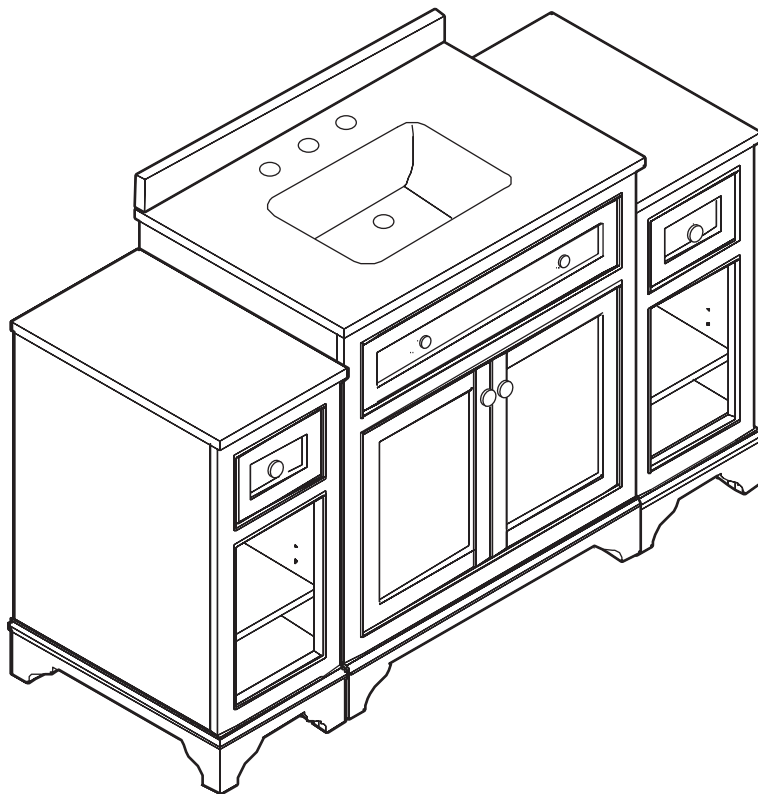


**HOME
DECORATORS
COLLECTION**

Item # 000-000
Model # MD-V036-2017-GR
MD-V036-2017-WH

USE AND CARE GUIDE

30 INCH SINGLE BATH VANITY (3PC COMBINE)



Questions, problems, missing parts? Before returning to the store,
call Home Decorators Collection Customer Service
8 a.m. - 7 p.m., EST, Monday - Friday, 9 a.m.- 6 p.m., EST, Saturday

1-800-986-3460

HOMEDEPOT.COM/HOMEDECORATORS

THANK YOU


We appreciate the trust and confidence you have placed in Home Decorators Collection through the purchase of this vanity. We strive to continually create quality products designed to enhance your home. Visit us online to see our full line of products available for your home improvement needs. Thank you for choosing Home Decorators Collection!

Table of Contents

Table of Contents	2	Tools Required	3
Safety Information	2	Package Contents	4
Warranty	2	Installation	5
Pre-Installation	3	Maintenance	7
Planning Installation	3	Care & Cleaning	7
Vanity and Countertop Dimensions	3	Service Parts	8

Safety Information

- Read and understand these instructions before attempting to assemble, install, or use this product.

 **WARNING:** Handle with care. Do not drop or handle roughly as this will damage the vanity.

Warranty

ONE YEAR WARRANTY

This warranty applies to vanities installed for commercial and residential use. The distributor warrants that, when installed in accordance with the Recognized Plumbing Industry Practice, the vanities are free of manufacturing defects for a period of one (1) year from the date of purchase.

We guarantee your satisfaction with each vanity. Should any vanity not meet your satisfaction due to a visual defect, simply return it to your retailer with the original packaging, prior to installation, for a repayment.

This warranty applies only to the original purchaser and installation site and is not transferable.

Contact the Customer Service Team at 1-800-986-3460 or visit www.HomeDepot.com/HomeDecorators.

Pre-Installation

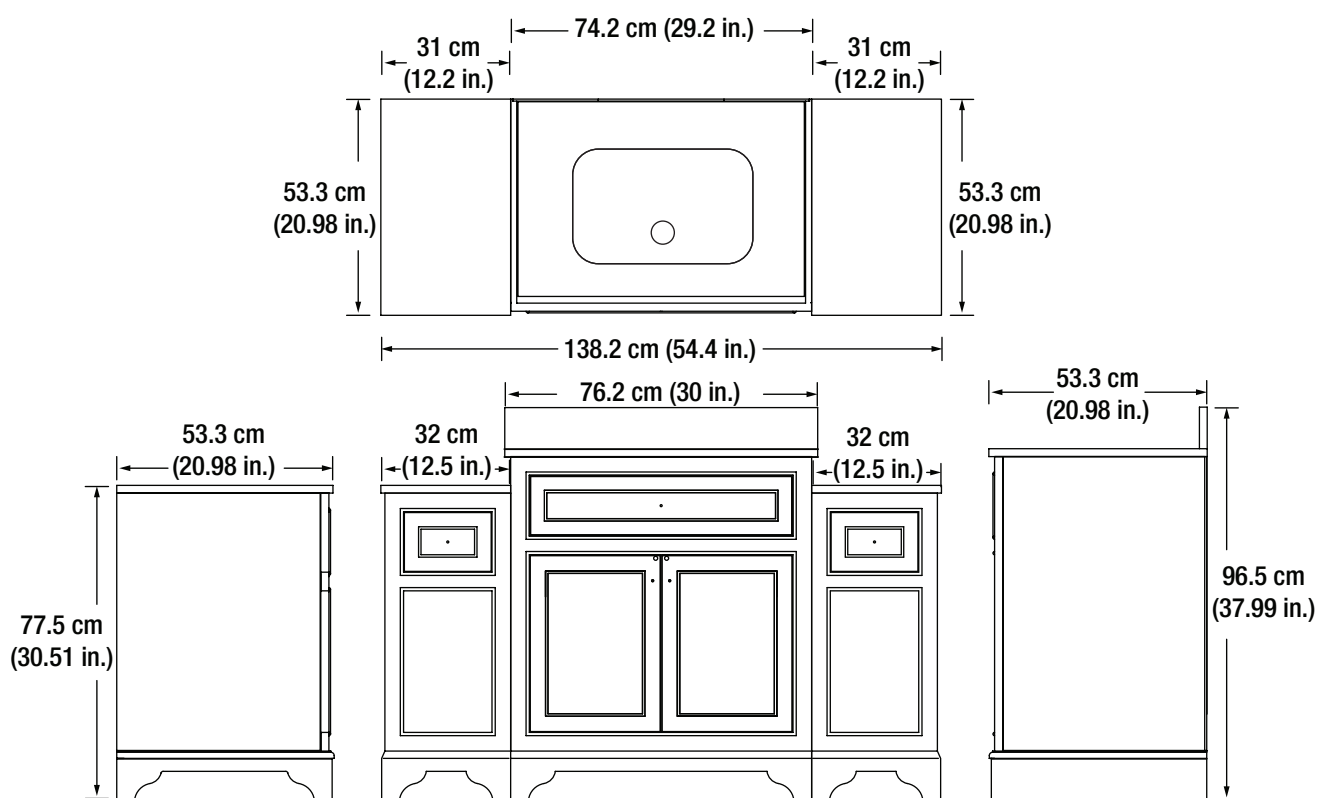
PLANNING INSTALLATION

Check the vanity for damage before installation. If any part of the vanity is missing or damaged, contact the Customer Service Team at 1-800-986-3460.

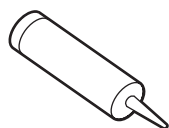
Ensure that the vanity location is accessible to water supply and drain lines. It is recommended that you rough-in the water lines and drain before installing the vanity.

 **NOTE:** A drain pipe and trap are not included with this vanity.

VANITY AND COUNTERTOP DIMENSIONS



TOOLS REQUIRED



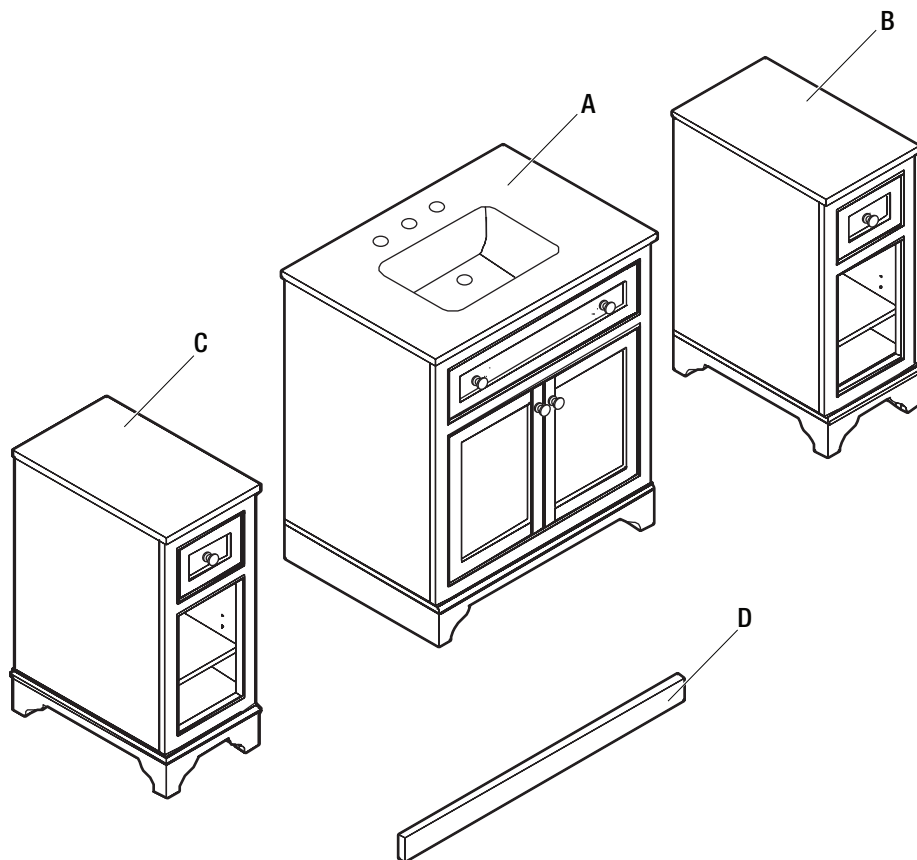
Silicone



Phillips
Screwdriver

Pre-Installation (continued)

PACKAGE CONTENTS

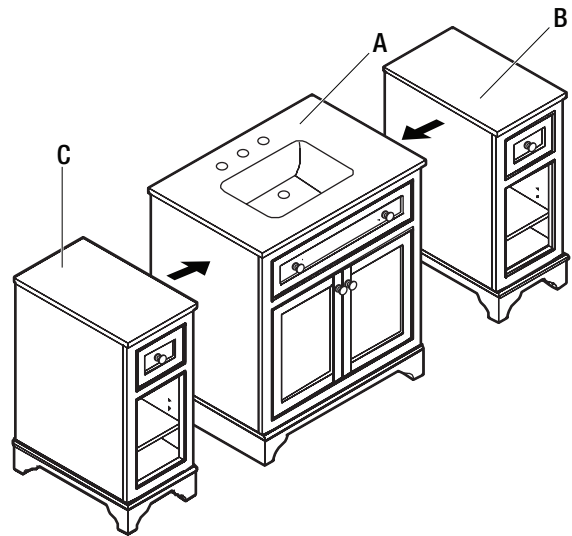


Part	Description	Quantity
A	Middle vanity	1
B	Left side cabinet	1
C	Right side cabinet	1
D	Backsplash	1

Installation

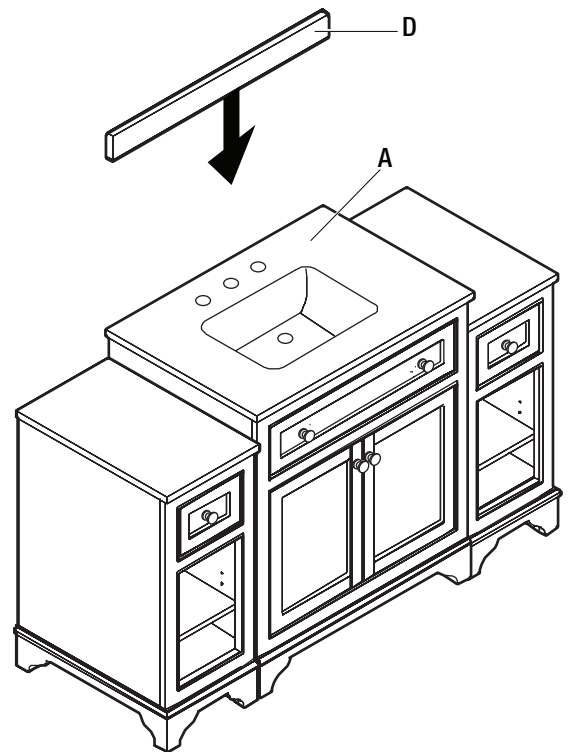
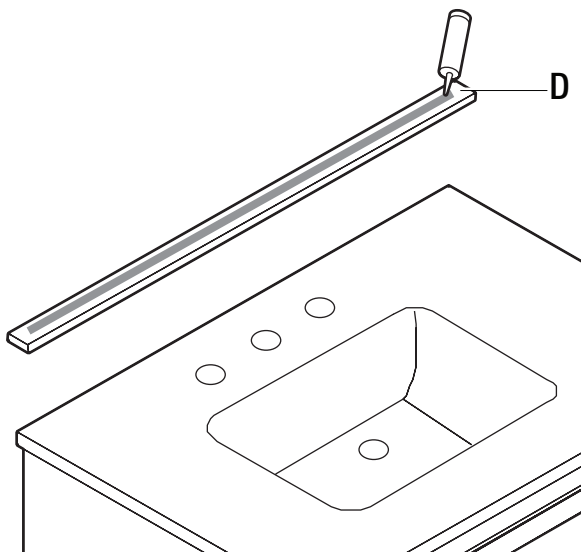
1 Placing the side cabinets

- Align the left side cabinet (B) and the right side cabinet (C) with the middle vanity (A).
- Push the left side cabinet (B) and the right side cabinet (C) against the middle vanity (A).



2 Installing the backsplash

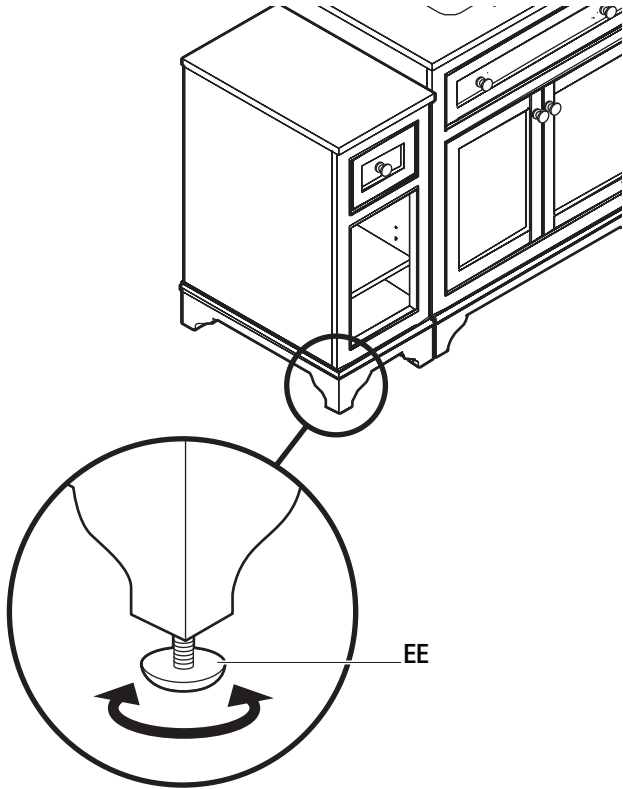
- Apply silicone to the back of the backsplash (D).
- Place the backsplash (D) on the middle vanity (A). Be sure to align the backsplash (D) with the top of the middle vanity (A).
- Press the backsplash (D) onto the wall.
- Allow the silicone to dry before using the vanity.



Installation

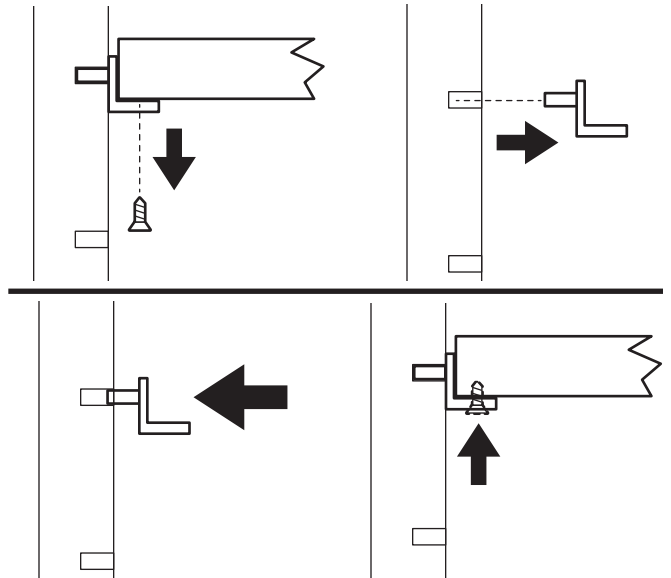
3 Adjusting the levelers

- Adjust the leg levelers to ensure that the vanity is even.



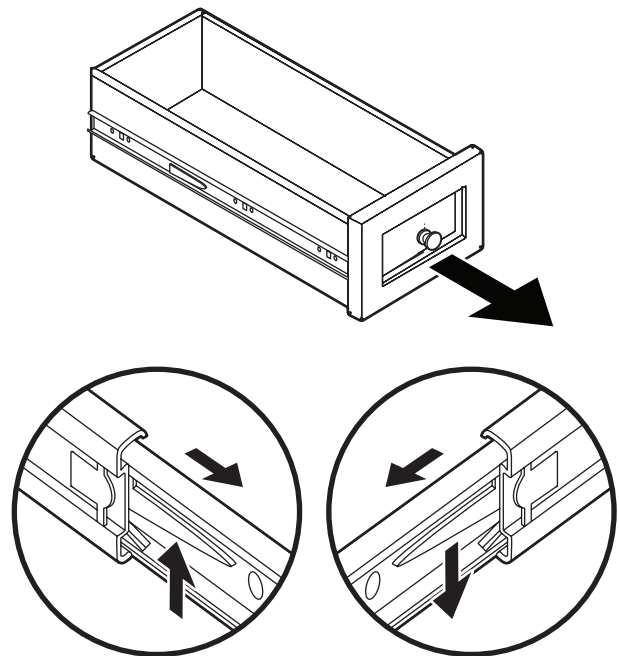
4 Adjusting the shelves

- Remove the shelf screws securing the shelf to the shelf bracket.
- Remove the shelf from the vanity.
- Insert the shelf brackets into the desired holes. Ensure that all the shelf brackets are level.
- Gently insert the shelf into the vanity and secure it to the shelf brackets using the shelf screws.



5 Removing the drawers

- Open the drawer as far as possible.
- Simultaneously, press the right side spring clip downward and the left side spring clip upward.
- Once both spring clips are held in the indicated position, pull the drawer straight out.



Maintenance

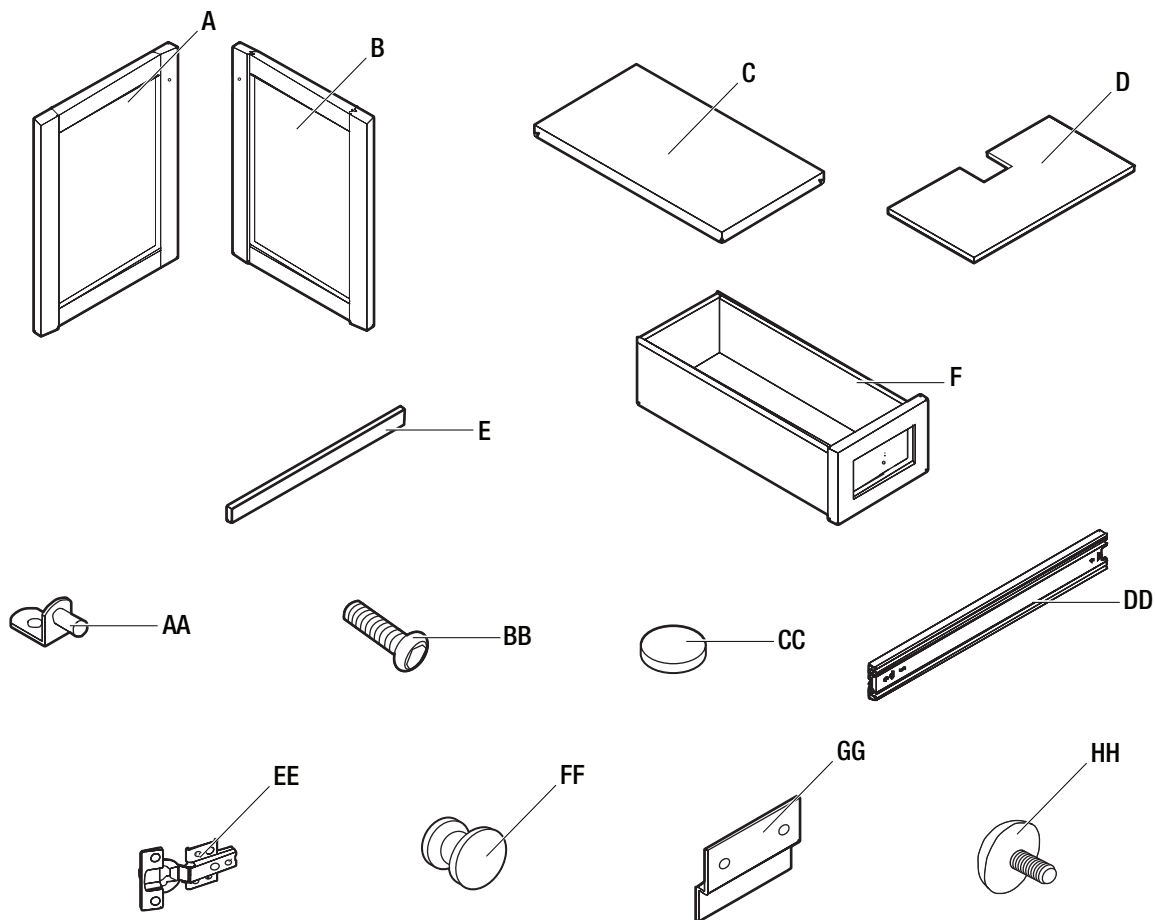
- If your furniture is stained or otherwise damaged during use, contact a professional for repairs.
- Check the bolts or screws periodically and tighten them if necessary.

Care and Cleaning

- Dust the surface using a soft, clean cloth.
- The use of furniture polish is not necessary. If you chose to use furniture polish, test the polish in an inconspicuous area before applying the polish over the entire surface of the vanity.
- Do not use solvents or water to clean the vanity, as these may damage the finish of the vanity.
- Always use coasters under beverage glasses and flowerpots.
- Remove liquid spills immediately. Use a soft, clean cloth to gently blot the spill. Avoid rubbing.
- Always use protective pads under hot dishes and plates. Heat can cause chemical changes which may create spotting within the furniture finish.
- Use care as stains or marks from crayons or ink markers will be difficult to remove.
- Immediately clean red wine or soda stains within 30 minutes or the surface will stain.

Service Parts

MODEL TYPE



Part	Description	Quantity
A	Left door	1
B	Right door	1
C	Side cabinet adjustable shelf	2
D	Middle vanity adjustable shelf	1
E	Backsplash	1
F	Drawer	2

Part	Description	Quantity
AA	Shelf pin	12
BB	Bolt	6
CC	Clear bumper	2
DD	Drawer slide set	2
EE	Hinge	4
FF	Knob	6
GG	Door stopper	1
HH	Leveler	12

HOME DECORATORS COLLECTION

Questions, problems, missing parts? Before returning to the store,
call Home Decorators Collection Customer Service
8 a.m. - 7 p.m., EST, Monday - Friday, 9 a.m.- 6 p.m., EST, Saturday

1-800-986-3460

HOMEDEPOT.COM/HOMEDECORATORS

Retain this manual for future use.