

# Assembly Instructions: 4309-FM (Mercer)

## IMPORTANT:

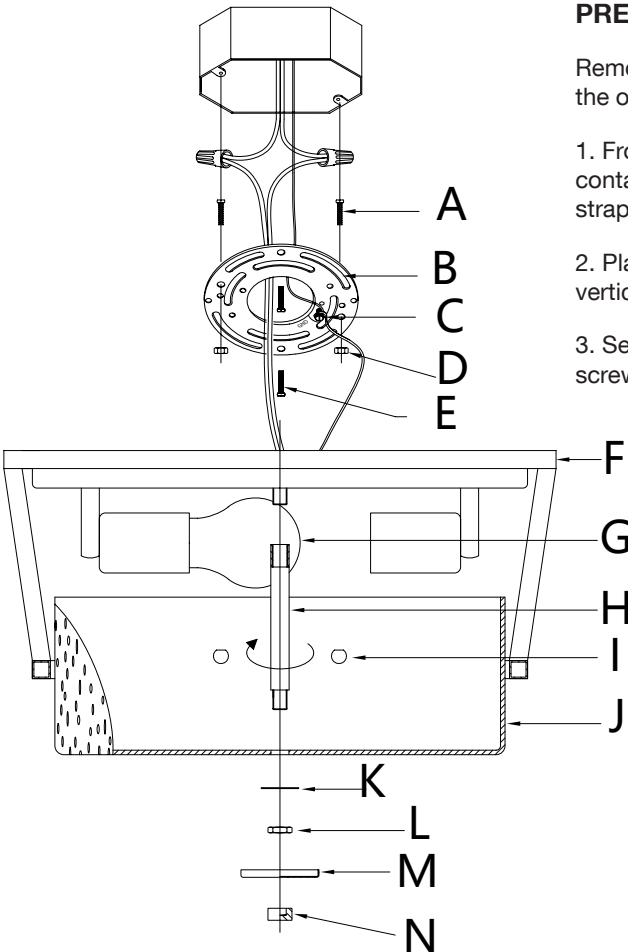
- ALL INSTALLATION WORK SHOULD BE DONE BY ACCREDITED PROFESSIONAL.
- SHUT OFF POWER SUPPLY AT FUSE OR CIRCUIT BREAKER!
- USE ONLY THE SPECIFIED BULBS. DO NOT EXCEED THE MAXIMUM WATTAGE!

**For Customer Service, contact the place of purchase.**

## PREPARING FOR INSTALLATION

Remove all of the contents from the carton. See the important notes above. Remove the old fixture from the ceiling, including the old mounting strap.

1. From the parts bag remove the mounting strap assembly. Mounting strap (B) contains threaded holes. Two of mounting screws (A) should be attached to mounting strap (B). You may need to tighten nuts (C) that hold these screws in place.
2. Place mounting strap (B) over the junction box so that mounting screws (A) are vertical, and in alignment with the locations of the holes ceiling pan (G).
3. Secure mounting strap (B) to the junction box with mounting screws (D) and a screwdriver. Tighten the screws securely.



## CONNECTING THE WIRES

4. Have an assistant support the fixture's weight while completing the wiring. Cut away the excess wires. Thread the fixture's wires through the canopy loop and nipple. Refer to the wiring diagram and attach the fixture's wires to the power supply wires from the junction box. Connect Hot to Hot, Neutral to Neutral, and Ground to Ground. Twist the ends of the wire pairs together, and then twist on a wire connector. Make sure all twists are in the same direction. If there is no house ground wire coming from the junction box, locate ground screw (E) on the mounting bracket/mounting strap and wrap the fixture's ground wire around the ground screw. Use a screwdriver to tighten the top of ground screw (E) onto the wires and into the mounting bracket/mounting strap. Tuck the wires into the junction box.

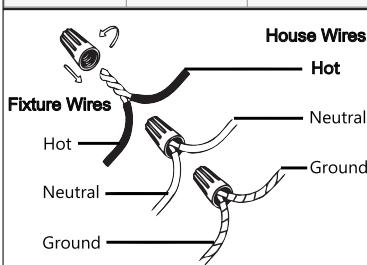
## FINISHING THE INSTALLATION

5. Lift ceiling pan (G) up to the ceiling and position the ceiling pan so that mounting screws (A) protrude through the holes in the ceiling pan.
6. Tightly thread nuts (F) onto the exposed threads of mounting screws (A).
7. Install light bulbs (not provided) in accordance with the fixture's specifications. Do not exceed the maximum wattage.
8. Raise glass shade (J) up and over coupler (H) which is at the center of the ceiling pan.
9. Secure the glass in place with washer (K), hex nut (L), bottom cap (M) and bottom finial (N). Twist tightly.

Your installation is now complete. Turn on the power and test the fixture.

### How to Identify the Fixture's Wires

Hot	Neutral	Ground
Smooth	Ribbed	Bare Metal, Green, or Green Inner Thread
Black	White	
Black Inner Thread	White Inner Thread	



## CLEANING TIPS

Treat the fixture gently! Regular cleaning will reduce the need for deep cleaning. For regular cleaning, turn off the light and wipe down the fixture with a clean lint-free cotton or microfiber cloth. Never spray cleaner directly onto the fixture.