

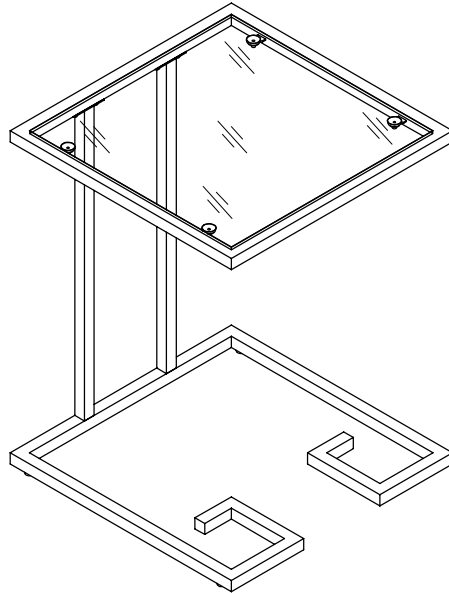


CAROLINA FORGE

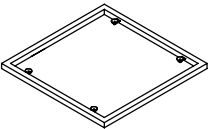


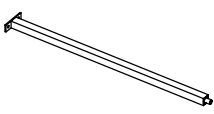

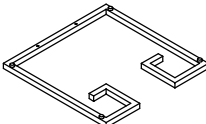
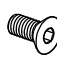
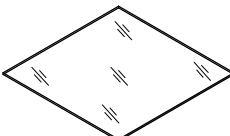

Assembly Instructions

Item # CF1818G

Accent Table



Thank you for purchasing a Carolina Forge company product. This product has been designed for easy assembly and is constructed for durability. Please take the time to read and follow the assembly instructions carefully. If a part or hardware is missing or you have any difficulties in assembling this product, please contact us Toll Free 1-800-228-3876.

NO.	PART	DESCRIPTION	Q'TY	NO.	PARTS	DESCRIPTION	Q'TY
A		Metal Frame	1PC	E		Allen Head Bolt 1/4" x 5/8"	4PCS
				F		Spring Washer Ø10	4PCS
B		Metal Rail	2PCS	G		Flat Washer Ø12*T1.0	4PCS
C		Base Frame	1PC	H		Allen Head Bolt 1/4" x 5/8"	2PCS
D		Glass Top	1PC	J		Allen Head Wrench 4MM	1PC



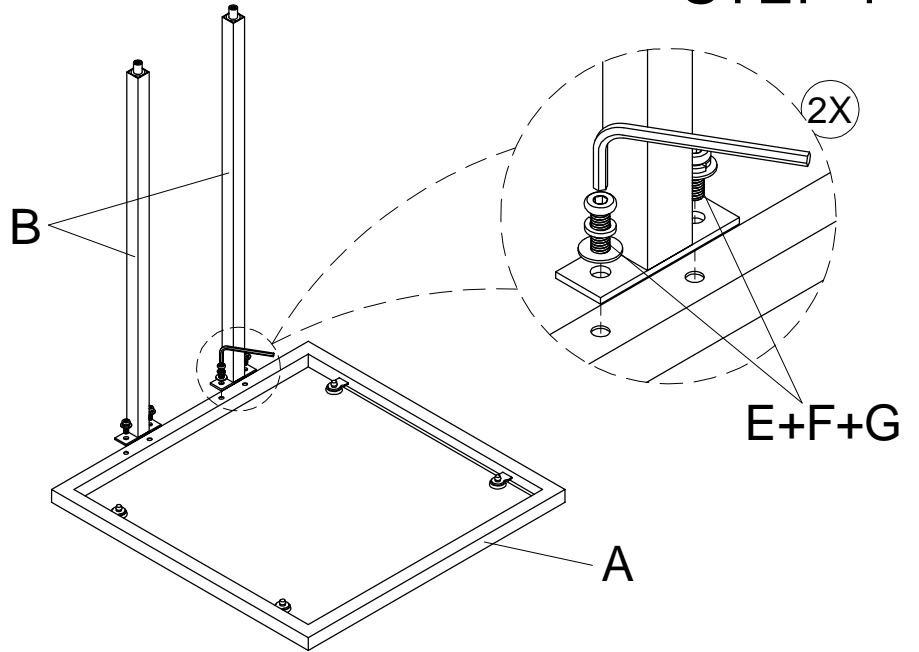
CAROLINA FORGE

Assembly Instructions

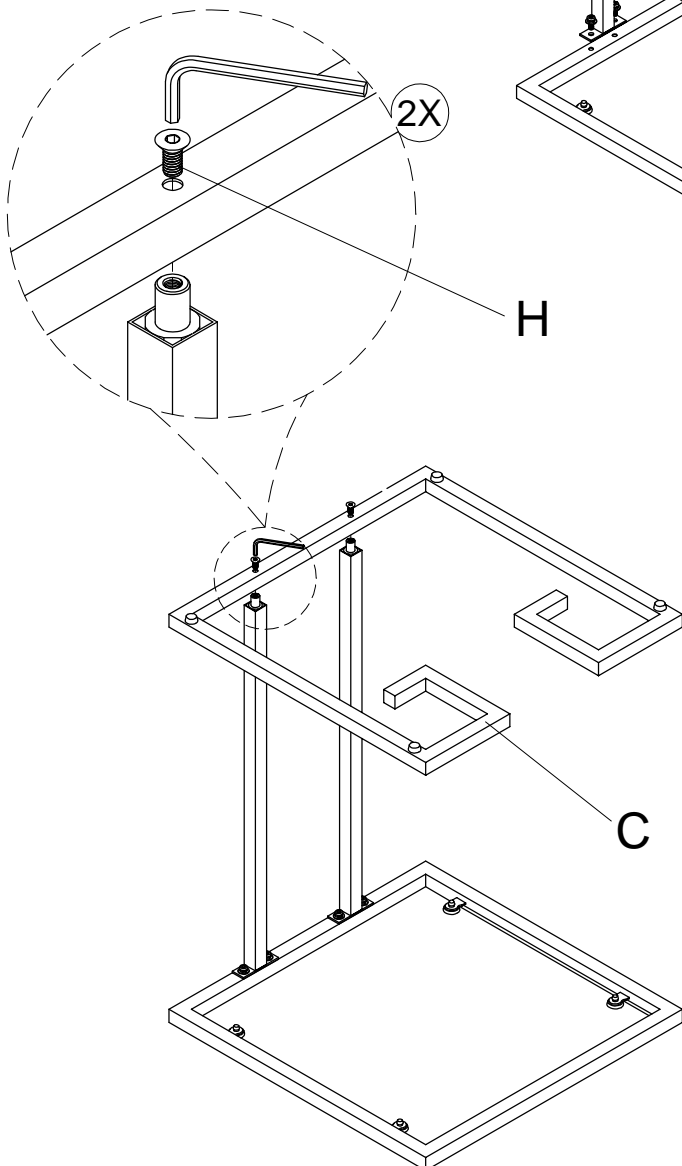
Item # CF1818G

Accent Table

STEP 1



STEP 2



STEP 3

