

FRIGIDAIRE GALLERY

FGMC3066U D/F

MICROWAVE COMBINATION OVENS 30" ELECTRIC

Smudge-Proof
STAINLESS STEEL

Smudge-Proof
BLACK STAINLESS STEEL



AVAILABLE COLORS



Black
Stainless



Stainless

PRODUCT DIMENSIONS

Height (Max.)	42-4/5"
Width	30"
Depth	24-3/4"

MORE EASY-TO-USE FEATURES

Smudge-Proof® Stainless Steel

Resists fingerprints and cleans easily. Available in Stainless Steel and Black Stainless Steel finishes.

Our Largest Capacity Oven

Cook more at once with 5.1 cubic feet of oven capacity.

Over 30 Setting Options

Offers multiple settings to meet your cooking needs, including chicken nuggets and snacks.

Easy to Clean with Self-Cleaning

Your oven cleans itself - so you don't have to. Self clean options available in 2, 3, and 4-hour cycles.

Effortless™ Reheat

Reheat almost anything at the touch of a button.

One-Touch Keep Warm Setting

Just one touch of a button keeps food warm until everything - and everyone - is ready.

Delay Clean Option

Set the oven to begin cleaning on your schedule.

Steam Cleaning

A 30-minute light oven cleaning that's chemical-free, odor-free, and fast.

CERTIFICATIONS

Star-K® Certified (*Sabbath Mode*)

SIGNATURE FEATURES

Faster, More Even Baking Results with True Convection

Get faster, more even multi-rack baking with a powerful convection fan and third heating element that evenly circulates hot air throughout the oven.

Effortless™ Temperature Probe

The Effortless™ Temperature Probe detects and alerts when the desired finished cooking temperature has been reached and automatically switches to the keep warm setting.

Quick Preheat

Preheat in just a few minutes.¹

Sensor Cooking Options

Microwave automatically adjusts power levels and cooking times to cook a variety of items, effortlessly.

¹ Based on single rack cooking performance, not set temperature, using Quick Preheat.

FGMC3066U D/F MICROWAVE COMBINATION OVEN

30" ELECTRIC

FRIGIDAIRE
GALLERY

FEATURES

Control/Timing System	Express-Select® Controls
Exterior Door Finish	Smudge-Proof® Stainless Steel (F), Smudge-Proof® Black Stainless (D)
Handle Design	Stainless Steel (F), Black Stainless (D)

MICROWAVE FEATURES

Microwave Capacity (Cu. Ft.)	1.6
Watts (IEC-705 Test Procedure)	1,100
Window	Large
Interior Light	Yes
Interior Color	White
Turntable Diameter	13.5"
Turntable On / Off	
Control Lock / Clock	Yes/Yes
Touch Pad Buttons / Power Levels	28/11

MICROWAVE CONTROL OPTIONS

Popcorn Button	Yes
Veggies Button (Fresh/Frozen)	2
Potato Button	Yes
Reheat Button	Yes
Auto Melt / Soften Options	4
Auto Reheat Options	3
Auto Cook Options	3
Auto Defrost Options	3
Add-30-Seconds	Yes
Sensor Cooking Options	4
Delay Start / User Preferences	Yes/Yes

OVEN FEATURES

Capacity (Cu.Ft.)	5.1
Oven Window	Large
Oven Lights	2 Halogen
Hidden Bake Element	Yes
Convection System	True Convection
Baking System	Even Baking Technology
Broiling System	Vari-Broil™ (Hi/Lo)
Quick Preheat	Yes
Bake / Broil Element (Watts)	2,200 / 4,000
Oven Rack Configuration	1 Extension Glide Rack / 1 Handle Rack
Oven Cleaning System	Self Clean / Steam Clean

OVEN CONTROLS

Control Lock	Yes
Delay Start	Yes
Convection Conversion	Effortless™
Effortless™ Temperature Probe	Yes
Keep Warm / Add-a-Minute	Yes/No

OPTIONAL ACCESSORIES

3"-High Bottom Trim - Stainless Steel (F) / Black Stainless Steel (D)	(F) PN # 5304520627 (D) PN # 5304520624
10'-Long Armored Power Cable	PN # 903056-9010

CERTIFICATIONS

Star-K® Certified (Sabbath Mode)	Yes
----------------------------------	-----

SPECIFICATIONS

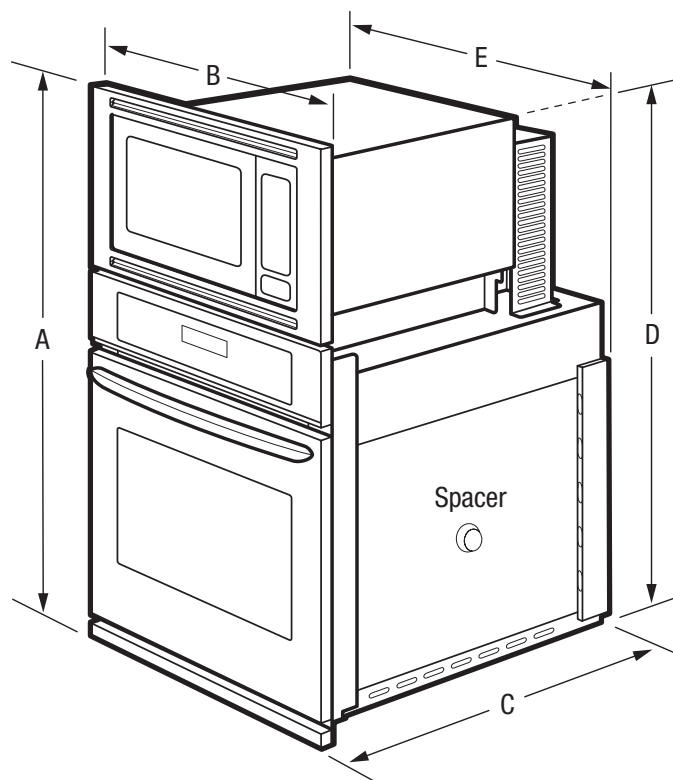
Microwave Oven Interior (H x W x D)	10-1/2" x 17-3/8" x 18-5/8"
Oven Interior (H x W x D)	18-5/8" x 24-1/8" x 19-1/2"
Power Supply Connection Location	Left Bottom Rear
Voltage Rating	240V / 208V / 60Hz
Connected Load (kW Rating) @ 240 / 208 Volts ¹	7.9 / 5.9
Amps @ 240 / 208 Volts	30.38 / 35.25
Minimum Circuit Required (Amps)	30
Shipping Weight (Approx.)	300 Lbs.

PRODUCT DIMENSIONS

A - Height (Max.)	42-4/5"
B - Width	30"
C - Depth	24-3/4"
D - Height (Wrapper)	40 4/5"
E - Width (Wrapper)	28-1/4"
Depth with Door Open 90°	45-1/8"

CABINET CUTOUT DIMENSIONS

Height (Min.) / (Max.)	41-1/8" / 41-1/4"
Width (Min.) / (Max.)	24-7/8" / 25-1/4"
Depth (Min.)	23-3/4"



¹Single phase 3- or 4-wire cable, 120 / 240 or 120 / 208 Volt, 60 Hertz AC only electrical supply with ground required on separate circuit fused on both sides of line.

Note: For planning purposes only. Always consult local and national electric, gas and plumbing codes. Refer to Product Installation Guide for detailed installation instructions on the web at frigidaire.com / frigidaire.ca.

Specifications subject to change. Accessories information available on the web at frigidaire.com / frigidaire.ca

FRIGIDAIRE

USA • 10200 David Taylor Drive • Charlotte, NC 28262 • 1-800-FRIGIDAIRE • frigidaire.com
CANADA • 5855 Terry Fox Way • Mississauga, ON L5V 3E4 • 1-800-265-8352 • frigidaire.ca

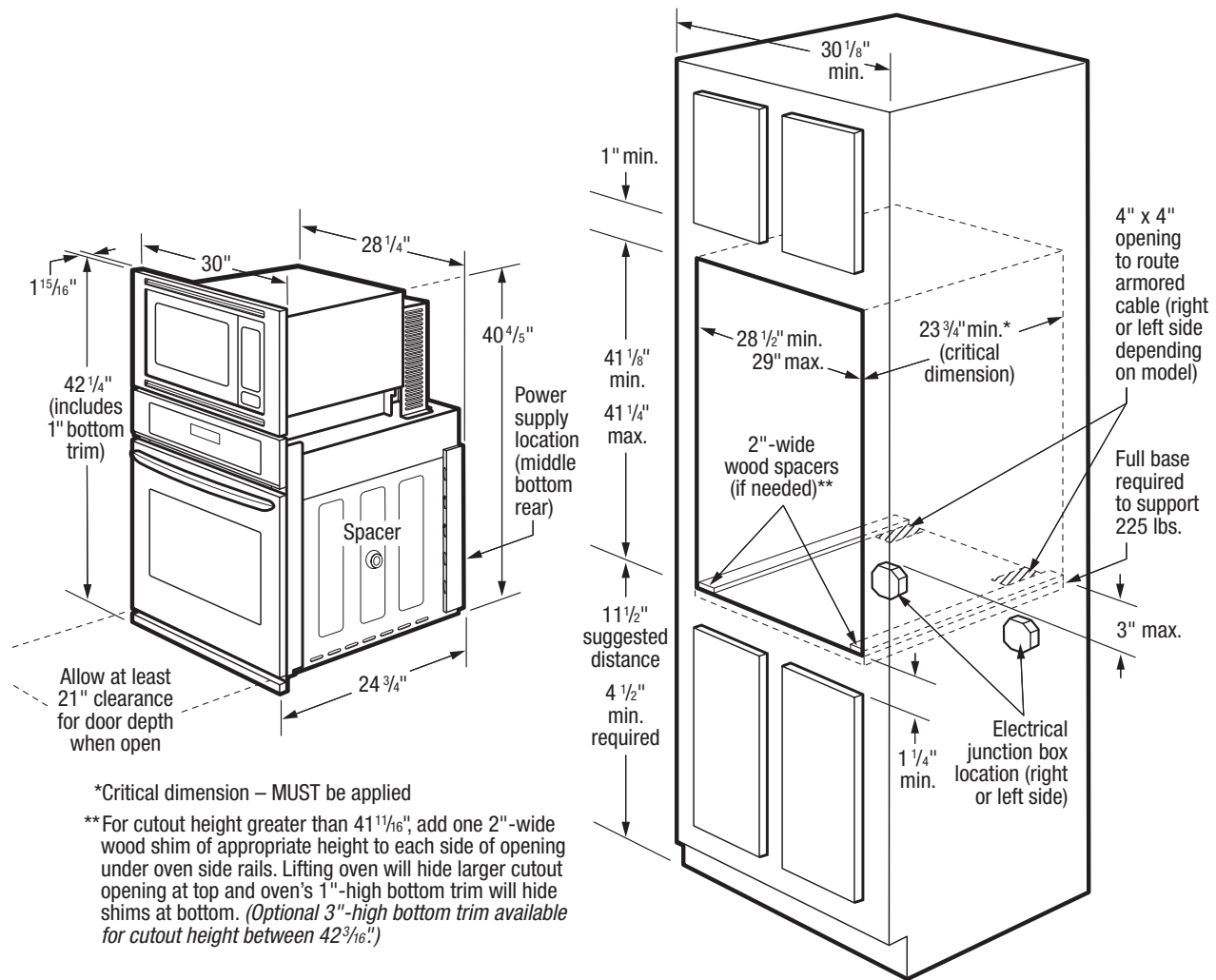
FGMC3066U 02/19

©2019 Electrolux Home Products, Inc.

FGMC3066U D/F MICROWAVE COMBINATION OVEN

30" ELECTRIC

FRIGIDAIRE
GALLERY



INSTALLATION SPECIFICATIONS

- Product Shipping Weight (approx.) - 300 Lbs.
- Single phase 3- or 4-wire cable, 120 / 240 or 120 / 208 Volt, 60 Hertz AC only electrical supply with ground required on separate circuit fused on both sides of line.
- Connected Load (kW Rating) @ 240 / 208 Volts = 7.9 / 5.9 kW
- Amps @ 240/208 Volts = 30.38 / 35.25
- Recommended Circuit Breaker - 30 Amps
- Always consult local and national electric codes.
- Minimum 21" clearance for oven door depth when open.
- Suggested distance from floor is 11-1/2". Minimum required distance is 4-1/2".
- To adapt Microwave Combination Oven to fit cutout height greater than 41-11/16", add one 2"-wide wood shim of appropriate height to each side of opening under oven side rails. Lifting oven will hide larger cutout opening at top and oven's 1"-high bottom trim will hide shims at bottom. (Standard 1"-High Bottom Trim included.)

- To adapt Microwave Combination Oven to fit cutout height greater than 42-3/16", optional 3"-High Bottom Trim available.
- Minimum 24" deep cutout dimension is critical for proper installation, to ensure that oven's faceplate will fit flush against cabinet front.
- Full oven base of solid plywood or similar material required, capable of supporting 225 Lbs.
- Base must be level and cabinet front must be square.
- Microwave Combination Ovens are NOT approved to be used in stackable or side-by-side installation.

OPTIONAL ACCESSORIES

- 3"-High Stainless Steel Bottom Trim - (PN # 5304520627).
- 3"-High Black Stainless Bottom Trim - (PN # 5304520624).
- 10'-Long Armored Power Cable - (PN # 903056-9010).



FRIGIDAIRE

USA • 10200 David Taylor Drive • Charlotte, NC 28262 • 1-800-FRIGIDAIRE • frigidaire.com
CANADA • 5855 Terry Fox Way • Mississauga, ON L5V 3E4 • 1-800-265-8352 • frigidaire.ca

Note: For planning purposes only. Always consult local and national electric, gas and plumbing codes. Refer to Product Installation Guide for detailed installation instructions on the web at frigidaire.com / frigidaire.ca. Specifications subject to change. Accessories information available on the web at frigidaire.com / frigidaire.ca

FGMC3066U 02/19
©2019 Electrolux Home Products, Inc.