

# WESTON

RECONNECT WITH REAL FOOD

CAUTION:  
NEVER OPERATE GRINDER WITHOUT THE  
TRAY SECURED IN PLACE  
NEVER REACH INTO ANY GRINDER INLET.

UL US  
LISTED  
Meat Grinder  
32 AP

CLASSIFIED  
UL  
EPH

ANSI / NSF 8  
Commercial Powered  
Food Preparation  
Equipment  
< 33Z1 >

pro series™

# MEAT GRINDERS

10-0501-W (#5 MEAT GRINDER)

10-0801-W (#8 MEAT GRINDER)

10-1201-W (#12 MEAT GRINDER)

10-2201-W (#22 MEAT GRINDER)

10-3201-W (#32 MEAT GRINDER)

DUE TO CONSTANT FACTORY IMPROVEMENTS, THE PRODUCT PICTURED MIGHT DIFFER SLIGHTLY FROM THE PRODUCT IN THIS BOX. 042616

GENERAL SAFETY RULES .....	4
COMPONENT LIST .....	6
UNPACKING INSTRUCTIONS .....	8
GROUNDING INSTRUCTIONS .....	8
CLEANING INSTRUCTIONS .....	9
GRINDER ASSEMBLY INSTRUCTIONS .....	10
GRINDING INSTRUCTIONS .....	11
STANDARD STUFFER ASSEMBLY INSTRUCTIONS .....	12
HIGH-SPEED STUFFER ASSEMBLY INSTRUCTIONS .....	13
STUFFING INSTRUCTIONS .....	14-15
REVERSE FUNCTION .....	15
CIRCUIT BREAKER INSTRUCTIONS .....	16
AUGER GRABBING STOPPER INSTRUCTIONS .....	17
FOOD SAFETY .....	18
SAUSAGE INFORMATION .....	19
WARRANTY .....	20
REGLAS IMPORTANTES SEGURIDAD .....	23
DESCRIPTION DE LA PIÈCE .....	24
INSTRUCCIONES PARA EL DESEMPAQUE .....	26
INSTRUCCIONES PARA HACER TIERRA .....	26
INSTRUCCIONES DE LIMPIEZA .....	27
INSTRUCCIONES DE ENSAMBLE DEL MOLINO .....	28
INSTRUCCIONES PARA MOLER .....	29
RELLENADOR ESTÁNDAR INSTRUCCIONES DE ENSAMBLADO .....	30
ALTA VELOCIDAD DE INSTRUCCIONES DE MONTAJE EMBUTIDORA .....	31
INSTRUCCIONES DE RELLENADO .....	32-33
FUNCIÓN DE REVERSA .....	33
INSTRUCCIONES PARA EL CORTADOR DE CIRCUITOS .....	34
INSTRUCCIONES PARA EL PRENSADORRETIRA EL SINFIN .....	35
SEGURIDAD DE LOS ALIMENTOS .....	36
INFORMACIÓN DE LA SALCHICHA .....	37
INFORMACIÓN DE GARANTÍA WESTON .....	38
IMPORTANTES RÈGLES DE SÉCURITÉ .....	41
DESCRIPTION DE LA PIÈCE .....	42
INSTRUCTIONS DE DÉBALLAGE .....	44
INSTRUCTIONS DE MISE À LA TERRE .....	44
INSTRUCTIONS DE NETTOYAGE .....	45
INSTRUCTIONS POUR COUPER LA PÂTELE MONTAGE D'UN HACHOIR .....	46
INSTRUCTIONS POUR HACHER .....	47
INSTRUCTIONS D'ASSEMBLAGE D'UN REMPLISSEUR STANDARD .....	48
REMP LISSEUR HAUTE VITESSE INSTRUCTIONS D'ASSEMBLAGE .....	49
INSTRUCTIONS DE BOURRAGE .....	50-51
FONCTION DE MARCHÉ ARRIÈRE .....	51
INSTRUCTIONS RELATIVES AU DISJONCTEUR .....	52
INSTRUCTIONS POUR PILON D'EXTRACTION DE LA VRILLE .....	53
SÉCURITÉ ALIMENTAIRE .....	54
INFORMATIONS SUR LES SAUCISSES .....	55
INFORMATION SUR LA GARANTIE .....	56

A black, downward-pointing arrow shape with a white border. The word "WARNING!" is written in large, bold, white capital letters in the center.

# WARNING!

**NEVER** operate **Grinder**  
without the **Tray/Safety Guard**  
secured in place.

**To avoid serious or fatal injury,**  
**NEVER** reach into any  
**Grinder inlet.**

**ALWAYS** use the **Stomper** to  
push meat into the **Grinder**  
**Head.**

**Read & fully understand**  
**all instructions**  
**& warnings prior to use.**

# GENERAL SAFETY RULES

READ AND FULLY UNDERSTAND ALL INSTRUCTIONS AND WARNINGS PRIOR TO USING THIS UNIT. YOUR SAFETY IS MOST IMPORTANT! FAILURE TO COMPLY WITH PROCEDURES AND SAFE GUARDS MAY RESULT IN SERIOUS INJURY OR PROPERTY DAMAGE. REMEMBER: YOUR PERSONAL SAFETY IS YOUR RESPONSIBILITY!

- DO NOT** use the **Grinder** without the **Tray/ Safety Guard** secured into place.
- ALWAYS DISCONNECT** **Grinder** from power source before servicing, changing accessories or cleaning the unit.
- Plug the **Grinder** into a standard 120 Volt, 60 Hz wall outlet. Check if the voltage indicated on the appliance corresponds to the local voltage before you connect the appliance.
- DO NOT USE** the **Grinder** if the **Power Cord, Plug** or any other parts are damaged. If the **Power Cord** or the **Grinder** is damaged, call Customer Service. **DO NOT ATTEMPT TO REPLACE THE CORD.** Be sure to not allow the **Power Cord** to drape into your work area. Check that all parts are operating properly, and perform the intended functions. Check for alignment of moving parts or any other conditions that may affect the operation.
- NEVER** use any accessories or parts from other manufacturers. Doing so will VOID YOUR WARRANTY and may cause fire, electrical shock or injury.
- TO PROTECT AGAINST RISK OF ELECTRICAL SHOCK: **DO NOT SUBMERGE THE MAIN GRINDER BODY INTO WATER OR LIQUID. BE SURE THE GRINDER IS DISCONNECTED FROM THE POWER SOURCE BEFORE CLEANING.** Wash all parts by hand and thoroughly dry. Thoroughly clean all parts that will come in contact with food before using the appliance. **NEVER** rinse appliance **Grinder Motor** under tap, only use a moist cloth to clean the **Grinder Motor Unit.**
- Reduce risk of unintentional starting. Make sure the **Power Switch** is in the "OFF" position before attaching to the power source.
- KEEP FINGERS CLEAR of the Auger and Cutting Blades AT ALL TIMES. NEVER REACH INTO THE GRINDER,** doing so may cause serious injury. **ALWAYS USE THE PROVIDED STOMPER, NEVER FEED FOOD BY HAND.**
- NEVER** use fingers to scrape food away from the **Grinding Plate** while the **Grinder** is in operation. **SEVERE INJURY MAY RESULT.**
- NEVER OPERATE THE GRINDER UNATTENDED.** Be safe, **DISCONNECT** the **Grinder** from power source before leaving the work area. Close supervision is necessary when any appliance is used near children. This appliance is **NOT** to be used by children.
- Avoid contact with moving parts. Wait until all moving parts have stopped before you remove any part of the **Grinder.**
- TIE BACK** loose hair and clothing, and roll up long sleeves before operating the **Grinder.** **REMOVE** ties, rings, watches, bracelets, or other jewelry before operating the **Grinder.**
- Be sure the **Grinder** is on a stable work surface. Be sure all the **Grinder Feet** are stable.
- DO NOT** attempt to grind bones, nuts or other hard items. **DO NOT** let cord come in contact with a hot surface. **DO NOT** use on an oven or stove. Check if the voltage indicated on the appliance corresponds to the local voltage before you connect the appliance.
- DO NOT** run **Grinder** without meat in the **Head.** Severe damage to the **Head** and **Auger** may occur.
- WEAR EYE PROTECTION.** Wear safety glasses. Everyday eye glasses are not safety glasses. Safety glasses conform to ANSI Z87.1 requirements. Note: approved safety glasses have Z87 printed or stamped on them.
- DO NOT** use outdoors.
- DO NOT** use the **Grinder** while under the influence of drugs, medications or alcohol.
- DO NOT** let the **Power Cord** hang over edge of work surface.
- DO NOT** attempt to operate the **Grinder** if the **Grinder** itself is cold. The **Grinder** temperature should be at least 45°F (7°C) before beginning.
- The **Gear Housing** and the **Motor Cover** may become **HOT** during operation. This is normal. **DO NOT** touch these parts during operation or until they cool after use.
- WARNING:** Busted, splintered bones can get into the digestive tract of a pet and cause severe damage, even death by puncturing the walls of the intestines or even stomach
- Weston Pro Series Electric Meat Grinders (#22 and #32) are capable of grinding smaller, softer animal bones such as rabbit, whole chickens\* or chicken quarters, and other birds, due to both the power and all metal construction of the units.
- Avoid grinding large, dense animal bones as they are very difficult to process (i.e., bones one would find in large-game, pigs, or cows).

## SAVE THESE INSTRUCTIONS



CAUTION:  
NEVER OPERATE GRINDER WITHOUT  
TRAY AND TRAY GUARD SECURED IN  
NEVER REACH INTO ANY GRINDER H

32

# COMPONENT LIST

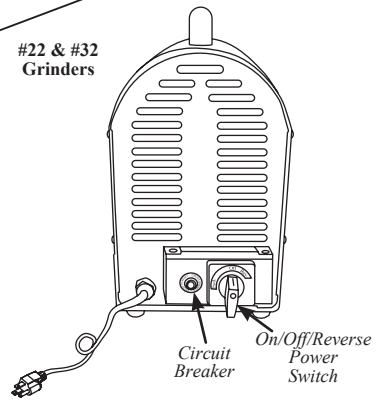
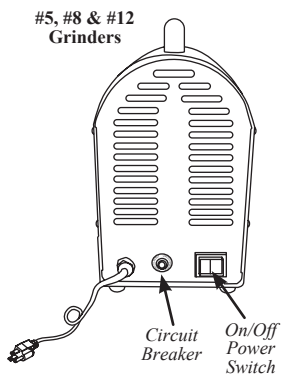
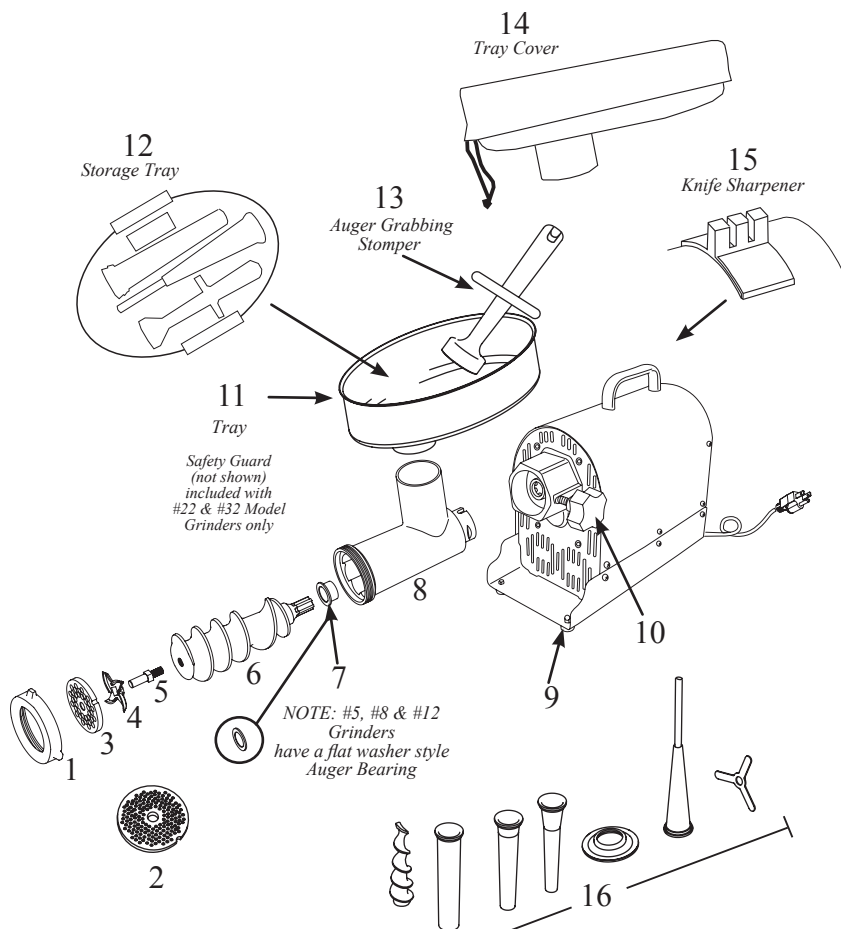
DIAGRAM NUMBER	PART DESCRIPTION	#5 10-0501-W	#8 10-0801-W	#12 10-1201-W	#22 10-2201-W	#32 10-3201-W
1	FRONT RING NUT	08-0542	08-0842	08-1242	08-2242	08-3242
2	4.5 MM GRINDER PLATE	29-0504	29-0804	29-1204	29-2204	29-3204
3	7 MM GRINDER PLATE	29-0507	29-0807	29-1207	29-2207	29-3207
4	GRINDING KNIFE	29-0550	29-0850	29-1250	29-2250	29-3250
5	AUGER PIN	08-0549	08-0849	08-1249	08-2246	08-3246
6	AUGER	08-0502-U	08-0802-U	08-1202	08-2202-N	08-3202-N
7	AUGER BEARING	08-0547	08-0847	08-0847	08-3047	08-3047
8	STAINLESS STEEL HEAD	08-0509-W	08-0809-W	08-1209	08-2209-W	08-3209-W
9	RUBBER FEET WITH NUTS (4)	08-2007	08-2007	08-2007	08-2007	08-2007
10	HEAD LOCKING KNOB	08-2005	08-2005	08-2005	08-2005	08-2005
11	STAINLESS STEEL TRAY	08-0524	08-0824	08-1224	08-2224	08-3224
12	STORAGE TRAY	08-0521	08-0821	08-1221	08-2221	08-3221
13	AUGER GRABBING STOMPER	09-0577	09-0877	09-0877	09-2277	09-2277
14	TRAY COVER	08-0522	08-0822	08-1222	08-2222	08-3222
15	KNIFE SHARPENER	08-0803	08-0803	08-0803	08-0803	08-0803
NOT SHOWN	SAFETY GUARD	N/A	N/A	N/A	08-2223	08-3223
16	STUFFER ASSEMBLY	08-2501-W	08-2501-W	08-2501-W	08-2501-W	08-2501-W

STUFFER ASSEMBLY
STUFFING STAR
10 MM SNACK STICK STUFFING FUNNEL
FLANGE
20 MM FUNNEL
30 MM FUNNEL
40 MM FUNNEL
HIGH SPEED AUGER

If any components of this unit are broken, the unit does not operate properly or you need a replacement instruction manual, visit us on the web at

**WestonProducts.com**

Or call Weston Brands LLC Toll Free at **1-800-814-4895**  
 Monday thru Friday 8:00am-5:00pm ET. Outside the U.S. call 001-216-901-6801



**WARNING!** Before cleaning, assembling or disassembling the Grinder, make sure the Grinder Motor is OFF and the PLUG IS REMOVED FROM THE OUTLET/POWER SOURCE!

## UNPACKING INSTRUCTIONS

- Remove all parts from packaging material and check to be sure there are no missing parts.
- Retain packaging material for storage of the Grinder and Grinder parts when not in use.

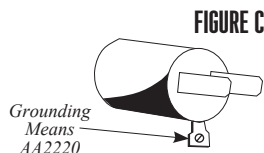
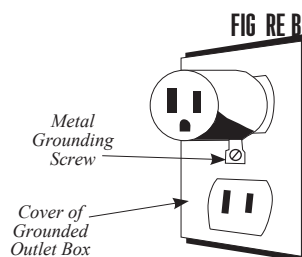
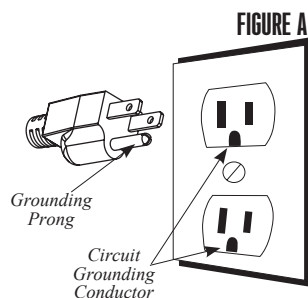
## GROUNDING INSTRUCTIONS

### GROUNDING

This appliance must be grounded while in use to protect the operator from electrical shock. The appliance is equipped with a 3-conductor cord and a 3-prong grounding type plug to fit the proper grounding-type receptacle. The appliance has a plug that looks like Figure A. An adapter, Figure B, should be used for connecting Figure A plugs to two-prong receptacles. The grounding tab which extends from the adapter must be connected to a permanent ground such as a properly grounded outlet box as shown in Figure C using a metal screw.

### EXTENSION CORDS

Use only 3-wire extension cords which have 3-prong grounding-type plugs and a 3-pole cord connector that accepts the plug from the appliance. Use only extension cords having an electrical rating not less than the rating of the appliance. Do not use damaged extension cords. Examine extension cord before using and replace if damaged. Do not abuse extension cord and do not yank on any cord to disconnect. Keep cord away from heat and sharp edges.





# CLEANING INSTRUCTIONS

**WARNING!** Before cleaning, assembling or disassembling the Grinder, make sure the Grinder Motor is OFF and the PLUG IS REMOVED FROM THE OUTLET/POWER SOURCE!

1. See page 17 for instructions on using the Auger Grabbing Stomper to disassemble the head.
2. Separate the head from the body.
3. Remove the Safety Guard from the Tray. Safety Guards only come with #22 and #32 Model Grinders.
4. Wash all parts that have come in contact with meat in hot soapy water. BE SURE TO CLEAN IMMEDIATELY AFTER USE. DO NOT IMMERSE THE MOTOR IN WATER OR OTHER LIQUIDS!
5. Rinse the Grinder parts with clean hot water, then dry them IMMEDIATELY.
6. Fully lubricate the Head, Plates and the Knife with a food grade silicone spray before and after each use.
7. Clean the Motor Cover and Gear Housing with a damp towel and wipe dry. DO NOT IMMERSE THE MOTOR IN WATER OR OTHER LIQUIDS!

**IMPORTANT:** Any metal parts should be coated with a food safe silicone spray to prevent rusting. If not properly protected, these parts can begin to rust very quickly. DO NOT use rusted parts. Ordering information can be found on the last page of this instruction manual.

8. Make sure the grinder and all components are completely dry before assembling or storing.

## WARNING!

**NEVER** operate Grinder without the Tray/Safety Guard secured in place.  
To avoid serious or fatal injury, **NEVER** reach into any Grinder inlet.  
**ALWAYS** use the Stomper to push meat into the Grinder Head.  
Read & fully understand all instructions & warnings prior to use.

# GRINDER ASSEMBLY INSTRUCTIONS

**WARNING!** Before cleaning, assembling or disassembling the Grinder, make sure the Grinder Motor is OFF and the PLUG IS REMOVED FROM THE OUTLET/POWER SOURCE!

1. Insert the Head into the Gear Housing with the Feed Chute facing straight up. You will need to line up the slot in the Head with the Pin inside the Gear Housing. Be sure the Head is seated fully into the Gear Housing (Figure 1).

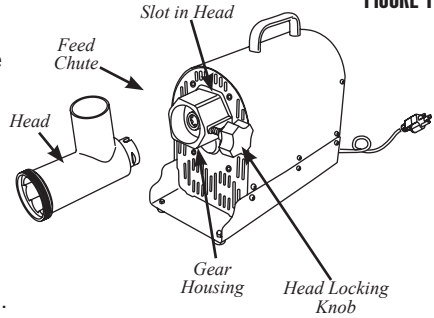


FIGURE 1

2. Tighten the Head Locking Knob to lock the Head into place.

3. Insert the Auger, with the Auger Bearing attached (already attached for #22, #32) into the Head (Figure 2). Align the Auger Splines with the Drive Shaft of the Grinder.

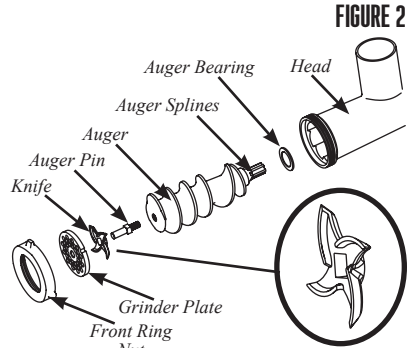


FIGURE 2

NOTE: Periodically inspect the Auger Bearing for wear. If the Auger Bearing has excessive wear, replace it to prevent head damage.

4. Place the Knife onto the square part of the Auger Pin (Figure 2). Be sure the blades of the Knife are facing outward.

5. Place one of the Grinder Plates onto the Auger Pin; align the notch in the Grinder Plate with the Pin in the Grinder Head.

6. Install the Front Ring Nut. DO NOT OVERTIGHTEN. Turn the Front Ring Nut until it makes contact with the Grinder Plate, then make 1/4 turn more to tighten into place.

NOTE! Be sure the blades of the Knife are facing out.

7. Insert the neck of the Tray into the Feed Chute (FIGURE 3).

8. NEVER operate Grinder without the Tray secured in place (FIGURE 3). REFER TO "GRINDING INSTRUCTIONS"

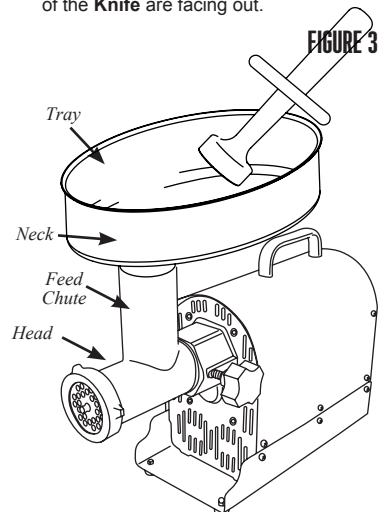


FIGURE 3

**WARNING!**  
See Safety  
Guard  
Instructions  
Prior to  
Operation!

# GRINDING INSTRUCTIONS

**WARNING!** Before cleaning, assembling or disassembling the Grinder, make sure the Grinder Motor is OFF and the PLUG IS REMOVED FROM THE OUTLET/POWER SOURCE!

1. Follow the “Grinder Assembly Instructions” to fully assemble the Grinder including the Tray.

NOTE: It is best to grind the meat using the coarse, 7 mm Grinding Plate first. If a finer grind of meat is desired, run the coarse ground meat through the Grinder a second time using the fine, 4.5 mm Grinding Plate.

2. Trim the meat of all cords, tendons, bones, shot, etc.

3. For best results, be sure that all meat has been chilled to between 32-34°F (0-1°C) before grinding. **DO NOT ALLOW MEAT TO SIT OUT AT ROOM TEMPERATURE LONGER THAN ABSOLUTELY NEEDED.** Closely follow the “Food Safety” instructions as outlined by the USDA.

4. Cut meat into sizes small enough to fit into the Feed Chute. Approximately 1” (2.5 cm) cubes.

5. Place cubed meat to be ground into the Tray. Do not overfill the Tray, place just enough meat to leave the Feed Chute area open.

6. Place a dish or bowl to collect the ground meat at the end of the Grinder Head (Figure 4).

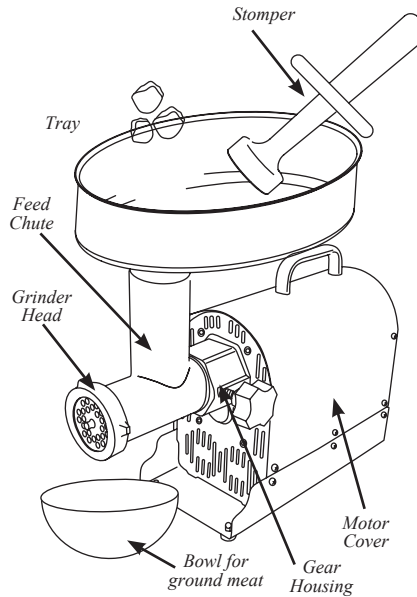
7. Make sure the Grinder is in the “OFF” position. Attach the Grinder to the power supply.

8. Switch the Grinder to the forward “FWD” position. Carefully start feeding cubes of meat into the Feed Chute. **ONLY USE THE STOMPER TO PUSH MEAT INTO THE HEAD, DO NOT USE YOUR FINGERS OR ANY OTHER OBJECT.**

**WARNING!**

NEVER operate Grinder without the Tray/Safety Guard secured in place. To avoid serious or fatal injury, NEVER reach into any Grinder inlet. ALWAYS use the Stomper to push meat into the Grinder Head. Read & fully understand all instructions & warnings prior to use.

FIGURE 4



HOT

**DO NOT TOUCH!**

The Gear Housing and the Motor Cover may become HOT during operation. This is normal. DO NOT touch these parts during operation or until they cool after use.

**CAUTION!** It is important to follow the “Food Safety” guidelines outlined in this manual. For the most up to date instruction visit the USDA website.

# STANDARD STUFFER ASSEMBLY INSTRUCTIONS

**WARNING!** Before cleaning, assembling or disassembling the Grinder, make sure the Grinder Motor is OFF and the PLUG IS REMOVED FROM THE OUTLET/POWER SOURCE!

1. Insert the Head into the Gear Housing with the feed chute of the Head facing straight up. You will need to line up the slot in the Head with the Pin inside the Gear Housing. Be sure the Head is seated fully into the Gear Housing. (FIGURE 5)

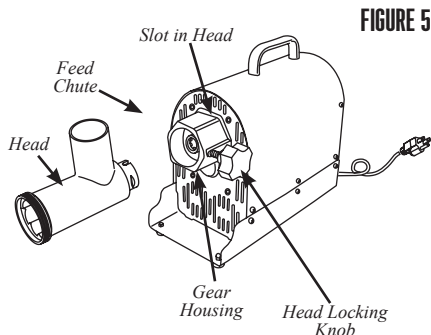


FIGURE 5

2. Tighten the Head Locking Knob to lock the Head into place.

3. Insert the Auger, with the Auger Bearing attached, into the Head (FIGURE 6). Align the Auger Splines with the Drive Shaft of the Grinder.

NOTE: Periodically inspect the Auger Bearing for wear. If the Auger Bearing has excessive wear, replace it to prevent head damage.

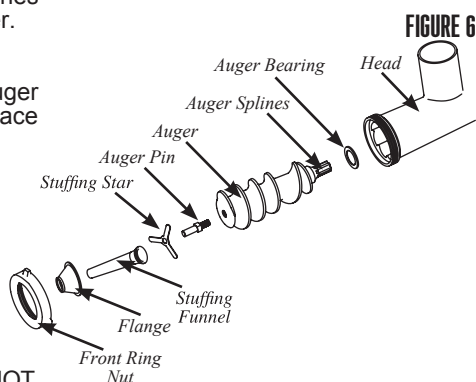


FIGURE 6

4. Slide the Stuffing Star over the round portion of the Auger Pin.

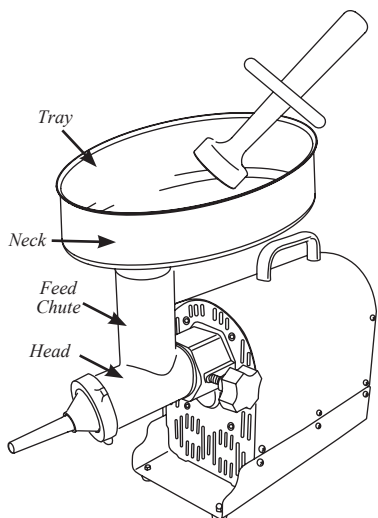
5. Slide one of the Stuffing Funnels through the Flange and place it through the Front Ring Nut.

6. Install the Front Ring Nut, DO NOT OVERTIGHTEN. Turn the Front Ring Nut until it makes contact with the Flange, then make 1/4 turn more to tighten into place.

FIGURE 7

7. Insert the neck of the Tray into the Feed Chute (FIGURE 7).

8. NEVER operate Grinder without the Tray secured in place (FIGURE 7).



REFER TO "STUFFING INSTRUCTIONS"

**WARNING!**  
See Safety Guard Instructions Prior to Operation!

# HIGH-SPEED STUFFER ASSEMBLY INSTRUCTIONS

**! WARNING!** Before cleaning, assembling or disassembling the Grinder, make sure the Grinder Motor is OFF and the PLUG IS REMOVED FROM THE OUTLET/POWER SOURCE!

NOTE: The High Speed Stuffing System is designed for use with the 10 mm Funnel ONLY. DO NOT attempt to use the High-Speed Plastic Auger with any other Funnels. SERIOUS DAMAGE to the Grinder Head and other components may occur. Follow the "Standard Stuffer Assembly Instructions" located in this manual, when using the 20, 30, or 40 mm Funnels.

1. Insert the Head into the Gear Housing with the feed chute of the Head facing straight up. You will need to line up the slot in the Head with the Pin inside the Gear Housing. Be sure the Head is seated fully into the Gear Housing (**FIGURE 8**).

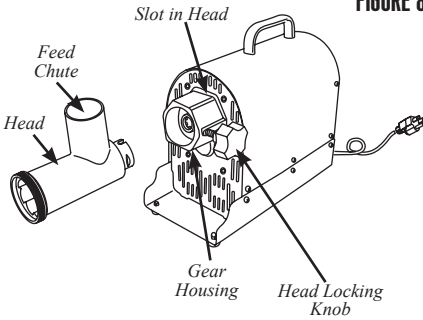


FIGURE 8

2. Tighten the Head Locking Knob to lock the Head into place.

3. Insert the Auger, with the Auger Bearing attached, into the Head (**FIGURE 9**). Align the Auger Splines with the Drive Shaft of the Grinder.

NOTE: Periodically inspect the Auger Bearing for wear. If the Auger Bearing has excessive wear, replace it to prevent head damage.

4. Slide the High Speed Plastic Auger onto the Auger Pin making sure the square part of the Plastic Auger fully seats on to the square portion of the Auger Pin.

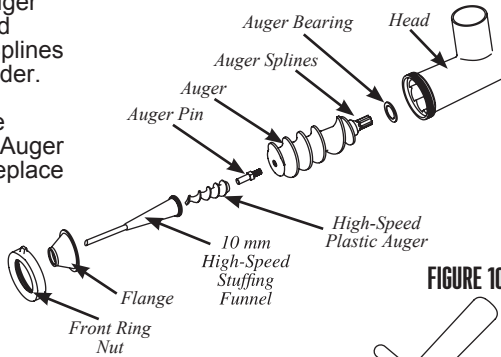
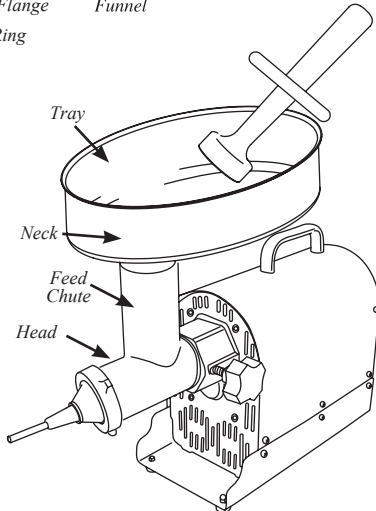


FIGURE 10

5. Slide the 10 mm Stuffing Funnel through the through the Flange and place it through the Front Ring Nut.

6. Install the Front Ring Nut, DO NOT OVERTIGHTEN. Turn the Front Ring Nut until it makes contact with the Flange, then make 1/4 turn more to tighten into place.

7. Insert the neck of the Tray into the Feed Chute (**FIGURE 10**).



8. NEVER operate Grinder without the Tray secured in place (**FIGURE 10**).

REFER TO "STUFFING INSTRUCTIONS"

## STUFFING INSTRUCTIONS

**WARNING!** Before cleaning, assembling or disassembling the Grinder, make sure the Grinder Motor is OFF and the PLUG IS REMOVED FROM THE OUTLET/POWER SOURCE!

1. After grinding the meat following the “Grinding Instructions”, mix the ground meat with the sausage seasonings.
2. Follow the “Stuffer Assembly Instructions” or the “High-Speed Stuffer Assembly Instructions” to fully assemble the Grinder as a Stuffer including the Tray.

**NOTE:** While one person can stuff sausage with this Grinder, it is recommended that two people perform this operation. For best results when using the High-Speed Stainless Steel 10 mm Stuffing Funnel do not grind the meat through the 4.5 mm Grinding Plate.

3. Place seasoned ground meat into the Tray. Do not overfill the Tray, place just enough meat to leave the Feed Chute area open.

4. Slide a sausage casing over the Stuffing Funnel. See the “Sausage Information / Casing” section of this manual for more information.

5. Slide 4”-6” (10-15 cm) of casing from the end of the Stuffing Funnel and tie a knot in the end of the casing. If you are using large diameter fibrous casing, hold the closed end of the casing tightly against the end of the Stuffing Funnel (**FIGURE 11**).

6. Make sure the Grinder is in the “OFF” position. Attach the Grinder to the power supply.

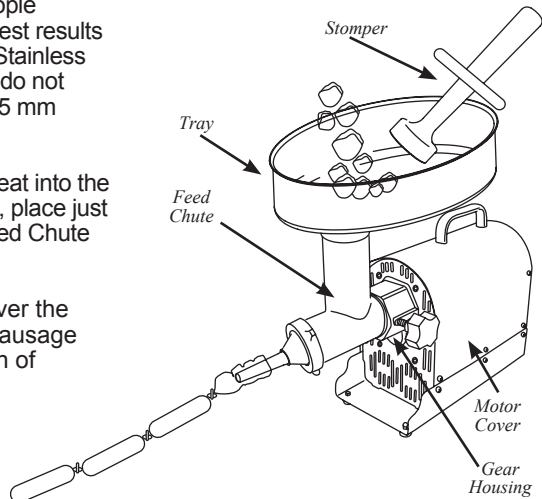
7. Switch the Grinder to the forward “FWD” position. Carefully start feeding ground meat into the Feed Chute. **ONLY USE THE STOMPER TO PUSH MEAT INTO THE HEAD, DO NOT USE YOUR FINGERS OR ANY OTHER OBJECT.**

**CAUTION!** It is important to follow the “Food Safety” guidelines outlined in this manual. For the most up to date instruction visit the USDA website.

## WARNING!

**NEVER** operate Grinder without the Tray/Safety Guard secured in place. To avoid serious or fatal injury, **NEVER** reach into any Grinder inlet. **ALWAYS** use the Stomper to push meat into the Grinder Head. Read & fully understand all instructions & warnings prior to use.

**FIGURE 11**



8. Hold the casing in place with one hand while feeding the sausage mixture through the Grinder. As the meat fills the casing, gently lay it on a clean, dry surface. NOTE: When using natural casings, use a wet surface.

9. Do not fill the last 3"-4" (7.5-10 cm) of casing. After the entire length of casing has been stuffed, twist the open end to close, then tie off the ends of the casing tightly to close. Twist into links.

10. Whenever stuffing sausage, fill the casing slowly to avoid air pockets. If air pockets do appear in the sausage use a pin to prick the bubbles. The small holes will seal naturally.

## REVERSE FUNCTION

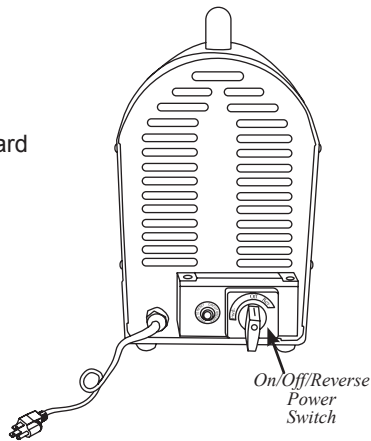
(Only applicable on #22 & #32 Grinders)

. Allow the Grinder Motor to come to a COMPLETE STOP before engaging into reverse "REV" (**FIGURE 12**).

. Allow the Grinder Motor to come to a COMPLETE STOP before engaging in forward "FWD" after using the reverse function.

. NEVER operate the Grinder in reverse for more than 5 seconds at a time.

FIGURE 12



## WARNING!

**NEVER** operate Grinder without the Tray/Safety Guard secured in place.

To avoid serious or fatal injury, **NEVER** reach into any Grinder inlet.

**ALWAYS** use the Stomper to push meat into the Grinder Head.

Read & fully understand all instructions & warnings prior to use.

## CIRCUIT BREAKER INSTRUCTIONS

This Grinder is equipped with a Circuit Breaker as a safety precaution. If the Grinder stops running follow these steps to remedy:

1. Turn the Grinder to the "Off" position.
2. Check the Grinder to see if there is a jam in the Grinder Head. If there is, the jam needs to be cleared of the obstruction as outlined in "Grinding Tips".
3. Press the Circuit Breaker Reset Button (FIGURE 13).
4. Turn the Grinder back on and resume grinding.
5. If the Grinder still does not turn on, check that the electrical wall outlet is properly working. Plug in another appliance to see if that appliance works from the wall outlet. Check that the household circuit breaker has not been tripped. If none of the above steps remedy the situation, or if the Circuit Breaker repeatedly shuts off the Grinder contact a customer service for further assistance.

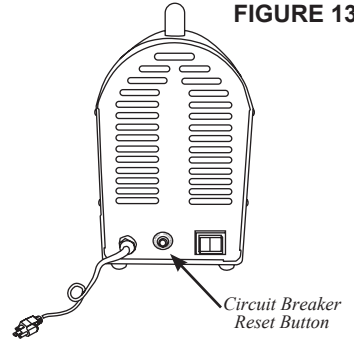


FIGURE 13

**WARNING!** DO NOT continue to use the Grinder if the Circuit Breaker trips repeatedly. Continued use may cause permanent damage to the Grinder and will void the warranty.

**PLEASE NOTE:** This **Grinder** features an all hardened steel gear transmission. This causes the **Grinder** to operate at a higher volume and temperature than other **Grinders**. This is normal and will not affect the **Grinder's** performance.

## GRINDING TIPS

- DO NOT over-tighten the Front Ring Nut. It should be firmly tight.
  - Make sure the Grinding Knife blades lay flat on the Grinder Plate.
  - DO NOT operate the Grinder without meat in the Head. Running the Grinder while dry could damage the Head and Auger.
  - ALWAYS lubricate the Head, Grinding Plate and Grinding Knife with a food-grade silicone spray after cleaning.
  - If the Grinder Plate becomes jammed/clogged during operation, follow these steps to restore normal output.
  - Turn the Grinder "OFF" and disconnect the Power Cord from the electrical outlet.
  - Remove the Front Ring Nut and Grinding Plate.
  - Thoroughly clean the Grinding Plate. Make sure all of the holes are clear.
  - Re-install the Grinding Plate and Front Ring Nut.
  - Re-connect the Grinder to the electrical outlet.
- Continue with grinding.
- Repeat as necessary.



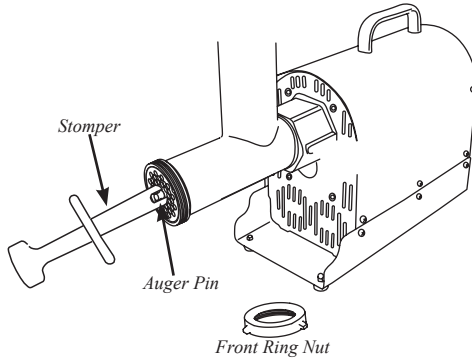
# AUGER GRABBING STOMPER INSTRUCTIONS

**! WARNING!** Before cleaning, assembling or disassembling the Grinder, make sure the Grinder Motor is OFF and the PLUG IS REMOVED FROM THE OUTLET/POWER SOURCE!

To use the stomper to disassemble the head of the meat grinder, follow these instructions:

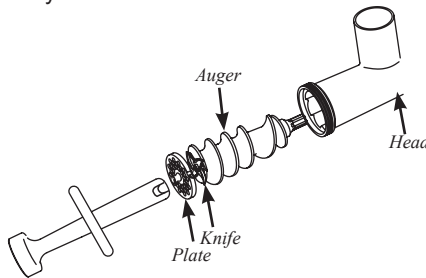
FIGURE 14

1. Unscrew the front ring nut.
2. Attach the handle end of the stomper onto the auger pin. The opening on the stomper should completely secure around the groove in the pin (FIGURE 14).
3. Pull the stomper toward yourself, and away from the grinder. The auger will begin to disengage from the head of the grinder.
4. Use the hand that is not holding the stomper to guide the auger out from the head completely.



5. The auger, grinder knife and plate are all now free from the head and can be cleaned appropriately (FIGURE 15).

FIGURE 15



## WARNING!

**NEVER** operate Grinder without the Tray/Safety Guard secured in place.  
To avoid serious or fatal injury, **NEVER** reach into any Grinder inlet.  
**ALWAYS** use the Stomper to push meat into the Grinder Head.  
Read & fully understand all instructions & warnings prior to use.

# FOOD SAFETY

There are basic rules to follow when handling food. They are **COOK, SEPARATE, CLEAN, and CHILL.**

## COOK

It's crucial to cook food to a safe internal temperature to destroy bacteria that is present. The safety of hamburgers and other foods made with ground meat has been receiving a lot of attention lately, and with good reason. When meat is ground, the bacteria present on the surface is mixed throughout the ground mixture. If this ground meat is not cooked to at least 160°F to 165°F (71°C to 74°C), bacteria will not be destroyed and there's a good chance you will get sick.

Solid pieces of meat like steaks and chops don't have dangerous bacteria like E. coli on the inside, so they can be served more rare. Still, any beef cut should be cooked to an internal temperature of at least 145°F (63°C) (medium rare). The safe temperature for poultry is 180°F (82°C) and solid cuts of pork should be cooked to 160°F (71°C). Eggs should be thoroughly cooked too. If you are making a meringue or other recipe that uses uncooked eggs, buy specially pasteurized eggs or use prepared meringue powder.

## SEPARATE

Foods that will be eaten uncooked and foods that will be cooked before eating **MUST ALWAYS** be separated. Cross-contamination occurs when raw meats or eggs come in contact with foods that will be eaten uncooked. This is a major source of food poisoning. Always double-wrap raw meats and place them on the lowest shelf in the refrigerator so there is no way juices can drip onto fresh produce. Then use the raw meats within 1-2 days of purchase, or freeze for longer storage. Defrost frozen meats in the refrigerator, not on the counter.

When grilling or cooking raw meats or fish, make sure to place the cooked meat on a clean platter. Don't use the same platter you used to carry the food out to the grill. Wash the utensils used in grilling after the food is turned for the last time on the grill, as well as spatulas and spoons used for stir-frying or turning meat as it cooks.

Make sure to wash your hands after handling raw meats or raw eggs. Washing hands with soap and water, or using a pre-moistened antibacterial towelette is absolutely necessary after you have touched raw meat or raw eggs. Not washing hands and surfaces while cooking is a major cause of cross-contamination.

## CLEAN

Wash your hands and work surfaces frequently when you are cooking. Washing with soap and warm water for at least 15 seconds, then dry with a paper towel.

## CHILL

Chilling food is very important. The danger zone where bacteria multiply is between 40°F and 140°F (4°C and 6°C). Your refrigerator should be set to 40°F (4°C) or below; your freezer should be 0°F (-17°C) or below. Simple rule: serve hot foods hot, cold foods cold. Use chafing dishes or hot plates to keep food hot while serving. Use ice water baths to keep cold foods cold. Never let any food sit at room temperature for more than 2 hours - 1 hour if the ambient temperature is 90°F (32°C) or above. When packing for a picnic, make sure the foods are already chilled when they go into the insulated hamper. The hamper won't chill food - it just keeps food cold when properly packed with ice. Hot cooked foods should be placed in shallow containers and immediately refrigerated so they cool rapidly. Make sure to cover foods after they are cool.

NOTE: Special considerations must be made when using venison or other wild game, since it can become heavily contaminated during field dressing. Venison is often held at temperatures that could potentially allow bacteria to grow, such as when it is being transported. Refer to the USDA Meat and Poultry Department for further questions or information on meat and food safety.

# SAUSAGE INFORMATION

## MEAT SELECTION FOR SAUSAGE MAKING

Sausage making has evolved over many years and generations, and as a result there are countless types of sausage you can make using the basic ingredients of meat, fat and a few carefully blended spices. Following are a few simple guidelines that will help you make the best tasting sausage possible.

Any type of meat can be used for making sausage: pork, beef, bison, moose and caribou, even antelope make great sausage. It is important when preparing venison or other red game meats to trim all the fat from the meat, as red game tallow will turn rancid in as few as five days. Replace the fat with either pork or beef fat, depending on the type of product you are making, at a ratio of 1 pound (0.5 kg) of fat for every 4 pounds (1.8 kg) of game meat.

The fat content of your sausage will affect the taste, texture, cooking characteristics and shelf life of your product. Most commercially made sausage has a fat content of about 20%. Using less than 12% fat will result in a very dry tasting sausage, while using more than 20% may result in a sticky flavorless sausage that will be difficult to cook.

## CURING

It is important to properly cure meats to preserve meat and poultry, and to destroy undesirable microorganisms on the meat surfaces that cause spoilage and food born illnesses. There are many steps that help in this process, including smoking, cooking, drying, chilling and the addition of cure ingredients. The oldest means of accomplishing this is by introducing salt into the meat. The resistance of bacteria to salt varies widely among different types of bacteria. The growth of some bacteria is inhibited by salt concentrations as low as 3%, e.g., Salmonella, whereas other types are able to survive in much higher salt concentrations, e.g., Staphylococcus. Fortunately, the growth of many undesirable organisms normally found in cured meat and poultry products is inhibited at low concentrations of salt.

Modern curing is based on Nitrates and is very scientific. The best way to ensure proper curing is to purchase one of the many commercially available curing agents from either a grocery store or your local butcher. A very common cure is Prague Powder, which is available in two types (#1 and #2).

## CASING

There are many different types of casings available, the right choice depends on personal preference as well as the type of sausage you wish to make. For most sausages, your choices are natural or collagen. Don't let the names fool you; collagen casings are not a synthetic product. They are made from beef skin and other tissues. Collagen casings are uniform in size and texture and require almost no preparation. "Natural" casings are the intestines of lamb, sheep, hogs or beef. They are less uniform in size and require substantial preparation. For those reasons, more than 75% of commercially made sausage in the U.S. is made with collagen casing. There are also fibrous non-edible casings that are used for some varieties of smoked sausages and bolognas.

## TYPES OF SAUSAGE

Most sausages fall into one of four categories: Fresh, Smoked, Cooked or Dried. All sausages, except dried, require refrigerated storage. There is also a sub-category of uncooked smoked sausages.

Among the fresh and uncooked smoked sausages, you will find such flavors as kielbasa or Polish sausage, Italian sausage, breakfast sausage and many others. Both fresh and uncooked smoked sausages require cooking before eating and also require refrigerated storage.

Smoked and cooked sausages include salami, bologna, the ever-popular hot dogs and many others. Proper smoking requires a smokehouse or smoker. These can be simple home-built structures made from metal drums or even old refrigerators or they can be elaborate manufactured units. Most smoked sausages are warmed before serving. Many people think that a smoked sausage will last much longer without spoilage, but this is not true. Smoked sausages should be treated the same as fresh sausage in terms of storage.

Dried sausages require the longest processing time, as they are air dried over a long period of time. Some types of dry sausages are pepperoni, prosciutto and a variety of ham products, just to name a few. The conditions under which the meat is dried are very exacting; temperature, time and humidity must all be carefully monitored for a safe and delicious product.

## STORAGE

It is important to remember that sausage will lose its flavor the longer that it is stored. It is recommended that you only make as much sausage as you will need for 4-6 weeks. Even frozen sausage will begin to lose flavor noticeably after 6 weeks. Frozen sausage should be thawed slowly in the refrigerator before cooking or serving. Quick thawing of the product will degrade the taste as well.

# WESTON WARRANTY INFORMATION

## SAVE THIS WARRANTY INFORMATION FOR YOUR RECORDS!

Weston Brands LLC warrants to the ORIGINAL RETAIL PURCHASER of this product that if operated in accordance with the printed instruction accompanying it, then for a period of 5 years from the date of purchase, the product shall be free from defects in material and workmanship.

The Warranty Card, along with a copy of the original receipt, must be received by Weston Brands LLC within 30 days from purchase date for the warranty to apply. Failure to send the completely filled out Warranty Card, along with a copy of the original receipt, will void the warranty.

The product must be delivered to or shipped freight prepaid to Weston Brands LLC for warranty services, in either its original packaging or similar packaging affording an equal degree of protection. Damage due to shipping is not the responsibility of the company. Weston Brands LLC charges a \$35.00 per hour bench charge. **NOTE:** No repairs will be started without the authorization of the customer. The return shipping cost to the customer will be added to the repair invoice.

Prior to returning the product for Warranty Repair, the product must be thoroughly cleaned and free from any food particles or other debris. Failure of the purchaser to comply with this standard will result in the unit being returned without repair. In some cases, a \$50 cleaning surcharge may apply.

Weston Brands LLC will repair (or at its discretion, replace) the product free of charge, if in the judgment of the company, it has been proven to be defective as to seller's labor and material, within the warranty period.

New or rebuilt replacements for factory defective parts will be supplied for 5 years from the date of purchase.

Replacement parts are warranted for the remainder of the original warranty period.

For non-warranty repairs, contact Weston Brands LLC's Customer Service at 1-800-814-4895 M-F 8am-5pm ET (outside of the United States 001-216-901-6801) to obtain a Return Merchandise Authorization Number (RMA Number).

Weston Brands LLC will refuse all returns that do not contain this number. **DO NOT RETURN THE UNIT WITHOUT PROPER AUTHORIZATION FROM WESTON BRANDS LLC.**

**LIMITATIONS:** The warranty is void if the product is used for any purpose other than that for which it is designed. The product must not have been previously altered, repaired, or serviced by anyone else other than Weston Brands LLC. If applicable, the serial number must not have been altered or removed. The product must not have been subjected to accident in transit or while in the customer's possession, misused, abused, or operated contrary to the instructions contained in the instruction manual. This includes failure caused by neglect of reasonable and necessary maintenance, improper line voltage and acts of nature. This warranty is not transferable and applies only to U.S. and Canadian sales.

Except to the extent prohibited by applicable law, no other warranties whether expressed or implied, including warranty merchantability and fitness for a particular purpose, shall apply to this product. Under no circumstances shall Weston Brands LLC be liable for consequential damages sustained in connection with said product and Weston Brands LLC neither assumes nor authorizes any representative or other person to assume for it any obligation or liability other than such as is expressly set forth herein. Any applicable implied warranties are also limited to the 5 year period of the limited warranty.

This warranty covers only the product and its specific parts, not the food or other products processed in it. Weston is not responsible for missing or damaged parts on discounted/clearance, resale or final sale items where the seller may not be able to guarantee full functionality or completeness of the unit.

**CUT ALONG THE DOTTED LINE AND SEND THE WARRANTY CARD ALONG WITH A COPY OF YOUR ORIGINAL PURCHASE RECEIPT TO:**

**Weston Brands LLC / WARRANTY  
7575 E. PLEASANT VALLEY RD., INDEPENDENCE, OH 44131**

## WESTON WARRANTY CARD

SEND THIS CARD ALONG WITH A COPY OF YOUR ORIGINAL PURCHASE RECEIPT TO:  
WESTON BRANDS LLC / WARRANTY, 7575 E. PLEASANT VALLEY RD., INDEPENDENCE, OH 44131 USA

Customer Name: \_\_\_\_\_

Address: \_\_\_\_\_

City/State/Zip/Country: \_\_\_\_\_

Telephone Number: \_\_\_\_\_

E-Mail Address: \_\_\_\_\_

Original Date of Purchase: \_\_\_\_\_

Copy of Receipt  
Included

Product Model #: \_\_\_\_\_

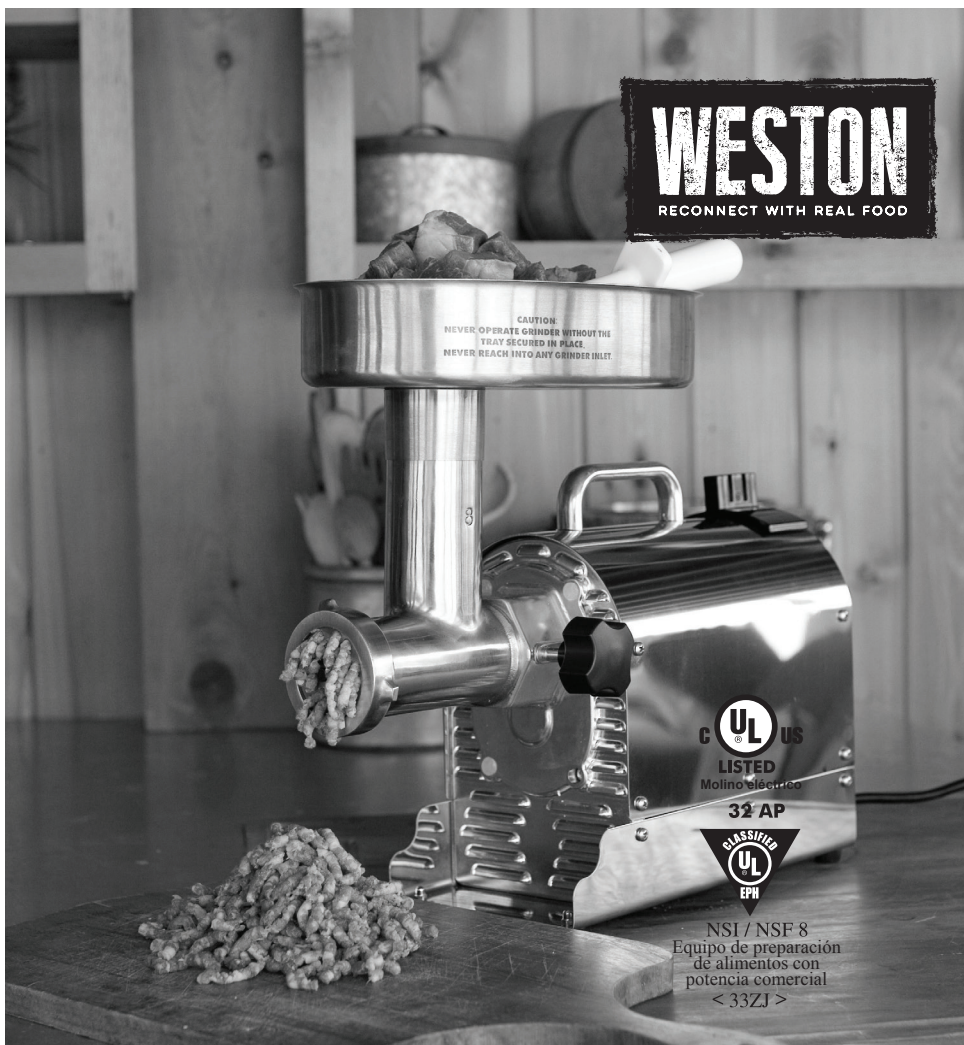
Serial # (if applicable): \_\_\_\_\_

I have read the warranty information. Initial here: \_\_\_\_\_



# WESTON

RECONNECT WITH REAL FOOD



CAUTION:  
NEVER OPERATE GRINDER WITHOUT THE  
TRAY SECURED IN PLACE.  
NEVER REACH INTO ANY GRINDER INLET.

UL  
LISTED  
Molino eléctrico  
32 AP

CLASSIFIED  
UL  
EPH

NSI / NSF 8  
Equipo de preparación  
de alimentos con  
potencia comercial  
< 33Z1 >

## pro series™

# MOLINO ELÉCTRICO

10-0501-W (#5 MOLINO ELÉCTRICO)

10-0801-W (#8 MOLINO ELÉCTRICO)

10-1201-W (#12 MOLINO ELÉCTRICO)

10-2201-W (#22 MOLINO ELÉCTRICO)

10-3201-W (#32 MOLINO ELÉCTRICO)

DEBIDO A CONSTANTES MEJORAS EN LA FÁBRICA, EL PRODUCTO QUE SE MUESTRA PUEDE SER LIGERAMENTE DIFERENTE DEL PRODUCTO EN ESTA CAJA. 042616



**¡ADVERTENCIA!**

**NUNCA opere el molino sin la bandeja/guarda de seguridad fija en su lugar.**

**Para evitar lesiones serias o fatales,  
NUNCA ingrese a ninguna entrada en el molino.**

**Utilice SIEMPRE el pisón para empujar los alimentos dentro del cabezal del molino.**

**Lea y entienda por completo todas las instrucciones y advertencias antes de usarlo.**

# REGLAS IMPORTANTES DE SEGURIDAD

LEA Y ENTENDA COMPLETAMENTE TODAS LAS INSTRUCCIONES Y ADVERTENCIAS ANTES DE UTILIZAR ESTA UNIDAD. ¡SU SEGURIDAD ES LO MÁS IMPORTANTE! NO SEGUIR LOS PROCEDIMIENTOS Y PRECAUCIONES PUEDE PROVOCAR LESIONES GRAVES Y DAÑOS MATERIALES. RECUERDE: ¡SU SEGURIDAD PERSONAL ES RESPONSABILIDAD DE USTED!

1. **NO** use el **molino** sin la **bandeja/guarda de seguridad** asegurada en su lugar.
2. **SIEMPRE DESCONECTE el molino** de la fuente de corriente antes de darle mantenimiento, cambiarle accesorios o limpiarla.
3. Conecte el **molino** en un tomacorriente estándar de 120 volts y 60 Hz. Revise si el voltaje indicado en el aparato corresponde al voltaje de su localidad antes de conectarlo.
4. **NO USE el molino** si el **cable de corriente, la clavija**, o cualquier otra parte estuvieran dañadas. Si el **cable de corriente** o el **molino** está dañado, llame al servicio al cliente. **NO TRATE DE REEMPLAZAR EL CABLE.** Asegúrese de no permitir que el **cable de corriente** se encuentre dentro de su área de trabajo. Revise que todas las partes estén funcionando debidamente y realicen las funciones deseadas. Revise la alineación de las partes móviles, o cualquier otra situación que afecte el funcionamiento.
5. **NUNCA** use ningún accesorio o partes de otros fabricantes. Hacerlo **INVALIDA LA GARANTÍA** y puede causar incendios, choques eléctricos y lesiones.
6. **PARA PROTEGERSE DE CHOQUES ELÉCTRICOS: NO SUMERJA LA EL CUERPO PRINCIPAL DEL MOLINO EN AGUA U OTRO LÍQUIDO. ASEGÚRESE DE QUE EL MOLINO ESTÉ DESCONECTADO DE LA FUENTE DE CORRIENTE ANTES DE LIMPIARLO.** Lave a mano todas las partes y séquelas bien. Limpie cuidadosamente todas las partes que entren en contacto con los alimentos antes de usar el electrodoméstico. **NUNCA** enjuague el **motor del molino** bajo la llave, utilice sólo un paño húmedo para limpiar la **unidad del motor del molino**.
7. Reduzca el riesgo de encendido involuntario. Asegúrese de que el **interruptor de corriente** está en la posición "OFF" (apagado) antes de conectar al tomacorriente.
8. **MANTENGA LOS DEDOS LEJOS del tornillo sinfín** y de las **navajas de corte EN TODO MOMENTO. NUNCA META LAS MANOS AL MOLINO**, hacerlo puede causar lesiones graves. **SIEMPRE UTILICE EL PISÓN DE ALIMENTOS. NUNCA PASE LOS ALIMENTOS A MANO.**
9. **NUNCA** utilice los dedos para raspar alimentos de la **cuchilla** mientras el **molino** está en funcionamiento. **PUEDEN PRODUCIRSE LESIONES GRAVES.**
10. **NUNCA TENGA FUNCIONANDO EL MOLINO SIN VIGILANCIA.** Sea prudente, **DESCONECTE el molino** de la fuente de corriente antes de dejar el área de trabajo. Es necesaria la supervisión cercana cuando se use cualquier aparato cerca de niños. Este aparato

**NO DEBE** ser usado por niños.

11. Evite el contacto con partes en movimiento. Espere hasta que todas las partes móviles se hayan detenido antes de remover cualquier parte del **molino**.
12. **RECÓJASE** el pelo suelto y la ropa y enróllese las mangas antes de manejar el molino. **QUÍTESE** la corbata, anillos, relojes, brazaletes y demás joyería antes de manejar el **molino**.
13. Revise que el **molino** esté en una superficie de trabajo estable. Revise que estén estables las patas del **molino**.
14. **NO** intente morder huesos, nueces u otros artículos duros. **NO** deje que el cable haga contacto con superficies calientes. **NO** lo use encima de un horno o estufa. Revise si el voltaje indicado en el aparato corresponde al voltaje de su localidad antes de conectarlo.
15. **NO** opere el **molino** sin carne en el **cabezal**. Pueden ocurrir daños severos en el **cabezal** y en el **tornillo sinfín**.
16. **USE PROTECCIÓN EN LOS OJOS.** Utilice gafas de seguridad. Los anteojos ópticos no son protección de seguridad. Las gafas de seguridad cumplen con los requerimientos de la norma ANSI Z87.1. Nota: Las gafas de seguridad aprobadas tienen impresa o estampada la clave Z87.
17. **NO** la use en exteriores.
18. **NO** use el **molino** mientras esté bajo los efectos de drogas, medicamentos o alcohol.
19. **NO DEJE** que el **cable de corriente** cuelgue por el borde de la superficie de trabajo.
20. **NO** intente operar el **molino** si el **molino** está frío. La temperatura del **molino** debe ser de al menos 45°F (7°C) antes de comenzar.
21. El **gabinete de engranes** y la **tapa del motor** pueden **CALENTARSE** durante la operación. Esto es normal. **NO** toque estas partes durante la operación, o hasta que se enfrien después del uso.
22. **¡ADVERTENCIA!** Los huesos rotos y astillados pueden ingresar al tracto digestivo de las mascotas y causar daños severos, incluso la muerte, debido a la perforación de los intestinos o incluso del estómago.
23. Los molinos eléctricos para carne de la Serie Pro de Weston (#22 y #32) son capaces de moler huesos más pequeños y más suaves de animales tales como el conejo, pollos enteros\* o cuartos de pollo y otras aves, debido a la potencia y a la construcción metálica de las unidades.
24. Evite moler huesos animales grandes y densos ya que son muy difíciles de procesar (por ejemplo, huesos como los que se encuentran en animales de caza, cerdos o reses).

## ¡GUARDE ESTAS INSTRUCCIONES!

## DESCRIPTION DE LA PIÈCE

NÚMERO DE DIAGRAMA	DESCRIPCIÓN DE LA PIEZA	#5	#8	#12	#22	#32
		10-0501-W	10-0801-W	10-1201-W	10-2201-W	10-3201-W
1	TUERCA DEL ANILLO FRONTAL	08-0542	08-0842	08-1242	08-2242	08-3242
2	PLACA DEL MOLINO DE 4.5 MM	29-0504	29-0804	29-1204	29-2204	29-3204
3	PLACA DEL MOLINO DE 7 MM	29-0507	29-0807	29-1207	29-2207	29-3207
4	NAVAJA DEL MOLINO	29-0550	29-0850	29-1250	29-2250	29-3250
5	PERNO DEL TORNILLO SINFÍN	08-0549	08-0849	08-1249	08-2246	08-3246
6	TORNILLO SINFÍN	08-0502-U	08-0802-U	08-1202	08-2202-N	08-3202-N
7	COJINETE DEL TORNILLO SINFÍN	08-0547	08-0847	08-0847	08-3047	08-3047
8	CABEZAL DE ACERO INOXIDABLE	08-0509-W	08-0809-W	08-1209	08-2209-W	08-3209-W
9	PATA DE CAUCHO CON TUERCAS (4)	08-2007	08-2007	08-2007	08-2007	08-2007
10	PERILLA DE BLOQUEO DEL CABEZAL	08-2005	08-2005	08-2005	08-2005	08-2005
11	BANDEJA DE ACERO INOXIDABLE	08-0524	08-0824	08-1224	08-2224	08-3224
12	BANDEJA DE ALMACENAMIENTO	08-0521	08-0821	08-1221	08-2221	08-3221
13	EL PRENSADORRETIRA EL SINFÍN	09-0577	09-0877	09-0877	09-2277	09-2277
14	CUBIERTA DE LA BANDEJA	08-0522	08-0822	08-1222	08-2222	08-3222
15	AFILADOR DE CUCHILLOS	08-0803	08-0803	08-0803	08-0803	08-0803
SIN FOTO	PISÓN DE SEGURIDAD	N/A	N/A	N/A	08-2223	08-3223
16	MONTAJE EMBUTIDORA	08-2501-W	08-2501-W	08-2501-W	08-2501-W	08-2501-W

## MONTAJE EMBUTIDORA

ESTRELLA DE RELLENADO DE ACERO INOXIDABLE

EMBUDO DE 10 MM DE ACERO INOXIDABLE DE ALTA VELOCIDAD

BRIDA PARA EL EMBUDO DE RELLENADO

EMBUDO 20 MM

EMBUDO 30 MM

EMBUDO 40 MM

TORNILLO SINFÍN PLÁSTICO DE ALTA VELOCIDAD PATENTADO

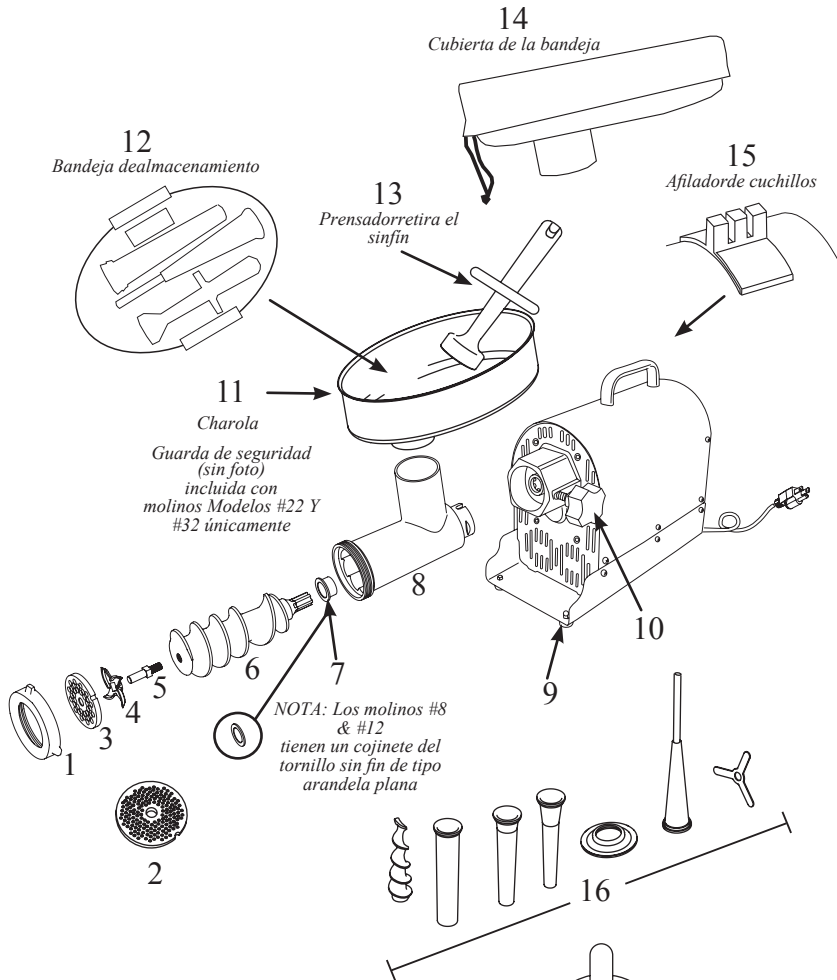
N'hésitez pas à visiter notre site [Web WestonProducts.com](http://WebWestonProducts.com) si un composant est cassé, l'outil fonctionne mal, ou pour commander un nouveau mode d'emploi.

**WestonProducts.com**

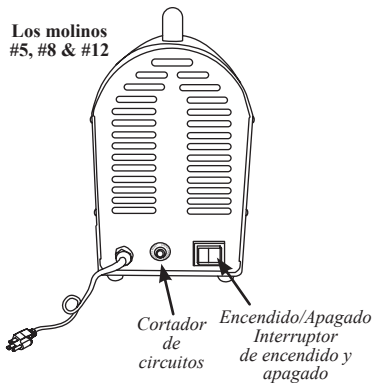
Veillez appeler Weston Brands, LLC au numéro sans frais : 1-800-814-4895

Du lundi au vendredi: de 8h00 à 17h00 ET. En dehors des États-Unis, veuillez appeler le 001-216-901-6801

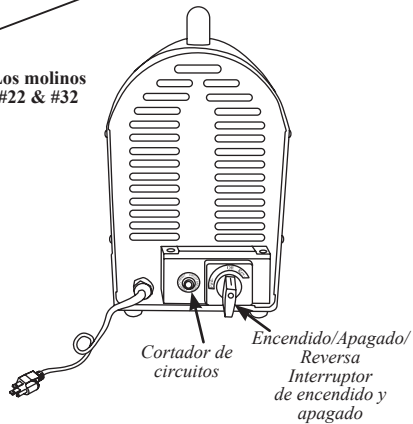




Los molinos #5, #8 & #12



Los molinos #22 & #32



**¡ADVERTENCIA!** ¡Antes de limpiar, ensamblar o desarmar el molino, cerciórese de que el motor del molino esté APAGADO y que LA CLAVIJA ESTÉ RETIRADA DEL TOMACORRIENTE O FUENTE DE ENERGÍA!

## INSTRUCCIONES PARA EL DESEMPAQUE

. Retire todas las partes del material de empaque y verifique que no falte ninguna.

. Conserve el material de empaque para almacenar el molino y las partes del molino cuando no esté en uso.

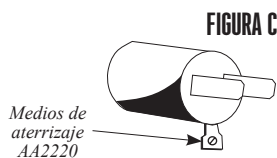
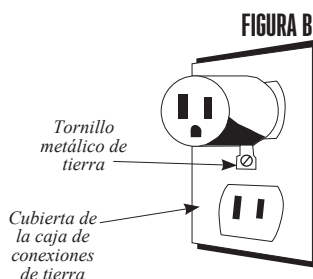
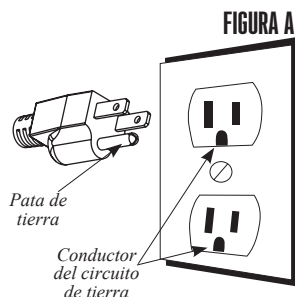
## INSTRUCCIONES PARA HACER TIERRA

### ATERRIZADO

Este aparato debe estar aterrizado para proteger al operario de choques eléctricos. El aparato está equipado con un cable de 3 conductores y una clavija de tierra de tres patas que entra en un tomacorriente aterrizado apropiado. El aparato tiene una clavija que se ve como la figura A. Debe usarse un adaptador, figura B, para conectar la clavija de la figura A en tomacorrientes de dos patas. La pestaña de tierra que sale del adaptador debe conectarse a una tierra permanente, por ejemplo, una caja de conexiones debidamente aterrizada, como la que se muestra en la figura C, usando un tornillo de metal. **NO modifique la clavija de ninguna manera.**

### CABLES DE EXTENSIÓN

Use solamente cables de extensión de 3 alambres que tengan clavijas de tierra de 3 patas y un conector de 3 polos que acepte la clavija del aparato. Use solamente cables de extensión que tengan una calibración eléctrica no menor que la calibración del aparato. **NO USE** cables de extensión dañados. Examine el cable de extensión antes de usarlo y reemplácelo si está dañado. **NO** maltrate el cable de extensión y no lo jale para desconectarlo. Mantenga el cable alejado del calor y de bordes filosos. **NO** permita que el cable cuelgue por el borde del área de trabajo.



# INSTRUCCIONES DE LIMPIEZA

**¡ADVERTENCIA!** ¡Antes de limpiar, ensamblar o desarmar el molino, cerciórese de que el motor del molino esté APAGADO y que LA CLAVIJA ESTÉ RETIRADA DEL TOMACORRIENTE O FUENTE DE ENERGÍA!

1. Retire el cabezal del motor del molino.
2. Desarme el conjunto del cabezal.
3. Retire la guarda de seguridad de la bandeja, como se indica en las "Instrucciones de la guarda de seguridad". Las guardas de seguridad sólo vienen con los molinos Modelo #22 y #32.
4. Lave con agua jabonosa caliente todas las partes que entren en contacto con la carne. PROCURE LIMPIAR LAS PARTES INMEDIATAMENTE DESPUÉS DE USARLAS. ¡NO SUMERJA EL MOTOR EN AGUA NI EN NINGÚN OTRO LÍQUIDO!
5. Enjuague las partes del molino con agua caliente limpia y séquelas INMEDIATAMENTE.
6. Lubrique completamente el cabezal, las placas y la navaja con un atomizador de silicona para uso con alimentos antes y después de cada uso.
7. Limpie la cubierta del motor y el gabinete de engranajes con una toalla húmeda y séquelos. ¡NO SUMERJA EL MOTOR EN AGUA NI EN NINGÚN OTRO LÍQUIDO!

**IMPORTANTE:** Cualquier parte mecánica debe recubrirse con un atomizador de silicona para uso con alimentos para evitar la oxidación; si no se protegen de forma adecuada, estas partes comenzarán a oxidarse de forma muy rápida. No use partes oxidadas. Puede encontrarse información para pedidos en la última página de este manual de instrucciones.

8. Hacer agria el molino y todos los componentes son completamente seco llame antes de montar el oro almacenamiento.

## ¡ADVERTENCIA!

**NUNCA** opere el molino sin la bandeja/guarda de seguridad fija en su lugar. Para evitar lesiones graves o fatales, nunca meta las manos en ninguna abertura del molino. SIEMPRE utilice el pisón para empujar la carne en el cabezal del molino. Lea y entienda completamente todas las instrucciones y advertencias antes de usarlo.

# INSTRUCCIONES DE ENSAMBLE DEL MOLINO

**¡ADVERTENCIA!** ¡Antes de limpiar, ensamblar o desarmar el molino, cerciórese de que el motor del molino esté **APAGADO** y que **LA CLAVIJA ESTÉ RETIRADA DEL TOMACORRIENTE O FUENTE DE ENERGÍA!**

1. Inserte el cabezal en el gabinete de engranajes con la tolva de alimentación hacia arriba. Necesitará alinear la ranura en el cabezal con el pasador dentro del gabinete de engranajes. Asegúrese de que el cabezal esté totalmente asentado dentro del gabinete de engranajes (**FIGURA 1**).

2. Apriete la perilla de bloqueo del cabezal para fijar el cabezal en su lugar.

3. Inserte el tornillo sinfín, con el cojinete del tornillo sinfín colocado, dentro del cabezal (**FIGURA 2**). Alinee las tiras del tornillo sinfín con el eje de transmisión del molino.

NOTA: Inspeccione de forma periódica el cojinete del tornillo sinfín en busca de desgaste. Si el cojinete del tornillo sinfín está desgastado de forma excesiva, reemplácelo inmediatamente o pueden presentarse daños en el cabezal.

4. Coloque el cuchillo en el extremo cuadrado del perno del tornillo sinfín (**FIGURA 2**). Asegúrese de que las navajas de la cuchilla miran hacia afuera.

5. Coloque una de las placas del molino sobre el pasador del tornillo sinfín; alinee la muesca en la placa del molino con el pasador en el cabezal del molino.

6. Instale la tuerca del anillo frontal, **NO APRIETE DEMASIADO**. Gire la tuerca del anillo frontal hasta que haga contacto con la placa del molino, gire otro 1/4 de vuelta para apretarla en su lugar.

7. Inserte el cuello de la bandeja en la tolva de alimentación (**FIGURA 3**).

8. **NUNCA** opere el molino sin haber asegurado la bandeja en su lugar (Figura 3).

REMÍTASE A LAS "INSTRUCCIONES DE MOLIDO"

**¡ADVERTENCIA!**  
¡Ver las instrucciones de la guarda de seguridad antes de la operación!

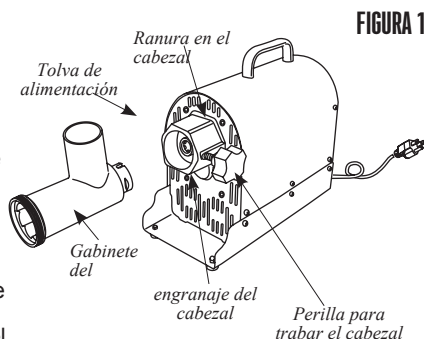


FIGURA 1

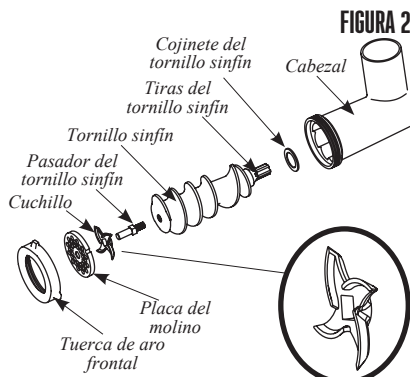


FIGURA 2

**NOTA:** Asegúrese de que las navajas de la **cuchilla** miran hacia afuera.

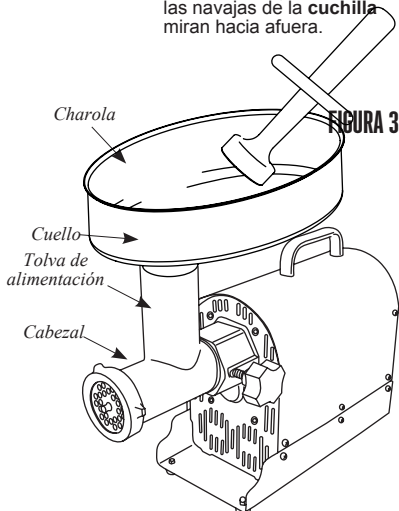


FIGURA 3

# INSTRUCCIONES PARA MOLER

**¡ADVERTENCIA!** ¡Antes de limpiar, ensamblar o desarmar el molino, cerciórese de que el motor del molino esté APAGADO y que LA CLAVIJA ESTÉ RETIRADA DEL TOMACORRIENTE O FUENTE DE ENERGÍA!

1. Siga las "Instrucciones de ensamble del molino" para ensamblar completamente el molino incluida la charola.

NOTA: Es mejor moler la carne utilizando primero la placa del molino gruesa de 7 mm. Si se desea un molido más fino de la carne, pase la carne molida gruesa a través del molino una segunda vez utilizando la placa de molino fino de 4.5 mm.

2. Recorte de todos los cordones, tendones, huesos, etc. de la carne.

3. Para mejores resultados, asegúrese de que toda la carne se haya enfriado a una temperatura de 32-34°F (0-1°C) antes de molerla. No permita que la carne esté a temperatura ambiente por más tiempo del que sea absolutamente necesario. Siga cuidadosamente las instrucciones de "Seguridad alimenticia" impartidas por la USDA.

4. Corte la carne en pedazos lo suficientemente pequeños como para que quepan en la tolva de alimentación. Cubos de aproximadamente 1" (2.5 cm).

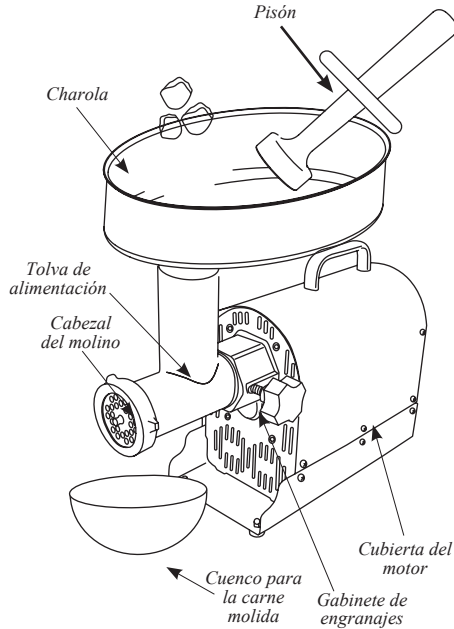
5. Coloque los cubos de carne que se van a moler en la charola. No llene demasiado la charola, coloque solo suficiente carne para dejar abierta el área de la tolva de alimentación.

6. Coloque un plato o un cuenco para recolectar la carne molida en el extremo del cabezal del molino (FIGURA 4).

**¡ADVERTENCIA!**

NUNCA opere el molino sin la bandeja/guarda de seguridad fija en su lugar. Para evitar lesiones graves o fatales, nunca meta las manos en ninguna abertura del molino. SIEMPRE utilice el pisón para empujar la carne en el cabezal del molino. Lea y entienda completamente todas las instrucciones y advertencias antes de usarlo.

FIGURA 4



¡CALIENTE!  
NO LO TOQUE!

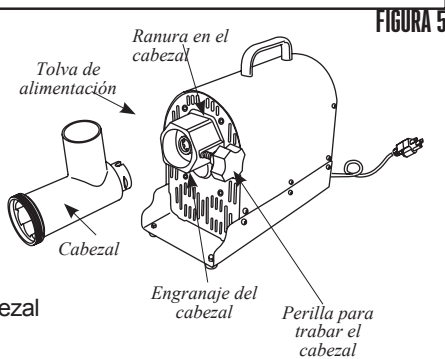
El gabinete de engranes y la tapa del motor pueden CALENTARSE durante la operación. Esto es normal. NO toque estas partes durante la operación, o hasta que se enfrién después del uso.

**ADVERTENCIA** Es importante seguir los lineamientos de "Seguridad en alimentos" establecidos en este manual. Visite el sitio Web de USDA para ver las instrucciones actualizadas.

# RELLENADOR ESTÁNDAR INSTRUCCIONES DE ENSAMBLADO

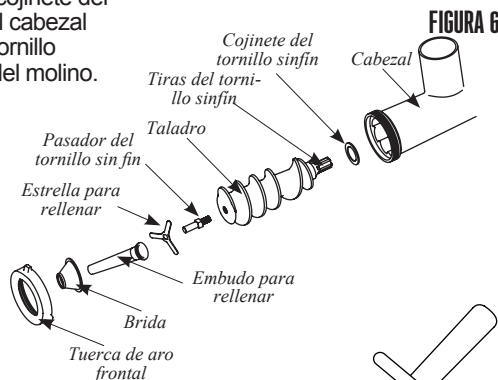
**¡ADVERTENCIA!** ¡Antes de limpiar, ensamblar o desarmar el molino, cerciórese de que el motor del molino esté APAGADO y que LA CLAVIJA ESTÉ RETIRADA DEL TOMACORRIENTE O FUENTE DE ENERGÍA!

1. Inserte el cabezal en el gabinete de engranajes con la tolva de alimentación del cabezal hacia arriba. Necesitará alinear la ranura en el cabezal con el pasador dentro del gabinete de engranajes. Asegúrese de que el cabezal esté totalmente asentada dentro del gabinete de engranajes (FIGURA 5).



2. Apriete la perilla de bloqueo del cabezal para fijar el cabezal en su lugar.

3. Inserte el tornillo sinfín, con el cojinete del tornillo sinfín colocado, dentro del cabezal (FIGURA 6). Alinee las tiras del tornillo sinfín con el eje de transmisión del molino.



NOTA: Inspeccione de forma periódica el cojinete del tornillo sinfín en busca de desgaste. Si el cojinete del tornillo sinfín está desgastado de forma excesiva, reemplácelo inmediatamente o pueden presentarse daños en el cabezal.

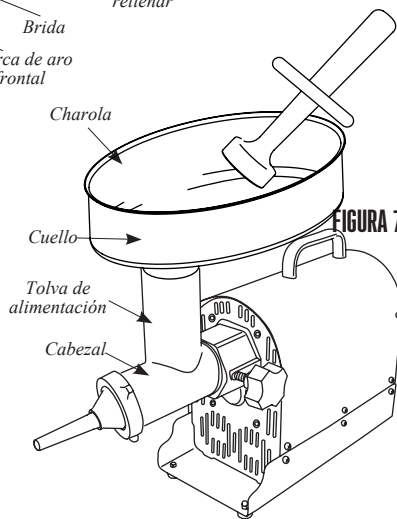
4. Coloque la estrella de rellenado en el extremo redondo del perno del taladro.

5. Deslice uno de los embudos de rellenado a través de la brida y para hacerlo a través de la tuerca de anillo frontal.

6. Instale la tuerca del anillo frontal, NO APRIETE DEMASIADO. Gire la tuerca del anillo frontal hasta que haga contacto con la brida, gire otro 1/4 de vuelta para apretarla en su lugar.

7. Inserte el cuello de la bandeja en la tolva de alimentación (Figura 7).

8. NUNCA opere el molino sin haber asegurado la bandeja en su lugar (Figura 7).



REMÍTASE A LAS "INSTRUCCIONES E RELLENADO"

# ALTA VELOCIDAD DE INSTRUCCIONES DE MONTAJE EMBUTIDORA

**!WARNING!** Before cleaning, assembling or disassembling the Grinder, make sure the Grinder Motor is OFF and the PLUG IS REMOVED FROM THE OUTLET/POWER SOURCE!

NOTA: El sistema de rellenado de alta velocidad está diseñado para utilizarlo ÚNICAMENTE con el embudo de 10 mm. NO trate de utilizar el tornillo sinfin plástico de alta velocidad con ningún otro embudo. Pueden ocurrir DAÑOS GRAVES en el cabezal del molino y otros componentes. Siga las "Instrucciones estándar de ensamblaje del rellenador" que se encuentran en este manual cuando utilice los embudos de 20, 30, o 40 mm.

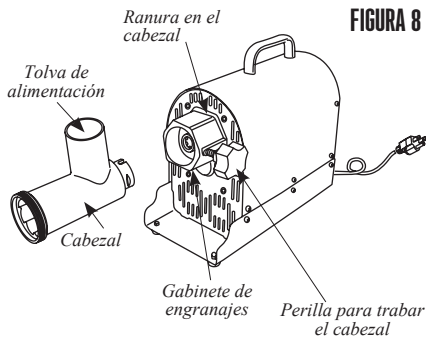


FIGURA 8

1. Inserte el cabezal dentro del gabinete de engranajes con la tolva de alimentación del cabezal hacia arriba. Necesitará alinear la ranura en el cabezal con el pasador dentro del gabinete de engranajes. Asegúrese de que el cabezal esté completamente asentado dentro del gabinete de engranajes (FIGURA 8).

2. Apriete la perilla de bloqueo del cabezal para bloquear el cabezal en su lugar.

3. Inserte el tornillo sinfin, con el cojinete del tornillo sinfin instalado, dentro del cabezal (FIGURA 9). Alinee las tiras del tornillo sinfin con el eje de transmisión del molino.

NOTA: Inspeccione de forma periódica el cojinete del tornillo sinfin en busca de desgaste. Si el cojinete del tornillo sinfin está desgastado de forma excesiva, reemplácelo inmediatamente o pueden presentarse daños en el cabezal.

4. Deslice el tornillo sinfin plástico de alta velocidad sobre el pasador del tornillo sinfin asegurándose de que la parte cuadrada del tornillo sinfin plástico se asiente completamente sobre la porción cuadrada del pasador del tornillo sinfin.

5. Deslice el embudo de rellenado de 10 mm a través de la brida y páselo a través de la tuerca del anillo frontal.

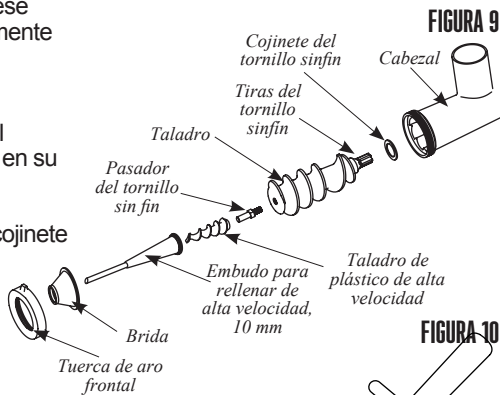


FIGURA 9

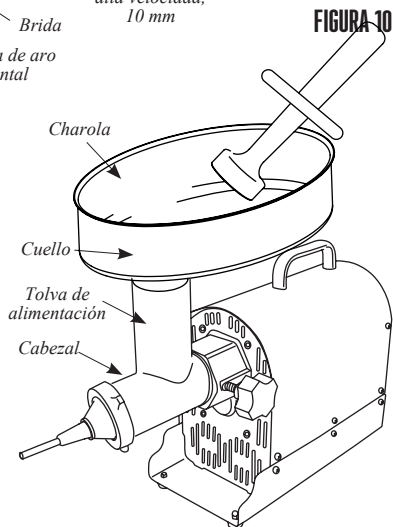


FIGURA 10

## INSTRUCCIONES DE RELLENADO

**¡ADVERTENCIA!** ¡Antes de limpiar, ensamblar o desarmar el molino, cerciórese de que el motor del molino esté APAGADO y que LA CLAVIJA ESTÉ RETIRADA DEL TOMACORRIENTE O FUENTE DE ENERGÍA!

1. Después de moler la carne siguiendo las "Instrucciones de molido", mezcle la carne molida con los condimentos para salchichas.

2. Siga las "Instrucciones de ensamblado del rellenador" o las "Instrucciones de ensamblado del rellenador de alta velocidad" para ensamblar completamente el molino como rellenador, incluida la charola. **NOTA:** Aunque una sola persona puede rellenar salchichas con este molino,

se recomienda que dos personas lleven a cabo esta operación. Para mejores resultados cuando utilice el embudo de rellenado de acero inoxidable de alta velocidad de 10 mm, no muele la carne a través de la placa de molido de 4.5 mm.

3. Coloque la carne molida y sazonada en la charola. No llene demasiado la charola, coloque solo suficiente carne para dejar abierta el área de la tolva de alimentación.

4. Deslice una punta para salchichas sobre el embudo de rellenado. Ver la sección de "Información de salchichas / fundas" de este manual para más información.

5. Deslice entre 4" y 6" (10-15 cm) de funda desde el extremo del embudo de rellenado y haga un nudo en el extremo de la funda. Si está utilizando una funda fibrosa de gran diámetro, mantenga el extremo cerrado de la funda firmemente contra el extremo del embudo de rellenado (**FIGURA 11**).

6. Asegúrese de que el molino se encuentra en la posición "OFF" (apagado). Conecte el molino al suministro de corriente.

### ¡ADVERTENCIA!

**NUNCA** opere el molino sin la bandeja/guarda de seguridad fija en su lugar. Para evitar lesiones graves o fatales, nunca meta las manos en ninguna abertura del molino. **SIEMPRE** utilice el pisón para empujar la carne en el cabezal del molino. Lea y entienda completamente todas las instrucciones y advertencias antes de usarlo.

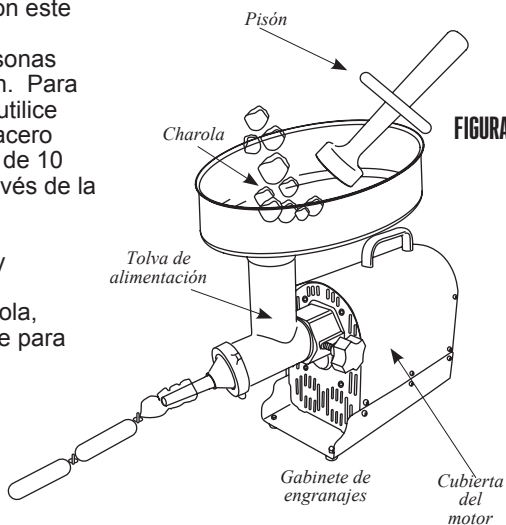


FIGURA 11

**ADVERTENCIA** Es importante seguir los lineamientos de "Seguridad en alimentos" establecidos en este manual. Visite el sitio Web de USDA para ver las instrucciones actualizadas.



7. Lleve el molino a la posición “FWD” (adelante). Con cuidado, comience a introducir cubos de carne en la tolva de alimentación. **UTILICE ÚNICAMENTE EL PISÓN PARA EMPUJAR LA COMIDA DENTRO DEL CABEZAL, NO UTILICE SUS DEDOS NI NINGÚN OTRO OBJETO.**

8. Sostenga la funda en su lugar con una mano mientras alimenta la mezcla de salchichas a través del molino. A medida que la carne llena la funda, colóquela suavemente sobre una superficie limpia y seca. **NOTA:** Cuando utilice fundas naturales, utilice una superficie húmeda.

9. No rellene las últimas 3” - 4” (7.5-10 cm) de la funda. Después de rellenar toda la longitud de la funda, gire el extremo abierto para cerrarlo, luego amarre firmemente los extremos de la funda para cerrarlos. Haga giros para formar eslabones.

10. Siempre que rellene salchichas, rellene lentamente la funda para evitar bolsas de aire. Si aparecen bolsas de aire en la salchicha, utilice un alfiler para perforar las burbujas. Los pequeños agujeros se cerrarán de forma natural.

## FUNCIÓN DE REVERSA

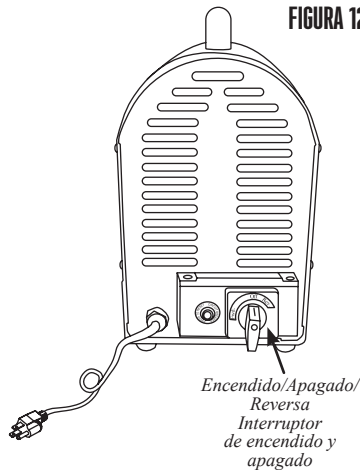
(Sólo es aplicable para #22 y #32)

. Permita que el motor del molino SE **DETENGA COMPLETAMENTE** antes de ponerlo en reversa (“REV”) (**FIGURA 12**).

. Permita que el motor del molino SE **DETENGA COMPLETAMENTE** antes de ponerlo en “FWD” (adelante) después de utilizar la función de reversa.

. Nunca opere el molino en reversa durante más de 5 segundos seguidos.

FIGURA 12



## ¡ADVERTENCIA!

**NUNCA** opere el molino sin la bandeja/guarda de seguridad fija en su lugar. Para evitar lesiones graves o fatales, nunca meta las manos en ninguna abertura del molino. **SIEMPRE** utilice el pisón para empujar la carne en el cabezal del molino. Lea y entienda completamente todas las instrucciones y advertencias antes de usarlo.

## INSTRUCCIONES PARA EL CORTADOR DE CIRCUITOS

Este molino está equipado con un cortador de circuitos como medida de precaución. Si el molino deja de funcionar, siga estos pasos para solucionarlo:

1. Ponga el molino en la posición "Off" (apagado).
2. Revise el molino para ver si hay una obstrucción en el cabezal del molino. Si la hay, es necesario retirar la obstrucción como se describe en los "Consejos para el molido".
2. Presione el botón de reinicio del cortador de circuitos (**FIGURA 13**).
3. Vuelva a encender el molino y continúe moliendo.

4. Si el molino aún no gira, verifique que el tomacorriente esté funcionando de forma adecuada. Con este otro electrodoméstico para ver si funciona en ese tomacorriente. Verifique que no se haya disparado el cortador de circuitos de la casa. Si ninguno de los anteriores pasos soluciona la situación, o si el cortador de circuitos apaga el molino de manera repetida, póngase en contacto con servicio al cliente para mayor asistencia.

¡ADVERTENCIA! NO continúe utilizando el molino si el cortador de circuitos se dispara de forma repetida. Seguir utilizándolo puede causar daños permanentes al molino y anula la garantía.

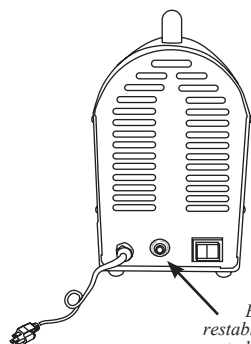


FIGURA 13

Botón de restablecimiento del cortador de circuitos

**POR FAVOR TOME NOTA:** Este molino tiene todos los engranajes de la transmisión en acero endurecido. Esto hace que el molino funcione a un volumen y temperatura mayor de otros molinos. Esto es normal y no afecta el desempeño del molino.

## CONSEJOS PARA EL MOLIDO

- . NO apriete demasiado la tuerca del anillo frontal. Debe estar firmemente apretada
- . Asegúrese de que las navajas de la cuchilla de molido están planas sobre la placa del molino.
- . NO opere el molino sin carne en el cabezal. Hacer funcionar el molino en seco podría dañar el cabezal y el tornillo sinfín.
- . SIEMPRE lubrique el cabezal, la placa de molido y la cuchilla de molido con un atomizador de silicona para alimentos después de limpiarlos.
- . Si la placa del molino se atasca durante la operación, siga estos pasos para restablecer el desempeño normal.
  - . Apague el molino y desconecte el cable de corriente del tomacorriente.
  - . Remueva la tuerca del anillo frontal y la placa de molido.
  - . Limpie muy bien la placa de molido. Asegúrese de que todos los agujeros estén limpios.
  - . Vuelva a instalar la placa de molido y la tuerca el anillo frontal.
  - . Vuelva a conectar el molino al tomacorriente.
  - . Continúe mordiéndolo.
  - . Repita si es necesario.

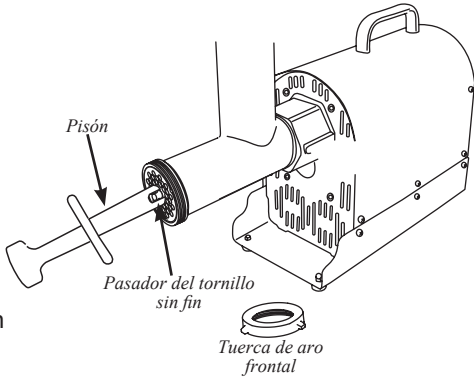
# INSTRUCCIONES PARA EL PRENSADORRETIRA EL SINFIN

**¡ADVERTENCIA!** ¡Antes de limpiar, ensamblar o desarmar el molino, cerciórese de que el motor del molino esté APAGADO y que LA CLAVIJA ESTÉ RETIRADA DEL TOMACORRIENTE O FUENTE DE ENERGÍA!

Siga las instrucciones a continuación para desarmar el cabezal de la picadora de carne con el prensador:

FIGURA 14

1. Desatornille la tuerca de seguridad delantera.
2. Coloque el extremo de la manivela del prensador en el pasador del sinfin. La abertura del prensador debería estar totalmente fija alrededor de la ranura del pasador (FIGURA 14).

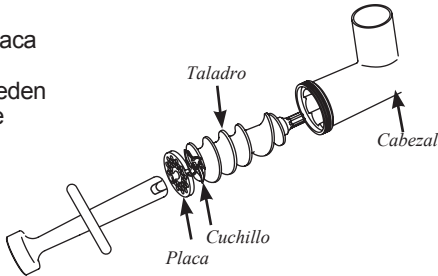


3. Tire del prensador hacia usted, hacia afuera de la picadora. El sinfin comenzará a separarse del cabezal de la picadora.

4. Utilice la mano con la que no sostiene el prensador para guiar al sinfin y separarlo por completo del cabezal.

FIGURA 15

5. El sinfin, la cuchilla y la placa para picadora ahora están separadas del cabezal y pueden limpiarse como corresponde (FIGURA 15).



**¡ADVERTENCIA!**

NUNCA opere el molino sin la bandeja/guarda de seguridad fija en su lugar. Para evitar lesiones graves o fatales, nunca meta las manos en ninguna abertura del molino.

SIEMPRE utilice el pisón para empujar la carne en el cabezal del molino.

Lea y entienda completamente todas las instrucciones y advertencias antes de usarlo.

# SEGURIDAD DE LOS ALIMENTOS

Hay que seguir ciertas reglas básicas al manejar alimentos. Las reglas son **COCINAR, SEPARAR, LIMPIAR** y **ENFRIAR**.

## COCINAR

Es muy importante cocinar los alimentos a una temperatura interna que destruya cualquier bacteria que esté presente. Últimamente se ha puesto mucha atención en la higiene de las hamburguesas y otros alimentos elaborados con carne molida y con razón. Cuando se muele la carne, las bacterias presentes en la superficie se revuelven en toda la mezcla de la carne molida. Si la carne molida no se cuece a por lo menos 71 °C a 74 °C (160 °F - 165 °F), no se destruyen las bacterias y hay una buena posibilidad de enfermarse.

Las piezas de carne sólida, como los filetes y las chuletas, no tienen en su interior bacterias peligrosas como le E. coli, por lo que pueden servirse menos cocidas. Aun así, cualquier corte de vacuno debe cocinarse a una temperatura interna de por lo menos 63 °C (145 °F) (medio cocido). La temperatura recomendable para las aves es de 82 °C (180 °F) y los cortes sólidos de carne de puerco deben cocinarse a 63 °C (145 °F). Los huevos también deben consumirse bien cocidos. Si usted va a preparar merengue u otra receta que lleve huevos crudos, compre huevos pasteurizados o use polvo preparado de merengue.

## SEPARAR

SIEMPRE DEBE separar los alimentos que se comen crudos y los que se vayan a cocer antes de comerse. La contaminación cruzada se presenta cuando la carne o los huevos crudos entran en contacto con alimentos que se van a consumir sin cocimiento. Ésta es una importante causa de intoxicaciones. Siempre use una doble envoltura para la carne cruda y colóquela en la repisa más baja del refrigerador, para que no haya manera de que su jugo gotee en las verduras frescas. Use la carne cruda 1 o 2 días después de comprarla, o congélela para guardarla más tiempo. Descongele la carne congelada en el refrigerador, no en el mesón de la cocina.

Cuando ase o cocine carne o pescado crudo, coloque la carne ya cocida en un platón limpio. No use el mismo platón que usó para llevar la carne al asador. Lave los utensilios usados en el asador después de haber volteado los alimentos por última vez, así como las cucharas y espátulas usadas para freír o para voltear la carne al estarla cocinando.

No olvide lavarse las manos después de manejar carne o huevos crudos. Es absolutamente necesario lavarse las manos con agua y jabón o usar una toallita húmeda antibacteriana después de tocar carne o huevos crudos. No lavarse las manos o las superficies cuando se cocina es una causa importante de contaminación cruzada.

## LIMPIAR

Lávase las manos y las superficies de trabajo con frecuencia mientras esté cocinando. Lávase con agua tibia y jabón durante por lo menos 15 segundos; después séquese con una toalla de papel.

## ENFRIAR

Es muy importante enfriar los alimentos. La zona de peligro para la multiplicación de bacterias está entre los 4 °C y 60 °C (40 °F - 140 °F). El refrigerador debe estar a 4 °C (40 °F) o menos; el congelador debe estar a -17 °C (0 °F) o menos. Regla básica: sirva calientes los alimentos calientes y sirva fríos los alimentos fríos. Use platos calientes para mantener caliente la comida a la hora de servirla. Use baños de agua con hielo para mantener fría la comida fría. Nunca deje ningún alimento a temperatura ambiente por más de 2 horas; o por más de 1 hora si la temperatura ambiente es de 32 °C (90 °F) o superior. Cuando empaque para un picnic, asegúrese de que la comida ya esté fría cuando la meta en la canasta aislada. La canasta no enfría la comida; sólo la mantiene fría si está debidamente empacada con hielo. Los alimentos cocidos calientes deben colocarse en recipientes bajos y refrigerarse de inmediato para que se enfríen rápidamente. No olvide cubrir los alimentos una vez que se enfríen..

NOTA: Debe tener especial consideración al usar venado y otra carne de caza, ya que puede contaminarse durante la preparación de campo. El venado suele mantenerse a temperaturas que podrían permitir el crecimiento de bacterias, como cuando se transporta. Consulte con el Departamento de Carnes y Aves de la USDA si tiene más preguntas o quiere más información sobre higiene de carne y alimentos.

# INFORMACIÓN DE LA SALCHICHA

## SELECCIÓN DE CARNE PARA HACER SALCHICHAS

La elaboración de salchichas ha evolucionado a lo largo de muchos años y generaciones, y como resultado, hay un sinnúmero de tipos de salchichas que puede hacer usando los ingredientes básicos como carne, grasa y algunas especias cuidadosamente combinadas. A continuación se presentan algunos lineamientos sencillos que le ayudarán a elaborar salchichas con el mejor sabor posible.

Se puede utilizar cualquier tipo de carne para elaborar embutidos: carne de cerdo, de res, de bisontes, de alces y de caribúes, incluso con la de antílope se hacen excelentes salchichas. En la preparación de la carne de venado o de otras carnes rojas de caza es importante quitar toda la grasa de la carne, ya que el sebo de la carne roja de caza se vuelve rancio en tan sólo cinco días. Reemplace la grasa, con grasa de cerdo o de vaca, dependiendo del tipo de producto que esté elaborando, en una proporción de 0.5 kg (1 lb) de grasa por cada 1.8 kg (4 lb) de carne de caza.

El contenido de grasa de la salchicha afectará el sabor, la textura, las características de cocción y la vida útil de su producto. La mayoría de las salchichas comerciales tienen un contenido de grasa de alrededor del 20%. El uso de menos de 12% de grasa dará lugar a una salchicha muy seca a la degustación, mientras que con más del 20% puede dar como resultado una salchicha sin sabor y pegajosa que será difícil de cocinar.

## CURADO

Es importante curar adecuadamente las carnes para conservarlas, y destruir los microorganismos indeseables en las superficies de la carne que causan su descomposición así como enfermedades derivadas de ésta. Hay muchas medidas que son de ayuda en este proceso, como el ahumado, la cocción, el secado, la refrigeración, y la adición de ingredientes para curado. Los medios más antiguos para lograr esto eran mediante la introducción de la sal en la carne. La resistencia de las bacterias a la sal varía ampliamente entre los diferentes tipos de bacterias. El crecimiento de algunas bacterias se inhibe por concentraciones de sal tan bajas como el 3% en por ejemplo la Salmonela, mientras que otros tipos son capaces de sobrevivir en concentraciones mucho más altas de sal, por ejemplo el estafilococo. Afortunadamente, el crecimiento de muchos organismos no deseados que normalmente se encuentran en los productos de carne y de aves de corral curadas se inhibe a concentraciones bajas de sal.

El curado moderno se basa en nitratos y es muy científico. La mejor manera de asegurar un curado apropiado es comprar uno de los muchos agentes de curado disponibles en el mercado, ya sea en un supermercado o con su carnicero local. Una forma de curdo muy común es el Polvo de Praga, que está disponible en dos tipos (#1 y #2).

## FORRO

Existen muchos tipos diferentes de forros disponibles, la elección correcta depende de su la preferencia personal, así como del tipo de salchicha que desea elaborar. Para la mayoría de las salchichas, sus opciones son naturales o de colágeno. No deje que los nombres le engañen; los forros de colágeno no son un producto sintético. Están hechos de piel de res y otros tejidos. Los forros de colágeno son uniformes en tamaño y textura y casi no requieren preparación. Los forros "naturales" son los intestinos de cordero, de ovejas, de cerdos o de res. Son menos uniformes en tamaño y requieren una preparación considerable. Por estas razones, más del 75% de las salchichas de fabricación comercial en los EE.UU. se hace con forro de colágeno. También hay forros fibrosos no comestibles que se utilizan para algunas variedades de salchichas y mortadelas ahumadas.

## TIPOS DE SALCHICHAS

La mayoría de las salchichas caen dentro de una de cuatro categorías: Frescas, ahumadas, cocidas o secas. Todas las salchichas, excepto las secas, requieren ser refrigeradas para su almacenamiento. También hay una subcategoría de salchichas ahumadas crudas.

Entre las salchichas ahumadas frescas y las crudas, encontrará sabores como kielbasa o salchicha polaca, salchicha italiana, salchichas para desayuno y muchos otros. Las salchichas ahumadas frescas y crudas requieren cocción antes de comerse y también requieren de almacenamiento refrigerado.

Las salchichas ahumadas y las cocidas incluyen al salami, a la mortadela, a los siempre populares perros calientes y a muchas otras. El ahumado adecuado requiere un ahumadero o un ahumador. Estas pueden ser estructuras simples de fabricación casera hechas de bidones metálicos o incluso con refrigeradores viejos o pueden ser complejas unidades prefabricadas. La mayoría de las salchichas ahumadas se calientan antes de servir. Muchas personas piensan que una salchicha ahumada va a durar mucho más tiempo sin echarse a perder, pero esto no es cierto. Las salchichas ahumadas deben ser tratadas de la misma manera que las salchichas frescas en cuanto al almacenamiento.

Las salchichas secas requieren un tiempo de procesamiento más largo, ya que se secan al aire durante un largo período de tiempo. Algunos tipos de salchichas secas son el pepperoni, el jamón y una variedad de productos de jamón, por nombrar sólo unos pocos. Las condiciones en las que se seca la carne son muy exigentes; la temperatura, el tiempo y la humedad deben ser monitoreados cuidadosamente para obtener un producto seguro y delicioso.

## ALMACENAMIENTO

Es importante recordar que la salchicha perderá su sabor mientras más tiempo permanezca almacenada. Se recomienda que sólo elabore las salchichas que necesite para un período de 4-6 semanas. Incluso las salchichas congeladas empezarán a perder sabor notablemente después de 6 semanas. Las salchichas congeladas deben descongelarse lentamente en el refrigerador antes de cocinarse o servirse. El descongelamiento rápido del producto también degradará el sabor.

# INFORMACIÓN DE GARANTÍA WESTON

## ¡GUARDE ESTA INFORMACIÓN DE GARANTÍA PARA SUS REGISTROS!

Weston Brands LLC garantiza al COMPRADOR AL DETALLE ORIGINAL de este producto que si funciona en cumplimiento con las instrucciones impresas adjuntas, entonces por un período de 1 año desde la fecha de compra, el producto se considerará libre de defectos respecto del material y mano de obra.

La Tarjeta de Garantía, junto con una copia del recibo original debe ser recibida por Weston Brands LLC dentro de 30 días desde la fecha de compra para hacer efectiva la garantía. Si no se envía la Tarjeta de Garantía completamente llena, junto con una copia del recibo original, anulará la garantía.

El producto debe ser enviado o despachado mediante flete prepago a Weston Brands LLC para efectuar los servicios establecidos en la garantía, en su envase original o en un envase similar que garantice igual grado de protección. El daño producto del despacho no es responsabilidad de la compañía. Weston Brands LLC cobra \$35.00 por concepto de mesón por hora. NOTA: Las reparaciones no se iniciarán sin la autorización del cliente. El costo por despacho de devolución al cliente se agregará a la factura por reparación.

Antes de devolver el producto para la Reparación según la Garantía, el producto debe estar completamente limpio y libre de partículas de alimentos u otros fragmentos. El incumplimiento del comprador respecto de esta norma resultará en el envío de la unidad sin reparación. En algunos casos, podría aplicar un sobrecargo de \$50 por concepto de limpieza.

Weston Brands LLC reparará (o a su decisión, cambiará) el producto sin cobro, si a juicio de la compañía, se ha demostrado que está defectuoso respecto de la mano de obra y material del vendedor, dentro del período de garantía.

Los cambios de productos nuevos o reacondicionados por partes defectuosas de fábrica serán suministrados por un (1) año desde la fecha de compra. Las partes cambiadas están garantizadas por el resto del período original de garantía.

Para las reparaciones que no estén cubiertas en la garantía, comuníquese con Servicio al Cliente de Weston Brands LLC al 1-800-814-4895 de lunes a viernes, desde las 8 a.m. hasta las 5pm ET (Desde fuera de los Estados Unidos comuníquese al 001-216-901-6801) para solicitar un Número de Autorización de Devolución de la Mercadería (Número RMA). Weston Brands LLC rechazará todo envío que no contenga este número. **NO DEVUELVA LA UNIDAD SIN LA AUTORIZACIÓN DE WESTON BRANDS LLC.**

**LIMITACIONES:** La garantía queda invalidada si el producto se utiliza para algún objetivo que no sea aquél para el cual está diseñado. El producto no debe haber sido previamente alterado, reparado, ni tampoco se le debe haber hecho servicio técnico por cualquier otra persona que no sea de Weston Brands LLC. Si corresponde, no se debe alterar o eliminar el número de serie. El producto no debe estar sujeto a accidentes durante el transporte o estando en posesión del cliente, no debe ser mal usado, mal tratado, u operado en forma contraria a las instrucciones de este manual. Esto incluye toda falla causada por negligencia de mantenimiento razonable o necesaria, voltaje de línea inadecuado o actos de la naturaleza. Esta garantía es intransferible y sólo se aplica a ventas realizadas en Estados Unidos y Canadá.

Salvo en la medida en que lo prohíba la ley correspondiente, ninguna otra garantía expresa o implícita, incluyendo comerciabilidad o aptitud de la garantía para un objetivo en particular, aplicará a este producto. Bajo ninguna circunstancia Weston Brands LLC será responsable de daños emergentes sostenidos en conexión con dicho producto y Weston Brands LLC no asume ni autoriza a ningún representante u otra persona a asumir por él ninguna obligación o responsabilidad que no sea aquella expresamente establecida en esta tarjeta de garantía. Toda garantía correspondiente implícita también se limita a un período de un (1) año de la garantía limitada.

Esta garantía cubre sólo el producto y sus partes específicas, no cubre los alimentos u otros productos procesados en él. Weston no se hace responsable por partes faltantes o dañadas en productos con descuento/en oferta, reventa, o en promoción final, sobre los cuales el vendedor puede no ser capaz de garantizar una funcionalidad completa, o la integridad de la unidad.

**CORTE POR LA LÍNEA PUNTEADA Y ENVÍE LA TARJETA DE GARANTÍA JUNTO CON UNA COPIA DE SU RECIBO DE COMPRA ORIGINAL A**

**Weston Brands LLC / WARRANTY**

**7575 E. Pleasant Valley Rd., Independence, OH 44131 USA**

## TARJETA DE GARANTÍA WESTON

ENVÍE ESTA TARJETA JUNTO CON UNA COPIA DE SU RECIBO DE COMPRA ORIGINAL A: WESTON BRANDS LLC/WARRANTY, 7575 E. Pleasant Valley Rd., Independence, OH 44131 USA

Nombre del Cliente: \_\_\_\_\_

Dirección: \_\_\_\_\_

Ciudad/Estado/Código Zip/País: \_\_\_\_\_

Número Telefónico: \_\_\_\_\_

Dirección de Correo Electrónico: \_\_\_\_\_

Copia del recibo incluido

Fecha de Compra Original: \_\_\_\_\_

Modelo del Producto #: \_\_\_\_\_

# de Serie (Si corresponde): \_\_\_\_\_



# WESTON

RECONNECT WITH REAL FOOD

CAUTION  
NEVER OPERATE GRINDER WITHOUT THE  
TRAY SECURED IN PLACE.  
NEVER REACH INTO ANY GRINDER INLET.



**LISTED**  
Électrique et  
remplisseur de  
saucisse  
32 AP  
E258759



ANSI / NSF 8  
Motorisé Commercial  
Homologué Pour  
Préparation de Produits  
Alimentaires  
< 33ZJ >

## pro series™ HACHOIR DE VIANDE

10-0501-W (#5 HACHOIR DE VIANDE)  
10-0801-W (#8 HACHOIR DE VIANDE)  
10-1201-W (#12 HACHOIR DE VIANDE)

10-2201-W (#22 HACHOIR DE VIANDE)  
10-3201-W (#32 HACHOIR DE VIANDE)

PARCE QUE NOS PRODUITS BÉNÉFICIENT DE PERFECTIONNEMENTS CONSTANTS APPORTÉS EN USINE, LES ILLUSTRATIONS PRÉSENTES PEUVENT ÊTRE LÉGÈREMENT DIFFÉRENTES DU PRODUIT REÇU. 042616



## **AVERTISSEMENT!**

**NE JAMAIS utiliser le hachoir sans le dispositif de sécurité/ plateau en place.**

**Pour éviter les blessures graves, voire mortelles, NE JAMAIS METTRE LES MAINS dans l'entrée du hachoir.**

**TOUJOURS utiliser le poussoir d'aliments pour pousser la viande dans la tête du hachoir.**

**Lire et bien comprendre toutes les instructions ainsi que les messages d'avertissement avant l'utiliser l'appareil.**



# IMPORTANTES RÈGLES DE SÉCURITÉ

LIRE ET COMPRENDRE COMPLÈTEMENT TOUTES LES DIRECTIVES ET AVERTISSEMENTS AVANT D'UTILISER CE PRODUIT. LE PLUS IMPORTANT EST VOTRE SÉCURITÉ! LE DÉFAUT D'OBSERVER LES PROCÉDURES ET MISES EN GARDE PEUT ENTRAÎNER DES BLESSURES GRAVES OU DES DOMMAGES MATÉRIELS. N'OUBLIEZ PAS : VOTRE SÉCURITÉ PERSONNELLE EST VOTRE RESPONSABILITÉ!

- NE PAS** utiliser le **hachoir** sans le **dispositif de protection/plateau**.
- TOUJOURS DÉBRANCHER** le **hachoir** de la source d'alimentation avant de procéder à des opérations de réparation/entretien, au changement d'accessoires ou nettoyage de l'unité.
- Brancher le **hachoir** dans une prise murale standard de 120 V, 60 Hz. Vérifier que la tension indiquée sur l'appareil correspond à la tension locale avant de connecter l'appareil.
- NE PAS UTILISER** le **hachoir** si le **cordon d'alimentation**, la **fiche** ou toute autre pièce de l'appareil sont endommagés. Si le **cordon d'alimentation** ou le **hachoir** sont endommagés, appeler le service clientèle. **NE PAS REMPLACER LE CORDON**. S'assurer que le **cordon d'alimentation** ne se trouve pas sur la surface de travail. Vérifier que toutes les pièces fonctionnent correctement et comme prévu. Vérifier l'alignement des pièces mobiles ou tout autre facteur qui pourrait avoir une incidence sur le fonctionnement.
- NE JAMAIS** utiliser des accessoires ou des pièces d'autres fabricants. Si vous utilisez des pièces d'autres fabricants, la GARANTIE SERA ANNULÉE et il y a risque d'électrocution ou de blessure.
- POUR VOUS PROTÉGER CONTRE TOUT RISQUE DE CHOC ÉLECTRIQUE: NE PAS IMMERGER LE CORPS PRINCIPAL DU HACHOIR DANS DE L'EAU OU DU LIQUIDE. S'ASSURER QUE LE HACHOIREST DÉBRANCHÉE DE LA SOURCE D'ALIMENTATION AVANT DE PROCÉDER AU NETTOYAGE.** Laver toutes les pièces à la main et bien les sécher ensuite. Nettoyer soigneusement toutes les pièces qui entrent en contact avec les aliments avant d'utiliser l'appareil. **NE JAMAIS** rincer le **moteur du hachoir** de l'appareil sous l'eau courante. Toujours utiliser un chiffon humide pour nettoyer le **moteur du hachoir**.
- Réduire le risque d'un démarrage accidentel. S'assurer que l'**interrupteur de mise en marche/arrêt** est en position d'arrêt (OFF) avant d'effectuer la connexion à l'alimentation.
- TOUJOURS TENIR LES DOIGTS À L'ÉCART de la vis sans fin et des couteaux tranchants. NE JAMAIS METTRE LES MAINS DANS LE HACHOIR.** Il y a un risque de graves blessures. **TOUJOURS UTILISER LE POUSSOIR D'ALIMENTS FOURNI. NE JAMAIS POUSSER LES ALIMENTS AVEC LES MAINS.**
- NE JAMAIS** utiliser les doigts pour enlever la nourriture de la **plaque de hachage** alors que le **hachoir** est toujours en marche. **VOUS RISQUEZ DE VOUS BLESSER SÉRIEUSEMENT.**
- NE JAMAIS LAISSER LE HACHOIR SANS SURVEILLANCE.** Par précaution, **DÉBRANCHER** le **hachoir** de la source d'alimentation avant de quitter la zone de travail. Toujours superviser les appareils en présence d'enfants. **Cet appareil NE DOIT PAS** être utilisé par des enfants.
- Éviter tout contact avec les pièces en mouvement. Attendre que toutes les pièces mobiles soient immobilisées avant de retirer des pièces du **hachoir**.
- ATTACHER** les cheveux et les vêtements et retrousser les manches longues avant de mettre l'appareil en marche et d'utiliser le **hachoir**. **RETIRER** les cravates, bagues, montres, bracelets ou autres bijoux avant de faire fonctionner le **hachoir**.
- S'assurer que le **hachoir** est posé sur une surface de travail stable. S'assurer que les **pieds du hachoir** sont stables.
- NE PAS** broyer d'os, de noix ou d'autres objets durs. **NE PAS** laisser le cordon entrer en contact avec une surface chaude. **NE PAS** utiliser sur une cuisinière ou dans un four. Vérifier que la tension indiquée sur l'appareil correspond à la tension locale avant de connecter l'appareil.
- NE PAS** faire fonctionner le **hachoir** sans viande dans la **tête**. La **tête** et la **vis sans fin** risquent de subir de sérieux dommages.
- PORTER UNE PROTECTION POUR LES YEUX.** Porter des lunettes de sécurité. Les lunettes de vue ne sont pas des lunettes de sécurité. Les lunettes de sécurité doivent être conformes aux exigences de la norme ANSI Z87.1. Remarque: Les lunettes de sécurité agréées ont la marque Z87 imprimée ou gravée dessus.
- NE PAS** utiliser à l'extérieur.
- NE PAS** utiliser le **hachoir** sous l'effet d'alcool et de drogue.
- NE PAS** laisser le **cordon d'alimentation** pendre du bord de la surface de travail.
- NE PAS** utiliser le **hachoir** si l'appareil est froid. La température du **hachoir** doit être d'au moins de 7 °C avant de commencer.
- Le **carter d'engrenage** et le **covercle du moteur** peuvent devenir chauds pendant le fonctionnement. Cette condition n'est pas anormale. **NE PAS** toucher ces pièces pendant le fonctionnement et attendre qu'elles aient refroidi après utilisation.
- AVERTISSEMENT:** Des os éclatés peuvent entrer dans le tube digestif d'un animal et entraîner de graves dommages, voire la mort en perforant les parois intestinales ou même l'estomac
- Les hachoirs électriques pour viandes de Weston Pro Series (n° 22 et n° 32) peuvent hacher des os d'animaux plus petits et plus souples comme ceux du lapin, des poulets entières\* ou des morceaux de poulet et d'autres oiseaux, grâce à la puissance et la fabrication métallique des unités.
- Ne pas hacher des animaux de grande taille dans la mesure où ils sont difficiles à traiter (par exemple, des os de gibier, de porcs ou des vaches).

## CONSERVER CES DIRECTIVES!

## DESCRIPTION DE LA PIÈCE

NUMÉRO DU SCHEMA	NUMÉRO DU SCHEMA	#5 10-0501-W	#8 10-0801-W	#12 10-1201-W	#22 10-2201-W	#32 10-3201-W
1	ÉCROU ANNULAIRE AVANT	08-0542	08-0842	08-1242	08-2242	08-3242
2	PLAQUE DE HACHAGE 4,5 MM	29-0504	29-0804	29-1204	29-2204	29-3204
3	PLAQUE DE HACHAGE 7 MM	29-0507	29-0807	29-1207	29-2207	29-3207
4	COUPEAU DE BROYAGE	29-0550	29-0850	29-1250	29-2250	29-3250
5	GOUILLE DE VIS SANS FIN	08-0549	08-0849	08-1249	08-2246	08-3246
6	VIS SANS FIN	08-0502-U	08-0802-U	08-1202	08-2202-N	08-3202-N
7	ROULEMENT DE VIS SANS FIN	08-0547	08-0847	08-0847	08-3047	08-3047
8	EN ACIER INOXYDABLE	08-0509-W	08-0809-W	08-1209	08-2209-W	08-3209-W
9	PIEDS EN CAOUTCHOUC AVEC ECROUS (4)	08-2007	08-2007	08-2007	08-2007	08-2007
10	BOUTON DE VERROUILLAGE DE LA TÊTE	08-2005	08-2005	08-2005	08-2005	08-2005
11	PLATEAU EN ACIER INOXYDABLE	08-0524	08-0824	08-1224	08-2224	08-3224
12	PLATEAU DE RANGEMENT	08-0521	08-0821	08-1221	08-2221	08-3221
13	PILON D'EXTRACTION DE LA VRILLE	09-0577	09-0877	09-0877	09-2277	09-2277
14	COUVERCLE DE PLATEAU	08-0522	08-0822	08-1222	08-2222	08-3222
15	AIGUISEUR DE COUPEAU	08-0803	08-0803	08-0803	08-0803	08-0803
PAS MONTRÉ	DISPOSITIF DE SÉCURITÉ	N/A	N/A	N/A	08-2223	08-3223
16	ASSEMBLEE STUFFER	08-2501-W	08-2501-W	08-2501-W	08-2501-W	08-2501-W

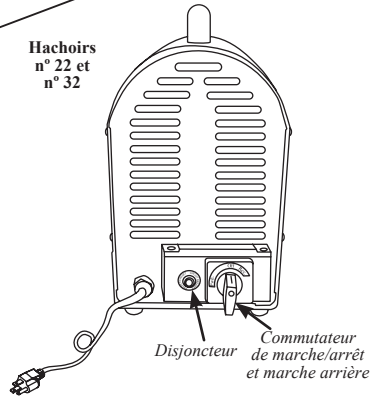
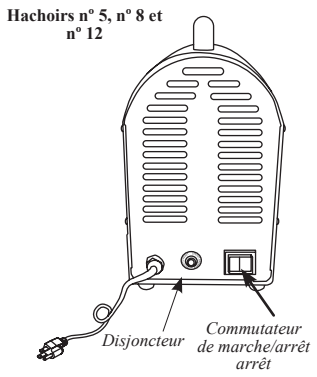
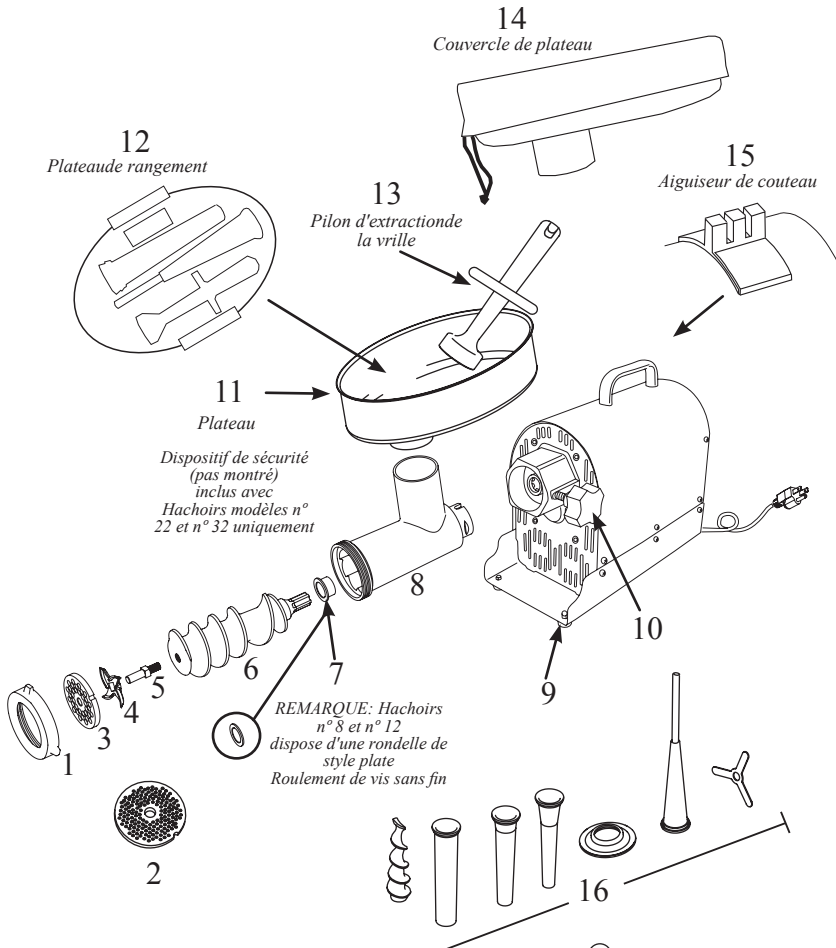
## ASSEMBLEE STUFFER

ÉTOILE DE BOURRAGE EN ACIER INOXYDABLE
ENTONNOIR 10 MM EN ACIER INOXYDABLE À VITESSE ÉLEVÉE
SUPPORT POUR ENTONNOIR DE BOURRAGE
ENTONNOIR 20 MM
ENTONNOIR 30 MM
ENTONNOIR 40 MM
VIS SANS FIN EN PLASTIQUE À VITESSE ÉLEVÉE BREVETÉE

N'hésitez pas à visiter notre site [Web.WestonProduct.com/support](http://Web.WestonProduct.com/support) si un composant est cassé, l'outil fonctionne mal, ou pour commander un nouveau mode d'emploi.

**WestonProducts.com**

Veillez appeler Weston Products, LLC au numéro sans frais : 1-800-814-4895  
Du lundi au vendredi: de 8h00 à 17h00 ET. En dehors des États-Unis, veuillez appeler le 001-216-901-6801



**AVERTISSEMENT!** Avant de procéder au nettoyage, au montage ou au démontage de l'appareil, s'assurer que l'appareil est HORS TENSION et que la FICHE A ÉTÉ RETIRÉE DE LA PRISE/SOURCE D'ALIMENTATION!

## INSTRUCTIONS DE DÉBALLAGE

. Retirez toutes les pièces de matériaux d'emballage et vérifiez pour être sûr qu'il n'y a pas de pièces manquantes.

. Conservez les matériaux d'emballage pour le stockage des pièces Grinder Grinder lorsqu'il ne sert pas.

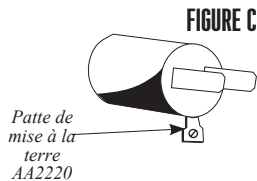
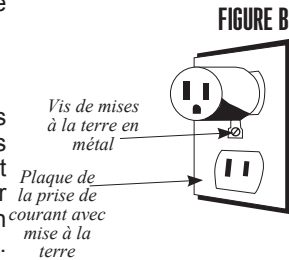
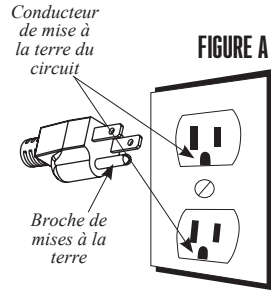
## INSTRUCTIONS DE MISE À LA TERRE

### MISE À LA TERRE

Cet appareil doit être mis à la terre lorsqu'il est utilisé afin de protéger son utilisateur contre les décharges électriques. Cet appareil est équipé d'un cordon d'alimentation polarisé et d'une fiche à trois lames permettant de le brancher à une prise de courant mise à la terre. La fiche de cet appareil ressemble à celle illustrée à la figure A. Un adaptateur, illustré à la figure B, doit être utilisé pour brancher la fiche polarisée dans une prise de courant à deux trous. La patte de mise à la masse qui dépasse de l'adaptateur doit être branchée à une masse permanente, comme une prise de courant correctement mise à la terre, à l'aide d'une vis en métal, comme il est illustré à la figure C.

### RALLONGES

Utiliser uniquement des rallonges polarisées qui comportent des fiches à trois lames et des connecteurs de rallonges à trois lames pouvant accepter la fiche polarisée de cet appareil. Utiliser uniquement des rallonges ayant une classification électrique égale ou supérieure à celle de l'appareil. NE PAS utiliser de rallonges endommagées. Vérifier l'état de la rallonge avant de l'utiliser et la remplacer si elle est endommagée. NE PAS faire une utilisation abusive de la rallonge et ne pas la débrancher en tirant sur le cordon. Garder le cordon d'alimentation à bonne distance de la chaleur et des rebords tranchants.



# INSTRUCTIONS DE NETTOYAGE

**AVERTISSEMENT!** Avant de procéder au nettoyage, au montage, au montage ou au démontage de l'appareil, s'assurer que l'appareil est HORS TENSION et que la FICHE A ÉTÉ RETIRÉE DE LA PRISE/SOURCE D'ALIMENTATION!

1. Retirer l'ensemble tête du moteur du hachoir.
  2. Démonter l'ensemble de tête.
  3. Retirer le dispositif de sécurité du plateau, tel que stipulé dans la section Instructions relatives au dispositif de sécurité. Le dispositif de sécurité est uniquement disponible avec les hachoirs, modèles n°22 et n°32.
  4. Laver toutes les pièces qui entrent en contact avec la viande dans de l'eau chaude et savonneuse. **TOUJOURS NETTOYER IMMÉDIATEMENT APRÈS EMPLOI. NE JAMAIS IMMERGER LE MOTEUR DANS L'EAU OU TOUT AUTRE LIQUIDE.**
  5. Rincer les pièces du hachoir avec de l'eau claire et chaude et les sécher IMMEDIATELEMENT.
  6. Lubrifier entièrement la tête, les plaques et le couteau avec un vaporisateur de silicone de qualité alimentaire avant et après chaque utilisation.
  7. Nettoyer le couvercle du moteur ainsi que le boîtier d'engrenage avec un chiffon humide et bien essuyer ensuite. **NE JAMAIS IMMERGER LE MOTEUR DANS L'EAU OU TOUT AUTRE LIQUIDE.**
- IMPORTANT: Toutes les pièces métalliques doivent être vaporisées de silicone qualité alimentaire en prévention de la rouille; si ces pièces ne sont pas protégées correctement, elles vont très rapidement commencer à rouiller. **NE PAS** utiliser de pièces rouillées. Des informations sur les commandes sont disponibles à la dernière page de ce manuel d'instructions.
8. Assurez-vous que le broyeur et tous les composants sont secs avant de monter complètement ou de le ranger.

## AVERTISSEMENT!

**NE JAMAIS** utiliser le hachoir sans le plateau/dispositif de sécurité installés.  
Pour éviter les blessures graves voire mortelles, **NE JAMAIS** mettre les mains dans l'entrée des hachoirs.  
**TOUJOURS** utiliser le poussoir pour pousser la viande dans la tête du hachoir.  
Lire et bien comprendre les instructions ainsi que les messages d'avertissement avant d'utiliser l'appareil.

## INSTRUCTIONS POUR LE MONTAGE D'UN HACHOIR

**AVERTISSEMENT!** Avant de procéder au nettoyage, au montage, au montage ou au démontage de l'appareil, s'assurer que l'appareil est HORS TENSION et que la FICHE A ÉTÉ RETIRÉE DE LA PRISE/SOURCE D'ALIMENTATION!

1. Insérer la tête dans le boîtier d'engrenage avec la chute des aliments faisant face toute droite. Il faut aligner la fente de la tête avec la goupille à l'intérieur du boîtier d'engrenages. S'assurer que la tête est correctement logée dans le boîtier d'engrenages (FIGURE 1).

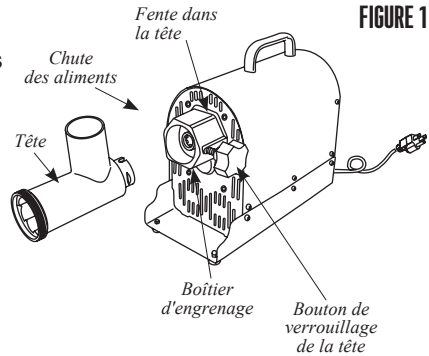


FIGURE 1

2. Serrer le bouton de verrouillage de la tête pour bloquer la tête.

3. Insérer la vis sans fin, avec le roulement de la vis sans fin fixé sur la tête (FIGURE 2). Aligner les cannelures de la vis sans fin à l'arbre d'entraînement du hachoir. REMARQUE: Inspecter régulièrement le roulement de la vis sans fin pour détecter toute trace d'usure. Si le roulement de la vis sans fin est particulièrement usé, le remplacer immédiatement pour ne pas endommager la tête.

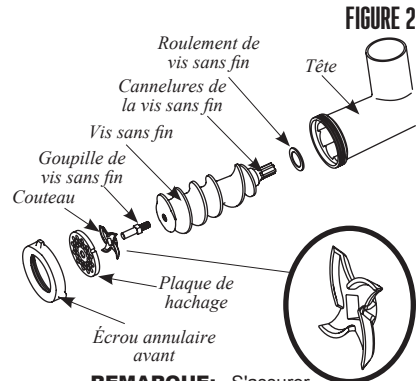


FIGURE 2

**REMARQUE:** S'assurer que les lames du couteau sont dirigées vers l'extérieur.

4. Placer le couteau sur la partie carrée de la goupille de la vis sans fin (FIGURE 2). S'assurer que les lames du couteau sont dirigées avec l'extérieur.

5. Placer l'une des plaques de hachage sur la vis sans fin; aligner l'encoche de la plaque de hachage à la goupille de la tête du hachoir.

6. Installer l'écrou annulaire avant. NE PAS SERRER AVEC EXCÈS. Tourner l'écrou annulaire avant jusqu'à ce qu'il entre en contact avec la plaque de hachage, et faire un autre 1/4 de tour pour bloquer.

7. Insérer le col du plateau dans la chute d'aliments (FIGURE 3).

8. NE JAMAIS utiliser le hachoir sans le plateau bien fixé (FIGURE 3).

VOIR LA SECTION INSTRUCTIONS POUR HACHER LA VIANDE

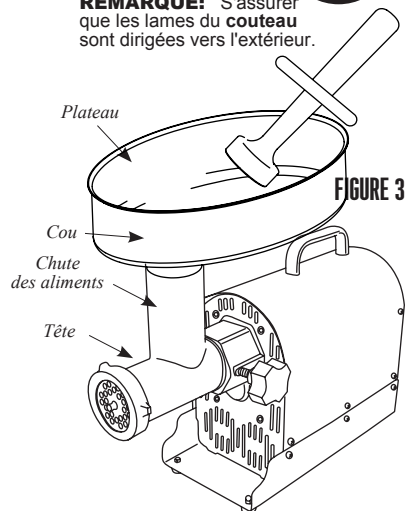


FIGURE 3

# INSTRUCTIONS POUR HACHER

**AVERTISSEMENT!** Avant de procéder au nettoyage, au montage ou au démontage de l'appareil, s'assurer que l'appareil est HORS TENSION et que la FICHE A ÉTÉ RETIRÉE DE LA PRISE/SOURCE D'ALIMENTATION!

1. Procéder selon les Instructions de montage du hachoir pour assembler le hachoir y compris le plateau.  
REMARQUE: Il est recommandé de commencer par hacher la viande en morceaux grossiers avec la plaque de hachage de 7 mm. Pour hacher la viande plus finement, passer la viande par le hachoir une deuxième fois avec la plaque de hachage de 4,5 mm.

2. Enlever tous les cordons, tendons, os, etc. de la viande.

3. Pour obtenir de meilleurs résultats, s'assurer que la viande a été refroidie à 0-1 °C) avant d'être hachée. **NE JAMAIS LAISSER DE LA VIANDE PLUS LONGTEMPS QUE REQUIS À UNE TEMPÉRATURE AMBIANTE.** Toujours suivre les instructions de la section Salubrité des aliments telles que stipulées par l'USDA.

4. Couper la viande en morceaux suffisamment petits pour pouvoir passer par la chute d'aliments. En cubes de 2,5 cm environ.

5. Placer la viande en cube prête à être hachée sur le plateau. Ne pas surcharger le plateau, placer une quantité suffisante de viande de manière à ce que la zone de la chute d'aliments soit libre.

6. Placer un plat ou un bol pour récupérer la viande hachée lorsqu'elle tombe de la tête du hachoir (FIGURE 4).

7. S'assurer que le hachoir est en position d'arrêt (OFF). Raccorder le hachoir à la source d'alimentation.

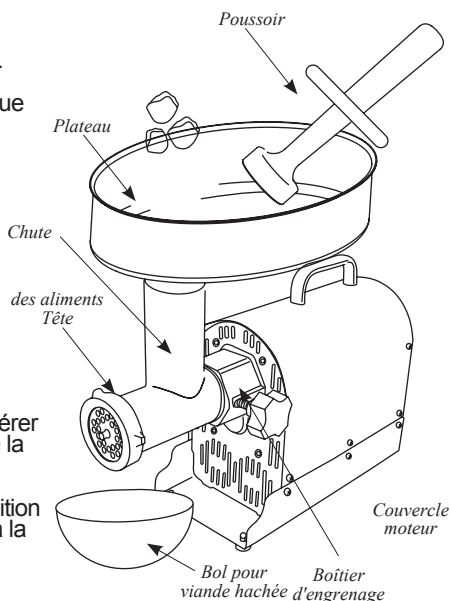
8. Mettre le hachoir en position d'avancement (FWD). Placer soigneusement des cubes de viande dans la chute d'aliments. **POUR POUSSER LA VIANDE DANS LA TÊTE, UTILISER UNIQUEMENT LE POUSSOIR D'ALIMENTS. NE PAS UTILISER LES DOIGTS OU UN AUTRE OBJET.**

## AVERTISSEMENT!

**NE JAMAIS** utiliser le hachoir sans le plateau/dispositif de sécurité installés. Pour éviter les blessures graves voire mortelles, **NE JAMAIS** mettre les mains dans l'entrée des hachoirs. **TOUJOURS** utiliser le poussoir pour pousser la viande dans la tête du hachoir.

Lire et bien comprendre les instructions ainsi que les messages d'avertissement avant l'utiliser l'appareil.

FIGURE 4



CHAUD

NE PAS TOUCHER!

**ATTENTION!** Il est important de respecter toutes les consignes de sécurité concernant les aliments qui sont stipulées dans le manuel. Consultez les instructions mises à jour sur le site Internet de l'USDA.

Le carter d'engrenage et le couvercle du moteur peuvent devenir chauds pendant le fonctionnement. Cette condition n'est pas anormale. **NE PAS** toucher ces pièces pendant le fonctionnement et attendre qu'elles aient refroidi après utilisation.

# INSTRUCTIONS D'ASSEMBLAGE D'UN REMPLISSEUR STANDARD

**AVERTISSEMENT!** Avant de procéder au nettoyage, au montage ou au démontage de l'appareil, s'assurer que l'appareil est HORS TENSION et que la FICHE A ÉTÉ RETIRÉE DE LA PRISE/SOURCE D'ALIMENTATION!

1. Insérer la tête dans le boîtier d'engrenage avec la chute d'aliment de la tête faisant face toute droite. Il faut aligner la fente de la tête avec la goupille à l'intérieur du boîtier d'engrenages. S'assurer que la tête est correctement logée dans le boîtier d'engrenages (FIGURE 5).

2. Serrer le bouton de verrouillage de la tête pour bloquer la tête.

3. Insérer la vis sans fin, avec le roulement de la vis sans fin fixé sur la tête (FIGURE 6). Aligner les cannelures de la vis sans fin à l'arbre d'entraînement du hachoir.

REMARQUE: Inspecter régulièrement le roulement de la vis sans fin pour détecter toute trace d'usure. Si le roulement de la vis sans fin est particulièrement usé, le remplacer immédiatement pour ne pas endommager la tête.

4. Déplacer l'étoile de bourrage sur la partie ronde de la goupille de la vis sans fin.

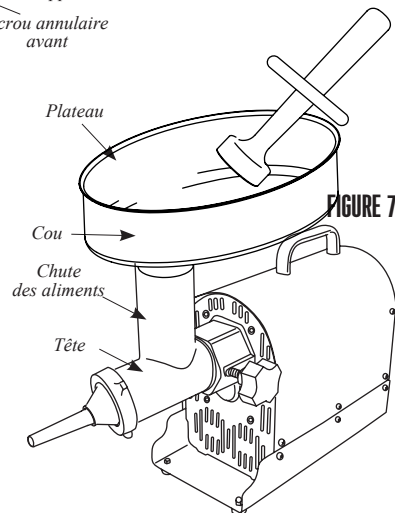
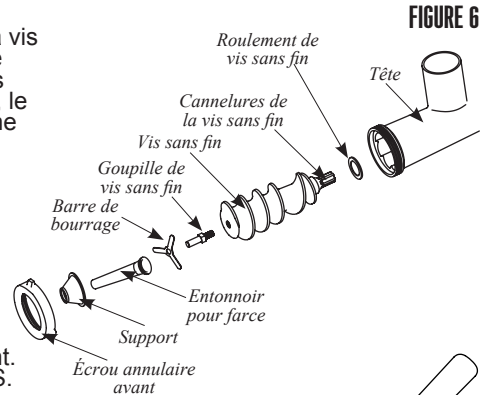
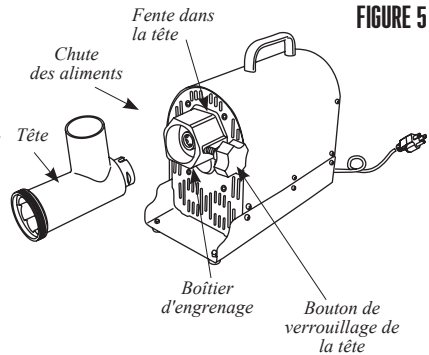
5. Déplacer l'un des entonnoirs de bourrage par la bride puis par l'écrou annulaire avant.

6. Installer l'écrou annulaire avant. **NE PAS SERRER AVEC EXCÈS.** Tourner l'écrou annulaire avant jusqu'à ce qu'il entre en contact avec le support, et faire un autre 1/4 de tour pour bloquer.

7. Insérer le col du plateau dans la chute d'aliments (FIGURE 7).

8. NE JAMAIS utiliser le hachoir sans le plateau bien fixé (FIGURE 7).

VOIR LA SECTION INSTRUCTIONS POUR LE BOURRAGE



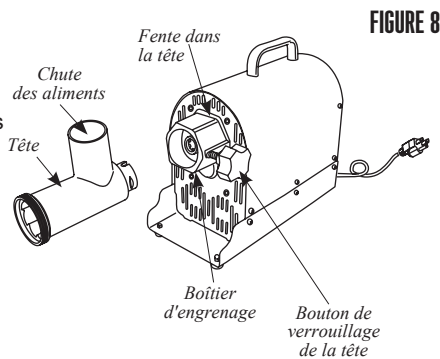


# REMPLISSEUR HAUTE VITESSE INSTRUCTIONS D'ASSEMBLAGE

**AVERTISSEMENT!** Avant de procéder au nettoyage, au montage ou au démontage de l'appareil, s'assurer que l'appareil est HORS TENSION et que la FICHE A ÉTÉ RETIRÉE DE LA PRISE/SOURCE D'ALIMENTATION!

REMARQUE: Le système de bourrage à vitesse élevée a été conçu pour être utilisé avec l'entonnoir de 10 mm UNIQUEMENT. NE PAS utiliser la vis sans fin en plastique à vitesse élevée avec d'autres entonnoirs. La tête du hachoir et les autres composants subiront de sérieux dommages. Respecter les Instructions de montage du remplisseur standard stipulées dans ce manuel, avec des entonnoirs de 20, 30, ou 40 mm.

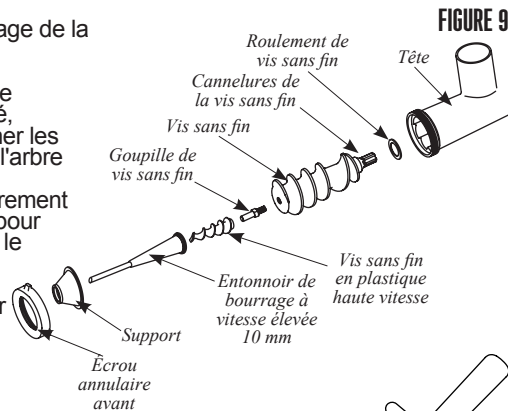
1. Insérer la tête dans le boîtier d'engrenage avec la chute d'aliments de la tête faisant face toute droite. Il faut aligner la fente de la tête à la goupille dans le boîtier d'engrenage. S'assurer que la tête est correctement logée dans le boîtier d'engrenages (FIGURE 8).



2. Serrer le bouton de verrouillage de la tête pour bloquer la tête.

3. Insérer la vis sans fin, avec le roulement de la vis sans fin fixé, dans la tête (FIGURE 9). Aligner les cannelures de la vis sans fin à l'arbre d'entraînement du hachoir.

REMARQUE: Inspecter régulièrement le roulement de la vis sans fin pour détecter toute trace d'usure. Si le roulement de la vis sans fin est particulièrement usé, le remplacer immédiatement pour ne pas endommager la tête.



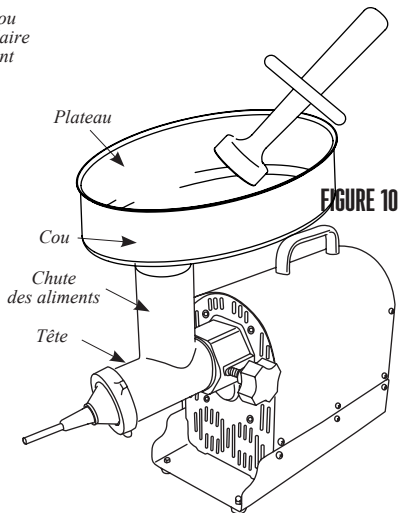
4. Déplacer la vis sans fin en plastique haute vitesse sur la goupille de la vis sans fin en veillant à ce que la section carrée de la vis sans fin en plastique soit bien logée sur la section carrée de la goupille de la vis sans fin.

5. Passer l'entonnoir de bourrage de 10 mm par le support et par l'écrou annulaire avant.

6. Installer l'écrou annulaire avant mais NE PAS LE SERRER EXCESSIVEMENT. Tourner l'écrou annulaire avant jusqu'à ce qu'il entre en contact avec le support, et faire un autre 1/4 de tour pour bloquer.

7. Insérer le col du plateau dans la chute d'aliments (FIGURE 10).

8. NE JAMAIS utiliser le hachoir sans le plateau bien fixé (FIGURE 10).



VOIR LA SECTION INSTRUCTIONS POUR LE BOURRAGE

## INSTRUCTIONS DE BOURRAGE

**AVERTISSEMENT!** Avant de procéder au nettoyage, au montage, au montage ou au démontage de l'appareil, s'assurer que l'appareil est HORS TENSION et que la FICHE A ÉTÉ RETIRÉE DE LA PRISE/SOURCE D'ALIMENTATION!

1. Après avoir haché la viande en suivant les Instructions pour hacher la viande, mélanger la viande hachée avec les assaisonnements de saucisses.

2. Respecter les Instructions de montage du remplisseur ou Instructions de montage du remplisseur haute vitesse pour assembler correctement le hachoir comme un remplisseur, y compris le plateau.

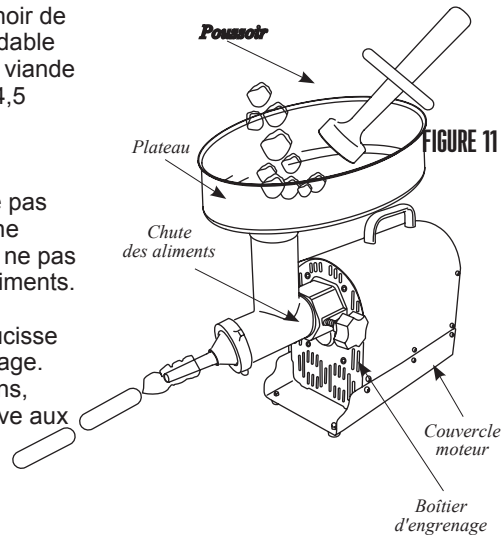
REMARQUE: Bien qu'une seule personne suffise pour faire des saucisses avec ce hachoir, il est recommandé que deux personnes effectuent cette opération. Pour de meilleurs résultats avec l'entonnoir de bourrage 10 mm en acier inoxydable haute vitesse, ne pas hacher la viande avec la plaque de hachage de 4,5 mm.

3. Placer la viande hachée assaisonnée sur le plateau. Ne pas surcharger le plateau. Placer une quantité suffisante de viande et ne pas obstruer la zone de la chute d'aliments.

4. Placer une enveloppe de saucisse par-dessus l'entonnoir de bourrage. Pour de plus amples informations, voir la section Information relative aux saucisses/enveloppes dans ce manuel.

5. Déplacer entre 10 à 15 cm de l'enveloppe de l'extrémité de l'entonnoir de bourrage et faire un nœud à l'extrémité de l'enveloppe. Avec une enveloppe plus fibreuse à grand diamètre, tenir l'extrémité fermée de l'enveloppe bien serrée contre l'extrémité de l'entonnoir de bourrage (FIGURE 11).

6. S'assurer que le hachoir est en position d'arrêt (OFF). Raccorder le hachoir à la source d'alimentation.



7. Mettre le hachoir en position d'avancement (FWD). Placer soigneusement la viande dans la chute d'aliments. **POUR POUSSER LA VIANDE DANS LA TÊTE, UTILISER UNIQUEMENT LE POUSSOIR D'ALIMENTS. NE PAS UTILISER LES DOIGTS OU UN AUTRE OBJET.**

8. Tenir l'enveloppe en place d'une main tout en alimentant le mélange de saucisses dans le hachoir. À mesure que la farce remplit l'enveloppe, l'étaler sur une surface propre et sèche. **REMARQUE:** Lors de l'utilisation d'enveloppe naturelle, humidifier la surface.

9. Ne pas remplir les derniers 7,5 à 10 cm de l'enveloppe. Après avoir bourré toute la longueur de l'enveloppe, entortiller l'extrémité ouverte pour la fermer puis nouer les extrémités de l'enveloppe en serrant bien. Entortiller en chapelet.

10. Pour bourrer de la saucisse, remplir lentement l'enveloppe afin d'éviter les poches d'air. Si des poches d'air se forment dans la saucisse, perce les bulles avec une épingle. Les petits trous vont se sceller naturellement.

## FONCTION DE MARCHÉ ARRIÈRE

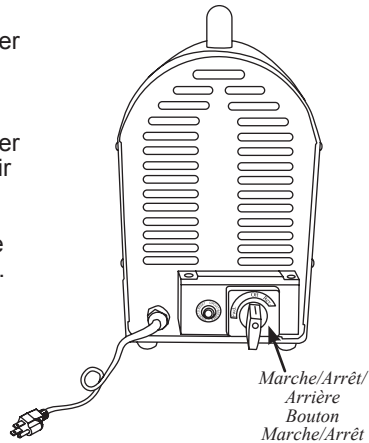
(Seulement applicable pour modèles n° 22 et n° 32)

• Attendre que le moteur du hachoir est atteint un **ARRÊT COMPLET** avant de passer à la marche arrière (soit REV) (Figure 12).

• Attendre que le moteur du hachoir est atteint un **ARRÊT COMPLET** avant de passer à la fonction d'avance (soit FWD) après avoir utilisé la marche arrière.

• **NE JAMAIS** utiliser le hachoir en marche arrière pendant plus de 5 secondes à la fois.

FIGURE 12



## AVERTISSEMENT!

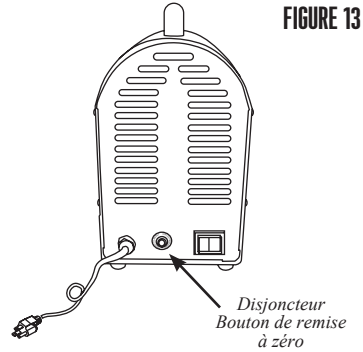
**NE JAMAIS** utiliser le hachoir sans le plateau/dispositif de sécurité installés. Pour éviter les blessures graves voire mortelles, **NE JAMAIS** mettre les mains dans l'entrée des hachoirs. **TOUJOURS** utiliser le poussoir pour pousser la viande dans la tête du hachoir.

Lire et bien comprendre les instructions ainsi que les messages d'avertissement avant l'utiliser l'appareil.

## INSTRUCTIONS RELATIVES AU DISJONCTEUR

Par mesure de sécurité, ce hachoir est équipé d'un disjoncteur. Si le hachoir cesse de fonctionner, procéder comme suit pour remédier au problème.

1. Mettre le hachoir en position d'Arrêt (OFF).
2. Inspecter le hachoir afin de déterminer s'il y a un bourrage coincé dans la tête. Si c'est le cas, il faut éliminer l'obstruction selon les instructions de la section Conseils pour hacher la viande.
3. Appuyer sur le bouton de remise à zéro du disjoncteur (**FIGURE 13**).
4. Remettre le hachoir en marche et reprendre l'opération.



5. Si le hachoir ne fonctionne toujours pas, s'assurer que la prise électrique murale fonctionne correctement. Brancher un autre appareil pour déterminer si la prise murale fonctionne. S'assurer que le disjoncteur de la maison n'a pas été déclenché. Si aucune des étapes susmentionnées ne parviennent à solution le problème ou si le disjoncteur continue d'éteindre brusquement le hachoir, contacter un représentant du service clientèle.
- AVERTISSEMENT!** CESSER d'utiliser le hachoir si le disjoncteur est déclenché plusieurs fois. L'utilisation continue peut endommager le hachoir de manière permanente et annuler la garantie.

**REMARQUE IMPORTANTE:** Ce hachoir dispose d'une transmission par engrenage entièrement en acier trempé. En conséquence, le hachoir fonctionne à des vitesses et des températures supérieures aux autres hachoirs. Ce phénomène est normal et n'a aucune incidence sur la performance du hachoir.

## CONSEILS POUR HACHER LA VIANDE

- NE PAS serrer excessivement l'écrou annulaire avant. Il doit simplement être serré fermement.
- S'assurer que les lames du couteau de hachage sont bien à plat sur la plaque de hachage.
- NE PAS mettre le hachoir en marche sans viande dans la tête. Si le hachoir est utilisé à sec, la tête et la vis sans fin subiront des dommages.
- TOUJOURS lubrifier la tête, la plaque de hachage et le couteau de hachage avec un vaporisateur de silicone alimentaire après le nettoyage.
- Si la plaque de hachage se coince/bouche pendant le fonctionnement, procéder comme suit pour reprendre normalement l'opération.
  - Mettre le hachoir à l'arrêt (OFF) et débrancher le cordon d'alimentation de la prise d'alimentation.
  - Retirer l'écrou annulaire avant ainsi que la plaque de hachage.
  - Nettoyer soigneusement la plaque de hachage. S'assurer que les trous ne sont pas obstrués.
  - Ré-installer la plaque de hachage et l'écrou annulaire avant.
  - Rebrancher le hachoir dans la prise électrique.
  - Poursuivre l'opération.
  - Répéter au besoin.

# INSTRUCTIONS PILON D'EXTRACTION DE LA VRILLE

**AVERTISSEMENT!** Avant de procéder au nettoyage, au montage ou au démontage de l'appareil, s'assurer que l'appareil est HORS TENSION et que la FICHE A ÉTÉ RETIRÉE DE LA PRISE/SOURCE D'ALIMENTATION!

Veuillez suivre les instructions suivantes pour utiliser le pilon pour démonter la tête du hachoir à viande :

FIGURE 14

1. Dévissez l'anneau-écrou antérieur.

2. Attachez le bout de la poignée du pilon sur la goupille de la vis sans fin. L'ouverture sur le pilon doit bien se fixer autour de la rainure dans la goupille (FIGURE 14).

3. Tirez le pilon vers vous, dans la direction opposée au hachoir. La vis sans fin va commencer à sortir de la tête du hachoir.

4. Utilisez la main qui ne tient pas le pilon pour guider la goupille et la sortir complètement de la tête.

5. La vis sans fin, le couteau de hachoir et la plaque sont désormais libérés de la tête et peuvent être nettoyés comme il faut (FIGURE 15).

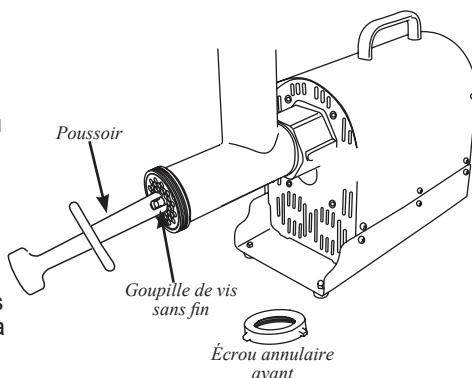
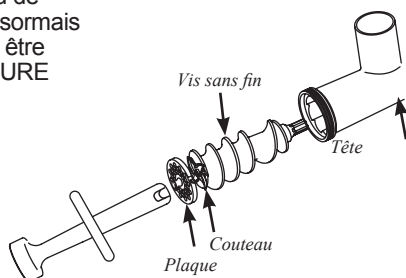


FIGURE 15



## AVERTISSEMENT!

**NE JAMAIS** utiliser le hachoir sans le plateau/dispositif de sécurité installés.  
**Pour éviter les blessures graves voire mortelles, NE JAMAIS** mettre les mains dans l'entrée des hachoirs.  
**TOUJOURS** utiliser le poussoir pour pousser la viande dans la tête du hachoir.  
 Lire et bien comprendre les instructions ainsi que les messages d'avertissement avant d'utiliser l'appareil.

# SÉCURITÉ ALIMENTAIRE

Il y a des règles fondamentales à suivre lors de la manipulation d'aliments. Elles sont **CUIRE**, **SÉPARER**, **NETTOYER**, et **REFROIDIR RAPIDEMENT**.

## CUIRE

Il est crucial de cuire les aliments à une température interne sûre pour détruire les bactéries qui sont présentes. La sécurité des hamburgers et autres aliments faits avec de la viande hachée a reçu dernièrement beaucoup d'attention, et pour une bonne raison. Quand la viande est hachée, les bactéries présentes sur la surface sont mélangées dans l'ensemble du mélange haché. Si cette viande hachée n'est pas cuite jusqu'à au moins 71oC à 74oC (160oF à 165oF), les bactéries ne seront pas détruites et il y a une forte chance que cela vous rendra malade.

Des morceaux solides de viande comme des steaks et côtelettes n'ont pas de bactéries dangereuses comme E. coli à l'intérieur, donc ils peuvent être servis plus saignants. Quand même, tout morceau de bœuf doit être cuit à une température interne d'au moins 63oC (145oF) (mi-saignant). La température sûre pour la volaille est 82oC (180oF) et les morceaux de viande entier de porc doivent être cuits à 63oC (145oF). Les œufs doivent être bien cuits aussi. Si vous faites une meringue ou autre recette qui utilise des œufs non cuits, achetez des œufs spécialement pasteurisés ou utilisez de la poudre pour meringue préparée.

## SÉPARER

Les aliments qui seront mangés crus et les aliments qui seront cuits avant d'être mangés **DOIVENT TOUJOURS** être séparés. La contamination croisée se produit quand des viandes crues ou des œufs viennent en contact avec des aliments qui seront mangés crus. Ceci est une source principale d'intoxication alimentaire. Enveloppez toujours deux fois les viandes crues et placez-les sur l'étagère la plus basse dans le réfrigérateur de manière qu'aucun jus ne puisse goutter sur les fruits et légumes crus. Puis utilisez les viandes crues entre 1 et 2 jours après l'achat, ou congélez-les pour les conserver plus longtemps. Décongelez les viandes congelées dans le réfrigérateur, pas sur le comptoir.

Quand vous grillez ou cuisez des viandes ou des poissons crus, assurez-vous de mettre la viande cuite sur un plat propre. N'utilisez pas le même plat que vous avez utilisé pour transporter les aliments avant de les mettre sur le grill. Lavez les ustensiles utilisés pour griller après que les aliments sont tournés pour la dernière fois sur le grill, aussi bien que les spatules et cuillers utilisées pour faire sauter à feu vif en remuant ou pour tourner la viande au fur et à mesure qu'elle cuit.

Assurez-vous de bien laver vos mains après avoir manipulé des viandes crues ou des œufs crus. Se laver les mains avec du savon et de l'eau, ou utiliser une lingette antibactérienne pré-humidifiée est absolument nécessaire après avoir touché de la viande crue ou des œufs crus. Ne pas se laver les mains et les surfaces pendant la cuisine est une cause majeure de contamination croisée.

## NETTOYER

Lavez fréquemment vos mains et les surfaces de travail lorsque vous cuisinez. Lavez avec du savon et de l'eau chaude pendant au moins 15 seconds, puis séchez avec une serviette en papier.

## REFROIDIR RAPIDEMENT

La réfrigération rapide des aliments est très importante. La zone de danger où les bactéries se multiplient est entre 4oC et 60oC (40oF et 140oF). Votre réfrigérateur doit être réglé à 4oC (40oF) ou en-dessous; votre congélateur doit être à -17oC (0oF) ou en-dessous. Une règle simple : servir chaud les aliments chauds, servir froid les aliments froids. Utilisez des réchauds ou plaques chauffantes pour garder les aliments chauds pendant le service. Utilisez des bains d'eau glacée pour garder au froid les aliments froids. Ne jamais laisser des aliments à la température ambiante pendant plus de deux (2) heures - 1 heure si la température ambiante est 32oC (90oF) ou au-dessus. Lorsque vous emballez les aliments pour un pique-nique, assurez-vous que les aliments sont déjà refroidis rapidement lorsqu'ils sont mis dans le panier à pique-nique isotherme. Le panier à pique-nique ne refroidira pas les aliments – il garde simplement les aliments froids lorsqu'il est emballé correctement avec de la glace. Les aliments cuits chauds doivent être placés dans des conteneurs peu profonds et immédiatement réfrigérés pour qu'ils se refroidissent rapidement. Assurez-vous de bien couvrir les aliments après qu'ils sont froids.

**REMARQUE** : Des considérations particulières doivent être prises lors de l'utilisation de venaison ou d'autre gibier sauvage, puisqu'ils peuvent devenir très contaminés durant l'opération de dépouille. La venaison est souvent gardée à des températures qui pourraient potentiellement permettre la croissance de bactéries, tel que lorsque celle-ci est transportée. Se référer au Département de la viande et de la volaille de l'USDA (USDA Meat and Poultry Department) pour d'autres questions ou informations sur la sécurité de la viande et des aliments.

# INFORMATIONS SUR LES SAUCISSES

## CHOIX DE VIANDE POUR LA FABRICATION DE SAUCISSE

La fabrication de saucisse s'est développée au cours des nombreuses années et générations, et il en résulte qu'un nombre incalculable de type de saucisses peuvent être fabriquées en utilisant les ingrédients de base de la viande, matière grasse et quelques épices soigneusement mélangées. Ci-dessous, vous trouverez quelques indications simples qui vous aideront à faire des saucisses avec le meilleur goût possible.

Tout type de viande peut être utilisé pour faire des saucisses : porc, bœuf, bison, original et caribou, même l'antilope font de la très bonne saucisse. Il est important lors de la préparation de venaison ou d'autres viandes de gibier rouges d'enlever la matière grasse de la viande, car le suif de gibier rouge rancira en aussi peu que cinq jours. Remplacez la matière grasse avec soit de la graisse de porc ou de bœuf, suivant le type de produit que vous faites, à un taux de 0,5 kg (1 livre) de graisse pour chaque 1,8 g (4 livres) de viande de gibier.

La teneur en matière grasse de vos saucisses affectera le goût, la texture, les caractéristiques de cuisson et la durée de conservation de votre produit. La plupart des saucisses fabriquées commercialement ont une teneur en matière grasse d'environ 20%. En utilisant moins de 12% de matière grasse, vous obtiendrez des saucisses avec un goût très sec, alors que si vous utilisez plus de 20%, cela peut résulter en des saucisses collantes et sans goût qui seront très difficiles à cuire.

## SAUMURAGE

Il est important de saumer correctement les viandes pour conserver la viande et la volaille, et pour détruire les microorganismes indésirables sur les surfaces de la viande qui causent la détérioration et des maladies d'origine alimentaire. Il y a de nombreuses étapes qui aident à ce processus, y compris la fumaison, la cuisson, le séchage, le refroidissement rapide et l'addition d'ingrédients de saumure. Le plus ancien moyen d'accomplir cela est en introduisant le sel dans la viande. La résistance des bactéries au sel varie beaucoup parmi les différents types de bactéries. Le développement de certaines bactéries est inhibé par des concentrations en sel aussi basses que 3%, par exemple. Salmonella, alors que d'autres types peuvent survivre dans de plus hautes concentrations en sel, par exemple, Staphylococcus. Heureusement, le développement de nombreux microorganismes indésirables normalement trouvés dans les viandes et produits de volaille saumurés est inhibé à des basses concentrations de sel.

Le saumurage moderne est basé sur les Nitrates et est très scientifique. La meilleure façon d'assurer le saumurage correct est de faire l'achat d'un des nombreux agents de saumure disponible commercialement dans une épicerie ou chez votre boucherie locale. Une saumure très courante est la Poudre de Prague, laquelle est disponible en deux types (No.1 et No.2).

## BOYAUX

Il y a de nombreux types de boyaux différents disponibles, le bon choix dépend de la préférence personnelle aussi bien que le type de saucisse que vous désirez faire. Pour la plupart des saucisses, vos choix sont "naturel" ou "collagène". Ne laissez pas les noms vous tromper, les boyaux en collagène ne sont pas un produit synthétique. Ils sont fabriqués à partir de peau de bœuf et d'autres tissus. Les boyaux en collagène sont uniformes en taille et en texture et ne nécessitent presque aucune préparation. Les boyaux "Naturels" sont les différents d'agneau, de mouton, porc ou bœuf. Ils sont moins uniformes en taille et nécessitent une préparation considérable. Pour ces raisons, plus de 75% des saucisses fabriquées commercialement aux États-Unis sont faites avec des boyaux en collagène. Il y a aussi des boyaux fibreux non comestibles qui sont utilisés pour quelques variétés de saucisses fumées et saucissons de Bologne.

## TYPES DE SAUCISSE

La plupart des saucisses se situent dans une des quatre catégories : Fraîche, Fumée, Cuite ou Sèche. Toutes les saucisses, sauf les sèches, exigent l'entreposage frigorifique. Il y a aussi une sous-catégorie de saucisses fumées non cuites.

Parmi les saucisses fraîches et fumées non cuites, vous trouverez des arômes tels que la kielbasa ou saucisse polonaise, saucisse italienne, saucisse petit déjeuner et beaucoup d'autres. Les saucisses fraîches aussi bien que les saucisses fumées non cuites doivent être cuites avant de les manger et elles nécessitent aussi l'entreposage frigorifique.

Les saucisses fumées et cuites comprennent le salami, le saucisson de Bologne, les toujours aussi populaires hot-dogs et de nombreux autres. La fumaison correcte nécessite un four ou appareil pour fumer les aliments. Ceux-ci peuvent être simplement des structures faites maison à partir de bidons métalliques ou même d'anciens réfrigérateurs ou ils peuvent être des appareils fabriqués complexes. La plupart des saucisses fumées sont réchauffées avant de servir. Un grand nombre de personnes pensent qu'une saucisse fumée durera plus longtemps sans altération, mais cela n'est pas vrai. Les saucisses fumées doivent être traitées de la même manière que les saucisses fraîches en termes d'entreposage.

Les saucisses sèches exigent le temps de transformation le plus long, puisqu'elles sont séchées à l'air pendant une longue période de temps. Certains types de saucisses sèches sont le pepperoni, le prosciutto et une variété de produits à jambon, juste pour en nommer quelques uns. Les conditions sous lesquelles la viande est séchée sont très exigeantes; la température, la durée et l'humidité doivent toutes être soigneusement surveillées pour avoir un produit sûr et délicieux.

## ENTREPOSAGE

Il est important de se rappeler que la saucisse perdra sa saveur le plus longtemps qu'elle est entreposée. Il est recommandé que vous fassiez autant de saucisses que vous aurez besoin pour 4 à 6 semaines. Même les saucisses congelées commenceront à perdre nettement la saveur après 6 semaines. La saucisse congelée doit être dégelée lentement dans le réfrigérateur avant de la cuire ou de la servir. La décongélation rapide du produit dégradera aussi bien le goût.





# INFORMATION SUR LA GARANTIE

## CONSERVEZ CETTE INFORMATION SUR LA GARANTIE POUR VOS DOSSIERS!

Weston Brands LLC garantit à l'ACHETEUR AU DÉTAIL D'ORIGINE de ce produit contre tout défaut en matériau et en main-d'œuvre pendant un (1) an à partir de la date d'achat à condition qu'il soit utilisé conformément aux directives imprimées qui y sont jointes.

La Carte de Garantie, avec une copie du reçu original, doivent être reçus par Weston Brands LLC dans les trente (30) jours à partir de la date d'achat pour que la garantie puisse s'appliquer. Le manque d'envoyer la Carte de Garantie complètement remplie avec une copie du reçu original annulera la garantie.

Le produit doit être livré à ou expédié franco de port à Weston Brands LLC pour les services de garantie, soit dans son emballage d'origine ou un emballage similaire offrant un degré de protection équivalent. Les dommages causés par l'expédition ne sont pas la responsabilité de la société. Weston Brands LLC charge 35,00 \$ par heure pour frais de service. **REMARQUE** : Aucune réparation ne sera commencée sans l'autorisation du client. Les frais d'expédition de retour seront ajoutés à la facture de réparation.

Avant de renvoyer le produit pour une réparation sous garantie, bien nettoyer le produit pour qu'il soit exempt de toute particule alimentaire ou autres débris. Si l'acheteur ne respecte pas cette consigne, le produit lui sera renvoyé sans avoir été réparé. Dans certains, la somme de 50 dollars sera facturée pour le nettoyage.

Weston Brands LLC réparera (ou à sa discrétion, remplacera) le produit sans frais, si à l'opinion de la société, il a été prouvé être défectueux en matériau et en main d'œuvre dans la période de garantie.

Des remplacements neufs ou remis en état pour les pièces d'usine défectueuses seront fournis pendant un (1) an à partir de la date d'achat. Les pièces de remplacement sont garanties pour le reste de la période de garantie originale.

Pour les réparations non garanties, veuillez contacter le Service à la clientèle de Weston Brands LLC au numéro sans frais 1-800-814-4895, du lundi au vendredi, de 8h00 à 17h00 ET (en dehors des Etats-Unis : 001-216-901-6801) pour obtenir une Autorisation de retour d'article (Numéro RMA). Weston Brands LLC refusera tous les retours qui ne contiennent pas ce numéro. **NE PAS RENVOYER CET APPAREIL SANS L'AUTORISATION CORRECTE DE Weston Brands LLC.**

**LIMITATIONS** : La garantie est annulée si le produit est utilisé pour toute raison autre que pour laquelle il est conçu. Le produit ne doit pas avoir été antérieurement modifié, réparé, ou entretenu par quelqu'un autre que Weston Brands LLC. Le cas échéant, le numéro de série ne doit pas être modifié ou enlevé. Le produit ne doit pas avoir été soumis à un accident en transit ou pendant qu'il est en la possession du client, mal utilisé, mal traité, ou utilisé contrairement aux directives contenues dans le manuel d'utilisation. Ceci comprend la défaillance causée par la négligence d'un entretien raisonnable et nécessaire, une tension de secteur incorrecte et des catastrophes naturelles. Cette garantie n'est pas transférable et s'applique seulement aux ventes américaines et canadiennes.

A l'exception des cas où la loi en vigueur l'interdit, aucune autre garantie, expresse ou implicite, y compris les garanties relatives au caractère adéquat pour la commercialisation ou un usage particulier, ne s'appliquera à ce produit. Weston Brands LLC ne sera en aucun cas responsable des dommages indirects liés au dit produit et Weston Brands LLC n'a aucune obligation ni responsabilité autre que celles expressément établies dans la présente, et n'autorise aucun représentant ou autre personne à les assumer pour lui. Toutes garanties implicites applicables sont aussi limitées à la période d'un (1) an de la garantie limitée.

Cette garantie couvre seulement le produit et ses pièces spécifiques, pas les aliments ou autres produits traités dans celui-ci. Weston n'est pas responsable des pièces manquantes ou endommagées pour les articles réduits/en solde ou les articles finaux de vente où le vendeur peut ne pas être en mesure de garantir l'ensemble de la fonctionnalité ou l'intégralité de l'unité.

**DÉCOUPEZ LE LONG DE LA LIGNE POINTILLÉE ET ENVOYEZ CETTE CARTE DE GARANTIE AVEC UNE COPIE DE VOTRE REÇU D'ACHAT ORIGINAL À :**

**Weston Brands LLC / WARRANTY**  
**7575 E. Pleasant Valley Rd., Independence, OH 44131 USA**

## CARTE DE GARANTIE

ENVOYEZ CETTE CARTE DE GARANTIE AVEC UNE COPIE DE VOTRE REÇU D'ACHAT ORIGINAL À :  
WESTON BRANDS LLC / WARRANTY, 7575 E. Pleasant Valley Rd., Independence, OH 44131 USA

Nom du Client: \_\_\_\_\_

Adresse: \_\_\_\_\_

Province/Code postal/Région: \_\_\_\_\_

Numéro de téléphone: \_\_\_\_\_

Adresse de courrier électronique: \_\_\_\_\_

Date d'achat d'origine: \_\_\_\_\_ Copie du reçu incluse

No de modèle du produit: \_\_\_\_\_

No de série (s'il y a lieu): \_\_\_\_\_

J'ai lu les informations relatives à la garantie. Initiales ici: \_\_\_\_\_







## **ATTENTION!**

PLEASE INSPECT THIS PACKAGE THOROUGHLY FOR MISSING PARTS OR ANY PRODUCT DAMAGE.  
IF YOUR PRODUCT CONTAINS SHIPPING DAMAGE, PLEASE CONTACT RETAILER FOR ASSISTANCE.

For all other questions regarding product usage, missing parts, product damage, difficulty or warranty activation,  
please contact the Weston Brands Customer Service Team:  
8:00 am to 5:00 pm ET, Monday thru Friday

**CustomerService@WestonProducts.com**

**U.S. Residents Customer Service Line: 1-800-814-4895 (Outside U.S. Call: 001-216-901-6801)**  
**Weston Brands LLC, 7575 E. Pleasant Valley Rd., Independence, OH 44131 WestonProducts.com**

Please DO NOT return this item to the retailer before contacting  
Weston Brands Customer Service.

## **SAVE THESE INSTRUCTIONS!**

*Refer to them often and use them to instruct others.*

## **ATTENTION!**

*VEUILLEZ INSPECTER CET EMBALLAGE AVEC SOIN POUR Y DÉTECTER  
TOUTE PIÈCE MANQUANTE OU ENDOMMAGÉE.  
SI DES PIÈCES ONT ÉTÉ ENDOMMAGÉES PENDANT LE TRANSPORT, VEUILLEZ  
COMMUNIQUER AVEC LE DÉTAILLANT POUR OBTENIR DE L'AIDE.*

*Pour toutes les autres questions concernant l'utilisation du produit, les pièces manquantes, les problèmes ou  
l'activation de la garantie, veuillez communiquer avec l'équipe du service clientèle des produits Weston:  
de 8:00 à 17:00 HNE, du lundi au vendredi.*

**CustomerService@WestonProducts.com**

**Numéro de téléphone du service clientèle pour les résidents des É.-U. : 1-216-901-6301**  
**Numéro de téléphone à l'extérieur des É.-U. : 001-216-901-6801 Weston Brands LLC,**  
**7575 E. Pleasant Valley Rd., Independence, OH 44131 WestonProducts.com**

*Veillez communiquer avec le service clientèle des produits Weston AVANT de retourner cet appareil au détaillant.*

## **CONSERVER CES DIRECTIVES!**

*Veillez les consulter fréquemment et les utiliser pour la formation.*

## **¡ATENCIÓN!**

Revise completamente el envase y compruebe que no falten partes o que algún producto esté dañado.  
si el producto está dañado por el transporte, solicite asistencia al distribuidor.

Para todas aquellas preguntas referentes al uso del producto, partes faltantes, daño del producto, dificultad  
o activación de la garantía, comuníquese con el equipo de servicio al cliente de weston brands  
desde las 8:00 am hasta las 5:00 pm ET, de lunes a viernes

**CustomerService@WestonProducts.com**

**Línea de Servicio al Cliente para Residentes de EE.UU.: 1.800.814.4895 (Fuera de EE.UU., llame al: 001-  
1-216-901-6801) Weston Brands LLC, 7575 E. Pleasant Valley Rd., Independence, OH 44131**  
**WestonProducts.com**

NO devuelva este artículo al vendedor minorista antes de comunicarse con Servicio al Cliente de Weston  
Brands.

## **¡GUARDE ESTAS INSTRUCCIONES!**

*Consulte estas instrucciones y úselas para enseñar sobre el uso de este producto a otras personas.*