



**OPERATOR'S MANUAL
MANUEL D'UTILISATION
MANUAL DEL OPERADOR**

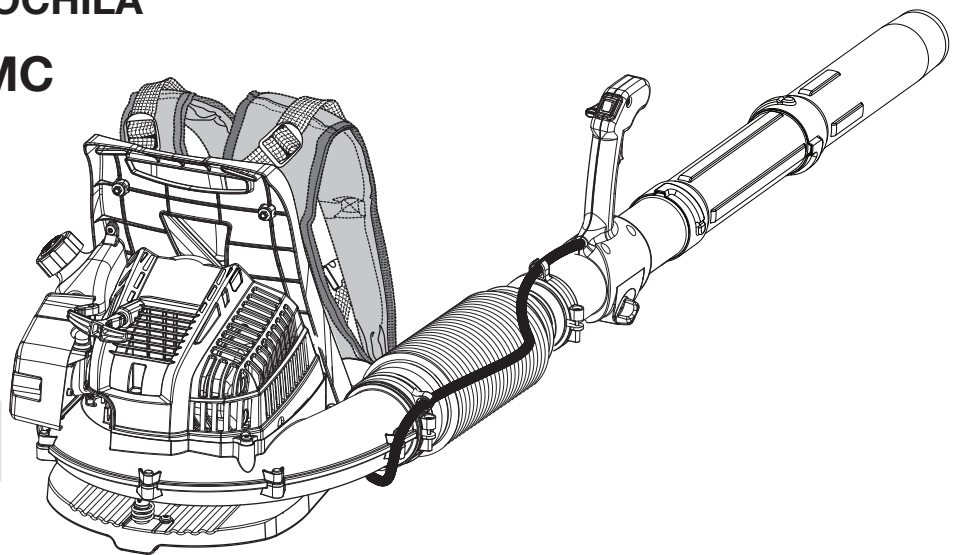
42cc BACKPACK BLOWER

42 cc SOUFFLANTE DORSALE

42 cc SOPLADORA DE MOCHILA

RY08420A/R42BPEMC

REGISTER YOUR TOOLS
 <http://register.ryobitools.com>
1-800-860-4050



Your blower has been engineered and manufactured to our high standard for dependability, ease of operation, and operator safety. When properly cared for, it will give you years of rugged, trouble-free performance.

⚠ WARNING: To reduce the risk of injury, the user must read and understand the operator's manual before using this product.

SAVE THIS MANUAL FOR FUTURE REFERENCE

Ce soufflante dorsale a été conçu et fabriqué conformément à nos strictes normes de fiabilité, simplicité d'emploi et sécurité d'utilisation. Correctement entretenu, cet outil vous donnera des années de fonctionnement robuste et sans problème.

⚠ AVERTISSEMENT : Pour réduire les risques de blessures, l'utilisateur doit lire et veiller à bien comprendre le manuel d'utilisation avant d'employer ce produit.


**CONSERVER CE MANUEL POUR
FUTURE RÉFÉRENCE**

NOTICE AVIS AVISO

Do not use E15 or E85 fuel in this product. It is a violation of federal law and will damage the unit and void your warranty. Only use unleaded gasoline containing up to 10% ethanol.

Ne pas utiliser d'essence E15 ou E85 dans ce produit. Une telle utilisation représente une violation de la loi fédérale et endommagera l'appareil et annulera la garantie. Utiliser seulement de l'essence sans plomb ne contenant pas plus de 10 % d'éthanol.

No utilice combustibles E15 o E85 con este producto. Esto constituye una violación a la ley federal, dañará la unidad y anulará la garantía. Use únicamente gasolina sin plomo con un contenido de hasta 10 % de etanol.



Su sopladora de mochila ha sido diseñado y fabricado de conformidad con nuestras estrictas normas para brindar fiabilidad, facilidad de uso y seguridad para el operador. Con el debido cuidado, le brindará muchos años de sólido funcionamiento y sin problemas.

⚠ ADVERTENCIA: Para reducir el riesgo de lesiones, el usuario debe leer y comprender el manual del operador antes de usar este producto.

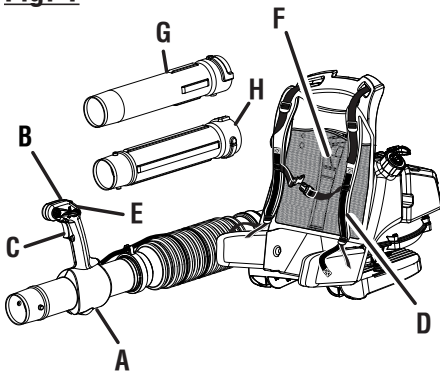
**GUARDE ESTE MANUAL PARA
FUTURAS CONSULTAS**

See this fold-out section for all the figures referenced in the operator's manual.

Voir que cette section d'encart pour toutes les figures a adressé dans le manuel d'utilisation.

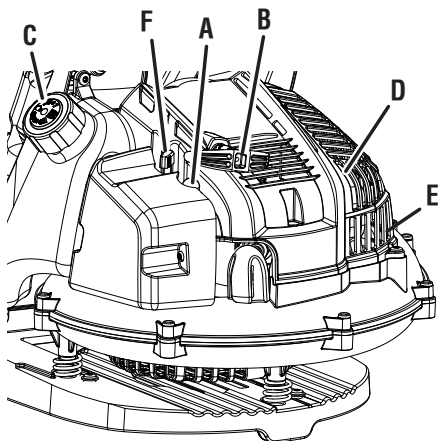
Vea esta sección de la página desplegable para todas las figuras mencionó en el manual del operador.

Fig. 1



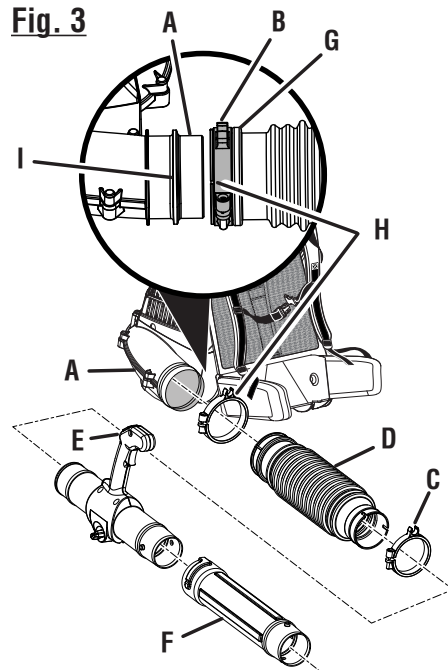
- A - Throttle control handle tube (tube de poignée de commande d'accélérateur, tubo del mango de control del acelerador)
- B - Adjustable throttle control handle (poignée de commande d'accélérateur, mango ajustable de control del acelerador)
- C - Throttle trigger (gâchette d'accélérateur, gatillo del acelerador)
- D - Adjustable harness and waist straps (réglage de hauteur du harnais, arnés ajustable y correas de la cintura)
- E - Cruise control (régulateur de vitesse, control de cruceo)
- F - Mesh backing (doublure maillée, espaldar de malla)
- G - Nozzle (buse, boquilla)
- H - Straight tube (tube droit, tubo recto)

Fig. 2



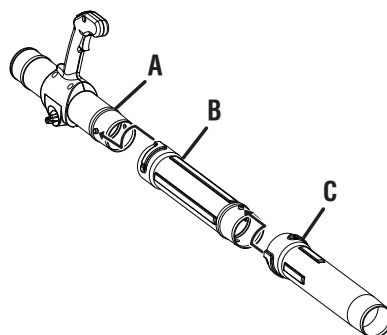
- A - Primer bulb (poire d'amorçage, bomba de cebado)
- B - Starter grip and rope (poignée du lanceur et corde, mango del arrancador y cuerda)
- C - Fuel cap (bouchon du réservoir, tapa del tanque de combustible)
- D - Engine (moteur, motor)
- E - Muffler (échappement, silenciodor)
- F - Choke lever (levier de volet de départ, palanca del anegador)

Fig. 3



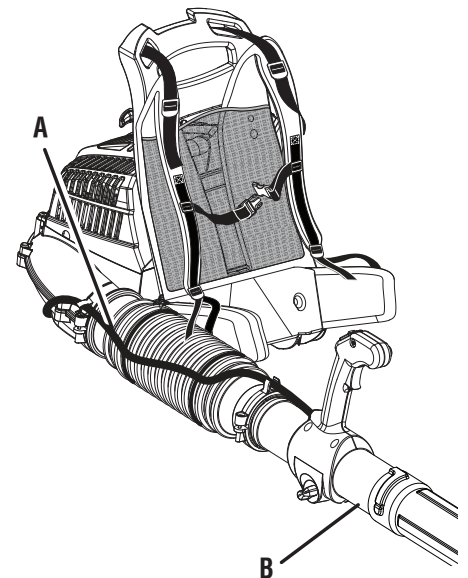
- A - Blower housing air outlet (sortie d'air de boîtier du souffleur, salida de aire del alojamiento de la sopladora)
- B - Upper end of bellows (supérieur soufflet d'extrémité, superior tubo flexible de extremo)
- C - Small tube clamp (lower) [petite collier du tuyaus (inférieur), pequeña abrazadera del tubos (inferior)]
- D - Bellows (soufflet, tubo flexible)
- E - Adjustable throttle control handle (poignée de commande d'accélérateur, mango ajustable de control del acelerador)
- F - Straight tube (tube droit, tubo recto)
- G - Bellows raised slot (fente en saillie de soufflet, ranura realizada de tubo flexible)
- H - Large tube clamp (upper) [grand collier du tuyau, (supérieur), abrazadera del tubo grande (superior)]
- I - Air outlet raised ridge (nervure en saillie de sortie d'air, costillas realizadas salida de aire)

Fig. 4



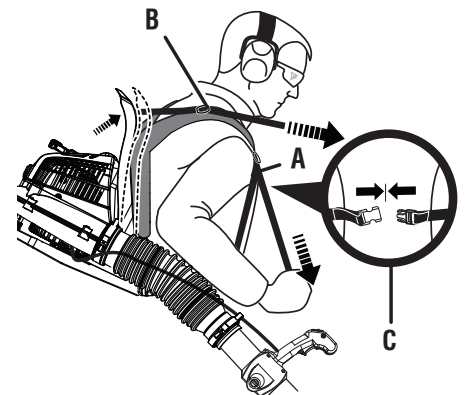
- A - Throttle control handle tube (tube de poignée de commande d'accélérateur, tubo del mango de control del acelerador)
- B - Straight tube (tube droit, tubo recto)
- C - Nozzle (buse, boquilla)

Fig. 5



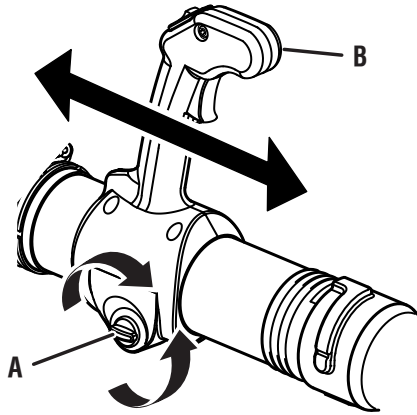
- A - Throttle cable (câble d'accélérateur, cable del acelerador)
- B - Throttle control handle tube (tube de poignée de commande d'accélérateur, tubo del mango de control del acelerador)

Fig. 6



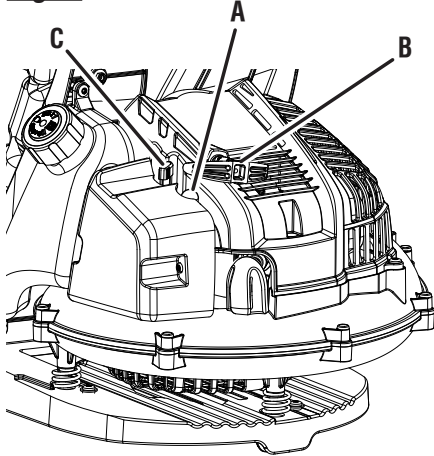
- A - Lower adjustment strap (sangle de réglage inférieur, correa de ajuste inferior)
- B - Upper adjustment strap (sangle de réglage supérieur, correa de ajuste superior)
- C - Chest strap (sangle pectorale, correa de pecho)

Fig. 7



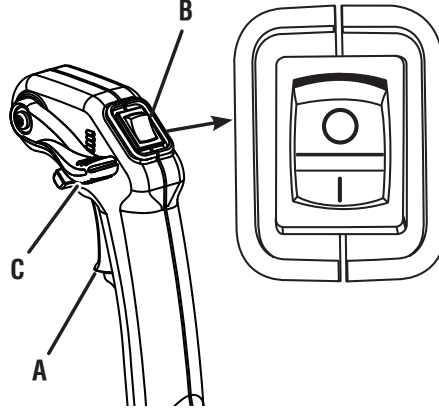
- A - Locking screw (vis de blocage, tornillo de fijación)
- B - Adjustable throttle control handle (poignée de commande d'accélérateur, mango ajustable de control del acelerador)

Fig. 8



- A - Primer bulb (poire d'amorçage, bomba de cebado)
- B - Starter grip and rope (poignée du lanceur et corde, mango del arrancador y cuerda)
- C - Choke lever (levier de volet de départ, palanca del anegador)

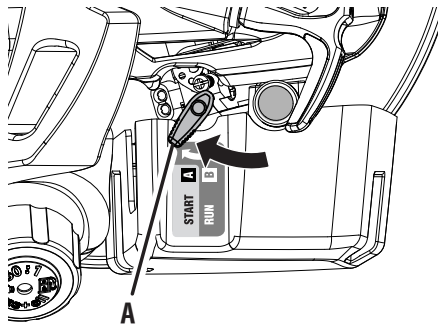
Fig. 9



- A - Throttle trigger (gâchette d'accélérateur, gatillo del acelerador)
- B - Stop switch (commutateur d'arrêt, interruptor del apagado)
- C - Cruise control (régulateur de vitesse, control de cruceo)

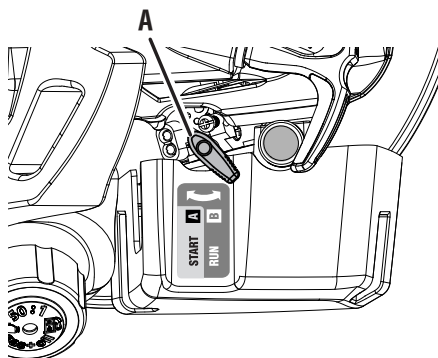
Fig. 10

**START CHOKE POSITION
POSITION DE COMPLÈTMENT OUVERT
POSICIÓN DE ANEGACIÓN MÁXIMA**



- A - Choke lever (levier de volet de départ, palanca del anegador)

**RUN POSITION
POSITION DE MARCHÉ
POSICIÓN DE FUNCIONAMIENTO**



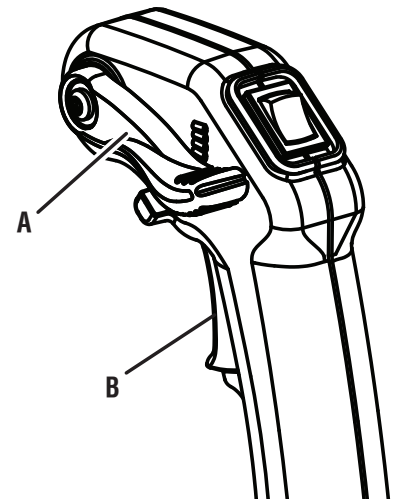
- A - Choke lever (levier de volet de départ, palanca del anegador)

Fig. 11

**PROPER OPERATING POSITION
POSITION D'UTILISATION CORRECTE
POSICIÓN CORRECTA PARA EL MANEJO DE
LA HERRAMIENTA**



Fig. 12



- A - Cruise control (régulateur de vitesse, control de cruceo)
- B - Throttle trigger (gâchette d'accélérateur, gatillo del acelerador)

TABLE OF CONTENTS

TABLE DES MATIÈRES / ÍNDICE DE CONTENIDO

■ Introduction	2
Introduction / Introducción	
■ General Safety Rules	3
Règles de sécurité générales / Reglas de seguridad generales	
■ Specific Safety Rules.....	4
Règles de sécurité particulières / Reglas de seguridad específicas	
■ Symbols.....	5
Symboles / Símbolos	
■ Features.....	6
Caractéristiques / Características	
■ Assembly	6-7
Assemblage / Armado	
■ Operation.....	8-10
Utilisation / Funcionamiento	7-10
■ Maintenance	10-11
Entretien / Mantenimiento	
■ Troubleshooting	12
Dépannage / Solución de problemas	
■ Warranty	13
Garantie / Garantía	
■ Parts Ordering and Service	Back Page
Commande de pièces et réparation / Pedidos de piezas y servicio	Page arrière / Pág. posterior

INTRODUCTION

INTRODUCTION / INTRODUCCIÓN

This product has many features for making its use more pleasant and enjoyable. Safety, performance, and dependability have been given top priority in the design of this product making it easy to maintain and operate.

* * *

Ce produit offre de nombreuses fonctions destinées à rendre son utilisation plus plaisante et satisfaisante. Lors de la conception de ce produit, l'accent a été mis sur la sécurité, les performances et la fiabilité, afin d'en faire un outil facile à utiliser et à entretenir.

* * *

Este producto ofrece numerosas características para hacer más agradable y placentero su uso. En el diseño de este producto se ha conferido prioridad a la seguridad, el desempeño y la fiabilidad, por lo cual se facilita su manejo y mantenimiento.

GENERAL SAFETY RULES

WARNING:

Read and understand all instructions. Failure to follow all instructions listed below may result in electric shock, fire and/or carbon monoxide poisoning which will cause death or serious personal injury.

- Do not allow children or untrained individuals to use this unit.
- Do not start or operate the engine in a confined space, building, near open windows, or in other unventilated space where dangerous carbon monoxide fumes can collect. Carbon monoxide, a colorless, odorless, and extremely dangerous gas, can cause unconsciousness or death.
- Always wear eye protection with side shields marked to comply with ANSI Z87.1, along with hearing protection. Failure to do so could result in objects being thrown into your eyes and other possible serious injuries.
- Keep all bystanders, children, and pets at least 50 feet away.
- Wear heavy long pants, long sleeves, boots, and gloves. Do not wear loose-fitting clothing, short pants, sandals, jewelry of any kind, or go barefoot.
- To reduce the risk of injury associated with objects being drawn into rotating parts, do not wear loose clothing, scarves, neck chains, and the like.
- Secure long hair so it is above shoulder level to prevent entanglement in any rotating parts.
- Do not operate this unit when you are tired, ill, upset, or under the influence of alcohol, drugs, or medication.
- Do not operate in poor lighting.
- Keep all parts of your body away from any moving parts and all hot surfaces of the unit.
- Wear a face filter mask in dusty conditions to reduce the risk of injury associated with the inhalation of dust.

- Check the work area before each use. Remove all objects such as rocks, broken glass, nails, wire, or string which can be thrown or become entangled in the machine.
- Keep firm footing and balance. Do not overreach. Overreaching can result in loss of balance or exposure to hot surfaces.
- Before storing, allow the engine to cool.
- Empty fuel tank into a container approved for gasoline and restrain the unit from moving before transporting in a vehicle.
- Store fuel in a container approved for gasoline.
- Use only recommended or equivalent parts and accessories. Failure to do so may cause poor performance or possible injury.
- Maintain the unit per maintenance instructions in this Operator's Manual.
- Inspect the unit before each use for loose fasteners, fuel leaks, etc. Replace damaged parts.
- Do not use on a ladder, rooftop, tree, or other unstable support. Stable footing on a solid surface enables better control of the blower in unexpected situations.

SERVICE

- Before cleaning, repairing, or inspecting, shut off the engine and make certain all moving parts have stopped. Disconnect the spark plug wire, and keep the wire away from the plug to prevent starting.
- We recommend taking your equipment to a qualified service center for repair, as service performed by inexperienced or unqualified persons may damage the equipment, create unsafe conditions, injury to user and/or void your warranty.
- Use only recommended or equivalent replacement parts when servicing the product. Use of any other parts may create a risk of serious injury to the user, or damage to the product.

SPECIFIC SAFETY RULES




- To reduce the risk of hearing loss associated with sound level(s), hearing protection is required.
- To reduce the risk of injury associated with contacting rotating parts, stop the engine before installing or removing attachments. Do not operate without all guard(s) and tubes in place. Always disconnect the spark plug before performing maintenance or accessing any movable parts.
- Rotating impeller blades can cause severe injury. Do not put hands or any other object into the blower housing air outlet or blower tubes.
- Do not point the blower nozzle in the direction of people or pets.
- Never run the unit without the blower tubes installed.
- Never place objects inside the blower tubes.
- Never use blower near fires, fireplaces, hot ashes, barbecue pits, etc., which may cause fire to spread.
- Never place blower on any surface, except a hard, clean surface when engine is running. Gravel, sand, and other debris can be picked up by the air inlet and thrown at the operator or bystanders, causing possible serious injuries.
- Never use for spreading chemicals, fertilizers, toxic substances, or any other hazardous chemical.
- Always hold the throttle control handle in your right hand. Refer to the *Operation* section later in this manual for additional information.
- This product is intended for infrequent use by homeowners and other occasional users for such general applications as blowing leaves and lawn clippings, etc. It is not intended for prolonged use. Prolonged periods of operation can cause circulatory problems in the user's hands due to vibration. For such use, it may be appropriate to use a product having an anti-vibration feature.

REFUELING












- Fuel is highly flammable. Take precautions when using to reduce the chance of serious personal injury.
- Empty fuel tank and restrain the unit from moving before transporting in a vehicle.
- To reduce the risk of fire and burn injury, handle fuel with care. It is highly flammable.
- Do not smoke while handling fuel.
- Mix and store fuel in a container approved for gasoline.
- Mix fuel outdoors where there are no sparks or flames.
- Select bare ground, stop engine, and allow to cool before refueling.
- Loosen fuel cap slowly to release pressure and to keep fuel from escaping around the cap.
- Tighten the fuel cap securely after refueling.
- Wipe spilled fuel from the unit. Move 30 feet away from refueling site before starting engine.
- Never attempt to burn off spilled fuel under any circumstances.
- Store fuel in a cool, well-ventilated area, safely away from spark and/or flame-producing equipment.
- Store fuel in containers specifically designed for this purpose.
- Only refuel outdoors and do not smoke while refueling.
- Add fuel before starting the engine. Never remove the cap of the fuel tank or add fuel while the engine is running or when the engine is hot.
- If fuel is spilled, do not attempt to start the engine but move the machine away from the area of spillage and avoid creating any source of ignition until fuel vapors have dissipated.
- Replace all fuel tank and container caps securely.
- When draining the fuel tank, use an approved fuel storage container while in a well-ventilated area.
- Save these instructions. Refer to them frequently and use them to instruct others who may use this product. If you loan someone this product, loan them these instructions also.

SYMBOLS

The following signal words and meanings are intended to explain the levels of risk associated with this product.

SYMBOL	SIGNAL	MEANING
	DANGER:	Indicates a hazardous situation, which, if not avoided, will result in death or serious injury.
	WARNING:	Indicates a hazardous situation, which, if not avoided, could result in death or serious injury.
	CAUTION:	Indicates a hazardous situation, that, if not avoided, may result in minor or moderate injury.
	NOTICE:	(Without Safety Alert Symbol) Indicates information considered important, but not related to a potential injury (e.g. messages relating to property damage).

Some of the following symbols may be used on this product. Please study them and learn their meaning. Proper interpretation of these symbols will allow you to operate the product better and safer.

SYMBOL	NAME	EXPLANATION
	Safety Alert Symbol	Indicates a potential personal injury hazard.
	Read Operator's Manual	To reduce the risk of injury, user must read and understand operator's manual before using this product
	Eye and Hearing Protection	Always wear eye protection with side shields marked to comply with ANSI Z87.1 along with hearing protection.
	Impeller Blades	Contact with rotating impeller blades can cause severe injury.
	Blower Tubes	Do not operate without tubes in place.
	Long Hair	Risk of long hair being drawn into air inlet.
	Loose Clothing	Risk of loose clothing being drawn into air intake.
	Keep Bystanders Away	Keep all bystanders at least 50 ft. away.
	Hot Surface	To reduce the risk of injury or damage, avoid contact with any hot surface.
	Ricochet	Thrown objects can ricochet and result in personal injury or property damage.
	Gasoline and Lubricant	Use unleaded gasoline intended for motor vehicle use with an octane rating of 87 [(R + M) / 2] or higher. This product is powered by a 2-cycle engine and requires pre-mixing gasoline and 2-cycle lubricant.

FEATURES

PRODUCT SPECIFICATIONS

Engine Displacement.....42cc

Air Velocity:

MPH..... 185

CFM 510

KNOW YOUR BLOWER

See Figures 1 - 2.

The safe use of this product requires an understanding of the information on the product and in this operator's manual as well as a knowledge of the project you are attempting. Before use of this product, familiarize yourself with all operating features and safety rules.

ADJUSTABLE HARNESS AND WAIST STRAPS

The blower comes with fully adjustable harness and waist straps to ensure user comfort and ease of operation.

ADJUSTABLE THROTTLE CONTROL HANDLE

Easily adjust throttle control handle by loosening handle knob to position handle in desired location.

CRUISE CONTROL

The cruise control feature allows the user to operate the blower without holding the throttle.

ENGINE

The blower has a powerful 42cc engine with sufficient power to handle tough jobs.

MESH BACKING

The blower comes equipped with a mesh backing which aids in user comfort.

THROTTLE TRIGGER

The blower can be operated at any speed between idle and full throttle.

ASSEMBLY

UNPACKING

This product requires assembly.

- Carefully remove the product and any accessories from the box. Make sure that all items listed in the packing list are included.



WARNING:

Do not use this product if any parts on the Packing List are already assembled to your product when you unpack it. Parts on this list are not assembled to the product by the manufacturer and require customer installation. Use of a product that may have been improperly assembled could result in serious personal injury.

- Inspect the product carefully to make sure no breakage or damage occurred during shipping.
- Do not discard the packing material until you have carefully inspected and satisfactorily operated the product.
- If any parts are damaged or missing, please call 1-800-860-4050 for assistance.

PACKING LIST

Backpack Blower
Bellows
Throttle Control Handle Tube
Straight Tube
Nozzle
Large Tube Clamp (upper)
Small Tube Clamp (lower)
2-Cycle Engine Lubricant
Assembly Tool
Operator's Manual

NOTE: Read and remove all hang tags and store with your operator's manual.

ASSEMBLY

WARNING:

If any parts are damaged or missing do not operate this product until the parts are replaced. Use of this product with damaged or missing parts could result in serious personal injury.

WARNING:

Do not attempt to modify this product or create accessories not recommended for use with this product. Any such alteration or modification is misuse and could result in a hazardous condition leading to possible serious personal injury.

WARNING:

To prevent accidental starting that could cause serious personal injury, always disconnect the engine spark plug wire from the spark plug when assembling parts.

ASSEMBLING THE BLOWER TUBES

See Figures 3 - 5.

- Place a large tube clamp onto the outer slot of the upper (wider) end of the bellows.
- Attach upper end of bellows onto blower housing by sliding it over the air outlet. The raised ridge closest to the air outlet should securely fit into the slot inside the bellows when the bellows is properly installed. Tighten the large tube clamp using the assembly tool.
- Place a tube clamp on other end of bellows. Press bellows onto throttle control handle tube. Tighten small tube clamp using the assembly tool.
NOTE: The position of the throttle control handle may be adjusted for comfort after the blower is strapped onto the operator's back.
- Join the straight tube and nozzle together by aligning raised locking tabs on straight tube with the raised locking slots on nozzle and twist until the tubes snap into the locked position to secure.

NOTICE:

When correctly assembled, the tubes are difficult to separate. If they can easily be twisted apart, the tubes are not locked. Continue twisting together until the tubes snap into the locked position. Tubes that are not fully locked together can separate during blower operation.

- Assemble the connected straight tube and nozzle to the throttle control handle tube by aligning raised locking tabs on the throttle control handle tube with the raised locking slots on connected lower tubes by twisting to secure.

NOTE: Check all locking connections after initial run to ensure they are tightly secured.

CAUTION:

Make all adjustments to the harness straps before starting the blower to avoid the possibility of injury.

ADJUSTING HARNESS

See Figure 6.

Straps should be adjusted to a comfortable position before starting the blower.

To adjust harness strap assembly:

- Blower should be in operating position before adjusting the harness straps. Slip arm through harness strap and onto shoulder, then repeat for the other shoulder.
- Grasp the lower adjustment strap and tighten (pull down on strap) until the backpack blower rests comfortably against the small of the back.
- Next, grasp the upper adjustment straps and tighten (pull down on strap) until the backpack blower fits comfortably on the shoulders.
- Once the blower feels comfortable, secure the chest strap.

ADJUSTING THROTTLE CONTROL HANDLE

See Figure 7.

- Loosen locking screw by turning counterclockwise.
- Move throttle control handle to desired position and secure locking screw by turning clockwise.

OPERATION

WARNING:

Do not allow familiarity with this product to make you careless. Remember that a careless fraction of a second is sufficient to inflict serious injury.

WARNING:

Always wear eye protection with side shields marked to comply with ANSI Z87.1, along with hearing protection. Failure to do so could result in objects being thrown into your eyes and other possible serious injuries.

WARNING:

Do not use any attachments or accessories not recommended by the manufacturer of this product. The use of attachments or accessories not recommended can result in serious personal injury.

NOTICE:

The spark arrestor on this product has not been evaluated by the USDA Forest Service and cannot be used on U.S. forest lands. In addition, product users must comply with Federal, State, and local fire prevention regulations. Check with appropriate authorities. Contact customer service or a qualified service center to purchase a replacement spark arrestor.

NOTICE:

Before each use, inspect the entire product for damaged, missing, or loose parts such as screws, nuts, bolts, caps, etc. Tighten securely all fasteners and caps and do not operate this product until all missing or damaged parts are replaced. Please contact customer service or a qualified service center for assistance.

APPLICATIONS

You may use this product for the purposes listed below:

- Clear leaves and other debris from your lawn
- Keeping decks and driveways free from grass clippings, leaves, pine needles, and other debris

ETHANOL-BLENDED FUELS

NOTICE:

Do not use E15 or E85 fuel in this product. It is a violation of federal law and will damage the unit and void your warranty. Only use unleaded gasoline containing up to 10% ethanol.

NOTE: To improve performance when using oxygenated fuels, we recommend the use of Ethanol Shield 2-cycle lubricant.

FUELING AND REFUELING THE BLOWER

WARNING:

Gasoline and its vapors are highly flammable and explosive. To prevent serious personal injury and property damage, handle it with care. Keep away from ignition sources and open flames, handle outdoors only, do not smoke and wipe up spills immediately.

FUEL MIXTURE

This product is powered by a 2-cycle engine and requires pre-mixing gasoline and 2-cycle lubricant. Pre-mix unleaded gasoline and 2-cycle engine lubricant in a clean container approved for gasoline. DO NOT mix quantities larger than usable in a 30-day period.

Recommended fuel: This engine is certified to operate on unleaded gasoline intended for automotive use.

NOTE: We recommend you use Ethanol Shield 2-cycle lubricant, PowerCare 2-cycle lubricant (6.4 oz. or 16 oz.), or an equivalent high-quality synthetic 2-cycle lubricant in this product. Mix at 2.6 oz. per gallon (US).

Do not use automotive lubricant or 2-cycle outboard lubricant.

HIGH QUALITY 2-CYCLE ENGINE LUBRICANT



GASOLINE

1 gallon (US)
1 liter

LUBRICANT

2.6 oz.
20 cc (20 ml)

FILLING TANK

- Clean surface around fuel cap to prevent contamination.
- Loosen the fuel cap slowly by turning counterclockwise. Rest the cap on a clean surface.
- Carefully pour fuel mixture into the tank. Avoid spillage.
- Prior to replacing the fuel cap, clean and inspect the gasket.
- Immediately replace fuel cap and hand tighten by turning it clockwise. Wipe up any fuel spillage.
- Move at least 30 ft. away from refueling area before starting the product.

NOTE: It is normal for smoke to be emitted from a new engine after first use.

OPERATION

WARNING:

Always shut off engine before fueling. Never remove fuel cap or add fuel to a machine with a running or hot engine. Make sure the unit is sitting on a flat, level surface and only add fuel outdoors. If the engine is hot, let the unit cool for at least five minutes before adding fuel. After fueling, immediately replace fuel cap and tighten securely. Move at least 30 ft. from refueling site before starting engine. Do not smoke and stay away from open flames and sparks! Failure to follow these instructions could result in a fire and cause serious personal injury.

STARTING AND STOPPING

See Figures 8 - 10.

Blower should be on a flat, bare surface for starting.

- Slowly press the primer bulb 10 times.
NOTE: After the 10th press, fuel should be visible in the primer bulb. If it is not, continue to press the primer until you see fuel in the bulb.
- Release the cruise control, pull cruise control lever all the way up (set to Idle).
- Set the choke lever to the **START** position A.
- Pull starter grip and rope sharply until engine attempts to run. Do not pull the starter grip and rope more than five (5) times.
- Set the choke lever to the **RUN** position B.
- Pull the starter grip and rope until the engine runs. Do not pull the starter grip and rope more than six (6) times.
NOTE: If the engine does not start, return to the **START** position and repeat the steps that follow.
- Allow the engine to run for 20 seconds before using the blower.

TO STOP THE ENGINE:

- To stop the engine, depress the STOP switch to the stop position "O".

HOT RESTART OF THE ENGINE:

- Set the choke lever to the **RUN** position B.
- Push cruise control lever down and stop at the desired throttle setting.
- Pull the starter grip and rope until the engine runs.

IF ASSISTANCE IS REQUIRED STARTING THIS PRODUCT:

Do not return this product to the retail store where it was purchased. Please call our Customer Service Department for any issues you may have.

For Help Call: 1-800-860-4050.

OPERATING THE BLOWER

See Figure 11.

WARNING:

Engine housing can become hot during operation. Do not touch or place any part of your body or clothing on the engine housing, vents surrounding the muffler, or exhaust port when starting, operating, or transporting the blower. Stop and allow the engine to cool down for at least 15 minutes prior to storing the blower and do not allow blower to contact combustible materials when storing. Contact with the engine housing, muffler vents, or exhaust gases could result in serious burns and/or ignite combustible materials.

NOTICE:

Always operate your product in compliance with all applicable laws and ordinances.

- Slip arm through harness strap and onto shoulder, then repeat for the other shoulder. Adjust the straps to a comfortable position. Refer to **Adjusting Harness Straps** earlier in this manual. Remove unit for starting.
- Start the blower. Refer to **Starting and Stopping** earlier in this manual.
- Put on the blower again. The unit should be operated on the operator's right side as shown.
- To keep from scattering debris, blow around the outer edges of a debris pile. Never blow directly into the center of a pile.
- Operate power equipment at reasonable hours only — not early in the morning or late at night when people might be disturbed. Comply with the times listed in local ordinances.
- To reduce sound levels, limit the number of pieces of equipment used at any one time.
- Operate blower at the lowest possible throttle speed to do the job.
- Check your equipment before operation, especially the muffler, air intakes, and air filters.
- Use rakes and brooms to loosen debris before blowing. In dusty conditions, slightly dampen surfaces when water is available.
- Conserve water by using power blowers instead of hoses for many lawn and garden applications, including areas such as gutters, screens, patios, grills, porches, and gardens.
- Watch out for children, pets, open windows, or freshly washed cars, and blow debris safely away.
- Use the nozzle for larger volume, so the air stream can work close to the ground.
- After using blowers or other equipment, **CLEAN UP!** Dispose of debris properly.

OPERATION

WARNING:

Do not place blower on top of or near loose debris. Debris can be sucked into blower intake vent resulting in serious personal injury and possible damage to the unit.

CRUISE CONTROL

See Figure 12.

The cruise control can be used to operate the blower without holding the throttle trigger.

To engage the cruise control:

- Push cruise control lever down and stop at the desired throttle setting.
- To release the cruise control, pull cruise control lever all the way up.

MAINTENANCE

Normal maintenance, replacement or repair of emission control devices and systems may be performed by any qualified repair establishment or individual with original or equivalent parts. Warranty and recall repairs must be performed by an authorized service center; please contact customer service for assistance.

WARNING:

Before inspecting, cleaning, or servicing the machine, shut off engine, wait for all moving parts to stop, and disconnect spark plug wire and move it away from spark plug. Failure to follow these instructions can result in serious personal injury or property damage.

WARNING:

Always wear eye protection with side shields marked to comply with ANSI Z87.1, along with hearing protection. Failure to do so could result in objects being thrown into your eyes and other possible serious injuries.

WARNING:

When servicing, use only recommended or equivalent replacement parts. Use of any other parts could create a hazard or cause product damage.

NOTICE:

Periodically inspect the entire product for damaged, missing, or loose parts such as screws, nuts, bolts, caps, etc. Tighten securely all fasteners and caps and do not operate this product until all missing or damaged parts are replaced. Please contact customer service or a qualified service center for assistance.

GENERAL MAINTENANCE

Avoid using solvents when cleaning plastic parts. Most plastics are susceptible to damage from various types of commercial solvents and may be damaged by their use. Use clean cloths to remove dirt, dust, lubricant, grease, etc.

WARNING:

Do not at any time let brake fluids, gasoline, petroleum-based products, penetrating lubricants, etc., come in contact with plastic parts. Chemicals can damage, weaken or destroy plastic which can result in serious personal injury.

SPARK PLUG

This engine uses a Champion RCJ4 or equivalent spark plug with .025 in. electrode gap. Use a recommended or equivalent replacement and replace annually, or more frequently if necessary.

NOTICE:

Be careful not to cross-thread the spark plug. Cross-threading will seriously damage the product.

CLEANING THE EXHAUST PORT

NOTICE:

The spark arrestor on this product has not been evaluated by the USDA Forest Service and cannot be used on U.S. forest lands. In addition, product users must comply with Federal, State, and local fire prevention regulations. Check with appropriate authorities. Contact customer service or a qualified service center to purchase a replacement spark arrestor.

NOTE: Depending on the type of fuel used, the type and amount of lubricant used, and/or your operating conditions, the exhaust port, muffler, and/or spark arrestor screen may become blocked with carbon deposits. If you notice a power loss with your gas powered tool, you may need to remove these deposits to restore performance. We highly recommend that only qualified service technicians perform this service.

MAINTENANCE

The spark arrestor must be cleaned or replaced every 50 hours or yearly to ensure proper performance of your product. Spark arrestors may be in different locations depending on the model purchased. Please contact your nearest service dealer for the location of the spark arrestor for your model.

⚠ WARNING:

Never run the blower without a muffler equipped with a spark arrestor in place. Failure to do so could result in a fire that could cause serious personal injury.

FUEL CAP, TANK, AND LINES

⚠ WARNING:

Check for fuel leaks. A leaking fuel cap, tank, or line is a fire hazard and must be replaced immediately. If you find any leaks, correct the problem before using the product. Failure to do so could result in a fire that could cause serious personal injury.

The fuel cap contains a non-serviceable filter and a check valve. A clogged fuel filter will cause poor engine performance. If performance improves when the fuel cap is loosened, the check valve may be faulty or filter clogged. Replace the fuel cap if required.

STORING THE PRODUCT

- Clean all foreign material from the product. Store it in a well-ventilated place that is inaccessible to children. Keep away from corrosive agents such as garden chemicals and de-icing salts.
- Abide by all Federal and local regulations for the safe storage and handling of gasoline.

When storing 1 month or longer:

- Drain all fuel from tank into a container approved for gasoline. Run engine until it stops.

HIGH ALTITUDE ENGINE OPERATION

Your engine is configured for operation below 2000 feet altitude at the factory. Your engine must be reconfigured for operation above 2000 feet altitude. Operating the engine with the wrong engine configuration at a given altitude may increase its emissions, decrease fuel efficiency, degrade performance, and cause irreversible damage. Engines configured for high altitude operation cannot be operated in standard altitude conditions. A qualified service center should ensure that your engine is properly configured for your location.

THIS PRODUCT WAS MANUFACTURED WITH A CATALYST MUFFLER

Congratulations! You have made an investment toward protecting the environment. In order to maintain this product's original emission level, please refer to the maintenance section below.

MAINTENANCE SCHEDULE

Maintenance Part	Inspect for Damage Before Each Use	Clean Every 5 Hours	Replace Every 25 Hours or Yearly	Replace Every 50 Hours
*CATALYTIC MUFFLER ASSEMBLY				X
SPARK SCREEN				X
*CARBURETOR ASSY				
includes:				
Gaskets	X			
*FUEL TANK ASSY				
includes:				
Fuel Lines	X			
Fuel Cap	X			
Fuel Filter			X	
*IGNITION ASSY				
includes:				
Spark Plug			X	
* NOTICE: THE USE OF EMISSION CONTROL COMPONENTS OTHER THAN THOSE DESIGNED FOR THIS UNIT IS A VIOLATION OF FEDERAL LAW.				

TROUBLESHOOTING

Problem	Possible Cause	Solution
Engine will not start.	No spark.	Check spark. Remove spark plug. Reattach the spark plug cap and lay spark plug on metal cylinder. Pull the starter rope and watch for spark at spark plug tip. If there is no spark, repeat test with a new spark plug.
	No fuel.	Push primer bulb until bulb is full of fuel. If bulb does not fill, primary fuel delivery system is blocked. Contact a servicing dealer. If primer bulb fills, engine may be flooded, proceed to next item.
	Engine is flooded.	Allow the unit to sit for 30 minutes. Place choke in the RUN position. Hold throttle at full throttle and pull to start. If unit does not start within 15 pulls, replace the spark plug and try restarting the engine.
	Starter rope pulls harder now than when new.	Contact a qualified service center.
Engine starts but will not accelerate.	Engine requires approximately three minutes to warm up.	Allow engine to completely warm up. If engine does not accelerate after three minutes, contact a qualified service center.
Engine starts but will only run at high speed at half choke.	Carburetor requires adjustment.	Contact a qualified service center.
Engine does not reach full speed and emits excessive smoke.	Check lubricant fuel mixture.	Use fresh fuel and the correct 2-cycle lubricant mix.
	Air filter is dirty.	Contact a qualified service center.

If problem persists after trying the above solutions, contact customer service or a qualified service center for assistance.

NOTICE:

As the equipment owner, you are responsible for the performance of the required maintenance listed in the *Maintenance* section. It is recommended that you retain all receipts covering maintenance on your equipment. Neglecting or failing to perform the required maintenance may increase emissions, decrease fuel efficiency, degrade performance, cause irreversible engine damage and/or void your warranty.



CALL US FIRST

For any questions about operating or maintaining your product, call the Ryobi™ Help Line!

Your product has been fully tested prior to shipment to ensure your complete satisfaction.

WARRANTY

LIMITED WARRANTY STATEMENT

Techtronic Industries North America, Inc., warrants to the original retail purchaser that this RYOBI™ brand outdoor product is free from defect in material and workmanship and agrees to repair or replace, at Techtronic Industries North America, Inc.'s, discretion, any defective product free of charge within these time periods from the date of purchase.

- Three years if the product is used for personal, family or household use;
- 30 days, if used for any other purpose, such as commercial or rental.

This warranty extends to the original retail purchaser only and commences on the date of the original retail purchase.

Any part of this product found in the reasonable judgment of Techtronic Industries North America, Inc. to be defective in material or workmanship will be repaired or replaced without charge for parts and labor by an authorized service center for RYOBI™ brand outdoor products (Authorized Ryobi Service Center).

The product, including any defective part, must be returned to an authorized Ryobi service center within the warranty period. The expense of delivering the product to the service center for warranty work and the expense of returning it back to the owner after repair or replacement will be paid by the owner. Techtronic Industries North America, Inc.'s, responsibility in respect to claims is limited to making the required repairs or replacements and no claim of breach of warranty shall be cause for cancellation or rescission of the contract of sale of any RYOBI™ brand outdoor product. Proof of purchase will be required by the dealer to substantiate any warranty claim. All warranty work must be performed by an authorized service dealer.

This warranty is limited to thirty (30) days from the date of original retail purchase for any RYOBI™ brand outdoor product that is used for rental or commercial purposes, or any other income-producing purpose.

This warranty does not cover any product that has been subject to misuse, neglect, negligence, or accident, or that has been operated in any way contrary to the operating instructions as specified in this operator's manual. This warranty does not apply to any damage to the product that is the result of improper maintenance or to any product that has been altered or modified. The warranty does not extend to repairs made necessary by normal wear or by the use of parts or accessories which are either incompatible with the RYOBI™ brand outdoor product or adversely affect its operation, performance, or durability. In addition, this warranty does not cover:

A. Tune-ups – Spark Plugs, Carburetor, Carburetor Adjustments, Ignition, Filters

B. Wear items – Bump Knobs, Outer Spools, Cutting Lines, Inner Reels, Starter Pulleys, Starter Ropes, Drive Belts, Tines, Felt Washers, Hitch Pins, Mulching Blades, Blower Fans, Blower and Vacuum Tubes, Vacuum Bag and Straps, Guide Bars, Saw Chains

Techtronic Industries North America, Inc., reserves the right to change or improve the design of any RYOBI™ brand outdoor product without assuming any obligation to modify any product previously manufactured.

ALL IMPLIED WARRANTIES ARE LIMITED IN DURATION TO THE STATED WARRANTY PERIOD. ACCORDINGLY, ANY SUCH IMPLIED WARRANTIES INCLUDING MERCHANTABILITY, FITNESS FOR A PARTICULAR PURPOSE, OR OTHERWISE, ARE DISCLAIMED IN THEIR ENTIRETY AFTER THE EXPIRATION OF THE APPROPRIATE THREE-YEAR OR THIRTY-DAY WARRANTY PERIOD. TECHTRONIC INDUSTRIES NORTH AMERICA, INC.'S, OBLIGATION UNDER THIS WARRANTY IS STRICTLY AND EXCLUSIVELY LIMITED TO THE REPAIR OR REPLACEMENT OF DEFECTIVE PARTS AND TECHTRONIC INDUSTRIES NORTH AMERICA, INC., DOES NOT ASSUME OR AUTHORIZE ANYONE TO ASSUME FOR THEM ANY OTHER OBLIGATION. SOME STATES DO NOT ALLOW LIMITATIONS ON HOW LONG AN IMPLIED WARRANTY LASTS, SO THE ABOVE LIMITATION MAY NOT APPLY TO YOU. TECHTRONIC INDUSTRIES NORTH AMERICA, INC., ASSUMES NO RESPONSIBILITY FOR INCIDENTAL, CONSEQUENTIAL, OR OTHER DAMAGES INCLUDING, BUT NOT LIMITED TO, EXPENSE OF RETURNING THE PRODUCT TO AN AUTHORIZED RYOBI SERVICE CENTER AND EXPENSE OF DELIVERING IT BACK TO THE OWNER, MECHANIC'S TRAVEL TIME, TELEPHONE OR TELEGRAM CHARGES, RENTAL OF A LIKE PRODUCT DURING THE TIME WARRANTY SERVICE IS BEING PERFORMED, TRAVEL, LOSS OR DAMAGE TO PERSONAL PROPERTY, LOSS OF REVENUE, LOSS OF USE OF THE PRODUCT, LOSS OF TIME, OR INCONVENIENCE. SOME STATES DO NOT ALLOW THE EXCLUSION OR LIMITATION OF INCIDENTAL OR CONSEQUENTIAL DAMAGES, SO THE ABOVE LIMITATION OR EXCLUSION MAY NOT APPLY TO YOU.

This warranty gives you specific legal rights, and you may also have other rights which vary from state to state.

This warranty applies to all RYOBI™ brand outdoor products manufactured by or for Techtronic Industries North America, Inc., and sold in the United States and Canada.

To locate your nearest Authorized Ryobi Service Center, dial 1-800-860-4050.

RÈGLES DE SÉCURITÉ GÉNÉRALES

AVERTISSEMENT :

Lire attentivement toutes les instructions. Le non-respect de toutes les instructions ci-dessous peut entraîner un choc électrique, un incendie et / ou une intoxication par le monoxyde de carbone, ce qui peut causer des blessures graves voire la mort.

- Ne pas laisser des enfants ou personnes n'ayant pas reçu une formation adéquate utiliser cet unité.
- Ne pas démarrer ou faire tourner le moteur dans un espace confiné, de bâtiment, à proximité des fenêtres ouverts, autre ou des zones sans ventilation où des vapeurs toxiques de monoxyde de carbone peuvent s'accumuler. Le monoxyde de carbone, un gaz incolore, inodore et extrêmement toxique peut causer une perte de conscience et être mortel
- Toujours porter une protection oculaire avec écrans latéraux certifiée conforme à la norme ANSI Z87.1, avec protection auditive. Si cette précaution n'est pas prise, des objets peuvent être projetés dans les yeux et d'autres lésions graves.
- Garder les badauds, enfants et visiteurs à une distance de 15 m (50 pi).
- Porter des pantalons longs, manches longues, des chaussures de travail et des gants épais. Ne pas porter de vêtements amples, shorts, sandales, bijoux quels qu'ils soient et ne pas travailler pieds nus.
- Pour réduire le risque de blessure lié aux objets aspirés dans les pièces rotatives, ne porter ni vêtements amples, ni foulards, ni chaînette de cou, ni d'autres accessoires semblables.
- Attacher les cheveux longs pour les maintenir au-dessus des épaules, afin qu'ils ne se prennent pas dans les pièces en rotation.
- Ne pas utiliser cet appareil en cas de fatigue, sont souffrant, préoccupé ou dérangé, ou sous l'influence de l'alcool, de drogues ou de médicaments.
- Ne pas travailler sous un éclairage insuffisant.
- Garder toutes les parties du corps à l'écart des pièces en mouvement et des parties brûlantes de l'outil.
- Porter un masque facial filtrant dans les milieux poussiéreux afin de réduire le risque de lésions lié à l'inhalation de poussière.

- Examiner la zone de travail avant chaque utilisation. La débarrasser de tous les objets tels que cailloux, verre brisé, clous, fils métalliques, cordes, etc. risquant d'être projetés ou de se prendre dans la machine.
- Se tenir bien campé et en équilibre. Ne pas travailler hors de portée. Le travail hors de portée risque de faire perdre l'équilibre ou de causer un contact avec les pièces brûlantes.
- Laisser le moteur refroidir avant de remiser l'outil.
- Vider le réservoir de carburant dans un contenant approuvé pour l'essence et immobiliser l'unité avant de la transporter dans un véhicule.
- Conserver le carburant dans un bidon ou jerrican approuvé pour l'essence.
- Utiliser exclusivement des pièces de rechange et accessoires le recommandées ou équivalentes. Ne pas suivre cette recommandation peut entraîner un mauvais fonctionnement et des blessures.
- Entretenir l'outil conformément aux instructions de ce Manuel d'Utilisation.
- Inspecter le produit avant chaque utilisation pour s'assurer qu'il n'y a pas de pièces desserrées, de fuites de carburant, etc. Remplacer les pièces endommagées avant utilisation.
- Ne pas utiliser sur une échelle, un toit, dans un arbre ou sur toute surface instable. Une position stable sur une surface solide garantit un meilleur contrôle de la soufflante dans des situations imprévues.

DÉPANNAGE

- Avant de nettoyer, réparer ou inspecter, arrêter le moteur et vérifier que toutes les pièces en mouvement sont immobilisées. Déconnecter le fil de bougie et le garder à l'écart de la bougie afin d'empêcher un démarrage accidentel.
- Il est recommandé d'apporter la soufflante à un centre de réparations qualifié pour la faire réparer pour éviter que des réparations effectuées par une personne inexpérimentée ou non qualifiée puissent endommager la soufflante, créer des conditions dangereuses, des blessures à l'utilisateur et annuler la garantie.
- Utiliser exclusivement des pièces recommandées ou équivalentes à celles d'origine pour les réparations. L'usage de toute autre pièces peut présenter des risques de blessures ou de dommage pour l'outil.

RÈGLES DE SÉCURITÉ PARTICULIÈRES




- Pour réduire les risques de perte de l'ouïe causée par le niveau sonore, porter une protection auditive.
- Pour réduire les risques de blessures infligées par des pièces en rotation, arrêter le moteur avant d'installer ou de retirer des accessoires. Ne pas utiliser la machine sans que tous les dispositifs de protection et tubes soient en place. Toujours débrancher le fil de bougie avant de procéder à un entretien ou d'accéder à des pièces en mouvement.
- Les lames de ventilateur en rotation peuvent causer des blessures graves. Ne pas mettre les mains ou quelque objet que ce soit dans la sortie d'air du logement ou dans les tubes de la soufflante.
- Ne pas diriger la soufflante vers une personne ou un animal.
- Ne jamais utiliser la soufflante sans les tubes installés.
- Ne jamais rien insérer dans les tubes.
- Ne jamais utiliser la soufflante/aspirateur à proximité de flammes, d'un foyer, de cendres chaudes, d'un grill, etc. Ne pas respecter cette directive peut entraîner la propagation du feu.
- Ne placer la soufflante sur aucune surface lorsque le moteur fonctionne, sauf si cette surface est rigide et propre. Le gravier, le sable et d'autres débris peuvent être aspirés par l'admission d'air et projetés vers l'utilisateur ou les personnes à proximité, ce qui peut causer des blessures graves.
- Ne jamais utiliser pour répandre des engrais, produits chimiques, substances toxiques ou autres produits dangereux.
- Toujours tenir la poignée de commande d'accélérateur avec la main droite. Voir *Utilisation* plus loin dans ce manuel, pour des informations supplémentaires.
- Ce produit est conçu pour les personnes qui prévoient l'utiliser de manière peu fréquente pour des applications générales par exemple, souffler les feuilles et les brins d'herbe, etc.; l'outil peut également convenir à d'autres utilisateurs occasionnels. Elle n'est pas conçue pour un usage prolongé. Les périodes d'utilisation prolongée peuvent entraîner des problèmes circulatoires dans les mains de l'opérateur, causés par les vibrations. Pour ce type d'application, il peut être bon d'utiliser une scie équipée d'un dispositif anti-vibrations.

RAVITAILLEMENT EN CARBURANT












- Le carburant est extrêmement inflammable. Lors de l'utilisation, prendre les précautions nécessaires pour réduire le risque de blessures graves.
- Pour le transport dans un véhicule, le réservoir doit être vide et la machine bien arrimée.
- Manipuler le carburant avec précaution pour éviter les risques d'incendies et de brûlures. Le carburant est extrêmement inflammable.
- Ne pas fumer pendant la manipulation du carburant.
- Mélanger et conserver le carburant dans un bidon ou jerrycan approuvé pour l'essence.
- Mélanger le carburant à l'extérieur, loin de toute flamme ou source d'étincelles.
- Poser la machine sur un sol nu, arrêter le moteur et le laisser refroidir avant de faire le plein.
- Desserrer le bouchon du réservoir lentement pour relâcher la pression et éviter que le carburant s'échappe.
- Une fois le réservoir plein, remettre le bouchon en place et le serrer fermement.
- Essuyer tout le carburant éventuellement répandu. S'éloigner de 9 m (30 pi) du point d'approvisionnement avant de lancer le moteur.
- N'essayer en aucun cas de brûler le carburant répandu.
- Conserver le carburant dans une zone froide bien ventilée à l'écart d'étincelles et / ou de matériels produisant des flammes.
- Conserver le carburant dans des jerrycans spécialement conçus à cet effet.
- Toujours faire le plein à l'extérieur et ne pas fumer pendant cette opération.
- Faire l'appoint de carburant avant de lancer le moteur. Ne jamais retirer le bouchon du réservoir de carburant ni faire l'appoint pendant que le moteur tourne ou est chaud.
- Si du carburant est répandu, ne pas essayer de lancer le moteur, mais éloigner la machine et éviter de créer une source d'inflammation jusqu'à ce que les vapeurs de carburant se soient dissipées.
- Remettre en place les bouchons de jerrycan et de réservoir de carburant et les serrer fermement.
- Lors de la vidange du réservoir de carburant, utiliser un bidon ou jerrycan approuvé pour la conservation de carburant et procéder dans un endroit bien aéré.
- Conserver ces instructions. Les consulter fréquemment et les utiliser pour instruire d'autres utilisateurs. Si cet outil est prêté, il doit être accompagné de ces instructions.

SYMBOLES

Les termes de mise en garde suivants et leur signification ont pour but d'expliquer le degré de risques associé à l'utilisation de ce produit.

SYMBOLE	SIGNAL	SIGNIFICATION
	DANGER :	Indique une situation dangereuse qui, si elle n'est pas évitée, aura pour conséquences des blessures graves ou mortelles.
	AVERTISSEMENT :	Indique une situation dangereuse qui, si elle n'est pas évitée, pourrait entraîner des blessures graves ou mortelles.
	ATTENTION :	Indique une situation dangereuse qui, si elle n'est pas évitée, pourrait entraîner des blessures légères ou de gravité modérée.
	AVIS :	(Sans symbole d'alerte de sécurité) Indique les informations jugées importantes sans toutefois représenter un risque de blessure (ex. : messages concernant les dommages matériels).

Certains des symboles ci-dessous peuvent être présents sur la produit. Veiller à les étudier et à apprendre leur signification. Une interprétation correcte de ces symboles permettra d'utiliser la produit plus efficacement et de réduire les risques.

SYMBOLE	NOM	EXPLICATION
	Symbole d'alerte de sécurité	Indique un risque de blessure potentiel
	Lire le manuel d'utilisation	Pour réduire les risques de blessures, l'utilisateur doit lire et veiller à bien comprendre le manuel d'utilisation avant d'utiliser ce produit.
	Porter une protection oculaire et auditive	Toujours porter une protection oculaire certifiée conforme à la norme ANSI Z87.1 ainsi qu'un protection auditive.
	Lames de ventilateur	Le contact avec les lames de ventilateur en rotation peuvent causer des blessures graves.
	Tubes de soufflante/aspirateur	Ne pas utiliser la machine sans les tubes en place.
	Cheveux longs	Risque d'aspiration des cheveux longs dans l'entrée d'air
	Vêtements amples	Risque d'aspiration des vêtements amples dans l'entrée d'air
	Ne laisser personne s'approcher	Garder les badauds à une distance de 15 m (50 pi) minimum.
	Surface brûlante	Pour éviter les risques de blessures ou de dommages, éviter tout contact avec les surfaces brûlantes.
	Ricochet	Les objets projetés peuvent ricocher et infliger des blessures ou causer des dommages matériels.
	Essence et lubrifiant	Utiliser de l'essence sans plomb pour automobiles, avec un indice d'octane de 87 [(R + M) / 2] ou plus. Cet outil utilise un moteur deux temps qui nécessite le mélange d'essence et de lubrifiant 2 temps.

CARACTÉRISTIQUES

FICHE TECHNIQUE

Cylindrée 42 cc

Vitesse d'air :

Mi/h..... 185

Pi₃/min 510

APPRENDRE À CONNAÎTRE LA SOUFFLANTE

Voir les figures 1 et 2.

La sécurité d'utilisation de ce produit exige la compréhension des informations apposées sur l'outil et contenues dans ce manuel d'utilisation, ainsi que la connaissance du travail à exécuter. Avant d'utiliser ce produit, se familiariser avec toutes ses fonctions et règles de sécurité.

SANGLES DE HARNAIS ET DE CEINTURE RÉGLABLES

Un harnais et des sangles de ceintures complètement réglables sont fournis avec la soufflante pour assurer le confort et la facilité d'utilisation.

MANETTE DE COMMANDE DES GAZ RÉGLABLE

Régler aisément la manette de commande des gaz en desserrant la molette de la manette pour placer cette dernière à l'emplacement souhaité.

RÉGULATEUR DE VITESSE

Le régulateur de vitesse permet d'utiliser la soufflante sans maintenir d'accélérateur.

MOTEUR

Cette soufflante est équipée d'un moteur de 42 cc assez puissant pour s'acquitter des tâches les plus dures.

DOUBLURE MAILLÉE

La soufflante est dotée d'une doublure maillée pour le confort de l'utilisateur.

GÂCHETTE D'ACCÉLÉRATEUR

La soufflante peut être utilisée à n'importe quelle vitesse entre le ralenti et le régime maximum.

ASSEMBLAGE

DÉBALLAGE

Ce produit doit être assemblé.

- Avec précaution, sortir la produit et les accessoires de la boîte. S'assurer que toutes les pièces figurant sur la liste de contrôle sont incluses.

AVERTISSEMENT :

Ne pas utiliser le produit si, en le déballant, vous constatez que des éléments figurant dans la liste d'expédition sont déjà assemblés. Certaines pièces figurant sur cette liste n'ont pas été assemblées par le fabricant et exigent une installation. Le fait d'utiliser un produit qui a été assemblé de façon inadéquate peut entraîner des blessures.

- Examiner soigneusement la produit pour s'assurer que rien n'a été brisé ou endommagé en cours de transport.
- Ne pas jeter les matériaux d'emballage avant d'avoir soigneusement examiné la produit et avoir vérifié qu'il fonctionne correctement.
- Si des pièces sont manquantes ou endommagées, appeler le 1-800-860-4050.

LISTE D'EXPÉDITION

Ensemble de soufflante dorsale

Soufflets

Tube de poignée de commande d'accélérateur

Tube droit

Buse

Grand collier du tuyau (supérieur)

Petite collier du tuyau (inférieur)

Lubrifiant 2 temps

Outil de montage

Manuel d'utilisation

NOTE : Lire toutes les étiquettes avant de les retirer et de les ranger avec le manuel d'utilisation.

AVERTISSEMENT :

Si des pièces manquent ou sont endommagées, ne pas utiliser ce produit avant qu'elles aient été remplacées. L'utilisation sûre de ce produit avec les pièces manquantes ou endommagées pourrait entraîner des blessures graves.

ASSEMBLAGE

AVERTISSEMENT :

Ne pas essayer de modifier cet produit ou de créer des accessoires non recommandés pour ce produit. De telles altérations ou modifications sont considérées comme un usage abusif et peuvent créer des conditions dangereuses, risquant d'entraîner des blessures graves.

AVERTISSEMENT :

Pour empêcher un démarrage accidentel pouvant entraîner des blessures graves, toujours déconnecter le fil de bougie de moteur de la bougie d'allumage avant d'assembler des pièces.

ASSEMBLAGE DES TUBES DE SOUFFLANTE

Voir les figures 3 à 5.

- Placer un collier du tuyau supérieur sur fente extérieure du supérieur (plus grand) la fin des soufflet.
 - Attacher la fin supérieure de soufflet sur le boîtier du souffleur par le glissement il sur la sortie d'air. L'nervure en saillie la plus proche à la sortie d'air devrait ajuster assurément dans l'entaille dans les soufflet quand les soufflet sont appropriée installés. Serrer le collier du tuyau supérieur utilisant l'outil de montage.
 - Placer un collier du tuyau à l'autre extrémité du soufflet. Appuyer le soufflet sur le tube de la manette de commande des gaz. Serrer le collier du tuyau inférieur utilisant l'outil de montage.
- NOTE :** La position de la poignée de commande peut être réglée pour le confort d'utilisation une fois que la soufflante est sanglée sur le dos de l'opérateur.
- Assembler le tube droit et la buse en alignant les languettes de verrouillage en saillie du tube sur les fentes en saillie de l'embout et tourner jusqu'à ce que les tubes s'emboîtent dans la position verrouillée.

AVIS :

Lorsque les tubes sont assemblés correctement, ils seront difficiles à séparer. S'il est facile de les séparer, les tubes ne sont pas verrouillés. Continuer à les tourner jusqu'à ce que les tubes s'emboîtent dans la position verrouillée. Des tubes non verrouillés peuvent se séparer pendant le fonctionnement de la soufflante.

- Installer les tube droit et la buse assemblés sur le tube de commande d'accélérateur en alignant les languettes de verrouillage en saillie de ce dernier sur les fentes en saillie des tubes inférieurs et tourner pour assujettir l'ensemble.

NOTE : Vérifier tous les raccords de tubes après la première utilisation, pour s'assurer qu'ils sont fermement serrés.

ATTENTION :

Pour éviter tout risque de blessure, régler les sangles du harnais avant de démarrer la soufflante.

RÉGLAGE DES SANGLES DE HARNAIS

Voir la figure 6.

Les sangles doivent être ajustées pour assurer le confort d'utilisation avant de démarrer la soufflante.

Pour régler les sangles du harnais :

- La soufflante doit être en position d'utilisation avant d'ajuster les sangles. Passer un bras dans l'une des sangles, placer la sangle sur l'épaule et faire de même avec l'autre bras.
- Tenir la sangle de réglage inférieur et serrer (tirer la sangle vers le bas) jusqu'aux repos de soufflante dorsale confortablement contre le petit du dos.
- Après, saisir la sangle de réglage supérieur et aflojar (la force en bas sur sangle) jusqu'aux crises de soufflante dorsale confortablement sur les épaules.
- Une fois la soufflerie se sent confortable, obtenir la sangle pectorale.

RÉGLAGE DE LA POIGNÉE DE COMMANDE D'ACCÉLÉRATEUR

Voir la figure 7.

- Desserrer la vis de blocage de la poignée en la tournant vers la gauche.
- Mettre la poignée de commande d'accélérateur sur la position désirée et resserrer la vis de blocage en la tournant vers la droite.

UTILISATION

AVERTISSEMENT :

Ne pas laisser la familiarité avec le produit faire oublier la prudence. Ne pas oublier qu'une fraction de seconde d'inattention peut entraîner des blessures graves.

AVERTISSEMENT :

Toujours porter une protection oculaire avec écrans latéraux certifiée conforme à la norme ANSI Z87.1, avec protection auditive. Si cette précaution n'est pas prise, des objets peuvent être projetés dans les yeux et causer des lésions graves.

UTILISATION

AVERTISSEMENT :

Ne pas utiliser d'outils ou accessoires non recommandés pour cet outil. L'utilisation de pièces et accessoires non recommandés peut entraîner des blessures graves.

AVIS :

Le pare-étincelles sur ce produit n'a pas été évalué par le Service forestier des États-Unis et ne peut pas être utilisé sur des terrains forestiers des États-Unis. De plus, les utilisateurs du produit doivent respecter les réglementations locales et gouvernementales de lutte contre l'incendie. Consulter les autorités appropriées. Communiquer avec le service à la clientèle ou un centre de réparations qualifié pour acheter un pare-étincelles de rechange.

AVIS :

Avant chaque utilisation, inspecter au complet le produit afin de s'assurer qu'aucune pièce (vis, écrous, boulons, chapeaux, etc.) n'est endommagée, manquante ou desserrée. Serrer solidement toutes les pièces de fixation et les chapeaux et ne pas utiliser le produit tant que toutes les pièces manquantes ou endommagées n'ont pas été remplacées. Veuillez communiquer avec le service à la clientèle ou un centre de réparations qualifié pour obtenir de l'aide.

APPLICATIONS

Ce produit peut être utilisé pour les applications ci-dessous:

- Élimination des feuilles et débris des pelouses
- Maintenez les patios et entrées dégagés d'herbe coupée, de feuilles, d'aiguilles de pin, et d'autres débris

CARBURANTS À BASE D'ÉTHANOL

AVIS :

Ne pas utiliser d'essence E15 ou E85 dans ce produit. Une telle utilisation représente une violation de la loi fédérale et endommagera l'appareil et annulera la garantie. Utiliser seulement de l'essence sans plomb ne contenant pas plus de 10 % d'éthanol.

NOTE : Il est recommandé d'utiliser le lubrifiant pour moteur 2 temps Ethanol Shield pour améliorer la performance avec l'utilisation d'essence oxygénée.

APPROVISIONNEMENT ET CARBURANT

AVERTISSEMENT :

L'essence et les vapeurs qu'elle dégage sont extrêmement inflammables et explosives. Pour éviter des blessures graves et des dommages matériels, manipuler avec précaution. Garder le produit à l'écart des sources d'inflammation et des flammes vives, l'utiliser uniquement à l'extérieur, ne pas fumer au moment de mélanger l'essence et l'huile, et essuyer rapidement tout carburant répandu.

MÉLANGE DE CARBURANT

Cet outil utilise un moteur deux temps qui nécessite le mélange d'essence et de lubrifiant 2 temps. Mélanger de l'essence sans plomb et de le lubrifiant moteur 2 temps dans un jerrycan propre homologué pour l'essence. NE PAS mélanger plus de carburant qu'il ne sera utilisé dans une période de 30 jours.

Carburant recommandé : Cet outil est certifié pour fonctionner avec de l'essence sans plomb pour véhicules automobiles.

NOTE : Nous recommandons l'utilisation d'huile pour moteur 2 temps Ethanol Shield, l'huile Power Care pour moteur 2 temps de 189 ou 473 ml (6,4 ou 16 oz), ou une huile synthétique de première qualité semblable pour moteur 2 temps dans ce produit. Mélanger 76 ml par 3,8 L (2,6 oz par gallon US).

Ne pas utiliser de lubrifiant automobile ou pour moteur hors-bord 2 temps.

LUBRIFIANT 2 TEMPS DE HAUTE QUALITÉ



ESSENCE

1 gallon (US)
1 litre

LUBRIFIANT

2,6 oz.
20 cc (20 ml)

REPLISSAGE DU RÉSERVOIR

- Nettoyer le pourtour du bouchon de remplissage pour éviter la contamination du carburant.
- Desserrer le bouchon du réservoir de carburant lentement en le tournant lentement vers la gauche. Poser le bouchon sur une surface propre.
- Verser le mélange dans le réservoir avec précaution. Éviter de répandre du carburant.
- Avant de remettre le bouchon en place, nettoyer et inspecter son joint.
- Remettre immédiatement le bouchon en place et le serrer à la main en le tournant vers la droite. Essuyer tout carburant répandu.
- S'éloigner d'au moins 9 m (30 pi) du point d'approvisionnement avant de lancer le moteur.

NOTE : Il est normal qu'un moteur neuf dégage de la fumée après la première utilisation.

UTILISATION

AVERTISSEMENT :

Toujours arrêter le moteur avant de faire le plein de carburant. Ne jamais retirer le bouchon du réservoir d'essence lorsque le moteur tourne ou est chaud. S'assurer que l'unité repose sur une surface plane, à niveau et de remplir seulement à l'extérieur. Si le moteur est chaud, laisser refroidir l'unité pendant au moins cinq (5) minutes avant d'ajouter de l'essence. Remettre immédiatement le bouchon du réservoir d'essence et le serrer fermement. S'éloigner d'au moins 9 m (30 pi) du point de ravitaillement avant de lancer le moteur. Ne pas fumer, et rester à l'écart des flammes vives et des étincelles ! Ne pas respecter ces instructions représente un risque d'incendie et de blessures graves.

DÉMARRAGE ET ARRÊT

Voir les figures 8 à 10.

Pour le démarrage, le soufflante doit être posé sur un sol nu et plat.

- Appuyer lentement 10 fois sur la poire d'amorçage.

NOTE : Après la 10e pression, on devrait apercevoir du carburant dans la poire d'amorçage. Sinon, continuer à presser sur l'amorceur jusqu'à voir du carburant dans la poire.

- Désengager le régulateur de vitesse, tirer vers le haut son levier à fond. (voie de IDLE).
- Mettre le volet de départ en position A d'étranglement **DÉMARRAGE** (complètement ouvert).
- Tirer sur le poignée du lanceur et le cordon jusqu'à ce que le moteur essaie de démarrer. Ne pas tirer le cordon plus de cinq (5) fois.
- Mettre le levier du volet de départ en position **B RUN** (marche).
- Tirer sur le poignée du lanceur et le cordon du démarreur jusqu'à ce que le moteur démarre. Ne pas tirer le cordon plus de six (6) fois.

NOTE : Si le moteur ne démarre pas, mettre le levier d'étrangleur en position « **DÉMARRAGE** » (Complètement ouvert) et répéter les étapes suivantes.

- Laisser le moteur tourner pendant 20 secondes avant d'utiliser le sopladora.

ARRÊT DU MOTEUR :

- Pour arrêter le moteur, mettre le commutateur STOP dans la position d'arrêt « O ».

CHAUD RELANCER DU MOTOR :

- Mettre le volet de départ en position **B RUN**.
- Poussez vers le bas le levier de régulateur de vitesse, jusqu'à ce que le régime désiré soit atteint.
- Tirer sur le poignée du lanceur et le cordon du démarreur jusqu'à ce que le moteur démarre.

EN CAS DE BESOIN D'ASSISTANCE DÉMARRAGE AVEC CE PRODUIT :

Ne pas le retourner au magasin de détail où il a été acheté. Pour toute question, appeler notre service après-vente.

Si necesita asistencia llame al: 1-800-860-4050.

FUNCIONAMIENTO DE LA SOPLADORA

Vea la figura 11.

AVERTISSEMENT :

Le boîtier du moteur peut devenir chaud pendant le fonctionnement. Ne pas toucher et ne pas placer aucune partie du corps ou des vêtements sur le boîtier du moteur, les événements entourant le silencieux ou le pot d'échappement lors du démarrage, du fonctionnement ou du transport du souffleur. Arrêter le moteur et le laisser refroidir pendant au moins 15 minutes avant de ranger le souffleur et éviter tout contact avec les matériaux combustibles lors du rangement. Tout contact avec le boîtier du moteur, des événements du silencieux ou les gaz d'échappement peut provoquer des brûlures et enflammer les matériaux combustibles.

AVIS :

Toujours faire fonctionner le produit conformément à toutes lois et tous les règlements en vigueur.

- Passer un bras dans l'une des sangles, placer la sangle sur l'épaule et faire de même avec l'autre bras. Régler la longueur des sangles de manière à obtenir une position confortable. Voir la section « **Réglage des sangles du harnais** », plus haut dans ce manuel. Enlever ensuite l'unité pour le démarrage.
- Mettre la soufflante en marche. Voir « **Démarrage et arrêt** », plus haut dans ce manuel.
- Remettre la soufflante. L'unité doit être utilisée sur votre côté droit.
- Pour éviter d'éparpiller les débris, souffler autour des bords des tas. Ne jamais souffler directement vers le centre d'un tas.
- N'utiliser les outils motorisés qu'à des heures raisonnables – pas très tôt le matin ou très tard le soir, afin de ne pas déranger les voisins. Se conformer aux heures indiquées dans les réglementations locales.
- Pour réduire le niveau sonore, limiter le nombre d'outils motorisés utilisés en même temps.
- Utiliser la soufflante à la vitesse la plus basse permettant d'effectuer le travail.
- Vérifier le matériel avant de l'utiliser, en particulier l'échappement, l'entrée d'air et les filtres à air.
- Utilisez des râtaux et pelles pour séparer les débris avant de les souffler. Dans un environnement poussiéreux, humidifier légèrement les surfaces si de l'eau est disponible.
- Conserver l'eau en utilisant des soufflantes motorisées au lieu de tuyaux d'arrosage, pour nombre de travaux de nettoyage tels que celui des gouttières, moustiquaires, patios, grills, porches et jardins.
- Prêter attention aux enfants, animaux, fenêtres ouvertes ou véhicules fraîchement lavés et souffler les débris en direction opposée.
- Utiliser l'embout éventail à souffler l'air près du sol.
- Après utilisation de la soufflante ou de tout autre équipement, NETTOYER! Éliminer les débris selon une méthode appropriée.

UTILISATION

- Después de utilizar sopladores o cualquier otro equipo, ¡LIMPIE! Deseche de forma adecuada los desechos.

AVERTISSEMENT :

Ne placez pas le souffleur au-dessus ou près de débris en liberté. Les débris peuvent être aspirés dans l'évent d'entrée du souffleur ce qui peut éviter des lésions personnelles graves et engendrer des dommages à l'unité.

RÉGULATEUR DE VITESSE

Voir la figure 12.

Le régulateur de vitesse permet d'utiliser la soufflante sans maintenir le doigt sur la gâchette.

Pour engager le régulateur de vitesse :

- Poussez vers le bas le levier de régulateur de vitesse, jusqu'à ce que le régime désiré soit atteint.
- Pour désengager le régulateur de vitesse, tirez vers le haut son levier à fond.

ENTRETIEN

L'entretien normal, le remplacement ou la réparation des dispositifs du système antipollution doit être fait par un magasin de réparation ou un technicien qualifié possédant les pièces d'origine ou équivalentes. La garantie et les rappels pour réparations peuvent être faits par un centre de réparations autorisé; pour obtenir de l'aide, veuillez communiquer avec le service à la clientèle.

AVERTISSEMENT :

Avant d'inspecter, nettoyer ou entretenir l'équipement, arrêter le moteur, attendre l'arrêt complet de toutes les pièces en mouvement, déconnecter le fil de la bougie et l'écarter de cette dernière. Le non-respect de ces instructions peut entraîner des blessures graves ou des dégâts matériels.

AVERTISSEMENT :

Toujours porter une protection oculaire avec écrans latéraux certifiée conforme à la norme ANSI Z87.1 ainsi qu'une protection auditive. Si cette précaution n'est pas prise, des objets peuvent être projetés dans les yeux et causer des lésions graves.

AVERTISSEMENT :

Utiliser exclusivement des pièces recommandées ou équivalentes pour les réparations. L'usage de toute autre pièce pourrait créer une situation dangereuse ou endommager l'outil.

AVIS :

Inspecter périodiquement au complet le produit afin de s'assurer qu'aucune pièce (vis, écrous, boulons, chapeaux, etc.) n'est endommagée, manquante ou desserrée. Serrer solidement toutes les pièces de fixation et les chapeaux et ne pas utiliser le produit tant que toutes les pièces manquantes ou endommagées n'ont pas été remplacées. Veuillez communiquer avec le service à la clientèle ou un centre de réparations qualifié pour obtenir de l'aide.

ENTRETIEN GÉNÉRAL

Éviter d'utiliser des solvants pour le nettoyage des pièces en plastique. La plupart des matières plastiques peuvent être endommagées par divers types de solvants du commerce. Utiliser un chiffon propre pour éliminer la saleté, la poussière, le lubrifiant, la graisse, etc.

AVERTISSEMENT :

Ne jamais laisser de liquides tels que le fluide de freins, l'essence, les produits à base de pétrole, les lubrifiants pénétrants, etc., entrer en contact avec les pièces en plastique. Les produits chimiques peuvent endommager, affaiblir ou détruire le plastique, ce qui peut entraîner des blessures graves.

BOUGIE

Ce moteur utilise le Champion RCJ4 ou une bougie d'allumage équivalente dont l'écartement des pointes d'électrode est de 0,64 mm (0,025 po). Remplacer la bougie tous les ans ou plus fréquemment si nécessaires. Utiliser recommandées ou équivalentes la même bougie.

AVIS :

Veiller à ne pas fausser le filetage de la bougie. Ceci endommagerait sérieusement l'outil.

NETTOYAGE DE L'ORIFICE D'ÉCHAPPEMENT

AVIS :

Le pare-étincelles sur ce produit n'a pas été évalué par le Service forestier des États-Unis et ne peut pas être utilisé sur des terrains forestiers des États-Unis. De plus, les utilisateurs du produit doivent respecter les réglementations locales et gouvernementales de lutte contre l'incendie. Consulter les autorités appropriées. Communiquer avec le service à la clientèle ou un centre de réparations qualifié pour acheter un pare-étincelles de rechange.

ENTRETIEN

NOTE : Suivant le type de carburant utilisé, le type et la quantité de lubrifiant et / ou les conditions de travail, l'orifice d'échappement et le silencieux peuvent se calaminer. Si un outil motorisé semble avoir perdu de la puissance, cette calamine doit être éliminée pour restaurer le fonctionnement normal. Il est vivement recommandé de confier ce travail à un technicien qualifié.

Le pare-étincelles doit être nettoyé ou remplacé toutes les 50 heures de fonctionnement ou tous les ans pour assurer le fonctionnement correct de l'outil. L'emplacement du pare-étincelles diffère suivant le modèle. Contacter le concessionnaire le plus proche pour connaître l'emplacement du pare-étincelles sur le modèle utilisé.

AVERTISSEMENT :

Ne jamais utiliser la soufflante sans un silencieux équipé avec le pare-étincelles. Ne pas prendre cette précaution peut causer un incendie, entraînant des blessures graves.

BOUCHON DU RÉSERVOIR, RÉSERVOIR, ET CONDUITES

AVERTISSEMENT :

S'assurer de l'absence de fuites de carburant, réservoir, ou conduite qui sont un risque d'incendie. Un bouchon de carburant qui fuit pose un risque d'incendie et doit être remplacé immédiatement. Toutes les fuites doivent être éliminées avant d'utiliser le produit. Ne pas prendre cette précaution peut causer un incendie, entraînant des blessures graves.

Le bouchon du réservoir de carburant contient un filtre et un clapet antiretour non réparables. Un filtre à carburant colmaté nuit au bon fonctionnement du moteur. Si le fonctionnement du moteur s'améliore lorsque le bouchon est desserré, le clapet antiretour peut être défectueux ou le filtre colmaté. Au besoin, remplacer le bouchon de carburant.

REMISAGE LE PRODUIT

- Nettoyer soigneusement le produit. La remise dans un endroit bien aéré, inaccessible aux enfants. La tenir à l'écart de produits corrosifs, tels que les produits chimiques de jardinage et le sel de dégivrage.
- Se conformer à toutes les réglementations locales et gouvernementales concernant la sécurité de la manipulation et de l'entreposage de l'essence.

Remisage 1 mois ou plus :

- Vider complètement le réservoir de carburant dans un bidon ou jerrycan approuvé pour l'essence. Laisser le moteur tourner jusqu'à ce qu'il cale.

FONCTIONNEMENT DU MOTEUR À HAUTE ALTITUDE

Ce moteur est configuré en usine pour fonctionner à une altitude inférieure à 609,6 m (2 000 pi). Le moteur doit être reconfiguré s'il doit fonctionner à plus de 609,6 m (2 000 pi) d'altitude. Faire fonctionner le moteur n'ayant pas la configuration requise selon une altitude donnée représente un risque d'augmentation des émissions, de diminution de la consommation d'essence, d'appauvrir la performance en plus de causer des dommages permanents. Les moteurs configurés pour fonctionner à haute altitude ne peuvent pas être opérés selon des conditions d'altitudes habituelles. Un centre de réparations qualifié devrait pour assurer la bonne configuration du moteur selon l'endroit d'utilisation.

CE PRODUIT A ÉTÉ ÉQUIPÉ EN USINE D'UN CONVERTISSEUR CATALYTIQUE

Félicitations ! Vous venez d'investir dans la protection de l'environnement. Pour maintenir le niveau d'émissions original de ce produit, voir la section Entretien ci-dessous.

PROGRAMME D'ENTRETIEN

Pièce d'entretien	Inspecter pour dommage avant chaque utilisation	Nettoyer toutes le 5 heures de fonctionnement	Remplacer toutes les 25 heures ou chaque année	Reemplacelo cada 50 heures
* ENSEMBLE CATALYTIQUE DU SILENCIEUX				X
ÉCRAN PARE-ÉTINCELLES				X
* CARBURATEUR				
inclut :				
Joints	X			
* RÉSERVOIR DE CARBURANT				
inclut :				
Conduites de carburant	X			
Bouchon du réservoir de carburant	X			
Filtre à carburant			X	
* ALLUMAGE				
inclut :				
Bougie			X	
*AVIS: L'UTILISATION DE DISPOSITIFS ANTIPOLLUTION AUTRES QUE CEUX CONÇUS POUR CET OUTIL REPRÉSENTE UNE VIOLATION DE LA LOI FÉDÉRALE.				

DÉPANNAGE

Problème	Cause Possible	Solution
Le moteur ne démarre pas.	<p>Pas d'étincelle.</p> <p>Pas de carburant.</p> <p>Moteur noyé.</p> <p>Le cordon du lanceur est plus difficile à tirer que lorsque l'outil était neuf.</p>	<p>Vérifier la bougie. Retirer la bougie. Débrancher le fil de bougie. Remettre le capuchon sur la bougie et poser cette dernière sur le cylindre métallique. Tirer le cordon du démarreur et regarder si une étincelle se produit à l'électrode de la bougie. En l'absence d'étincelle, répéter le test avec une bougie neuve.</p> <p>Actionner la poire d'amorçage jusqu'à ce qu'elle soit remplie de carburant. Si elle ne se remplit pas, le système d'alimentation en carburant est obstrué. Contacter un centre de réparations. Si la poire se remplit, il se peut que le moteur soit noyé (voir le paragraphe suivant).</p> <p>Permettez à l'unité de se reposer pendant 30 minutes. Placez la bobine dans la position de RUN. Tenez la commande de puissance à la pleine commande de puissance et tirez au début. Si l'unité ne commence pas à moins de 15 tractions, remplacez la bougie et l'essai d'allumage remettant en marche le moteur.</p> <p>Contactez un centre de réparations qualifié.</p>
Le moteur démarre, mais n'accélère pas.	Le moteur prend environ 3 minutes pour se réchauffer.	Laisser le moteur se réchauffer complètement. Si le moteur n'accélère pas après trois minutes, contacter un centre de réparations qualifié.
Le moteur démarre, mais ne tourne qu'à haut régime, le volet de départ étant demi ouvert.	Le carburateur nécessite un réglage.	Contactez un centre de réparations qualifié.
Le moteur ne parvient pas au régime maximum et dégage trop de fumée.	<p>Vérifier le mélange lubrifiant / carburant.</p> <p>Filtre à air encrassé.</p>	<p>Utiliser un mélange de carburant et d'lubrifiant 2 temps correct et frais.</p> <p>Contactez un centre de réparations qualifié.</p>

Si le problème persiste après avoir essayé les solutions ci-dessus, communiquer avec le service à la clientèle ou un centre de réparations qualifié le plus proche pour obtenir de l'aide.

AVIS :

Le propriétaire de cet équipement est tenu d'effectuer les entretiens requis indiqués dans la section *Entretien*. Il est recommandé de conserver tous les reçus d'entretien de votre équipement. La négligence ou l'oubli de procéder à l'entretien requis représente un risque d'augmentation des émissions, de diminuer le rendement énergétique, de nuire à la performance, créer des bris irréparables du moteur et de annuleront la garantie.



NOUS APPELER D'ABORD

Pour toute question concernant l'utilisation ou l'entretien utiliser ce produit, appeler le service d'assistance téléphonique Ryobi®!

Le taille-bordures a été entièrement testé avant expédition pour assurer la complète satisfaction de l'utilisateur.

GARANTIE

ÉNONCÉ DE LA GARANTIE LIMITÉE

Techtronic Industries North America, Inc., garantit à l'acheteur original que ce produit RYOBI™ est exempt de tous vices de matériaux ou de fabrication et s'engage à réparer ou remplacer gratuitement, à son choix, tout produit s'avérant défectueux au cours des périodes indiquées ci-dessous, à compter de la date d'achat.

- Trois ans sur les produits utilisés par des particuliers ;
- 30 jours sur les produits utilisés à toutes autres fins, telles que les travaux commerciaux et la location.

Cette garantie n'est offerte qu'à l'acheteur original et entre en vigueur à la date de l'achat original.

Toute pièce de ce produit jugée, après évaluation raisonnable par Techtronic Industries North America, Inc., comme présentant des vices de matériaux ou de fabrication, sera réparée ou remplacée, sans facturation pour pièces ou main d'oeuvre par un centre de réparations agréé pour produits d'extérieur de marque RYOBI™ (centre de réparations Ryobi agréé).

Le produit, y compris toutes les pièces défectueuses devront être retournés à un centre de réparations Ryobi agréé, avant expiration de la période de garantie. Les frais d'expédition au centre de réparations pour les travaux sous garantie et de retour au propriétaire du produit seront assumés par le propriétaire. En ce qui concerne les réclamations en garantie, la responsabilité Techtronic Industries North America, Inc., se limitera à la réparation ou au remplacement des produits défectueux et aucune revendication de rupture de garantie ne pourra causer l'annulation ou la résiliation du contrat de vente d'un produit d'extérieur RYOBI™ quel qu'il soit. Une preuve d'achat sera exigée par le centre de réparation, afin de valider toute réclamation au titre de la garantie. Toutes les réparations sous garantie devront être effectuées par un centre de réparations agréé.

La garantie sur tout produit d'extérieur RYOBI™ utilisé pour la location, des travaux commerciaux ou tout autre usage lucratif, sera limitée à trente (30) jours, à compter de la date d'achat au détail original.

Cette garantie ne couvre pas les produits ayant fait l'objet d'un usage abusif ou négligent, d'un manque d'entretien, ayant été impliqués dans un accident ou employé de façon contraire aux instructions du manuel d'utilisation. Cette garantie ne couvre ni les dommages aux produits résultant d'un manque d'entretien, ni les produits qui ont été altérés ou modifiés. La garantie exclut les réparations rendues nécessaires par l'usure normale ou l'utilisation de pièces et accessoires incompatibles avec le produit d'extérieur RYOBI™ ou nuisibles à son bon fonctionnement, ses performances ou sa durabilité. En outre, cette garanti exclut :

A. Les réglages – Bougies, carburateur, réglages du carburateur, allumage, filtres

B. Les articles consommables – Boutons d'avance par choc, bobines externes, lignes de coupe, bobines internes, poulies et cordons de lanceur, courroies d'entraînement, dents, rondelles en feutre, axes d'attelage, lames de paillage, ventilateur de soufflante, tubes de soufflage et d'aspiration, sacs à débris, guides, chaînes de scie

Techtronic Industries North America, Inc., se réserve le droit d'apporter des modifications ou améliorations à tout produit extérieur RYOBI™, sans obligation de modifier les produits fabriqués antérieurement.

LA DURÉE DE TOUTES LES GARANTIES IMPLICITES NE SAURAIT EN AUCUN CAS EXCÉDER LA PÉRIODE DE GARANTIE DÉCLARÉE. PAR CONSÉQUENT, TOUTES LES GARANTIES IMPLICITES, Y COMPRIS LES GARANTIES DE VALEUR MARCHANDE OU D'ADÉQUATION À UN USAGE PARTICULIER OU AUTRES SERONT INVALIDÉES À L'EXPIRATION DE LA PÉRIODE DE GARANTIE APPROPRIÉE DE TROIS ANS OU TRENTE JOURS. LES OBLIGATIONS DE TECHTRONIC INDUSTRIES NORTH AMERICA, INC., DANS LE CADRE DE CETTE GARANTIE SE LIMITENT EXCLUSIVEMENT À LA RÉPARATION OU AU REMPLACEMENT DES PIÈCES DÉFECTUEUSES ET TECHTRONIC INDUSTRIES NORTH AMERICA, INC. N'ASSUME OU N'AUTORISE QUICONQUE À ASSUMER QUELQUE AUTRE OBLIGATION QUE CE SOIT. CERTAINS ÉTATS ET PROVINCES NE PERMETTANT PAS DE LIMITATION DE DURÉE DES GARANTIES IMPLICITES, LES RESTRICTIONS CI-DESSOUS PEUVENT NE PAS ÊTRE APPLICABLES. TECHTRONIC INDUSTRIES NORTH AMERICA, INC., DÉCLINE TOUTE RESPONSABILITÉ EN CE QUI CONCERNE LES DOMMAGES DIRECTS, INDIRECTS OU AUTRES, Y COMPRIS, MAIS SANS S'Y LIMITER, LES FRAIS DE RETOUR DE PRODUITS À UN CENTRE DE RÉPARATION RYOBI AGRÉÉ ET DE RENVOI AU PROPRIÉTAIRE, DE DÉPLACEMENT D'UN TECHNICIEN, DE TÉLÉPHONE OU TÉLÉGRAMME, DE LOCATION D'UN PRODUIT SIMILAIRE PENDANT LA DURÉE DES RÉPARATIONS SOUS GARANTIE, DE DÉPLACEMENT, DE PERTES OU DOMMAGES À DES BIENS PERSONNELS, DE MANQUE À GAGNER, DE PERTE D'USAGE DU PRODUIT, DE PERTE DE TEMPS OU DE DÉRANGEMENT. CERTAINS ÉTATS ET PROVINCES NE PERMETTANT L'EXCLUSION OU LA LIMITATION DES DOMMAGES DIRECTS OU INDIRECTS, LES RESTRICTIONS CI-DESSOUS PEUVENT NE PAS ÊTRE APPLICABLES.

Cette garantie donne au consommateur des droits spécifiques, et celui-ci peut bénéficier d'autres droits, qui varient selon les états ou provinces.

Cette garantie couvre tous les produits d'extérieur RYOBI™ fabriqués par Techtronic Industries North America, Inc., vendus aux États-Unis et au Canada.

Pour obtenir l'adresse du centre de réparations Ryobi agréé le plus proche, appeler le 1-800-860-4050.

REGLAS DE SEGURIDAD GENERALES

ADVERTENCIA:

Lea y comprenda todas las instrucciones. El incumplimiento de todas las instrucciones siguientes puede resultar en descargas eléctricas, incendio o envenenamiento por monóxido de carbono, lo cual puede causar la muerte o lesiones graves.

- No permita que utilicen esta unidad niños ni personas carentes de la debida instrucción para su manejo.
- No enciende o haga funcionar el motor en un espacio confinado, de un edificio, abre cerca ventanas, o en otros área sin ventilación donde se puedan recolectar las emanaciones de monóxido de carbono. El monóxido de carbono, un gas incoloro, inodoro y sumamente peligroso puede causar la pérdida de la conciencia o la muerte.
- Siempre póngase la protección ocular con protección lateral marcada conforme al ANSI Z87.1 junto con protección auditiva. Es posible que se requiera una protección para la cabeza, según el tipo de accesorio o según se describe en el Manual del operador de éste. La inobservancia de esta advertencia puede permitir que los objetos lanzados hacia los ojos y otros provocar lesiones graves.
- Mantenga a todas las personas presentes, niños y animales por lo menos a 15 metros (50 pies) de distancia.
- Póngase pantalones, mangas largas, botas y guantes gruesos. No se ponga ropa holgada, pantalones cortos, sandales, joyería de ningún tipo ni ande descalzo.
- Para disminuir el riesgo de lesiones debido a la atracción de objetos hacia las piezas rotatorias, evite ponerse ropas holgadas, bufandas, cadenas para el cuello y objetos parecidos.
- Recójase el cabello largo, de manera que le quede arriba del nivel de los hombros para evitar que se enrede en las piezas rotatorias.
- No opere esta unidad cuando esté cansado, enfermo, alterado o bajo los efectos de alcohol, drogas o medicamentos.
- No utilice este producto si no hay luz suficiente.
- Mantenga todas las partes del cuerpo alejadas de toda pieza móvil y superficie caliente de la unidad.
- En condiciones polvorientas use una mascarilla de filtro para reducir el riesgo de lesiones producidas por la aspiración del polvo.

- Revise el área de trabajo cada vez antes de utilizar esta herramienta. Retire todos los objetos como piedras, vidrio roto, clavos, alambre o cuerda que puedan salir disparados o enredarse en la máquina.
- Mantenga los pies bien afirmados y el equilibrio. No trate de alcanzar demasiado lejos. Al tratar de hacerlo puede perder el equilibrio o exponerse al contacto con superficies calientes.
- Antes de guardar la unidad, deje que se enfríe el motor.
- Vacíe el tanque de combustible en un recipiente aprobado para gasolina y evite mover la unidad antes de transportarla en un vehículo.
- Guarde el combustible en un recipiente aprobado para gasolina.
- Sólo utilice piezas de repuesto y accesorios el fabricante recomendados o equivalentes. La inobservancia de esta advertencia puede causar un desempeño ineficiente de la unidad y posibles lesiones.
- Mantenga la unidad según las instrucciones de mantenimiento señaladas en este Manual del Operador.
- Inspeccione cada vez la unidad antes de usarla para ver si tiene tornillos flojos, fugas de combustible, etc. Reemplace toda pieza dañada.
- No lo utilice si se encuentra en una escalera, techo, árbol u otro soporte inestable. Tener los pies apoyados sobre una superficie sólida permite tener un mejor control de la sopladora ante situaciones inesperadas.

SERVICIO

- Antes de limpiar, reparar o inspeccionar la máquina, apague el motor y cerciórese de que se hayan detenido todas las partes en movimiento. Desconecte el cable de la bujía, y mantenga dicho cable alejado de la bujía para evitar el arranque de la unidad.
- Recomendamos que lleve la sopladora a un centro de servicio calificado para reparaciones, ya que todo servicio realizado por personas sin experiencia o calificación puede dañar la sopladora, causar lesiones al usuario crear condiciones de inseguridad, y anular la garantía.
- Al dar servicio a este producto, sólo utilice piezas de repuesto recomendados o equivalentes. El empleo de piezas diferentes puede significar un riesgo de lesiones serias al usuario, o de daños físicos al producto.

REGLAS DE SEGURIDAD ESPECÍFICAS




- Para reducir el riesgo de pérdida de oído causada por niveles de ruido elevados, se requiere ponerse protección auditiva.
- Para reducir el riesgo de lesiones causadas por tocar piezas giratorias, detenga el motor antes de montar o desmontar accesorios. No la use sin todas la(s) protección(es) montada(s) y tubos en su lugar. Siempre desconecte la bujía antes de efectuar tareas de mantenimiento o de tocar piezas móviles.
- Las hojas giratorias del impulsor pueden causar graves lesiones. No introduzca las manos ni ningún objeto en la salida de aire del alojamiento del soplador ni en los tubos del soplador.
- No apunte la boquilla de la sopladora hacia personas o mascotas.
- Nunca utilice la sopladora sin los tubos instalados.
- Nunca coloque objetos dentro de los tubos de la sopladora.
- Nunca utilice el soplador cerca del fuego, chimeneas, cenizas al rojo vivo, asadores, etc. que pudieran extender el fuego.
- Nunca coloque el soplador con el motor en marcha sobre ninguna superficie, salvo que sea rígida y esté limpia. La entrada de aire puede recoger gravilla, arena y otros escombros y arrojarlos al operador o a personas que se encuentren cerca del lugar de trabajo y causar lesiones de gravedad.
- Nunca utilice la unidad para rociar productos químicos, fertilizantes, sustancias tóxicas ni ningún otro producto químico peligroso.
- Siempre sostenga la mango de control del acelerador en la mano derecha. Consulte el apartado *Funcionamiento*, más adelante en este manual, donde encontrará información adicional.
- Este producto está diseñado para uso poco frecuente por parte de propietarios y otros usuarios ocasionales para aplicaciones generales como soplar hojas y hierba cortada, etc. No es para uso prolongado. Los períodos prolongados de manejo de la unidad pueden causar problemas circulatorios en las manos del operador debido a la vibración. Para tal uso puede convenir utilizar una sierra dotada de características de antivibración.
- Para reducir el riesgo de incendio o de lesiones por quemadura, maneje con cuidado el combustible. Es sumamente inflamable.
- No fume mientras esté mezclando el combustible o reabasteciendo el tanque.
- Mezcle y guarde el combustible en un recipiente aprobado para gasolina.
- Mezcle el combustible al aire libre, donde no haya chispas ni llamas.
- Busque suelo raso para depositar la unidad, apague el motor, y permita que se enfríe antes de reabastecerlo de combustible.
- Afloje la tapa del tanque de combustible para aliviar la presión y para evitar que se escape combustible por la tapa.
- Después de reabastecer de combustible la unidad ponga la tapa y apriétela firmemente.
- Limpie todo el combustible que se haya derramado de la unidad. Aléjese por lo menos 9 metros (30 pies) del sitio de reabastecimiento de combustible antes de encender el motor.
- Nunca intente en ninguna circunstancia eliminar el combustible derramado quemándolo.
- Guarde la unidad en un lugar frío y bien ventilado, a una distancia segura de todo equipo generador de chispas o llamas.
- Guarde el combustible en recipientes diseñados específicamente para tal fin.
- Solamente reabastezca de combustible la unidad al aire libre y no fume durante el reabastecimiento.
- Reabastezca de combustible la unidad antes de arrancar el motor. Nunca retire la tapa del tanque de combustible ni lo reabastezca mientras esté encendida o caliente la unidad.
- Si se derrama combustible, no intente arrancar el motor; aleje la máquina del área del derramamiento y evite causar una fuente de ignición hasta que se disipen los vapores del combustible.
- Vuelva a colocar firmemente la tapa del tanque de combustible y la del recipiente.
- Al drenar el tanque de combustible, utilice un recipiente aprobado para combustible y hágalo en un lugar bien ventilado.
- Guarde estas instrucciones. Consúltelas frecuentemente y utilícelas para instruir a otros usuarios. Si presta a alguien esta herramienta, facilítele también las instrucciones.

REABASTECIMIENTO DE COMBUSTIBLE












- El combustible es sumamente inflamable. Tenga precaución al utilizar la unidad con el fin de disminuir el riesgo de lesiones serias.
- Antes de transportar la unidad en un vehículo, vacíe el tanque de combustible e inmovilícela.

SÍMBOLOS

Las siguientes palabras de señalización y sus significados tienen el objeto de explicar los niveles de riesgo relacionados con este producto.

SÍMBOLO	SEÑAL	SIGNIFICADO
	PELIGRO:	Indica una situación peligrosa, la cual, si no se evita, causará la muerte o lesiones serias.
	ADVERTENCIA:	Indica una situación peligrosa, la cual, si no se evita, podría causar la muerte o lesiones serias.
	PRECAUCIÓN:	Indica una situación peligrosa, la cual, si no se evita, podría causar lesiones menores o leves.
	AVISO:	(Sin el símbolo de alerta de seguridad) Indica la información que se considera importante, pero no relacionada con lesiones potenciales (por ej. en relación a daños a la propiedad).

Es posible que se empleen en este producto algunos de los siguientes símbolos. Le suplicamos estudiarlos y aprender su significado. Una correcta interpretación de estos símbolos le permitirá utilizar mejor y de manera más segura la producto.

SÍMBOLO	NOMBRE	DENOMINACIÓN / EXPLICACIÓN
	Alerta de seguridad	Indica un peligro posible de lesiones personales.
	Lea manual del operador	Para reducir el riesgo de lesiones, el usuario debe leer y comprender el manual del operador antes de usar este producto.
	Póngase protección para los ojos y los oídos	Siempre póngase protección ocular con la marca de cumplimiento de la norma ANSI Z87.1 junto con protección auditiva.
	Hojas del impulsor	Contacto con las hojas giratorias del impulsor pueden causar graves lesiones.
	Tubos de la sopladora/aspiradora	No utilice la unidad sin los tubos montados en su lugar.
	Cabello largo	Riesgo de succión del cabello largo en la entrada de aire.
	Ropa holgada	Riesgo de succión de la ropa holgada en la entrada de aire.
	Mantenga alejadas a las personas presentes	Mantenga a los circunstantes a una distancia mínima de 15 m (50 pies).
	Superficie caliente	Para reducir el riesgo de lesiones corporales o daños materiales evite tocar toda superficie caliente.
	Rebote	Cualquier objeto lanzado puede rebotar y producir lesiones personales o daños físicos.
	Gasolina y lubricante	Use gasolina sin plomo destinada para vehículos con un octanaje de 87 [(R + M) / 2] o más. Este producto está accionado por un motor de dos tiempos y requiere el premezclado de gasolina y lubricante para motor de dos tiempos.

CARACTERÍSTICAS

ESPECIFICACIONES DEL PRODUCTO

Cilindrada del motor42 cc
Peso8,16 kg (18 lb)

Velocidad del aire:
MPH.....185
Pies cúbicos/min.510

FAMILIARÍCESE CON LA SOPLADORA

Vea las figuras 1 y 2.

Para usar este producto con la debida seguridad se debe comprender la información indicada en la herramienta misma y en este manual, y se debe comprender también el trabajo que intenta realizar. Antes de usar este producto, familiarícese con todas las características de funcionamiento y normas de seguridad del mismo.

ARNÉS AJUSTABLE Y CORREAS DE LA CINTURA

La sopladora viene con un arnés completamente ajustable y correas para la cintura para mayor comodidad y facilidad de manejo.

MANGO AJUSTABLE DE CONTROL DEL ACELERADOR

El mango ajustable de control del acelerador se ajusta fácilmente aflojando la perilla del mismo para posicionar el mango en la ubicación deseada.

CONTROL DE CRUCERO

La característica de control de crucero permite al usuario utilizar la sopladora sin tener oprimido la acelerador.

MOTOR

La sopladora dispone de un potente motor de 42 cc (centímetros cúb.) con suficiente potencia para manejar hasta los trabajos más pesados.

ESPALDAR DE MALLA

La sopladora viene equipada de un espaldar de malla, el cual contribuye a la comodidad del usuario.

GATILLO DEL ACELERADOR

La sopladora puede utilizarse a cualquier velocidad entre marcha lenta y máxima velocidad.

ARMADO

DESEMPAQUETADO

Este producto requiere armarse.

- Extraiga cuidadosamente de la caja la producto y los accesorios. Asegúrese de que estén presentes todos los artículos enumerados en la lista de empaquetado.

ADVERTENCIA:

No utilice este producto si alguna pieza incluida en la lista de contenido ya está ensamblada al producto cuando lo desempaqueta. El fabricante no ensambla las piezas de esta lista en el producto. Éstas deben ser instaladas por el usuario. El uso de un producto que puede haber sido ensamblado de forma inadecuada podría causar lesiones personales graves.

- Inspeccione cuidadosamente la producto para asegurarse de que no haya sufrido ninguna rotura o daño durante el transporte.
- No deseche el material de empaquetado hasta que haya inspeccionado cuidadosamente la producto y la haya utilizado satisfactoriamente.
- Si hay piezas dañadas o faltantes, le suplicamos llamar al 1-800-860-4050, donde le brindaremos asistencia.

LISTA DE EMPAQUETADO

Sopladora de mochila
Tubo flexible
Tornillo del mango ajustable de control del acelerador
Tubo recto
Boquilla
Grande abrazadera del tubo (superior)
Pequeña abrazadera del tubo (inferior)
Lubricante para motor de dos tiempos
Herramienta de montaje
Manual del operador

NOTA: Lea y despegue todas las etiquetas colgadas y guárdelas con el manual del operador.

ADVERTENCIA:

Si hay piezas dañadas o faltantes, no utilice este producto sin haber reemplazado todas las piezas. La inobservancia de esta advertencia podría causar lesiones serias.

ARMADO

ADVERTENCIA:

No intente modificar este producto ni hacer accesorios no recomendados para la misma. Cualquier alteración o modificación constituye maltrato el cual puede causar una condición peligrosa, y como consecuencia posibles lesiones corporales serias.

ADVERTENCIA:

Para evitar un arranque accidental que podría causar lesiones corporales graves, siempre desconecte el cable de la bujía del motor de la bujía misma al ensamblar las piezas.

MONTAJE DE LOS TUBOS DE LA SOPLADORA

Vea las figuras 3 a 5.

- Coloque una abrazadera de tubo grande en la ranura exterior del superior (más ancho) fin de tubo flexible.
- Conecte fin superior de tubo flexible en alojamiento de la sopladora deslizando sobre la salida de aire. La acostillas realizadas más cercana a la salida de aire debe quedar firmemente en la ranura dentro de los tubo flexible cuando los tubo flexible son instalado correctamente. Apriete la abrazadera del tubo superior con la herramienta de montaje.
- Coloque una abrazadera del tubo en el otro extremo del tubo flexible. Oprima el tubo flexible en el tubo del mango del control del acelerador Apriete la abrazadera del tubo inferior con la herramienta de montaje.

NOTA: Puede ajustarse la posición del mango de control del acelerador para comodidad después de que el operador se coloca la sopladora en la espalda.

- Una el tubo recto y la boquilla; para ello, alinee las orejetas realizadas de aseguramiento de dicho tubo con las ranuras realizadas de la boquilla, y asegúrelos con un movimiento de torsión hasta que los tubos enganchen y queden bloqueados.

AVISO:

Cuando están ensamblados de manera correcta, es difícil separar los tubos. Si pueden separarse fácilmente girándolos, los tubos no están bloqueados. Siga girándolos para unirlos hasta que enganchen y queden bloqueados. Los tubos que no estén totalmente bloqueados entre sí podrían separarse al usar la sopladora.

- Monte el conectados tubo recto y la boquilla en el tubo del mango de control del acelerador; para ello, alinee las orejetas realizadas de aseguramiento del tubo del mango de control del acelerador con las ranuras realizadas de los tubos inferiores conectados, y asegúrelos con un movimiento de torsión.

NOTA: Revise todas las conexiones con aseguramiento después del funcionamiento inicial para asegurarse de que estén firmemente aseguradas.

PRECAUCIÓN:

Efectúe todos los ajustes de las correas del arnés antes de encender la sopladora para evitar toda posibilidad de lesiones.

AJUSTE DEL ARNÉS

Vea la figura 6.

Las correas deben ajustarse a una posición cómoda antes de arrancar la sopladora.

Para ajustar las correas del arnés:

- La sopladora debe estar en la posición de funcionamiento antes de procederse a ajustar las correas del arnés. Meta el brazo en el arnés, ponga éste en el hombro y luego repita estos movimientos con el otro lado.
- Sujete el correa de ajuste inferior y apriete (tirando de la correa hacia abajo) hasta los sopladora de mochila cómodamente contra la región lumbar
- Luego, agarre las correas superiores de ajuste y aprieta (baje en la correa) hasta los ataques de sopladora de mochila cómodamente en los hombros.
- Una vez que el sopladora se siente muy bien, asegure la correa de pecho.

AJUSTE DEL MANGO DE CONTROL DEL ACELERADOR

Vea la figura 7.

- Afloje el tornillo de fijación para ello, gírelo a la izquierda.
- Mueva el mango de control del acelerador a la posición deseada y apriete el tornillo de aseguramiento para ello, gírelo a la derecha.

FUNCIONAMIENTO

ADVERTENCIA:

No permita que su familiarización con este producto le vuelva descuidado. Tenga presente que un descuido de un instante es suficiente para infligir una lesión grave.

ADVERTENCIA:

Siempre póngase la protección ocular con protección lateral marcada conforme al ANSI Z87.1 junto con protección para los oídos. La inobservancia de esta advertencia puede permitir que los objetos lanzados hacia los ojos y otros provocarle lesiones graves.

FUNCIONAMIENTO

ADVERTENCIA:

No utilice ningún aditamento o accesorio no recomendado por el fabricante de este producto. El empleo de aditamentos o accesorios no recomendados podría causar lesiones serias.

AVISO:

El parachispas que acompaña a este producto no ha sido evaluado por el Servicio Forestal del Departamento de Agricultura de EE. UU. y no se puede usar en terrenos forestales de EE. UU. Además, los usuarios del producto deben cumplir con los reglamentos de prevención de incendios locales, estatales y federales. Póngase en contacto con el servicio al cliente o con un centro de servicio calificado para comprar un parachispas de repuesto.

AVISO:

Antes de cada uso, inspeccione todo el producto para detectar partes dañadas, faltantes o sueltas, como tornillos, tuercas, pernos, tapas, etc. Apriete firmemente todos los sujetadores y las tapas y no accione este producto hasta que todas las partes faltantes o dañadas sean reemplazadas. Llame al contacto con el servicio al cliente o con un centro de servicio calificado para recibir asistencia.

APLICACIONES

Este producto puede emplearse para los fines enumerados abajo:

- Recoger hojas y otros desechos del jardín
- Retirar recortes de hierba, hojas, agujas de pino y otros desechos en terrazas y caminos de entrada

COMBUSTIBLES MEZCLADOS CON ETANOL

AVISO:

No utilice combustibles E15 o E85 con este producto. Esto constituye una violación a la ley federal, dañará la unidad y anulará la garantía. Utilice únicamente gasolina sin plomo que contiene hasta 10% de etanol.

NOTA: Para mejorar el rendimiento cuando se utilizan combustibles oxigenados, se recomienda el uso del lubricante de 2 ciclos Ethanol Shield.

ABASTECIMIENTO Y REABASTECIMIENTO DE COMBUSTIBLE DE LA SOPLADOR

ADVERTENCIA:

La gasolina y sus vapores son altamente inflamables y explosivos. Maneje con cuidado el producto para evitar lesiones personales graves y daños a la propiedad. Manténgalo alejado de fuentes de ignición y llamas abiertas, utilícelo al aire libre únicamente, no fume mientras mezcle la gasolina y el lubricante y limpie los derrames inmediatamente.

MEZCLA DE COMBUSTIBLE

Este producto está accionado por un motor de 2 tiempos y requiere el premezclado de gasolina y lubricante para motor de dos tiempos. Mezcle previamente gasolina sin plomo y lubricante para motores de 2 tiempos en un recipiente y de uso aprobado para gasolina. NO mezcle más producto del que pueda utilizar en un período de 30 días.

Combustible recomendado: El motor está certificado para funcionar con gasolina sin plomo destinada para uso automotor.

NOTA: Le recomendamos que utilice el lubricante de 2 ciclos Ethanol Shield, el lubricante PowerCare para motores de 2 tiempos (189 ml o 472.5 ml [6.4 oz. o 16 oz.]), o cualquier lubricante sintético de alta calidad para motores de 2 tiempos en este producto. Mezcle a razón de 76 ml (2.6 oz.) por galón (EE. UU.).

No use lubricante de uso automotor ni lubricante para motores fuera de borda de 2 tiempos.

LUBRICANTE DE ALTA CALIDAD PARA MOTOR DE DOS TIEMPOS



GASOLINA

1 galón (US)
1 litro

LUBRICANTE

2.6 onzas
20 cc (20 ml)

LLENADO DEL TANQUE

- Limpie la superficie alrededor de la tapa del tanque de combustible para evitar toda contaminación.
- Afloje lentamente la tapa del tanque de combustible girándola hacia la izquierda. Coloque la tapa en una superficie limpia.
- Vierta cuidadosamente mezcla el combustible en el tanque. Evite los derrames.
- Antes de volver a colocar la tapa del tanque de combustible, limpie e inspeccione la junta.
- Vuelva a colocar inmediatamente la tapa del tanque de combustible y apriételo con la mano girándola hacia la derecha. Limpie todo derrame de combustible.
- Aléjese por lo menos 9 metros (30 pies) del sitio de reabastecimiento de combustible antes de encender la unidad.

NOTA: Es normal que salga humo de un motor nuevo después de usarlo por primera vez.

FUNCIONAMIENTO

ADVERTENCIA:

Apague siempre el motor antes de reabastecer combustible. Nunca retire la tapa de combustible ni agregue combustible a una máquina mientras el motor esté en funcionamiento o caliente. Asegúrese de que la unidad esté apoyada en una superficie horizontal y nivelada, y solo agregue combustible al aire libre. Si el motor está caliente, deje que el motor se enfríe durante al menos cinco minutos antes de reabastecer. Vuelva a colocar inmediatamente la tapa del tanque después de reabastecer y apriétela firmemente. Aléjese al menos 9 metros (30 pies) del sitio de carga de combustible antes de poner en marcha el motor. No fume y permanezca lejos de llamas abiertas y chispas! La inobservancia de estas instrucciones podrían provocar un incendio y lesiones personales graves.

ARRANQUE Y APAGADO

Vea las figuras 8 a 10.

Para el arranque debe colocarse la sopladora en una superficie plana y despejada.

- Presione lentamente 10 veces la bomba de cebado.
NOTA: Luego de la 10ª vez que oprima, se debe ver combustible en la bomba de cebado. Si esto no sucede, continúe presionando el cebador hasta que vea combustible en la bomba.
- Para quitar el control de crucero, levante totalmente la palanca de control de crucero (coloque de IDLE).
- Coloque la palanca del anegador en la posición A **ARRANQUE** (anegación máxima).
- Tire enérgicamente mango del arrancador y de la cuerda hasta que el motor intente arrancar. No tire de la cuerda del arrancador más de cinco (5) veces.
- Después ponga la palanca del anegador en la posición B **RUN** (funcionamiento).
- Tire de la mango del arrancador y de la cuerda del arrancador hasta que empiece a funcionar el motor. No tire mango del arrancador y de la cuerda más de seis (6) veces.
NOTA: Si el motor no arranca, vuelva anegador a la posición del **ARRANQUE** y repita los siguientes pasos.
- Permita que el motor funcione 20 segundos antes de usar la soufflatne.

PARA APAGAR EL MOTOR:

- Para apagar el motor, coloque el interruptor de STOP en la posición de apagado "O".

CALIENTE REINICIA EL MOTOR:

- Coloque la palanca del anegador en la posición B **RUN**.
- Presione hacia abajo de la palanca de control de crucero y deténgase en la marca deseada del acelerador.
- Tire de la mango del arrancador y de la cuerda del arrancador hasta que arranque el motor.

SI NECESITA ASISTENCIA PARA EL ARRANQUE ESTE PRODUCTO:

No devuelva este producto a la tienda donde fue adquirido. Por favor llame al Departamento de Atención al Cliente para todo problema que pueda tener.

Pour toute assistance, appeler le : 1-800-860-4050.

UTILISATION DE LA SOUFFLANTE

Voir la figure 11.

ADVERTENCIA:

El alojamiento del motor se puede calentar durante el funcionamiento. No toque ni coloque ninguna parte del cuerpo ni sus prendas de vestir sobre el alojamiento del motor, los orificios de ventilación que rodean al silenciador ni el orificio de escape cuando arranque, opere o transporte la sopladora. Detenga el motor y déjelo enfriar durante al menos 15 minutos antes de guardar la sopladora; no deje que la sopladora entre en contacto con materiales combustibles cuando la guarde. El contacto con el alojamiento del motor, los orificios de ventilación del silenciador o los gases de escape podría ocasionar quemaduras graves y/o prender fuego a materiales combustibles.

AVISO:

Siempre opere el producto respetando todas las leyes y ordenanzas correspondientes.

- Meta el brazo en el arnés, ponga éste en el hombro y luego repita estos movimientos con el otro lado. Ajuste las correas para dejarlas en una posición cómoda. Consulte el apartado **Ajuste de las correas del arnés**, más arriba en este manual. Después quítese la unidad para arrancarla.
- Encienda la sopladora. Consulte el apartado **Arranque y apagado**, más arriba en este manual.
- Vuelva a ponerse la sopladora. La unidad debe maniobrase teniéndola al lado derecho, como se muestra.
- Para evitar la dispersión de los desechos, apunte la sopladora hacia los bordes exteriores de un apilamiento de desechos. Nunca apunte la sopladora directamente al centro de una pila de desechos.
- Solamente utilice equipo motorizado a horas razonables, ni temprano en la mañana ni tarde en la noche, cuando podría molestar a otras personas. Cumpla con los horarios establecidos en los reglamentos de la localidad.
- Para reducir el nivel de ruido, limite a uno el número de equipos utilizados a la vez.
- Utilice la sopladora a la velocidad menor posible del acelerador requerida para efectuar el trabajo.
- Revise el equipo antes de utilizarlo, especialmente el silenciador, así como las entradas y filtros de aire.
- Utilice rastrillos y escobas para aflojar los desechos antes de utilizar la sopladora. En condiciones polvorientas, cuando haya agua disponible, humedezca levemente las superficies.
- Conserve agua utilizando sopladores motorizados en lugar de mangueras para numerosos usos de jardinería, incluso para canalones, pantallas, patios, parrillas, porches y jardines.
- Esté al cuidado de niños, mascotas, ventanas abiertas o coches recién lavados, y sople los desechos de manera segura.
- Utilice la boquilla ancha para barrer, de manera que la corriente de aire salga cerca del piso.

FUNCIONAMIENTO

- Después de utilizar sopladores o cualquier otro equipo, ¡LIMPIE! Deseche de forma adecuada los desechos.

AVERTISSEMENT :

No coloque el soplador encima ni cerca de desechos sueltos. Los desechos pueden ser succionados dentro de las rejillas de ventilación de la entrada de aire del soplador y causar blessures graves et posibles daños a la unidad.

CONTROL DE CRUCERO

Vea la figura 12.

El control de cruceo permite utilizar la sopladora sin tener oprimido el gatillo del acelerador.

Para accionar el control de cruceo:

- Presione hacia abajo de la palanca de control de cruceo y deténgase en la marca deseada del acelerador.
- Para quitar el control de cruceo, levante totalmente la palanca de control de cruceo.

MANTENIMIENTO

Cualquier establecimiento o técnico de reparaciones calificado puede realizar el mantenimiento normal, el reemplazo o la reparación de los dispositivos y sistemas de control de emisiones, con repuestos originales o equivalentes. Un centro de servicio autorizado deberá realizar las reparaciones y el retiro del producto que cubra la garantía; póngase en contacto con el servicio al cliente para obtener ayuda.

ADVERTENCIA:

Antes de inspeccionar, limpiar o dar servicio a la máquina, apague el motor, espere a que se detengan todas las piezas en movimiento, desconecte el cable de la bujía y aléjelo de ésta. El incumplimiento de cualquiera de estas instrucciones puede causar lesiones serias.

ADVERTENCIA:

Siempre póngase protección ocular con protección lateral con la marca de cumplimiento de la norma ANSI Z87.1 junto con protección auditiva. Si no cumple esta advertencia, los objetos que salen despedidos pueden producirle lesiones serias en los ojos.

ADVERTENCIA:

Al dar servicio a la unidad, sólo utilice piezas de repuesto recomendadas o equivalentes. El empleo de piezas diferentes podría causar un peligro o dañar el producto.

AVISO:

Inspeccione periódicamente todo el producto para detectar partes dañadas, faltantes o sueltas, como tornillos, tuercas, pernos, tapas, etc. Apriete firmemente todos los sujetadores y las tapas y no accione este producto hasta que todas las partes faltantes o dañadas sean reemplazadas. Llame al contacto con el servicio al cliente o con un centro de servicio calificado para recibir asistencia.

MANTENIMIENTO GENERAL

Evite el empleo de solventes al limpiar piezas de plástico. La mayoría de los plásticos son susceptibles a diferentes tipos de solventes comerciales y pueden resultar dañados. Utilice paños limpios para eliminar la suciedad, el polvo, el lubricante, la grasa, etc.

ADVERTENCIA:

No permita en ningún momento que fluidos para frenos, gasolina, productos a base de petróleo, lubricantes penetrantes, etc., lleguen a tocar las piezas de plástico. Los productos químicos pueden dañar, debilitar o destruir el plástico, lo cual puede causar lesiones serias.

BUJÍA

En este motor se emplea una bujía Champion RCJ4 o equivalente, con una separación interelectrónica de 0,64 mm (0,025 pulg.). Reemplácela con una bujía de repuesto recomendadas o equivalentes anualmente, o con mayor frecuencia si es necesario.

AVISO:

Tenga cuidado de no estropear la rosca de la bujía. Si se estropea la rosca de la bujía, resultará seriamente dañado el producto.

LIMPIEZA DEL ORIFICIO DE ESCAPE

AVISO:

El parachispas que acompaña a este producto no ha sido evaluado por el Servicio Forestal del Departamento de Agricultura de EE. UU. y no se puede usar en terrenos forestales de EE. UU. Además, los usuarios del producto deben cumplir con los reglamentos de prevención de incendios locales, estatales y federales. Consulte a las autoridades que correspondan. Póngase en contacto con el servicio al cliente o con un centro de servicio calificado para comprar un parachispas de repuesto.

NOTA: Dependiendo del tipo de combustible utilizado, el tipo y la cantidad de lubricante utilizado, o las condiciones de funcionamiento en particular, la abertura de escape, el silenciador y/o el parachispas pueden resultar obstruidos con depósitos de carbón. Si observa alguna pérdida de potencia en su herramienta

MANTENIMIENTO

con motor de gasolina, quizá sea necesario eliminar dichos depósitos para restaurar el rendimiento. Recomendamos enfáticamente que este servicio lo realicen únicamente los técnicos de servicio calificados.

Es necesario limpiar o reemplazar el parachispas cada 50 horas o anualmente para asegurarse del buen funcionamiento de la unidad. Los parachispas pueden estar instalados en diferentes posiciones dependiendo del modelo del cual se trate. Comuníquese con el establecimiento de servicio más cercano para confirmar la ubicación del parachispas para su modelo específico.



ADVERTENCIA:

Nunca utilice la sopladora un silenciador equipado con el parachispas montado en su lugar. De lo contrario puede producirse un incendio, con el consiguiente riesgo de lesiones serias.

TAPA DEL TANQUE DE COMBUSTIBLE, TANQUE, Y CONDUCTO



ADVERTENCIA:

Revise la herramienta para ver si tiene fugas de combustible. Una tapa del tanque de combustible, tanque o conducto, con fugas constituye un riesgo de incendio y debe reemplazarse inmediatamente. Si encuentra fugas, corrija el problema antes de utilizar la herramienta. De lo contrario puede producirse un incendio, con el consiguiente riesgo de lesiones serias.

La tapa del tanque de combustible contiene un filtro que no necesita mantenimiento y una válvula de retención. Un filtro de combustible obstruido puede causar un desempeño deficiente del motor. Si mejora el desempeño al aflojar la tapa del tanque de combustible, es posible que esté defectuosa la válvula de retención o quizá esté obstruido el filtro. Reemplace la tapa del tanque de combustible si es necesario.

ALMACENAMIENTO DE LA PRODUCTO

- Limpie todo material extraño de la producto. Almacene la unidad en un espacio bien ventilado inaccesible a los niños. Evite que la unidad entre en contacto con agentes corrosivos como las sustancias químicas para el jardín y las sales para derretir el hielo.
- Cumpla todos los reglamentos federales y municipales para el almacenamiento y manejo seguro de la gasolina.

Al almacenar 1 mes o más:

- Drene todo el combustible del tanque en un recipiente de uso aprobado para gasolina. Accione el motor hasta que se apague.

OPERACIÓN DEL MOTOR A ALTITUDES ELEVADAS

Su motor está configurado para funcionar por debajo de los 609,6 m (2 000 pies) de altitud medidos en la fábrica. Su motor se debe volver a configurar para funcionar por sobre los 609,6 m (2 000 pies) de altitud. Hacer funcionar el motor con la configuración equivocada a determinada altura puede aumentar las emisiones, reducir la eficiencia del combustible, perjudicar el funcionamiento y provocar daños irreversibles al motor. Los motores que estén configurados para funcionar en una altitud alta no se pueden utilizar en condiciones de altitud estándar. Un centro de servicio calificado debe asegurarse que su motor está debidamente configurado para funcionar donde usted se encuentre.

ESTE PRODUCTO SE FABRICÓ CON UN SILENCIADOR CATALÍTICO

¡Felicidades! Acaba de realizar una inversión para proteger el medio ambiente. A fin de conservar el nivel de emisiones original de este producto, le suplicamos consultar el apartado sobre mantenimiento que aparece abajo.

PROGRAMA DE MANTENIMIENTO				
Pieza de mantenimiento	Inspeccionar para dañadas cada vez antes de usar la unidad	Limpiar cada 5 horas de uso	Reemplazar cada 25 horas de uso o cada año	Reemplácelo cada 50 Horas
* CONJUNTO DE SILENCIADOR CATALÍTICO				X
PANTALLA PARACHISPAS				X
* CONJUNTO DEL CARBURADOR				
incluye:				
Juntas				X
* CONJUNTO DEL TANQUE DE COMBUSTIBLE				
incluye:				
Conductos de combustible.....				X
Tapa del tanque de combustible.....				X
Filtro de combustible				X
* CONJUNTO DEL ENCENDIDO				
incluye:				
Bujía				X
* AVISO: EL USO DE COMPONENTES DE CONTROL DE EMISIONES QUE NO SEAN LOS DISEÑADO PARA ESTA UNIDAD INFRINGE LA LEGISLACIÓN FEDERAL.				

SOLUCIÓN DE PROBLEMAS

Problema	Causa Posible	Solución
El motor no arranca.	<p>No hay chispa.</p> <p>No hay combustible.</p> <p>Está ahogado el motor.</p> <p>Se requiere más esfuerzo ahora para tirar de la cuerda del arrancador que cuando estaba nueva la unidad.</p>	<p>Revise la chispa. Retire la bujía. Desconecte el cable de la bujía. Vuelva a conectar el cable de la bujía y coloque ésta en el cilindro metálico. Tire de la cuerda de arranque y observe la chispa en el electrodo de la bujía. Si no hay chispa, repita la prueba con otra bujía.</p> <p>Presione la bomba de cebado hasta que se llene de combustible la misma. Si no se llena la bomba, significa que está obstruido el sistema de conducción de combustible. Comuníquese con un establecimiento de servicio. Si se llena la bomba, es posible que esté ahogado el motor (vea el siguiente punto).</p> <p>Permita que la unidad se siente por 30 minutos. Coloque la estrangulación en la posición de RUN. Sostenga la válvula reguladora en la válvula reguladora llena y tire al comienzo. Si la unidad no comienza dentro de 15 tirones, sustituya el enchufe y el intento de chispa que recomienzan el motor.</p> <p>Comuníquese con un centro de servicio calificado.</p>
El motor arranca pero no acelera.	El motor necesita tres minutos aproximadamente para calentarse.	Permita que se caliente completamente el motor. Si el motor no acelera después de tres minutos, comuníquese con un centro de servicio calificado.
El motor arranca pero únicamente alcanza la alta velocidad con el anegador en posición intermedia.	El carburador necesita ajuste.	Comuníquese con un centro de servicio calificado.
El motor no alcanza la máxima velocidad y emite demasiado humo.	<p>Mezcla de lubricante y combustible incorrecta.</p> <p>Está sucio el filtro de aire.</p>	<p>Use combustible fresco y la mezcla correcta de lubricante para motor de 2 tiempos.</p> <p>Comuníquese con un centro de servicio calificado.</p>

Si el problema persiste después de probar las soluciones mencionadas arriba, contacto con el servicio al cliente o con un centro de servicio calificado para solicitar asistencia.

AVISO:

Como propietario equipo, usted es responsable de que se realice el mantenimiento obligatorio que se indica en esta *Mantenimiento*. Le recomendamos que guarde todos los comprobantes relacionados con el mantenimiento de su equipo. Negligencia o falta del mantenimiento indicado puede aumentar las emisiones, reducir la eficiencia del combustible, perjudicar el funcionamiento, provocar daños irreversibles al motor y anulará su garantía.



LLÁMENOS PRIMERO

Si tiene preguntas sobre el funcionamiento o el mantenimiento este producto, llame al teléfono de atención al consumidor de Ryobi!

La recortadora ha sido probada enteramente antes de embarcarse para asegurar la satisfacción del consumidor.

Garantía

DECLARACIÓN DE LA GARANTÍA LIMITADA

Techtronic Industries North America, Inc. garantiza al comprador original al menudeo que este producto de la marca RYOBI™ carece de defectos en los materiales y en la mano de obra, y acuerda reparar o reemplazar, a la sola discreción de Techtronic Industries North America, Inc., cualquier producto defectuoso, sin cargo alguno al comprador, dentro de los siguientes períodos de tiempo a partir de la fecha de compra.

- Tres años si los productos se emplean para uso personal, familiar o casero;
- 30 días si el producto se emplea para cualquier otro propósito, como el uso comercial o el de alquiler.

Esta garantía se otorga solamente al comprador original al menudeo, y comienza en la fecha de la compra original al menudeo.

Cualquier parte de este producto Techtronic Industries North America, Inc. que, a juicio razonable de la compañía, tenga defectos en los materiales o en la mano de obra, será reparado o reemplazado por un centro de servicio autorizado de herramientas para uso en el exterior de la marca RYOBI™, sin cargo alguno al comprador por concepto de piezas y mano de obra (Centro de Servicio Autorizado Ryobi).

El producto, incluida toda pieza defectuosa, debe enviarse a un centro de servicio autorizado Ryobi dentro del período de la garantía. El gasto de enviar el producto al centro de servicio para cualquier trabajo cubierto por la garantía, así como el gasto de devolverlo al propietario después de la reparación, correrán por cuenta del propietario. La responsabilidad de Techtronic Industries North America, Inc. con respecto a todo reclamo se limita a las reparaciones o reemplazo del producto, y ningún reclamo de incumplimiento de la garantía será causante de la cancelación o rescisión del contrato de venta de ninguna herramienta de uso en el exterior de la marca RYOBI™. En el establecimiento se requerirá el recibo de compra para respaldar cualquier reclamo al amparo de la garantía. Todo trabajo cubierto en la garantía debe ser realizado por un concesionario de servicio autorizado.

Esta garantía se limita a noventa (90) días a partir de la fecha original de la compra de cualquier herramienta de uso en el exterior de la marca RYOBI™ empleada para propósitos comerciales o de alquiler, o cualquier otro propósito generador de ingresos.

Esta garantía no cubre ningún producto que haya sido sujeto a un uso indebido, maltrato, negligencia o accidente, o que haya sido utilizado de cualquier forma contraria a las instrucciones de manejo especificadas en el manual del operador del producto. Esta garantía no aplica a ningún daño en el producto que resulte de un mantenimiento indebido ni a ningún producto que haya sido alterado o modificado. La garantía no cubre ninguna reparación necesaria por el uso normal ni por el uso de piezas o accesorios que sean incompatibles con la herramienta para uso exterior de la marca RYOBI™, o afecten de forma desfavorable su funcionamiento, desempeño o durabilidad.

Además, esta garantía no cubre:

- A. Afinación – Bujías, carburador, ajustes del carburador, encendido, filtros
- B. Artículos sujetos a desgaste – Perillas de tope, carretes

exteriores, hilos de corte, carretes interiores, poleas del arrancador, cuerdas del arrancador, correas de transmisión, aspas, arandelas de fieltro y pasadores de enganche, hojas de triturar, ventiladores de sopladoras, tubos de sopladoras y de aspiradoras, sacos y correas de aspiradoras, barras guía y cadenas de sierras

Techtronic Industries North America, Inc. se reserva el derecho a cambiar o mejorar el diseño de cualquier herramienta para uso en el exterior de la marca RYOBI™ sin asumir ninguna obligación de modificar ningún producto fabricado previamente.

TODAS LAS GARANTÍAS IMPLÍCITAS ESTÁN LIMITADAS EN DURACIÓN SEGÚN EL PERÍODO DE GARANTÍA DECLARADA. POR CONSIGUIENTE, CUALQUIER GARANTÍA IMPLÍCITA, INCLUSO LAS DE COMERCIABILIDAD, IDONEIDAD PARA UN PROPÓSITO EN PARTICULAR, O DE CUALQUIER TIPO, PIERDEN TOTALMENTE SU VALIDEZ DESPUÉS DEL VENCIMIENTO DEL PERÍODO DE GARANTÍA CORRESPONDIENTE DE TRES AÑOS O TREINTA DÍAS. DE CONFORMIDAD CON ESTA GARANTÍA, LA OBLIGACIÓN DE TECHTRONIC INDUSTRIES NORTH AMERICA, INC. SE LIMITA ESTRICTA Y EXCLUSIVAMENTE A LA REPARACIÓN O REPLAZO DE LAS PIEZAS DEFECTUOSAS, Y TECHTRONIC INDUSTRIES NORTH AMERICA, INC. NO ASUME NINGUNA OTRA OBLIGACIÓN, NI AUTORIZA A NADIE ASUMIRLA A NOMBRE DE DICHA COMPAÑÍA. ALGUNOS ESTADOS NO PERMITEN LIMITACIONES EN CUANTO A LA DURACIÓN DE UNA GARANTÍA IMPLÍCITA, POR LO CUAL ES POSIBLE QUE LA LIMITACIÓN ANTERIOR NO SE APLIQUE EN EL CASO DE USTED. TECHTRONIC INDUSTRIES NORTH AMERICA, INC. NO ASUME NINGUNA RESPONSABILIDAD POR DAÑOS DIRECTOS, INDIRECTOS O DE NINGÚN OTRO TIPO, COMO EL GASTO DE ENVIAR EL PRODUCTO A UN CENTRO DE SERVICIO AUTORIZADO RYOBI Y EL GASTO DE ENVIARLO DE ALLÍ AL PROPIETARIO, EL TIEMPO DE VIAJE DEL MECÁNICO, CARGOS TELEFÓNICOS O TELEGRÁFICOS, ALQUILER DE UN PRODUCTO SUSTITUTO DURANTE EL TIEMPO DE REALIZACIÓN DEL SERVICIO DE LA GARANTÍA, VIAJES, PÉRDIDA O DAÑOS A OBJETOS DE PROPIEDAD PERSONAL, PÉRDIDA DE INGRESOS, PÉRDIDA DEL USO DEL PRODUCTO, PÉRDIDA DE TIEMPO O INCONVENIENTES. EN ALGUNOS ESTADOS NO SE PERMITE LA EXCLUSIÓN O LIMITACIÓN DE DAÑOS DIRECTOS O INDIRECTOS, POR LO CUAL ES POSIBLE QUE LA LIMITACIÓN O EXCLUSIÓN DESCRITA ARRIBA NO SE APLIQUE EN SU CASO.

Esta garantía le confiere derechos legales específicos, y es posible que usted goce de otros derechos, los cuales pueden variar de estado a estado.

Esta garantía se aplica a todas las herramientas para uso en el exterior de la marca RYOBI™ fabricadas por Techtronic Industries North America, Inc. y vendidos en Estados Unidos y Canadá.

Para encontrar el centro de servicio autorizado Ryobi más cercano a usted, llame al 1-800-860-4050.



OPERATOR'S MANUAL

MANUEL D'UTILISATION / MANUAL DEL OPERADOR

42cc BACKPACK BLOWER

SOUFFLANTE DORSALE 42 cc

SOPLADORA DE MOCHILA 42 cc

RY08420A/Ry42BPENC

- **PARTS AND SERVICE:** Prior to requesting service or purchasing replacement parts, please obtain your item, manufacturing, and serial numbers from the product data plate.

ITEM NO. _____

MANUFACTURING NO. _____

SERIAL NO. _____

HOW TO OBTAIN REPLACEMENT PARTS: Replacement parts can be purchased online at www.ryobitools.com or by calling 1-800-860-4050. Replacement parts can also be obtained at one of our service centers.

HOW TO LOCATE A SERVICE CENTER: Service centers can be located online at www.ryobitools.com or by calling 1-800-860-4050.

HOW TO OBTAIN CUSTOMER OR TECHNICAL SUPPORT: To obtain customer or technical support please contact us at 1-800-860-4050.

RYOBI is a trademark of Ryobi Limited and is used pursuant to a license granted by Ryobi Limited.

- **PIÈCES ET SERVICE :** Avant de faire la demande de service ou l'achat de pièces de remplacement, veuillez obtenir le numéro d'article, le numéro de fabrication et le numéro de série à partir de la plaque de données du produit.

NUMÉRO D'ARTICLE _____

NUMÉRO DE FABRICATION _____

NUMÉRO DE SÉRIE _____

COMMENT OBTENIR LES PIÈCES DE REMPLACEMENT : Les pièces de remplacement peuvent être achetées en ligne sur le site www.ryobitools.com ou par téléphone au 1-800-860-4050. Les pièces de remplacement peuvent être obtenues à un de nos centres de service.

COMMENT TROUVER UN CENTRE DE SERVICE : Les centres de service peuvent être localisés en ligne au www.ryobitools.com ou en téléphonant au 1-800-860-4050.

COMMENT OBTENIR DE L'AIDE EN CONTACTANT LE SERVICE À LA CLIENTÈLE : Pour contacter le service à la clientèle pour une question technique ou pour tout autre renseignement, veuillez nous téléphoner au 1-800-860-4050.

RYOBI est une marque de Ryobi Limited et est utilisée en vertu d'une licence accordée par Ryobi Limited.

- **PIEZAS DE REPUESTO Y SERVICIO:** Antes de solicitar servicio técnico o comprar piezas de repuesto, obtenga su número de artículo, el número de fabricación y el número de serie de la placa de datos del producto.

NÚMERO DE ARTÍCULO _____

NÚMERO DE FABRICACIÓN _____

NÚMERO DE SERIE _____

CÓMO OBTENER PIEZAS DE REPUESTO: Las piezas de repuesto se pueden comprar en nuestro sitio en la red mundial, en la dirección www.ryobitools.com o llamando al 1-800-860-4050. Las piezas de repuesto también se pueden obtener en uno de nuestros centros de servicio.

CÓMO LOCALIZAR UN CENTRO DE SERVICIO: Puede encontrar los centros de servicio visitando nuestro sitio en la red mundial, en la dirección www.ryobitools.com or by calling 1-800-860-4050.

CÓMO OBTENER SERVICIO O ASISTENCIA TÉCNICA AL CONSUMIDOR: Para obtener servicio o asistencia técnica al consumidor, sírvase comunicarse con nosotros llamando al 1-800-860-4050.

RYOBI es una marca de Ryobi Limited y se utiliza conforme a una licencia otorgada por Ryobi Limited.

TECHTRONIC INDUSTRIES POWER EQUIPMENT

991000578
6-22-17 (REV:03)

1428 Pearman Dairy Road, Anderson, SC 29625 USA
1-800-860-4050 • www.ryobitools.com