



WATER SOFTENING SYSTEM

Safety Information 2

Specifications
and Performance Claims 3

About the Softener 4

Before you Start 7

Installation Requirements 8

Installation Instructions 11

Programming the Softener 16

Care and Cleaning 21

Routine Maintenance 22

Before you call for Service 24

Exploded View/Parts List 30

Limited Warranty (U.S.) 33

Limited Warranty (Canada) 34

Consumer Support 36

OWNER'S MANUAL AND INSTALLATION INSTRUCTIONS

Model GXSF30V

Write the model and serial numbers here:

Model # _____

Serial # _____

To find these numbers, lift the cover and look on the rim below the control panel.



Systems tested and certified by NSF International against NSF/ANSI Standard 44 for the chemical reduction claims specified on page 3, and certified to NSF/ANSI 372.



Systems Tested and Certified by the Water Quality Association against CSA B483.1.

If you have any questions or concerns when installing or maintaining your water softener, call our toll free number at 800-952-5039 (US) or 866-777-7627 (Canada), or visit geappliances.com. When you call, please be prepared to provide the model and serial number of your product. This information can be found on the rating decal located on the rim under the salt cover.

IMPORTANT SAFETY INFORMATION. READ ALL INSTRUCTIONS BEFORE USING

SAFETY PRECAUTIONS

⚠ WARNING

For your safety, the information in this manual must be followed to minimize the risk of electric shock, property damage or personal injury.

⚠ WARNING

A copper or galvanized cold water pipe may be used to ground electrical outlets in the home. Failure to maintain this ground path may result in an electric shock hazard. If the cold water pipe is used to ground electric outlets, please refer to Installing the Ground Wire section before cutting the pipe.

- Check and comply with your state and local codes. You must follow these guidelines.
- Use care when handling the water softening system. Do not turn upside down, drop, drag or set on sharp protrusions.
- Water softening systems using sodium chloride (salt) for recharge add sodium to the water. Persons on sodium restricted diets should consider the added sodium as part of their overall intake. Potassium chloride can be used as an alternative to sodium chloride in your softener.
- Use only lead-free solder and flux for all sweat-solder connections, as required by state and federal codes.
- This water softening system must be properly installed and located in accordance with the installation instructions before it is used.
- Keep the salt hole cover in place on the softener unless servicing the unit or refilling with salt.

In the state of California: You must turn the Salt Efficiency Feature setting to ON. This may initiate more frequent recharges. However it will operate at 4,000 grains per pound of salt or higher. To turn on the Salt Efficiency Feature, follow the instructions in the “Salt Saver” section of this manual

⚠ WARNING

Do not use with water that is microbiologically unsafe or of unknown quality without adequate disinfection before or after the system.

⚠ WARNING

Discard all unused parts and packaging material after installation. Small parts remaining after the installation could be a choke hazard.

- The water softening system works on 24 volt-60 Hz electrical power only. Be sure to use the included external power supply.
- External power supply must be plugged into an indoor 120 volt, grounded outlet only.
- Use clean water softening salts only, at least 99.5% pure. NUGGET, PELLET or coarse SOLAR salts are recommended. Do not use rock, block, granulated or ice cream making salts. These types of salts may contain dirt and sediments that might mush or cake, creating maintenance issues for the water softener.
- Avoid installing in direct sunlight. Excessive heat may cause distortion or other damage to non-metallic parts.
- If installing the water softener outdoors, do not locate where it will be exposed to wet weather, direct sunlight, extreme hot or cold temperatures, or other forms of abuse.

In the Commonwealth of Massachusetts, Plumbing Code 248 CMR shall be adhered to. Consult with your licensed plumber.

READ AND SAVE THESE INSTRUCTIONS

Specifications and Performance Claims

This model is efficiency rated. The efficiency rating is valid only at the minimum stated salt dose. The softener has a demand initiated regeneration (D.I.R) feature that complies with specific performance specifications intended to minimize the amount of regenerant brine and water used in its operation.

The softener has a rated salt efficiency of not less than 4,000 grains of total hardness exchange per pound of salt (based on sodium chloride), and shall not deliver more salt than its listed rating or be operated at a sustained maximum service flow rate greater than its listed rating. This softener has been proven to deliver soft water for at least ten continuous minutes at the rated service flow rate. The rated salt efficiency is measured by laboratory test described in NSF/ANSI Standard 44. These tests represent the maximum possible efficiency that the system can achieve. Operational efficiency is the actual efficiency after the system has been installed. It is typically less than the efficiency, due to individual application factors including water hardness, water usage, and other contaminants that reduce the softener's capacity.

Specifications	
Model	GXSF30V
Rated Capacity* (Grains@ Salt Dose)	11,900 @ 2.5 lbs 25,300 @ 7.9 lbs. 30,100 @ 13.3 lbs.
Rated Efficiency** (Grains/Pound of Salt @ Minimum Salt Dose)	4,770 @ 2.5 lbs.
Water used during Regeneration (gallons/grains)	2.8 /1000
Total Water Used per Regeneration @ Maximum Salt Dose	35.5 gallons
Amount of High Capacity Ion Exchange Resin (lb/cu.ft.)	43/0.83
Resin Tank Nominal Size (in., dia. x height)	9 x 35
Service Flow Rate (gpm)	7.5
Pressure Drop at Rated Service Flow (psig)	13.4
Water Supply Maximum Hardness (gpg)	95
Water Supply Maximum Clear Water Iron (ppm)***	8
Water Pressure Limits (minimum-maximum psi)****	20-125
Water Temperature Limits (minimum-max. °F)	40-120
Maximum Flow Rate to Drain (gpm)	2.3

These systems conform to NSF/ANSI 44 for the specific capacity claims as verified and substantiated by test data.

* Testing was performed using pellet grade sodium chloride as

the regenerant salt.

** Efficiency rating is valid only at the lowest stated salt dosage. These softeners were efficiency rated according to NSF/ANSI 44.

*** Extent of iron removal may vary with conditions. The capacity to reduce clear water iron is substantiated by WQA test data.

State of Wisconsin requires additional treatment if water supply contains greater than 5 ppm clear water iron. Refer to Cleaning Iron Out of the Water Softening System section.

**** Canada working pressure limits: 1.4–7.0 kg/cm².

Performance Claims		
Contaminant	Influent Challenge Level	Maximum Allowable Product Water Level
Barium	10 ±10% mg/L	2.0 mg/L
Radium 226/228	25 pCi/L	5pCi/L

Test parameters include: pH = 7.5±0.5, flow rate = 7.5 gpm and dynamic pressure = 35±5 psig

About the water softener system

SERVICE

When the water softening system is providing soft water, it is called "Service." During service, hard water flows from the house main water pipe into the water softening system. Inside the water softening system resin tank is a bed made up of thousands of tiny, plastic resin beads. As hard water passes through the bed, each bead attracts and holds the hard minerals. This is called ion-exchanging. It is much like a magnet attracting and holding metals. Water without hard minerals (soft water) flows from the water softening system and to the house pipes.

After a period of time, the resin beads become coated with hard minerals and they have to be cleaned. This cleaning is called recharge. Recharge is started at 2:00 AM (factory setting) by the water softening system control, and consists of five stages or cycles. These are **FILL, BRINING, BRINE RINSE, BACKWASH and FAST RINSE.**

AUTOMATIC HARD WATER BYPASS DURING RECHARGE

During recharge the water softener is automatically put in bypass mode allowing hard water to be available to the home. Once the softener is recharged water is directed back through the softener to be conditioned.

However, you should avoid using HOT water because the water heater will fill with the hard water.

FILL

Salt dissolved in water is called brine. Brine is needed to clean the hard minerals from resin beads. To make the brine, water flows into the salt storage area during the fill stage.

BRINING

During brining, brine travels from the salt storage area into the resin tank. Brine is the cleaning agent needed to remove hard minerals from the resin beads. The hard minerals and brine are discharged to the drain.

The nozzle and venturi create a suction to move the brine, maintaining a very slow rate to get the best resin cleaning with the least salt.

BRINE RINSE

After a pre-measured amount of brine is used, the brine valve closes. Water continues to flow in the same path as during brining, except for the discontinued brine flow. Hard minerals and brine flush from the resin tank to the drain.

BACKWASH

During backwash, water travels up through the resin tank at a fast flow rate, flushing accumulated iron, dirt and sediments from the resin bed and to the drain.

FAST RINSE

Backwash is followed by a fast flow of water down through the resin tank. The fast flow flushes brine from the bottom of the tank, and packs the resin bed.

After fast rinse, the water softening system returns to soft water service.

About the water softener system

NORMAL OPERATION, CONTROL DISPLAYS

During normal operation, the present time of day and AM or PM and **DAYS TO EMPTY** show in the control display area.

The system will automatically recharge at the preset recharge time as needed.

FEATURE: OPTIONAL RECHARGE CONTROLS

Sometimes, a manually started recharge may be desired or needed. Two examples:

- You have used more water than usual (house guests, extra washing, etc.) and you may run out of soft water before the next recharge.
- The system ran out of salt.

Use one of the following features to start a recharge immediately, or at the next preset recharge start time.

RECHARGE TONIGHT

Touch (do not hold) the **RECHARGE** button. **RECHARGE TONIGHT** flashes in the control display area. A recharge will occur at the next preset recharge start time. If you decide to cancel this recharge, touch the same button once more.

RECHARGE NOW

Press and hold the **RECHARGE** button until **RECHARGE NOW** starts to flash in the control display area. The water softening system begins an immediate recharge and, when over in about two hours, you will have a new supply of soft water. Once started, you cannot cancel this recharge.

FEATURE: MEMORY

If electrical power to the water softening system is interrupted, the control display is blank, and the blue indicator light is off, but the control keeps correct time for 24 hours. When power is restored, you have to reset the present time only if the display and blue indicator light are flashing. All other settings are maintained and never require resetting unless a change is desired.

If the time is flashing after a long power outage, the water softening system continues to work as it should to provide you with soft water. However, recharge may occur at the wrong time of day until you reset the control to the correct time of day.

FEATURE/SERVICE: AUTOMATIC ELECTRONIC DIAGNOSIS

The control computer has a self-diagnostic function for the electrical system (except input power and water meter). The computer monitors the electronic components and circuits for correct operation. If a malfunction occurs, an error code appears in the control display.

About the water softener system

WATER CONDITION INFORMATION

IRON

Iron in water can cause stains on clothing and plumbing fixtures. It can negatively affect the taste of food, drinking water, and other beverages. Iron in water is measured in parts per million (ppm). The total* ppm of iron, and type or types*, is determined by chemical analysis. Four different types of iron in water are:

- Ferrous (clear water) iron
- Ferric (red water) iron
- Bacterial and organically bound iron
- Colloidal and inorganically bound iron (ferrous or ferric)

Ferrous (clear water) iron is soluble and dissolves in water. This water softener will reduce moderate amounts of this type of iron (see specifications).**Ferrous (clear water) iron is usually detected by taking a sample of water in a clear bottle or glass. Immediately after taking, the sample is clear. As the water sample stands, it gradually clouds and turns slightly yellow or brown as air oxidizes the iron. This usually occurs in 15 to 30 minutes.

When using the softener to reduce Ferrous (clear water) iron, add 5 grains to the hardness setting fore very 1 ppm of Ferrous (clear water) iron. See “Set Water Hardness Number” section.

Ferric (red water), and bacterial and organically bound irons are insoluble. This water softener will not remove ferric or bacterial iron. This iron is visible immediately when drawn from a faucet because it has oxidized before reaching the home. It appears as small cloudy yellow, orange, or reddish suspended particles. After the water stands for a period of time, the particles settle to the bottom of the container. Generally these irons are removed from water by filtration. Chlorination is also recommended for bacterial iron.

Colloidal and inorganically bound iron is of ferric or ferrous form that will not filter or exchange out of water. This water softener will not remove colloidal iron. In some instances, treatment may improve colloidal iron water. Colloidal iron water usually has a yellow appearance when drawn. After standing for several hours, the color persists and the iron does not settle, but remains suspended in the water.

SEDIMENT

Sediment is fine, foreign material particles suspended in water. This water softener will not remove sediment. This material is most often clay or silt. Extreme amounts of sediment may give the water a cloudy appearance. A sediment filter installed upstream of the water softener normally corrects this situation.

* Water may contain one or more of the four types of iron and any combination of these. Total iron is the sum of the contents.

** Capacity to reduce clear water iron is substantiated by WQA test data.

CHLORINE

Softener resins may degrade in the presence of chlorine above 2 ppm. If you have chlorine in excess of this amount, you may experience reduced life of the resin. In these conditions, you may wish to consider purchasing a GE Appliances point-of-entry household filtration system with a chlorine reducing filter.

Before you start

BEFORE YOU START

- The water softener requires a minimum water flow of 3 gallons per minute at the inlet. Maximum allowable inlet water pressure is 125 psi. If daytime pressure is over 80 psi, nighttime pressure may exceed the maximum. Use a pressure reducing valve if necessary (Adding a pressure reducing valve may reduce the flow). If your home is equipped with a back flow preventer, an expansion tank must be installed in accordance with local codes and laws.
- The water softener uses a direct plug-in external power supply (included). Be sure to use the included power supply and plug it into a nominal 120V, 60 cycle household outlet that is in a dry location only, grounded and properly protected by an over current device such as a circuit breaker or fuse.
- Do not use this system to treat water that is microbiologically unsafe or of unknown quality without adequate disinfection upstream or downstream of the system.

TOOLS AND MATERIALS REQUIRED FOR INSTALLATION

- Pliers
- Screwdriver
- Razor knife
- Two adjustable wrenches
- Teflon tape
- 2 fittings to connect household plumbing to 1" NPT threads on softening adaptors.
- Additional installation parts may be required:
 - UL-approved grounding clamps and 6-gauge copper grounding wire.

INSPECT SHIPMENT

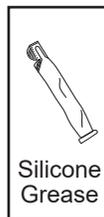
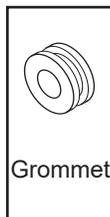
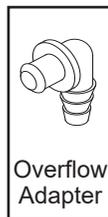
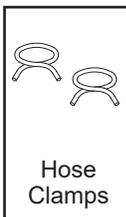
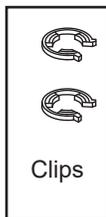
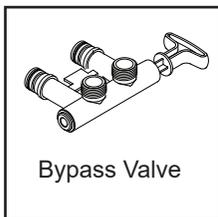
Make sure all the parts shown below are present. Additional parts must be purchased to complete the installation. Thoroughly check the water softener for possible shipping damage and parts loss. Also inspect and note any damage to the shipping carton.

Remove and discard (or recycle) all packing materials. To avoid loss of small parts, we suggest you keep the small parts in the parts bag until you are ready to use them.

⚠ WARNING

Discard all unused parts and packaging material after installation. Small parts remaining after the installation could be a choke hazard.

NOTE: Failure to comply with these installation instructions will void the product warranty, and the installer will be responsible for any service, repair or damages caused thereby.



Installation Requirements

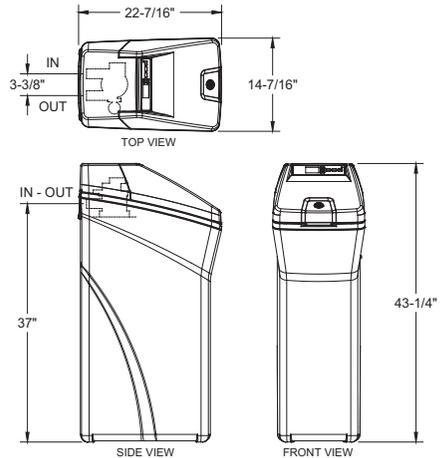
LOCATION REQUIREMENTS

Consider all of the following when selecting an installation location for the water softener.

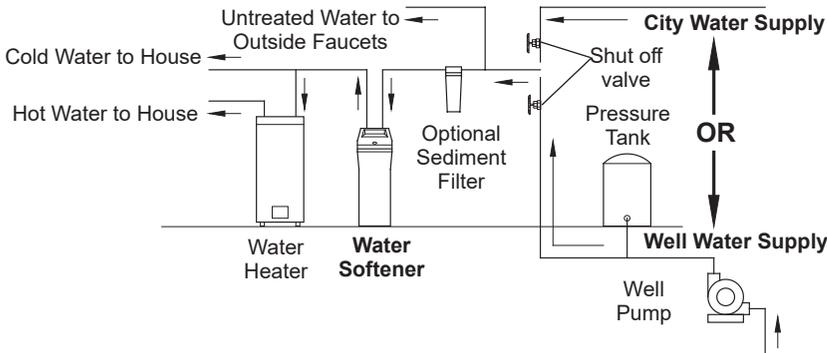
- Do not locate the water softener where freezing temperatures occur. Do not attempt to treat water over 120°F. **Freezing temperatures or hot water damage voids the warranty.**
- To condition all water in the home, install the water softener close to the water supply inlet, and upstream of all other plumbing connections, except outside water pipes. Outside faucets should remain on hard water to avoid wasting conditioned water and salt.
- A nearby drain is needed to carry away regeneration discharge (drain) water. Use a floor drain, laundry tub, sump, standpipe, or other options (check your local codes). See "Air Gap Requirements" and "Valve Drain Requirements" sections.
- The water softener uses a direct plug-in external power supply (included). Be sure to use the included power supply and plug it into a nominal 120V, 60 cycle household outlet that is in a dry location only, grounded and properly protected by an over current device such as a circuit breaker or fuse.
- Always install the water softener between the water inlet and water heater. Any other installed water conditioning equipment should be installed between the water inlet and water softener (See Figure below).
- If installing the water softener outdoors, do not locate where it will be exposed to wet weather, direct sunlight, extreme hot or cold temperatures, or other forms of abuse.

- **DO NOT RUN HOT WATER THROUGH THE SOFTENER.** Temperature of water passing through the softener must be less than 120° F.
- Avoid installing in direct sunlight. Excessive sun heat may cause distortion or other damage to non-metallic parts.
- When installing in an outside location you must take steps necessary to assure the softener, installation plumbing and wiring, are protected from the elements, direct sunlight, contamination, vandalism, insects, vermin, etc.
- Do not install the softener where it would block access to the water heater or access to the main water shutoff.

DIMENSIONS



PROPER ORDER TO INSTALL WATER TREATMENT EQUIPMENT



Installation Requirements

PLUMBING CODES

All plumbing must be completed in accordance with national, state and local plumbing codes.

In the state of Massachusetts: The Commonwealth of Massachusetts plumbing code 248-CMR shall be adhered to. A licensed plumber shall be used for this installation.

AIR GAP REQUIREMENTS

A drain is needed for regeneration water (See Figure 1). A floor drain, close to the water softener, is preferred. A laundry tub, standpipe, etc. are other drain options. Secure valve drain hose in place. Leave an air gap of 1-1/2" between the end of the hose and the drain. This gap is needed to prevent back flow of sewer water into the water softener. Do not put the end of the drain hose into the drain.

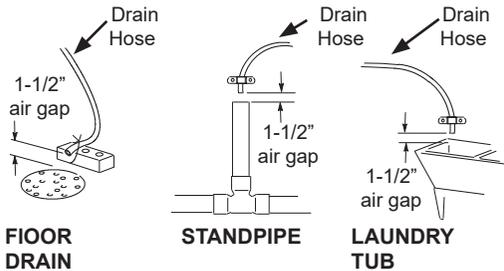


Figure 1

VALVE DRAIN REQUIREMENTS

Using the flexible drain hose (included) (See Figure 2), measure and cut to the length needed. Flexible drain hose is not allowed in all localities (check your plumbing codes). If local codes do not allow use of a flexible drain hose, a rigid valve drain run must be used. Purchase a compression fitting (1/4 NPT x 1/2 in. minimum tube) and 1/2" tubing from your local hardware store. Plumb a rigid drain as needed (See Figure 3).

NOTE: Avoid drain hose runs longer than 30 feet. Avoid elevating the hose more than 8 feet above the floor. Make the valve drain line as short and direct as possible.

FLEXIBLE DRAIN LINE

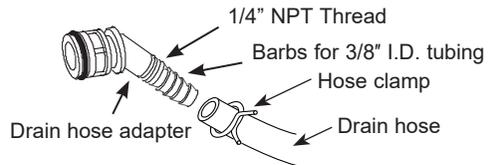


Figure 2

RIGID DRAIN LINE

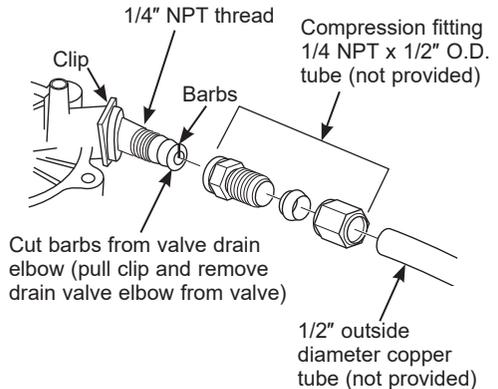


Figure 3

Installation Requirements

INLET/OUTLET PLUMBING REQUIREMENTS

Always install either a single bypass valve (provided), as shown in Figure 4, or, if desired, parts for a 3 valve bypass system (not included) can be purchased and assembled, as shown in Figure 5. Bypass valves allow you to turn off water to the softener for maintenance if needed, but still have water in house pipes.

Pipe fittings must be 1/2" minimum.

Use:

- Copper pipe
- Threaded pipe
- PEX (Crosslinked Polyethylene) pipe
- CPVC plastic pipe
- Other pipe approved for use with potable water

IMPORTANT: Do not solder with plumbing attached to installation adaptors and single bypass valve. Soldering heat will damage the adaptors and valve.

SINGLE BYPASS VALVE

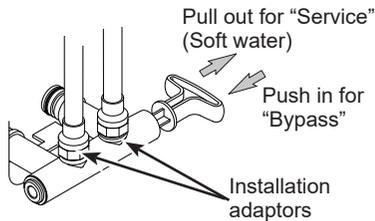


Figure 4

3-VALVE BYPASS SYSTEM

For soft water service: Open the inlet and outlet valves and close the bypass valve.

For bypass hard water: Close the inlet and outlet valves and open the bypass valve.

3 VALVE BYPASS

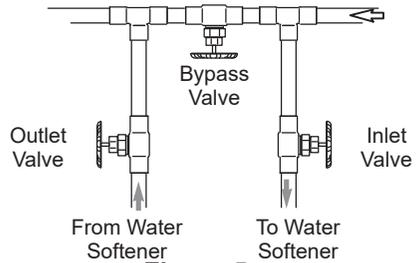


Figure 5

⚠ WARNING

A copper or galvanized cold water pipe may be used to ground electrical outlets in the home. Failure to maintain this ground path may result in an electric shock hazard. If the cold water pipe is used to ground electric outlets, please refer to Installing the Ground Wire section before cutting the pipe.

Installation Instructions

TYPICAL INSTALLATION

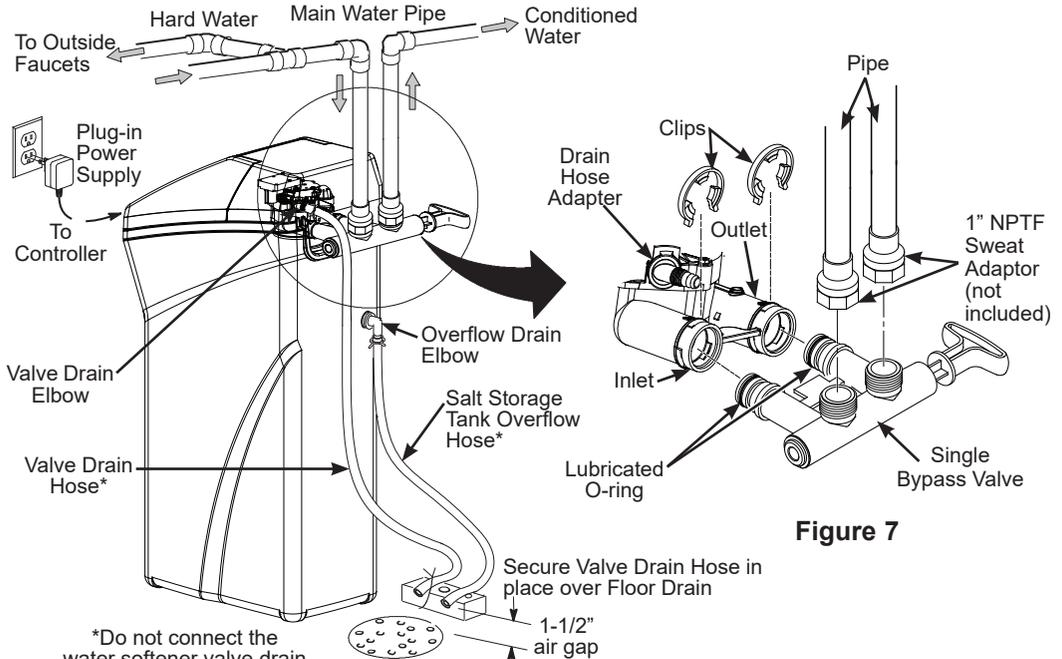
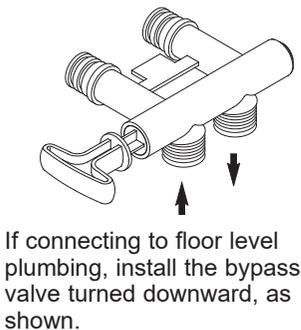


Figure 6

SINGLE BYPASS VALVE



- Remove plastic shipping plug and wire from valve outlet.

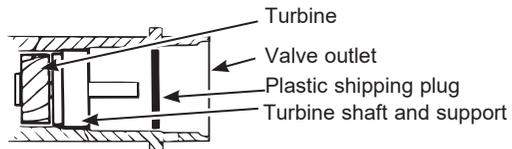


Figure 8

NOTE: Be sure the turbine and support are firmly in place in the valve port and observe the turbine for free rotation.

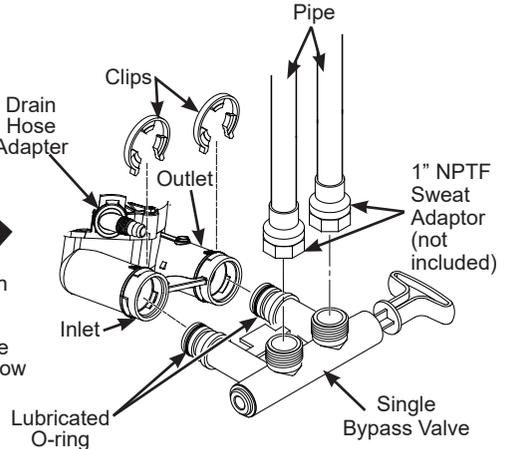


Figure 7

NOTE: See "Air Gap Requirements" section.

Installation Instructions

TURN OFF WATER SUPPLY

1. Close the main water supply valve, located near the well pump or water meter.
2. Open all faucets to drain all water from house pipes.

NOTE: Be sure not to drain water from the water heater, as damage to the water heater elements could result.

INSTALL THE BRINE TANK OVERFLOW ADAPTER

Install the brine tank overflow grommet and adapter in the 13/16" diameter hole in the back of the salt storage tank sidewall, (see Figure 9).

NOTE: The brine tank overflow adapter accepts either 1/2" or 3/8" I.D. hose.

INSTALL THE BYPASS VALVE

NOTE: For easier installation, remove the top cover. Release 2 clips at rear of cover. Rotate cover forward and lift up.

1. Visually check and remove any debris from the water softener valve inlet and outlet ports, (see Figure 7).
2. Make sure the turbine assembly spins freely in the "out" port of the valve, (see Figure 8).
3. If not already done, put a light coating of silicone grease (provided) on the single bypass valve o-rings, (see Figure 7).
4. Push the single bypass valve into the softener valve as far as it will go. Snap the two large holding clips into place, from the top down, (see Figure 7 and 10).

IMPORTANT: Be sure the clips snap firmly into place so the single bypass valve will not pull out.

MOVE WATER SOFTENER INTO PLACE

⚠ WARNING

Excessive Weight Hazard

Use two or more people to move and install water Softener Failure to do so can result in back or other injury.

1. Move the water softener into the desired location. Set it on a solid, level surface.

IMPORTANT: Do not place shims directly under the salt storage tank to level the softener. The weight of the tank, when full of water and salt, may cause the tank to fracture at the shim.

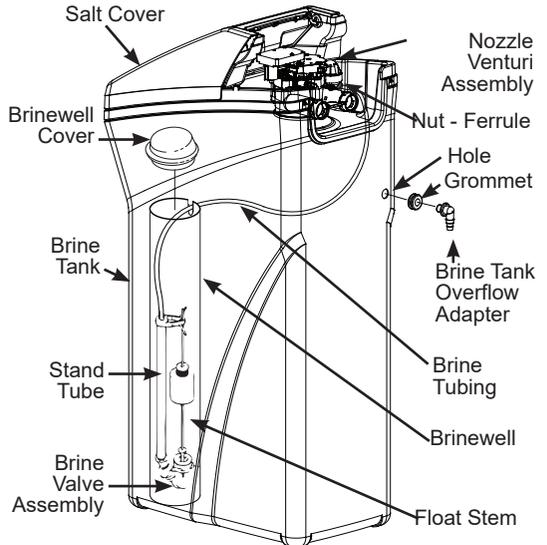
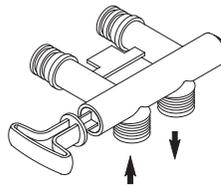


Figure 9

NOTE: Unit is shown with top cover removed.

SINGLE BYPASS VALVE



If connecting to floor level plumbing, install the bypass valve turned downward, as shown.

CORRECT ASSEMBLY

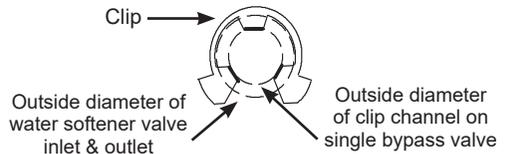


Figure 10

NOTE: Be sure all 3 tabs of the clip go through the matching holes on the water softener valve inlet or outlet, and fully into the channel on the single bypass valve. Make sure that the tabs are fully seated.

Installation Instructions

COMPLETE INLET AND OUTLET PLUMBING

⚠ WARNING

A copper or galvanized cold water pipe may be used to ground electrical outlets in the home. Failure to maintain this ground path may result in an electric shock hazard. If the cold water pipe is used to ground electric outlets, please refer to Installing the Ground Wire section before cutting the pipe.

IMPORTANT: This water softener has a non-metallic valve system. Installing it on metal plumbing will break electrical continuity, which may interrupt grounding for the home. You must restore electrical continuity in your metal plumbing system. If you install a 3-valve bypass system (Figure 5), electrical continuity will be maintained. If you install the non-metallic bypass valve (Figure 11), please refer to the Installing the Ground Wire section before cutting the pipe.

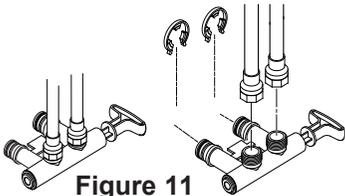


Figure 11

Measure, cut, and loosely assemble pipe and fittings from the main water pipe to the inlet and outlet ports of the water softener valve. Be sure to keep fittings fully together, and pipes squared and straight.

BE SURE INCOMING HARD WATER SUPPLY IS DIRECTED TO THE SOFTENER VALVE INLET PORT.

NOTE: Inlet and outlet are marked on the water softener valve. Trace the water flow direction to be sure hard water is to inlet.

IMPORTANT: Be sure to fit, align and support all plumbing to prevent putting stress on the water softener valve inlet and outlet. Stress from misaligned or unsupported plumbing may cause damage to the valve.

- If making a soldered copper installation, do all sweat soldering before connecting pipes to the NPT adapters and bypass valve. Torch heat will damage plastic parts.

⚠ WARNING

If solder is used to make pipe connection use only lead free solder and flux to prevent lead poisoning.

- When turning threaded pipe fittings onto plastic fittings, use care not to cross-thread.
 - Use Teflon Tape on all external pipe threads.
- Complete the inlet and outlet plumbing for the type of pipe you will be using. Secure ground clamp to metal pipes.

INSTALLING THE GROUND WIRE

NOTE: If your house plumbing is plastic, it would not be used as a grounding path, and this step should be skipped.

IMPORTANT: A copper or galvanized cold water pipe is often used to ground electrical outlets in the home. **Grounding protects you from electrical shock.** The water softener may have broken this ground path. To restore connection, install a 12"-long, 6-gauge copper wire across and tightly clamp using UL-approved 1/2"-1" bronze grounding clamps at both ends as shown (Figure 12). Zinc clamps should not be used on copper plumbing. Wire and clamps may be purchased separately from your local hardware store.

1. Clean copper pipe and ends of wire with emery paper. Bare wire is recommended. If insulated wire is used, it should be stripped 3/4" at each end before cleaning with emery paper.
2. Attach bronze clamps to pipe. Tighten screws.
3. Attach to clamps as shown. Tighten screws.

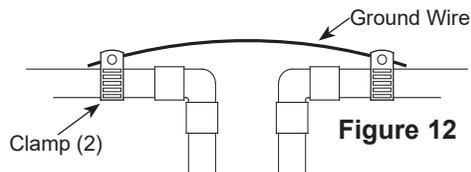


Figure 12

NOTE: If you are installing a sediment filter or other item(s) into the plumbing system, along with the water softener, be sure to restore electrical continuity across all removed metal pipe sections.

Installation Instructions

INSTALL VALVE DRAIN HOSE

1. Measure, cut to needed length and connect the 3/8" drain line (provided) to the water softener valve drain fitting. Use a hose clamp to hold the hose in place.

NOTE: Avoid drain hose runs longer than 30 feet. Avoid elevating the hose more than 8 feet above the floor. Make the valve drain line as short and direct as possible.

IMPORTANT: If codes require a rigid drain line see "Valve Drain requirements" section.

2. Route the drain hose or copper tubing to the floor drain or other suitable drain point. Secure drain hose. This will prevent "whipping" during regenerations. See "Air Gap Requirements" section (Figure 1).

NOTE: The softener will not work if the water cannot exit the drain hose during recharge.

INSTALL BRINE TANK (SALT STORAGE) OVERFLOW HOSE

1. Measure, cut to needed length and connect the 3/8" drain line (provided) to the salt storage tank overflow elbow and secure in place with a hose clamp.
2. Route the hose to the floor drain, or other suitable drain point **no higher** than the drain fitting on the salt storage tank (This is a gravity drain). If the tank overfills with water, the excess water flows to the drain point. Cut the drain line to the desired length and route it neatly out of the way.

IMPORTANT: For proper operation of the water softener, do not connect the water softener valve drain tubing to the salt storage tank overflow hose.

TEST FOR LEAKS

To prevent air pressure in the water softener and plumbing system, complete the following steps in order:

1. Fully open two or more softened cold water faucets close to the water softener, located down stream from the water softener.
2. Place the bypass valve (single or 3 valve) into the "bypass" position. See Figures 4 and 5.
3. Slowly open the main water supply valve. Run water until there is a steady flow from the opened faucets, with no air bubbles.
4. Place bypass valve(s) in "service" or soft water position as follows:
 - Single bypass valve (Figure 4): Slowly move the valve stem toward "service," pausing several times to allow the water softener to fill with water.
 - 3 valve bypass (Figure 5): Fully close the bypass valve and open the outlet valve. Slowly open the inlet valve, pausing several times to allow the water softener to fill with water.
5. After about three minutes, open a hot water faucet until there is a steady flow and there are no air bubbles, then close this faucet.
6. Close all cold water faucets and check for leaks at the plumbing connections that you made.
7. Check for leaks around clips at softener's inlet and outlet. If a leak occurs at a clip, depressurize the plumbing (turn off the water supply and open faucets) before removing clip. When removing clips at the softener's inlet or outlet, push the single bypass valve body toward the softener (See Figure 12). Improper removal may damage clips. Do not reinstall damaged clips.

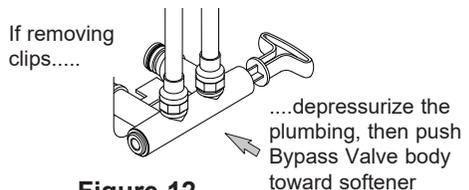


Figure 12

Installation Instructions

ADD WATER AND SALT TO THE SALT STORAGE TANK

⚠ WARNING

EXCESSIVE WEIGHT HAZARD:

Use two or more people to move and lift salt bags. Failure to do so can result in back or other injuries.

1. Using a container, add about three gallons of clean water into the salt storage tank.
2. Add salt to the storage tank. Use nugget, pellet or coarse solar salts with less than 1% impurities.

PLUG IN THE WATER SOFTENER

1. Plug the water softener into an electrical outlet that is not controlled by a switch.
2. Replace the top cover.
3. Replace the salt hole cover.

NOTE: The water heater is filled with hard water and, as hot water is used, it will refill with conditioned water. In a few days, the hot water will be fully conditioned. To have fully conditioned hot water immediately, wait until the initial recharge is over. Then, drain the water heater (following instructions for water heater) until water runs cold.

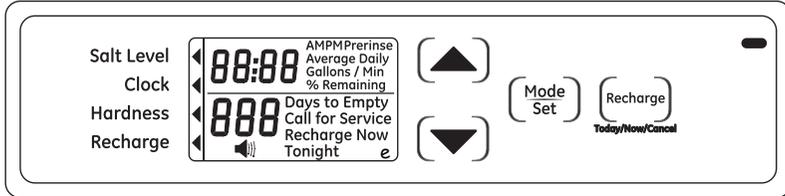
⚠ WARNING

Discard all unused parts and packaging material after installation. Small parts remaining after the installation could be a choke hazard.

SANITIZE THE WATER SOFTENER / SANITIZE AFTER SERVICE

1. Open salt hole cover, remove the brinewell cover and pour about 3 oz. (6 tablespoons) of household bleach into the softener brinewell. Replace the brinewell cover.
2. Make sure the bypass valve(s) is in the "service"(open) position.
3. Start a recharge (regeneration). See "Start a Recharge" on Page 17.
4. After the recharge has completed, fully open a cold water faucet, downstream from the softener, and allow 50 gallons of water to pass through the system. This should take at least 20 minutes. Close the faucet.

Programming the Water Softener



When the transformer is plugged into the electrical outlet, a model code and test number (example: J3.4 & F30) are shown in the display. Then, "12:00 PM" begins to flash. An arrow ◀ is displayed next to **CLOCK** on the face plate decal.

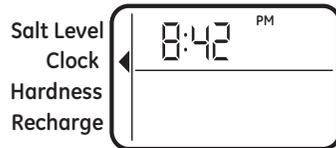
CONTROL OPERATION:

- **CONTROL SETTINGS REQUIRED** upon initial installation and after an extended power outage.
- Use the **MODE/SET** button to scroll arrow to desired control function set.
- After the mode is selected use the UP ▲ and DOWN ▼ buttons to change the settings of the control.
- Press the **MODE/SET** button to accept changes.
- A "beep" sounds while pressing buttons for control programming. One beep signals a change in the control display. Repeated beeps mean the control will not accept a change from the button you have pressed,

and you should select another button.

SET TIME OF DAY

1. Press **MODE/SET** button until the arrow ◀ points to **CLOCK**.
2. Press the UP ▲ or DOWN ▼ buttons to set the present time. UP ▲ moves the display ahead; DOWN ▼ sets the time back. Be sure AM and PM is correct.



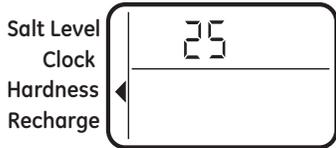
NOTE: Press buttons and quickly release to slowly advance the display one number at a time. Hold the buttons down for fast advance.

3. When the correct time is shown in the display, press **MODE/SET** to accept.

Programming the Water Softener

SET WATER HARDNESS NUMBER

1. Press the **MODE/SET** button until the arrow ◀ points to **HARDNESS**. A flashing 25 will appear in the display.



2. Press the UP ▲ or DOWN ▼ buttons to set your water hardness number.

NOTE: If your water supply contains iron, compensate for it by adding to the water hardness number. For example, assume your water is 20 gpg hard and contains 2 ppm iron. Add 5 to the hardness number for each 1 ppm of iron. In this example, you would use 30 for your hardness number.

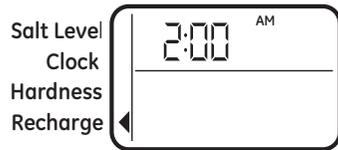
$$20 \text{ gpg hardness} \\ 2 \text{ ppm iron} \times 5 = 10 \quad \frac{+10}{\text{(times)}} \\ \hline 30 \text{ HARDNESS NUMBER}$$

3. When the display shows your water hardness (in grains per gallon), press **MODE/SET** to accept.

You can get the grains per gallon (gpg) hardness of your water supply from a water analysis laboratory. If you are on a municipal supply, call your local water department. Or call Legend Technical Services, an independent laboratory, to request a water hardness test kit at 1.800.949.8220, Option 4. If your report shows hardness in parts per million (ppm) or milligrams per liter (mg/l), simply divide by 17.1 to get the equivalent number of grains per gallon.

SET RECHARGE (STARTING) TIME

1. Press the **MODE/SET** button until the arrow ◀ points to **RECHARGE**.



NOTE: A flashing 2:00 AM (factory default) should show in the display. This is a good time for recharge to start (takes about 2 hours) in most households because water is not in use. HARD WATER is bypassed to house faucets during recharge.

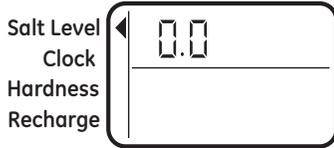
If no change is needed, go to step 3. To Change the recharge starting time, follow step 2.

2. Press UP ▲ or DOWN ▼ button to set the desired recharge start time. Be sure to observe the AM or PM as you did when setting the time of day.
3. Press the **MODE/SET** button to accept.

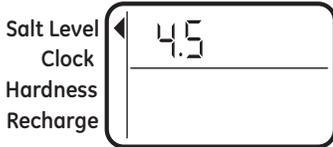
Programming the Water Softener

SET SALT LEVEL

1. Press the **MODE/SET** button until the arrow ◀ points to **SALT LEVEL**.



2. Determine level of salt in brine tank using the numbered scale on side of brine well, inside brine tank (see Figure 13).
3. Press UP ▲ or DOWN ▼ button to set the **SALT LEVEL** to correspond to level on the numbered scale in brine tank.



NOTE: Each press of a button changes the level by increments of 0.5 up to 8.0. Lowering the salt level below zero turns the **SALT LEVEL** indicator OFF.

4. Press the **MODE/SET** button to accept. The display shows the present time of day and **DAYS TO EMPTY**.

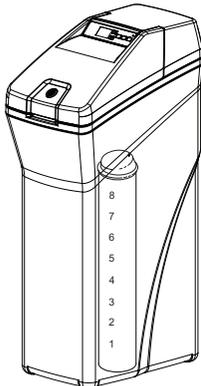


Figure 13

DAYS TO EMPTY

The words **DAYS TO EMPTY** and a number are shown in the lower half of the display. This information is shown



in the normal run display. This is to inform the user of the number of days before the salt level in the brine tank reaches Level 0. There will be salt left in the salt tank, but it may not be sufficient to fully recharge the system. Salt should be added at this time to avoid hard water. The value is updated daily and whenever the **SALT LEVEL** value is changed.

NOTE: For the first several weeks of operation, the **DAYS TO EMPTY** may provide erratic operation. For example, the blue indicator light may flash, showing that more salt is required when the actual salt level in the tank is well above the Level 0. In some cases, the **DAYS TO EMPTY** may even increase over a several week period.

It takes a couple of months for the water softener to learn **your** water usage pattern. Once it does this, it will accurately determine actual salt usage pattern. During this first period, check salt level when blue indicator light flashes. If the salt level in the tank is at Level 1 or above, allow system to run. Be sure to reset your salt level indicator each time you add salt to the system.

START A RECHARGE

Press the **RECHARGE** button and hold for three seconds, until "RECHARGE NOW" begins to flash in the display, starting a recharge. This recharge draws the sanitizing bleach or brine into and through the water softener. Any air remaining in the water softener is purged to the drain. During this time periodically check for leaks.

NOTE: As with all other water system applications, leaks may occur. Leaks may not be immediately apparent. Recheck 24 hours after first recharge cycle is complete.

Programming the Water Softener

OPTIONAL CONTROL SETTINGS

The controller display has several options and features.

LOW SALT ALARM

The **LOW SALT ALARM**, when enabled, will sound the beeper when the **DAYS TO EMPTY** value is 15 days or less. To change this setting, press and hold the **MODE/SET** button for 3 seconds or until you hear a beep. ON (factory default) or OFF will flash in the display. Press the UP ▲ or DOWN ▼ buttons to toggle this feature ON or OFF. Press the **MODE/SET** button to accept, and the display will move to **SALT EFFICIENCY**.



SALT EFFICIENCY

When the **SALT EFFICIENCY** feature is ON, the unit will operate at a salt efficiency of 4000 grains of hardness removed per pound of salt. This mode of operation is the most efficient setting for salt usage, because the system will tend to recharge more often, with less salt usage. Turning the feature OFF will tend to lengthen the time between recharge cycles, which will provide the most efficient usage of water, but may use more salt. The degree of difference between these two cycles is highly dependent on the water usage and hardness at a particular installation.



NOTE: California Regulations require this feature to be ON for installations in California.

To access the **Salt Efficiency**, press and hold the **MODE/SET** button for 3 seconds. The System Diagnostics display will appear.

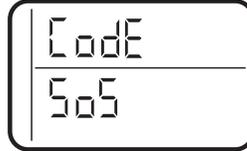
Press the **MODE/SET** button again and the Salt Efficiency display will appear.

To change the setting, press the UP ▲ or DOWN ▼ buttons to toggle the feature ON or OFF. Press the **MODE/SET** button to accept.

RESETTING TO FACTORY DEFAULT

To reset the electronic controller to its factory default for all settings (time, hardness, etc.):

1. Press the **MODE/SET** button and hold until the display changes twice to show the flashing mode code.
2. Press the UP ▲ button to display a flashing "SoS".



3. Press the **MODE/SET** button and the electronic controller will restart.
4. Set the present time, hardness, etc., as described in the Programming the Water Softener section.

Programming the Water Softener

POWER OUTAGE MEMORY

If electrical power to the water softener is lost, “memory” built into the timer circuitry will keep all settings for up to 24 hours. While the power is out, the display is blank and the water softener will not regenerate. When electrical power is restored, the following will occur:

Reset the present time only if the display is flashing. The **HARDNESS** and **RECHARGE TIME** never require resetting unless a change is desired. Even if the clock is incorrect after a long power outage, the softener operates as it should to keep your water soft. However, regenerations may occur at the wrong time of day until you reset the clock to the correct time of day.

NOTE: If the water softener was regenerating when power was lost, it will now finish the cycle.

BLUE INDICATOR LIGHT

Steady blue light indicates that the unit is working correctly. The light flashes when the unit needs attention from the user.

- Light will also flash when power to until has been interrupted. Check the **PRESENT TIME** setting.
- Light flashes and **DAYS TO EMPTY** flashes - check salt level and add salt as required.
- Light flashes and **Err** is in the display - electrical problem with system (see page 25).

LOW SALT SIGNAL

When the **DAYS TO EMPTY** drops to 15, the blue indicator light and **DAYS TO EMPTY** in the display will flash every second and the alarm will beep every 30 seconds (from 8:00 AM to 8:00 PM), to notify the user that the unit is running low on salt. As soon as any button is pressed, the alarm will stop beeping. The blue indicator light and **DAYS TO EMPTY** will continue to flash. Once salt is added to the brine tank and the **SALT LEVEL** is reset, the **DAYS TO EMPTY** will be reset.

ERROR SIGNALS

If there is an error code detected, the blue indicator light will flash 4 times every second, the display will flash **Err**



and the alarm will beep every 30 seconds (from 8:00 AM to 8:00 PM) to signal that the softener requires service. The alarm can be turned off by pressing any button, but the blue indicator light and display will continue to flash.

Disconnect the transformer from the wall outlet momentarily, and plug it back in. The normal display will appear. The motor may run for several minutes, as the unit resets. If the problem is not corrected, the error code will reappear in 8 minutes. See the Before you Call for Service section to assist in troubleshooting the water softener.

Care and Cleaning

CHECKING THE SALT STORAGE LEVEL and REFILL

Brine (salt dissolved in water) is needed for each and every recharge. The water for making brine is metered into the salt storage area by the water softening system valve and control. **However, you must keep the tank supplied with salt.**

ADDING SALT

Lift the salt hole cover and check the salt storage level frequently. If the water softener uses all the salt before you refill it, you will experience hard water. Until you have established a refilling routine, check the salt every two or three weeks. Always add if less than 1/4 full. Be sure the brinewell cover is on.

NOTE: if using potassium chloride (KCl), do not fill above level 4 on the brinewell decal.

NOTE: In humid areas, it is best to keep the salt storage level lower, and to refill more often to avoid salt “bridging”.

Recommended Salt: Nugget, pellet or coarse solar salts with less than 1% impurities.

Salt Not Recommended: Rock salt, high in impurities, block, granulated table, ice melting, ice cream making salts, etc.

CAUTION

Water softening salt with iron removing additives:

Some salts may have an additive to help the water softening system handle iron in the water supply. Although this additive may help to keep the water softening system resin clean, it may also release corrosive fumes that weaken and shorten the life of some water softening system parts.

CLEANING IRON OUT OF THE WATER SOFTENING SYSTEM

Your water softening system takes hardness minerals (calcium and magnesium) out of the water. Also, it can control some (see the Specification Guidelines section) “clear water” iron. With clear water iron, water from a faucet is clear when first put into a glass. After 15 to 30 minutes, the water begins to cloud or turn rust colored. A water softening system **will not** remove any iron that makes the water cloudy or rusty as it comes from the faucet (called red water iron). To take red water iron out of water, or over the maximum of clear water iron, an iron filter or other equipment is needed.

GE Appliances recommends using **Super Iron Out®** to clean your resin bed if your iron content is high. Use **Super Iron Out®** with every 40lb. bag of salt as preventative maintenance against rust build up. Clean the bed at least every six months, or more often if iron appears in the soft water between cleanings.

IMPORTANT: It is important to mix the resin bed cleaner with water (following the manufacturer’s instructions), pour it into the **brinewell** (see Figure 9) and recharge the softener immediately. Do not pour the resin bed cleaner in with the salt, as it will not be as effective in cleaning the resin, and can cause damage to the softener if it is left in the brine tank for an extended period due to the corrosive gases that are formed.

Routine Maintenance

CLEANING THE NOZZLE AND VENTURI ASSEMBLY

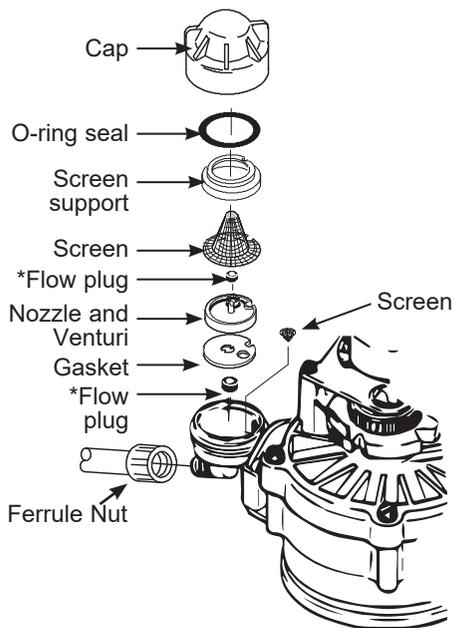
A clean nozzle and venturi is needed for the water softening system to work properly.

This small unit makes the suction to move brine from the salt storage area to the resin tank during recharge. If it becomes plugged with sand, dirt, etc., the water softening system will not work and you will get hard water.

To get to the nozzle and venturi, remove the water softening system top cover. Be sure the water softening system is in service cycle (no water pressure at nozzle and venturi). Then, while holding the nozzle and venturi housing with one hand, remove the cap. Lift out the screen support and screen, then the nozzle and venturi. Wash and rinse the parts in warm water until clean. If needed, use a small brush to remove iron or dirt. Also check and clean the gasket.

NOTE: Some models have a small flow plug located in the nozzle and venturi, and/or a small cone shaped screen in the housing. Be sure to check and clean these parts, if your model is so equipped.

Carefully replace all parts in the correct order. Lightly lubricate the o-ring seal with clean silicone grease or petroleum jelly and place in position. **Install and tighten the cap, by hand only. Do not overtighten the cap.**



IMPORTANT: Be sure small holes in the gasket are centered directly over the small holes in the nozzle and venturi housing.

*Install with numbered side up, concave side down.

Routine Maintenance

BREAKING A SALT BRIDGE

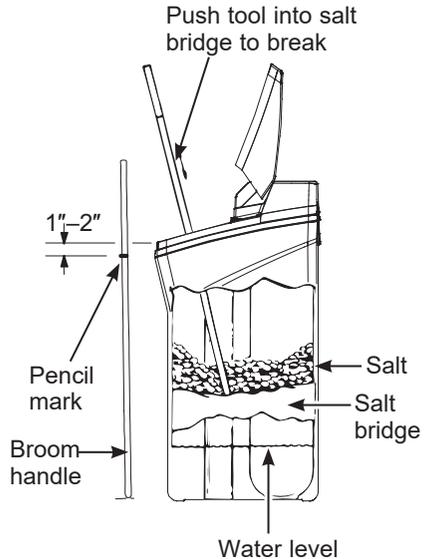
Sometimes, a hard crust or salt bridge forms in the salt storage area. It is usually caused by high humidity or the wrong kind of salt.

When the salt bridges, an empty space forms between the water and salt. Then salt will not dissolve in the water to make brine.

If the brine tank is full of salt, it is hard to tell if you have a salt bridge. Salt is loose on top, but the bridge is under it. The following is the best way to check for a salt bridge.

Salt should be loose all the way to the bottom of the tank. Take a broom handle or like tool, and carefully push it down into the salt, working it up and down. If the tool strikes a hard object (be sure it's not the bottom or sides of the tank), it's most likely a salt bridge. Carefully break the bridge with the tool. **Do not** pound on the walls of the tank. To help dissolve the salt bridge pour one gallon of warm water (not hot) into the tank.

If the wrong kind of salt made the bridge, take it out. Then fill the tank with nugget or pellet salt only. In humid areas, it is best to fill with less salt, more often to prevent a salt bridge from forming.



Before you call for service

Troubleshooting Tips

Save time and money! Review the chart on this page first and you may not need to call for service.

NO SOFT WATER – Most Common Problems:

Check the following before calling for service:

- Not enough salt—should be at least 1/3 full.
- Bypass valve in “Bypass” position—handle should be in the “OUT” (service) position.
- Hardness setting too low. Check hardness setting and adjust. Verify hardness of supply water—from local water company, water test or call the GE Appliances Answer Center (800-952-5039 in US).
- Salt Bridge—salt solidifies above water level so that brine water is not in contact with salt. See the Breaking a Salt Bridge section.

Problem	Possible Cause	What to do
No soft water	Faucet or fixture where sample was taken not plumbed to soft water. NOTE: Be sure sample is from a faucet that does not mix soft and hard water. For example, a single lever kitchen faucet, if the cold side is plumbed to hard water.	<ul style="list-style-type: none">• To conserve salt, the installer may have isolated some fixtures (outside faucets, toilets, etc.) from soft water. From the outlet of the water softening system, trace the water flow path, in house plumbing. If soft water is not directed to a faucet or fixture where wanted, consult a plumber.
	No salt in the brine tank or salt bridged	<ul style="list-style-type: none">• Check for a salt bridge or, if the tank is empty, refill with recommended salt. Press (for 3 seconds) the RECHARGE button to start an immediate recharge and restore soft water supply.
	External power supply unplugged at wall outlet or power cable to softener not connected. Fuse blown or circuit breaker popped on circuit to electrical outlet. Electrical outlet on a circuit that can continuously be switched off	<ul style="list-style-type: none">• Check for a loss of electrical power to the water softening system, due to any of these conditions and correct as needed. With the power supply restored, observe the faceplate time display and read Programming the Control section. NOTE: the electrical outlet for the softener should be live so it cannot be accidentally switched off.
	Manual bypass valve in bypass position	<ul style="list-style-type: none">• Be sure the bypass valve stem is positioned properly, with the handle in the OUT position.
	Valve drain hose pinched, plugged, elevated too high or otherwise restricted	<ul style="list-style-type: none">• Any restriction in the drain hose may prevent proper operation of the nozzle and venturi and reduce or prevent brine draw during recharge..
	Nozzle and venturi dirty, incorrectly assembled or damaged	<ul style="list-style-type: none">• Refer to Cleaning the Nozzle and Venturi Assembly instructions. With water pressure to the water softening system off, take the nozzle assembly apart. Inspect, clean and replace as needed. Any foreign particle(s), scratches, nicks, etc. in the passages can prevent operation. Be sure holes in the gasket are centred over holes in the housing.

Before you call for service

Problem	Possible Cause	What to do
Water hard sometimes	Using hot water while the water softening system is regenerating	<ul style="list-style-type: none"> • Avoid using hot water during water softening system recharge because the water heater will refill with hard water. See Automatic Hard Water Bypass During Recharge section.
	Control HARDNESS number setting too low	<ul style="list-style-type: none"> • Press MODE/SET button until arrow points to HARDNESS. Be sure the number shown is the same as the actual grains per gallon hardness of your water supply. See Programming the Control section if a change in setting is needed.
	Grains of hardness in your water supply have increased	<ul style="list-style-type: none"> • Water hardness can change over time, especially in well water. To check, have the water tested by a water analysis laboratory or call your local water department. Adjust the Hardness number setting as needed.
Water feels slippery after installation of water softener	Absence of hardness minerals	<ul style="list-style-type: none"> • This is normal. Hardness in water gives it the abrasive feel you may have been accustomed to. The slippery feel is the clean feel of soft water..
Water Softener not using any salt	Water softening system is a “demand” unit	<ul style="list-style-type: none"> • Does not use much salt to regenerate - very efficient.
	Possible salt bridge	<ul style="list-style-type: none"> • See the <i>Breaking a Salt Bridge section</i>.
	Possible plugged nozzle and venturi	<ul style="list-style-type: none"> • See the <i>Cleaning the Nozzle and Venturi Assembly section</i>.
Water is blue color after water softener was installed	Acidic water in copper plumbing	<ul style="list-style-type: none"> • Have the water tested at once.
Water softener not regenerating	Meter turbine stuck	<ul style="list-style-type: none"> • See the Manually Initiated Electronics Diagnostics section for troubleshooting procedures . • Call for service.
	Sensor wire not plugged into the control	<ul style="list-style-type: none"> • See the Manually Initiated Electronics Diagnostics section for troubleshooting procedures . • Call for service
	No power to unit	<ul style="list-style-type: none"> • Check the circuit breaker or fuses.
	Mechanical defect	<ul style="list-style-type: none"> • Call for service.
Cloudiness on glassware (automatic dishwashers)	Combination of soft water and too much detergent	<ul style="list-style-type: none"> • This is called etching and is permanent. To prevent this from happening, use less detergent if you have soft water. Wash glassware in the shortest cycle that will get them clean.

Before you call for service

Problem	Possible Cause	What to do
Excessive/high level of water in brine tank	Valve drain hose pinched, plugged, elevated too high or otherwise restricted	<ul style="list-style-type: none"> A restriction in this drain hose may prevent proper operation of the nozzle and venturi and reduce or prevent brine draw during recharge.
	Drain lines connected together	<ul style="list-style-type: none"> Separate drain lines.
	Nozzle and venturi dirty, incorrectly assembled or damaged.	<ul style="list-style-type: none"> Refer to Cleaning the Nozzle and Venturi Assembly instructions. With water pressure to the water softening system off, take the nozzle assembly apart. Inspect, clean and replace as needed. Any foreign particle(s), scratches, nicks, etc. in the passages can prevent operation. Be sure holes in the gasket are centred over holes in the housing
Salty tasting or brown/yellow colored water after installation	Unit not sanitized	<ul style="list-style-type: none"> Complete Sanitization Procedures. At completion of recharge cycle (approx. 2 hours), run water from faucets to purge the salty water.
	Low water pressure	Check pressure: <ul style="list-style-type: none"> Drain height 8' or less, pressure should be minimum 20 psi. Drain height above 8', pressure should be minimum 50 psi.
	Restricted drain hose	<ul style="list-style-type: none"> Clean and reconnect hose. Check for kinks in drain line
Brown/yellow colored water	Unit was idle for a period of time	<ul style="list-style-type: none"> Complete the Sanitization Procedures.
Resin beads showing up in drinking water	Cracked distributor or unit plumbed backwards	<ul style="list-style-type: none"> Call for service.
Sounds you might hear	Running water from the unit into a drain during recharge	<ul style="list-style-type: none"> This is normal.
Water has air bubbles and is cloudy	Air in system after installation	<ul style="list-style-type: none"> Will go away after it runs for a while.
Blue light Flashing		
When power applied to the system	Control needs to be programmed (a power outage may have occurred)	<ul style="list-style-type: none"> See the Programming the Control section.
If "DAYS TO EMPTY" is flashing	Low salt level, less than 15 days	<ul style="list-style-type: none"> Fill with salt. Reset salt level.

Before you call for service

Problem	Possible Cause	What to do
Error Codes on Control	Wiring may have worked loose in the control	<ul style="list-style-type: none"> • Unplug external power supply. • Remove control cover, release clips on side. • Check for loose/incorrect wiring connections to electronic board or switch. Reconnect as required. • Reassemble control cover. • Plug in Transformer. • Wait 8 minutes for Error Code to reappear. • If error Code reappears, call for service.
If "Err" in display	Electrical problem with system	<ul style="list-style-type: none"> • Call for service.

Advanced troubleshooting for service

AUTOMATIC ELECTRONIC DIAGNOSTICS

This water softener has a self-diagnostic function for the electrical system (except into power and/or water meter). The water softener monitors electronic components and circuits for correct operation. If a malfunction occurs, an error code appears in the display.



Figure 14

While an error code appears in the display, all buttons are inoperable except the **MODE/SET** button. **MODE/SET** remains operational so the service person can perform the Manual Advanced Diagnostics, see below, to further isolate the problem.

Procedure for removing error code from display:

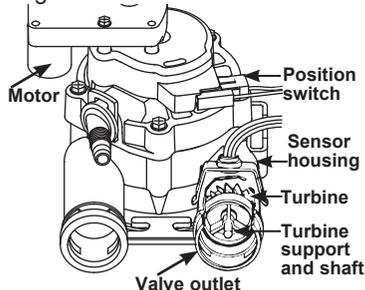
1. Unplug transformer from electrical outlet.
2. Correct problem.
3. Plug in transformer.
4. Wait 8 minutes. The error code will return if the problem was not corrected.

MANUAL INITIATED ELECTRONIC DIAGNOSTICS

Use the following procedures to advance the water softener through the regeneration cycles to check operation.

Lift off the Salt Hole Cover, remove the top cover by unlocking the tabs in the back and rocking forward, to observe cam and switch operation during valve rotation.

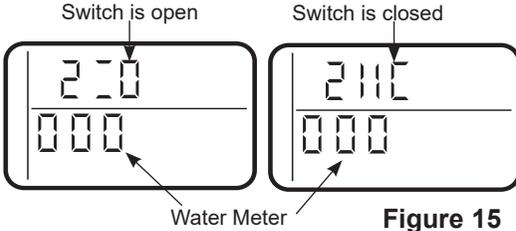
1. Press and hold **MODE/SET** for 3 seconds until the Set low salt alarm display appears, next press the **MODE/SET** button two additional times until "000" shows in the display, then release, see Figure 15.
2. The 3 digits indicated water meter operation as follows: If you don't get a reading on the display, with faucet open, pull the sensor from the valve outlet port. Pass a small magnet back and forth in front of the sensor. You should get a reading in the display. If you get a reading, shut off water supply, unhook the in and out plumbing and check the turbine for binding.



Advanced troubleshooting for service

MANUAL INITIATED ELECTRONIC DIAGNOSTICS (Cont.)

3. Symbols in the display indicate POSITION switch operation, see Figure 15



4. Use **RECHARGE** button to manually advance the valve into each cycle and check correct switch operation. **NOTE:** Be sure water is in contact with salt, and not separated by a salt bridge (see Breaking a Salt Bridge section).
5. While in this diagnostic screen, the following information is available and may be beneficial for various reasons. This information is retained by the computer from the first time electrical power is applied to the electronic controller.
- Press the ▲ UP button to display the number of days this electronic control has had electrical power applied.
 - Press the ▼ DOWN button to display the number of regenerations initiated by the electronic control since the code number was entered.

6. Press and hold the **MODE/SET** button until the mode code (F30 for GXSH30V) shows in the display. This code identifies the softener mode. If an incorrect model code is displayed, the softener will operate on incorrect configurations data.



7. To change the code number, press the ▲ UP or ▼ DOWN button until the correct code shows.
8. To return to the present time display, press the **MODE/SET** button.
9. Press the **MODE/SET** button to return to the present time display. If the code was changed, make all the timer setting. **NOTE:** If the control is left in a diagnostic display or a flashing display when setting times or hardness, present time automatically returns if a button is not pressed within four minutes.

Advanced troubleshooting for service

Service: Manually Advance Recharge Check

NOTE: The control display must show a steady time (not flashing).

1. Press the **RECHARGE** button and hold in for three seconds. **RECHARGE NOW** begins to flash as the water softening system enters the fill cycle of recharge. Remove the brinewell cover and, using a flashlight, observe fill water entering the brine tank. If water does not enter the tank, look for an obstructed nozzle, venturi, fill flow plug or brine tubing. See Care and Cleaning of the Water Softener System section.
2. After observing fill, press the **RECHARGE** button to move the water softening system into brining. A slow flow of water to the drain will begin. Verify brine draw from the brine tank by shining a flashlight into the brinewell and observing a noticeable drop in the liquid level over an extended period of time (15 to 20 minutes).

NOTE: Be sure a salt bridge is not preventing water from contacting salt. See Care and cleaning of the water softening system section.

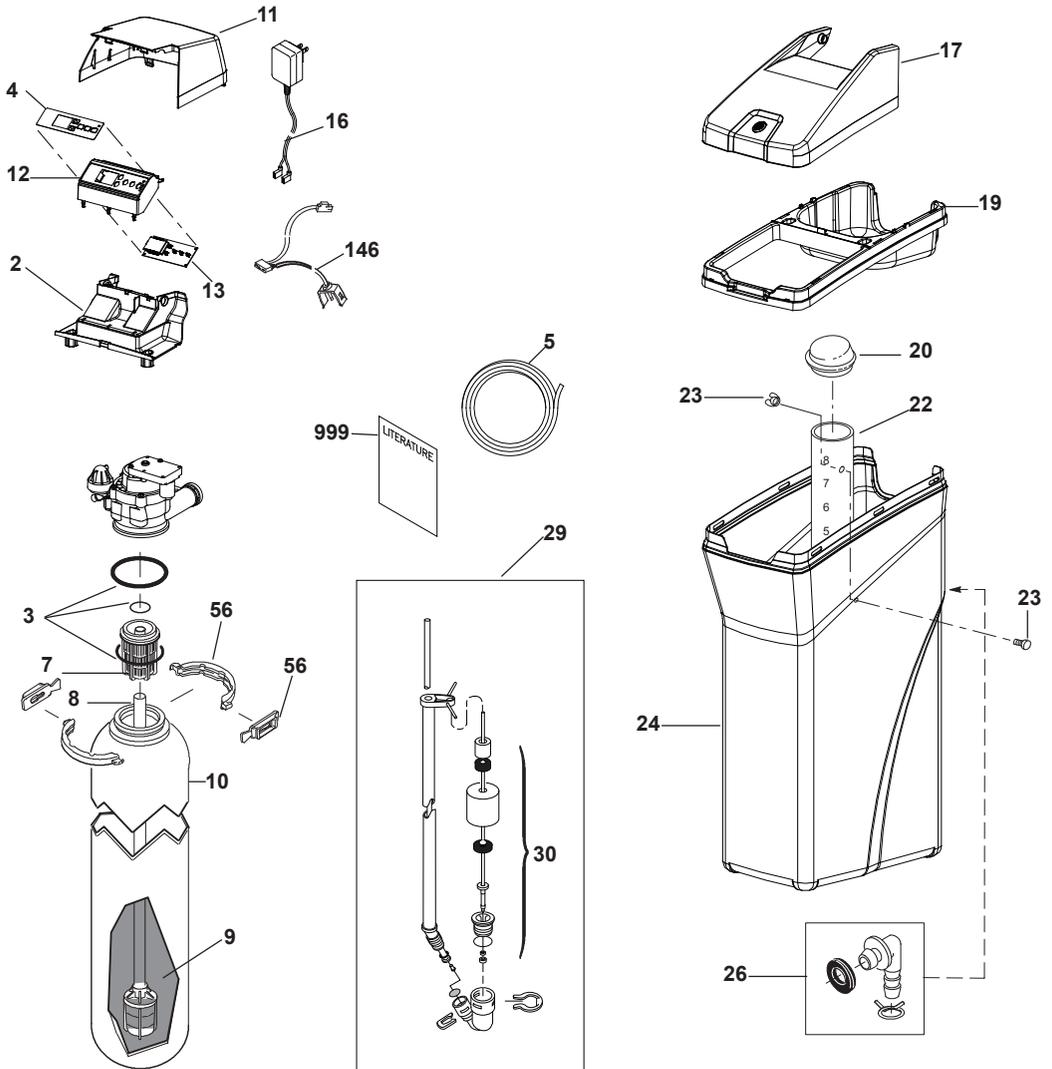
If the water softening system does not draw brine, check:

- nozzle and/or venturi dirty or defective.
- defective nozzle and venturi seal.
- nozzle and venturi not seated properly on gasket.
- other inner valve defect (rotor seal, rotor and disc, wave washer, etc.).
- restricted drain (check drain fitting and hose).

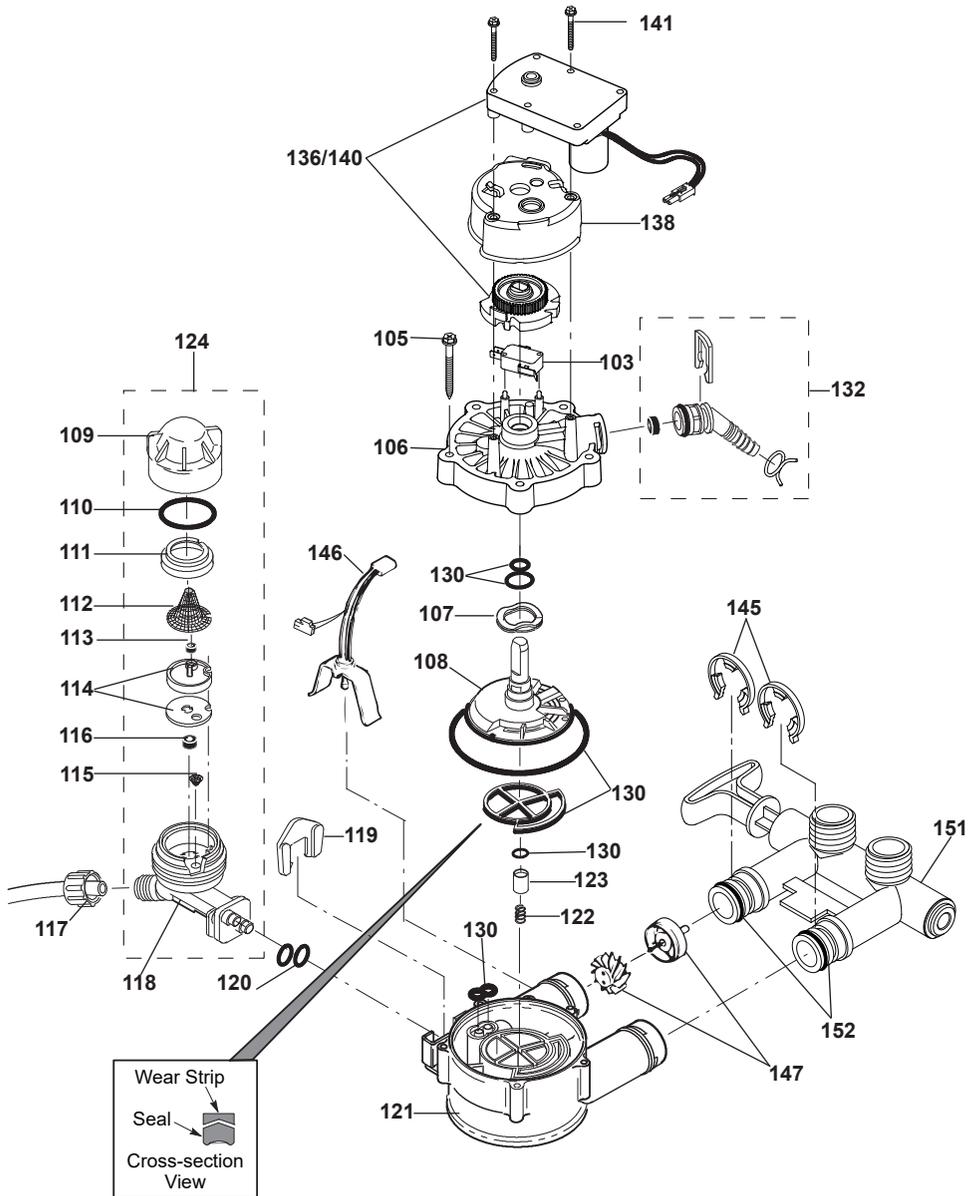
NOTE: If water system pressure is low, an elevated drain hose may cause back pressure, stopping brine draw.

3. Again, press the **RECHARGE** button to move the water softening system into backwash. Look for a fast flow of water from the drain hose. A slow flow indicates a plugged top distributor, backwash flow plug or drain hose.
4. Press the **RECHARGE** button to move the water softening system into fast rinse. Again look for a fast drain flow. Allow the water softening system to rinse for a few minutes to flush out any brine that may remain in the resin tank from the brining cycle test.
5. To return the water softening system to service, press the **RECHARGE** button.

Exploded View



Exploded View



Parts List

GXS F30V	REF. NO.	PART NO.	PART DESCRIPTION	(01)
	0002	WS31X10051	BACK COVER, ELECTRONICS	1
	0003	WS35X10001	O-RING SEAL KIT	1
	0004	WS34X10020	DECAL, FACEPLATE	1
	0005	WS07X10004	HOSE, DRAIN, 20 FT.	1
	0007	WS14X10002	DISTRIBUTOR, TOP	1
	0008	WS14X10005	DISTRIBUTOR, BOTTOM	1
	0009	WS01X10002	RESIN, 1 CU. FT.	1
	0010	WS32X10030	TANK, RESIN, 9 X 35	1
	0011	WS31X10052	COVER, TOP	1
	0012	WS34X10021	FACEPLATE	1
	0013	WS21X10053	CONTROL	1
	0016	WS26X10013	EXTERNAL POWER SUPPLY WITH POWER CORD	1
	0017	WS31X10053	COVER, SALT HOLE, WITH LABEL	1
	0019	WS33X10010	RIM	1
	0020	WS31X10024	COVER, BRINEWELL	1
	0022	WS34X10025	BRINEWELL	1
	0023	WS02X10088	SCREW KIT, BRINE TANK	1
	0024	WS32X10031	TANK, BRINE	1
	0026	WS22X10063	OVERFLOW ADAPTER KIT	1
	0029	WS15X10077	BRINE VALVE ASM.	1
	0030	WS35X10063	FLOAT, STEM & GUIDE	1
	0056	WS28X10078	TANK NECK CLAMP KIT	1
	0103	WS21X10003	SWITCH	1
	0105	WS02X10014	SCREW, #10 - 14 x 2"	5
	0106	WS31X20060	COVER, VALVE	1
	0107	WS03X10010	WASHER WAVE	1
	0108	WS26X10002	ROTOR & DISC ASM.	1
	0109	WS19X10010	CAP	1
	0110	WS03X10011	SEAL, O-RING 1.125 X 1.37	1
	0111	WS19X10005	SUPPORT SCREEN	1
	0112	WS03X10013	SCREEN	1
	0113	WS22X10036	FLOW PLUG, .15 GPM	1
	0114	WS08X10008	GASKET, NOZZLE/VENT	1
	0115	WS03X10073	SCREEN CONE	1
	0116	WS22X10021	PLUG, FILL FLOW, .30 GPM	1
	0117	WS03X10017	NUT FERRULE	1
	0118	WS15X10034	NOZZLE/VENTURI BODY	1
	0119	WS03X10018	RETAINER	1
	0120	WS03X10019	SEAL, O-RING, 1/4" X 3/8"	2
	0121	WS15X10010	BODY, VALVE	1
	0122	WS03X10020	SPRING	1
	0123	WS22X10022	PLUG, DRAIN SEAL	1
	0124	WS15X10046	NOZZLE/VENTURI ASM.	1
	0130	WS35X10005	SEAL KIT	1
	0132	WS22X10064	DRAIN HOSE ADAPTER KIT	1
	0136/140	WS26X21822	MOTOR, CAM & GEAR KIT, 3/4"	1
	0138	WS26X20061	MOTOR MOUNT	1
	0141	WS02X20063	SCREW, #6-19 x 1-3/8"	2
	0143	WS60X10013	ADAPTER—NPT THREADED—STD VALVE	2
	0145	WS60X10004	CLIP	4
	0146	WS28X10017	HARNESS WIRE, SENSOR ASSY	1
	0147	WS19X10006	TURBINE & SUPPORT ASM.*	1
	0151	WS15X21823	BYPASS VALVE ASM.*	1
	0152	WS03X10025	SEAL, O-RING	4
	0998	WS35X10064	INSTALLATION KIT	1
	0999	49-50282-8	OWNER'S MANUAL	1

* Includes 2 each of REF. NO. 152 (O-RING)

Water Softening System Limited Warranty (For Customers in the U.S.)

All warranty service provided by our Factory Service Centers or an authorized technician. For service, call toll free 1-800-952-5039. Please have serial number and model number available when calling for service.

For The Period Of:	We Will Replace:
One Year From the date of the original purchase	Any part of the Water Softening System which fails due to defect in materials or workmanship. During this limited one-year warranty , GE Appliances will also provide, free of charge , all labor and related service to replace the defective part.
Three Years From the date of the original purchase	The electronic monitor , if it fails due to a defect in materials or workmanship. During this three-year limited warranty , you will be responsible for any labor or related service cost.
Ten Years From the date of the original purchase	A replacement resin tank , if it fails due to defect in materials or workmanship. During this ten-year limited warranty , you will be responsible for any labor or related service costs.

What Is Not Covered:

- **Service trips to your home to teach you how to use the product.**
- **Improper installation, delivery or maintenance.**
- **Failure of the product if it is abused, misused, altered, used commercially or used for other than the intended purpose.**
- **Use of this product where water is microbiologically unsafe or of unknown quality, without adequate disinfection before or after the system.**
- **Replacement of house fuses or resetting of circuit breakers.**
- **Damage to the product caused by accident, fire, floods or acts of God.**
- **Incidental or consequential damage caused by possible defects with this appliance, its installation or repair.**
- **Product not accessible to provide required service.**
- **If this appliance is used for other than private family use, the parts, electronic monitor, and resin tank warranty applies for only 90 days from the date of purchase.**

EXCLUSION OF IMPLIED WARRANTIES—Your sole and exclusive remedy is product repair as provided in this Limited Warranty. Any implied warranties, including the implied warranties of merchantability or fitness for a particular purpose, are limited to one year or the shortest period allowed by law.

This limited warranty is extended to the original purchaser for products purchased for home use within the USA. If the product is located in an area where service by a GE Appliances Authorized Servicer is not available, you may be responsible for a trip charge or you may be required to bring the product to an Authorized GE Appliances Service location for service. In Alaska, the limited warranty excludes the cost of shipping or service calls to your home.

Some states do not allow the exclusion or limitation of incidental or consequential damages. This limited warranty gives you specific legal rights, and you may also have other rights which vary from state to state. To know what your legal rights are, consult your local or state consumer affairs office or your state's Attorney General.

Warrantor: GE Appliances, a Haier company, Louisville, KY 40225

Water Softening System Limited Warranty (For Customers in the Canada)

All warranty service provided by our Factory Service Centers or an authorized technician. For service, call toll free 1-866-777-7627. Please have serial number and model number available when calling for service.

For The Period Of:	We Will Replace:
One Year From the date of the original purchase	Any part of the Water Softening System which fails due to defect in materials or workmanship. During this limited one-year warranty , GE Appliances will also provide, free of charge , all labor and related service to replace the defective part.
Three Years From the date of the original purchase	The electronic monitor , if it fails due to a defect in materials or workmanship. During this three-year limited warranty , you will be responsible for any labor or related service cost.
Ten Years From the date of the original purchase	A replacement resin tank , if it fails due to defect in materials or workmanship. During this ten-year limited warranty , you will be responsible for any labor or related service costs.

What Is Not Covered:

- Service trips to your home to teach you how to use the product.
- Improper installation, delivery or maintenance.
- Failure of the product if it is abused, misused, altered, used commercially or used for other than the intended purpose.
- Use of this product where water is microbiologically unsafe or of unknown quality, without adequate disinfection before or after the system.
- Replacement of house fuses or resetting of circuit breakers.
- Damage to the product caused by accident, fire, floods or acts of God.
- Incidental or consequential damage caused by possible defects with this appliance, its installation or repair.
- Product not accessible to provide required service.
- If this appliance is used for other than private family use, the parts, electronic monitor, and resin tank warranty applies for only 90 days from the date of purchase.

EXCLUSION OF IMPLIED WARRANTIES—Your sole and exclusive remedy is product repair as provided in this Limited Warranty. Any implied warranties, including the implied warranties of merchantability or fitness for a particular purpose, are limited to one year or the shortest period allowed by law.

This limited warranty is extended to the original purchaser for products purchased for home use within Canada. In-home warranty service will be provided in areas where it is available and deemed reasonable by Mabe to provide.

WARRANTOR IS NOT RESPONSIBLE FOR CONSEQUENTIAL DAMAGES.

Warrantor: MABE CANADA INC.

For Iowa Use Only

FOR IOWA USE ONLY

All sales in Iowa require the following signature before consummation of sale. These signatures must be retained by seller/renter for 2 years minimum.

Buyer/Renter _____ Date _____

Seller _____ Date _____

Seller's Address _____

Seller's Phone No. _____

Model GXSF30V

Consumer Support

GE Appliances Website

Have a question or need assistance with your appliance? Try the GE Appliances Website 24 hours a day, any day of the year! You can also shop for more great GE Appliances products and take advantage of all our on-line support services designed for your convenience.

In the US: **GEAppliances.com**

Register Your Appliance

Register your new appliance on-line at your convenience! Timely product registration will allow for enhanced communication and prompt service under the terms of your warranty, should the need arise. You may also mail in the pre-printed registration card included in the packing material.

In the US: **GEAppliances.com/register**

Schedule Service

Expert GE Appliances repair service is only one step away from your door. Get on-line and schedule your service at your convenience any day of the year.

In the US: **GEAppliances.com/service** or call 800.432.2737 during normal business hours.

Extended Warranties

Purchase a GE Appliances extended warranty and learn about special discounts that are available while your warranty is still in effect. You can purchase it on-line anytime. GE Appliances Services will still be there after your warranty expires. In the US: **GEAppliances.com/extended-warranty** or call 800.626.2224 during normal business hours.

Parts and Accessories

Individuals qualified to service their own appliances can have parts or accessories sent directly to their homes (VISA, MasterCard and Discover cards are accepted). Order on-line today 24 hours every day. In the US: **GEApplianceparts.com** or by phone at 877.959.8688 during normal business hours.

Instructions contained in this manual cover procedures to be performed by any user. Other servicing generally should be referred to qualified service personnel. Caution must be exercised, since improper servicing may cause unsafe operation.

Contact Us

If you are not satisfied with the service you receive from GE Appliances, contact us on our Website with all the details including your phone number, or write to:

In the US: General Manager, Customer Relations | GE Appliances, Appliance Park | Louisville, KY 40225

GEAppliances.com/contact

Información sobre Seguridad . . .	38
Especificaciones y Dimensiones	39
Acerca del Suavizante	40
Antes de Comenzar	43
Requisitos de Instalación	44
Instrucciones de Instalación	47
Programación del Suavizante . .	52
Cuidado y Limpieza	57
Rutina de Mantenimiento	58
Antes de solicitar el servicio técnico	60
Vista Ampliada/ Listado de Piezas	66
Garantía (EE.UU.)	69
Garantía (Canadá)	70
Soporte para el Consumidor . . .	72



Sistemas evaluados y certificados por NSF International contra NSF/ANSI Estándar 44 para los reclamos sobre reducción de químicos especificados en la página 39, y certificados para NSF/ANSI 372.



Sistema probado y certificado por Water Quality Association en cumplimiento con CSA B483.1.

Ante cualquier duda o preocupación sobre la instalación y mantenimiento del suavizante de agua, comuníquese a nuestro número gratuito al 800-952-5039 (US) o 866-777-7627 (Canadá), o visite geappliances.com. Al llamar, tenga a mano los números de modelo y de serie de su producto. Esta información se puede encontrar en la calcomanía de calificación ubicada en el borde debajo de la tapa de la sal.

INFORMACIÓN IMPORTANTE DE SEGURIDAD. LEA TODAS LAS INSTRUCCIONES ANTES DEL USO

PRECAUCIONES DE SEGURIDAD

⚠️ ADVERTENCIA

Por su seguridad, se debe seguir la información en este manual con el fin de reducir el riesgo de una descarga eléctrica, daños a la propiedad o daños personales.

⚠️ ADVERTENCIA

Una tubería de cobre o galvanizada de agua fría podría usarse para conectar a tierra los tomacorrientes eléctricos en la casa. No mantener esta conexión a tierra podría resultar en descargas eléctricas peligrosas. Si la tubería de agua fría es usada para conectar a tierra los tomacorrientes, por favor refiérase a la sección de *Cómo instalar el cable a tierra* antes de cortar la tubería.

- Revise y cumpla con todos los códigos estatales y locales. Observe las pautas aquí presentadas.
- Tenga cuidado al manipular el sistema de descalcificación de agua. No lo voltee, deje caer, arrastre o coloque en protuberancias extremas.
- Los sistemas de descalcificación de agua que utilicen cloruro de sodio (sal) para la recarga agregan sodio al agua. Las personas que siguen dietas con restricciones de sodio deben considerar el sodio adicional como parte de su consumo general. El cloruro de potasio puede servir como una alternativa para el cloruro de sodio de su descalcificador.
- Use sólo soldadoras y fundiciones libres de plomo y para todas las conexiones con estaño, de acuerdo con lo requerido por los códigos estatales y federales.
- Este sistema suavizante de agua se deberá instalar y ubicar de acuerdo con las Instrucciones de Instalación antes de ser usado.

⚠️ ADVERTENCIA

No usar con agua que no sea segura a nivel microbiológico o que sea de calidad desconocida sin una desinfección adecuada, antes o después, del sistema.

In the state of California: You must turn the Salt Efficiency Feature setting to ON. This may initiate more frequent recharges. However it will operate at 4,000 grains per pound of salt or higher. To turn on the Salt Efficiency Feature, follow the instructions in the "Salt Saver" section of this manual

⚠️ ADVERTENCIA

Descarte todas las piezas sin uso y materiales de embalaje luego de la instalación. Las pequeñas partes restantes luego de la instalación podrían ocasionar riesgo de obstrucción.

- El sistema de descalcificación de agua funciona solamente con 24 voltios-60 Hz. Cerciórese de usar exclusivamente el transformador incluido.
- El transformador se debe conectar únicamente a un tomacorriente interior con conexión a tierra de 120 voltios.
- Utilice únicamente sales para descalcificación del agua, al menos con 99,5% de pureza. Se recomiendan las sales en PEPITAS, BOLITAS o SAL GRUESA SOLAR. No utilice sales en roca, bloque, granuladas o sales para la elaboración de helados. Éstas pueden contener suciedad y sedimentos, o pasta y masa y podrían crear problemas de mantenimiento.
- Mantenga la tapa del orificio de la sal en su lugar en el descalcificador a menos que esté realizando mantenimiento o reponiendo la sal. Estos tipos de sales pueden contener suciedad y sedimentos que pueden crear empaste o apelmazamiento, creando problemas de mantenimiento para el ablandador de agua.
- Evite instalar directamente en contacto con la luz solar. El exceso de calor solar puede ocasionar distorsión y otros daños sobre partes no metálicas.
- Si el ablandador de agua es instalado al aire libre, no lo coloque en una ubicación donde esté expuesto a climas húmedos, en contacto directo con la luz solar, temperaturas extremas de calor o frío, u otras formas de abuso

In the Commonwealth of Massachusetts, Plumbing Code 248 CMR shall be adhered to. Consult with your licensed plumber.

LEA Y GUARDE ESTAS INSTRUCCIONES

Reclamos por Especificaciones y Funcionamiento

Este modelo cuenta con una calificación de eficiencia. El índice de eficiencia es válido sólo con la dosis de sal mínima indicada. El suavizante cuenta con la función de regeneración de demanda iniciada (demand initiated regeneration, D.I.R.), que cumple con las especificaciones de funcionamiento para minimizar la cantidad de salmuera regenerante y agua usada en esta operación.

El suavizante cuenta con una eficacia de la sal evaluada de no menos de 4,000 granos del total de intercambio de dureza por libra de sal (en base al cloruro de sodio), y no brindará más sal que la evaluada ni será operado en un índice de flujo de servicio máximo sostenido superior al evaluado. Se probó que este suavizante brinda agua suave durante por lo menos diez minutos en forma continua en el índice de flujo de servicio evaluado. La eficacia de la sal evaluada es medida por evaluaciones de laboratorio descriptas en el Estándar 44 de NSF/ANSI. Estas evaluaciones representan el máximo nivel de eficacia posible que el sistema puede alcanzar. La eficacia operativa es la eficacia real luego de que el sistema fue instalado. Es típicamente inferior a la eficacia, debido a los factores de aplicación individual que incluyen la dureza del agua, el uso del agua, y otros contaminantes que reducen la capacidad del suavizante.

Especificaciones	
Modelo	GXSF30V
Capacidad Evaluada* (Granos por Dosis de Sal)	12,000 @ 2.5 lbs 25,400 @ 7.9 lbs. 30,400 @ 13.3 lbs.
Eficacia Evaluada** (Granos/ Libras de Sal en Dosis de Sal Mínima)	4,700 @ 2.5 lbs.
Agua usada durante la Regeneración (galones/ granos)	2.8 /1000
Agua Total Usada por Regeneración en Dosis de Sal Mínima	35.5 gallons
Cantidad de Resina de Intercambio Iónico de Alta Capacidad (lb./ pies cúbicos).	43/0.83
Tamaño Nominal del Tanque de Resina (pulg., diám. x altura)	9 x 35
Índice de Flujo del Servicio (gpm)	7.5
Caída de Presión en Flujo del Servicio Evaluado (psig)	13.4
Dureza Máxima del Suministro de Agua (gpg)	95
Hierro Máximo en Agua Pura del Suministro de Agua (ppm)***	8
Límites de Presión del Agua (psi mínimo- máximo)****	20-125
Límites de Temperatura del Agua (mín.- máx. °F)	40-120
Índice de Flujo Máximo al Drenaje (gpm)	2.3

Estos sistemas cumplen con los reclamos de capacidad específica de NSF/ANSI 44, de acuerdo con los verificado y corroborado por datos de evaluaciones.

* La evaluación fue realizada utilizando cloruro de sodio con grados de bolitas de la sal regenerante.

** El índice de eficiencia es válido sólo con la dosis de sal mínima indicada. La eficacia de estos suavizantes fue evaluada de acuerdo con NSF/ANSI 44.

*** La extensión de la eliminación del hierro puede variar con las condiciones. La capacidad de reducir el hierro del agua pura es corroborada por datos evaluados de WQA. El Estado de Wisconsin requiere tratamientos adicionales si el suministro de agua contiene un nivel superior a 5 ppm de hierro en agua pura. Consulte la sección Limpieza del Hierro con el Sistema Suavizante de Agua.

**** Límites de presión en Canadá. 1.4–7.0 kg/cm².

Reclamos de Funcionamiento		
Contaminante	Nivel de Desafío del Agua Prefiltrada	Nivel Máximo de Agua Permitida
Bario	10 ±10% mg/L	2.0 mg/L
Radio 226/228	25 pCi/L	5pCi/L

Los parámetros de la evaluación incluyen: pH = 7.5±0.5, índice de flujo = 7.5 gpm y presión dinámica = 35±5 psig

Sobre el sistema de descalcificación de agua

SERVICIO

Cuando el sistema descalcificador de agua está proporcionando agua descalcificada, a esto se le llama "Servicio". Durante el servicio, el agua dura fluye desde la tubería de agua principal de la casa hacia el sistema de descalcificación de agua. En el interior del tanque de resina del sistema de descalcificación de agua hay una película o capa compuesta de miles de resinas plásticas diminutas. Cuando el agua dura pasa a través de la capa, cada resina diminuta atrapa los minerales duros. A esto se le llama intercambio de iones. Es como un imán que atrae y atrapa metales. Luego, el agua sin minerales duros (agua descalcificada o agua blanda) fluye hacia la casa desde el sistema de descalcificación.

Después de un período de tiempo, la capa de resina se obstruye o se satura con los minerales duros y debe limpiarse. Esta limpieza se denomina recarga. La recarga comienza a las 2:00 AM (ajustado en fábrica) por el control del sistema de descalcificación de agua, y consiste en cinco etapas o ciclos. Éstas son **FILL (llenado)**, **BRINING (proceso de salado)**, **BRINE RINSE (enjuague salado)**, **BACKWASH (lavado regresivo)** y **FAST RINSE (lavado rápido)**.

CIRCUNVALACIÓN AUTOMÁTICA DEL AGUA DURA DURANTE LA RECARGA

Durante la recarga, el suavizante de agua se coloca automáticamente en el modo de tubo de desviación, permitiendo que el agua dura esté disponible en el hogar. Una vez que el suavizante es recargado, el agua es dirigida nuevamente a través del suavizante para sea acondicionada.

Sin embargo, se debe evitar el uso de agua CALIENTE debido a que el calentador de agua se llenará con el agua dura.

LLENADO

La sal disuelta en agua es llamada salmuera. La salmuera es necesaria para limpiar los minerales duros de las diminutas partículas de resina. Para formar la salmuera, el agua fluye hacia el interior del tanque de sal durante el período de llenado.

SALADO

Durante el proceso de salado, la salmuera se desplaza del área del tanque de almacenamiento de la sal hacia el tanque de la resina. La salmuera es el agente de limpieza necesario para remover los minerales duros de la capa de resina. Los minerales duros y la salmuera son descargados hacia el desagüe.

La boquilla y el Venturi crean una succión para mover la salmuera, manteniendo un ritmo muy bajo para obtener la resina de limpieza con la menor cantidad de sal.

ENJUAGUE DE SALMUERA

Después de que se use una cantidad de salmuera medida con anterioridad, la válvula de salmuera se cierra. El agua continúa fluyendo en la misma trayectoria que durante el proceso de salado, excepto por el flujo de salmuera discontinuado. Los minerales duros y la salmuera fluyen del tanque de resina hacia el desagüe.

LAVADO REGRESIVO

Durante el lavado regresivo, el agua viaja hacia arriba a través del tanque de resina a un flujo de ritmo rápido, purgando el hierro acumulado, la suciedad, y los sedimentos desde la capa de resina hacia el desagüe.

ENJUAGUE RÁPIDO

El lavado regresivo es seguido por un flujo de agua rápido hacia abajo a través del tanque de resina. El flujo rápido purga la salmuera del fondo del tanque, y rellena el tanque de resina.

A continuación del enjuague rápido, el sistema de descalcificación de agua regresa al servicio de agua descalcificada.

Sobre el sistema de descalcificación de agua

FUNCIONAMIENTO NORMAL, PANTALLAS DE CONTROL

Durante el funcionamiento normal, la hora actual del día y AM o PM y DAYS TO EMPTY (DÍAS HASTA VACIARSE) aparecen en el área de la pantalla de control.

El sistema se recargará de forma automática en el tiempo de recarga presente, según sea necesario.

FUNCIÓN: CONTROLES OPCIONALES DE RECARGADO

A veces, es posible que usted desee o necesite una recarga iniciada manualmente. Dos ejemplos:

- Usted ha usado más agua que de costumbre (huéspedes en la casa, lavado adicional, etc.) y quizás se quede sin agua descalcificada antes de la próxima recarga.
- Se le acabó la sal al sistema.

Use una de las funciones siguientes para comenzar una recarga inmediatamente, o en el próximo inicio de recarga preprogramada.

RECARGAR ESTA NOCHE

Presione (sin mantener presionado) el botón **RECHARGE (Recargar)**. **RECHARGE TONIGHT (Recargar Esta Noche)** titila en el área de la pantalla de control. Se realizará una recarga en el próximo tiempo de inicio de recarga presente. Si decide cancelar esta recarga, presione el mismo botón una vez más.

RECARGAR AHORA

Mantenga presionado el botón **RECHARGE (Recargar)** hasta que **RECHARGE NOW (Recargar Ahora)** comience a titilar en el área de la pantalla de control. El sistema suavizante de agua inicia una recarga de inmediato y, al finalizar en unas dos horas, contará con un nuevo suministro de agua suave. Una vez iniciada, ya no podrá cancelar esta recarga.

FUNCIÓN: MEMORIA

Si el suministro eléctrico del sistema de descalcificación de agua es interrumpido, la pantalla de control estará en blanco, y la luz indicadora azul se apaga, pero el control mantiene la hora correcta por seis horas aproximadamente. Cuando el suministro es restaurado, usted tendrá que reajustar la hora actual solamente si la visualización y la luz indicadora azul están intermitentes. Todos los otros ajustes se mantienen y nunca requieren ser ajustados a no ser que usted desee hacer algún cambio.

Si la hora está intermitente después de una interrupción prolongada en el suministro eléctrico, el sistema de descalcificación de agua continúa operando como debería para proporcionarle agua descalcificada. Sin embargo, la recarga podrían ocurrir a la hora equivocada del día hasta que usted reajuste el control a la hora correcta del día.

CARACTERÍSTICA/SERVICIO: DIAGNÓSTICO ELECTRÓNICO AUTOMÁTICO

La computadora de control tiene una función de diagnóstico automático para el sistema eléctrico (excepto para la energía de entrada y la medición del agua). La computadora monitorea los componentes electrónicos y los circuitos para una operación correcta. Si ocurre un error, un código de error aparece en la pantalla de control.

Sobre el sistema de descalcificación de agua

INFORMACIÓN SOBRE LA CONDICIÓN DEL AGUA HIERRO

El hierro del agua puede causar manchas en la ropa y accesorios de plomería. Puede alterar de forma negativa el sabor de la comida, el agua potable y otras bebidas. El hierro del agua es medido en partes por millón (ppm). El ppm de hierro total*, y el tipo o tipos* es determinado a través de análisis químicos. Los cuatro tipos de hierro diferentes en el agua son:

- Hierro ferroso (agua potable)
- Hierro férrico (agua roja)
- Hierro asociado por bacterias y organismos
- Hierro asociado en forma coloide e inorgánica (ferroso o férrico)

El hierro ferroso (agua potable) es soluble y se disuelve en agua. Este suavizante de agua reducirá cantidades moderadas de este tipo de hierro (lea las especificaciones). **El hierro ferroso (agua potable) normalmente se detecta tomando un ejemplo del agua en una botella o vaso limpios. Inmediatamente luego de tomarlos, el ejemplo es claro. A medida que el ejemplo de agua se asienta, gradualmente se enturbia y se vuelve levemente amarilla o marrón a medida que el aire oxida el hierro. Este normalmente ocurre entre los 15 y 30 minutos.

Al usar el suavizante para reducir el hierro ferroso (agua potable), agregue 5 granos a la configuración dura por cada 1 ppm de hierro ferroso (agua potable). Lea la sección "Configuración del Número de Agua Dura).

Los hierros férricos (agua roja), y asociados con bacterias y organismos son insolubles. Este suavizante de agua no eliminará el hierro férrico ni las bacterias. Este hierro es visible de forma inmediata al salir por un grifo, ya que se oxidó antes de llegar al hogar. Aparece en forma de pequeñas partículas turbias suspendidas de color amarillo, anaranjado o rojizo. Una vez que el agua se asentó por un período de tiempo, las partículas quedan en el fondo del envase. Generalmente, estos hierros son eliminados del agua a través del proceso de filtración. También se recomienda la cloración con el hierro con bacterias.

El hierro asociado en forma coloide o inorgánico es de forma férrica o ferrosa que no se filtrará ni intercambiará fuera del agua. Este suavizante de agua no eliminará el hierro coloidal. En algunas instancias, el tratamiento puede mejorar el agua con hierro coloidal. Normalmente, el agua con hierro coloidal cuenta con un aspecto amarillento al ser extraído. Luego de asentarse durante varias horas, el color persiste y el hierro no se asienta, sino que permanece suspendido en el agua.

SEDIMENTO

El sedimento son partículas de material fino y extraño suspendidas en el agua. Este suavizante de agua no eliminará el sedimento. Con gran frecuencia este material es arcilla o cieno. Las cantidades extremas de sedimento pueden dar al agua un aspecto turbio. Un filtro de sedimentos instalado arriba del suavizante de agua normalmente corrige esta situación.

* El agua puede contener uno o más de los cuatro tipos de hierro y cualquier combinación de estos. El hierro total es la suma de los contenidos.

** La capacidad de reducir el hierro del agua potable es corroborada por datos evaluados de WQA.

CLORO

Las resinas suavizantes se pueden degradar en presencia de cloro sobre 2 ppm. Si el cloro excede esta cantidad, es posible que la resina experimente un período de duración más corta. En estas condiciones, es recomendable considerar la compra de un sistema de filtración para hogar GE Appliances Point-Of-Entry con un filtro para la reducción de cloro.

Antes de comenzar

ANTES DE COMENZAR

- El suavizante de agua requiere un flujo mínimo de agua de 3 galones por minuto en la entrada. La presión de entrada de agua máxima tolerable es de 125 psi. Si la presión del día supera los 80 psi, es posible que la presión nocturna supere el máximo. Si es necesario, utilice una válvula de reducción de presión (agregar una válvula de reducción de presión puede reducir el flujo). Si su hogar está equipado con un preventor de flujo regresivo, se deberá instalar un tanque de expansión de acuerdo con los códigos y leyes locales.
- El suavizante de agua utiliza un suministro de corriente externa conectado en forma directa (incluido). Asegúrese de usar el suministro de corriente incluido y enchufe el mismo en un tomacorriente de hogar con ciclo nominal de 120V, 60 que se encuentre en una ubicación seca, conectado a tierra y correctamente protegido por un dispositivo de sobrecarga de corriente tal como un disyuntor o fusible.
- Este sistema no se debe usar con agua que no sea segura a nivel microbiológico o que sea de calidad desconocida sin una desinfección adecuada, antes o después, del sistema.

HERRAMIENTAS Y MATERIALES REQUERIDOS PARA LA INSTALACIÓN

- Pinzas
- Destornillador
- Cinta de teflón
- Cuchillo filoso
- Dos llaves ajustables
- 2 accesorios para conectar la tubería de su residencia a las roscas hembras NPTF de 2,5 cm (1") en el alojamiento del filtro.
- Es posible que se necesite partes adicionales para completar la instalación:
 - Abrazaderas de toma de tierra aprobadas por UL y cable de toma de tierra de cobre calibre 6.

INSPECCIÓN DEL ENVÍO

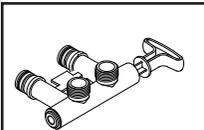
Asegúrese de que todas las piezas que aparecen a continuación estén presentes. Cualquier pieza adicional necesaria para completar la instalación deberá ser comprada. Controle detenidamente que el suavizante de agua no haya sufrido daños ni pérdidas de piezas durante el envío. También inspeccione y observe cualquier daño sobre la caja enviada.

Retire y descarte (o recicle) todos los materiales de embalaje. A fin de evitar la pérdida de piezas pequeñas, sugerimos que conserve las mismas en la bolsa de piezas hasta que se deban usar.

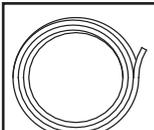
⚠ ADVERTENCIA

Descarte todas las piezas sin uso y materiales de embalaje luego de la instalación. Las pequeñas partes restantes luego de la instalación podrían ocasionar riesgo de obstrucción.

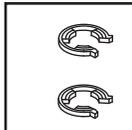
NOTA: El incumplimiento de estas instrucciones de instalación anulará la garantía del producto, y el instalador será responsable por cualquier servicio, reparación o daños ocasionados de ese modo.



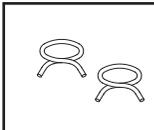
Válvula del Tubo de Desviación



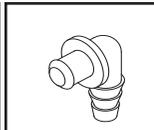
Manguera de Drenaje



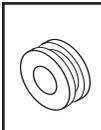
Sujetadores



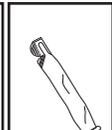
Abrazaderas de la Manguera



Adaptador Para Desbordes



Arandela Aislante



Grasa de Silicona

Requisitos de Instalación

REQUISITOS DE UBICACIÓN

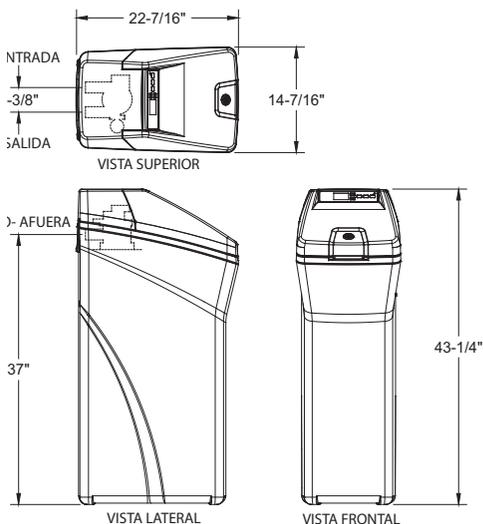
Considere todo lo siguiente al seleccionar una ubicación de instalación del suavizante de agua.

- No coloque el suavizante de agua donde haya temperaturas heladas. No intente tratar el agua a más de 120 °F. **Los daños por temperaturas heladas o agua caliente anulan la garantía.**
- Para acondicionar toda el agua del hogar, instale el suavizante de agua cerca de la entrada del suministro de agua, y antes que todas las demás conexiones de plomería, excepto las tuberías de agua externas. Los grifos externos deberían permanecer con agua dura para evitar el desperdicio de agua y sal acondicionada.
- Un drenaje cercano es necesario para arrastrar el agua echada (drenada) para regeneración. Use un drenaje por suelo, tubería de lavandería, sumidero, tubería vertical, u otras opciones (consulte los códigos locales). Consulte las secciones "Requisitos de Espacio Libre" y "Requisitos de Drenaje con Válvula".
- El suavizante de agua utiliza un suministro de corriente externa conectado en forma directa (incluido). Asegúrese de usar el suministro de corriente incluido y enchufe el mismo en un tomacorriente de hogar con ciclo nominal de 120V, 60 que se encuentre en una ubicación seca, conectado a tierra y correctamente protegido por un dispositivo de sobrecarga de corriente tal como un disyuntor o fusible.
- Siempre instale el suavizante de agua entre la entrada de agua y el calentador de agua. Cualquier otro equipamiento para el acondicionamiento de agua debería ser instalado entre la entrada de agua y el suavizante de agua (Consulte la Figura siguiente).
- Si el ablandador de agua es instalado al aire libre, no lo coloque en una ubicación donde esté expuesto a climas húmedos, en contacto directo con la luz solar, temperaturas extremas de calor o frío, u otras formas de abuso.

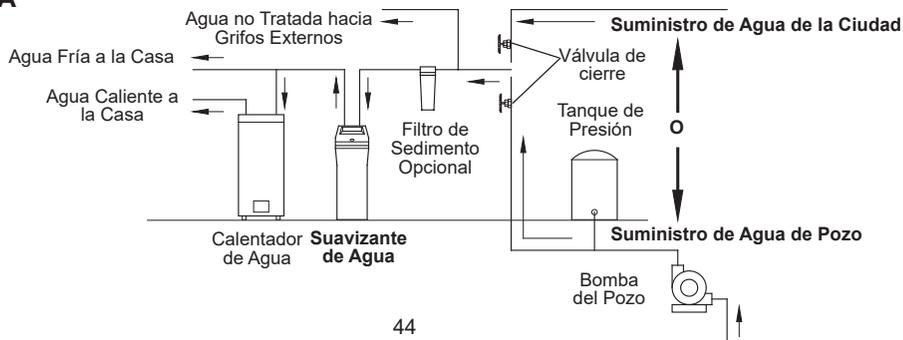
■ **NO HAGA CORRER AGUA CALIENTE A TRAVÉS DEL SUAVIZANTE** La temperatura del agua que pasa a través del suavizante deberá ser inferior a 120° F.

- Evite la instalación directamente en contacto con la luz solar. El exceso de calor solar puede ocasionar distorsión y otros daños sobre partes no metálicas.
- Cuando se instale en una ubicación exterior, deberá realizar los pasos necesarios para asegurar que el ablandador, la plomería y cableado de instalación, estén protegidos de los factores climáticos, luz solar directa, contaminación, vandalismo, insectos, alimañas, etc.
- No instale el suavizante donde pueda bloquear el acceso al calentador de agua o el acceso al cierre principal del agua.

DIMENSIONES



ORDEN ADECUADO PARA INSTALAR EL EQUIPAMIENTO PARA EL TRATAMIENTO DEL AGUA



Requisitos de Instalación

CÓDIGOS DE PLOMERÍA

Toda la plomería deberá ser completada de acuerdo con los códigos de plomería nacional, estatal y local.

En el estado de Massachusetts: En el Commonwealth de Massachusetts, se deberá cumplir con el Código de Plomería 248 CMR. Se deberá contratar a un plomero matriculado para esta instalación.

REQUISITOS DE ESPACIO LIBRE

Es necesario un drenaje para el agua de regeneración (Ver la Figura 1). Es recomendable un drenaje por el suelo, cerca del suavizante de agua. Otras opciones de drenaje son una tubería para lavandería, un tubo vertical, etc. Coloque de forma segura la manguera de la válvula de drenaje. Deje un espacio libre de 1-1/2" entre el extremo de la manguera y el drenaje. Este espacio es necesario para evitar el flujo regresivo de agua de cloaca en el suavizante de agua. No coloque el extremo de la manguera de drenaje en el drenaje.

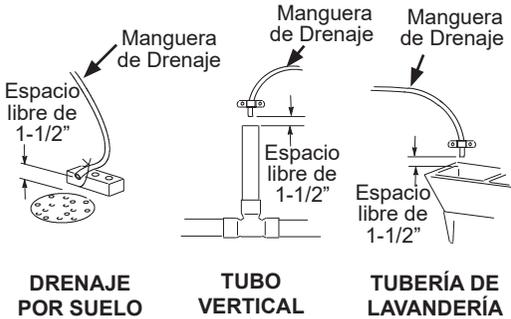


Figura 1

REQUISITOS DEL DRENAJE CON VÁLVULA

Para el uso de una manguera de drenaje flexible (incluida) (vea la Figura 2), mida y corte hasta la extensión necesaria. El uso de mangueras de drenaje flexible no está permitido en todas las localidades (consulte sus códigos de plomería). Si los códigos locales no permiten el uso de una manguera de drenaje flexible, se deberá usar un drenaje con válvula rígida. Adquiera un accesorio de compresión (tubo mínimo de 1/4 NPT x 1/2 pulgada) y un tubo de 1/2" en su tienda local. Instale un drenaje rígido según sea necesario (Vea la Figura 3).

NOTA: Evite que la manguera de drenaje supere los 30 pies. Evite elevar la manguera más de 8 pies sobre el piso. Haga que la línea de drenaje con válvula sea tan corta y directa como sea posible.

LÍNEA DE DRENAJE FLEXIBLE

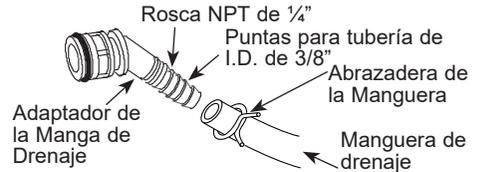


Figura 2

LÍNEA DE DRENAJE RÍGIDO

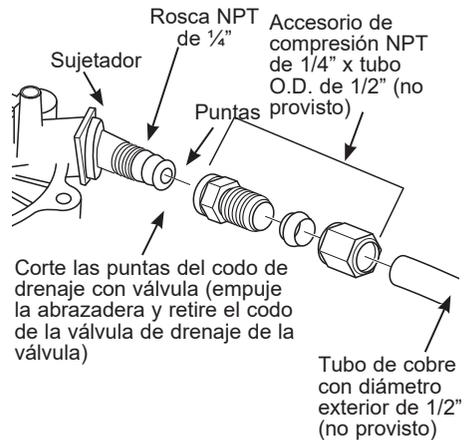


Figura 3

Requisitos de Instalación

REQUISITOS DE PLOMERÍA INTERIOR/ EXTERIOR

Siempre instale una válvula de desviación simple (provista), como se muestra en la Figura 4, o, si lo desea, puede adquirir y ensamblar piezas para un sistema de desviación de 3 válvulas (no incluido), como se muestra en la Figura 5. Las válvulas de desviación le permiten cerrar el agua en el suavizante para el mantenimiento si es necesario, pero aún tener agua en las tuberías de la casa.

Los accesorios para tubería deberán ser como mínimo de 1/2". Uso:

- Tubería de cobre
- Tubería roscada
- Tubería PEX (Polietileno Entrecruzado)
- Tubería de plástico de CPVC
- Otra tubería aprobada para uso con agua potable

IMPORTANTE: No suelde con la tubería adjunta a los adaptadores de instalación y a la válvula de desviación simple. El calor de la soldadura dañará los adaptadores y la válvula.

VÁLVULA DE DESVIACIÓN SIMPLE

Empuje hacia afuera para el "Servicio" (Agua suave)

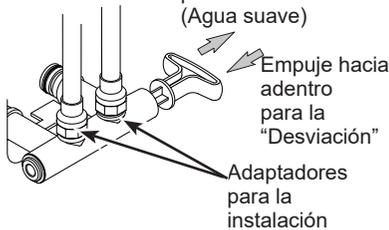


Figura 4

3-SISTEMA DE DESVIACIÓN CON VÁLVULA

Para el servicio con agua suave: Abra las válvulas internas y externas y cierre la válvula de desviación.

Para desviar agua dura: Cierre las válvulas internas y externas y abra la válvula de desviación.

3 DESVIACIÓN CON VÁLVULA

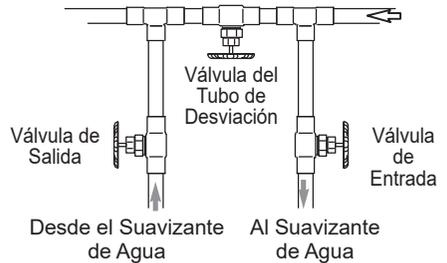


Figura 5

⚠ ADVERTENCIA

Una tubería de cobre o galvanizada de agua fría podría usarse para conectar a tierra los tomacorrientes eléctricos en la casa. No mantener esta conexión a tierra podría resultar en descargas eléctricas peligrosas. Si la tubería de agua fría es usada para conectar a tierra los tomacorrientes, por favor refiérase a la sección de *Cómo instalar el cable a tierra* antes de cortar la tubería.

Instrucciones de Instalación

INSTALACIÓN TÍPICA

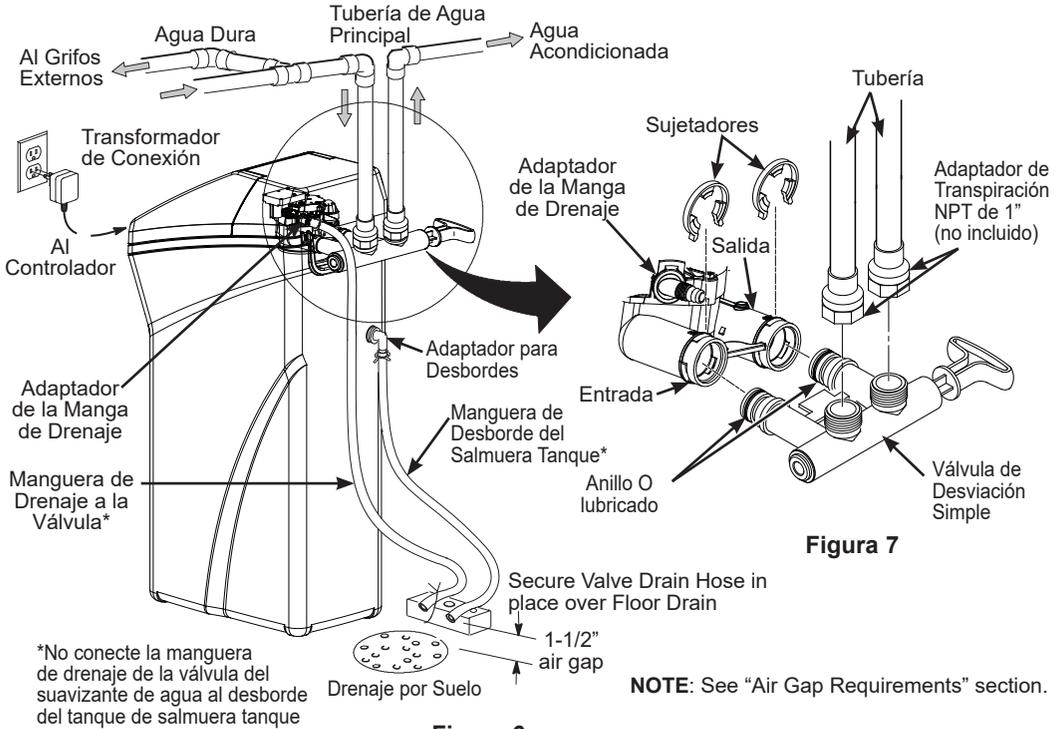
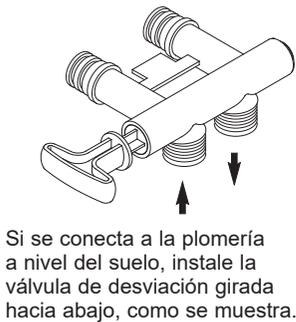


Figura 7

Figura 6

VÁLVULA DE DESVIACIÓN SIMPLE



- Retire el enchufe y el cable del embalaje plástico de la conexión de salida de la válvula.

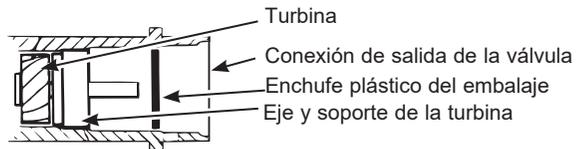


Figura 8

NOTA: Asegúrese de que la turbina y el soporte estén firmemente en sus lugares en la conexión de salida de la válvula. Sople hacia el puerto de la válvula y observe que la turbina rote libremente.

Instrucciones de Instalación

CIERRE EL SUMINISTRO DE AGUA

1. Cierre la válvula del suministro principal de agua, ubicada cerca de la bomba del pozo o del medidor de agua.
2. Abra todos los grifos para drenar toda el agua de las tuberías de la casa.

NOTA: Asegúrese de no drenar el agua del calentador de agua, ya que esto podría ocasionar daños sobre los elementos del calentador de agua.

INSTALE EL ADAPTADOR DE DESBORDE DEL TANQUE DE SALMUERA

Instale la arandela aislante y el adaptador de desborde del tanque de salmuera en el agujero de 13/16" de diámetro en la parte trasera de la pared lateral del tanque de almacenamiento de sal; (consulte la Figura 9).

NOTA: El adaptador de desborde del tanque de salmuera acepta una manguera I.D. de 1/2" o 3/8".

INSTALE LA VÁLVULA DE DESVIACIÓN

NOTA: Para una instalación fácil, retire la tapa superior. Libere las 2 abrazaderas de la parte trasera de la tapa. Róte la tapa hacia adelante y levante la misma.

1. Visualmente controle y elimine cualquier escombros de los puertos de entrada y salida de la válvula del suavizante de agua; (vea la Figura 7).
2. Asegúrese de que el ensamble de la turbina gire libremente en el puerto de "salida" de la válvula; (consulte la Figura 8).
3. Si aún no se realizó, coloque una cobertura luminosa de grasa de silicona (a condición de que) en los anillos o de desviación simple; (consulte la Figura 7).
4. Empuje la válvula de desviación simple sobre la válvula del suavizante tanto como sea posible. Presione las dos abrazaderas de sujeción en sus lugares, desde la parte superior hacia abajo; (consulte las Figuras 7 y 10).

IMPORTANTE: Asegúrese de que las abrazaderas queden firmes, de modo que la válvula de desviación simple no se suelte.

MUEVA EL SUAVIZANTE DE AGUA A SU LUGAR

⚠ ADVERTENCIA

Riesgo de Peso Excesivo
Cuenta con la ayuda de dos o más personas para mover e instalar el suavizante de agua. Si esto no se hace, se podrán producir lesiones de espalda u otras lesiones.

1. Mueva el suavizante de agua hasta la ubicación deseada. Coloque el mismo sobre una superficie sólida y nivelada.

IMPORTANTE: No coloque cuñas directamente debajo del tanque de almacenamiento de sal para nivelar el suavizante. El peso del tanque, cuando esté lleno de agua y sal, podrá hacer que se fracture en la cuña.

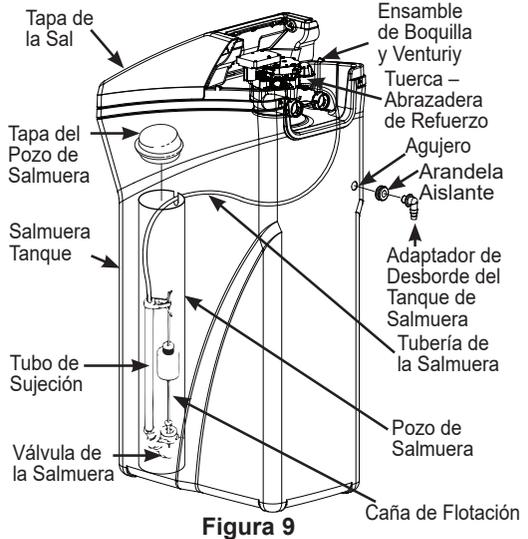
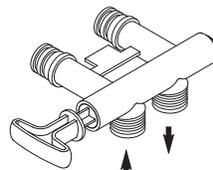


Figura 9

NOTA: La unidad se muestra sin la tapa superior..

VÁLVULA DE DESVIACIÓN SIMPLE



Si se conecta a la plomería a nivel del suelo, instale la válvula de desviación girada hacia abajo, como se muestra.

ENSAMBLE CORRECTO

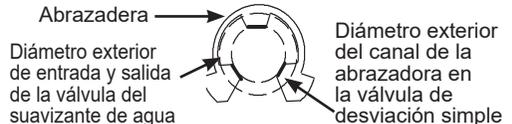


Figura 10

NOTA: Asegúrese de que las 3 lengüetas de la abrazadera atraviesen los agujeros correspondientes en la entrada y salida de la válvula del suavizante de agua, y completamente en el canal en la válvula de desviación simple. Asegúrese de que las lengüetas estén completamente apoyadas.

Instrucciones de Instalación

COMPLETE LA PLOMERÍA DE ENTRADA Y SALIDA

⚠ ADVERTENCIA

Una tubería de cobre o

galvanizada de agua fría podría usarse para conectar a tierra los tomacorrientes eléctricos en la casa. No mantener esta conexión a tierra podría resultar en descargas eléctricas peligrosas. Si la tubería de agua fría es usada para conectar a tierra los tomacorrientes, por favor refiérase a la sección de *Cómo instalar el cable a tierra* antes de cortar la tubería.

IMPORTANTE: Este ablandador de agua cuenta con un sistema de válvula no metálico. Instalar el mismo en una tubería metálica interrumpirá la continuidad eléctrica, lo cual podrá interrumpir la conexión a tierra del hogar. Deberá restablecer la continuidad eléctrica en su sistema de plomería metálico.

Si instala un sistema de desviación de 3 válvulas (Figura 5), la continuidad eléctrica se podrá mantener. Si instala la válvula de desviación no metálica (Figura 11), consulte la sección de Instalación del Cable a Tierra antes de cortar la tubería.

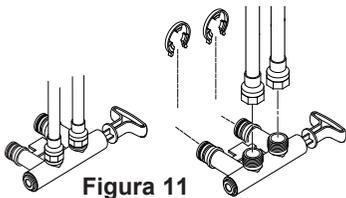


Figura 11

Mida, corte y de forma floja ensamble la tubería y accesorios de la tubería principal de agua a los puertos de entrada y salida de la válvula del suavizante de agua. Asegúrese de mantener los accesorios totalmente juntos, y las tuberías de forma rígida y derecha. **ASEGÚRESE DE QUE EL SUMINISTRO DE AGUA DURA SEA DIRIGIDO AL PUERTO DE ENTRADA DE LA VÁLVULA DEL SUAVIZANTE.**

NOTA: La entrada y salida están marcadas sobre la válvula del suavizante de agua. Trace la dirección del flujo de agua para asegurar que el agua dura va hacia la entrada.

IMPORTANTE: Asegúrese de encajar, alinear y sostener toda la plomería, a fin de evitar poner tensión sobre la entrada y salida de la válvula del suavizante de agua. La tensión sobre la plomería por falta de alineación o sostén puede ocasionar daños sobre la válvula.

• Si realizará una instalación con cobre soldado, realice todas las soldaduras con el metal ya en la cavidad antes de conectar las tuberías a los adaptadores de NPT y la válvula de desviación. El calor de la linterna daña las partes plásticas.

⚠ ADVERTENCIA

Si se harán soldaduras para la conexión de las tuberías, use sólo soldadoras y fundidores libres de plomo para evitar el envenenamiento con plomo.

- Al girar los accesorios de las tuberías roscadas en los accesorios de plástico, tenga cuidado de no cruzar las roscas.
- Use Cinta de Teflón en todas las roscas de tuberías externas. Complete la tubería interna y externa sobre el tipo de tubería que usará. Asegure la abrazadera con conexión a tierra a las tuberías de metal.

INSTALACIÓN DEL CABLE DE TIERRA

NOTA: Si la tubería de su casa es de plástico no debería ser usada para efectuar la conexión de tierra, y este paso puede ser obviado.

IMPORTANTE: Una tubería de agua fría galvanizada interiormente o de cobre es usada muy a menudo para conectar a tierra los tomacorrientes eléctricos en las casas. Una toma de tierra lo protege de descargas eléctricas. El alojamiento del filtro de agua pudo haber interrumpido la trayectoria de tierra. Para restablecer la conexión, instale un cable de cobre de 45,7 cm (12"), de calibre 6 a través del filtro, fuertemente sujeto utilizando abrazaderas de tierra de bronce de 1,3 a 2,5 cm (1/2" a 1") aprobada por UL en ambos extremos de la línea como se muestra en la ilustración. No se deben usar abrazaderas de cinc en tuberías de cobre. El cable y las abrazaderas pueden ser compradas por separado en su ferretería local.

1. Limpie la tubería de cobre y los extremos del cable con papel de esmeril. Se recomienda que utilice cable desnudo. Si utiliza cable aislado, las puntas deberán estar desnudas de su protector, aproximadamente 1,9 cm (3/4") antes de proceder a limpiarlas con papel de esmeril.
2. Sujete las abrazaderas de bronce a la tubería. Apriete los tornillos.
3. Sujete el cable a las abrazaderas tal como se muestra en la figura. Apriete los tornillos.

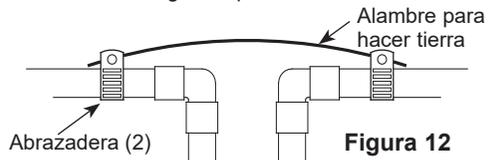


Figura 12

NOTA: Si instalará un filtro para sedimentos u otro ítem(s) en el sistema de plomería, junto con el ablandador de agua, asegúrese de restablecer la continuidad eléctrica en todas las secciones eliminadas de la tubería metálica.

Instrucciones de Instalación

INSTALE LA MANGUERA DE DRENAJE DE LA VÁLVULA

1. Mida y conecte la línea de drenaje de 3/8" (provista) al accesorio de drenaje de la válvula del suavizante de agua. Use un sujetador de manguera para sostener la misma en su lugar.

NOTA: Evite que la manguera de drenaje supere los 30 pies. Evite elevar la manguera más de 8 pies sobre el piso. Haga que la línea de drenaje con válvula sea tan corta y directa como sea posible.

IMPORTANTE: Si los códigos requieren una línea de drenaje rígida, consulte la sección "requisitos de Drenaje de la Válvula".

2. Dirija la manguera de drenaje o la tubería de cobre al drenaje del suelo u otro punto de drenaje adecuado. Asegure la manguera de drenaje. Esto evitará los "latigazos" durante las regeneraciones. Consulte la sección "Requisitos del Espacio Libre" (Figura 1).

3. Corte y asegure la manguera.

NOTA: El suavizante no funcionará si el agua no puede salir de la manguera de drenaje durante la recarga.

INSTALE LA MANGUERA DE DESBORDE DEL SALMUERA TANQUE (DE ALMACENAMIENTO DE SAL)

1. Mida, corte hasta la extensión necesaria y conecte la línea de drenaje de 3/8" (provista) al codo de desborde del tanque de almacenamiento de sal y asegure la misma con un sujetador de mangueras.
2. Dirija la manguera al drenaje del piso, o hacia otro punto de drenaje adecuado que no esté más alto que el accesorio de drenaje en el tanque de almacenamiento de sal (Éste es un drenaje por gravedad). Si el tanque se sobrecarga con agua, el excedente fluye hacia el punto de drenaje. Corte la línea de drenaje hasta la extensión deseada y dirija la misma con cuidado fuera del camino.

IMPORTANTE: Para un funcionamiento adecuado del suavizante de agua, no conecte la tubería del drenaje de la válvula del suavizante de agua a la manguera de desborde del tanque de almacenamiento de sal.

PRUEBA DE PÉRDIDAS

Para evitar la presión de aire en el suavizante de agua y en el sistema de plomería, complete los siguientes pasos en orden:

1. Abra totalmente dos o más grifos de agua fría suavizada cerca del suavizante de agua, ubicado más abajo con relación al flujo desde el suavizante de agua.
2. Coloque la válvula de desviación (simple o de 3 válvulas) en la posición de "desviación". (Vea las Figuras en la Página 10).
3. Lentamente abra la válvula principal de suministro de agua. Deje correr al agua hasta que haya un flujo parejo en los grifos abiertos, sin burbujas de aire.
4. Coloque la válvula(s) de desviación en la posición "servicio" o en agua suave como se indica:
 - Válvula de desviación simple (Figura 4): Lentamente mueva el vástago de la válvula hacia "servicio", haciendo varias pausas para permitir que el suavizante de agua se llene de agua.
 - Desviación de 3 válvulas (Figura 5): Cierre totalmente la válvula de desviación y abra la válvula de salida.
5. Luego de unos tres minutos, abra un grifo de agua caliente hasta que haya un flujo parejo y no hayan burbujas de aire; luego cierre este grifo.
6. Cierre todos los grifos de agua fría y controle que no haya goteos en las conexiones de plomería que realizó.
7. Controle que no haya goteos alrededor de los sujetadores en la entrada y salida del suavizante. Si hay una pérdida en un sujetador, despresurice la plomería (cierre el suministro de agua y abra los grifos) antes de retirar el sujetador. Al retirar los sujetadores de la entrada y salida del suavizante, presione el cuerpo de la válvula de desviación simple hacia el suavizante (Vea la Figura 14). Un retiro inadecuado podrá dañar los sujetadores. No vuelva a instalar los sujetadores dañados.



Figura 12

Instrucciones de Instalación

AGREGUE AGUA Y SAL AL TANQUE DE ALMACENAMIENTO DE SAL

⚠ ADVERTENCIA

RIESGO DE PESO EXCESIVO:

Cuente con la ayuda de dos o más personas para mover e instalar las bolsas de sal. Si esto no se cumple, se podrán producir lesiones de espalda u otras lesiones.

1. Utilizando un envase, agregue alrededor de tres galones de agua potable en el tanque de almacenamiento de sal.
2. Agregue sal al tanque de almacenamiento. Use pepitas, bolitas o sal solar gruesa con menos del 1% de impurezas.

ENCHUFE EL SUAVIZANTE DE AGUA

1. Enchufe el suavizante de agua en un tomacorriente eléctrico que no esté controlado por un interruptor.
2. Reemplace la tapa superior.
3. Reemplace la tapa del agujero de sal.

NOTA: El calentador de agua está lleno con agua dura y, a medida que se use agua caliente, se volverá a llenar con agua acondicionada. En unos pocos días, el agua caliente estará completamente acondicionada. Para poder contar con agua caliente acondicionada de forma inmediata, espere hasta que la recarga inicial esté terminada. Luego, drene el calentador de agua (siguiendo instrucciones para el calentador de agua), hasta que el agua se enfríe.

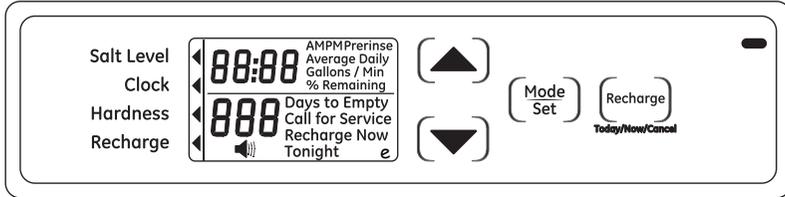
⚠ ADVERTENCIA

Descarte todas las piezas sin uso y materiales de embalaje luego de la instalación. Las pequeñas partes restantes luego de la instalación podrían ocasionar riesgo de obstrucción.

DESINFECTE EL SUAVIZANTE DE AGUA/ DESINFECTE LUEGO DEL SERVICIO

1. Abra la tapa del agujero de sal, retire la tapa del pozo de salmuera y vierta alrededor de 3 oz. (6 cucharones) de blanqueador de hogar en el pozo de salmuera del suavizante. Reemplace la tapa del pozo de salmuera.
2. Asegúrese de que la válvula(s) de desviación esté en la posición de "servicio" (abierta).
3. Comience una recarga (regeneración). Consulte "Iniciar una Recarga" en la Página 53.
4. Una vez completada la recarga, abra totalmente un grifo de agua fría, haga que corra el agua desde el suavizante, y deje que 50 galones corran a través del sistema. Esto debería tomar por lo menos 20 minutos. Cierre el grifo.

Programación del Suavizante de Agua



Cuando el transformador está enchufado en el tomacorriente eléctrico, un código de modelo y número de evaluación (ejemplo: J3.4 & F30) aparecen en la pantalla. Luego, "12:00 PM" comienza a titilar. Una flecha ◀ aparece junto a **CLOCK (Reloj)** en la calcomanía de la placa.

FUNCIONAMIENTO DEL CONTROL:

• CONFIGURACIONES DE CONTROL

- REQUERIDAS** en la instalación inicial y luego de un corte de corriente prolongado.
- Use el botón **MODE/SET (Modo/ Configuración)** para mover la flecha a la configuración de la función del control deseada.
- Una vez seleccionado el modo, use los botones UP (Arriba) ▲ y DOWN (Abajo) ▼ para cambiar las configuraciones del control.
- Presione el botón **MODE/SET (Modo/ Configuración)** para aceptar los cambios.
- Un "pitido" suena al presionar los botones para la programación del control. Un pitido señala un cambio en la pantalla de control. Pitidos repetidos indican que el control no aceptará un cambio desde el botón que presionó, y que debería seleccionar otro botón.

CONFIGURE LA HORA DEL DÍA

- Presione el botón **MODE/SET (Modo/ Configuración)** hasta que la flecha ◀ apunte a **CLOCK (Reloj)**.
- Presione los botones UP (Arriba) ▲ o DOWN (Abajo) ▼ para configurar la hora actual. UP (Arriba) ▲ mueve la pantalla hacia adelante; DOWN (Abajo) ▼ configura el tiempo hacia atrás. Asegúrese de que AM y PM estén correctos.



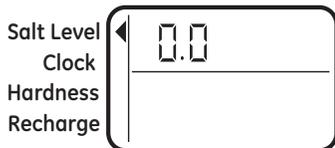
NOTA: Presione los botones y rápidamente libere para avanzar lentamente por la pantalla un número a la vez. Sostenga los botones para avanzar de forma rápida.

- Cuando se muestre la hora correcta en la pantalla, presione **MODE/SET (Modo/ Configuración)** para aceptar.

Programación del Suavizante de Agua

CONFIGURE EL NIVEL DE SAL

1. Presione el botón **MODE/SET** (Modo/Configuración) hasta que la flecha ◀ apunte a **SALT LEVEL** (Nivel de Sal).



2. Determine el nivel de sal en el tanque de salmuera usando la escala numerada al costado del pozo de salmuera, dentro del tanque de salmuera (vea la Figura 13).
3. Presione **UP** (Arriba) ▲ o **DOWN** (Abajo) ▼ para configurar el **NIVEL DE SAL**, de modo que coincida con el nivel de la escala numérica del tanque de salmuera.



NOTA: Cada vez que se presiona un botón se cambia el nivel por incrementos de 0.5 hasta 8.0. Ajustar el nivel de sal por debajo de cero hace que el indicador de **SALT LEVEL** (Nivel de Sal) quede en OFF (Apagado).

4. Presione el botón **MODE/SET** (Modo/Configuración) para aceptar. La pantalla muestra la hora actual del día y **DAYS TO EMPTY** (Días Hasta Vaciar).

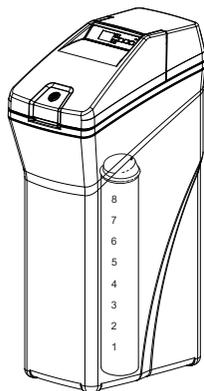
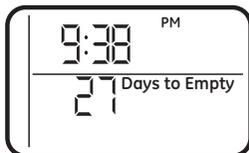
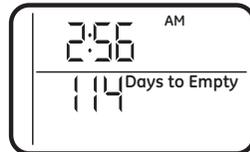


Figura 13



DÍAS HASTA VACIARSE

Las palabras **DAYS TO EMPTY** (DÍAS HASTA VACIARSE) y un número se muestran en la mitad inferior de la pantalla. Esta información aparece en el funcionamiento normal de la pantalla. Es para informar al usuario el número de días antes de que el nivel de sal en el tanque de salmuera alcance el Nivel 0. Quedará sal en el tanque de sal, pero no será suficiente para recargar completamente el sistema. La sal se debería agregar en este momento para evitar la formación de agua dura. El valor es actualizado diariamente y siempre que el valor de **SALT LEVEL** (Nivel de Sal) cambie.



NOTA: Durante las primeras semanas de funcionamiento, **DAYS TO EMPTY** (Días Hasta Vaciar) podrá tener un funcionamiento errático. Por ejemplo: la luz Indicadora azul podrá titilar, mostrando que se necesita más sal cuando el nivel de sal real en el tanque está muy por encima del Nivel 0. En algunos casos, **DAYS TO EMPTY** (Días Hasta Vaciar) podrá incluso incrementarse durante un período de varias semanas.

El suavizante de agua tarda un par de meses en incorporar su patrón de uso del agua. Una vez que hace esto, determina de forma precisa el patrón de uso de sal real. Durante este primer período, controle el nivel de sal cuando la luz azul indicadora titile. Si el nivel de sal en el tanque está en el Nivel 1 o más, deje que el sistema funcione. Asegúrese de reiniciar el indicador del nivel de sal cada vez que agregue sal al sistema.

INICIE UNA RECARGA

Mantenga presionado el botón **RECHARGE** (Recarga) por tres segundos, hasta que "RECHARGE NOW" (Recargar Ahora) comience a titilar en la pantalla, iniciando la recarga. Esta recarga aplica el blanqueador desinfectante a través del suavizante de agua. Cualquier resto de aire en el suavizante de agua es purgado en el drenaje. Durante este tiempo, controle periódicamente que no haya goteos.

NOTA: Al igual que con otras aplicaciones del sistema de agua, se pueden producir goteos. Es posible que los goteos no se vean de forma inmediata. Vuelva a hacer un control 24 horas después de que el primer ciclo de recarga esté completo.

Programación del Suavizante de Agua

CONFIGURACIONES OPCIONALES DEL CONTROL

La pantalla del controlador cuenta con varias opciones y funciones.

ALARMA DE SAL BAJA

Una vez activada **LOW SALT ALARM (Alarma de Sal Baja)**, sonará el pitido cuando el valor de **DAYS TO EMPTY (Días Hasta Vacíarse)** sea de 15 días o menos. Para cambiar esta



configuración, mantenga presionado el botón **MODE/SET (Modo/ Configuración)** durante 3 segundos o hasta que escuche el pitido. ON (Encendido) (por omisión de fábrica) u OFF (Apagado) titilarán en la pantalla. Presione los botones UP (Arriba) ▲ o DOWN (Abajo) ▼ para pasar esta función de ON (Encendido) a OFF (Apagado). Presione el botón **MODE/SET (Modo/ Configuración)** para aceptar, y la pantalla se moverá a **SALT EFFICIENCY (Eficiencia de la Sal)**.

EFICIENCIA DE LA SAL

Cuando la función **SALT EFFICIENCY (Eficiencia de la Sal)** esté en ON (Encendido), la unidad funcionará en un nivel de eficiencia de sal de 4000 granos de



dureza eliminada por libra de sal. Este modo de funcionamiento es la configuración más eficiente para el uso de sal, ya que el sistema tendrá a recargarse con mayor frecuencia, con menor uso de sal. Apagar la función OFF (Apagado) tendrá a alargar el tiempo entre los ciclos de recarga, lo cual brindará el uso más eficiente del agua, pero es posible que se use más sal. El grado de diferencia entre estos dos ciclos es altamente dependiente del uso y el nivel de dureza del agua en una instalación particular.

NOTA: Las Regulaciones de California requieren que esta función esté en ON (Encendido) para las instalaciones en este Estado.

Para acceder a Salt Efficiency (Eficiencia de la Sal), mantenga presionado el botón **MODE/SET (Modo/ Configuración)** por 3 segundos. Se visualizará la pantalla de System Diagnostics (Diagnósticos del Sistema).

Presione el botón **MODE/SET (Modo/ Configuración)** nuevamente y se visualizará **Salt Efficiency (Eficiencia de la Sal)**.

Para cambiar la configuración, presione los botones UP (Arriba) o DOWN (Abajo) para pasar esta función de ON (Encendido) ▲ a OFF (Apagado) ▼.

Presione el botón **MODE/SET (Modo/ Configuración)** para aceptar.

RECONFIGURACIÓN A LA CONFIGURACIÓN DE FÁBRICA POR OMISIÓN

Para reiniciar el controlador electrónico de todas las configuraciones en el ajuste de fábrica por omisión (hora, dureza, etc.):

1. Mantenga presionado el botón **MODE/SET (Modo/ Configuración)** hasta que la pantalla cambie dos veces y muestre el código en modo titilante.
2. Presione el botón UP (Arriba) ▲ para mostrar un "SoS" titilante.



3. Presione el botón **MODE/SET (Modo/ Configuración)** y el controlador electrónico se reiniciará.
4. Configure la hora actual, la dureza, etc., según se describe en la sección de Programación del Suavizante de Agua.

Programación del Suavizante de Agua

MEMORIA POR CORTE DE CORRIENTE

Si se corta la corriente del suavizante de agua, la “memoria” incorporada en los circuitos del temporizador mantendrán todas las configuraciones durante hasta 24 horas. Mientras la corriente esté cortada, la pantalla quedará en blanco y el suavizante de agua no se regenerará. Cuando la corriente eléctrica sea restablecida, ocurrirá lo siguiente.

Reinicie la hora actual sólo si la pantalla está titilando. **HARDNESS** (Dureza) y **RECHARGE TIME** (Temporizador de Recarga) nunca requieren una reconfiguración, a menos que se desee hacer una modificación. Incluso aunque el reloj esté incorrecto luego de un corte de corriente prolongado, el suavizante funciona como debería para mantener el agua suave. Sin embargo, las regeneraciones se podrán producir en la hora del día equivocada hasta que reinicie el reloj en la hora correcta del día.

NOTA: Si el suavizante de agua se estaba regenerando cuando se produjo el corte de corriente, ahora finalizará el ciclo.

LUZ AZUL INDICADORA

La luz azul pareja indica que la unidad está funcionando correctamente. La luz titila cuando la unidad necesita atención por parte del usuario.

- La luz también titilará hasta que el encendido se haya interrumpido. Controle la configuración de **PRESENT TIME (Hora Actual)**.
- La luz titila y **DAYS TO EMPTY (Días Hasta Vaciar)** titila – controle el nivel de sal y agregue sal según se requiera.
- La luz titila y **Err** aparece en la pantalla – problema eléctrico con el sistema.

SEÑAL DE NIVEL DE SAL BAJO

Cuando la función **DAYS TO EMPTY (Días Hasta Vaciar)** cae a 15, la luz azul indicadora y **DAYS TO EMPTY (Días Hasta vaciarse)** en la pantalla titilarán cada un segundo y la alarma emitirá un pitido cada 30 segundos (de 8:00 AM a 8:00 PM), a fin de notificar al usuario que la unidad está funcionando con un nivel de sal bajo. Tan pronto como se presione cualquier botón, la alarma dejará de sonar. La luz azul indicadora y **DAYS TO EMPTY (Días Hasta Vaciar)** continuarán titilando. Una vez que se agregue sal al tanque de salmuera y **SALT LEVEL (Nivel de Sal)** sea reiniciado, la función **DAYS TO EMPTY (Días Hasta Vaciar)** será reiniciada.

SEÑALES DE ERROR

Si se detecta un código de error, la luz azul indicadora titilará 4 veces por segundo, en la pantalla titilará **Err** y la alarma sonará cada 30 segundos (de 8:00 AM a 8:00 PM) para señalar que el suavizante requiere el servicio. La alarma se puede apagar presionando cualquier botón, pero la luz azul indicadora y la pantalla continuarán titilando.

Desconecte el transformador del tomacorriente de pared de forma momentánea, y vuelva a conectar el mismo. Aparecerá la pantalla normal. El motor podrá funcionar por varios minutos, a medida que la unidad se reinicia. Si el problema no es corregido, el código de error volverá a aparecer en 8 minutos. Consulte la sección Antes de Llamar al Servicio Técnico para recibir asistencia sobre la solución de problemas con el suavizante de agua.



Cuidado y limpieza

CONTROL DEL NIVEL DE ALMACENAMIENTO DE SAL y RECARGA

La salmuera (sal disuelta en agua) es necesaria en cada recarga. El agua para hacer salmuera es medida en el área de almacenamiento de sal por la válvula del sistema suavizante de agua y el control.

Sin embargo, se deberá mantener el tanque suministrado con sal.

AGREGADO DE SAL

Levante la tapa del agujero de sal y controle el nivel de almacenamiento de sal de forma frecuente. Si el suavizante de agua usa toda la sal antes de recargar la misma, obtendrá agua dura. Hasta que haya establecido una rutina de recarga, controle la sal cada dos o tres semanas. Siempre agregue sal cuando la cantidad sea inferior a $\frac{1}{4}$. Asegúrese de que la tapa del pozo de salmuera esté colocada.

NOTA: Si usará cloruro de potasio (KCl), no supere el nivel 4 de la etiqueta del pozo de salmuera.

NOTA: En áreas húmedas, es mejor mantener el nivel de almacenamiento de sal bajo, y hacer recargas más frecuentes para evitar "puentes" de sal.

Sal Recomendada: Pepitas, bolitas o sal solar gruesa con menos del 1% de impurezas.

Sal No Recomendada: Sal en roca, alta en impurezas, en bloque, granulada de mesa, derretida en hielo, para hacer helado, etc.

PRECAUCIÓN

Sal para suavizante de agua con aditivos para eliminar hierro:

Algunas sales cuentan con un aditivo para ayudar al sistema suavizante de agua a eliminar el hierro del suministro de agua. Aunque este aditivo puede ayudar a mantener limpia la resina del sistema suavizante de agua, también puede liberar gases corrosivos que debilitan y acortan la vida útil de algunas partes del sistema suavizante de agua.

LIMPIEZA DEL HIERRO DEL SISTEMA SUAVIZANTE DE AGUA

Su sistema suavizante de agua elimina los minerales duros (calcio y magnesio) del agua. Además, puede controlar parte (lea la sección de Pautas de Especificación) del hierro del "agua potable". Con el hierro del agua potable, el agua de un grifo es potable cuando se coloca por primera vez en un vaso. Luego de entre 15 y 30 minutos, el agua comienza a enturbiarse o tomar un color óxido. Un sistema suavizante de agua **no** eliminará ningún hierro que enturbie el agua o la oxide al salir del grifo (llamado hierro de agua roja). Para quitar el hierro del agua roja del agua, o el máximo de hierro del agua potable, es necesario un filtro de hierro u otro equipamiento.

GE recomienda el uso de **Super Iron Out®** para limpiar el lecho de resina si el contenido de hierro es alto. Use **Super Iron Out®** con cada bolsa de sal de 40 lb. como medida preventiva contra la acumulación de óxido. Limpie el lecho por lo menos cada seis meses, o con mayor frecuencia si aparece hierro en el agua blanda entre limpiezas.

IMPORTANTE: Es importante mezclar el limpiador del fondo de resina con agua (siguiendo las instrucciones del fabricante), verter la misma en el **pozo de salmuera** (vea la Figura 9) y recargar el suavizante de forma inmediata. No vierta el limpiador del fondo de resina con la sal, ya que no será tan efectivo en la limpieza de la resina, y podrá ocasionar daños al suavizante si se deja en el tanque de salmuera por un período extendido debido a los gases corrosivos que se forman.

Rutina de Mantenimiento

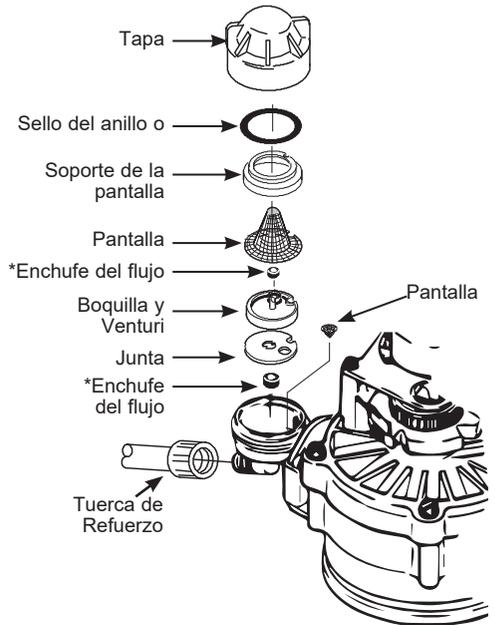
LIMPIEZA DEL ENSAMBLE DE LA BOQUILLA Y EL VENTURI

Una limpieza de la boquilla y el venturi es necesaria para que el sistema suavizante funcione de forma correcta. Esta pequeña unidad hace que la succión mueva la salmuera del área de almacenamiento de sal al tanque de resina durante la recarga. Si se tapa con arena, tierra, etc., el sistema suavizante de agua no funcionará y se generará agua dura.

Para llegar a la boquilla y el venturi, retire la tapa superior del sistema suavizante de agua. Asegúrese de que el sistema suavizante de agua esté en el ciclo del servicio (sin presión de agua en la boquilla y el venturi). Luego, mientras sostiene la caja protectora de la boquilla y el venturi con una mano, retire la tapa. Levante el soporte y la pantalla, y luego la boquilla y el venturi. Lave y enjuague las piezas con agua tibia hasta que estén limpias. De ser necesario, use un pincel pequeño para retirar el hierro o la suciedad. También controle y limpie la junta.

NOTA: Algunos modelos cuentan con un enchufe de flujo pequeño ubicado en la boquilla y el venturi, y/o una pequeña pantalla con forma cónica en la caja protectora. Asegúrese de controlar y limpiar estas partes, si su modelo cuenta con este equipamiento.

Con cuidado, reemplace todas las piezas en el orden correcto. Levemente lubrique el sello del anillo o con grasa de silicona limpia o vaselina y coloque el mismo en su posición. **Instale y ajuste la tapa, sólo en forma manual. No ajuste la tapa en exceso.**



IMPORTANTE: Asegúrese de que los pequeños agujeros de la junta estén centrados directamente sobre los agujeros pequeños en la caja protectora de la boquilla y el venturi.

*Instale con el lado numerado hacia arriba, y el lado cóncavo hacia abajo.

Rutina de Mantenimiento

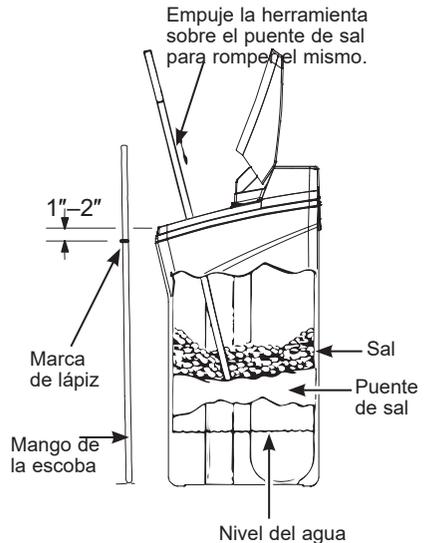
ROTURA DE UN PUENTE DE SAL

A veces se forma una costra dura o un puente de sal en el área de almacenamiento de sal. Normalmente es causada por el alto nivel de humedad o un tipo de sal inadecuado. Cuando se forman puentes de sal, se genera un espacio vacío entre el agua y la sal. Luego la sal no se disuelve en el agua para formar salmuera.

Si el tanque de salmuera está lleno de sal, es difícil decir si se formó un puente de sal. La sal está floja en la parte superior, pero el puente está debajo de ésta. La siguiente es la mejor forma de controlar la formación de un puente de sal.

La sal debería estar suelta hasta el fondo del tanque. Tome un mango de escoba o una herramienta similar, y con cuidado empuje la misma en la sal, trabajando hacia arriba y abajo. Si la herramienta golpea un objeto duro (asegúrese de que no sea la parte inferior ni los costados del tanque), es muy probable que sea un puente de sal. Con cuidado rompa el puente con la herramienta. No golpee las paredes del tanque. Para ayudar a disolver el puente de sal, vierta un galón de agua tibia (no caliente) en el tanque.

Si el puente se formó con el tipo de sal inadecuado, retírelo. Luego llene el tanque con sal en pepitas o bolitas únicamente. En áreas húmedas, es mejor llenar el tanque con menos sal, con mayor frecuencia para evitar la formación de un puente de sal.



Antes de solicitar el servicio técnico

¡Los Consejos para la Solución de Problemas le Permiten Ahorrar tiempo y dinero! Lea primero el cuadro que aparece en esta página y es posible que no necesite solicitar el servicio técnico.

NO HAY AGUA SUAVE – Problemas Más Comunes:

Realice el control antes de llamar al servicio técnico:

- No hay suficiente sal – deberá estar en por lo menos 1/3.
- Válvula de desviación en la posición “Desviación” – la manija debería estar en la posición “OUT” (Fuera) (servicio).
- Configuración de dureza demasiado baja. Controle la configuración de la dureza y haga un ajuste. Verifique la dureza del agua suministrada - de la empresa de agua local, evaluación del agua o llame a GE Answer Center (800-952-5039 en EE.UU.).
- Puente de Sal – la sal se solidifica sobre el nivel del agua de modo que el agua con salmuera no entre en contacto con la sal. Consulte la sección Rotura de un Puente de Sal.

Problema	Causa Posible	Qué hacer
No hay agua suave	El grifo o el accesorio donde la muestra fue tomada no cuenta con el sistema suavizante de agua. <i>NOTA: Asegúrese de que la muestra sea de un grifo que no mezcla agua suave y agua dura. Por ejemplo: un grifo de cocina de una palanca, si el lado frío está conectado para agua dura.</i>	<ul style="list-style-type: none"> • Para conservar la sal, es posible que el instalador haya aislado algunos accesorios (grifos exteriores, inodoros, etc.) del agua suave. Desde la salida del sistema suavizante de agua, trace el camino del flujo de agua, en la plomería del hogar. Si el agua suave no es dirigida a un grifo o accesorio al cual se desea, consulte a un plomero.
	No hay sal en el tanque de salmuera o hay puentes de sal	<ul style="list-style-type: none"> • Controle que no haya un puente de sal o, si el tanque está vacío, vuelva a llenarlo con la sal recomendada. Presione (durante 3 segundos) el botón RECHARGE (Recarga) para comenzar una recarga de inmediato y restablecer el suministro de agua suave.
	Suministro de corriente externa desenchufado del tomacorriente de pared o el cable de corriente no está conectado al suavizante. Fusible quemado o explosión del disyuntor en el circuito al tomacorriente eléctrico. Tomacorriente eléctrico en un circuito que puede ser apagado de forma continua.	<ul style="list-style-type: none"> • Controle que no haya pérdida de corriente eléctrica en el sistema suavizante de agua, debido a cualquiera de estas condiciones y haga correcciones según sea necesario. Con el suministro de corriente restablecido, observe la pantalla de tiempo de la placa y lea la sección Programación del Control. NOTA: la conexión del suavizante al tomacorriente eléctrico deberá ser directa de modo que no se pueda desconectar de forma accidental.
	Válvula de desviación manual en la posición de desvío	<ul style="list-style-type: none"> • Asegúrese de que la caña de la válvula de desviación esté correctamente posicionada, con la manija en la posición OUT (Afuera).
	Válvula de mezcla en la posición abierta	<ul style="list-style-type: none"> • Gire la válvula de mezcla en favor de las agujas del reloj hasta la posición cerrada.
	La válvula de la manguera de drenaje está pinzada, obstruida, demasiado elevada o de algún modo restringida	<ul style="list-style-type: none"> • Cualquier restricción en la manguera de drenaje podrá impedir un funcionamiento correcto de la boquilla y venturi y reducir o impedir el ingreso de salmuera durante la recarga.
	Suciedad, ensamble incorrecto o daño en la boquilla y el venturi	<ul style="list-style-type: none"> • Consulte las instrucciones de Limpieza del Ensamble de la Boquilla y el Venturi. Con la presión de agua al sistema suavizante de agua cerrada, separe el ensamble de la boquilla. Inspeccione, limpie y haga reemplazos según sea necesario. Cualquier partícula(s) extraña, rayones, mellas, etc. en los pasajes pueden impedir el funcionamiento. Asegúrese de que los agujeros de la junta estén centrados sobre los agujeros de la caja protectora.

Antes de solicitar el servicio técnico

Problema	Causa Posible	Qué hacer
Agua dura a veces	Uso de agua caliente mientras el sistema suavizante de agua se está regenerando	<ul style="list-style-type: none"> Evite usar agua caliente durante la recarga del sistema suavizante de agua, ya que el calentador de agua se volverá a llenar con agua dura. Consulte la sección de Desviación del Agua Dura Durante la Recarga
	Configuración del número de control de DUREZA demasiado bajo	<ul style="list-style-type: none"> Presione el botón MODE/SET (Modo/ Configuración) hasta que la flecha señale hacia HARDNESS (Dureza). Asegúrese de que el número mostrado sea el mismo que aquel de la dureza de granos por galón real de su suministro de agua. En caso de ser necesario un cambio en la configuración, consulte la sección Programación del Control.
	Los granos de dureza en el suministro de agua se incrementaron	<ul style="list-style-type: none"> La dureza del agua puede cambiar con el paso del tiempo, especialmente con agua de pozo. Para controlar esto, solicite que el agua sea evaluada a través de un análisis de laboratorio o llame a su departamento de abastecimiento de agua local. Ajuste la configuración del número de Dureza según sea necesario.
El agua se siente resbalosa luego de la instalación del suavizante de agua	Ausencia de minerales con dureza	<ul style="list-style-type: none"> Esto es normal. La dureza del agua le da una sensación abrasiva a la cual usted se pudo haber acostumbrado. La sensación resbalosa es la sensación pura del agua suave. Consulte la sección Ajuste de la Dureza del Agua.
Suavizante de Agua sin uso de sal	El sistema suavizante de agua es una unidad de "demanda"	<ul style="list-style-type: none"> No utiliza mucha sal para la regeneración – muy eficiente.
	Posible puente de sal	<ul style="list-style-type: none"> Consulte la sección Rotura de un Puente de Sal.
	Posible atascamiento de la boquilla y el venturi	<ul style="list-style-type: none"> Consulte la sección Limpieza del Ensamble de la Boquilla y el Venturi
El agua es de color azul una vez que el suavizante de agua fue instalado	Agua ácida en la plomería de cobre	<ul style="list-style-type: none"> Solicite que el agua sea evaluada de inmediato.
El suavizante de agua no se regenera	Atascamiento del contador de la turbina	<ul style="list-style-type: none"> Para realizar los procedimientos de solución de problemas, consulte la sección de Diagnóstico de Componentes Electrónicos Iniciados Manualmente. Llame al servicio técnico.
	Cable del sensor no enchufado en el control	<ul style="list-style-type: none"> Para realizar los procedimientos de solución de problemas, consulte la sección de Diagnóstico de Componentes Electrónicos Iniciados Manualmente. Llame al servicio técnico.
	No hay corriente en la unidad	<ul style="list-style-type: none"> Controle el disyuntor o los fusibles..
	Defecto mecánico	<ul style="list-style-type: none"> Llame al servicio técnico.
Enturbiamiento en la cristalería (lavavajillas automáticos)	Combinación de agua suave y demasiado detergente	<ul style="list-style-type: none"> Esto se llama aguafuerte y es permanente. Para evitar que esto suceda, use menos detergente si cuenta con agua suave. Lave la cristalería en el ciclo más corto en que pueda quedar limpia.

Antes de solicitar el servicio técnico

Problema	Causa Posible	Qué hacer
Nivel excesivo/ alto de agua en el tanque de salmuera	La válvula de la manguera de drenaje está pinzada, atascada, demasiado elevada o de algún modo restringida	<ul style="list-style-type: none"> Cualquier restricción en la manguera de drenaje podrá impedir un funcionamiento correcto de la boquilla y el venturí y reducir o impedir el ingreso de salmuera durante la recarga.
	Tuberías de drenaje conectadas juntas	<ul style="list-style-type: none"> Separe las tuberías de drenaje.
	Suciedad, ensamble incorrecto o daño en la boquilla y el venturí	<ul style="list-style-type: none"> Consulte las instrucciones de Limpieza del Ensamble de la Boquilla y el Venturí. Con la presión de agua al sistema suavizante de agua cerrada, separe el ensamble de la boquilla. Inspeccione, limpie y haga reemplazos según sea necesario. Cualquier partícula(s) extraña, rayones, mellas, etc. en los pasajes pueden impedir el funcionamiento. Asegúrese de que los agujeros de la junta estén centrados sobre los agujeros de la caja protectora.
Agua con sabor a sal o de color marrón/amarillo luego de la instalación	Unidad no desinfectada	<ul style="list-style-type: none"> Complete los Procedimientos de Desinfección. Al completar el ciclo de recarga (aprox. 2 horas), deje correr el agua en los grifos para purgar el agua salada.
	Presión baja del agua	<p>Controle la presión:</p> <ul style="list-style-type: none"> Altura del drenaje de 8" o menos, la presión debe tener un mínimo de 20 psi. Altura del drenaje superior a 8", la presión debe tener un mínimo de 50 psi.
	Manguera de drenaje restringida	<ul style="list-style-type: none"> Limpie y vuelva a conectar la manguera. Controle que no haya vueltas en la línea de drenaje.
Agua de color marrón/ amarillo	La unidad estuvo detenida por un periodo de tiempo	<ul style="list-style-type: none"> Complete los Procedimientos de Desinfección.
Aparecen gotas de resina en el agua potable	Distribuidor fisurado o unidad conectada hacia atrás	<ul style="list-style-type: none"> Llame al servicio técnico.
Sonidos que podría escuchar	Agua que corre de la unidad a un drenaje durante la recarga	<ul style="list-style-type: none"> Esto es normal.
El agua posee burbujas de aire y está turbia	Aire en el sistema luego de la instalación	<ul style="list-style-type: none"> Desaparecerá luego de correr por un periodo de tiempo..
La Luz Azul Titila		
Cuando se conecta la corriente al sistema	El control se deberá programar (es posible que haya habido un corte de corriente)	<ul style="list-style-type: none"> Consulte la sección de Programación del Control
Si "DAYS TO EMPTY" (Días Hasta Vaciar) está titilando	Nivel de sal bajo, menos de 15 días	<ul style="list-style-type: none"> Llene con sal. Reinicie el nivel de sal.

Antes de solicitar el servicio técnico

Problema	Causa Posible	Qué hacer
Códigos de Error en el Control	Es posible que el cableado se haya aflojado en el control	<ul style="list-style-type: none"> Desenchufe el suministro de corriente externo. Retire la tapa del control, libere los sujetadores al costado. Controle que no haya conexiones de cables sueltos/incorrectas al tablero electrónico o interruptor. Vuelva a conectar según se requiera. Vuelva a ensamblar la tapa del control. Enchufe el Transformador. Espere 8 minutos hasta que vuelva a aparecer Error Code (Código de Error). Si vuelve a aparecer Código de Error, llame al servicio técnico.
Si en la pantalla se visualiza "Err"	Problema eléctrico con el sistema	<ul style="list-style-type: none"> Llame al servicio técnico.

Solución de problemas avanzados para el servicio técnico

DIAGNÓSTICO ELECTRÓNICO AUTOMÁTICO

Este suavizante de agua cuenta con una función de auto diagnóstico del sistema eléctrico (excepto para la corriente y/o el medidor de agua).

El suavizante de agua monitorea que los componentes y circuitos electrónicos funcionen correctamente. Si se produce un mal funcionamiento, se visualizará un código de error en la pantalla.

Mientras aparece el código de error en la pantalla, ningún botón estará en funcionamiento excepto el botón **MODE/SET (Modo/ Configuración)**. **MODE/SET (Modo/ Configuración)** continúa funcionando de modo que la persona del servicio técnico pueda realizar Diagnósticos Manuales Avanzados. Lea a continuación para aislar aún más el problema.

Procedimiento para eliminar el código de error de la pantalla:

1. Desenchufe el transformador del tomacorriente eléctrico.
2. Corrija el problema.
3. Enchufe en el transformador.
4. Espere 8 minutos. El código de error se volverá a visualizar si el problema no fue corregido.

DIAGNÓSTICO ELECTRÓNICO MANUAL INICIADO

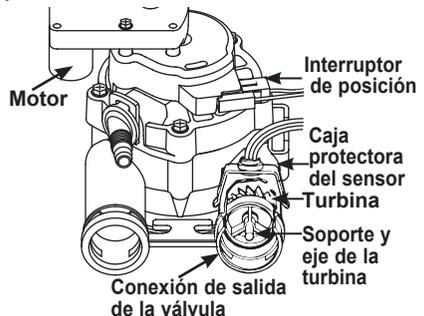
Use los siguientes procedimientos para hacer avanzar el suavizante de agua a través de los ciclos de regeneración para controlar el funcionamiento.



Figura 14

Levante la Tapa del Agujero de Sal, retire la tapa superior desbloqueando las lengüetas en la parte trasera y agitando hacia adelante, para observar el funcionamiento de la leva y el interruptor durante la rotación de la válvula.

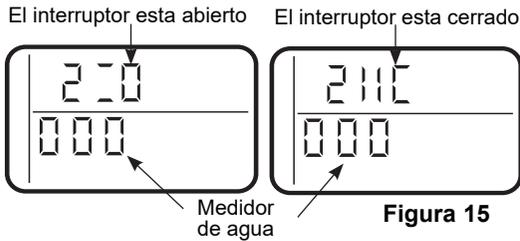
1. Mantenga presionado el botón **MODE/SET (Modo/ Configuración)** por 3 segundos hasta que se visualice la pantalla Configurar la alarma de nivel de sal bajo, luego presione el botón **MODE/SET (Modo/ Configuración)** dos veces hasta que "000" se visualice en la pantalla, y luego libere el mismo. Vea la Figura 19.
2. Los 3 dígitos indicaron el funcionamiento del medidor de agua de la siguiente manera: Si no se visualiza una lectura en la pantalla, con el grifo abierto, empuje hacia usted el sensor del puerto de salida de la válvula. Pase un imán pequeño hacia atrás y adelante frente al sensor. Debería visualizar una lectura en la pantalla. Si visualiza una lectura, cierre el suministro de agua, desenganche la plomería de entrada y salida y controle que no haya ataduras en la turbina.



Solución de problemas avanzados para el servicio técnico

DIAGNÓSTICO ELECTRÓNICO MANUAL INICIADO (Cont.)

3. Los símbolos en la pantalla indican el funcionamiento del interruptor de POSICIÓN. Vea la Figura 15



4. Use el botón **RECHARGE (Recarga)** para hacer avanzar la válvula manualmente en cada ciclo y controle el funcionamiento correcto del interruptor. **NOTA:** Asegúrese de que el agua esté en contacto con la sal, y que no esté separada por un puente de sal (consulte la sección Rotura de un Puente de Sal).
5. Mientras esté en esta pantalla de diagnóstico, la siguiente información está disponible y podrá ser beneficiosa por diferentes razones. Esta información es retenida por la computadora desde la primera vez que el encendido eléctrico es aplicado al controlador electrónico.
- Presione el botón ▲ UP (Arriba) para mostrar la cantidad de días que se aplicó corriente eléctrica sobre este control electrónico.
 - Presione el botón ▼ DOWN (Abajo) para mostrar el número de regeneraciones iniciadas por el control electrónico desde que el código numérico fue ingresado.

6. Mantenga presionado el botón **MODE/SET (Modo/ Configuración)** hasta que el código del modo (F30 para GXSH30V) aparezca en la pantalla. Este código identifica el modo del suavizante. Si se muestra un código de modo incorrecto, el suavizante funcionará sobre datos de configuraciones incorrectas.



7. Para cambiar el número del código, presione el botón UP (Arriba) ▲ o DOWN (Abajo) ▼ hasta que se visualice el código correcto.
8. Para regresar a la pantalla de la hora actual, presione el botón **MODE/SET (Modo/ Configuración)**.
9. Presione el botón **MODE/SET (Modo/ Configuración)**, para regresar a la pantalla de la hora actual. Si el código fue modificado, realice todas las configuraciones del temporizador. **NOTA:** Si el control queda en una pantalla de diagnóstico o una pantalla titilante al configurar horarios o la dureza, la hora actual automáticamente regresa si no se presiona un botón dentro de los cuatro minutos.

Solución de problemas avanzados para el servicio técnico

Servicio: Control de Recarga Avanzado en forma Manual

NOTA: La pantalla de control debe mostrar el horario de manera fija (no titilando).

1. Presione el botón **RECHARGE (Recarga)** y manténgalo presionado por tres segundos. **RECHARGE (Recarga)** comienza a titilar a medida que el sistema suavizante ingresa al ciclo de llenado de la recarga. Retire la tapa del pozo de salmuera y, usando una linterna, observe el agua al ingresar al tanque de salmuera. Si el agua no ingresa al tanque, busque una obstrucción en la boquilla, el venturi, el enchufe de flujo de llenado o la tubería de la salmuera. Consulte la sección Cuidado y Limpieza del Sistema Suavizante de Agua.
2. Luego de observar el llenado, presione el botón **RECHARGE (Recarga)** para que el sistema suavizante de agua pase al agregado de salmuera. Comenzará un flujo lento de agua hasta el drenaje. Verifique el ingreso de salmuera desde el tanque de salmuera iluminando con una linterna el pozo de salmuera y observando un descenso notorio del nivel de líquido durante un período de tiempo prolongado (hasta 20 minutos).

NOTA: Asegúrese de que un puente de sal no esté impidiendo que el agua tenga contacto con la sal. Consulte la sección Cuidado y Limpieza del Sistema Suavizante de Agua.

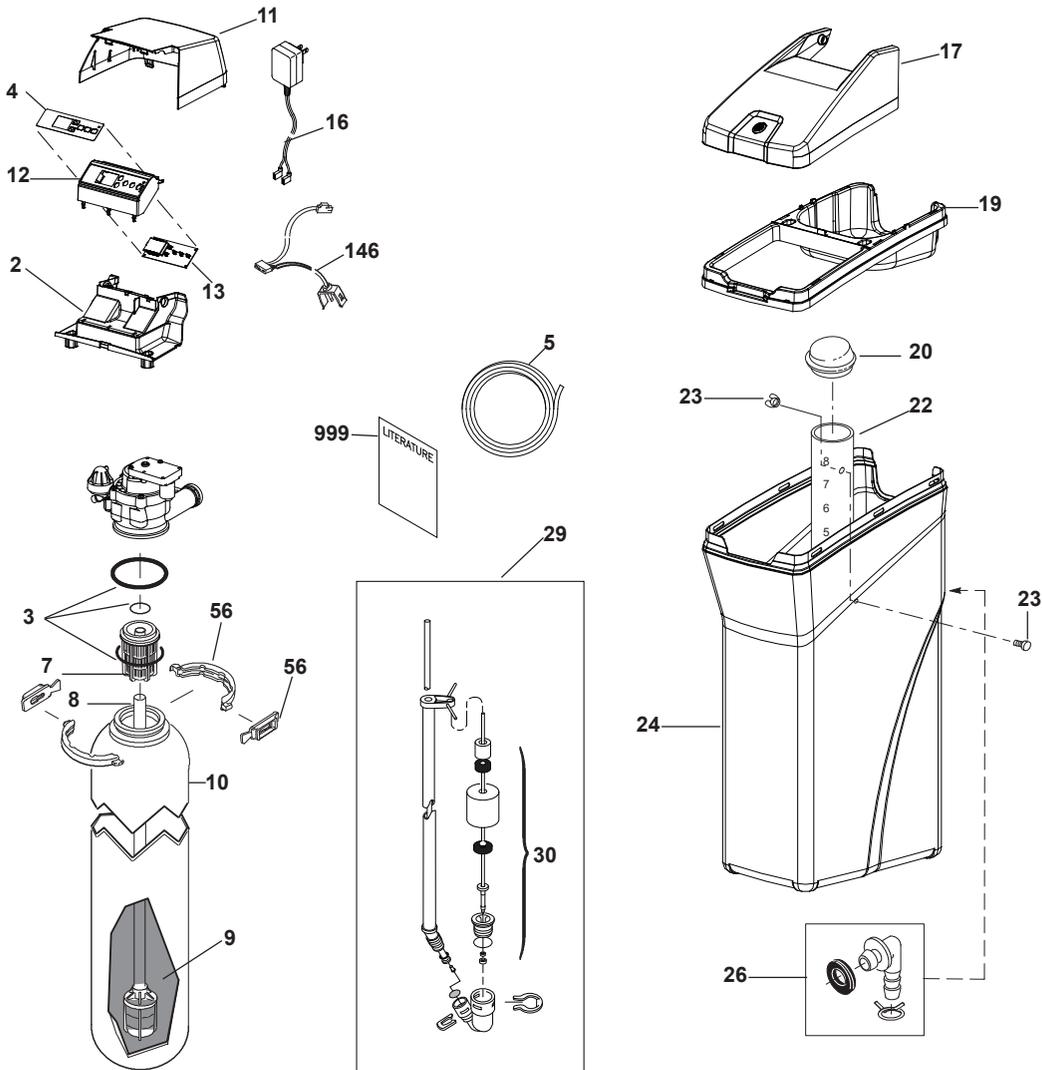
Si el sistema suavizante de agua no hace que ingrese salmuera, controle:

- Suciedad o defectos en la boquilla y/o el venturi.
- Defecto en el sellado de la boquilla y el venturi.
- La boquilla y el venturi no están correctamente sellados en la junta.
- Otro defecto de la válvula interna (sellado del rotor, rotor y disco, arandela ondulada, etc.).
- Drenaje restringido (controle el accesorio y la manguera de drenaje).

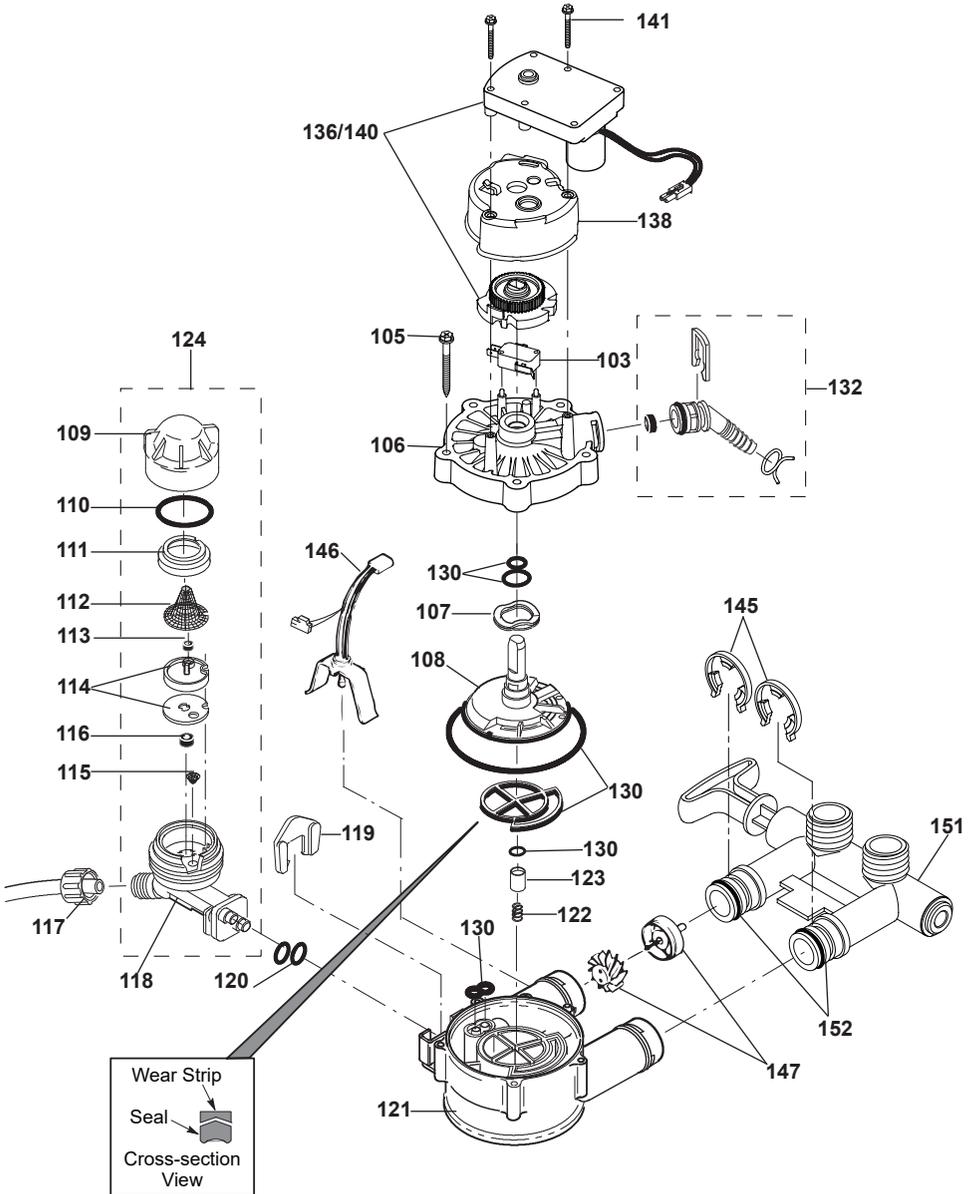
NOTA: Si el sistema de presión del agua es bajo, una manguera de drenaje elevado podrá ocasionar presión trasera, deteniendo el ingreso de salmuera.

3. Nuevamente, presione el botón **RECHARGE (Recarga)** para pasar del sistema suavizante de agua al lavado regresivo. Busque un flujo rápido de agua desde la manguera de drenaje. Un flujo lento indica que hay un distribuidor superior, una tapa de flujo de lavado regresivo o una manguera de drenaje atascados.
4. Presione el botón **RECHARGE (Recarga)** para pasar el sistema suavizante de agua al enjuague rápido. Nuevamente busque un flujo de drenaje rápido. Deje que el sistema suavizante de agua se enjuague por unos minutos para descargar cualquier resto de salmuera en el tanque de resina de la evaluación del ciclo de agregado de salmuera.
5. Para hacer que el sistema suavizante de agua vuelva a funcionar, presione el botón **RECHARGE (Recarga)**.

Vista Expandida



Vista Expandida



Listado de Piezas

GXSX30V	REF. NO.	GE PART NO.	PART DESCRIPTION	(01)
	0002	WS31X10051	SOPORTE, PLACA	1
	0003	WS35X10001	KIT DE SELLADO DE ANILLOS O	1
	0004	WS34X10020	CALCOMANÍA, PLACA	1
	0005	WS07X10004	MANGUERA, DRENAJE, 20 PIES	1
	0007	WS14X10002	DISTRIBUIDOR, SUPERIOR	1
	0008	WS14X10005	DISTRIBUIDOR, INFERIOR	1
	0009	WS01X10002	RESINA, 1 PIE CÚBICO	1
	0010	WS32X10030	TANQUE, RESINA, 9 X 35	1
	0011	WS31X10052	TAPA, SUPERIOR	1
	0012	WS34X10021	PLACA	1
	0013	WS21X10053	CONTROL	1
	0016	WS26X10013	SUMINISTRO DE CORRIENTE EXTERNA SIN CABLE DE CORRIENTE	1
	0017	WS31X10053	TAPA, AGUJERO DE SAL, CON ETIQUETAS	1
	0019	WS33X10010	BORDE	1
	0020	WS31X10024	TAPA, POZO DE SALMUERA	1
	0022	WS34X10025	POZO DE SALMUERA	1
	0023	WS02X10088	KIT DE TORNILLOS. TANQUE DE SALMUERA	1
	0024	WS32X10031	TANQUE, SALMUERA	1
	0026	WS22X10063	KIT DEL ADAPTADOR PARA DESBORDES	1
	0029	WS15X10077	ENSAMBLE DE LA VÁLVULA DE SALMUERA	1
	0030	WS35X10063	FLOTADOR, CAÑA Y GUÍA	1
	0056	WS28X10078	KIT DE LA CLAVIJA DEL CUELLO DEL TANQUE	1
	0103	WS21X10003	INTERRUPTOR	1
	0105	WS02X10014	TORNILLO, #10 - 14 x 2"	5
	0106	WS31X20060	TAPA, VÁLVULA	1
	0107	WS03X10010	ARANDELA ONDULADA	1
	0108	WS26X10002	ENSAMBLE DE ROTOR Y DISCO	1
	0109	WS19X10010	TAPA	1
	0110	WS03X10011	SELLO, ANILLO O 1.125 X 1.37	1
	0111	WS19X10005	PANTALLA DE SOPORTE	1
	0112	WS03X10013	PANTALLA	1
	0113	WS22X10036	ENCHUFE DEL FLUJO, .15 GPM	1
	0114	WS08X10008	JUNTA, BOQUILLA/ VENTILACIÓN	1
	0115	WS03X10073	PANTALLA CÓNICA	1
	0116	WS22X10021	ENCHUFE, FLUJO DE LLENADO, .30 GPM	1
	0117	WS03X10017	TUERCA DE REFUERZO	1
	0118	WS15X10034	CUERPO DE BOQUILLA Y VENTURI	1
	0119	WS03X10018	DISPOSITIVO DE RETENCIÓN	1
	0120	WS03X10019	SELLO, ANILLO O 1/4" X 3/8"	2
	0121	WS15X10010	CUERPO, VÁLVULA	1
	0122	WS03X10020	RESORTE	1
	0123	WS22X10022	ENCHUFE, SELLO DEL DRENAJE	1
	0124	WS15X10046	ENSAMBLE DE BOQUILLA Y VENTURI	1
	0130	WS35X10005	KIT DE SELLADO	1
	0132	WS22X10064	KIT DEL ADAPTADOR DE LA MANGA DE DRENAJE	1
	0136	WS26X21822	LEVA Y ENGRANAJE	1
	0136/140	WS26X21822	MOTOR, LEVA Y ENGRANAJE EQUIPO, 3/4"	1
	0138	WS26X20061	MONTAJE DE MOTOR	1
	0141	WS02X20063	TORNILLO, #6-19 x 1-3/8"	2
	0143	WS60X10013	ADAPTADOR - ROSCA NPT - VÁLVULA DE 1"	2
	0145	WS60X10004	SUJETADOR	4
	0146	WS28X10017	CABLE DEL HARNÉS, ENSAMBLE DE SENSOR	1
	0147	WS19X10006	TURBINE & SUPPORT ASM.*	1
	0151	WS15X21823	ENSAMBLE DE DESVIACIÓN *	1
	0152	WS03X10025	SELLO, ANILLO O	4
	0998	WS35X10064	KIT DE INSTALACIÓN	1
	0999	49-50282-5	MANUAL DEL PROPIETARIO	1

* INCLUYE 2 del N° de REF. 152 (ANILLO EN O).

Garantía del Sistema Suavizante de Agua (Para clientes en EE.UU.)

Todo el servicio de garantía es provisto por nuestros Centros de Servicio de Fabricación, o un técnico autorizado. Para solicitar el servicio técnico, llame al número gratuito 1-800-952-5039. Cuando llame para solicitar el servicio, tenga los números de serie y modelo disponibles.

Por el Período de:	Reemplazaremos:
Un Año Desde la fecha de compra original.	Cualquier pieza del Sistema Suavizante de Agua que falle debido a un defecto en los materiales o la fabricación. Durante esta garantía limitada de un año , GE también proveerá, sin costo , todo el trabajo y el servicio relacionado con el reemplazo de la parte que presente defectos.
Tres Años Desde la fecha de compra original.	El monitor electrónico , si fallara debido a un defecto en los materiales o la fabricación. Durante esta garantía limitada de tres años , usted será responsable por cualquier trabajo o costos relacionados con el servicio técnico.
Diez Años Desde la fecha de compra original.	Un tanque de resina de reemplazo , si falla a defectos de materiales o en la fabricación. Durante este período de diez años de garantía limitada, usted será responsable por cualquier mano de obra o costos de servicio relacionado.

Qué No Está Cubierto:

- Viajes del técnico del servicio a su hogar para enseñarle sobre cómo usar el producto.
- Instalación, entrega o mantenimiento inadecuados.
- Fallas del producto en caso de abuso, mal uso, alteración, uso comercial o uso para propósitos diferentes al original.
- Uso de este producto donde el agua que no sea microbiológicamente segura o sea de calidad desconocida sin una desinfección adecuada, antes o después, del sistema.
- Reemplazo de fusibles de la casa o reinicio de disyuntores.
- Daños ocasionados sobre el producto por accidente, incendio, inundaciones o catástrofes naturales.
- Daños consecuentes o incidentales causados por posibles defectos sobre este producto, su instalación o reparación.
- Producto no accesible para brindar el servicio requerido.
- Si este electrodoméstico se usa con propósitos que exceden el uso familiar, la garantía de las piezas, el monitor electrónico y la garantía del tanque de resina se aplica sólo durante 90 días desde la fecha de adquisición.

EXCLUSIÓN DE GARANTÍAS IMPLÍCITAS—Su única y exclusiva alternativa es la reparación del producto, como se indica en la Garantía Limitada. Las garantías implícitas, incluyendo garantías implícitas de comerciabilidad o conveniencia sobre un propósito particular, se limitan a un año o al período más corto permitido por la ley.

Esta garantía se extiende al comprador original de productos comprados para uso hogareño dentro de EE.UU. Si el producto se encuentra en un área donde no se encuentra disponible un Proveedor Autorizado de Servicio Técnico de GE Appliances, usted será responsable por el costo de un viaje o se podrá requerir que traiga el producto a una Ubicación del Servicio Técnico de GE Appliances Autorizado para recibir el servicio. En Alaska, la garantía excluye el costo de envío o llamadas del servicio a su hogar.

Algunos estados no permiten la exclusión o limitación de daños fortuitos o consecuentes. Esta garantía le da derechos legales específicos y es posible que tenga otros derechos legales que varían entre un estado y otro. Para conocer cuáles son sus derechos legales, consulte a la oficina de asuntos del consumidor local o estatal o al Fiscal de su Estado.

Garante: GE Appliances, a Haier company
Louisville, KY 40225

Garantía del Sistema Suavizante de Agua (Para clientes en Canadá)

Todo el servicio de garantía es provisto por nuestros Centros de Servicio de Fabricación, o un técnico autorizado. Para solicitar el servicio técnico, llame al número gratuito 1-866-777-7627. Cuando llame para solicitar el servicio, tenga los números de serie y modelo disponibles.

Por el Período de:	Reemplazaremos:
Un Año Desde la fecha de compra original.	Cualquier pieza del Sistema Suavizante de Agua que falle debido a un defecto en los materiales o la fabricación. Durante esta garantía limitada de un año , GE también proveerá, sin costo , todo el trabajo y el servicio relacionado con el reemplazo de la parte que presente defectos.
Tres Años Desde la fecha de compra original.	El monitor electrónico , si fallara debido a un defecto en los materiales o la fabricación. Durante esta garantía limitada de tres años , usted será responsable por cualquier trabajo o costos relacionados con el servicio técnico.
Diez Años Desde la fecha de compra original.	Un tanque de resina de reemplazo , si falla a defectos de materiales o en la fabricación. Durante este período de diez años de garantía limitada, usted será responsable por cualquier mano de obra o costos de servicio relacionado.

Qué No Está Cubierto:

- Viajes del técnico del servicio a su hogar para enseñarle sobre cómo usar el producto.
- Instalación, entrega o mantenimiento inadecuados.
- Fallas del producto en caso de abuso, mal uso, alteración, uso comercial o uso para propósitos diferentes al original.
- Uso de este producto donde el agua que no sea microbiológicamente segura o sea de calidad desconocida sin una desinfección adecuada, antes o después, del sistema.
- Reemplazo de fusibles de la casa o reinicio de disyuntores.
- Daños ocasionados sobre el producto por accidente, incendio, inundaciones o catástrofes naturales.
- Daños consecuentes o incidentales causados por posibles defectos sobre este producto, su instalación o reparación.
- Producto no accesible para brindar el servicio requerido.
- Si este electrodoméstico se usa con propósitos que exceden el uso familiar, la garantía de las piezas, el monitor electrónico y la garantía del tanque de resina se aplica sólo durante 90 días desde la fecha de adquisición.

EXCLUSIÓN DE GARANTÍAS IMPLÍCITAS—Su única y exclusiva alternativa es la reparación del producto, como se indica en la Garantía Limitada. Las garantías implícitas, incluyendo garantías implícitas de comerciabilidad o conveniencia sobre un propósito particular, se limitan a un año o al período más corto permitido por la ley.

Esta garantía se extiende al comprador original de productos comprados para uso hogareño dentro de Canadá. El servicio técnico hogareño de la garantía será brindado en áreas donde Mabe se encuentre disponible y lo considere apropiado.

EL GARANTE NO ES RESPONSABLE POR CUALQUIER DAÑO CONSECUENTE.

Garante: MABE CANADA INC.

Sólo Para Uso en Iowa

SÓLO PARA USO EN IOWA

Todas las ventas en Iowa requieren la siguiente firma antes de la consumación de la venta. Estas firmas deberán ser conservadas por el vendedor/ arrendatario por un mínimo de 2 años

Comprador/ Arrendatario _____ Fecha _____

Vendedor _____ Fecha _____

Domicilio del Vendedor _____

Nº Telefónico del Vendedor _____

Model GXSF30V

Soporte para el Consumidor

Sitio Web de GE Appliances

¿Desea realizar una consulta o necesita ayuda con su electrodoméstico? ¡Intente a través del Sitio Web de GE Appliances las 24 horas del día, cualquier día del año! Usted también puede comprar más electrodomésticos maravillosos de GE Appliances y aprovechar todos nuestros servicios de soporte a través de Internet, diseñados para su conveniencia. **En EE.UU.: GEAppliances.com**

Registre su Electrodoméstico

¡Registre su electrodoméstico nuevo a través de Internet, según su conveniencia! Un registro puntual de su producto permitirá una mejor comunicación y un servicio más puntual de acuerdo con los términos de su garantía, en caso de surgir la necesidad. También puede enviar una carta en la tarjeta de inscripción preimpresa que se incluye con el material embalado. **En EE.UU.: GEAppliances.com/register**

Servicio Programado

El servicio de reparación de expertos de GE Appliances está a sólo un paso de su puerta. Conéctese a través de Internet y programe su servicio a su conveniencia cualquier día del año. **En EE.UU.: GEAppliances.com/service** o comuníquese al 800.432.2737 durante el horario de atención comercial.

Garantías Extendida

Adquiera una garantía extendida de GE Appliances y conozca los descuentos especiales que están disponibles mientras su garantía aún está vigente. La puede adquirir en cualquier momento a través de Internet. Los servicios de GE Appliances aún estarán allí cuando su garantía caduque. **En EE.UU.: GEAppliances.com/extended-warranty** o comuníquese al 800.626.2224 durante el horario de atención comercial.

Piezas y Accesorios

Aquellos individuos calificados para realizar el servicio técnico de sus propios electrodomésticos podrán solicitar el envío de piezas o accesorios directamente a sus hogares (se aceptan las tarjetas VISA, MasterCard y Discover). Ordene hoy a través de Internet durante las 24 horas, todos los días. **En EE.UU.: GEApplianceparts.com** o de forma telefónica al 877.959.8688 durante el horario de atención comercial. **Las instrucciones que figuran en este manual cubren los procedimientos que serán realizados por cualquier usuario. Otros servicios técnicos generalmente deben ser derivados a personal calificado del servicio. Se deberá tener cuidado, ya que una reparación indebida podrá hacer que el funcionamiento no sea seguro.**

Contactenos

Si no se encuentra satisfecho con el servicio que recibió de GE Appliances, comuníquese con nosotros a través de nuestro sitio Web con todos los detalles, incluyendo su número telefónico, o escriba a:
En EE.UU.: General Manager, Customer Relations | GE Appliances, Appliance Park | Louisville, KY 40225
GEAppliances.com/contact