

How To Layout and Stripe a Tennis Court

Overall Dimensions: The overall size of a tennis doubles court is 36 feet wide by 78 feet long. The singles court is slightly narrower measuring 27 feet wide. Both singles and doubles courts share the same length.

The Service Court: The service court fits inside the singles width of the court (27 feet wide) and extends back from the net 21 feet. The service court is divided in half with a center line marking the left and right service courts.

The Net: The net measures 3 feet 6 inches high at the ends and 3 feet high at the middle tape. Typically the net standards are placed 3 feet outside the outer lines of the doubles court, making the net length a total of 42 feet from pole to pole.

Distance from other Courts and Fencing: It is advisable to have a distance of a 12 foot perimeter on each side of the sidelines and 21 feet from each baseline to create enough playing area inside fencing and adjacent tennis courts.

Laying Out the Court

Almost all tennis courts are constructed north/south, and every tennis court layout starts from the net and works toward the baseline. It is important to make sure the center anchor, where the strap pulls the net down, is centered between the two net posts.

Illustration #1:

1. Snap a chalk line (42 ft.) from net post to net post, through the center anchor.
2. From the center anchor, along the line just snapped, measure 18 ft. toward each post; make a mark.
3. From the east 18 ft. mark measure 39 feet north toward the baseline of the court and mark an arc.
4. From the opposite 18 ft. mark (on the west side of the court's center) measure 53 ft. 7/8 in. to the opposite (diagonal) corner; mark an arc. Connect the point where the arcs cross to the east 18 ft. mark on the line in the center of the court. This perpendicular line is the sideline of the singles court.

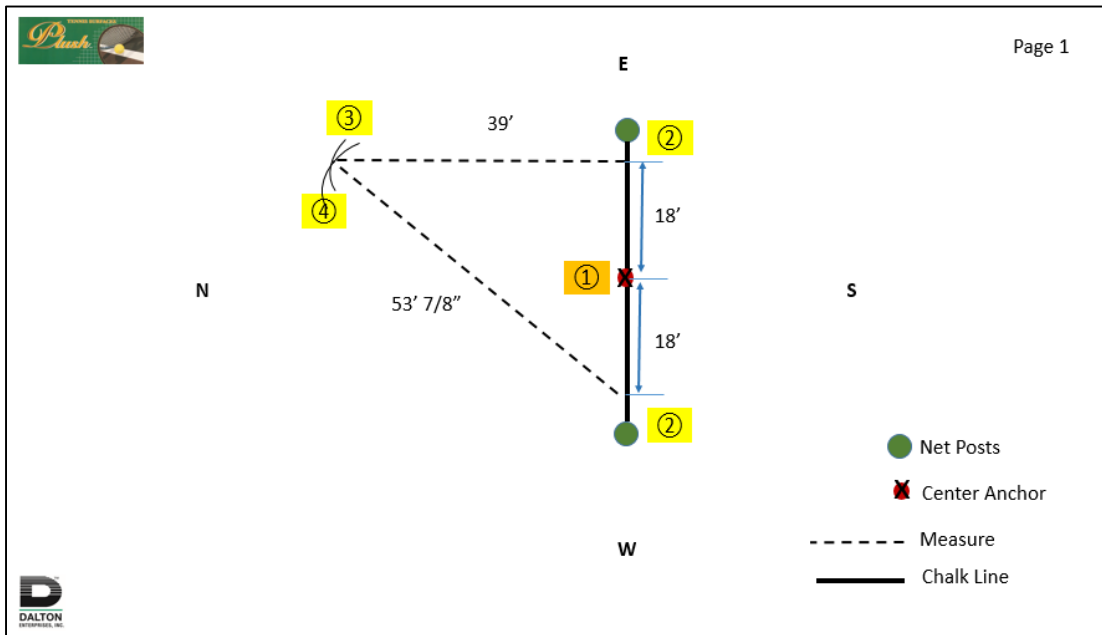
Repeat steps 3 and 4 for the west side of the court: Illustration #2

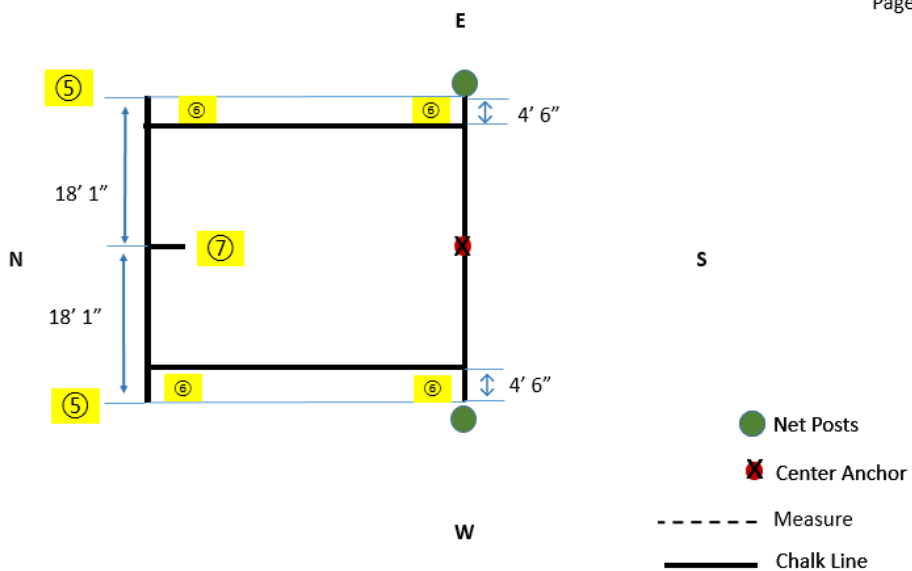
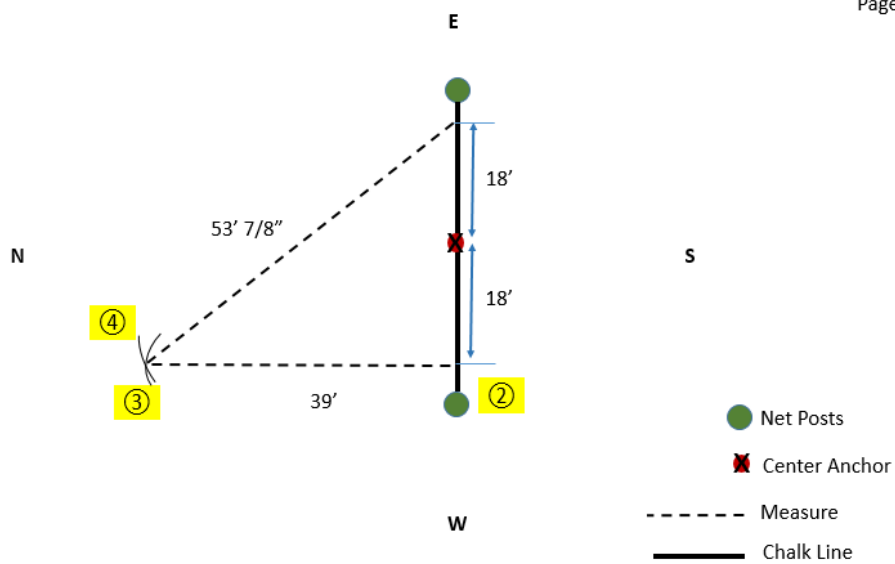
5. Connect the two marks where the 53ft. 7/8-in. measurements cross the 39 ft. lines. This is the baseline (end line) of the court. You now have a box on half of the court. **See Illustration #3**
6. Measure 4 ft. 6 in. (inside of line) or 4 ft. 8 in. (outside of line) from both the baseline and center court line toward each post. Connect these points to create the doubles sideline and the doubles alley.

7. On the north baseline, from the east singles sideline, measure 17 ft. 11 in. and 18 ft. 1 in. and mark both points. These marks create both sides of the 6-in. hash mark that indicates the center of the baseline for servers. Snap chalk lines perpendicular toward the net to create this mark.
8. From the baseline measure 18 ft. along the east side singles court sideline toward the net center line. Make a mark and repeat on the west side of the court. Connect the two points across the court; this is the service line.
9. From the east singles court sideline measure 13 ft. 5 in. along the service line toward the middle of the court. Make a mark, then measure 13 ft. 7 in. from the same point toward the middle and make a mark. This 2-in. difference will become the width of the center line dividing the two service boxes. Make the same measurements along the net center line (net location) and connect each to the service line. Half of the court is now ready to be taped and striped.

Repeat the entire process on the south side of the court.

Note: Double check measurements and step back for a good look before applying paint. For tape we recommend using 1" 3M old fashioned beige masking tape. Apply paint with a paint brush. We recommend two coats of paint. For more information contact us at info@daltonenterprises.com, or call 888-711-7483.





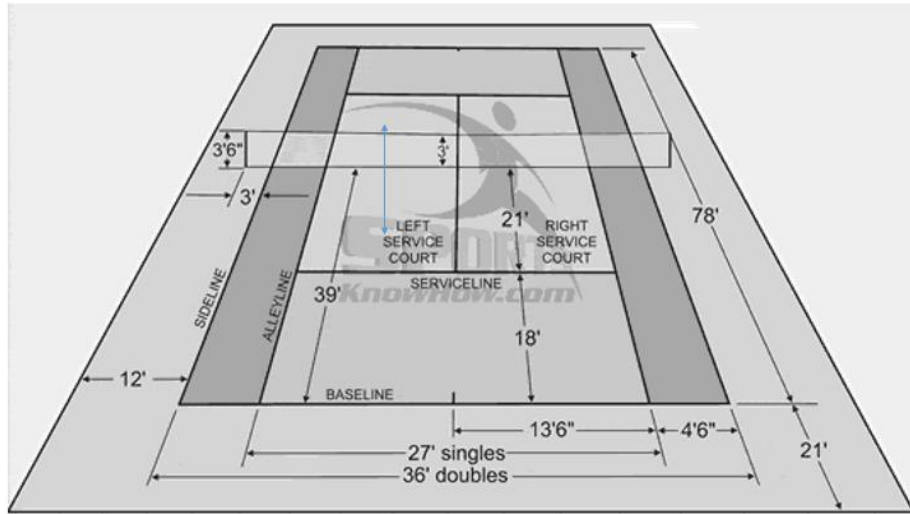
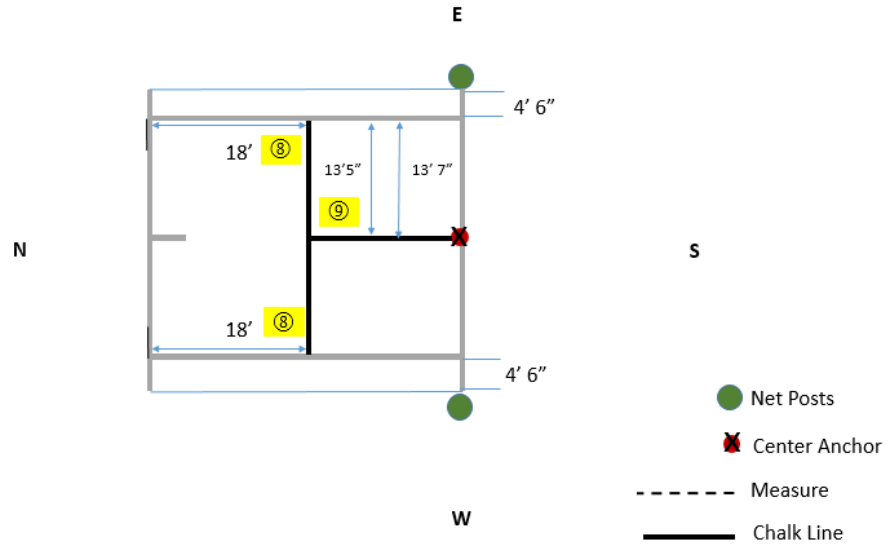


Illustration by SportsKnowhow.com

Dalton Enterprises, Inc., 131 Willow Street, Cheshire, CT 06410 USA

203-272-3221 or 888-711-7483, Fax: 203-271-3396

info@daltonenterprises.com