



**MoistureShield™**  
COMPOSITE DECKING



# DECKING INSTALLATION, CARE & MAINTENANCE INSTRUCTIONS

866.729.2378 | [MOISTURESHIELD.COM](http://MOISTURESHIELD.COM)  
limited lifetime warranty



## Welcome To The Even Greater Outdoors.

Congratulations on choosing MoistureShield for your outdoor living experience.

Take comfort in knowing that you selected an exceptional decking material built solidly on these key standards: performance, innovation and beauty. As a result of our continued technological advances like our total encapsulation process, MoistureShield® is the only decking product that can be installed on or in the ground or even underwater. Enjoy the beauty and durability for years to come.

## Installation Instructions

Easy step-by-step instructions for decking, railing and stairs.

As with any building project, use proper eye and ear protection and follow local building codes. MoistureShield composite decking is for decking and accessories only. It is not to be used as structural material.

## Warranty

MoistureShield Composite Decking is manufactured by Advanced Environmental Recycling Technologies, Inc. (A.E.R.T.), which warrants MoistureShield products against rot, decay and insect damage with a limited warranty from 20 years to a lifetime, depending on the product. For complete warranty details, please visit our website or call Customer Service.

## General Cleaning & Maintenance Instructions

In an outdoor environment, periodic cleaning will help keep your deck looking new. As with any flooring surface, periodic cleaning is recommended. The following are suggested cleaners for occasional maintenance:

- Olympic® Premium Deck Cleaner
- Behr® 63 Deck Wash
- Jomax® Deck Cleaner
- Concrobium XT Eco-Wash™ (non-bleach)

For specific cleaning issues, please visit our website [www.moistureshield.com](http://www.moistureshield.com) or call Customer Service at 866.729.2378.



**1" x 5" Essential**

ACTUAL DIMENSIONS:

1.0" x 5.0"

LENGTH: 12, 16 and 20 feet



**1" x 6" Vantage**

ACTUAL DIMENSIONS:

1.0" x 5.5"

LENGTH: 12, 16 and 20 feet



**1" x 6" PRO**

ACTUAL DIMENSIONS:

1.0" x 5.5"

LENGTH: 12, 16 and 20 feet



**2" x 4" Board**

ACTUAL DIMENSIONS:

1.5" x 3.5"

LENGTH: 12 and 16 feet



**2" x 6" Board**

ACTUAL DIMENSIONS:

1.5" x 5.5"

LENGTH: 12 and 16 feet



**Trim Board**

ACTUAL DIMENSIONS:

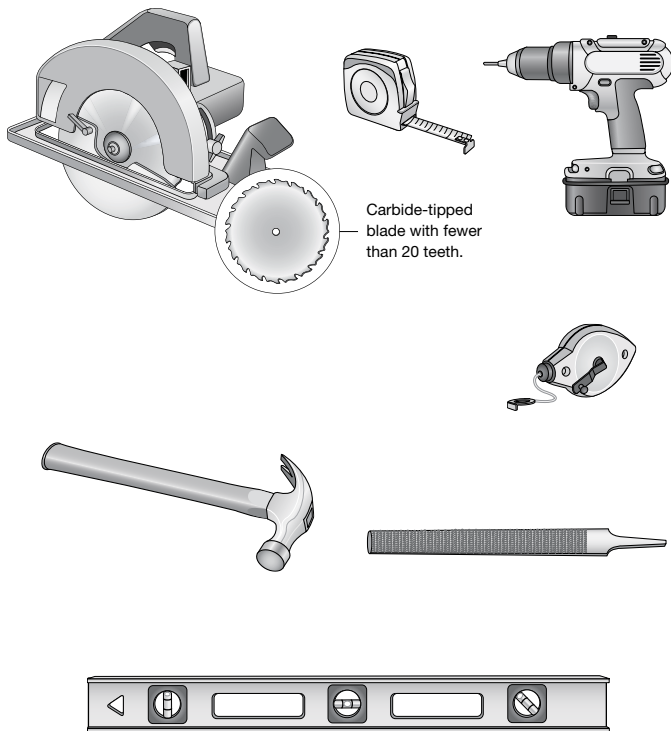
0.65" x 11.25"

LENGTH: 12 feet



## Tools

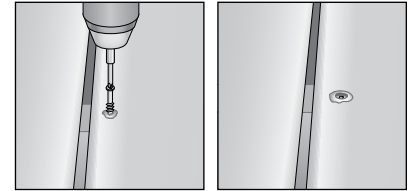
All you'll need is a hammer and screw gun, circular saw (carbide-tipped blade with fewer than 20 teeth is recommended), level, tape measure, rasp and blue chalk line. Manufacturer recommends blue chalk since other colored chalk may stain the deck.



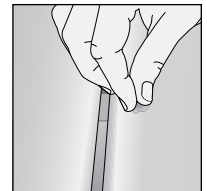
## Fasteners

Each post requires two, 1/2-inch, carriage bolts 8-inches minimum length with 1-1/4-inch flat washer on back with nut. For deck board fasteners, we recommend #7, 2-1/4-inch stainless steel trim head screws for the decking and railing. If you do not want the screw heads to show on the deck boards use the following technique:

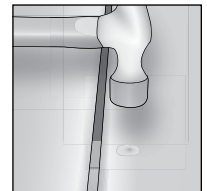
Using a #7, 2-1/4-inch stainless steel trim head screw, countersink the screw into the decking material approximately 1/4 of an inch.



Using your thumb, lightly push the displaced decking material over the hole left by the trim head screw.



Tap with a hammer, this will cover the trim head screw with decking material.



### \*INSTALLATION TIPS:

- Using a 2-inch driver bit allows you to better gauge screw depth.
- Tap hole with edge of hammer for best results.

## Building Code Requirements

For your convenience, some common building code requirements are reprinted here. Please check your local building codes requirements to be sure you are compliance in your area.

- Residential minimum handrail height is generally 36-inches.
- Multi-family minimum handrail height is sometimes 42-inches.
- Baluster maximum spacing is generally 4-inches (clear distance between balusters\*\*).
- Maximum gap between bottom rail and deck surface is generally 4-inches.\*\* Some codes require a 2-inch maximum gap for multi-family applications.

\*\* Spacing note: The precise language is generally "do not allow passage of a sphere 4-inch in diameter".

Be sure to check on the tolerance requirements of your local building code.

## Hidden Fasteners

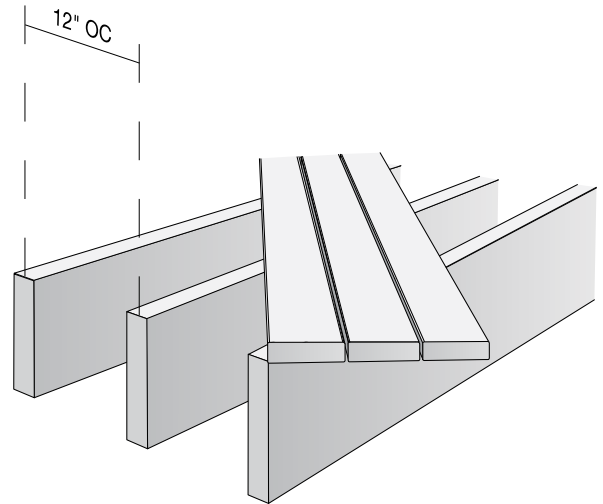
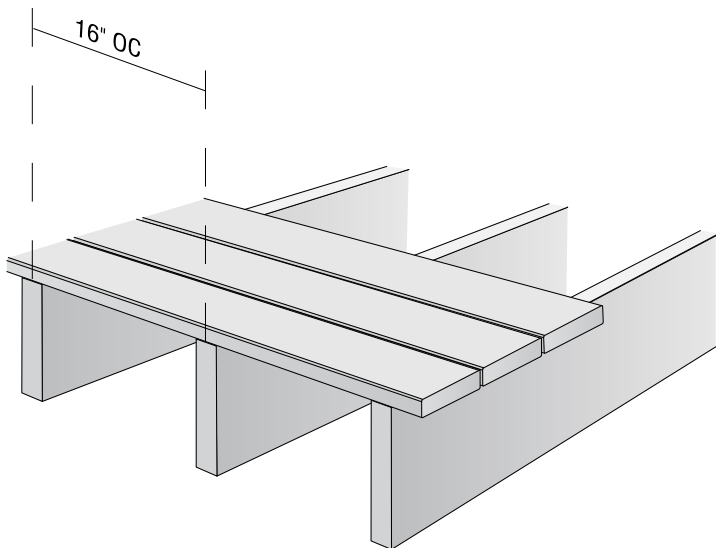
MoistureShield® Deck Clips provide superior holding power, with a custom design that fits securely into the grooved profile of a MoistureShield deck board. Like our composite decking our clips are both beautiful and durable, extending the life of your deck by elevating the boards off the joists to reduce structural rot and mold. They're even backed back a limited lifetime warranty against any loose deck boards.

Please see our [Deck Clip Installation Guide](#) for details on how to install your decking using our unique hidden fasteners.



1.

Layout and install joists at either 16-inch on-center (OC) when decking will be installed perpendicular to the joists, or 12-inch (OC) when deck boards will be installed diagonally or at an angle to the joists. Joists must be level.

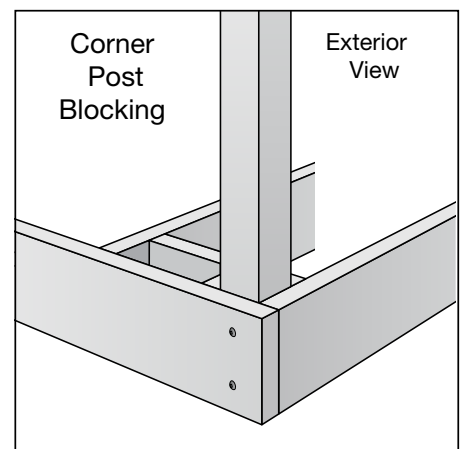
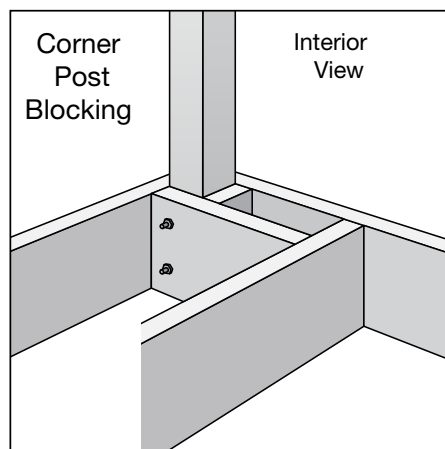
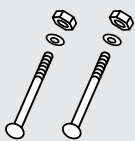


2.

Attach posts to decking frame. **DO NOT NOTCH POSTS.** The maximum distance from center of post to center of post is 72-inches. Square and level posts.

**A.** Block posts and attach to rim joists with two bolts (1/2-inch carriage bolts 8-inch - minimum length with 1-1/4-inch flat washer and nut on back).

Bolt positions: The top bolt to be no more than 3-inches below the finished deck surface and the bolt spacing to be no less than 4-inches on-center.



3.

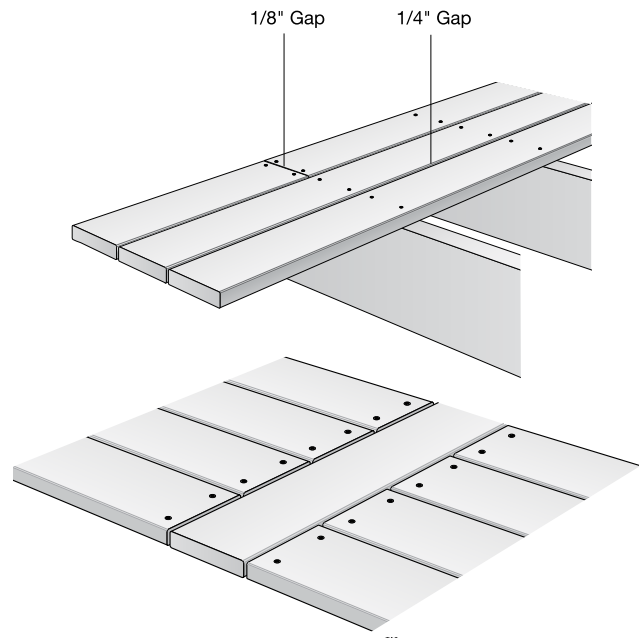
Install MoistureShield® decking using 2-1/4-inch, #7 stainless steel trim head screws, two screws per board per joist recommended. Screws should be a minimum of 1/2-inch from the board end.

**A.** Allow 1/4-inch side-to-side spacing between deck boards. Allow 1/8-inch (or greater) end-to-end spacing between ends of boards (butt joints). If installing in freezing weather, leave 1/4-inch (butt joints).

**B.** Cut deck boards to fit around post. Leave 1/8-inch gap between board and post.

**C.** Staggering the butt joints on long decks usually improves the overall appearance of the finished deck. Some people also prefer a distinctive pattern for the deck boards. To achieve an interesting design, install a pattern board, which eliminates butt joints.

**D.** Once the boards are in place, adjust the blade depth of your saw to match the thickness of your deck boards. Use a blue chalk line to mark your cut and go. To avoid staining the deck boards, use blue carpenter's chalk. Rasp the edges to finish.



**\*INSTALLATION TIPS:**

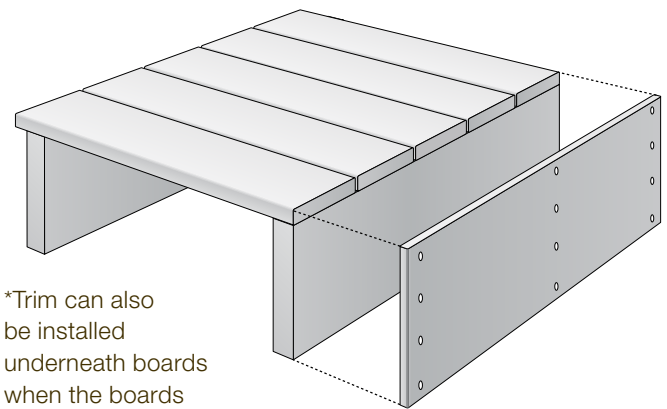
- Double joist at butt joint to ensure plenty of room for fasteners.
- Pre-drill using a 7/64-inch bit when too close to the edge to prevent splitting. Drive screw at a slight angle into joist.

4.

Additionally, for a finished look, install trim boards over the rim joists. Position flush with the top of the decking.

**A.** Attach using 2-1/4-inch, #7 stainless steel trim head screws. One screw through the end or side of the decking, and three screws into the rim joist vertically. Repeat this step every 10-12 inches horizontally through the length of the trim board.

**B.** We recommend putting the screw through the thickest part of the deck board (center between the top and bottom of the board) when attaching the trim board, then the other three into the rim joist.



\*Trim can also be installed underneath boards when the boards overlap the joist.

5.

Slip post collar over post onto deck if installing.

**\*INSTALLATION TIPS:**

- Router or rasp end of deck board using 1/4-inch round for a finished look.
- Allow 3/16-inch overhang for any rim joist imperfections (straight).
- If you choose not to use the trim board, maximum recommended overhang is 1-1/2-inches.

