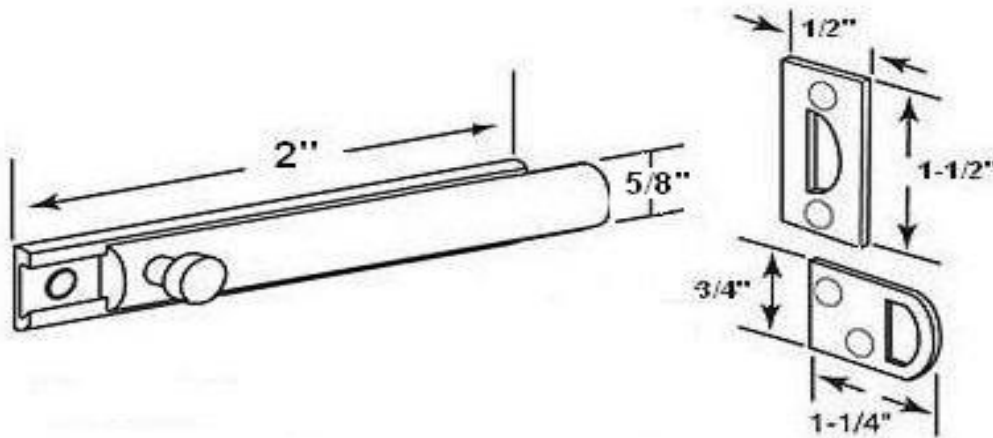


**Installation Instructions**  
**Professional Grade Quality Solid Brass**  
**2" Surface Bolt**  
**Item# 11042**

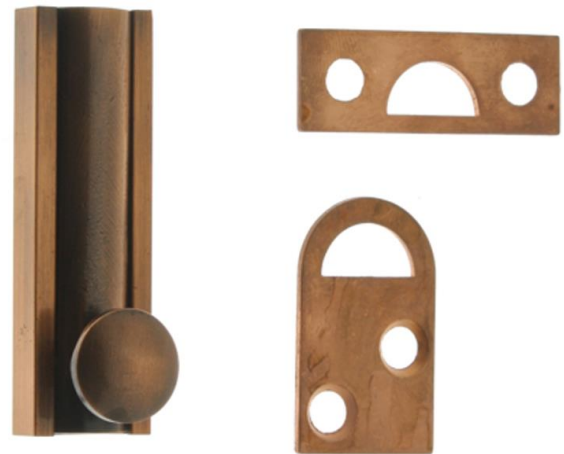
**Dimensions:**

- Length: 2"
- Width: 5/8"
- Throw: 7/16"
- Projection: 3/4" (base to top of knob)
- Net Weight: 1.50 oz.
- Gross Weight: 2 oz.
- Solid Brass Wood Screws

*Dimensions are for reference use only.  
 For exact dimensions, please measure actual part.*

**Installation Instructions:**

1. Position in desired position with edge of door.
2. Expose bottom screw hole by sliding bolt to up.
3. Mark position and drill 1/16" pilot hole 3/4" deep and secure with screw provided.
4. Same process for the top screw hole.
5. Position strike with bolt, trace and mortise 1/8" deep and drill 3/4" strike hole about 1" deep.
6. Re-align strike and drill 1/16" pilot holes 3/4" deep and secure with screws provided.
7. Align strike plate; mark position and drill 1/16" pilot hole 3/4" deep and secure with screws provided.



*Finish shown above in Antique Copper (08A)*

**Catalog Section: B**

**2" Surface Bolt**

**Item# 11042**

Date: Rev 04/18