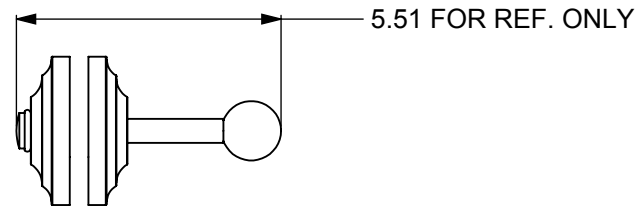
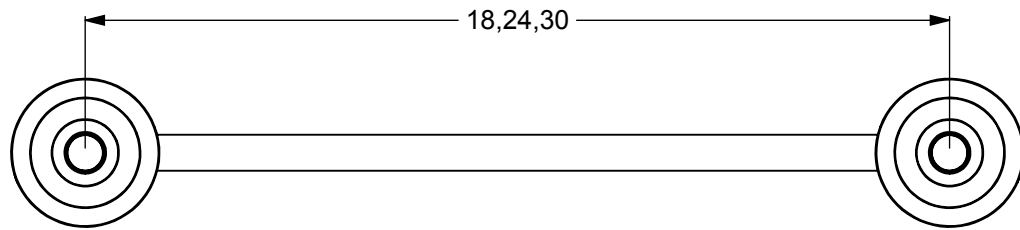
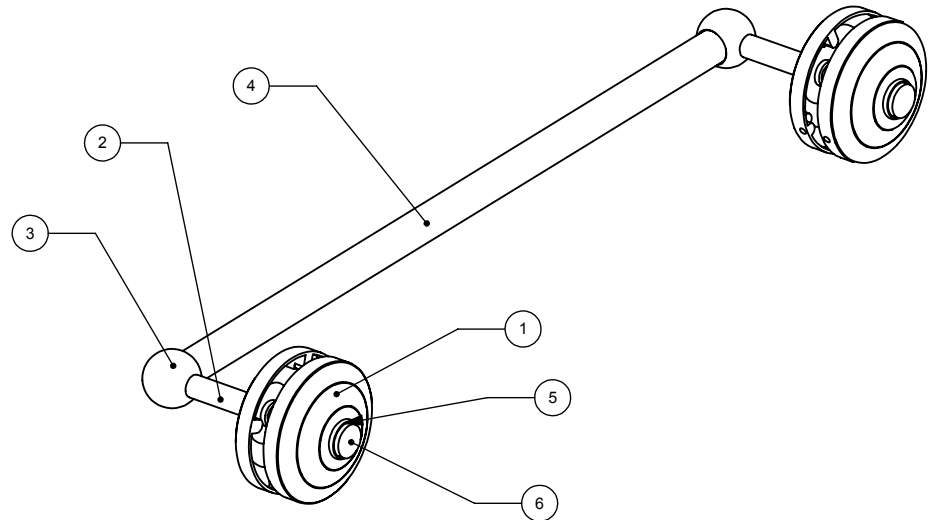
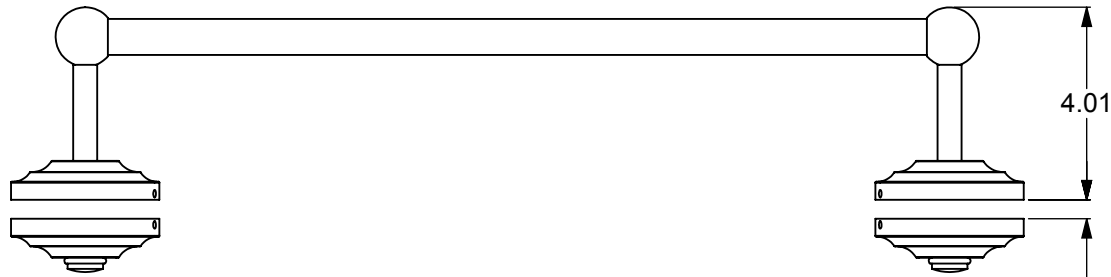


ITEM NO.	P/N	DESCRIPTION	QTY.
1	BPMC	BACKPLATE	4
2	TU12-2	NECK	2
3	BL34ST-1.25	HUB	2
4	TU34-18,24,30	TUBE	1
5	CRRD-34	CHECK RING	2
6	CARD-34	LOCK	2

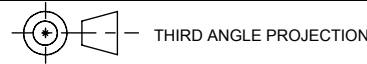


SPACE FOR GLASS DOOR


NOTES:
1. UNIT IS IN INCHES.

UNLESS OTHERWISE STATED	
.X	±.3mm
.XX	±.15mm
.XXX	±.008mm

COPYRIGHT © Allied Brass 2016



DRAWN	8/26/2016	I.M
CHECKED	8/26/2016	P.D
APPROVED	8/26/2016	R.A

MATERIAL:	BRASS
DESCRIPTION:	

FINISH	TBD
QUANTITY	TBD
DRAWING No.	REV
MC-41-SM	0
SCALE	SHEET: 01
1:4	A4