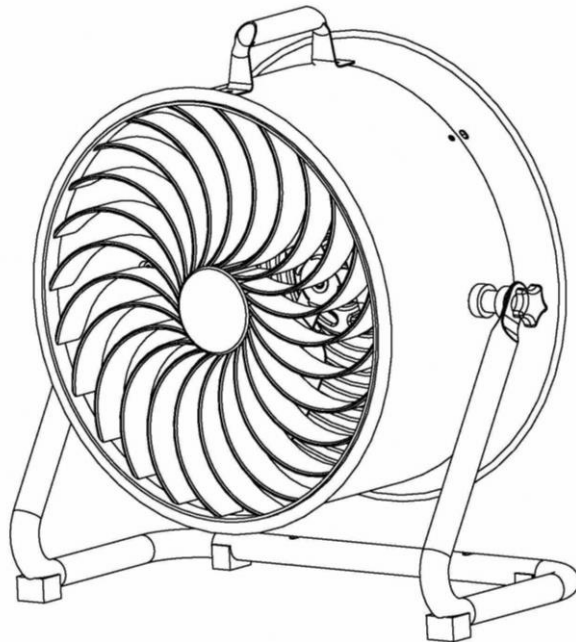


**16" TURBO
HIGH VELOCITY
FLOOR FAN**

MODEL HVFF16ORGPRO, HVFF16T RED

OWNER'S MANUAL



READ AND SAVE THESE INSTRUCTIONS.

ASSEMBLY AND OPERATING INSTRUCTIONS

CAUTION:

Read and follow all instructions before operating fan.
Do not use fan if any part is damaged or missing.

WARNING:

To reduce the risk of fire or electrical shock, do not expose to water or rain.
To reduce the risk of fire or electrical shock, do not use this fan with any solid state speed control device.
This appliance has a 3-prong plug. To reduce the risk of electrical shock, this plug is intended to fit in an outlet only one way.
If this does not fit the outlet, contact a qualified electrician. Do not attempt to bypass this procedure.
If the supply cord is damaged, it must be replaced by the manufacturer, its service agent or similarly qualified person in order to avoid a hazard.

RULES FOR SAFE OPERATION:

- Never insert fingers or any other objects through the grille guard when fan is in operation.
- Disconnect the fan when moving from one location to another.
- Disconnect the fan when removing guards for cleaning.
- Be sure fan is on a stable, flat surface when in operation.
- **DO NOT** use fan in windows. Rain and moisture may create electrical hazard.

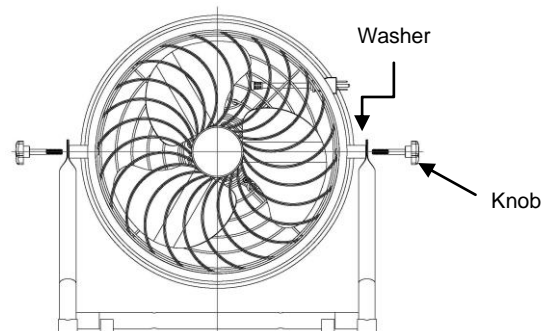
CAUTION: Do not alter the Fan's assembly.

WARNING: Be sure **FRONT** and **REAR GUARD** screw are completely screwed down in locking position before operation.

OPERATING INSTRUCTIONS

BASE ASSEMBLY:

1. Align one washer assembly with pre-drilled hole on side of fan housing.
2. Place base arm against washer assembly, aligning base hole with washer assembly hole.
3. Insert knob and tilt nut assembly through base hole and into washer, turning clockwise until tight.
4. Repeat for other side.



How To Adjust Tilt

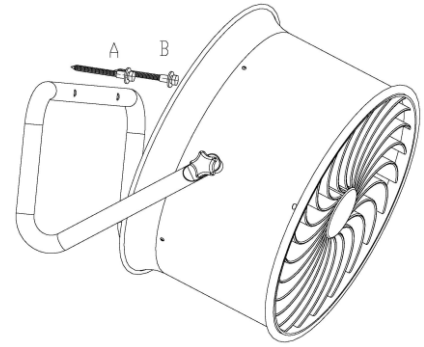
1. Use knob to loosen tilt nut by turning counter-clockwise.
2. Adjust fan head to tilt you want.
3. Tighten the tilt nut by turning clockwise.

SPEED CONTROL: Rotate SWITCH to LOW (1), MEDIUM (2) AND HIGH (3) speeds for respective air velocity. It is normal for the motor to feel warm to touch after continuous operation. This fan features a thermal cutoff that will automatically shut off should it overheat for any reason. If this happens, immediately unplug the fan from the outlet.

TO INSTALL AS WALL FAN (hardware not provided)

WARNING:

- Mount fan on a wooden wall only.
- To reduce the risk of electric shock and personal injury, ensure the location for all mounting is able to support this fan.
- Total weight of fan is 18 lbs (8 kg).
- This fan is recommended to be mounted by a qualified electrician.



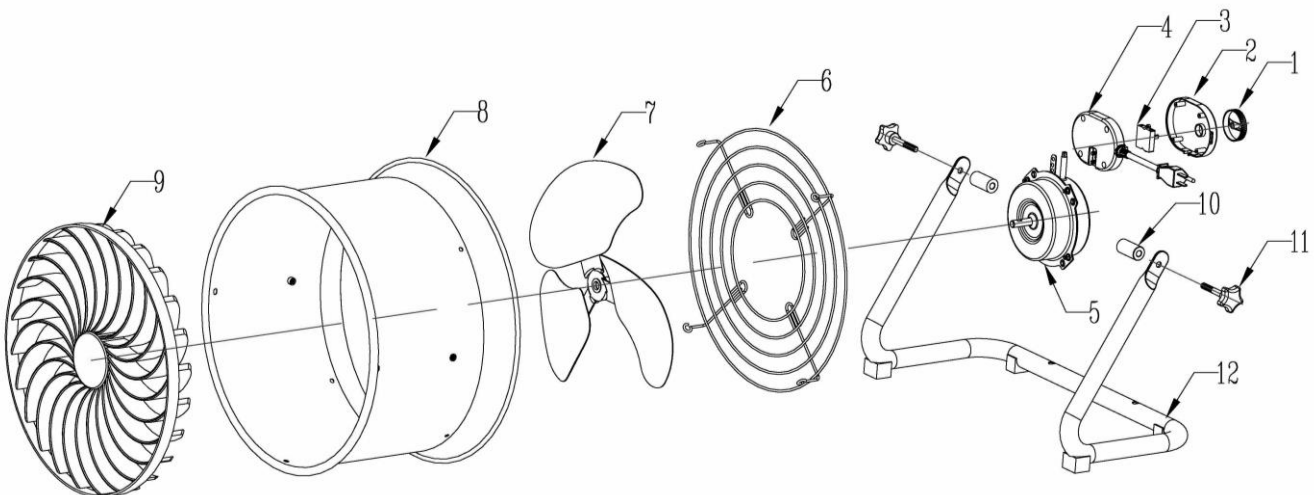
CLEANING

WARNING: Unplug from electrical supply source before cleaning.

After servicing, any safety device (including grilles and blades) must be reinstalled or remounted as previously installed:

- Use soft damp cloth to clean. Then wipe with dry cloth.
- Do not use a cleaning solution that is harmful to paints or plastics.
- Do not bend the blades.
- The motor bearings are permanently sealed and do not require additional lubrication.

WARNING: This product is not intended for use by persons including children with reduced physical, sensory or mental capabilities, or lack of experience and knowledge, unless they have been given supervision or instruction concerning use of the product by a person responsible for their safety. Children should be supervised to ensure that they do not play with the product.



No.	Part Name	No.	Part Name
1	KNOB	7	FAN BLADE
2	SWITCH BOX	8	METAL DRUM
3	ON/OFF SWITCH	9	FRONT GRILLE
4	SWITCH BOX	10	WASHER
5	MOTOR	11	KNOB
6	REAR GRILLE	12	STAND

LIMITED WARRANTY

Ventamatic, Ltd. extends this warranty to the original retail purchaser of its model or, if this unit is purchased and installed by a building contractor, then to the original owner of the home. No subsequent purchaser of the unit or of a home which it is installed is entitled to any of the benefits of this warranty.

This product is warranted against defects in materials and workmanship for a period of one (1) year from the date of original retail purchase. No other parts or components are warranted. There is no warranty for defects caused by abuse, faulty installation, or the like. Repairs or replacement parts supplied under this warranty are warranted only for the period of this warranty; that is, one (1) year from the date of the original retail purchase of the unit.

In the event of a defect or malfunction, we will replace or repair the defective part or component only and return the new or repaired part to you freight prepaid. You must bear all other expenses incurred in obtaining repairs, including labor required for old repair or replacement, and the cost of shipping the defective part to us. You must also bear the cost of repair to or replacement of any part or component and the shipping charges incurred for the repair or replacement and return to you of any part or component not covered by this warranty, including parts or components damaged by you.

The company reserves the right to demand and receive written evidence of the date of purchase before undertaking to perform its obligations under this warranty. You should, therefore, retain your sales slip and attach a copy of it to the warranty claim. In order to obtain the repair or replacement of this unit, you must select one of the following methods:

A. Return to factory.

Return postage prepaid only the part or component which you believe to be defective to the following address:

Ventamatic, Ltd.
100 Washington Street
Mineral Wells, TX 76067

*Complete and enclose a written claim
and attach a copy of your sales slip or
other proof of purchase.

B. Return to retail dealer.

If the retail dealer from whom you purchased this unit stocks replacement parts or components, you may return a part or component which you believe to be defective to that dealer for replacement.

CAUTION: ONLY A LIMITED NUMBER OF OUR RETAIL DEALERS STOCK REPLACEMENT PARTS. IF YOUR DEALER DOES NOT, YOU MUST RETURN THE PART TO THE FACTORY FOLLOWING THE PROCEDURE DESCRIBED IN PARAGRAPH "A" ABOVE.

There is no informal dispute settling mechanism available in the event of a controversy involving this warranty. Any and all implied warranties which may exist terminate upon the expiration of this warranty one (1) year from the date of the original retail purchase. Some states do not allow limitations on how long an implied warranty lasts, so this limitation may not apply to you.

Ventamatic, Ltd. is not liable to you for incidental or consequential damages arising out of a defect or malfunction of a unit or its installation or out of any alleged breach of this warranty. Some states do not allow the exclusion or limitation of incidental or consequential damages, so this limitation may not apply to you.

This warranty gives you specific legal rights and you may also have other rights which may vary from state to state.