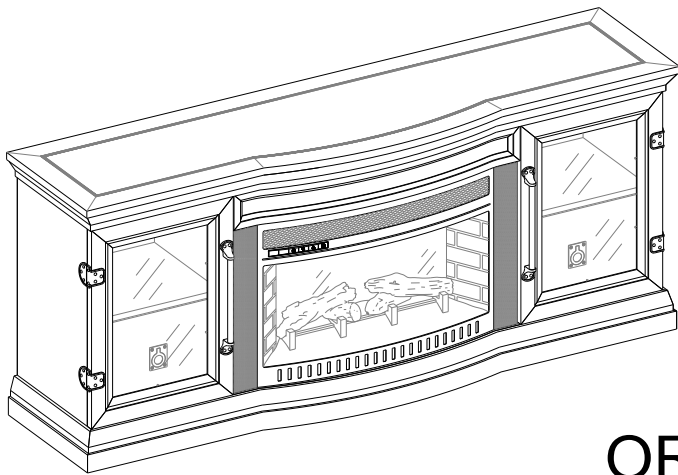
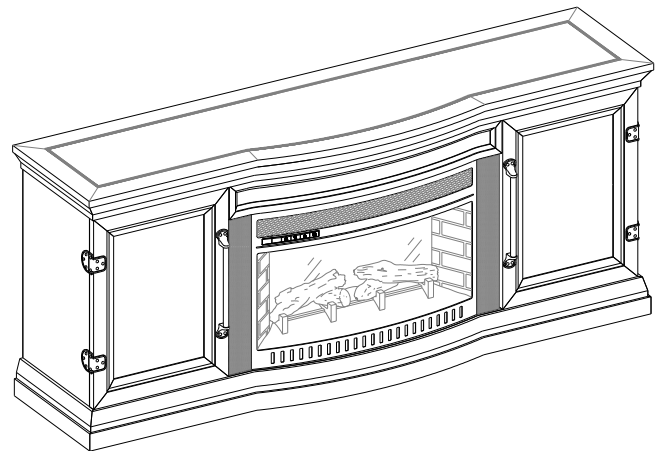


ASSEMBLY INSTRUCTIONS

**Cinder Lake 65 in. Low Wide Media Console
Infrared Electric Fireplace with Sound Bar in Gray finish**



OR



Questions, problems, missing parts? Before returning to the store,
call Home Decorators Collection Customer Service
8 a.m. - 7 p.m., EST, Monday-Friday
9 a.m. - 6 p.m., EST, Saturday

1-800-986-3460

HOMEDEPOT.COM/HOMEDECORATORS

THANK YOU

We appreciate the trust and confidence you have placed in Home Decorators Collection through the purchase of this fireplace console. We strive to continually create quality products designed to enhance your home. Visit us online to see our full line of products available for your home improvement needs. Thank you for choosing Home Decorators Collection!

Table of Contents

Table of Contents	2	Hardware Included	3
Safety Information	2	Package Contents	4
Warranty	2	Assembly	5
Pre-Assembly	2	Care and Maintenance	14
Planning Assembly	2		
Tools required	2		

Safety Information

Please read and understand these instructions before assembling and using this console. Save these instructions for future reference.

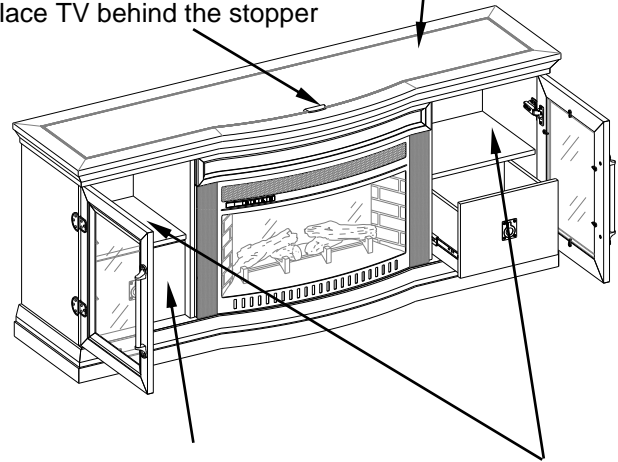
MAXIMUM RECOMMENDED WEIGHT LOADS



WARNING: This unit is not intended for use with CRT TVs. Use only with flat panel TVs and audio/video equipment meeting recommended size and weight limits. Never use with larger/heavier than recommended flat panel TVs or equipment. To avoid instability, place flat panel TV in the center of the unit; the base of the television must be able to rest on the supporting surface of the unit without over-hanging the edges. Improperly positioned flat panel TVs, or flat panel TVs or other equipment that exceeds recommended size and weight limits could fall off or break the unit, causing possible serious injury.

Fits up to most 190.5 cm / 75 in. flat panel TVs
Maximum load 61.2 kg / 135 lb

Place TV behind the stopper



Maximum load 4.5 kg / 10 lb

Maximum load 22.6 kg / 50 lb

Warranty

We are confident that you will be delighted with this purchase. Should this product be defective in workmanship or materials, or fail under normal use, we will repair or replace it for a period of up to one (1) year from date of purchase.

This warranty gives you specific rights and you may also have other rights which vary from state to state.

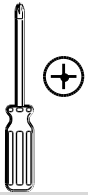
Contact the Customer Service Team at 1-800-986-3460 or visit www.HomeDepot.com/homedecorators.

Pre-Assembly

PLANNING ASSEMBLY

Compare all parts with the Hardware Included and Package Contents list. If any part appears missing or damaged, do not assemble this product and contact the Customer Service Team at 1-800-986-3460.

TOOLS REQUIRED



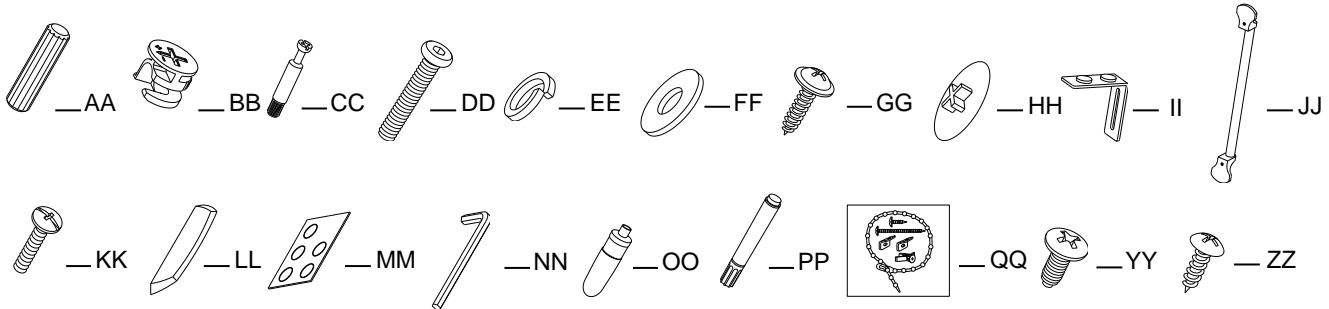
Phillips
screwdriver
(not provided)

Pre-Assembly (continued)

HARDWARE INCLUDED



NOTE: Hardware not shown to actual size.

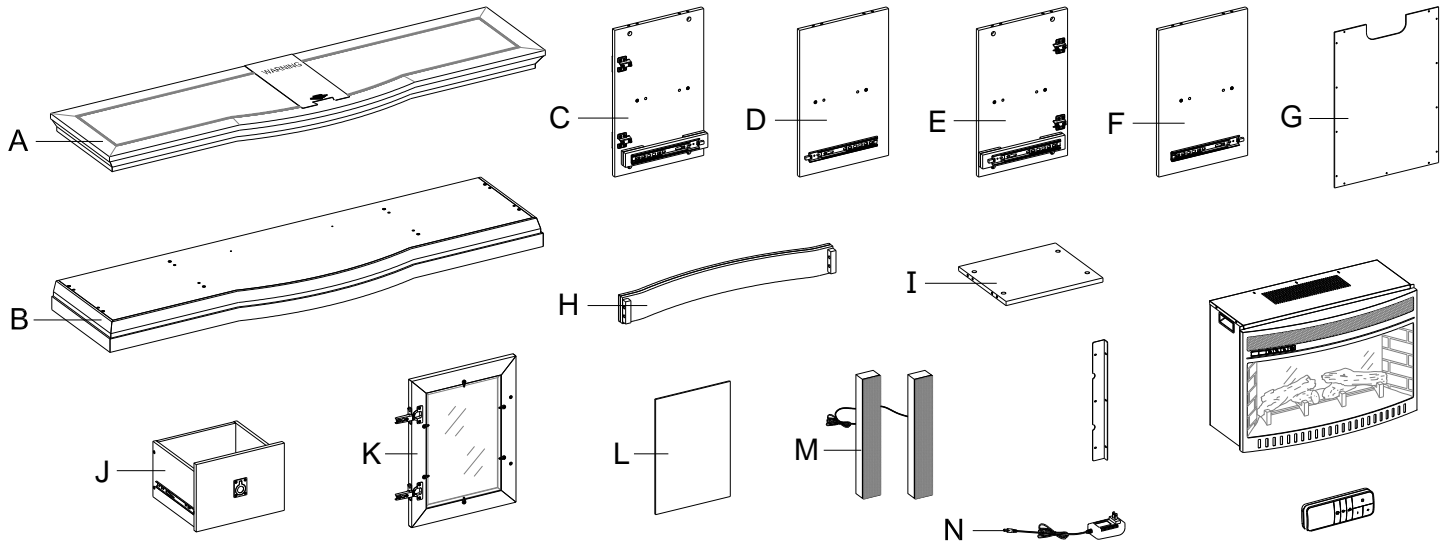


Part	Description	Quantity
AA	Wood dowel	24 + 1 extra
BB	Cam lock	24 + 1 extra
CC	Cam bolt	24 + 1 extra
DD	Bolt	4 + 1 extra
EE	Lock washer	4 + 1 extra
FF	Flat Washer	4 + 1 extra
GG	Washer head screw	28 + 1 extra
HH	Cam lock cover	4 + 1 extra
II	L-shaped metal brace	2
JJ	Handle	2

Part	Description	Quantity
KK	Handle bolt	4
LL	Acrylic stopper	1
MM	Rubber bumper	4 + 1 extra
NN	Hex wrench	1
OO	Glue	1
PP	Touch-up pen	1
QQ	Tipping restraint hardware kit	2
YY	Flat head screw (included in fireplace insert package)	6
ZZ	Pan head screw (included in fireplace insert package)	6

Pre-Assembly (continued)

PACKAGE CONTENTS



Part	Description	Quantity
A	Top panel	1
B	Base	1
C	Left Side panel	1
D	Left partition panel	1
E	Right Side panel	1
F	Right partition panel	1
G	Side back panel	2
H	Middle crossbar	1
I	fixed shelf	2

Part	Description	Quantity
J	Drawer	2
K	Door	2
L	Wood door panel	2
M	Loudspeaker box	2
N	Plug	1
	Metal trim	2
	Fireplace insert	1
	Remote control with battery	1

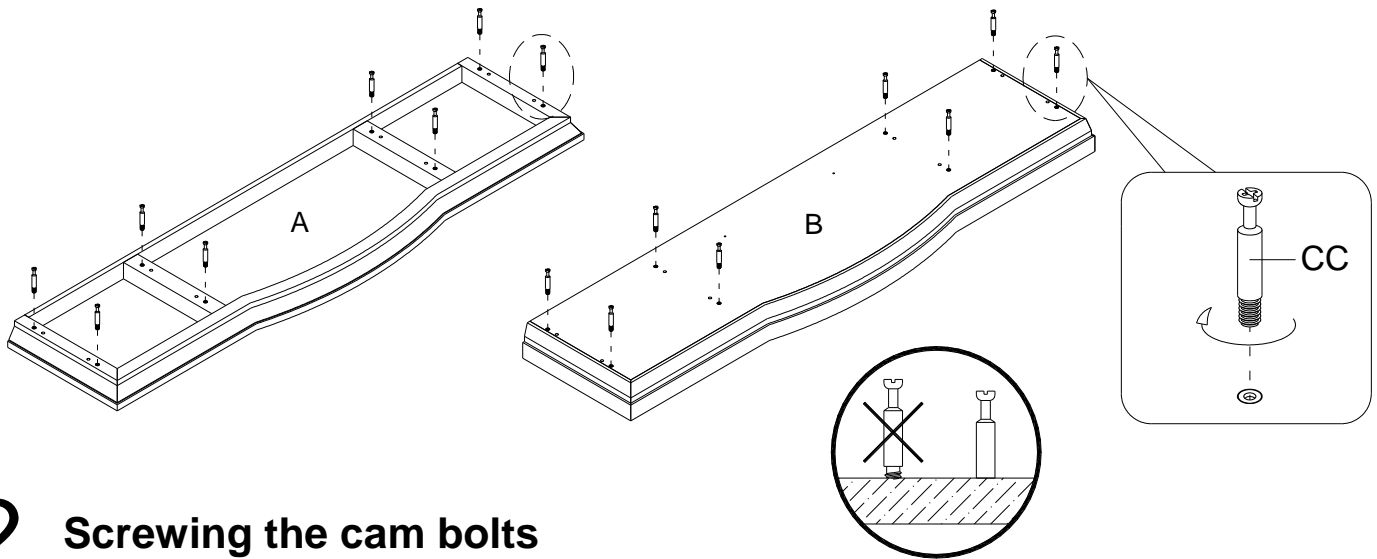
Assembly

1 Screwing the cam bolts



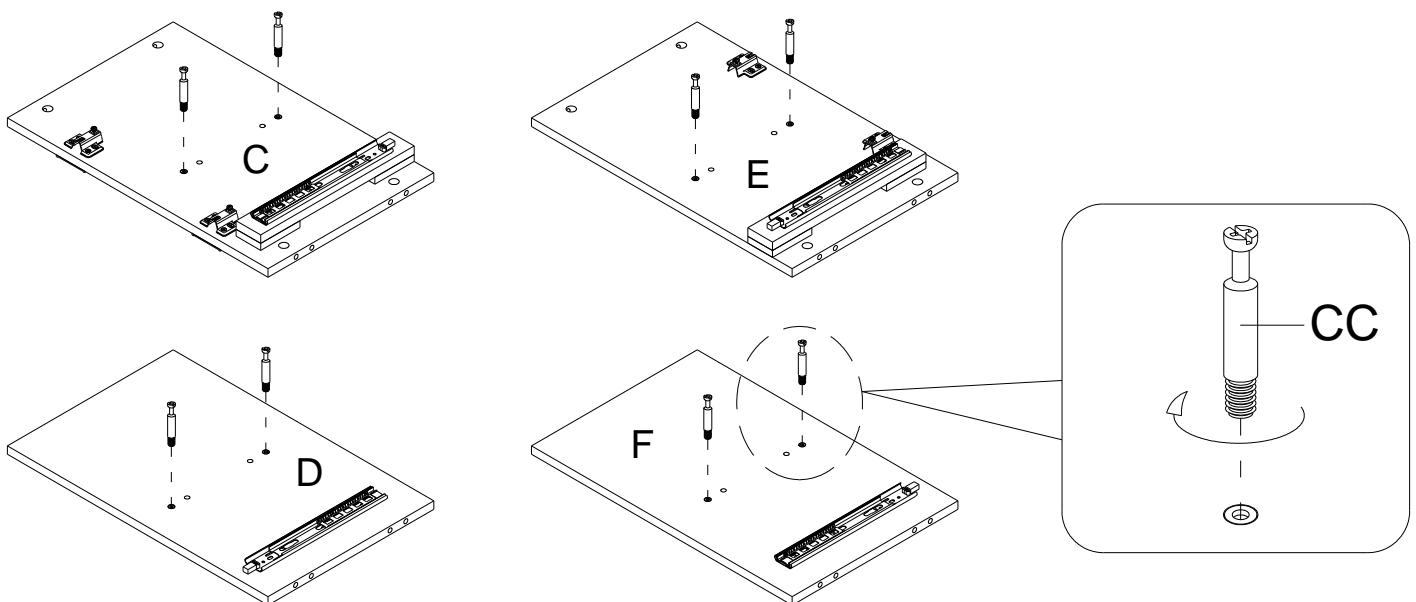
NOTE: Do not fully tighten all bolts until you finish assembling all parts. Once assembled, go back and fully tighten all bolts. This will make the assembly easier.

- Unpack the unit and confirm that you have all the hardware and required parts. Assemble the unit on a carpeted floor or the empty carton to avoid any scratches.
- Securely screw the cam bolts (CC) into the designated plastic bushings on the partition panels (D and E) and top panel and base (A and B). Fully tighten with a Phillips screwdriver.



2 Screwing the cam bolts

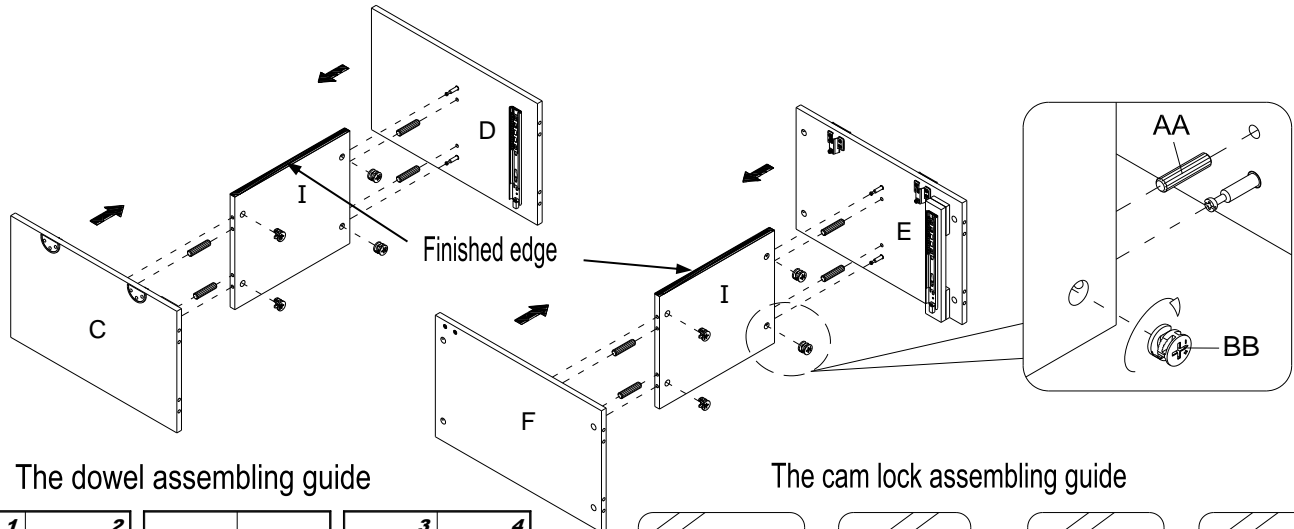
- Securely screw the cam bolts (CC) into the designated plastic bushings on the panels (C, D, E and F). Fully tighten with a Phillips screwdriver.



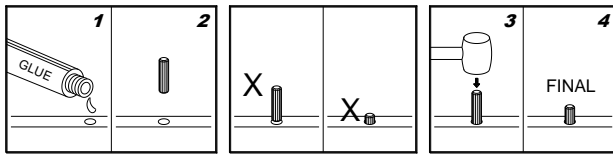
Assembly (continued)

3 Attaching the fixed shelves

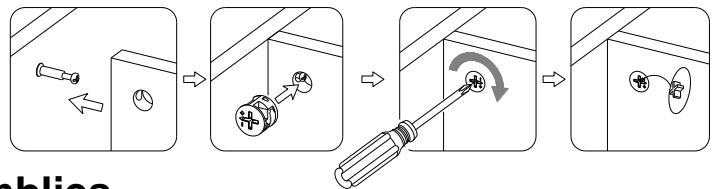
- Insert four wood dowels (AA) into the inner holes of one fixed shelf (I) at both ends and attach it between the left panels (C and D) by engaging four cam locks (BB), as shown.
- Repeat the same procedure to combine the other fixed shelf (I) and right panels (E and F) together.



The dowel assembling guide



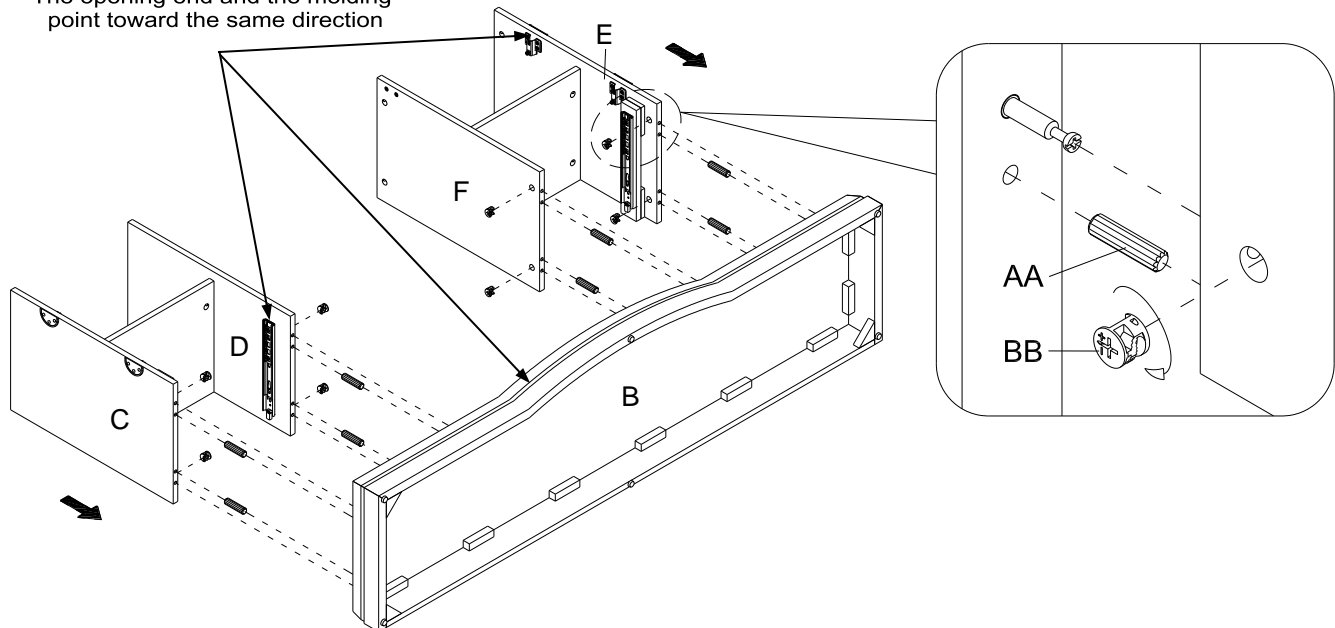
The cam lock assembling guide



4 Attaching the fixed shelf assemblies

- Glue eight wood dowels (AA) into the bottom inner holes of both fixed shelf assemblies.
- Align the large holes on the base (B) with the inserted wood dowels (AA) and press them together. Secure the fixed shelf assemblies in place by engaging eight cam locks (BB).

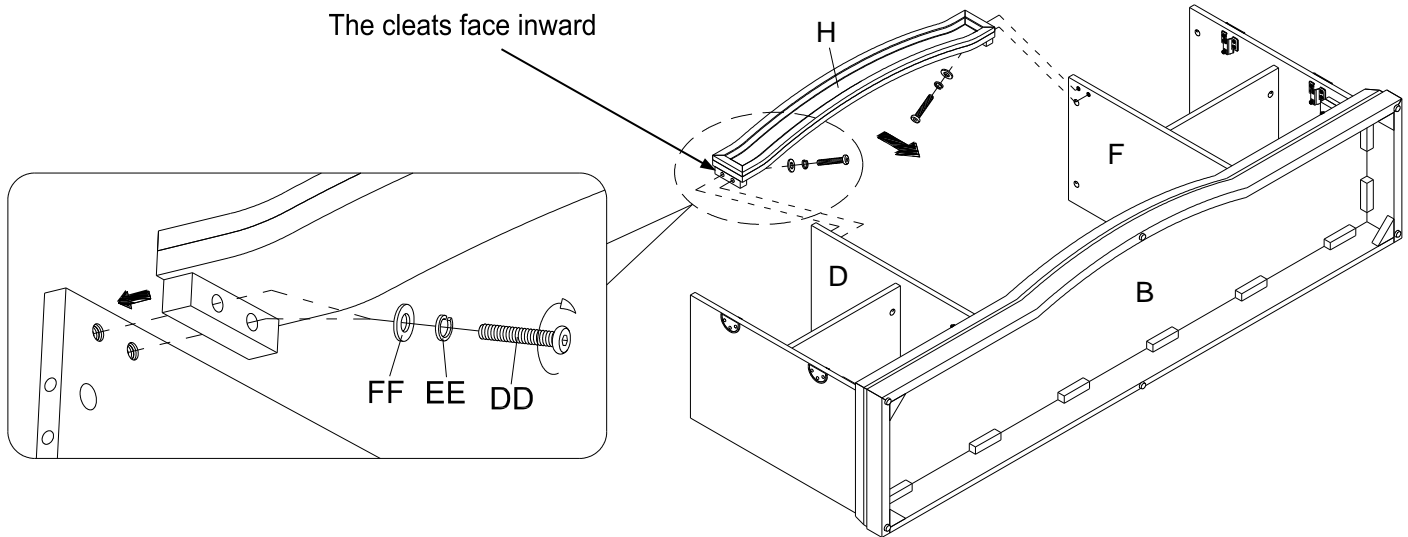
The opening end and the molding point toward the same direction



Assembly (continued)

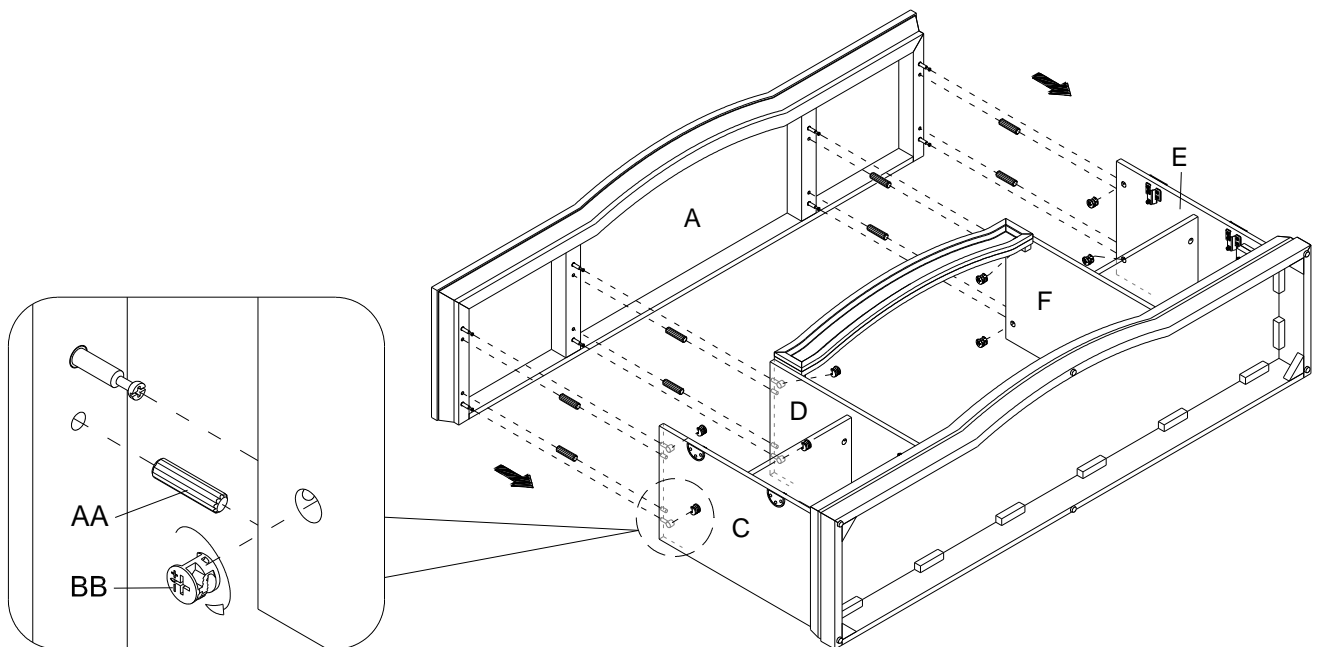
5 Installing the middle crossbar

- Attach the middle crossbar (H) between the partition panels (D and F) by engaging four bolts (DD) and four washers (EE and FF), as shown.



6 Attaching the top panel

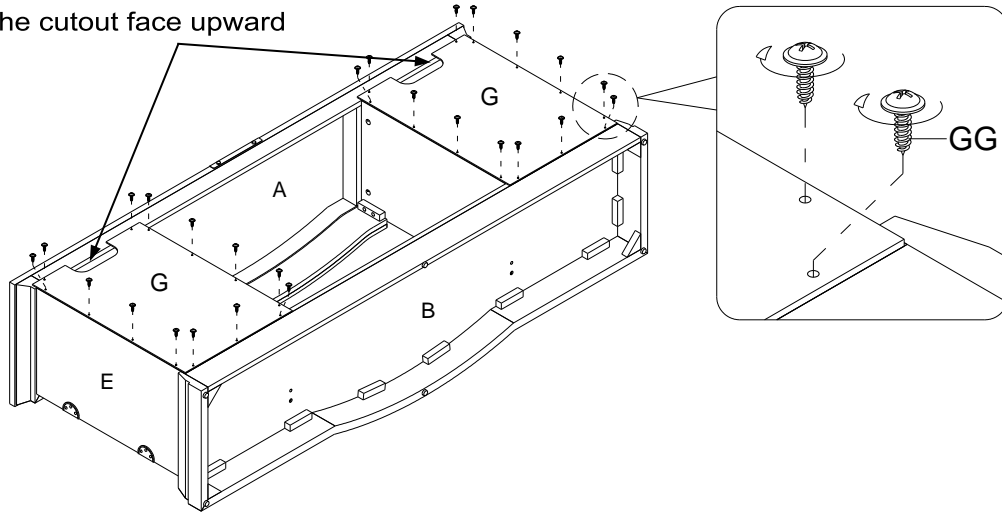
- Glue eight wood dowels (AA) into the top inner holes on panels (C, D, E and F). Position the top panel (A) onto the inserted wood dowels (AA) and fasten it in place with eight cam locks (BB).



Assembly (continued)

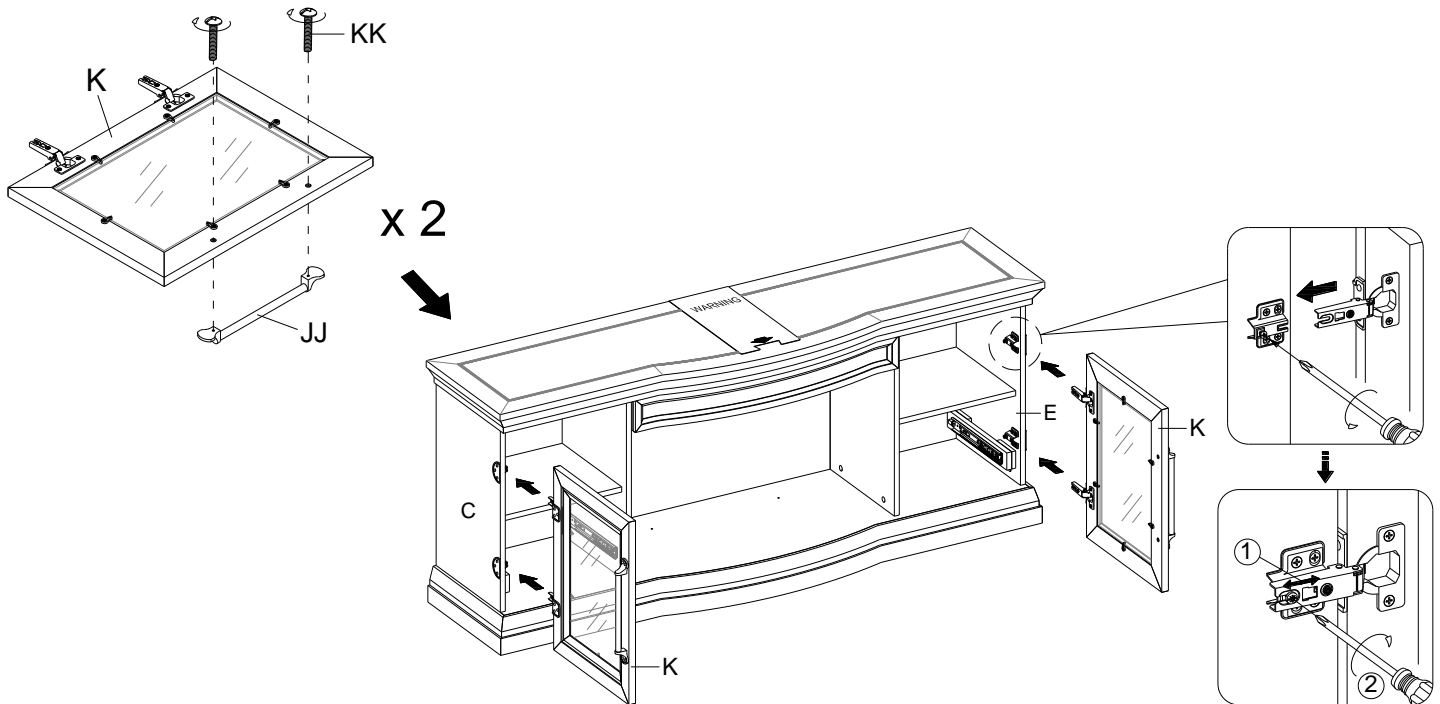
7 Attaching the back panels

- Pick up the back panels (G) and align the drilled holes against the upper long edge with the pilot holes on the back stretcher of top panel (A). Attach the back panels (G) in place using the provided washer head screws (GG). The cutout face upward



8 Installing the handle and the doors

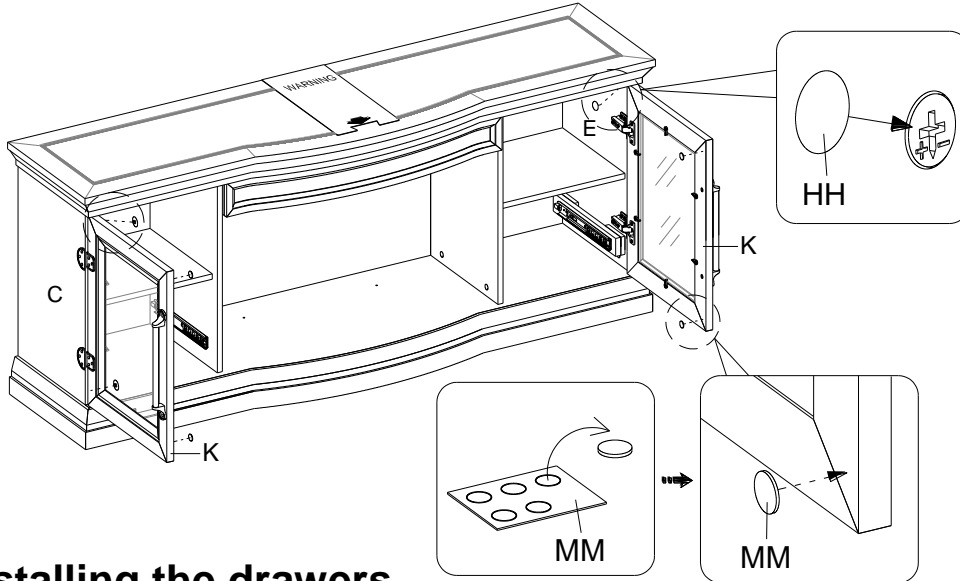
- Attach one handle (JJ) to the front side of each door (K) with the provide handle bolt (KK).
- Pick up one door (K) and attach the extended hinge arms to the hinge bases installed on the left side panel (C). Loosen the bolt on the back of the hinge base for an easy fit. Align and insert the "U" slot on the hinge arm under the bolt head on the back of the hinge base. Make sure that both door hinges engage and function properly. Tighten the bolt on the hinge base to lock the hinges in place.
- Repeat the same procedure to attach the other door (K) at the opposite side.
- Open and close the doors to make sure they are aligned and shut correctly. If necessary, adjust the screws for a good fit. Refer to the hinge sticker on the door for adjustment.



Assembly (continued)

9 Attaching the rubber bumper and the cam lock cover

- Stick the rubber bumpers (MM) at the outer corners of both doors (K) as shown.
- Plug the cam lock covers (HH) onto the visible cam locks to conceal the cams.

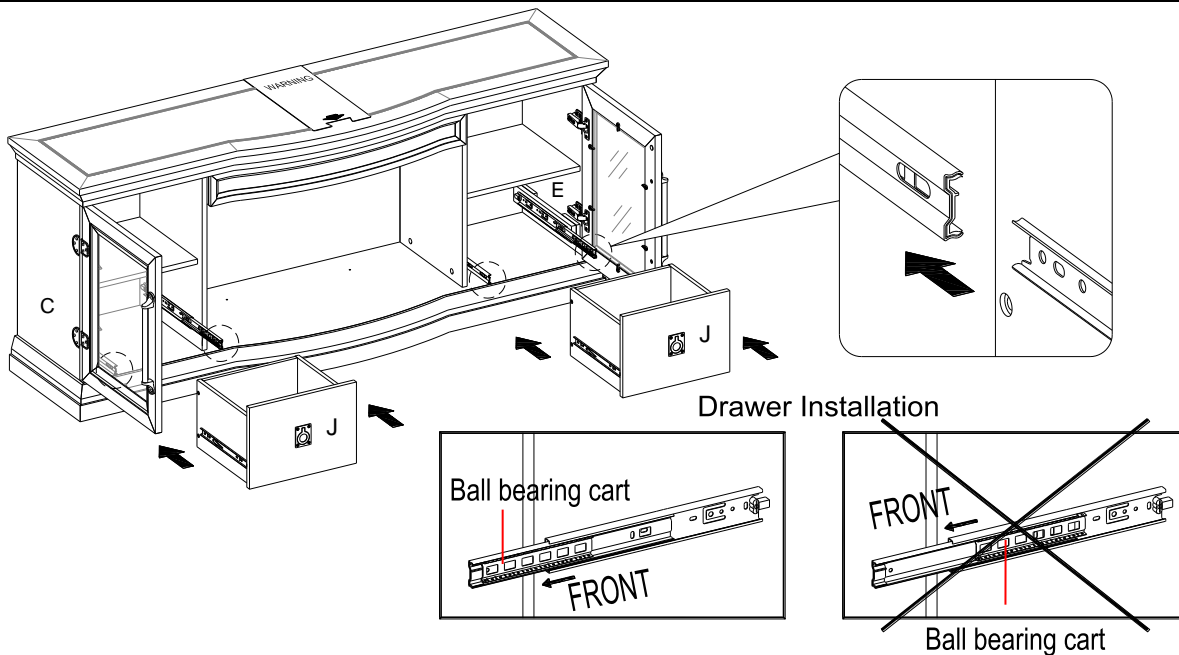


10 Installing the drawers

- Insert the drawer into the frame. Extend the ball bearing slide tracks on the panels all the way forward (including ball bearing cart). Then align the slide runners on the drawer with the slide tracks and push the drawer carefully inside until it stops.



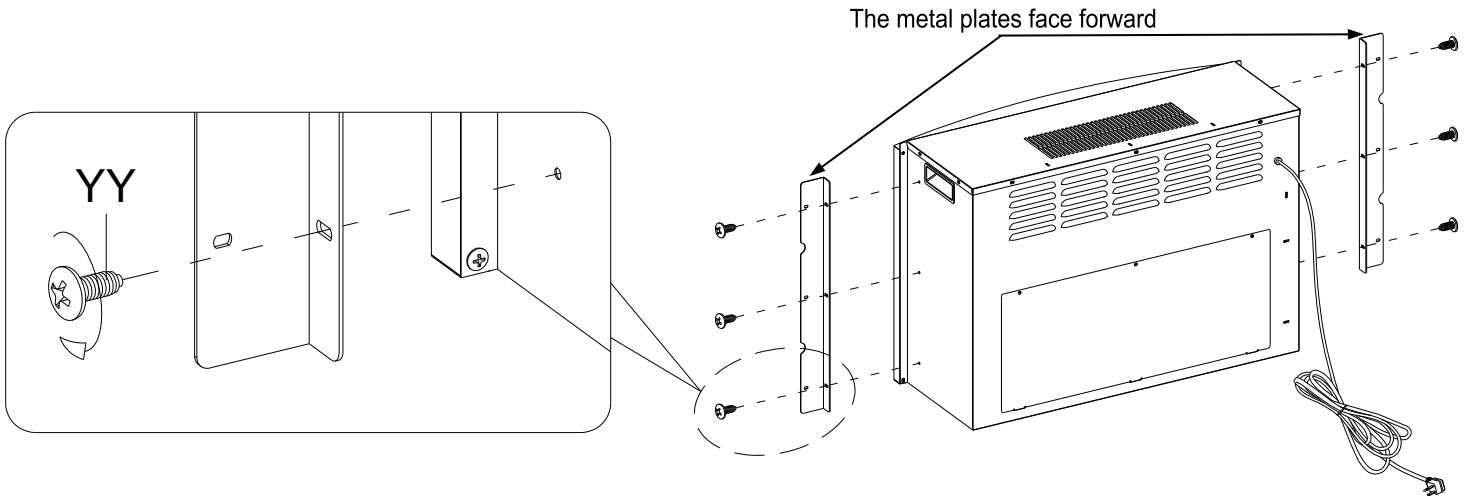
NOTE: If the drawer does not go in smoothly, please take it out and repeat the step. If you need to remove the drawer, please pull the drawer all the way out, then simultaneously push the plastic release lever of the ball bearing slides up on one side and down on the other side, and then pull it completely out.



Assembly (continued)

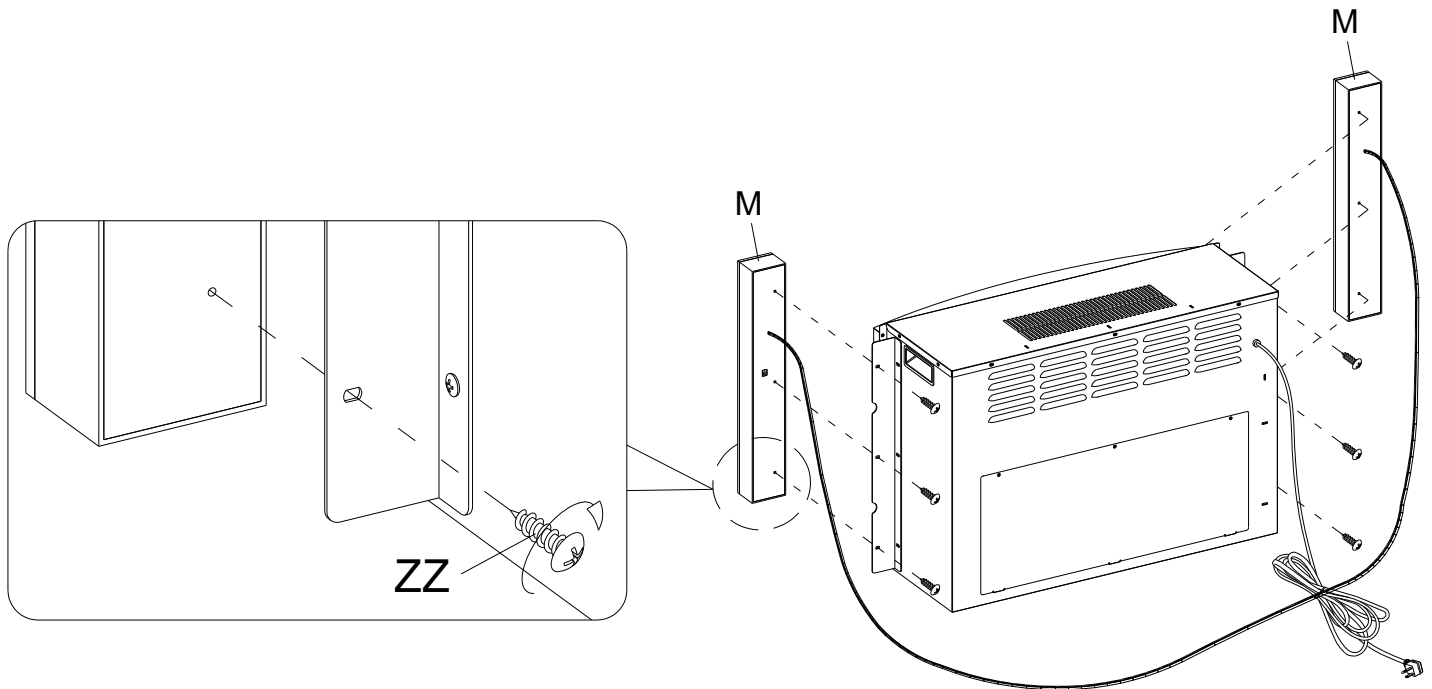
11 Installing the metal trims

- Attach the metal trims to the both side of fireplace insert with the provide screws (YY).



12 Installing the loudspeaker box

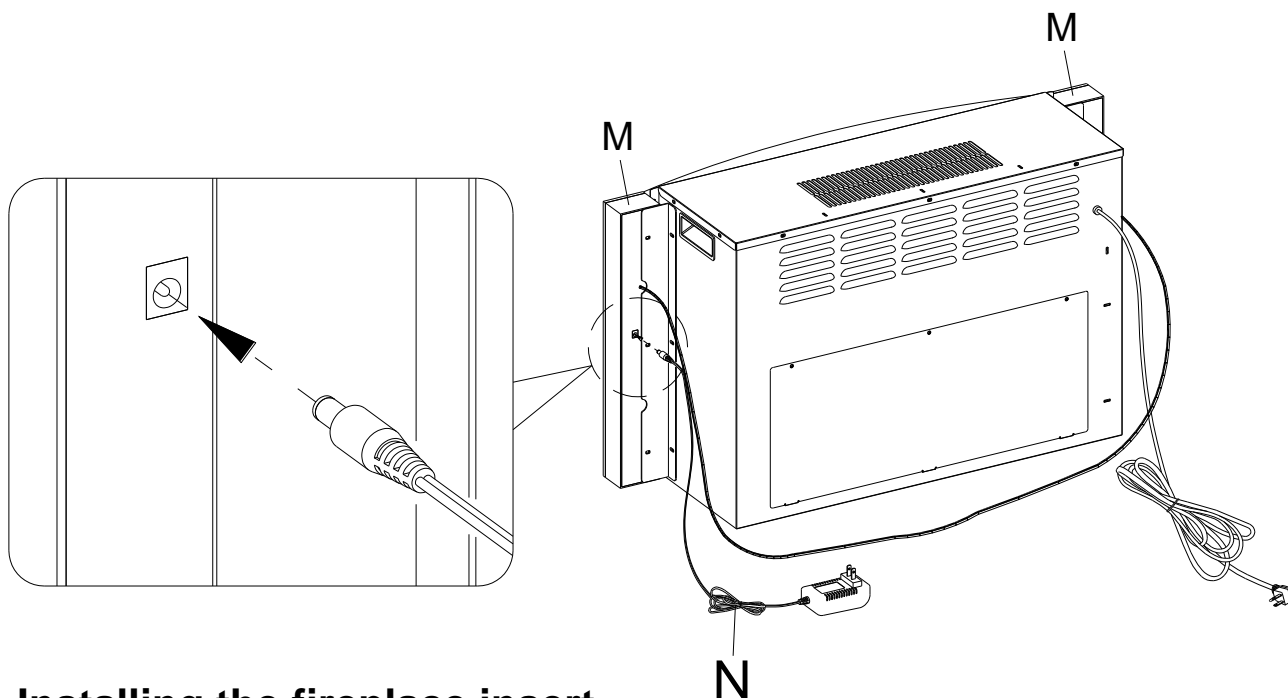
- Attach the loudspeaker boxes to the metal trims with the provide pan head screws (ZZ).



Assembly (continued)

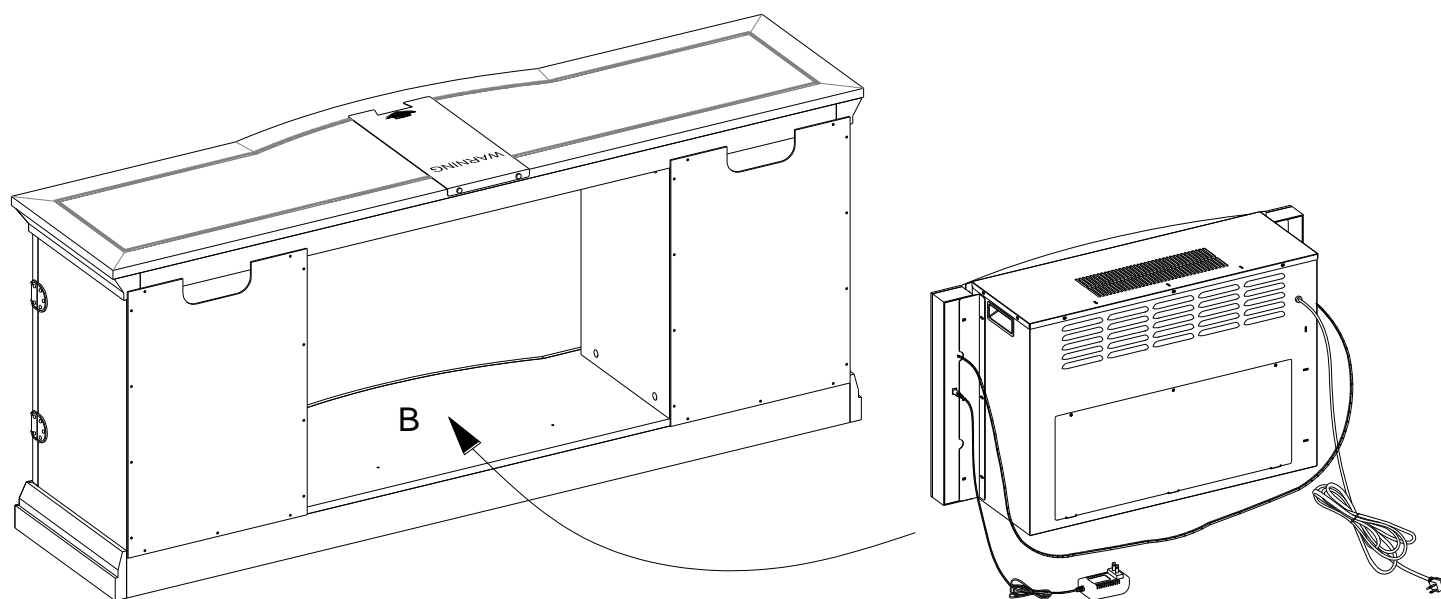
13 Installing the plug

- Connect the plug (N) to the loudspeaker box.



14 Installing the fireplace insert

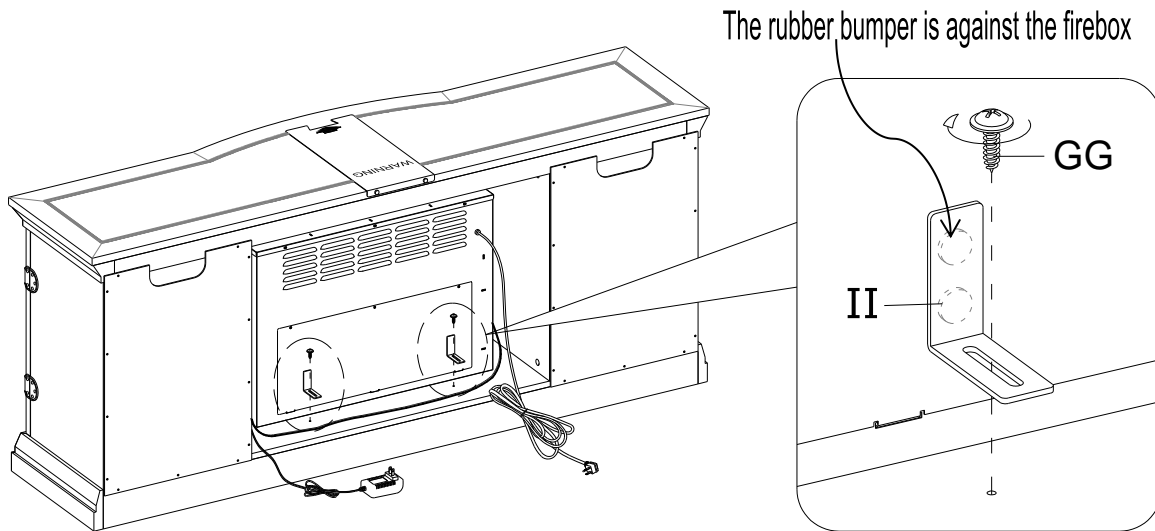
- Lift the fireplace insert carefully into the back of the assembled mantel and center it in the opening. DO NOT drag the insert across the bottom panel (B) as it may scratch the unit.



Assembly (continued)

15 Attaching the L-shaped metal braces

- Using the pilot holes as a guide, align and attach two L-shaped metal braces (II) to the bottom panel (B) by screwing one washer head screw (GG) in each.

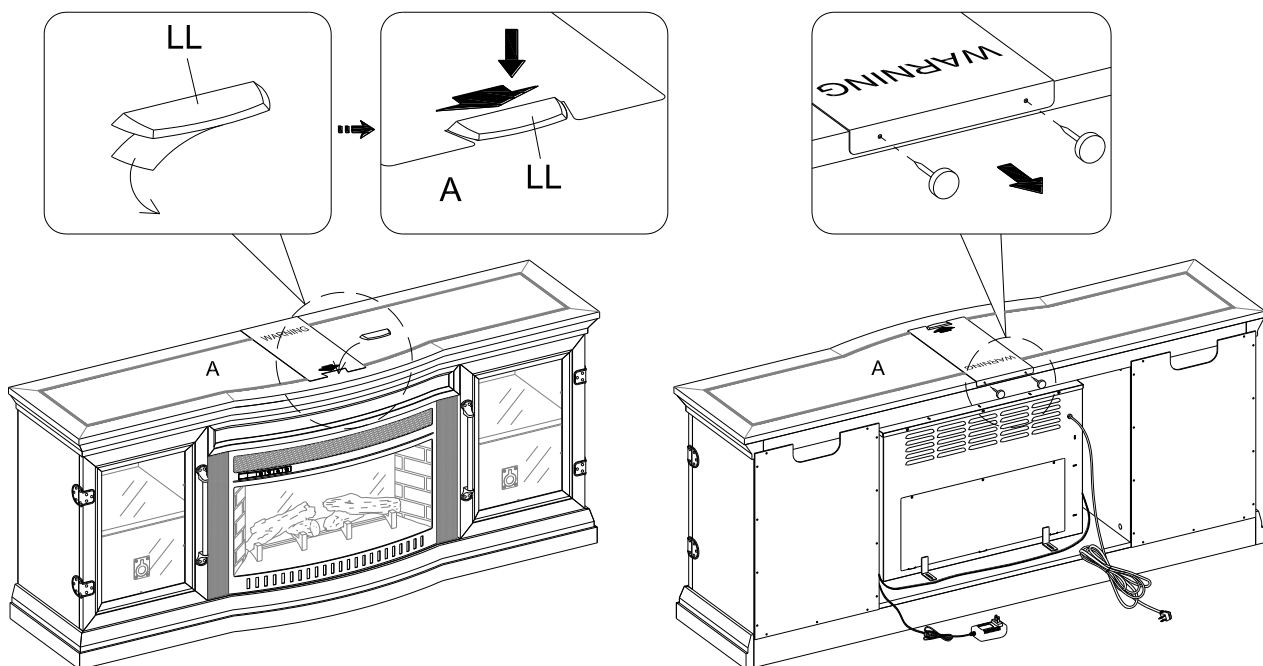


16 Installing the acrylic stopper

- Remove the paper backing from the acrylic stopper (LL), then properly align the acrylic stopper into the cut-out on the acrylic stopper template on the front of the top panel (A). Press down on the acrylic stopper to help adhesion.
- At the back of the top panel (A), carefully pull out the thumb tacks to remove the acrylic stopper template.



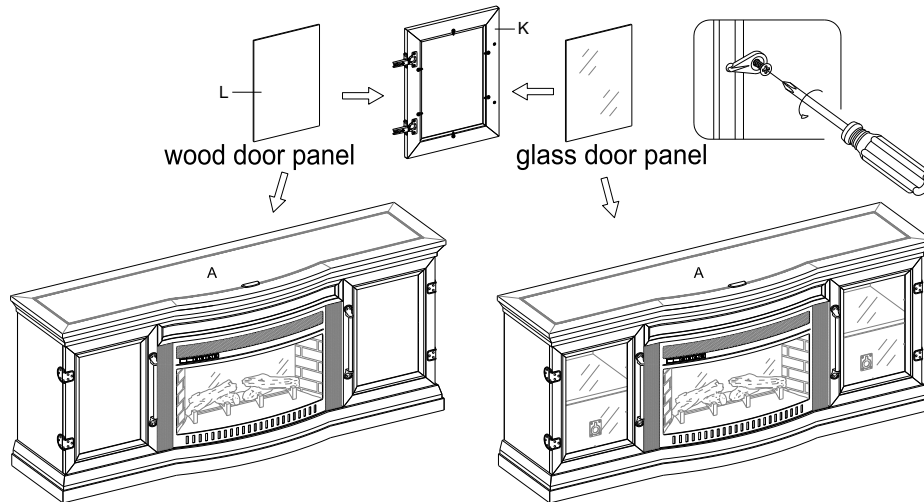
NOTE: You must install the acrylic TV stopper to prevent TV from tipping when placing your flat panel television on the table-top



Assembly (continued)

17 Change wood door panels

- The doors of this unit are shipped with the glass insert. You can keep the doors as they are, or interchange the insert panel with the wood panel (L), depending on the desired configuration.
- To change door panels, loosen the screws on the inside of the door and rotate the clips to remove the panel. Replace with desired panel, then rotate clips to secure the panel within the door frame and tighten screws.

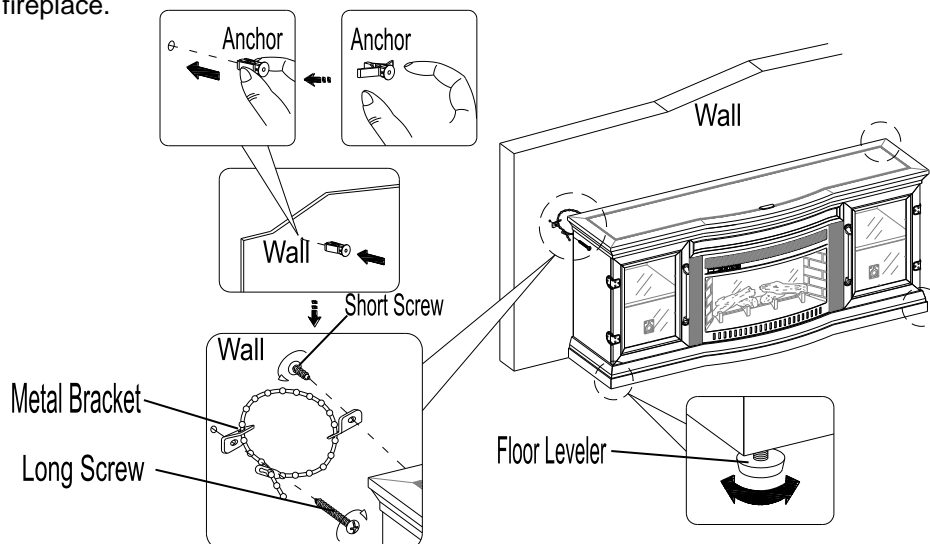


18 Installing the tipping restraint hardware



WARNING: Young children can be seriously injured by tipping furniture. You must install the tipping restraint hardware with the unit to prevent the unit from tipping, causing any accidents or damage. The tipping restraints are intended only as a deterrent, they are not a substitute for proper adult supervision. The tipping restraints are not earthquake restraints. If you wish to add the extra security of earthquake restraints, they must be purchased and installed separately.

- With assistance, position the assembled fireplace at the desired location against a wall. In case of uneven floor, floor levelers are provided at the bottom of the mantel. If necessary, adjust the floor levelers by hand to correct tilting and/or level the doors, until the unit is level.
- Follow the instructions printed on the plastic bag containing the tipping hardware to attach the tip-over restraint to the unit and the wall.
- Connect the fireplace to the power transformer. Follow the operating manual for the electric fireplace insert to control your fireplace.



Care and Maintenance

A Touch-up Pen has been provided to repair any small nicks or scratches that may occur during assembly or shipping. To clean and care for your furniture:

- Use a soft, clean cloth that will not scratch the surface when dusting.
- Use of furniture polishes is not necessary. Should you choose to use polishes, test first in an inconspicuous area.
- Using solvents of any kind on your furniture may damage the finish.
- Never use water to clean your furniture as it may cause damage to the finish.
- Always use coasters under beverage glasses and flowerpots.
- Liquid spills should be removed immediately. Using a soft clean cloth, blot the spill gently. Avoid rubbing.
- Always use protective pads under hot dishes and plates. Heat can cause chemical changes that may create spotting within the furniture finish.
- Stains or marks from crayons or ink markers will be difficult to remove.
- In the event that your furniture is stained or otherwise damaged during use, we recommend that you call a professional to repair your furniture.
- Check bolts/screws periodically and tighten them if necessary.

CARING FOR WOOD FURNITURE

It is best to keep your furniture in a climate-controlled environment. Extreme temperature and humidity changes can cause fading, warping, shrinking and splitting of wood. It is advised to keep furniture away from direct sunlight as sun may damage the finish.

Proper care and cleaning at home will extend the life of your purchase. Following these important and helpful tips will enhance your furniture as it ages.

CLEANING THE FIREPLACE TRIM

Clean the metal trim using a soft cloth, slightly dampened with citrus oil based product and buff with a clean soft cloth. DO NOT use brass polish or household cleaners as these products will damage the metal trim. Citrus oil based products can be obtained at supermarkets or hardware stores.

HOME DECORATORS COLLECTION

Questions, problems, missing parts? Before returning to the store,
call Home Decorators Collection Customer Service
8 a.m. - 7 p.m., EST, Monday-Friday
9 a.m. - 6 p.m., EST, Saturday

1-800-986-3460

HOMEDEPOT.COM/HOMEDECORATORS

Retain this manual for future use.