



TRAEGER[®]
WOOD PELLET GRILLS

**OWNERS MANUAL
OUTDOOR FIRE PIT
OFP001**



FOR OUTDOOR USE ONLY!

Please read this entire manual before assembly, installation of your Traeger Pellet Outdoor Fire Pit. Failure to follow these instructions could result in property damage, bodily injury or even death. Contact your local building or fire official about restrictions and installation inspection requirements in your area.

SAVE THESE INSTRUCTIONS

A MAJOR CAUSE OF FIRES IS FAILURE TO MAINTAIN REQUIRED CLEARANCES (AIR SPACES) TO COMBUSTIBLES MATERIALS. IT IS OF UTMOST IMPORTANCE THAT THIS PRODUCT BE INSTALLED ONLY IN ACCORDANCE WITH THESE INSTRUCTIONS.

DANGER! This product is designed for outdoor use only.

DANGER! Do not use on wooden decks.

DANGER! Fire Pit is meant to burn wood pellets only and split logs.

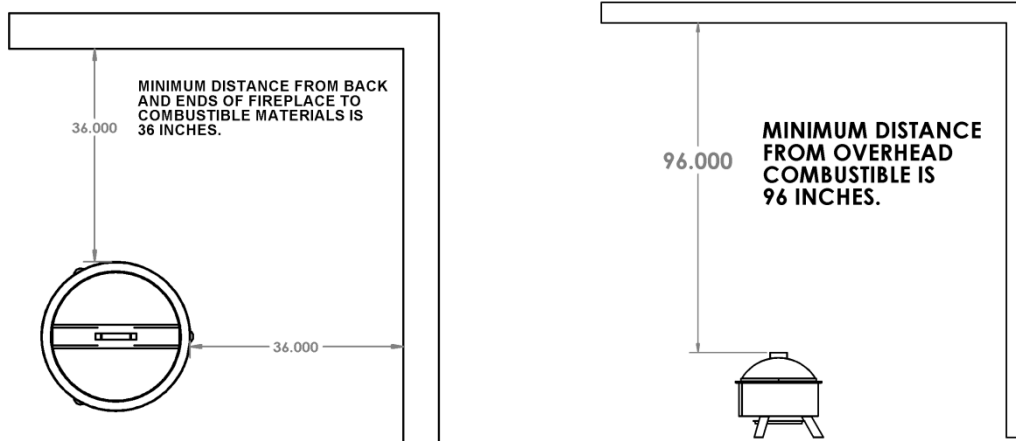
WARNING! Not for use by children.

Danger! The Fire Pit is hot when in use. Use caution and never touch a hot Fire Pit with bare hands.

WARNING! Never leave a burning Fire Pit unattended. Always extinguish the fire completely before leaving.

WARNING! The handle and mesh screen on the Fire Pit lid can reach extreme temperatures when in use that will cause injury to an unprotected hand.

CAUTION! Use the Fire Pit poker to remove the lid and grill when hot.



INTRODUCTION

Congratulations on your purchase of this Traeger Outdoor Fire Pit, Model OFP001. With proper set-up, operation and maintenance, the Fire Pit will provide you with years of enjoyment.

NOTE: NUMBERS FOLLOWING PART NAMES REFER TO THE COMPONENT DIAGRAM FOUND NEAR THE END OF THIS MANUAL.

When you un-box the Fire Pit, remove all parts from the box and inside the Fire Pit. Remove any remaining packaging material from inside the Fire Pit as well. Make sure you have, and can identify all of the following parts:

<u>Qty</u>	<u>Item Description</u>	<u>Component Diagram Reference Number</u>
(1)	Fire Pit Base Assembly-----	1
(1)	Fire Pit Pellet Pan Assembly-----	2
(3)	Fire Pit Foot Assemblies-----	3
(1)	Fire Pit Lid Assembly-----	4
(1)	Porcelain Grill-----	5
(1)	Ash Pan round-----	6
(1)	Poker rod-----	9
(1)	Hardware Kit-----	NA

You will need to complete the assembly which includes:

- 1) Mounting the Fire Pit Foot Assemblies to the Fire Pit Base.
- 2) Installing the Ash Pan Round under the Fire Pit Base.
- 3) Installing the Fire Pit Pellet Pan Assembly to the Fire Pit Base.
- 4) Positioning the Porcelain Grill onto the Fire Pit Base.
- 5) Positioning the Fire Pit Lid onto the Fire Pit Base.
- 6) Assemble poker rod.

TOOLS ARE SUPPLIED FOR ASSEMBLY

- (1) One 7\16 open or box wrench.

Record your date of purchase here: _____

Record your serial number here: _____

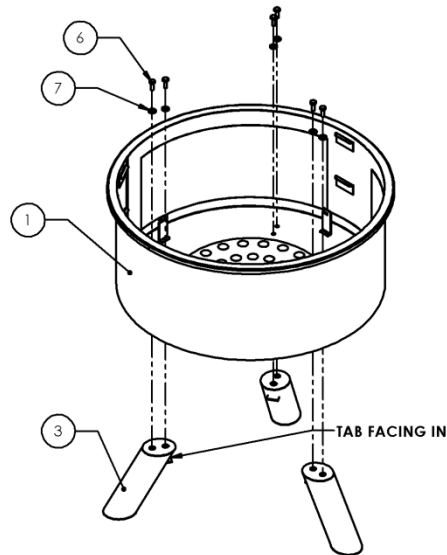
Traeger Pellet Grills LLC warrants this Outdoor Fire Pit against defects in material and workmanship under normal use and maintenance for a period of (1) year from date of original purchase. All Fire Pits must be registered at time of purchase.

Please register your Fire Pit at www.traegergrills.com.

SECTION ONE: ASSEMBLY INSTRUCTIONS

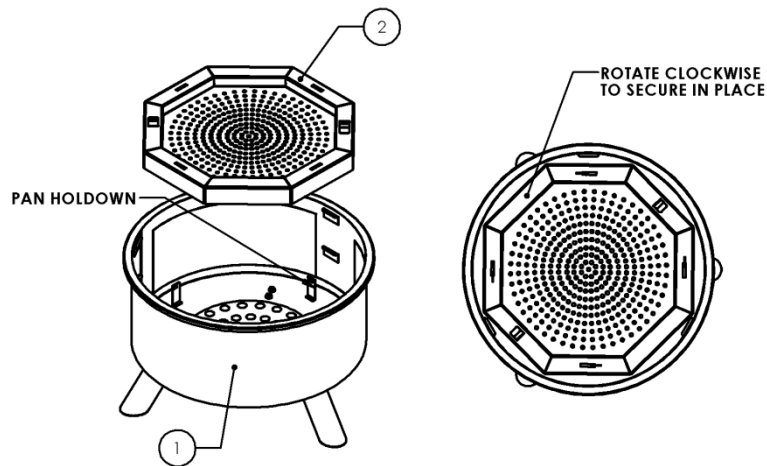
MOUNTING THE FIRE PIT FOOT TO THE FIRE PIT BASE:

1. Insert foot assembly (3) onto Fire Pit Base Assembly (1) with the tab on the Foot Assembly facing in and align with holes in base.
2. Secure using 2 each 1/4-20 Hex Bolt (7) and 1/4 Flat Washer (8) and tighten with wrench.



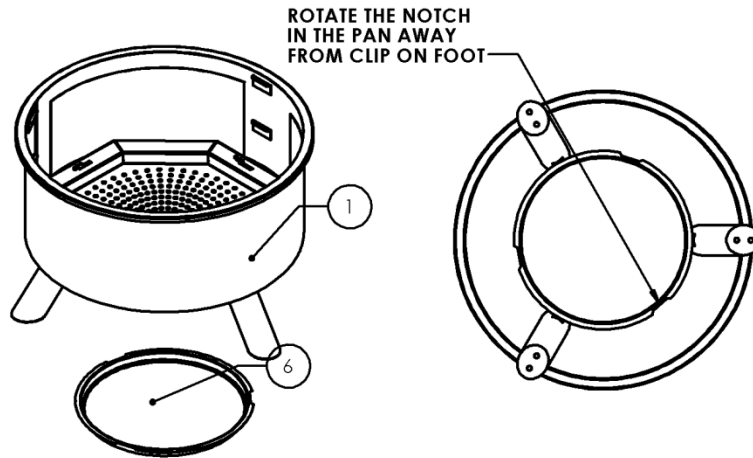
MOUNTING THE FIRE PIT PELLET PAN ASSEMBLY TO FIRE PIT BASE:

1. Insert Fire Pit Pellet Pan Assembly (2) into The Fire Pit Base Assembly aligning the cutouts in the pan to the brackets in the base. Turn clockwise to lock into place.



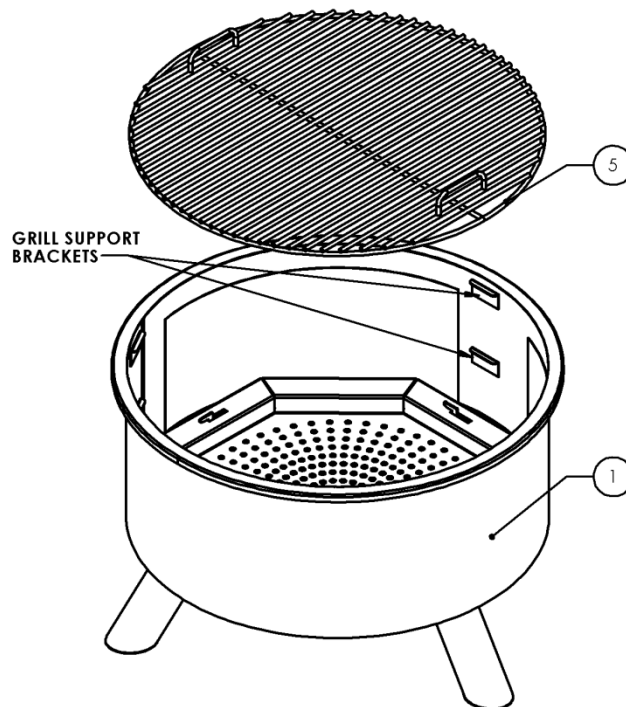
MOUNTING THE ASH PAN TO FIRE PIT BASE:

1. Insert the Ash Pan (6) onto the underneath side of the Fire Pit Base Assembly (1) and turn until the notches in the pan align with the tabs on the Foot. Insert the Ash Pan above the clips and rotate 60 degrees so it will not fall out.

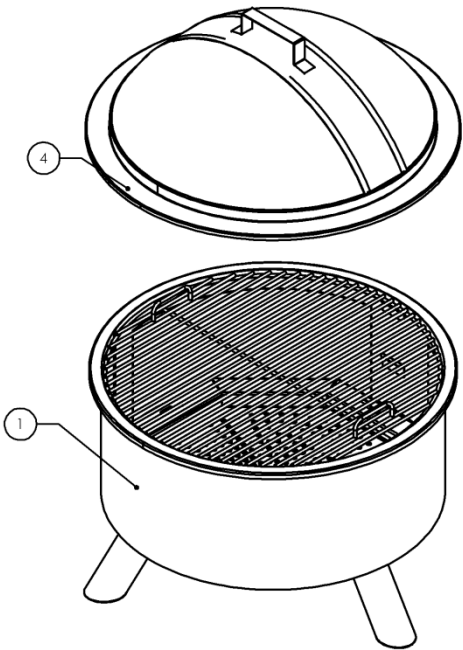


MOUNTING THE PORCELAIN GRILL TO FIRE PIT BASE:

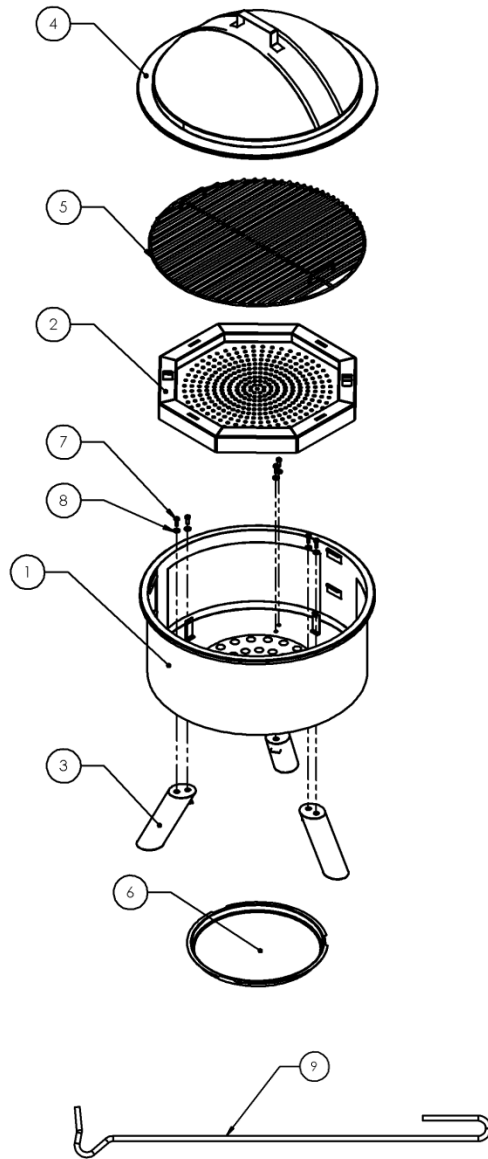
1. The OFP001 has 2 grill positions that can be used. To install in the lower position the Porcelain Grill (5) will need to be tilted at an angle and then inserted onto the lower supports.
2. To install the Porcelain Grill (5) onto the upper supports just insert onto the upper supports.



MOUNTING THE FIRE PIT LID ASSEMBLY TO FIRE PIT BASE:
Place the lid Assembly (4) onto the Fire Pit so the flange is centered on Fire Pit.



FIRE PIT COMPONENTS OFP001



Item	Qty	Description	Part #
1	1	Fire Pit Base Assembly	SUB460
2	1	Fire Pit Pellet Pan Assembly	SUB462
3	3	Fire Pit Foot Assembly	SUB456
4	1	Fire Pit Lid Assembly	SUB461
5	1	Porcelain Grill	HDW270
6	1	Ash Pan Round	BCA609
7	6	1/4-20 x .750 Hex Bolt Zinc	HDW137
8	6	1/4 Flat Washer	HDW130
9	1	Poker Rod	SUB457

SECTION TWO: FIRE PIT START-UP

1. Remove the Fire Pit lid and Porcelain Grill and set aside.
2. Pour pellets into the Pellet Pan Assembly and mound up as shown in Figure 1.
3. Apply Lighter fuel in a circular ring approximately half way down the pellet mound.
4. Light the fuel on fire and then place the Porcelain grill and the lid back onto the Fire Pit.

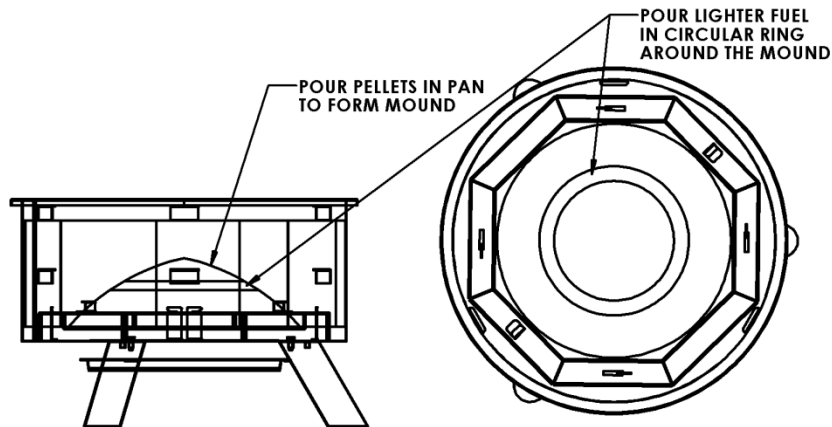


Figure 1

FIRE PIT PELLETS REFILLING

The Fire Pit is hot, always use the Poker to remove the Fire Pit lid and the Porcelain Grill. Once removed pour the pellets into the center of the pellet pan. The pellets may smoke for awhile before they ignite this is normal. Replace the Porcelain Grill and Fire Pit Lid once the pellets ignite.

COOKING ON THE FIRE PIT

You should burn in the Outdoor Fire Pit before cooking on it for the first time. This is to burn off any excess oils that may be left in the manufacturing process. The burn in process requires 10 to 15 pounds of pellets to be burned in the Fire Pit. When using the outdoor Fire Pit for cooking **ALWAYS** use Traeger Brand Wood Pellets. The grill surface is very hot, it is best to let the flames decline before cooking. The Porcelain grill can be positioned into an upper and lower position. We recommend the upper position for cooking the first few times to get use to the temperature and time it will take to cook foods. This is an open flame cooking device and not to be confused with our barbecues which use an indirect method of cooking.



TRAEGER[®]

WOOD PELLET GRILLS

SECTION SEVEN: TRAEGER SUPPORT

Parts are identified by number on the following COMPONENT DIAGRAM PAGE. To order parts: Call, E-mail or write to your Traeger Dealer or Traeger Pellet Grills. Please provide your name, phone number, address, Model and Serial Number of the Grill (located on a label inside the Hopper Lid), along with the part identification number from the Component Diagram.

TRAEGER PELLET GRILLS, LLC
1215 Wilmington Ave Suite 200
Salt Lake City, UT 84106

TRAEGER TECHNICAL SUPPORT
Available 7 Days a Week 5AM TO 7PM
Pacific Time

TRAEGER PARTS DEPARTMENT
Available Weekdays 8AM to 3:30PM
Pacific Time

TRAEGER SALES/ORDER DESK
Available Weekdays 8AM to 4:30PM
Pacific Time

TOLL-FREE TELEPHONE: 1-800-872-3437

E-mail: service@traegergrills.com
Website: www.traegergrills.com