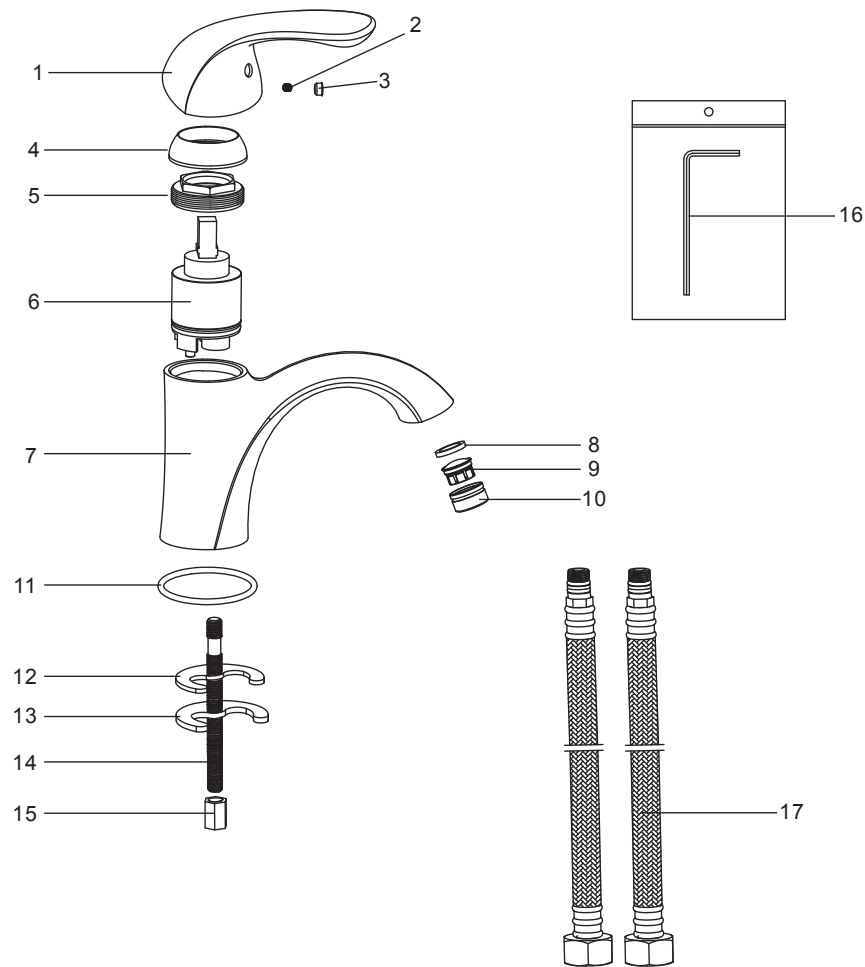


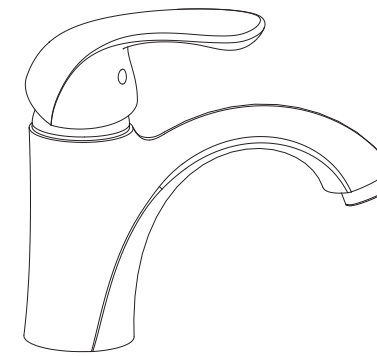
Daily cleaning and care are required in order to keep the product shining and properly working.

- 1 Clean it with water and dry it with soft cloth.
- 2 Clean the product with gentle liquid or glass cleaner.
- 3 Don't use acid cleaner.
- 4 Don't clean with abrasive material, abrasive paper or knife.

Step 4 Parts list



NO.	PART NAME
1	Handle
2	Screw
3	Index
4	Trim cap
5	Cartridge lock nut
6	Cartridge
7	Body
8	O-ring
9	Aerator core
10	Aerator collar
11	O-ring
12	Rubber washer
13	Clamp
14	Screw
15	Lock nut
16	Allen key
17	Flexible hose

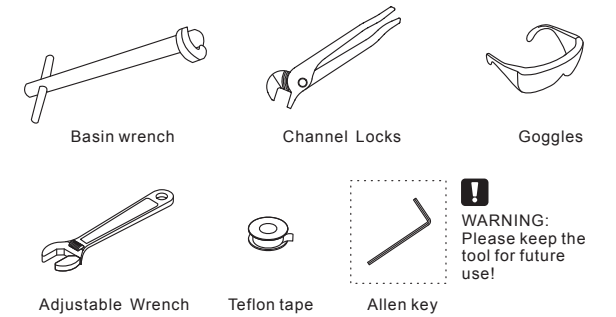


SINGLE LEVER LAVATORY FAUCET



ASME A112.18.1/CSAB125.1

RECOMMENDED TOOLS



- Attention:**
for easy installation, you will need:
1. To read all the installation instruction completely before beginning.
 2. To read all the warning, attention and maintenance information.
 3. To purchase the proper supply lines.

The tools might be applied to the following places:

