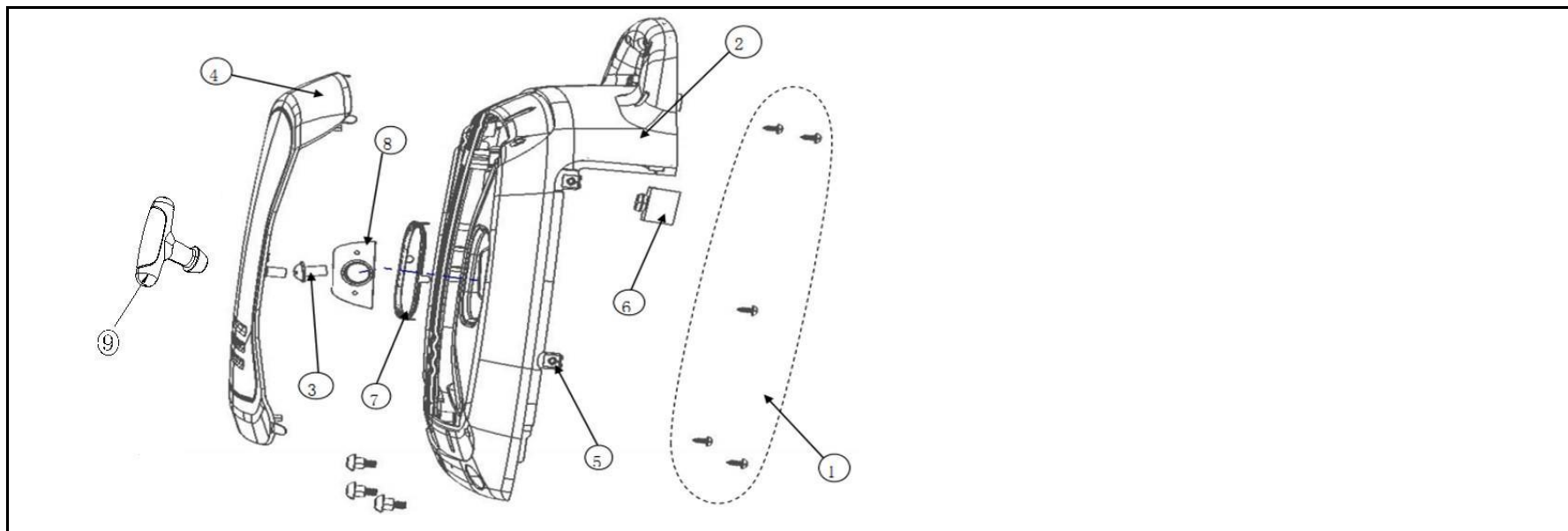
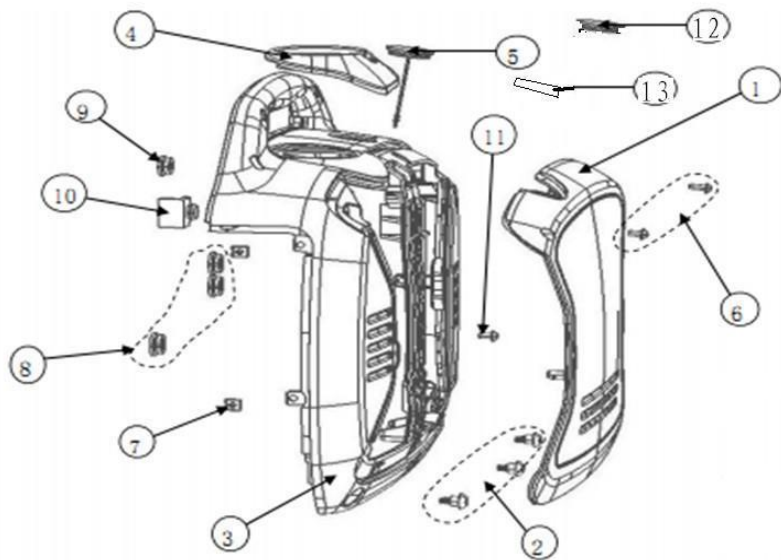


序号/No.	部件番号/Part designation	物料名称	Material name	数量/Quantity
1	50515-G2B3-1000	机器后壳总成	Rear cover assy	1
2	54100-G2B3-36B4	燃油箱总成	Fuel tank assy	1
3	36000-G2B3-0800	逆变器总成	Inverter assy	1
4	53310-G2B3-1000	逆变器进气盖板总成	Inverter air inlet cover assy	1
5	50510-G2B3-1000	机器前壳总成	Front cover assy	1
6	44030-G2B3-0100	动力底板总成	Bottom cover assy	1
7	20260-01584-00	发动机总成	Enging assy	1
8	53330-G2B3-1000	消声器出气盖板总成	Muffler exhaust cover assy	1
9	B9074.5-05LC-014E	十字槽小盘头螺钉	Bolt M5×14	2
机器前壳总成爆炸图/Before the machine shell exploded assembly diagram				

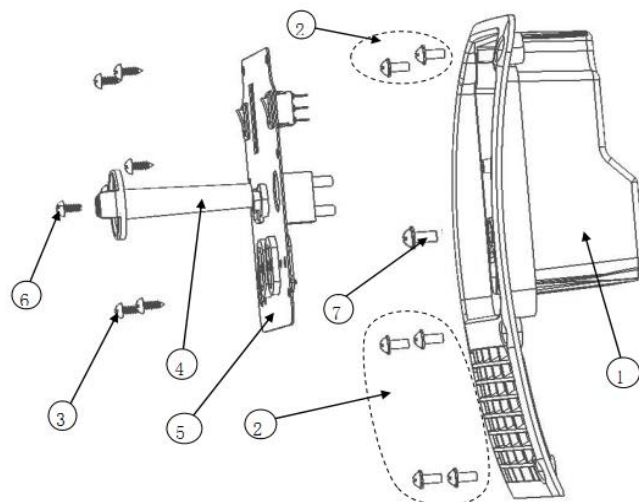


序号/No.	部件番号/Part designation	物料名称	Material name	数量/Quantity
1	B845-ST48-016C	十字槽盘头自攻螺钉 (GB/T 845 ST4.8X16)	Flang bolt(GB/T 845 ST4.8×16)	5
2	50510-G2B3-1000	机器前壳	Front panel	1
3	B818-06JF-012C	圆头十字螺栓 (N6X12)	Screw(M6×12)	1
4	33013-00046-00	前盖板	Front cover	1
5	96050-G2B3-1000	夹片螺母	Lock clip	4
6	12391-G2B3-0000	缸头定位垫	Cylinder head fix washer	1
7	90490-G2B3-1000	启动保护圈	Start proection	1
8	17423-G2B3-0000	手柄挡块	Handle baffle	1
9	17422-G2B3-0001	启动拉手		1

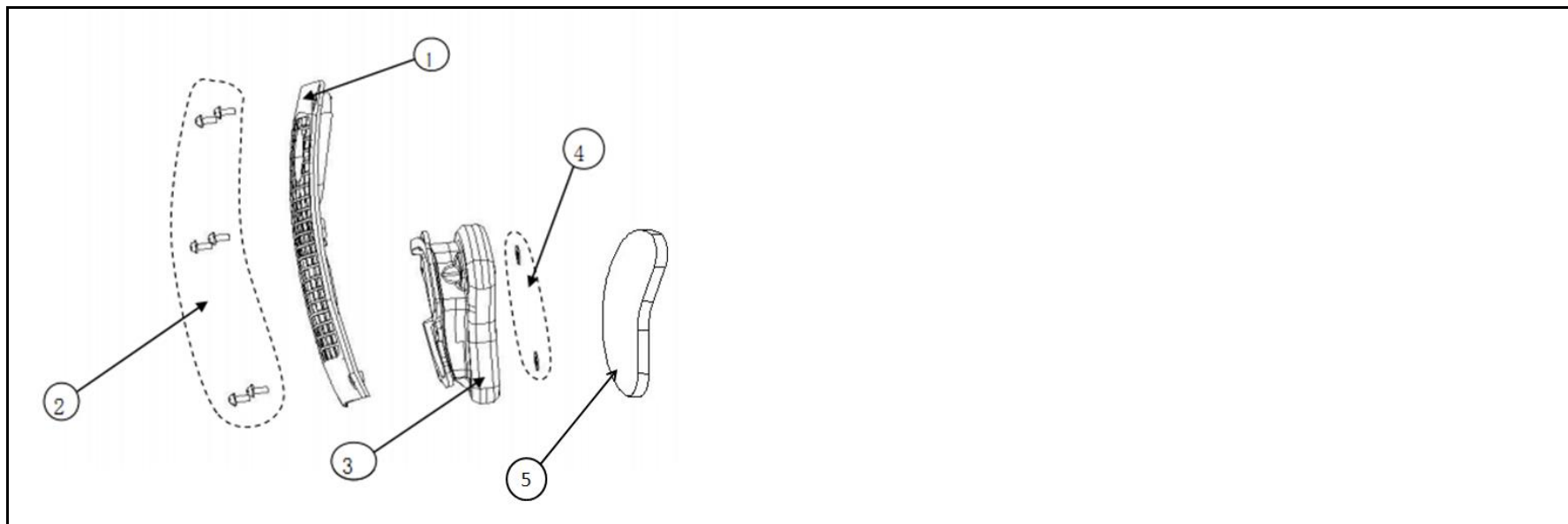
机器后壳总成爆炸图/After the machine shell exploded assembly diagram



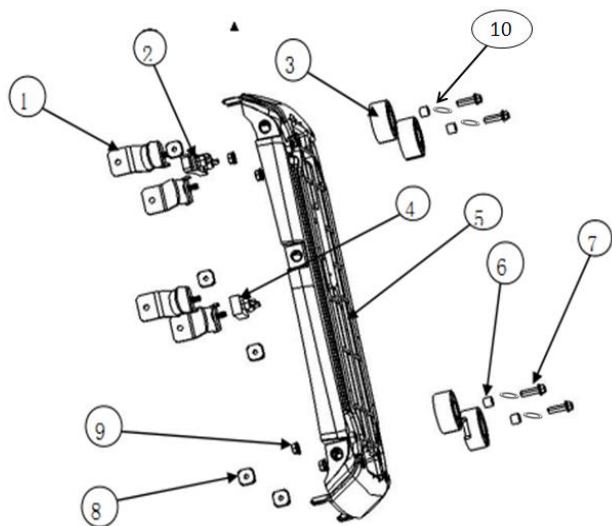
序号/No.	部件番号/Part designation	物料名称	Material name	数量/Quantity
1	33013-00025-00	后盖板	Rear cover	1
2	51229-G2B3-000C	异形带盘螺栓	Bolt	3
3	50515-G2B3-1000	机器后壳	Rear panel	1
4	17635-G2B3-0000	加油隔垫	Fuel insulator	1
5	54103-G2B3-0200	火花塞胶套	Rubber sleeve for spark plug	1
6	B9074.5-05LC-014C	十字槽小盘头螺钉	Bolt M5×14	2
7	96050-G2B3-1000	夹片螺母	Lock clip	4
8	51222-G2B3-0300	腰圆孔胶垫	Round hole rubber washer	3
9	51222-G2B3-0000	圆孔胶垫	Round hole rubber washer	1
10	12391-G2B3-0000	缸头定位垫	Vibe mount for cylinder head	1
11	BB18-06JF-012C	圆头十字螺栓 (N6X12)	Bolt M6×12	1
12	54103-G2B3-0001	油位口胶圈	丁腈橡胶 (Φ40X10)	1
13	54166-G2B3-0000	油位口透明块	AS (Φ36X2)	1
逆变器进气盖板总成/Inverter air intake cover assembly				



序号/No.	部件番号/Part designation	物料名称	Material name	数量/Quantity
1	53310-G2B3-1000	逆变器进气盖板	Inverter air inler cover	1
2	B9074.5-05LC-014E	十字槽小盘头 (5×14×P1.25/黑锌)	Bolt M5×14	6
3	B845-ST40-020C	十字槽盘头自攻螺钉(黑锌 ST4×20)	Bolt ST4.2×18	6
4	52041-G2B3-1000	开关手柄	Fuel Valve handle	1
5	52000-G2B3-B100	控制面板总成	Control panel assy	1
6	B819.1-04LC-010B	十字槽盘头螺钉(M4×10×P1.25/发黑)	Bolt M4×12	1
7	B818-06JF-012C	圆头十字螺栓 (N6X12)	Bolt M6×12	1
消声器出气盖板总成/Muffler outlet cover plate assembly				

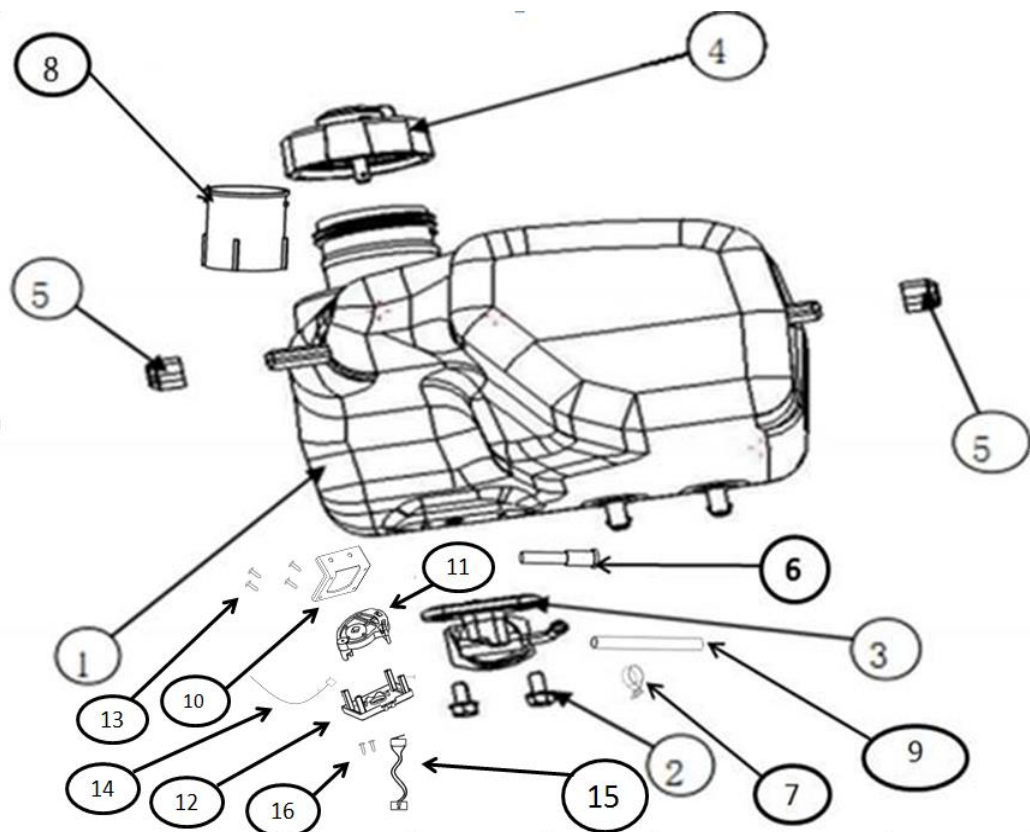


序号/No.	部件番号/Part designation	物料名称 Material name	数量/Quantity
1	53330-G2B3-1000	消声器出气盖板 Muffler exhaust cover assy	1
2	B9074.5-05LC-014E	十字槽小盘头 (5×14×P1.25/黑锌) Bolt M5×14	6
3	54103-G2B3-0400	电机胶套 Alternator rubber sleeve	6
4	90551-G2B3-0000	弹簧卡紧圈 Spring ring	5
5	LS201507060001	出气棉	1
动力底板总成/Power backplane assembly			



序号/No.	部件番号/Part designation	物料名称	Material name	数量/Quantity
1	51204-G2B3-0000	减振座	Anti-vibration mounting	4
2	51222-G2B3-0200	电机胶垫	Bottom washer of aiterator	1
3	51222-G2B3-0100	机器外壳胶垫	Anti-vibration foot	4
4	51222-G2B3-0400	箱体底垫	bottom washer of engine body	1
5	44030-G2B3-0100	动力底板	Bottom cover	1
6	54104-G2B3-000B	衬套 (Φ7*Φ10*8.5mm)	Sleeve φ7×30×8.5	4
7	B5789-06KG-020C	带盘螺栓 (M6×20×P1.0/白锌)	Flange bolt M6×20	4
8	B39-0600-010C	方螺母 M6	Sqaure nut	6
9	B6177.1-06KG-000C	带盘螺母 M6	M6 frange nut	4
10	B97.4-065G-000C	平垫圈 (Φ6.5*Φ18*1.6mm/白锌)		4

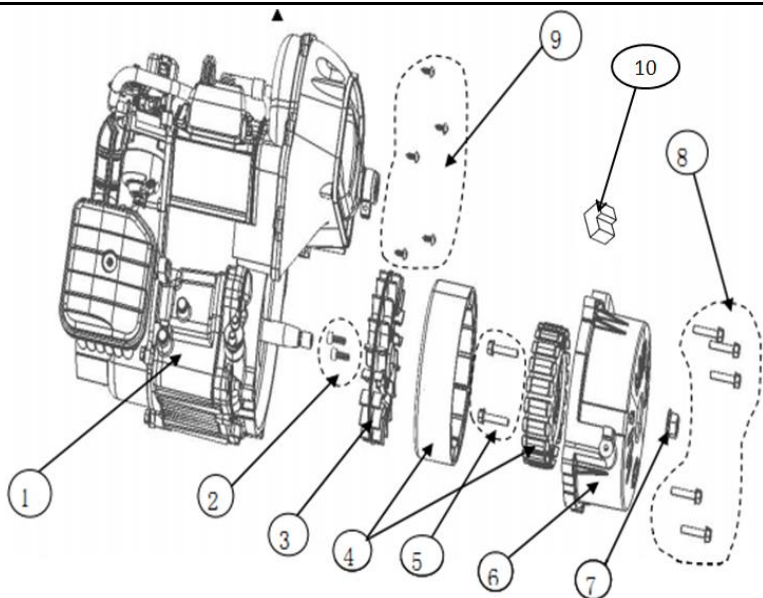
燃油箱总成/Fuel tank assembly



序号/No.	部件番号/Part designation	物料名称	Material name	数量/Quantity
1	54100-G2B3-36B4	燃油箱总成	Fuel tank assy	1
2	B5789-06KG-012C	带盘螺栓 (M6×12×P1.0/白锌)	Flange bolt M6×12	2
3	54105-G2B3-3000	油箱开关	Fuel valve	1
4	54150-G1A2-0200	燃油箱盖	Fuel cap	1
5	54103-G2B3-0000	油箱胶套	Rubber sleeve	2
6	41015-H27D-0000	过滤网总成		1
7	54106-G7A2-100C	卡箍 (B12/白锌)		1

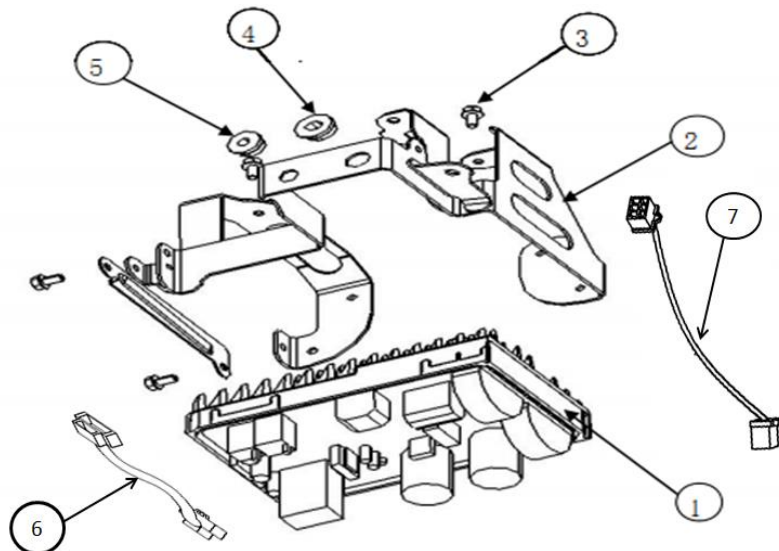
8	41015-G2B3-0100	过滤网总成	1
9	17002-G2B3-0200	燃油管 (Φ5*Φ10+Φ7*Φ12 (95) CARB状态)	1
10	51330-G2B3-1000	三合一开关固定板	1
11	52043-G2B3-0000	三合一开关转子	1
12	52042-G2B3-0000	三合一开关座	1
13	B845-ST40-014C	十字槽盘头自攻螺钉 (4×14)	4
14	53230-G2B3-0001	风门拉索总成	1
15	52040-G2B3-0003	熄火开关组件	1
16	B845-ST20-012C	十字槽盘头自攻螺钉 (2×12)	2

发动机总成/Engine assembly



序号/No.	部件番号/Part designation	物料名称	Material name	数量/Quantity
1	20260-01584-00	发动机总成	Engine	1
2	B70. 2-06AG-014B	内六角螺栓 (M6×14×P1.0/镀黑锌)	Bolt M6×14	2
3	33155-00025-00	冷却风扇	Cooling fan	1

4	32210-A021-0001/20051-00023-00	变频电机总成	Alternator assy	1
5	B5787-05JG-035C	带盘螺栓 (M5×35×P0.8/白锌)	Flange bolt M5×30	2
6	34104-G2B3-0000	电机罩	Alternator cover	1
7	B6177.2-12LG-000C	带盘螺母 (M12×P1.25/白锌)	Flange nut M12×1.25	1
8	B5789-06KG-031C	带盘螺栓 (M6×30×P1.0/白锌)	Flange bolt M6×30	5
9	B845-ST48-016C	十字槽盘头自攻螺钉 (GB/T845 ST4.8×16)	Self-screwing bolt GB/T845 ST4.8×16	5
10	51312-G2B3-0001	堵头		1
逆变器总成/Inverter assembly				



序号/No.	部件番号/Part designation	物料名称	Material name	数量/Quantity
1	36000-G2B3-0800	逆变器总成	Inverter assy	1
2	51330-G2B3-0100	逆变器支架总成	Bracket	1
3	B5789-06KG-012C	带盘螺栓 (M6×12×P1.0/白锌)	Flange bolt M6×12	4
4	51222-G2B3-0000	圆孔胶垫	Rubber sleeve	1

5	51222-G2B3-0300	腰圆孔胶套	Round rubber sleeve	1
6	52070-G2B3-0200	输出连接线		1
7	31800-G2B3-0006	指示灯线束		1