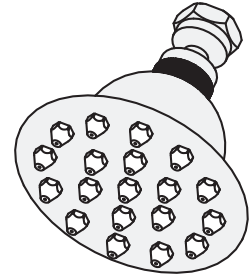


Location:



Rain Showerhead, 4-163

Specification Submittal



Model Numbers

- 4-163 4" Rain Showerhead

Options / Modifications

Append appropriate -suffix to model number.

- 2.0 2.0 (7.6 L/min) flow rate restrictor
- 1.5 1.5 (5.7 L/min) flow rate restrictor

Finish Options / Modifications

Append appropriate -suffix to model number.

- STN Satin nickel
- Polished chrome finish (standard)

Feature Highlights

- Single mode, ball joint connection
- Standard flow rate is 2.5 gpm (9.5 L/min)
Optional lower flow rate restrictor available
- Polished Chrome finish (standard)

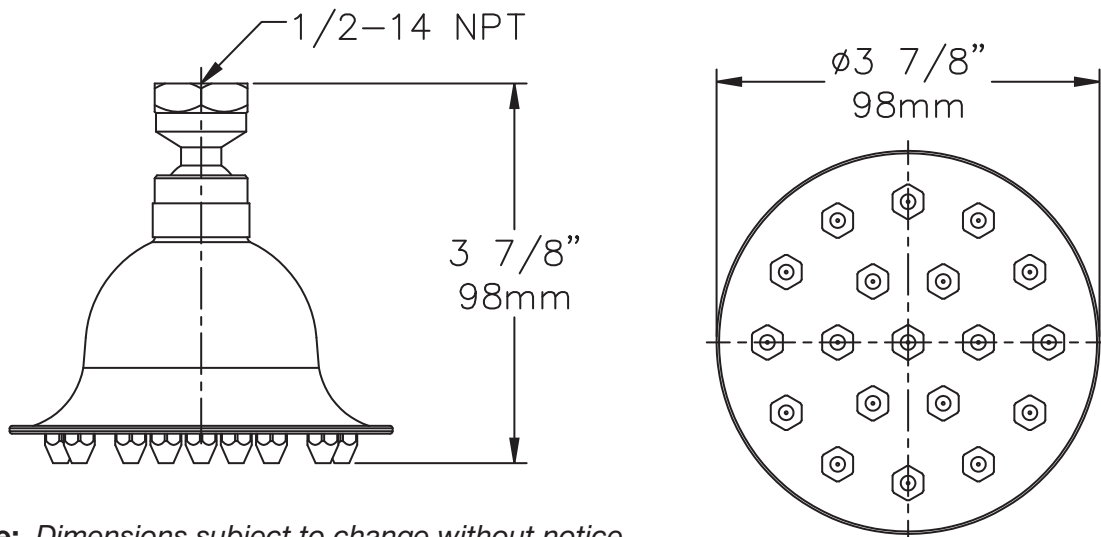
Standards / Certifications

ASME A112.18.1-2005/CSA B125.1-05

Warranty

- **Limited Lifetime** - to the original end purchaser in residential / consumer installations.
- **5 years** - for commercial installations

Dimensions Rain Showerhead, 4-163



Note: Dimensions subject to change without notice.