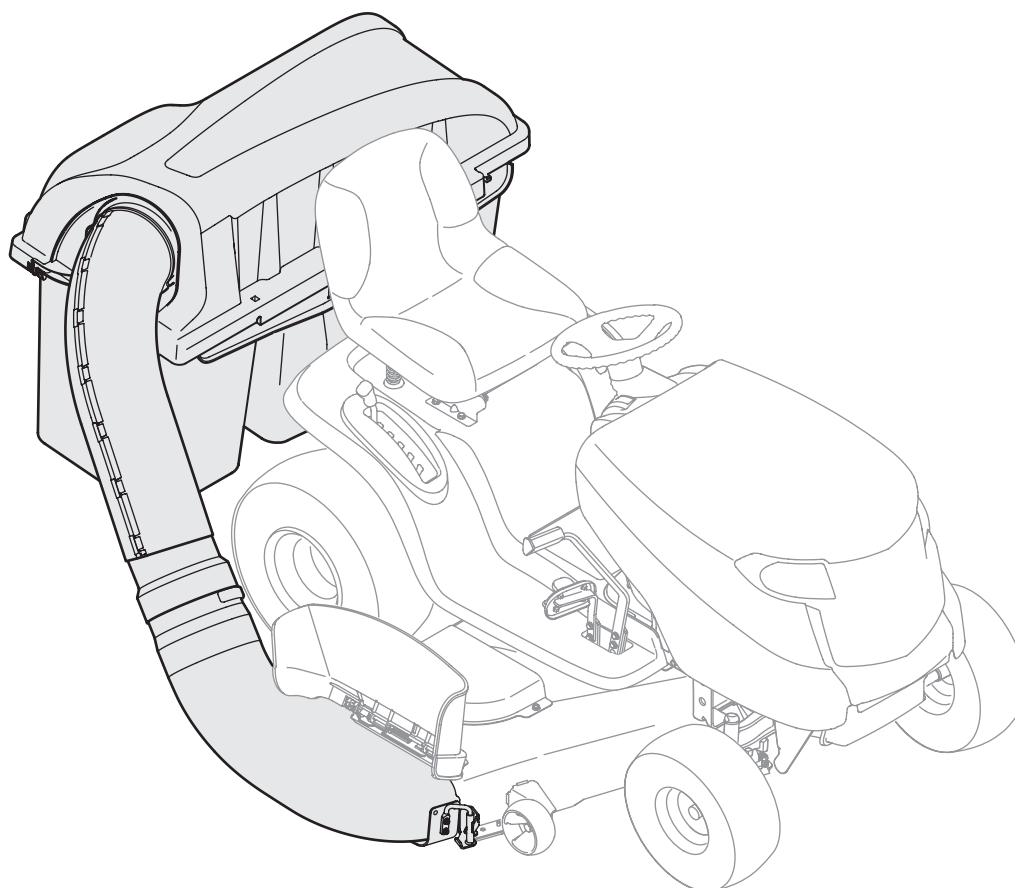

OPERATOR'S MANUAL



Triple Rear Bagger - Model No. 19A40002OEM & 19A40002000

⚠ WARNING

**READ AND FOLLOW ALL SAFETY RULES AND INSTRUCTIONS IN THIS MANUAL
BEFORE ATTEMPTING TO OPERATE THIS MACHINE.
FAILURE TO COMPLY WITH THESE INSTRUCTIONS MAY RESULT IN PERSONAL INJURY.**

MTD LLC, P.O. BOX 361131 CLEVELAND, OHIO 44136-0019

Thank You

Thank you for purchasing a bagging attachment manufactured by MTD LLC. It was carefully engineered to provide excellent performance when properly operated and maintained.

Please read this entire manual prior to operating the equipment. It instructs you how to safely and easily set up, operate and maintain this attachment. Please be sure that you, and any other persons who will operate the machine, carefully follow the recommended safety practices at all times. Failure to do so could result in personal injury or property damage.

All information in this manual is relative to the most recent product information available at the time of printing. Review this manual frequently to familiarize yourself with the attachment, its features and operation. Please be aware that this Operator's Manual may cover a range of product specifications for various models. Characteristics and features discussed and/or illustrated in this manual may not be applicable to all models. MTD LLC reserves the right to change product specifications, designs and equipment without notice and without incurring obligation.

If you have any problems or questions concerning this attachment, phone your local authorized MTD service dealer or contact us directly. MTD's Customer Support telephone numbers, website address and mailing address can be found on this page. We want to ensure your complete satisfaction at all times.

Throughout this manual, all references to *right* and *left* side of the machine are observed from the operating position

Table of Contents

<i>Safe Operation Practices</i>	3	<i>Operation</i>	15
<i>Carton Contents & Hardware Packs</i>	6	<i>Parts List</i>	16
<i>Assembly & Installation</i>	8	<i>Warranty</i>	Back Cover

Record Product Information

Before setting up and operating your new equipment, please locate the model plate on the equipment and record the information in the provided area to the right. You can locate the model plate by looking at the topside of the bagger cover. This information will be necessary, should you seek technical support via our web site, Customer Support Department, or with a local authorized service dealer.

MODEL NUMBER

--	--	--	--	--	--	--	--	--	--	--	--

SERIAL NUMBER

--	--	--	--	--	--	--	--	--	--	--	--

Customer Support

Please do NOT return the machine to the retailer or dealer without first contacting our Customer Support Department.

If you have difficulty assembling this product or have any questions regarding the controls, operation, or maintenance of this machine, you can seek help from the experts. Choose from the options below:

- ◇ Visit us on the web at www.mtdproducts.com
- ◇ Call a Customer Support Representative at (800) 800-7310 or (330) 220-4683
- ◇ Write us at MTD LLC • P.O. Box 361131 • Cleveland, OH • 44136-0019



WARNING! This symbol points out important safety instructions which, if not followed, could endanger the personal safety and/or property of yourself and others. Read and follow all instructions in this manual before attempting to operate this machine. Failure to comply with these instructions may result in personal injury.

When you see this symbol. **HEED ITS WARNING!**



DANGER! This attachment was built to be used according to the safe operation practices in this manual. Carelessness or error on the part of the operator can result in serious injury. Mowers are capable of amputating hands and feet and throwing objects. Failure to observe the following safety instructions as well as the instructions provided with your mower, could result in serious injury or death.

General Operation

1. Read, understand, and follow all instructions on your equipment and in their manuals before attempting to assemble and operate. Keep this manual in a safe place for future and regular reference and for ordering replacement parts.
2. To help avoid blade contact or a thrown object injury, keep bystanders, helpers, children and pets at least 75 feet from the mower while it is in operation. Stop machine if anyone enters the area.
3. Thoroughly inspect the area where the equipment is to be used. Remove all stones, sticks, wire, bones, toys, and other foreign objects which could be picked up and thrown by the blade(s). Thrown objects can cause serious personal injury.
4. Always wear safety glasses or safety goggles during operation and while performing an adjustment or repair to protect your eyes. Thrown objects which ricochet can cause serious injury to the eyes.
5. Do not operate the mower without the discharge cover or entire grass catcher in its proper place. A missing or damaged discharge cover or grass bag attachment component may result in thrown objects or blade contact injuries.
6. Do not put hands or feet near rotating parts or under the cutting deck. Contact with the blade(s) can amputate hands and feet.
7. Shut off mower's engine and wait for blades to come to a complete stop before unclogging mower's discharge opening or bagger parts.
8. Slow down before turning. Operate the machine smoothly. Avoid erratic operation and excessive speed. Be aware that a grass catcher attachment can affect the handling characteristics of your mower.
9. Disengage blade(s), set parking brake, stop engine and wait until the blade(s) come to a complete stop before opening bagger attachment's top cover, removing grass catcher, emptying grass, unclogging chute, removing any grass or debris, or making any adjustments.
10. Never leave a running machine unattended. Always turn off blade(s), place transmission in neutral, set parking brake, stop engine and remove key before dismounting.
11. Your machine is designed to cut normal residential grass of a height no more than 10". Do not attempt to mow through unusually tall, dry grass (e.g., pasture) or piles of dry leaves. Dry grass or leaves may contact the engine exhaust and/or build up on the mower deck presenting a potential fire hazard.
12. If situations occur which are not covered in this manual, use care and good judgment. Contact your customer service representative for assistance.

Slope Operation

Slopes are a major factor related to loss of control and tip-over accidents which can result in severe injury or death. Attachments can also affect the stability of the machine. All slopes require extra caution.

For your safety, use the slope gauge included as part of this manual to estimate the angle of slopes before operating this machine on a sloped or hilly area. If the slope is greater than 10 degrees as shown on the slope gauge, do not operate the mower with the grass bag attachment installed on that area or serious injury could result.

Do:

1. Mow up and down slopes, not across. Exercise extreme caution when changing direction on slopes.
2. Watch for holes, ruts, bumps, rocks, or other hidden objects. Uneven terrain could overturn the machine. Tall grass can hide obstacles.

3. Use slow speed. Choose a low enough speed setting so that you will not have to stop or shift while on the slope. Tires may lose traction on slopes even though the brakes are functioning properly. Always keep machine in gear when going down slopes to take advantage of engine braking action.
4. Follow the manufacturer's recommendations for wheel weights or counterweights to improve stability.
5. Keep all movement on the slopes slow and gradual. Do not make sudden changes in speed or direction. Rapid engagement or braking could cause the front of the machine to lift and rapidly flip over backwards which could cause serious injury.
6. Avoid starting or stopping on a slope. If tires lose traction, disengage the blade(s) and proceed slowly straight down the slope.

Do Not:

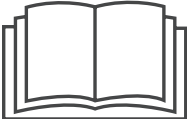

1. Do not turn on slopes unless necessary; then, turn slowly and gradually downhill, if possible.
2. Do not mow near drop-offs, ditches or embankments. The mower could suddenly turn over if a wheel is over the edge of a cliff, ditch, or if an edge caves in.
3. Do not try to stabilize the machine by putting your foot on the ground.
4. Do not use a grass catcher on steep slopes.
5. Do not mow on wet grass. Reduced traction could cause sliding.

General Service

1. Before cleaning, repairing, or inspecting, make certain the blade(s) and all moving parts have stopped. Disconnect the spark plug wire and ground against the engine to prevent unintended starting.
2. Keep all nuts, bolts, and screws tight to be sure the equipment is in safe working condition.
3. Never tamper with your mower's safety interlock system or other safety devices. Check their proper operation regularly.
4. Never attempt to make adjustments or repairs while the mower's engine is running.
5. Grass catcher components and the discharge cover are subject to wear and damage which could expose moving parts or allow objects to be thrown. For safety protection, frequently check components and replace immediately with original equipment manufacturer's (O.E.M.) parts only, listed in this manual. Use of parts which do not meet the original equipment specifications may lead to improper performance and compromise safety!
6. Maintain or replace safety and instruction labels, as necessary.

Safety Symbols

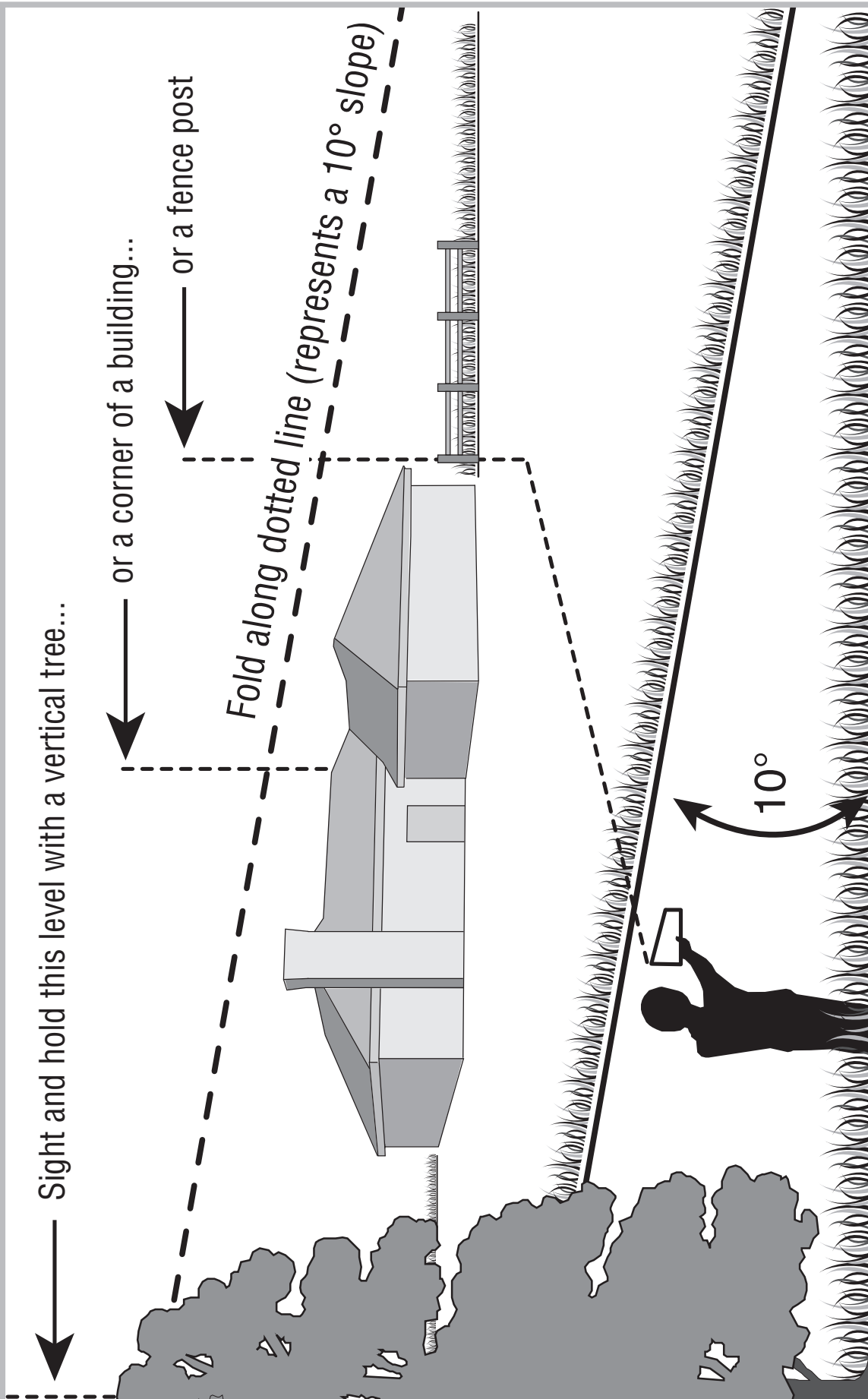
This table depicts and describes safety symbols that may appear on this product. Read, understand, and follow all instructions on the machine before attempting to assemble and operate.

Symbol	Description
	<p>READ THE OPERATOR'S MANUAL(S) Read, understand, and follow all instructions in the manual(s) before attempting to assemble and operate</p>
	<p>STOP Turn off the engine before opening the bagger cover.</p>



WARNING! Your Responsibility—Restrict the use of this power machine to persons who read, understand and follow the warnings and instructions in this manual and on the machine.

SAVE THESE INSTRUCTIONS!



Use this page as a guide to determine slopes where you may not operate safely.



WARNING! Do not operate your lawn mower with a bagger attachment on such slopes. Do not mow on inclines with a slope in excess of 10 degrees (a rise of approximately six inches every 10 feet). A riding mower with a bagger attachment could overturn and cause serious injury. Operate riding mowers up and down slopes, never across the face of slopes.

Contents of Carton

3

Before beginning installation, remove all parts from the carton to make sure everything is present. Carton contents are listed below and shown in Fig. 3-1. Three hardware packs are included in this kit and are detailed on the following page.

- Hitch Bracket Kit (3 Pcs. & Hardware Pack)
- Chute Tube Extension
- Discharge Chute Elbow
- Hitch Support
- Grass Catcher Cover Screen
- Grass Catcher Cover
- Three Grass Bag Assemblies
- Upper Chute Tube
- Upper Chute Support
- Hinge Cover Pin
- Bagging Blades (6 blades total)
- Two Deck Baffles
- Chute Discharge Plate
- Chute Stop Bracket
- Upright Support
- Bag Support Assembly
- Three Hardware Packs (Detailed & illustrated on next page)

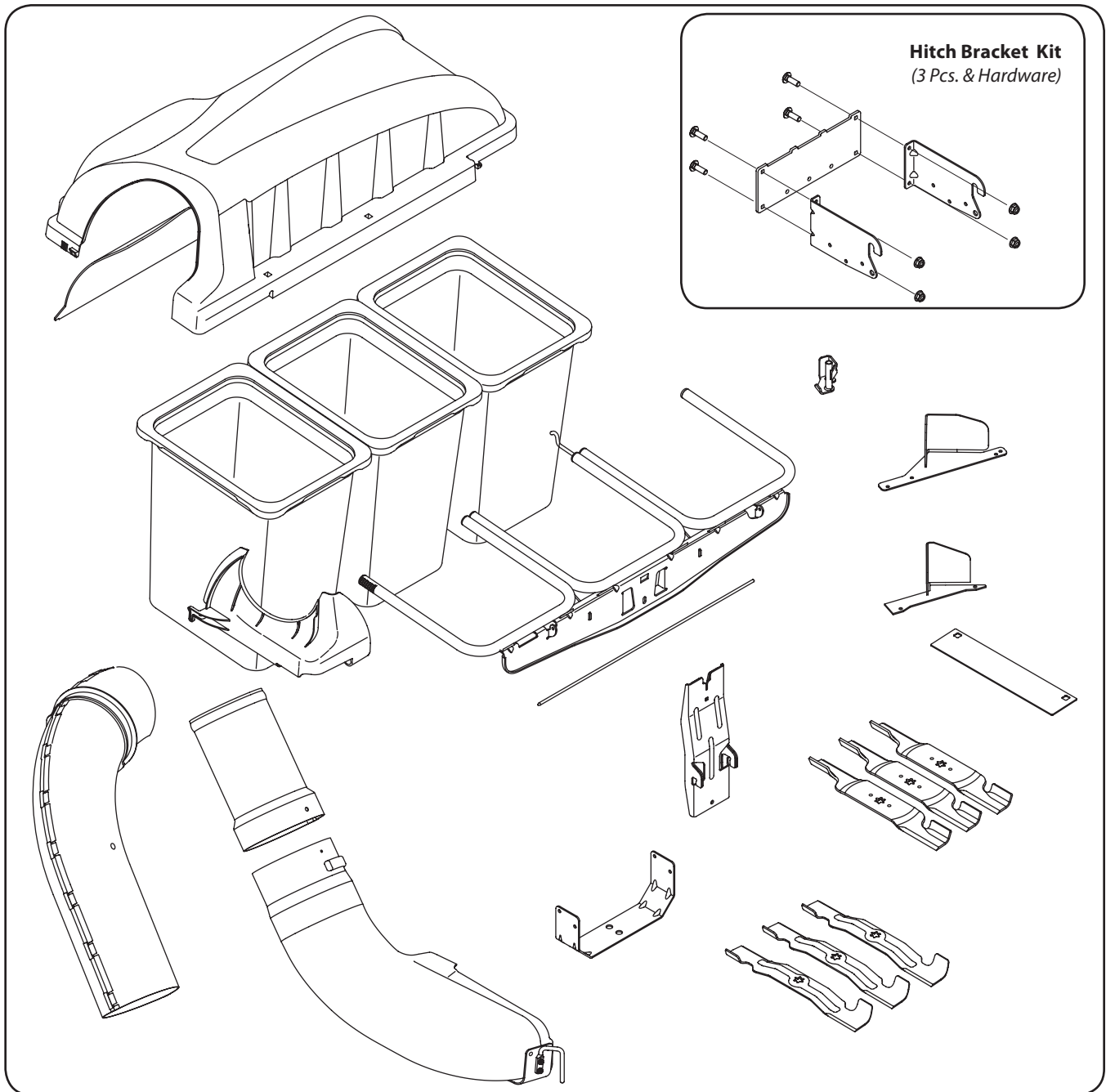
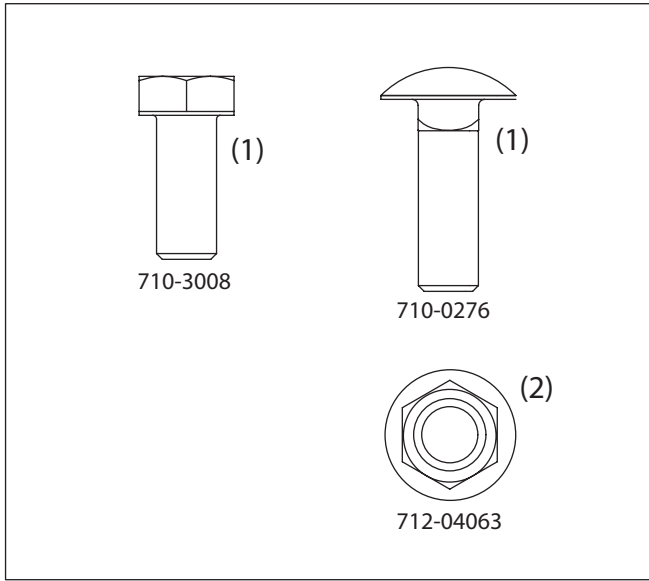


Figure 3-1

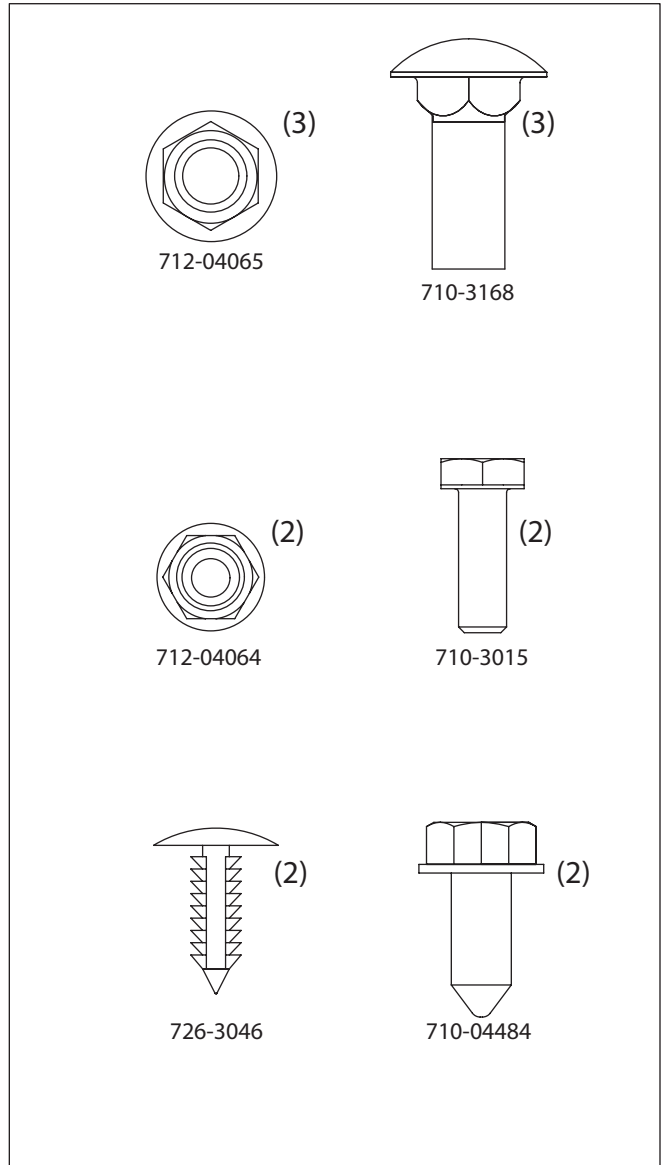
CONTENTS OF HARDWARE PACK

This grass collector kit is shipped with three loose hardware packs enclosed and one set of hardware included in the mounting bracket kit. Please check your hardware packs against the illustrations below. The quantities for each item is listed in parenthesis.

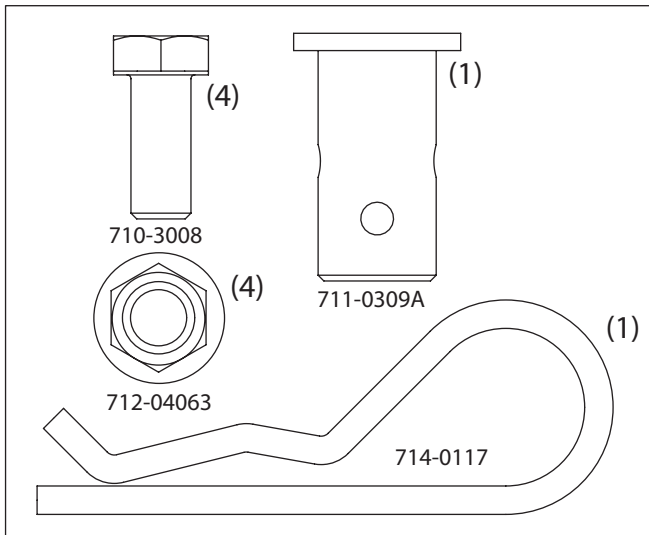
Hardware included with 689-00084



Hardware Pack 689-00090



Hardware Pack 689-00087



NOTE: References to left, right, front and rear of the tractor are from the operator's position, unless otherwise stated.

- Before assembly, place the tractor on a firm, level surface, disengage the PTO, stop the tractor engine and set the parking brake.
- For convenience, pivot the seat forward and leave it in that position until the grass collector is fully mounted and assembled.

Assemble Mounting Brackets

To assemble the bagger mounting assembly, locate the mounting assembly pack and follow these steps:

1. Attach the two hitch side brackets to the universal rear attachment bracket using four hex bolts and flange lock nuts. With the hooks on the hitch side brackets pointing down, the tabs on the hitch plates should be pointing upwards. See Fig. 4-1.

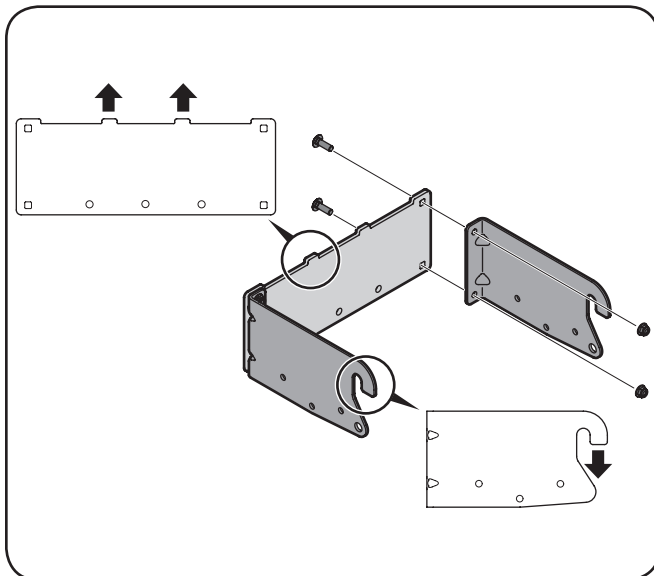


Figure 4-1

2. Flip over assembly and mount the hitch support bracket to the mounting assembly as seen in Fig. 4-2.

Note: It might be easier during the mounting stage to leave this hardware only finger tight to facilitate lining up the hitch hole for the clevis pin. You will be instructed to tighten this hardware later in this manual.

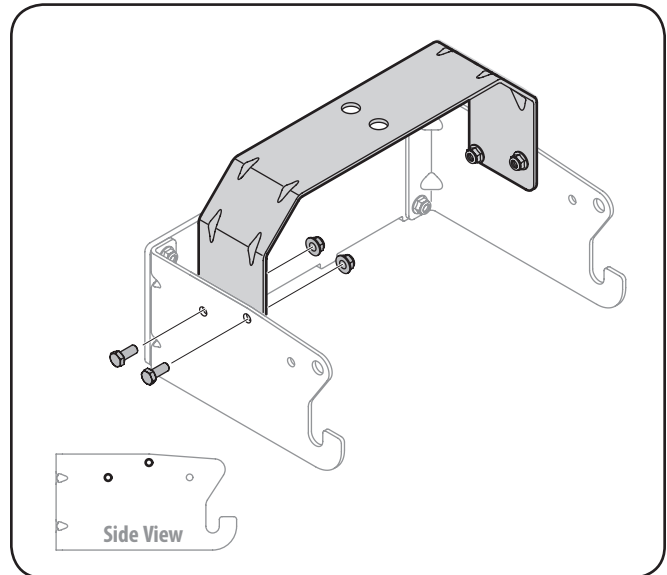


Figure 4-2

Assembling The Support Assembly

Locate the upright support bracket and the bag support assembly. Assemble it by following these steps:

1. Lay the bag support assembly topside down with the mounting bracket portion facing upwards.
2. Insert the notched end of the vertical support bracket into the bag support assembly, as in Fig. 4-3, and secure with a 5/16-18 carriage bolt and 5/16-18 flange lock nut. See Fig. 4-4.

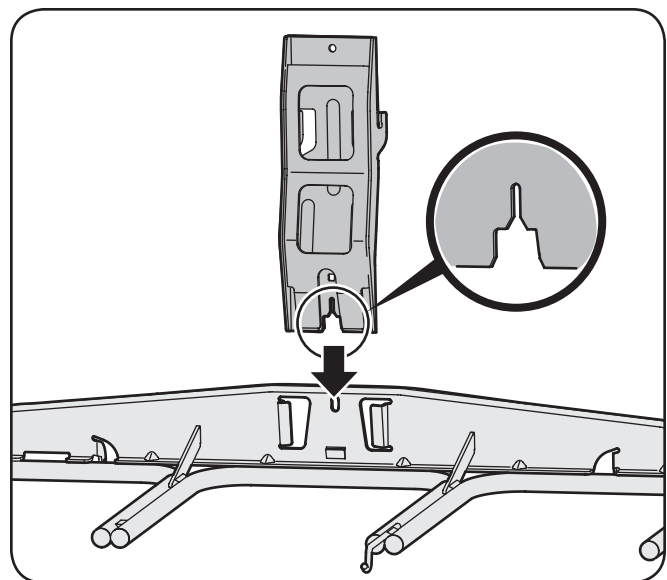


Figure 4-3

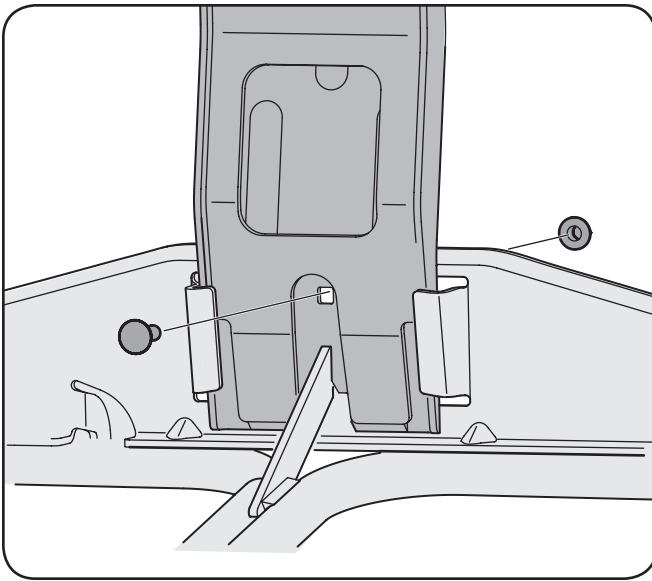


Figure 4-4

Mount Assembly on Tractor

Install mounting assembly on tractor as follows:

1. Place the hooked ends of the mounting assembly over the shoulder bolts, as in Fig. 4-5, on the tractor and line up the hitch support bracket center hole with the hole on the tractor's hitch.

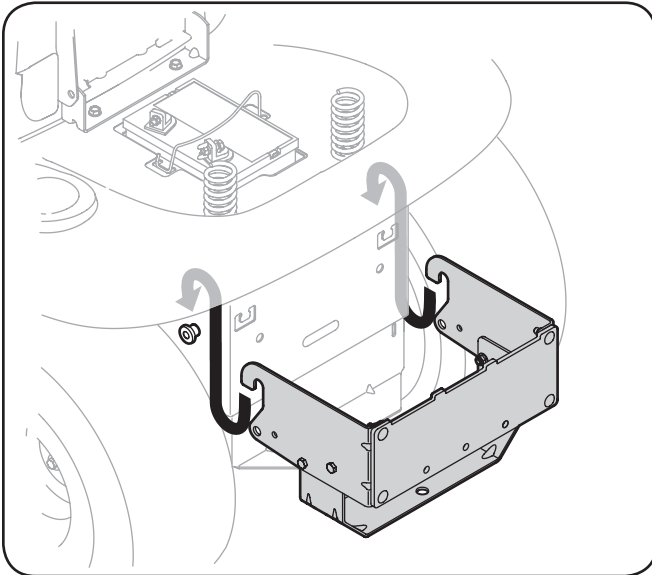


Figure 4-5

2. Install the clevis pin from hardware pack 689-00087 into the tractor's hitch and secure with a hairpin clip inserted into the top hole, which is the hole located closest to the head of the clevis pin. See Fig. 4-6.

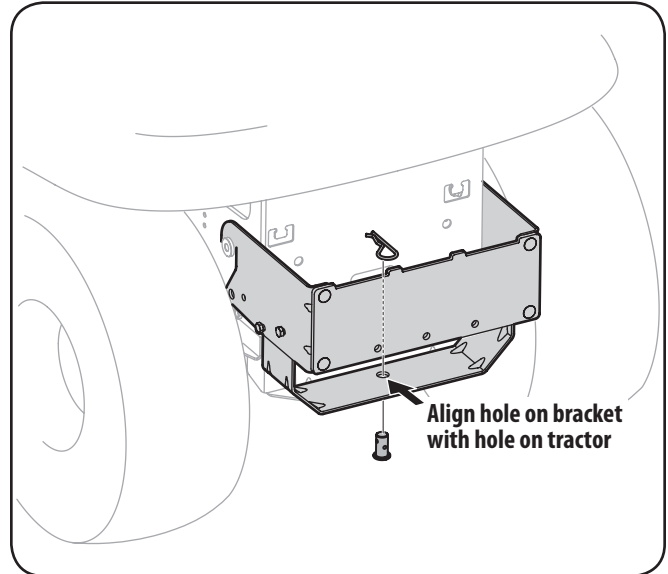


Figure 4-6

Note: The clevis pin can be fed down through the hitch plate and secured underneath with the hairpin clip, or it may be easier to feed the clevis pin up through the hitch plate hole and secure with the hairpin clip on the topside. The latter method may be preferred since it can be easier to insert the hairpin clip. Either way will work, the decision should be based on operator preference.

Note: If you decided to leave the hitch support only finger tight during the assembly process, tighten all of the hardware securely at this time.

3. Install the bagger hanger assembly onto the mounting assembly on the tractor by hooking it over the hitch plate in the center, lining up the center mounting hole as seen in Fig. 4-7.

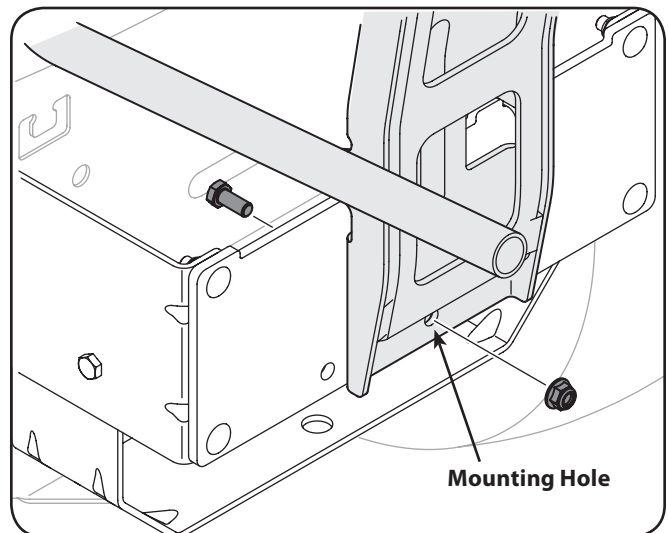


Figure 4-7

4. Secure the hanger assembly to the mounting assembly using a 5/16" bolt and flange nut provided. See Fig. 4-7.

Assembling Remaining Bagger Components

Now that the mounting brackets are assembled and are in place on the tractor, follow these steps to assemble the remaining bagger components.

1. Snap the plastic upper chute support in place by first clipping the side portion onto the bagger support rail with the edge of the snap feature aligned with the red line, as seen in Fig. 4-8.
2. Snap the front side of the chute support to the rail, as shown in the inset of Fig. 4-8.

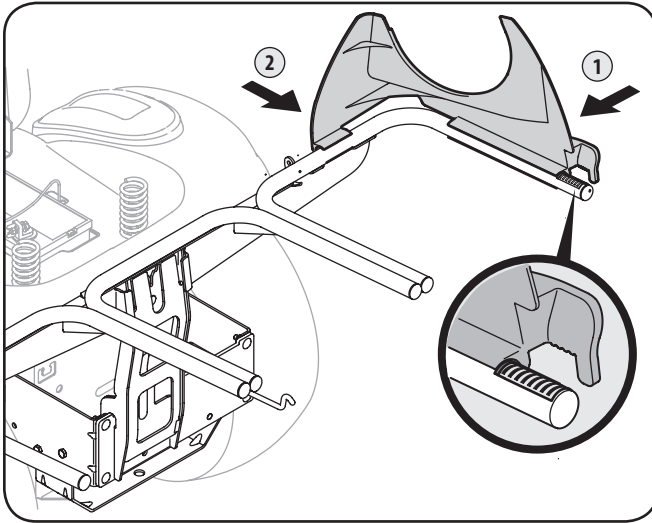


Figure 4-8

3. Install the bagger screen into the bagger cover by first inserting the end closest to the center into the cutout mounting hole, as in Fig. 4-9. Make sure to feed the screen under the lip, as in Fig. 4-10.

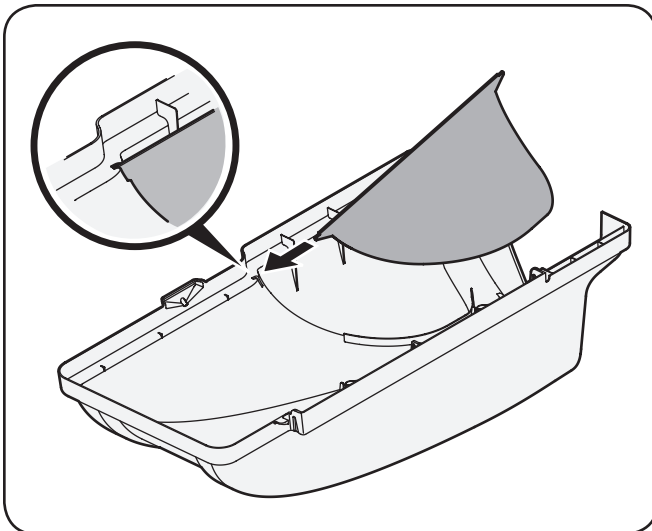


Figure 4-9

4. Clip in the other side by flexing the screen and pushing it down into the provided cutout hole. See Fig. 4-10.

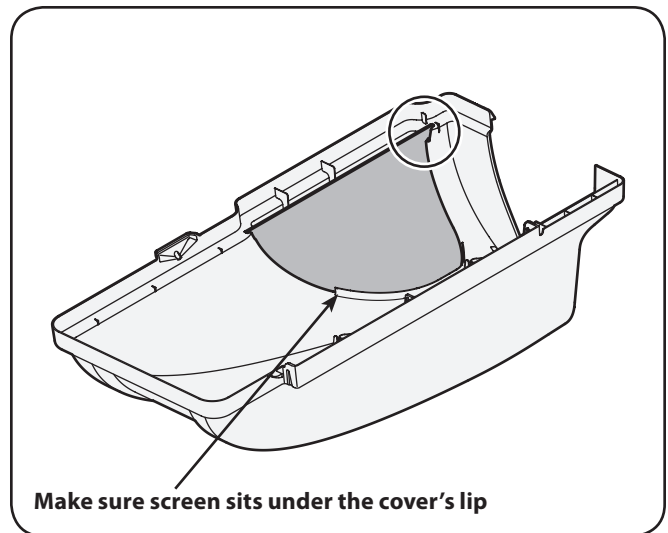


Figure 4-10

5. Install the bagger cover onto the bag support assembly, as seen in Fig. 4-11. The plastic cover goes inside of the two mounting tabs.

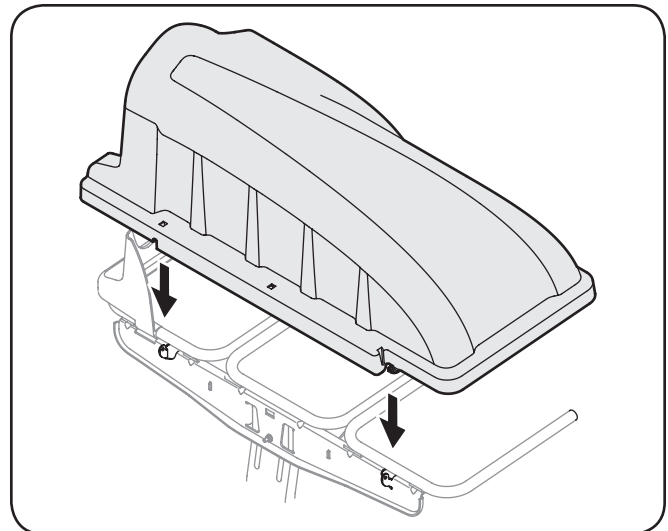


Figure 4-11

- Slide the hinge pin into the hole located on the mounting tab, as in Fig. 4-12. Use the cut-out window (See inset in Fig. 4-12) to line up the hinge pin on the other side and push pin all the way in until it reaches the end-stop. At this point the pin clips into place and is secured by a tab in the bagger cover. See Fig. 4-13.

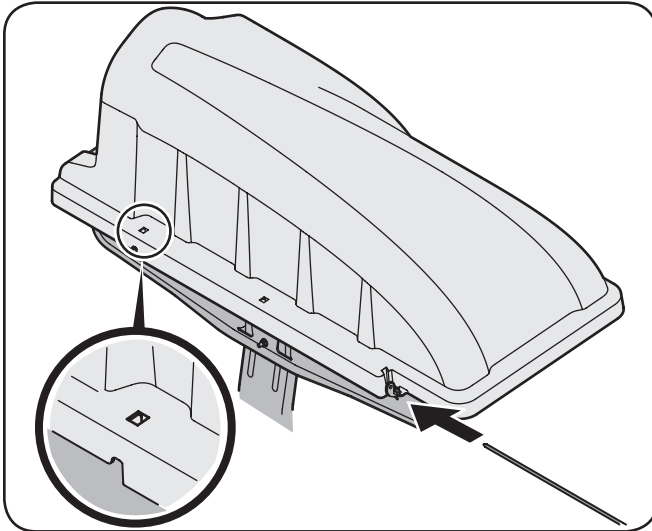


Figure 4-12

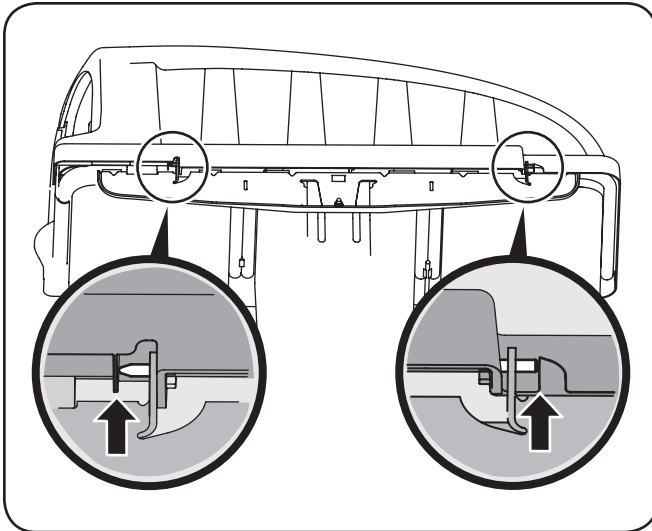


Figure 4-13

- Open Hood by pushing in on the rear, right-side tab with your right hand, as seen in 1 of Fig. 4-14, and lifting the cover with your left hand in the center rear of the bagger cover, 2.

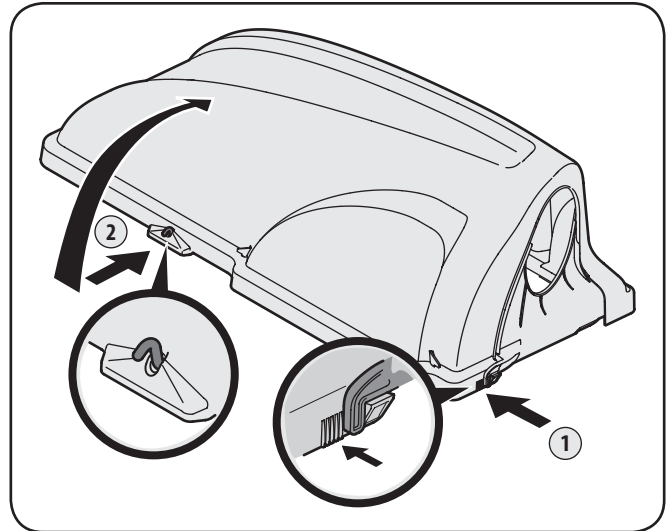


Figure 4-14

- Install the bag assemblies onto the bag support brackets by inserting the front edge in first, as seen in Fig. 4-15, and setting the back edge down until it fits into the assembly.

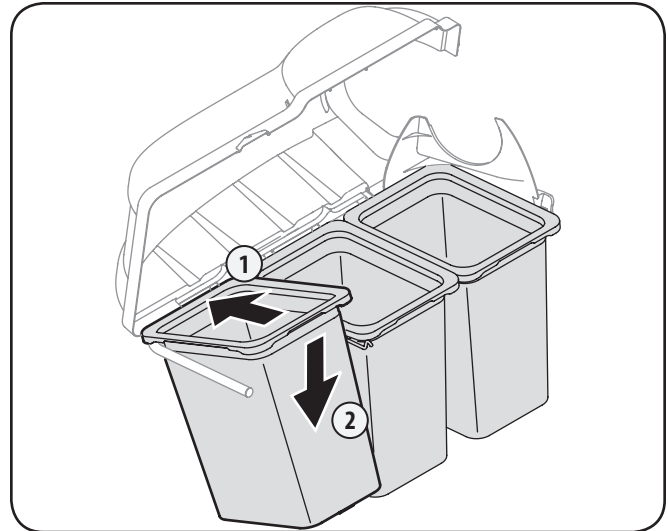


Figure 4-15

Attaching Blades



WARNING! Always protect your hands while servicing blades by wearing heavy work gloves or using heavy rags.

NOTE: Three high-lift bagging blades are included in the grass-catcher kit. Replace the blades with these new blades and save the existing blades as replacements or to reinstall on the blade spindles when not using the bagger kit.

1. Remove cutting deck from beneath the tractor following instructions for Deck Removal in operator's manual of the tractor. Gently flip the deck over to expose its underside.
2. Place a block of wood between the center deck housing baffle and the cutting blade to act as a stabilizer. See Fig. 4-16.

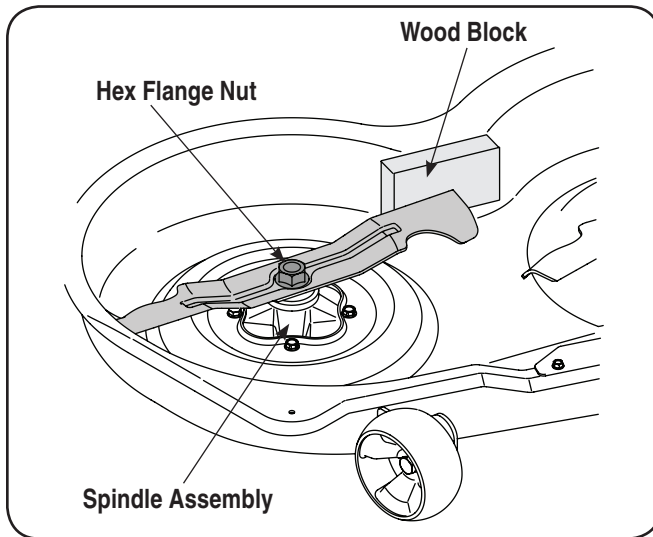


Figure 4-16

3. Use a 15/16" wrench to remove the hex flange nut that secures the blades to the blade spindle assemblies. See Fig. 4-16.



WARNING! The hex flange nut has a right-handed thread pattern. Do not attempt to force the nut in wrong direction; it may damage the nut and create a safety hazard.

4. Place a new blade on each spindle so that side of the blade with part number faces the ground when the mower is in the operating position.

Note: This bagger kit includes two sets of blades, one set is for the 50" deck and the other is for the 54" deck. Based on the deck that you have, install one of the following blade sets. The blades can be identified by the part number stamped on each blade:

- 50" Mowing Deck, install Part No. 742-04056C
- 54" Mowing Deck, install Part No. 742-0679

5. Secure with the hex flange nut removed earlier. Use a torque wrench to tighten the hex flange nut between 70 to 90 foot-pounds.

6. Move the wood block to either the left or right blade for stabilization and remove and replace the center blade so that side of the blade with part number faces the ground when the mower is in the operating position.

NOTE: Save the three blades you just removed to use as replacements or to reinstall on the blade spindles when not using the bagger kit.

Installing the Deck Baffle

Note: If the deck is still flipped upside down with the blades exposed, it may be easiest to flip the deck back over to complete the following installation of the deck baffle and chute stop bracket.

1. Remove two of the self-tapping deck screws on the front right side of your deck.
2. Install the front deck baffle using the hardware pack 689-00090 included with this bagger kit. See Fig. 4-17.

Note: This bagger kit includes two deck baffles, one baffle is for the 50" deck and the other is for a 54" deck. Based on the deck that you have, install one of the following baffles using the directed hardware. The baffles may be identified by looking at the parts list on Page 16:

- 50" Mowing Deck, install deck baffle Part No. 703-05783 using two 710-3015 1/4-20 hex bolts and 712-04064 1/4-20 flange lock nuts.
- 54" Mowing Deck, install deck baffle Part No. 703-06018A using two 710-04484 self-tap hex bolts.

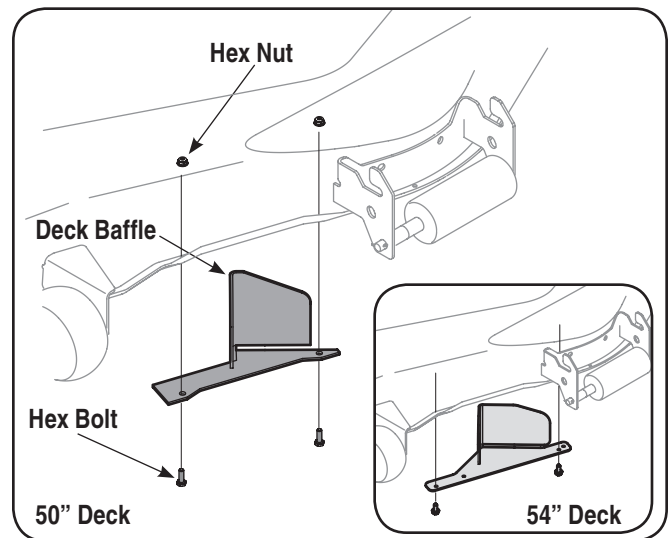


Figure 4-17

Installing the Chute Discharge Plate

1. Remove the discharge chute by removing the two flange lock nuts securing it.
2. With a hammer, lightly tap the bolts out. Discard the bolts and flange lock nuts.
3. Install the chute discharge plate to the bottom side of the deck opening, as seen in Fig. 4-18, using two carriage bolts supplied in hardware pack 689-00090.

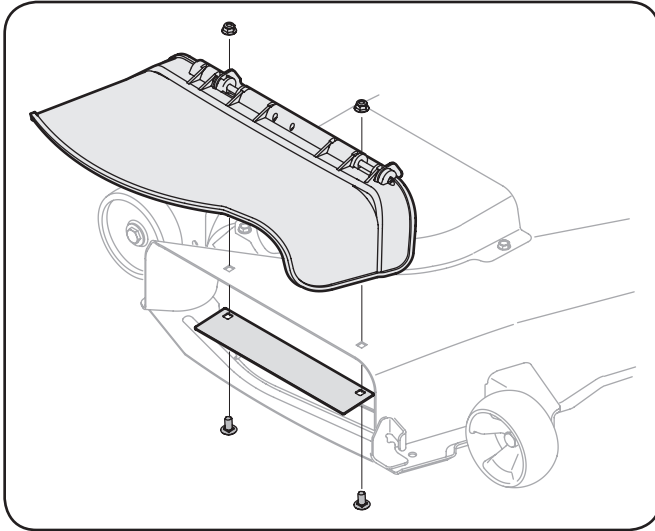


Figure 4-18

4. Replace the discharge chute and secure with two flange lock nuts included in the hardware pack 689-00090.
5. Securely tighten the hardware at this time.

Attaching Chute Stop Bracket

1. Remove the carriage bolt and lock nut holding the chute stop to the deck. See the left Inset of Fig. 4-19. Save the hardware.

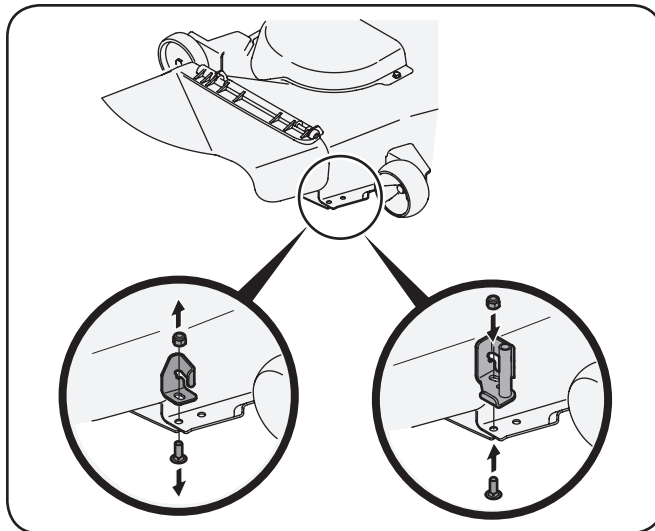


Figure 4-19

2. Install the new chute stop bracket, from the loose parts, at the same position on the deck. See the right Inset of Fig. 4-19. Secure with the hardware removed earlier.

NOTE: An extra carriage bolt and lock nut have been supplied in your bagger kit in hardware pack 689-00090. You may replace the old hardware for the chute stop bracket with this new hardware, or save for later use.

NOTE: This chute stop bracket may stay on the unit even when the bagger is not being used.

Installing the Discharge Chute

1. Reinstall the cutting deck to the tractor reversing the instructions for Deck Removal in operator's manual of the tractor.
2. Raise the deck to its highest position.
3. Raise the chute deflector (A in Fig. 4-20) on the deck and hold it while you position the discharge chute over the chute opening.

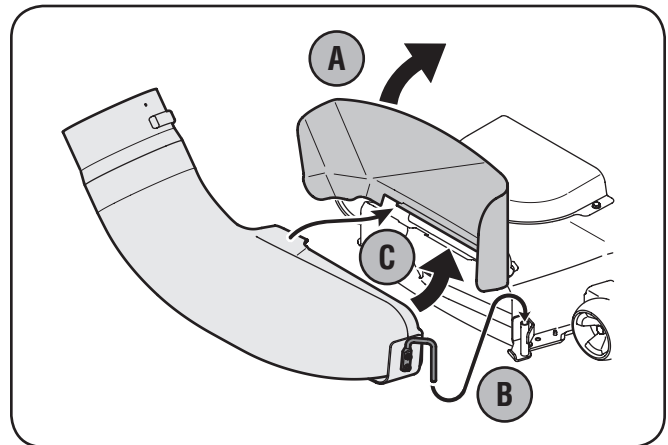


Figure 4-20

4. Insert the hinge pin of the discharge chute into the tube on the chute stop bracket. See B in Fig. 4-20.
5. Rotate the chute around the deck so that its front edge fits snugly into the deck opening. Lower the chute deflector slowly (C in Fig. 4-20).
6. Attach the retainer strap on the discharge chute to the retainer clip on the deck. Refer to Fig. 4-21.

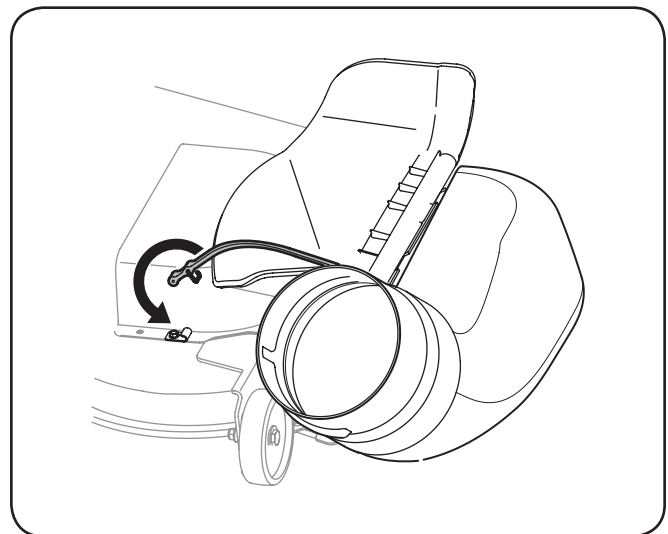


Figure 4-21

Note: For the chute elbow to be properly installed, the bottom edge must fall **below** the bottom of the deck opening and the tab on top of the elbow should rest **above** the deck opening.

7. Install the chute adapter onto the chute elbow by lining up the tabs and sliding the adapter over the chute elbow, as in Fig. 4-22. Secure the chute adapter by installing two ratchet clips (726-3046), included in hardware pack 689-00090, into the holes provided.

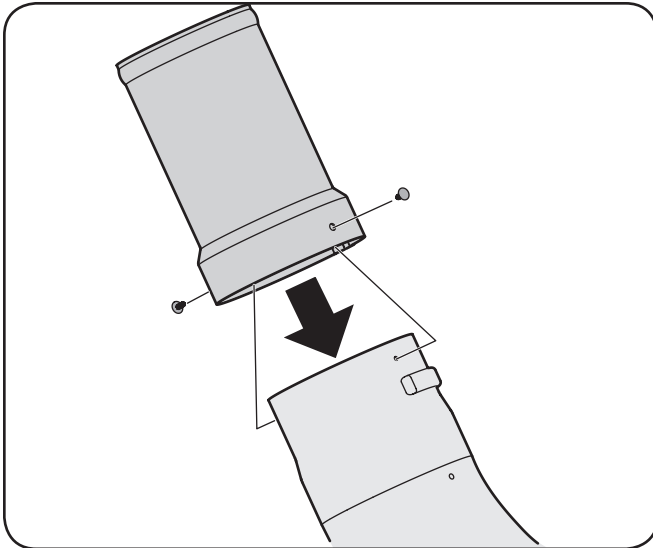


Figure 4-22

8. With the bagger cover open, install the upper chute over the chute adapter, and rest the top so that the chute support sits in the upper chute groove. See Fig. 4-23.

Note: Make sure to align the upper chute with the ridges on the bagger support bracket.

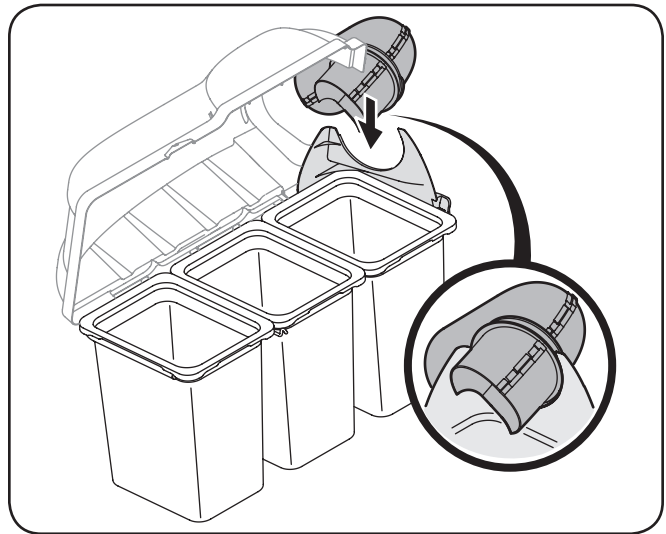


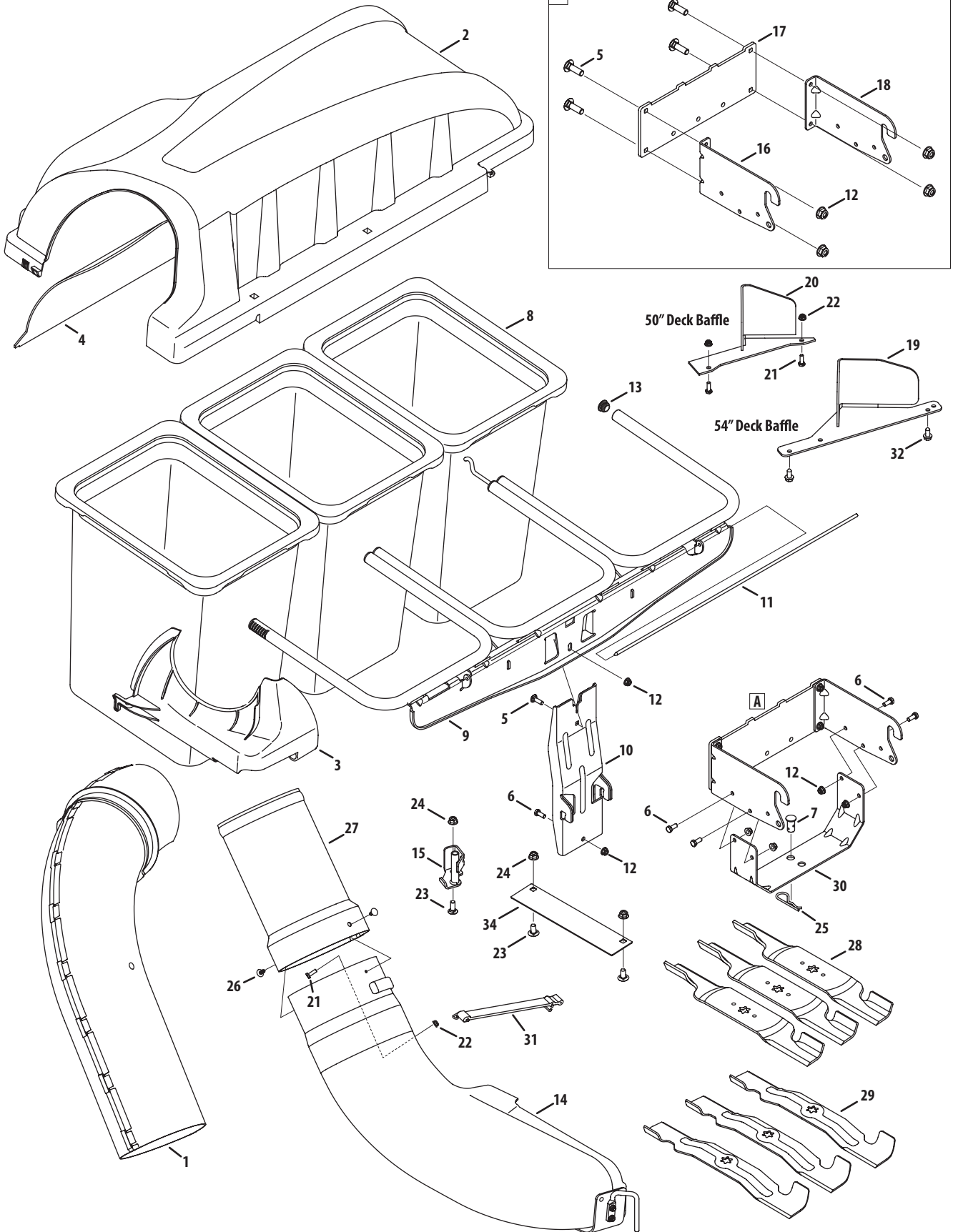
Figure 4-23

Bagger Usage

NOTE: When all of the grass bags are full, place the tractor on a firm, level surface, disengage the PTO, turn the tractor engine off and set the parking brake.

1. Flip Seat up.
2. Lift up grass bag cover as instructed on Page 11 in Step 7. Do not remove the chute tube assembly from the tractor.
3. Remove the grass bags by lifting them up and moving the bags away from the bag support assembly.
4. Empty the grass clippings at a proper disposal sight, use the handle at the bottom of each grass bag. Holding the bag firmly, empty the contents
5. Replace grass bags, close lid, flip down seat, restart your tractor and resume cutting your grass.

19A400020EM Parts List



Ref.	Part Number	Description
1.	931-04291	Upper Chute Assembly
2.	931-04298	Triple Bagger Cover Assembly
3.	731-06497	Upper Chute Support
4.	731-06504	Bagger Cover Screen
5.	710-0276	Carriage Screw, 5/16-18 x 1.00"
6.	710-3008	Hex Head Screw, 5/16-18 x .75"
7.	711-0309A	Clevis Pin, .62" Dia.
8.	964-04096	Grass-bag Assembly
9.	683-04498	Triple Bag Support Assembly
10.	683-04519	Vertical Support Bracket
11.	711-05079	Cover Hinge Pin
12.	712-04063	Flange Lock Nut, 5/16-18
13.	735-0246A	End Plug
14.	631-04300	Discharge Chute Elbow, 50/54" Deck
15.	683-0617A-0637	Chute Stop-Bracket
16.	N/A*	Hitch Bracket, RH
17.	N/A*	Universal Rear Attachment Bracket
18.	N/A*	Hitch Bracket, LH
19.	703-05783-0637	Deck Baffle, 50"
20.	703-06018A-0637	Deck Baffle, 54"
21.	710-3015	Tap Screw, 1/4 - 20 x .750 (50" Deck)
	710-04484	Tap Screw, 5/16-18 x .750 (54" Deck)
22.	712-04064	Flange Lock Nut, 1/4 - 20 (50" Deck)
23.	710-3168	Carriage Screw, 3/8 - 16 x 1.00"
24.	712-04065	Flange Lock Nut, 3/8 - 16
25.	714-0117	Internal Cotter Pin, .148 x 3.00
26.	726-3046	Ratchet Clip, .250
27.	731-06611	Bagger Chute Adapter, 7 In.
28.	742-04056C-0637	Blade, 17.90 Lg., Star Bagging
29.	942-0679	Blade, 18.50 Lg., High Lift
30.	783-05887-0637	Universal Bracket Support, RT-99/LT-5
31.	723-0476	Chute Strap
32.	710-04484	Tap Screw, 5/16-18 x .750 (54" Deck)
33.	689-00101	Mounting Bracket Kit (Incl. Ref. 16-18)
34.	783-06418	Discharge Chute Plate

*Order Reference No. 33

MANUFACTURER'S LIMITED WARRANTY FOR



The limited warranty set forth below is given by MTD LLC with respect to new merchandise purchased and used in the United States and/or its territories and possessions, and by MTD Products Limited with respect to new merchandise purchased and used in Canada and/or its territories and possessions (either entity respectively, "MTD").

"MTD" warrants this product (excluding its *Normal Wear Parts and Attachments* as described below) against defects in material and workmanship for a period of one (1) year commencing on the date of original purchase and will, at its option, repair or replace, free of charge, any part found to be defective in materials or workmanship. This limited warranty shall only apply if this product has been operated and maintained in accordance with the Operator's Manual furnished with the product, and has not been subject to misuse, abuse, commercial use, neglect, accident, improper maintenance, alteration, vandalism, theft, fire, water, or damage because of other peril or natural disaster. Damage resulting from the installation or use of any part, accessory or attachment not approved by MTD for use with the product(s) covered by this manual will void your warranty as to any resulting damage.

Normal Wear Parts are warranted to be free from defects in material and workmanship for a period of thirty (30) days from the date of purchase. Normal wear parts include, but are not limited to items such as: batteries, belts, blades, blade adapters, tines, grass bags, wheels, rider deck wheels, seats, snow thrower skid shoes, friction wheels, shave plates, auger spiral rubber and tires.

Attachments — MTD warrants attachments for this product against defects in material and workmanship for a period of one (1) year, commencing on the date of the attachment's original purchase or lease. Attachments include, but are not limited to items such as: grass collectors and mulch kits.

HOW TO OBTAIN SERVICE: Warranty service is available, WITH PROOF OF PURCHASE, through your local authorized service dealer. To locate the dealer in your area:

In the U.S.A.

Check your Yellow Pages, or contact MTD LLC at P.O. Box 361131, Cleveland, Ohio 44136-0019, or call 1-800-800-7310, 1-330-220-4683 or log on to our Web site at www.mtdproducts.com.

In Canada

Contact MTD Products Limited, Kitchener, ON N2G 4J1, or call 1-800-668-1238 or log on to our Web site at www.mtdcanada.com.

This limited warranty does **not** provide coverage in the following cases:

- a. Log splitter pumps, valves, and cylinders have a separate one-year warranty.

- b. Routine maintenance items such as lubricants, filters, blade sharpening, tune-ups, brake adjustments, clutch adjustments, deck adjustments, and normal deterioration of the exterior finish due to use or exposure.
- c. Service completed by someone other than an authorized service dealer.
- d. MTD does not extend any warranty for products sold or exported outside of the United States and/or Canada, and their respective possessions and territories, except those sold through MTD's authorized channels of export distribution.
- e. Replacement parts that are not genuine MTD parts.
- f. Transportation charges and service calls.
- g. MTD does not warrant this product for commercial use.

No implied warranty, including any implied warranty of merchantability of fitness for a particular purpose, applies after the applicable period of express written warranty above as to the parts as identified. No other express warranty, whether written or oral, except as mentioned above, given by any person or entity, including a dealer or retailer, with respect to any product, shall bind MTD. During the period of the warranty, the exclusive remedy is repair or replacement of the product as set forth above.

The provisions as set forth in this warranty provide the sole and exclusive remedy arising from the sale. MTD shall not be liable for incidental or consequential loss or damage including, without limitation, expenses incurred for substitute or replacement lawn care services or for rental expenses to temporarily replace a warranted product.

Some states do not allow the exclusion or limitation of incidental or consequential damages, or limitations on how long an implied warranty lasts, so the above exclusions or limitations may not apply to you.

In no event shall recovery of any kind be greater than the amount of the purchase price of the product sold. **Alteration of safety features of the product shall void this warranty.** You assume the risk and liability for loss, damage, or injury to you and your property and/or to others and their property arising out of the misuse or inability to use the product.

This limited warranty shall not extend to anyone other than the original purchaser or to the person for whom it was purchased as a gift.

HOW STATE LAW RELATES TO THIS WARRANTY: This limited warranty gives you specific legal rights, and you may also have other rights which vary from state to state.

IMPORTANT: Owner may be required to present proof of purchase to obtain warranty coverage.

**MTD LLC, P.O. BOX 361131 CLEVELAND, OHIO 44136-0019; Phone: 1-800-800-7310, 1-330-220-4683
MTD Canada Limited - KITCHENER, ON N2G 4J1; Phone 1-800-668-1238**