

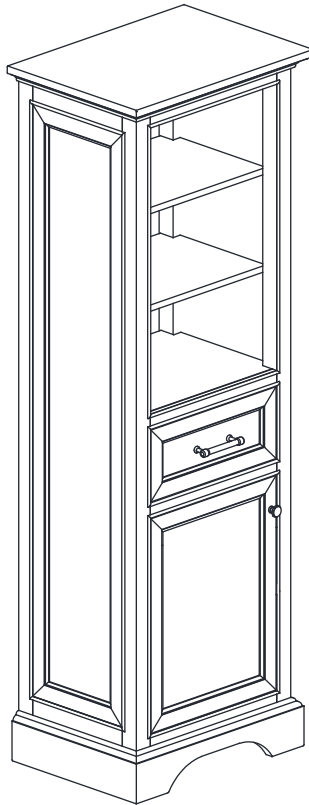
HOME
DECORATORS
COLLECTION

Item # : 1002927956

Model # : 15101-LT22-WT

USE AND CARE GUIDE

Windlowe 22" Linen Cabinet



Questions, problems, missing parts? Before returning to the store,
call Home Decorators Collection Customer Service
8 a.m. – 7 p.m., EST, Monday – Friday, 9 a.m. – 6 p.m., EST, Saturday

1-800-986-3460

HOMEDEPOT.COM/HOMEDECORATORS

THANK YOU


We appreciate the trust and confidence you have placed in Home Decorators Collection through the purchase of this cabinet. We strive to continually create quality products designed to enhance your home. Visit us online to see our full line of products available for your home improvement needs. Thank you for choosing Home Decorators Collection!


Table of Contents


Table of Contents	2	Installation	5
Safety Information	2	Maintenance	6
Warranty	2	Care and Cleaning	6
LIMITED LIFETIME WARRANTY	2	Troubleshooting	6
What is Covered	2	Service Parts	6
What is Not Covered	2		
Pre-installation	3		
Planning Installation	3		
Tools Required	3		
Hardware Included	3		
Package Contents	4		

Safety Information

 **WARNING:** Two people are required for safe installation.

 **CAUTION:** Do not use water that exceeds temperatures of 140°F/46°C.

 **CAUTION:** The bathroom floor and wall must be finished prior to installation of the linen cabinet.

 **CAUTION:** Do not place any sharp or abrasive objects on the bare surface.

Warranty

LIMITED LIFETIME WARRANTY

WHAT IS COVERED

Homedecorators products are manufactured with superior quality standards and workmanship and are backed by our limited lifetime warranty. Homedecorators products are warranted to the original consumer purchaser to be free of defects in materials or workmanship. We will replace FREE OF CHARGE any product or parts that proves defective. Simply, return the product / part to any of The Home Depot retail locations or call 1-800-986-3460 to receive the replacement item. Proof of purchase (original sales receipt) from the original consumer purchaser must be made available for all Homedecorators warranty claims.

WHAT IS NOT COVERED

This warranty excludes incidental/inconsequential damages and failures due to misuse, abuse or normal wear and tear. This warranty excludes all industrial, commercial & business usage, whose purchasers are hereby, extended a five year limited warranty from the date of purchase, with all other terms of this warranty applying except the duration of warranty. Some states and provinces do not allow the exclusion or limitation of incidental or consequential damages, so the above limitations may not apply to you. This warranty gives you specific legal rights and you may also have other rights that vary from state to state and province to province. Please see a store or contact 1-800-986-3460 for more details.

Contact the Customer Service Team at 1-800-986-3460 or visit www.HomeDepot.com/HomeDecorators

Pre-Installation

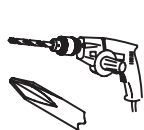
PLANNING INSTALLATION

To ensure your installation goes smoothly, please read these instructions carefully and review the recommended tools and hardware before you begin.

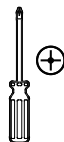
To remove the old cabinet (if applicable).

Using a level, locate any uneven floor and/or wall areas where your cabinet will be installed. Unevenness can cause your cabinet to become misaligned resulting in twisting of the cabinet. Repair any uneven areas by reducing high spots or shimming low spots.

TOOL REQUIRED



Electric drill
with #2 drill bit



Phillips
screwdriver



Safety
goggles



Tape
measure

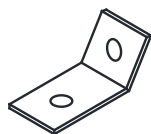


Level

HARDWARE INCLUDED



NOTE: Hardware shown to actual size.



AA



BB



CC



DD

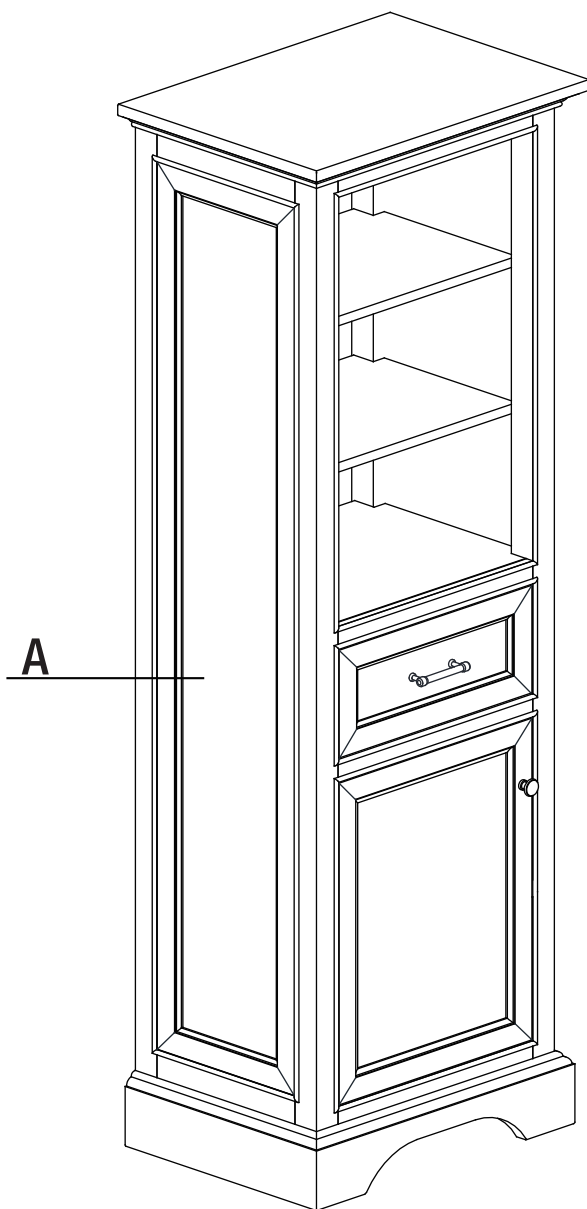


EE

Part	Description	Quantity
AA	Bracket	2
BB	Strap	1
CC	1-2/5	1
DD	5/8 in. screw	1
EE	Plastic plug	1

Pre-Installation (continued)

PACKAGE CONTENTS

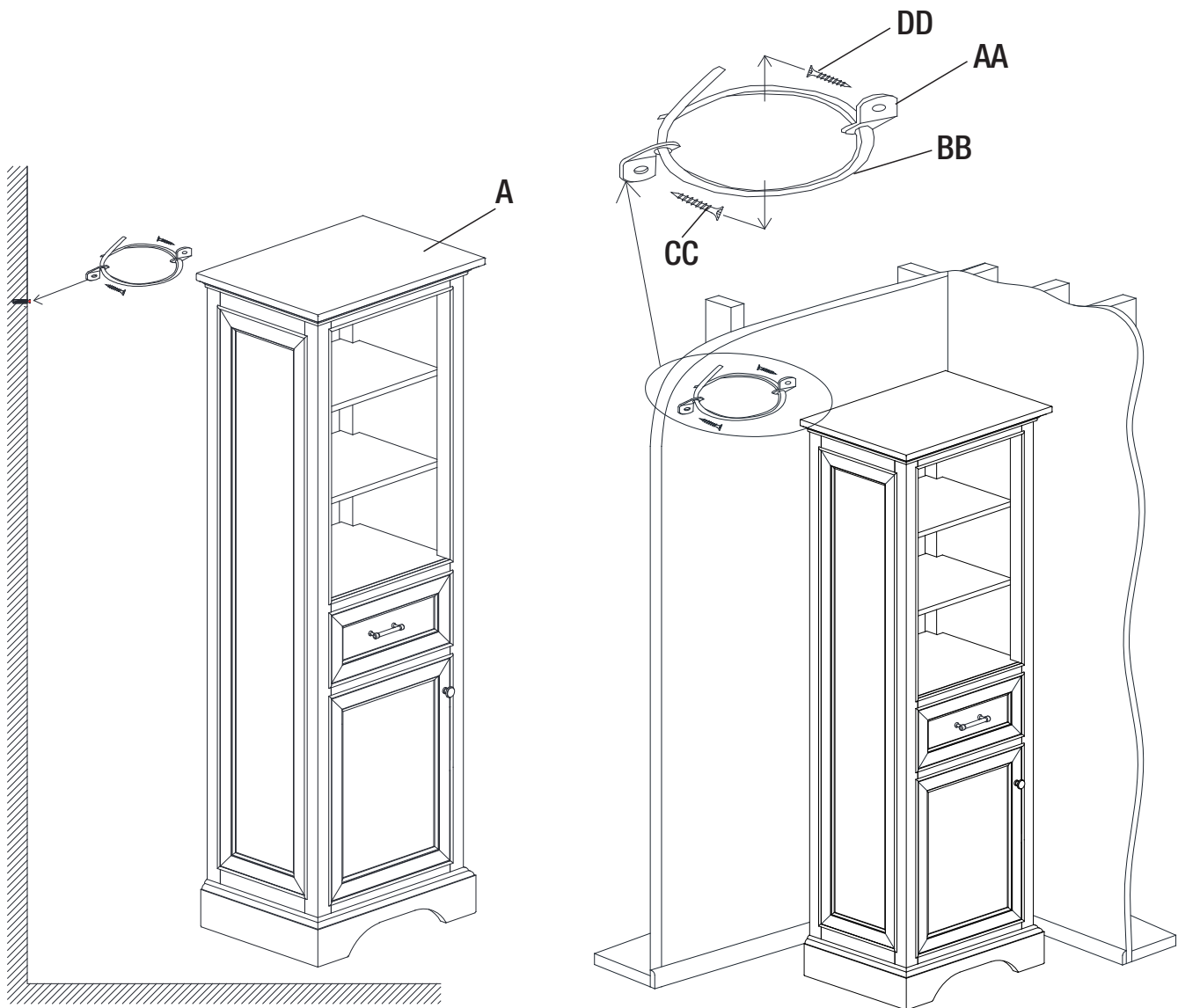


Part	Description	Quantity
A	Linen cabinet	1

Installation

1 Installing the tip restraint hardware

- Drill a hole on the wall in the desired location place the plastic plug (EE) into the predrilled hole on the wall.
- Attach a bracket (AA) securely to the back top rail of the linen cabinet (A) by using the 5/8 inch screw (DD) provided through the smaller hole.
- Install a bracket (AA) on the wall over a wall stud and 2 inches below the mounting bracket secured to the back of the linen cabinet (A). Attach the bracket (AA) to the wall stud by using the plastic plug (EE) and 1-2/5 inch screw (CC) provided through the smaller hole.
- Place the linen cabinet (A) into position so both mounting brackets are vertically in line.
- Lace the end of the restraint strap (BB) through the larger hole in each mounting bracket (AA). Bring both ends together and slide the flat end through the locking end and draw it through until all slack is removed.
- Confirm that the strap is securely laced and locked.



Maintenance

- To maintain the beauty of the furniture finish, avoid placing the linen cabinet in direct sunlight.
- Avoid exposing the linen cabinet to extreme temperatures by installing away from heat and air vents.

Care and Cleaning

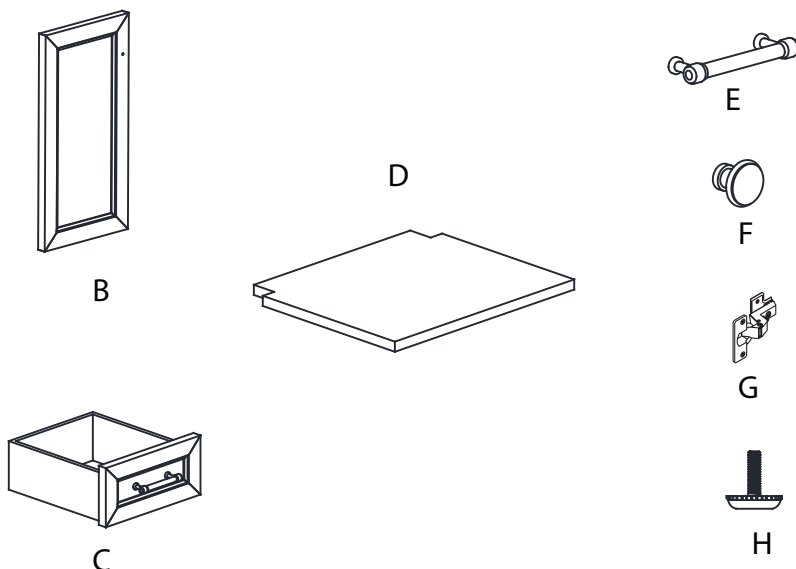
- Dust frequently with a clean, soft and dry cloth.
- Wipe away any water or liquid spills on the linen cabinet immediately with a clean soft and dry cloth.

Troubleshooting

Problem	Possible Cause	Corrective Action
There is an uneven gap between the doors and cabinet.	The floor is not level.	<ul style="list-style-type: none"> □ Adjust the leg levelers to ensure the linen cabinet is level. □ Adjust the door hinges.

Service Parts

MODEL 15101-LT22-WT



Part	Description	Quantity
B	Left door	1
C	Drawer	1
D	Shelf	2

Part	Description	Quantity
E	Handle	1
F	Knob	1
G	Soft-close hinge	2
H	Leg levelers	4

HOME DECORATORS COLLECTION

Questions, problems, missing parts? Before returning to the store,
call Home Decorators Collection Customer Service
8 a.m. – 7 p.m., EST, Monday – Friday, 9 a.m. – 6 p.m., EST, Saturday

1-800-986-3460

HOMEDEPOT.COM/HOMEDECORATORS



IMPORTANT HEALTH NOTICE

SOME OF THE BUILDING MATERIALS USED IN THIS HOME (OR THESE BUILDING MATERIALS) EMIT FORMALDEHYDE. EYE, NOSE, AND THROAT IRRITATION, HEADACHE, NAUSEA AND A VARIETY OF ASTHMA-LIKE SYMPTOMS, INCLUDING SHORTNESS OF BREATH, HAVE BEEN REPORTED AS A RESULT OF FORMALDEHYDE EXPOSURE. ELDERLY PERSONS AND YOUNG CHILDREN, AS WELL AS ANYONE WITH A HISTORY OF ASTHMA, ALLERGIES, OR LUNG PROBLEMS, MAY BE AT GREATER RISK. RESEARCH IS CONTINUING ON THE POSSIBLE LONG-TERM EFFECTS OF EXPOSURE TO FORMALDEHYDE.

REDUCED VENTILATION MAY ALLOW FORMALDEHYDE AND OTHER CONTAMINANTS TO ACCUMULATE IN THE INDOOR AIR. HIGH INDOOR TEMPERATURES AND HUMIDITY RAISE FORMALDEHYDE LEVELS, WHEN A HOME IS TO BE LOCATED IN AREAS SUBJECT TO EXTREME SUMMER TEMPERATURES, AN AIR-CONDITIONING SYSTEM CAN BE USED TO CONTROL INDOOR TEMPERATURE LEVELS. OTHER MEANS OF CONTROLLED MECHANICAL VENTILATION CAN BE USED TO REDUCE LEVELS OF FORMALDEHYDE AND OTHER INDOOR AIR CONTAMINANTS.

IF YOU HAVE ANY QUESTIONS REGARDING THE HEALTH EFFECTS OF FORMALDEHYDE, CONSULT YOUR DOCTOR OR LOCAL HEALTH DEPARTMENT.