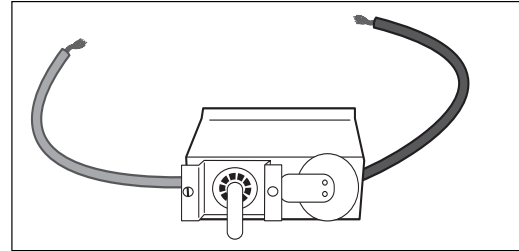
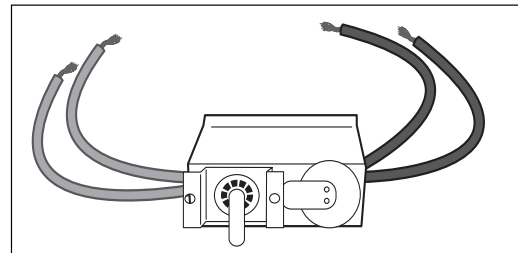


Benefits You Can Depend On

- Optional built-in temperature control for your Cadet Perfectoe model UC undercabinet heater
- Easy to use adjustable dial
- Available with white or black knobs to match your heater grill
- Use with 120 or 240 volt Cadet Perfectoe model UC undercabinet heaters
- Available in single (2 wires) or double (4 wires) pole
- 22 amp maximum rating
- Your UCT built-in thermostat is guaranteed with a **limited 1 year warranty**



**Single Pole Thermostat Models:
UCT1W, UCT1B**



**Double Pole Thermostat Models:
UCT2W, UCT2B**

**TOOLS
REQUIRED:**

- Phillips Screwdriver
- (3) or (4) Insulated Wire Connectors

Single pole or double pole thermostats may be used with both 120 or 240 volt service.

IMPORTANT

When using electrical appliances, basic precautions should always be followed to reduce the risk of fire, electric shock, and injury to persons, including the following:

1. Read all instructions before installing or using this thermostat.
2. High temperatures may be generated under certain abnormal conditions. Do not partially or fully cover or obstruct the front of the heater.
3. Do not operate any heater after it malfunctions. Disconnect power at service panel and have heater inspected by a qualified electrician before reusing.
4. To disconnect heater, turn controls to off or low, and turn off power to heater circuit at main disconnect panel.
5. Do not insert or allow foreign objects to enter any ventilation or exhaust opening as this may cause an electric shock or fire, or damage the heater.
6. To prevent a possible fire, do not block air intakes or exhaust in any manner.
7. A heater has hot and arcing or sparking parts inside. Do not use it in areas where gasoline, paint, or flammable vapors or liquids are used or stored.
8. Do not use outdoors.

SAVE THESE INSTRUCTIONS

INSTALLATION INSTRUCTIONS

1. All electrical work and materials must comply with the National Electric Code (NEC), the Occupational Safety and Health Act (OSHA), and all state and local codes.
2. Use copper conductors only.

3. Turn off power to heater circuit at main disconnect panel.
4. Connect grounding lead to grounding screw provided.

1. Remove the heater lid (top cover) from the heater assembly.
2. Attach the thermostat and bracket assembly to the inside of the heater as shown in Figure 1. Use the two screws provided and screw in from the front of the heater.
3. Proceed with Steps 4a and 4b for model UCT1 or UCT2, then proceed to Step 5.

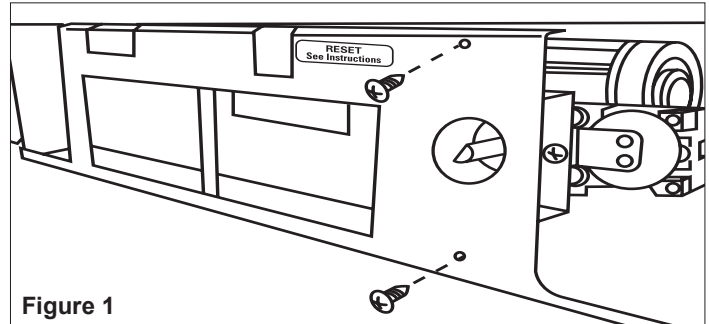


Figure 1

For Model UCT1 Single Pole Thermostat (2 wires)

- 4a. Connect the red thermostat wire to one of the power supply wires using an insulated wire connector (not included). See Figure 2.
- 4b. Connect the black thermostat wire to one heater wire using an insulated wire connector (not included). Then connect the remaining power supply wire and the remaining heater wire using an insulated wire connector (not included). See Figure 3.

For Model UCT2 Double Pole Thermostat (4 wires)

- 4a. Connect the two red thermostat wires to each of the power supply wires using insulated wire connectors (not included). See Figure 4.
- 4b. Connect the two black thermostat wires to each of the two heater wires using insulated wire connectors (not included). See Figure 5.

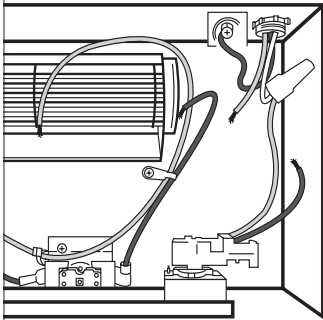


Figure 2

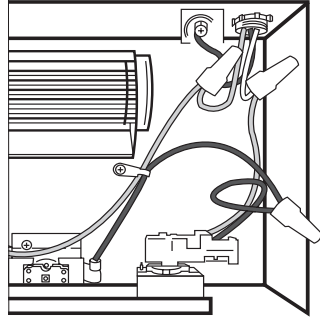


Figure 3

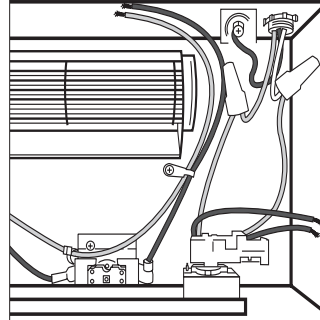


Figure 4

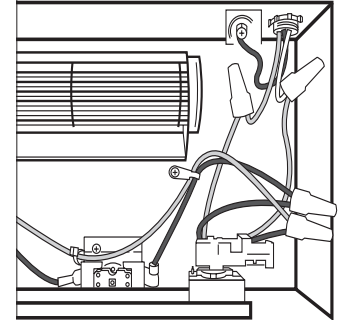


Figure 5

5. Make sure all connections are tight and secure, and carefully tuck all wires into the wiring compartment.
6. Remove the plug from the front grill. Install the heater lid and front grill, and complete your heater installation according to the Perfectoe UC owner's manual.
7. Install the thermostat knob onto the thermostat shaft extending through the grill. Restore power to the heater.
8. Turn the thermostat knob fully clockwise. When the room reaches your comfort level, turn the knob counterclockwise until a slight click is heard. The heater will now cycle around this preset temperature. To reduce the room temperature, turn the knob counterclockwise. To increase the room temperature, turn the knob clockwise.

Warranty

For more effective and safer operation and to prolong the life of the heater, read the Owner's Guide and follow the maintenance instructions. Failure to properly maintain the heater will void any warranty and may cause the heater to function improperly. Warranties are non transferable and apply to original consumer only. Warranty terms are set out below.

LIMITED ONE-YEAR WARRANTY: Cadet will repair or replace any UCT1 or UCT2 thermostat found to be defective within one year after the date of purchase.

These warranties do not apply:

1. Damage occurs to the product through improper installation or incorrect supply voltage;
2. Damage occurs to the product through improper maintenance, misuse, abuse, accident, or alteration;
3. The product is serviced by anyone other than Cadet;
4. If the date of manufacture of the product cannot be determined;
5. If the product is damaged during shipping through no fault of Cadet.
6. The use of unauthorized accessories or unauthorized components constitutes an alteration and voids all warranties. Refer to Cadet website or call customer service at 855.CADET.US for list of authorized accessories and components.
7. CADET'S WARRANTY IS LIMITED TO REPAIR OR REPLACEMENT AS SET OUT HEREIN. CADET SHALL NOT BE LIABLE FOR DAMAGES SUCH AS PROPERTY DAMAGE OR FOR CONSEQUENTIAL DAMAGES AND/OR INCIDENTAL EXPENSES RESULTING FROM BREACH OF THESE WRITTEN WARRANTIES OR ANY EXPRESS OR IMPLIED WARRANTY.

8. IN THE EVENT CADET ELECTS TO REPLACE ANY PART OF YOUR CADET PRODUCT, THE REPLACEMENT PARTS ARE SUBJECT TO THE SAME WARRANTIES AS THE PRODUCT. THE INSTALLATION OF REPLACEMENT PARTS DOES NOT MODIFY OR EXTEND THE UNDERLYING WARRANTIES. REPLACEMENT OR REPAIR OF ANY CADET PRODUCT OR PART DOES NOT CREATE ANY NEW WARRANTIES.

9. These warranties give you specific legal rights, and you may also have other rights which vary from state to state. Cadet neither assumes, nor authorizes anyone to assume for it, any other obligation or liability in connection with its products other than as set out herein.

If you believe your Cadet product is defective, please contact Cadet Manufacturing Co. at 855.CADET.US, during the warranty period, for instructions on how to have the repair or replacement processed. Warranty claims made after the warranty period has expired will be denied. Products returned without authorization will be refused.

Parts and Service

Visit cadetheat.com/support/parts-service for information on where to obtain parts and service.



Reduce-Reuse-Recycle

This product is made primarily of recyclable materials. You can reduce your carbon footprint by recycling this product at the end of its useful life. Contact your local recycling support center for further recycling instructions.