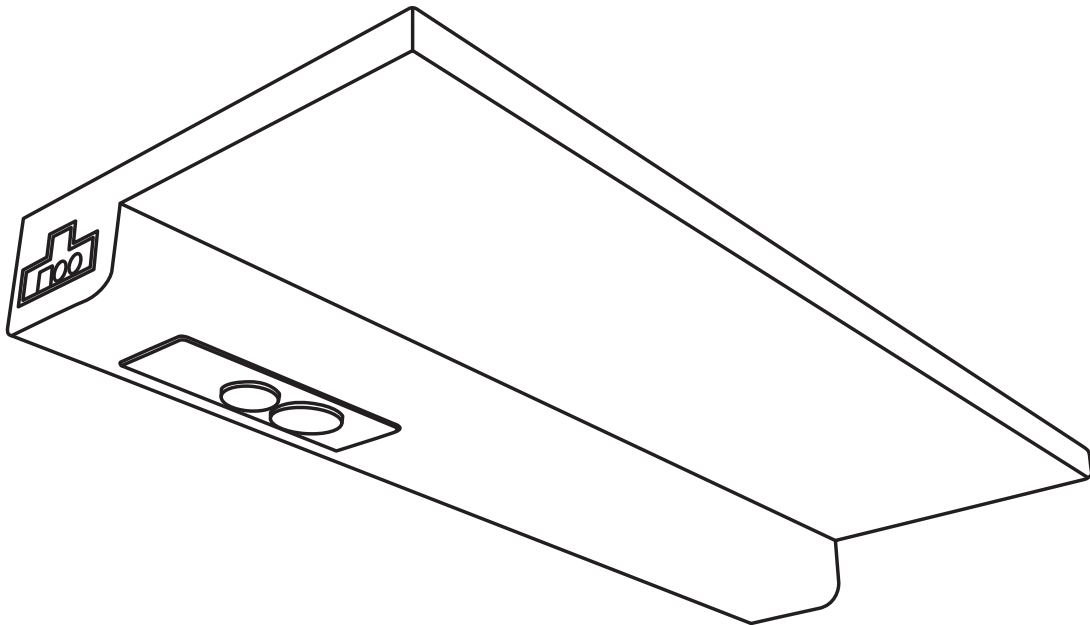




# FLAT PANEL UNDER CABINET LIGHT

FITS 24 IN. CABINETS (20 1/2 IN. TOTAL LENGTH)

## IMPORTANT SAFETY INSTRUCTIONS AND INSTALLATION GUIDE



**READ BEFORE INSTALLATION**  
**SAVE THESE INSTRUCTIONS**

Questions, problems, missing parts? Before returning to the store,  
call Feit Electric Customer Service  
8 a.m. - 5 p.m., PST, Monday - Friday

1-866-326-BULB (2852)

FEIT.COM

# Table of Contents

Table of Contents .....	2
Safety Information .....	2
FCC Statement .....	2
Warranty .....	2
Pre-Assembly .....	3
Single LED Fixture Hardwire Installation .....	4-5
Alternative Plug-In Installation .....	6
Operating Instructions .....	7

## Safety Information

## Save These Instructions

### IMPORTANT SAFEGUARDS:

ALWAYS FOLLOW BASIC SAFETY PRECAUTIONS WHEN USING ELECTRICAL PRODUCTS, ESPECIALLY WHEN CHILDREN ARE PRESENT.



**CAUTION:** Do not attempt to install while plugged in. This fixture is for indoor use only. Not for use with plastic cabinets. Do not install this fixture inside a totally enclosed cabinet. Do not mount over stoves.



**WARNING:** To avoid risk of electrical shock, always make sure the product is unplugged from the electrical outlet before assembling, disassembling, relocating, servicing or cleaning it.



**CAUTION:** Do not install this product in a wet location.



**CAUTION:** Do not install this product in an outdoor location.



**CAUTION:** Do not use chemical solvents or harsh abrasives to clean the fixture.

### FCC STATEMENT

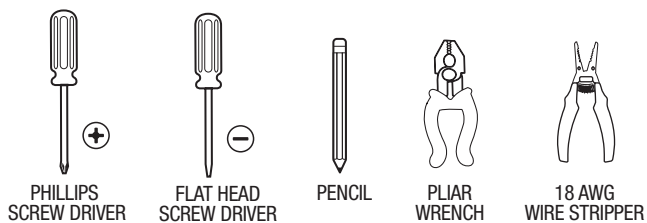
This device complies with part 15 of the FCC Rules. Operation is subject to the following two conditions:

(1) This device may not cause harmful interference, and (2) this device must accept any interference received, including interference that may cause undesired operation. Note: This equipment has been tested and found to comply with the limits for a Class B digital device, pursuant to part 15 of the FCC Rules. These limits are designed to provide reasonable protection against harmful interference in a residential installation. This equipment generates, uses and can radiate radio frequency energy and, if not installed and used in accordance with the instructions, may cause harmful interference to radio communications. However, there is no guarantee that interference will not occur in a particular installation. If this equipment does cause harmful interference to radio or television reception, which can be determined by turning the equipment off and on, the user is encouraged to try to correct the interference by one or more of the following measures: Reorient or relocate the receiving antenna. Increase the separation between the equipment and receiver. Connect the equipment into an outlet on a circuit different from that to which the receiver is connected. Consult the dealer or an experienced radio/TV technician for help. Any changes or modifications not expressly approved by the manufacturer could void the user's authority to operate the equipment. Feit Electric Company, 4901 Gregg Road, Pico Rivera, CA 90660. www.feit.com, 1-800-543-3348.

## Limited Warranty

This product is warranted to be free from defects in workmanship and materials for up to 1 year from date of purchase. If the product fails within the warranty period, please contact Feit Electric at [info@feit.com](mailto:info@feit.com), visit [feit.com/contact-us](http://feit.com/contact-us) or call 1-866-326-BULB (2852) for instructions on replacement or refund. REPLACEMENT OR REFUND IS YOUR SOLE REMEDY. EXCEPT TO THE EXTENT PROHIBITED BY APPLICABLE LAW, ANY IMPLIED WARRANTIES ARE LIMITED IN DURATION TO THE DURATION OF THIS WARRANTY. LIABILITY FOR INCIDENTAL OR CONSEQUENTIAL DAMAGES IS HEREBY EXPRESSLY EXCLUDED. Some states and provinces do not allow the exclusion of incidental or consequential damages, so the above limitation or exclusion may not apply to you. This warranty gives you specific legal rights, and you may also have other rights which vary from state to state or province to province.

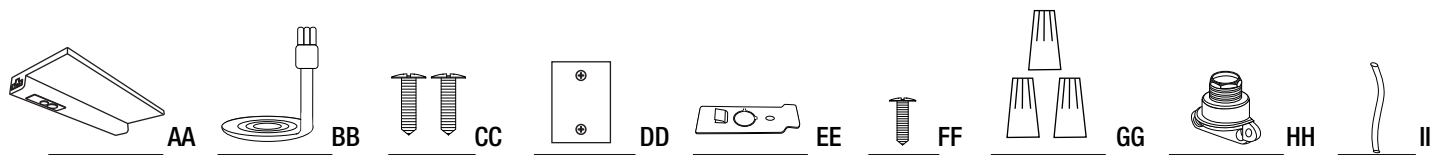
## TOOLS REQUIRED



## HARDWARE INCLUDED



**NOTE:** Hardware not shown to actual size.

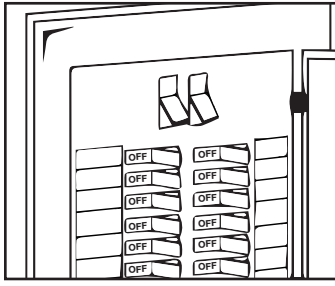


Part	Description	Quantity
AA	24in. LED Flat Panel Fixture	1
BB	18in. Connector Cable	1
CC	Mounting Screws	2
DD	Fixture Mounting Template	1
EE	Hardwire Bracket	1
FF	Hardwire Bracket Screw	1
GG	Wire Nut	3
HH	Clamp Connector	1
II	18AWG Wire (Green Ground Wire)	1

Item No.	Description	Volts (V)	Wattage Per Fixture (W)	Input Current (mA)	Maximum Linkable Units at 120V	Maximum Linkable Units with In-Wall Dimmer
UCL24FP/5CCTCA	24 Inch Flat Panel Under Cabinet LED Fixture	120	20	240	41	5

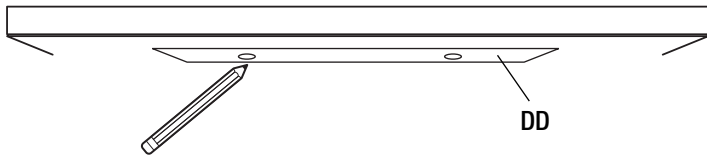
## 1 Turn Off the Power

Turn the power OFF from the breaker panel before starting installation.



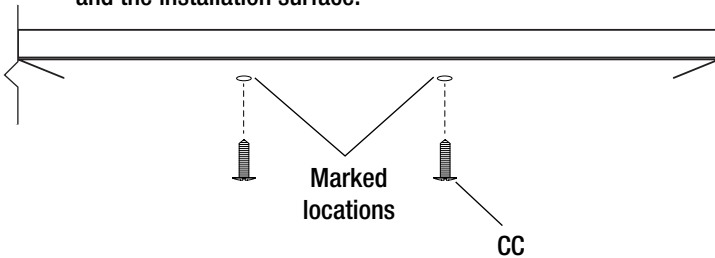
## 2 Position the Fixture

Find the desired place for the LED light fixture and mark clearly using the provided mounting bracket template (DD).



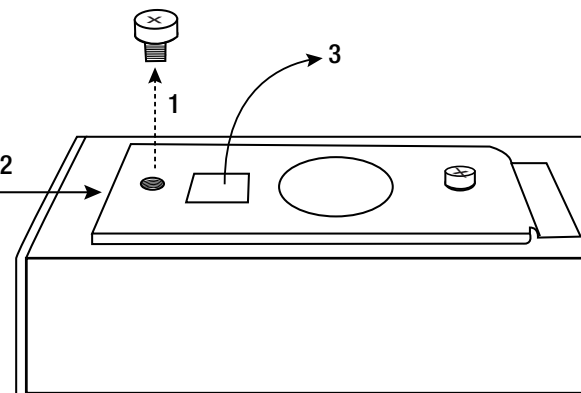
## 3 Installing the Mounting Screws

Screw in the Mounting Screws (CC) on the marked locations, leaving a gap of 0.08-0.10 inches between the screw head and the installation surface.



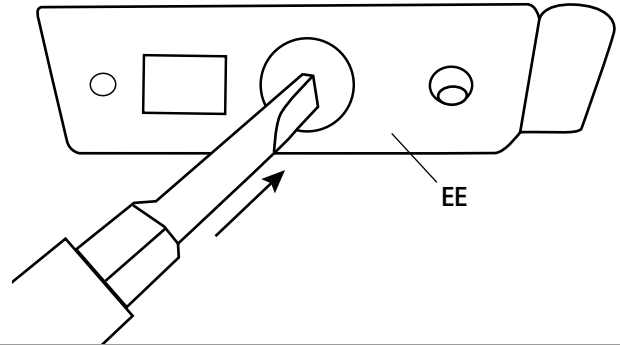
## 4 Removing the Hardwire Bracket

Remove the screw on the hardwire bracket, then slide and lift the bracket off of the fixture.



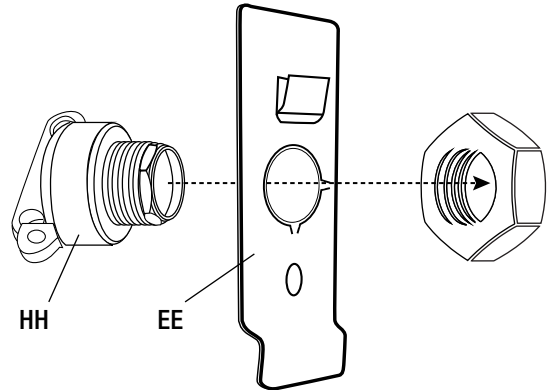
## 5 Removing the Knock-out

Carefully remove the knock-out with a flathead screwdriver.



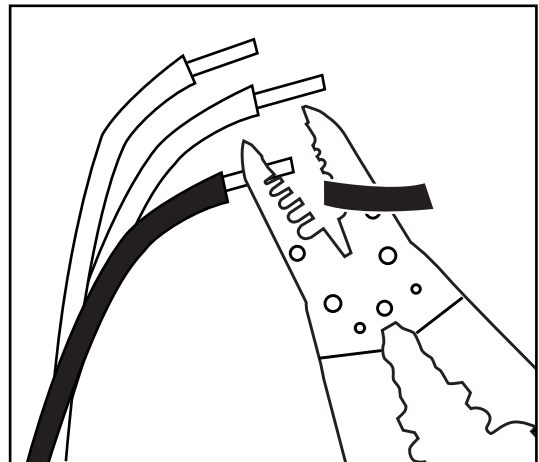
## 6 Installing the Clamp Connector to the Knockout Hole

Install the Clamp Connector (HH) to the knock-out hole by inserting it through the hole and securing it with the nut. The Clamp Connector (HH) should be on the outer side of the bracket.



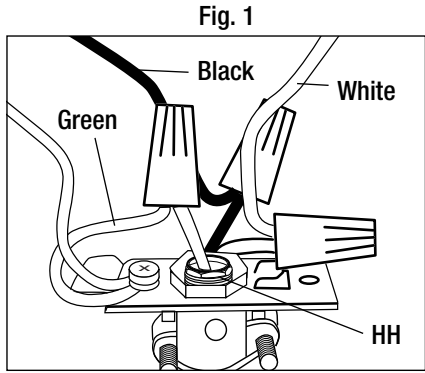
## 7 Cutting and Stripping Wires

Take out of the black and white 18AWG wires in the fixture and the green 18AWG wire (II) in the plastic bag. Cut and strip the wires to the correct length.



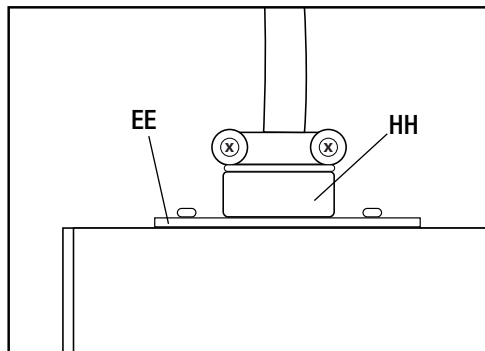
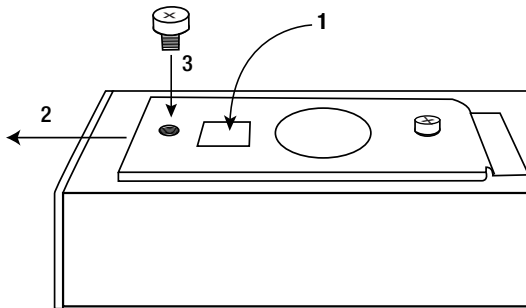
## 8 Wire Power Supply to the Fixture

Feed the supply wire through the Clamp Connector (HH) and knockout hole and make all connections using the wire nuts provided. Connect the 120V line (black) wire to the black wire. Connect the neutral (white) wire to the white wire. Connect the ground (green) wire to the green wire.



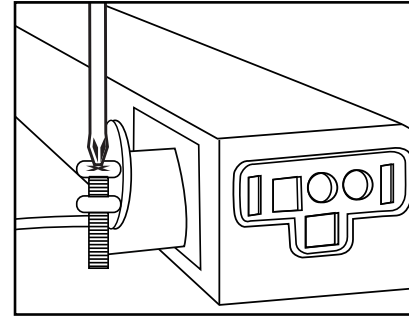
## 9 Replace the Wiring Bracket

After connecting the wires correctly, place the wires inside the fixture and reinsert the bracket, sliding it over and screwing it secure.



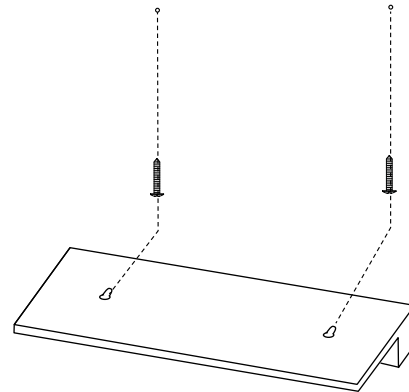
## 10 Secure Supply Wires with the Clamp Connector

Secure the supply wire by firmly screwing the clamp connectors down on the wire.



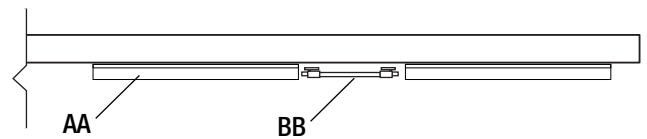
## 11 Installing LED Fixture

Align holes on the back of the fixture to the heads of the Mounting Screws. Slide fixture towards the mounting slot. If the fixture is not snug, remove the fixture and readjust the screws.



## 12 Linking LED Fixtures

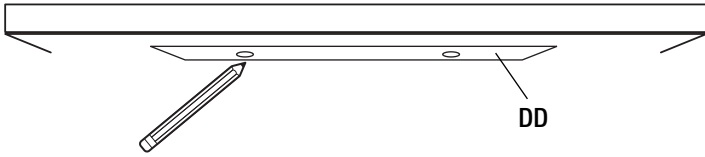
Connect the LED Fixtures (AA) using the provided Connector Cable (BB).



**NOTE:** To install 2 or more LED fixtures, repeat the single fixture installation instructions with two or more units.

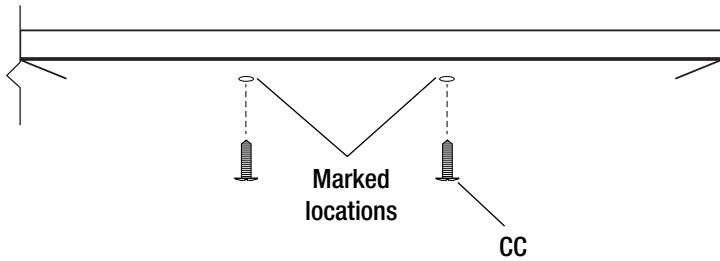
## 1 Position the Fixtures

Find the desired place for the LED light fixture and mark clearly using the provided mounting bracket template (DD).



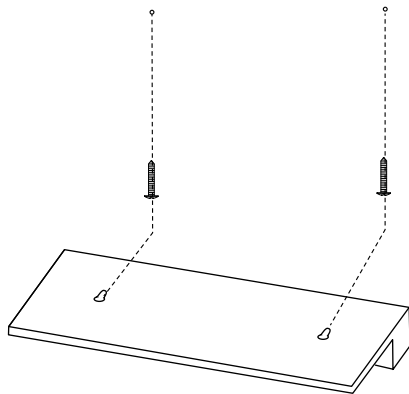
## 2 Installing the Mounting Screws

Screw in the Mounting Screws (CC) on the marked locations, leaving a gap of 0.08-0.10 inches between the screw head and the installation surface.



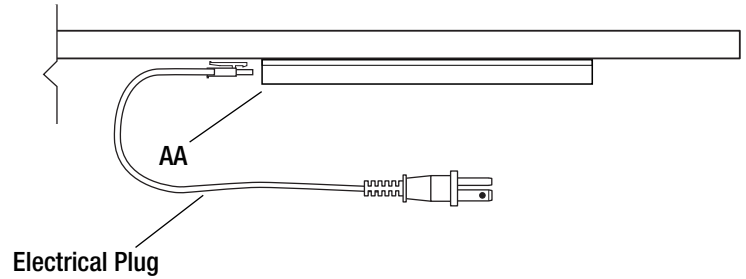
## 3 Installing LED Fixture

Align holes on the back of the fixture to the heads of the Mounting Screws. Slide fixture forwards to secure into place. If the fixture is not snug, remove the fixture and readjust the screws.



## 4 Connecting the Power Supply

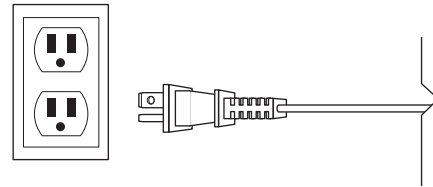
Plug In Electrical Plug to the LED Fixture (AA).

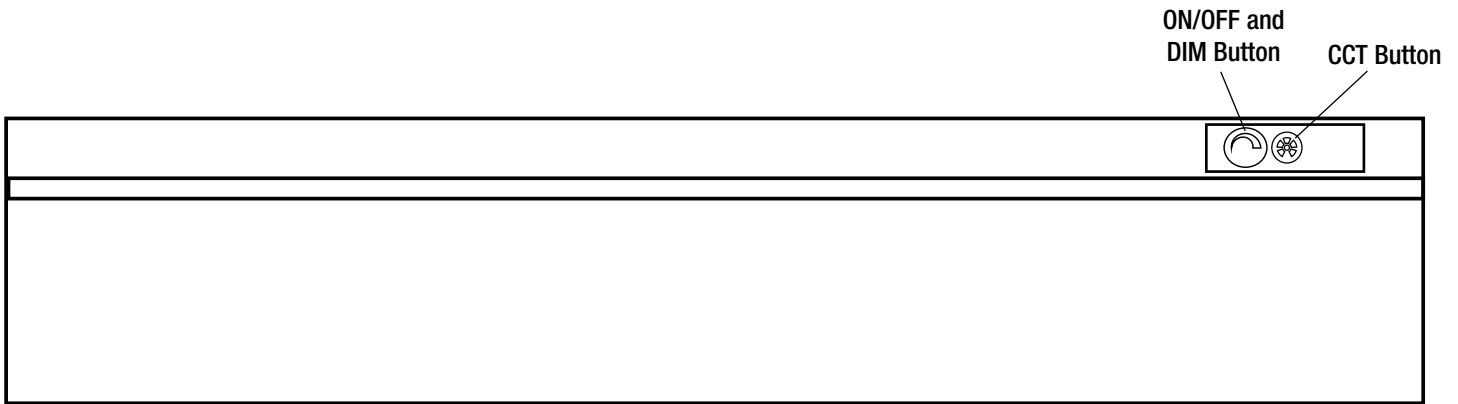


**NOTE:** The electrical plug can be connected to either side of the LED Fixture (AA).

## 5 Connecting to a Power Outlet

Connect the Electrical Plug to the power outlet on the wall.





## Use the ON/OFF and Dim Button for ON/OFF Operation and to Change the Dimming Levels

- To select the desired dimming level, cycle through the dimming levels (High, Medium, Low, Dim, Off) by pressing the Dim Button. This setting will be fixed each time the ON/OFF switch is turned ON.

## Changing the Color Temperature Setting

- To select the desired color temperature, cycle through 2700K - 3000K - 3500K - 4000K - 5000K by pressing the CCT Button. This setting will be fixed each time the ON/OFF switch is turned ON.

## This LED Fixture has the feature to operate and control multiple units, even if they are not linked.

- To control multiple fixtures, Hold the CCT button for 3 seconds on all the fixtures to be controlled in a group.
- To remove the individual fixture from the group, Hold the CCT button on the fixture that you want to control individually for 3 seconds.