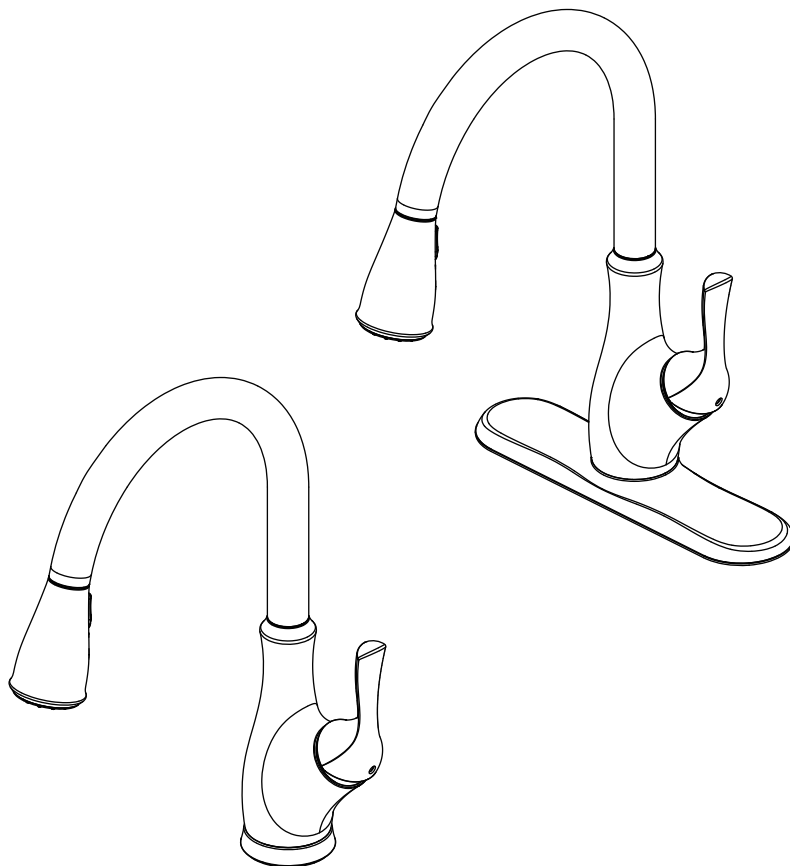


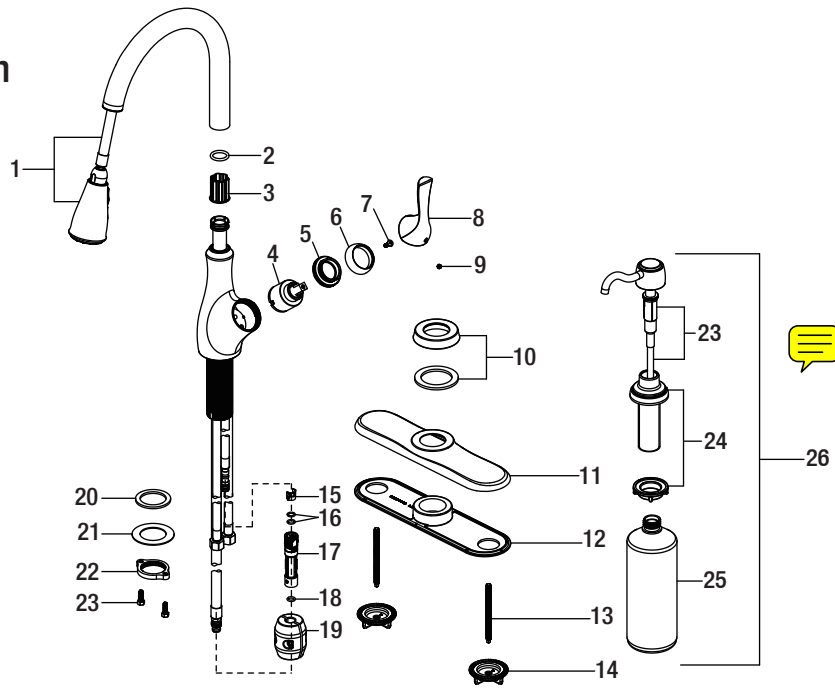
Installation Instruction

Pull Down Kitchen Faucet



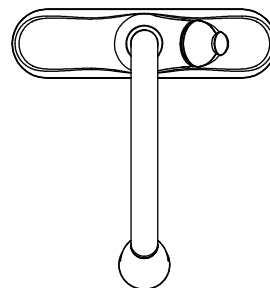
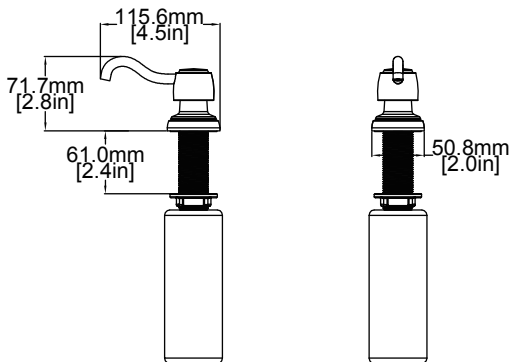
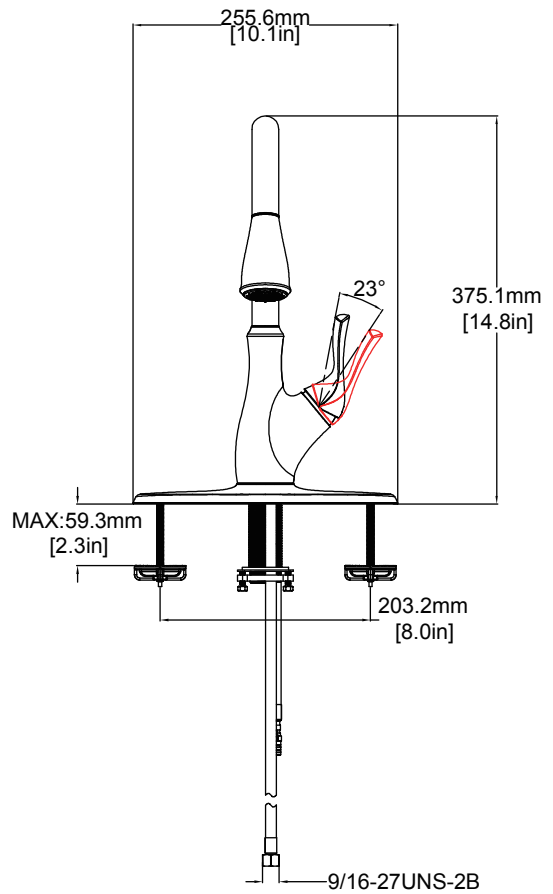
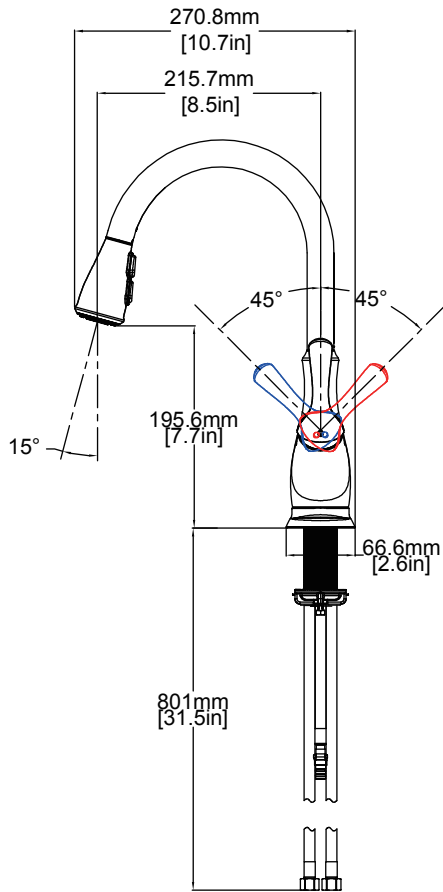
Model: 7636

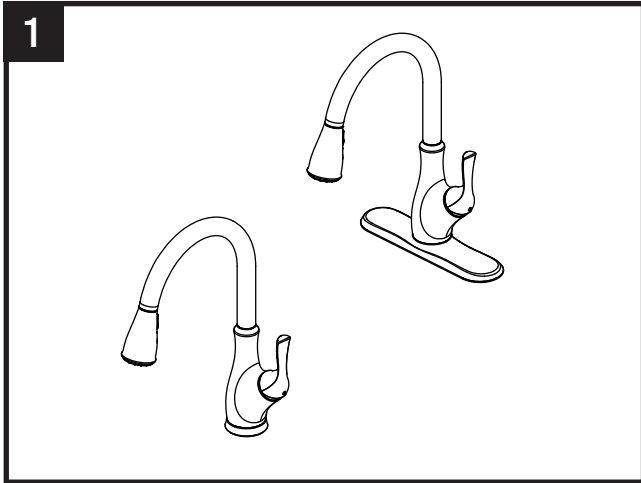
***Specify Finish**



PART PIÈCE	DESCRIPTION DESCRIPTION	PART# N ° DE PIECE
1	Spray head and Hose / Cabezal rociador y manguera	RP38241*
2	O-ring / Cartucho y tornillo	RP60071
3	Wearable ring / Bonete	RP70380
4	Cartridge / Cartucho	RP20005
5	Bonnet / Bonete	RP70394
6	Cap /Tapa	RP80028*
7	Screw / Dispensador de jabón	RP50015
8	Handle / Llave	RP13390*
9	Set screw / Tornillo de fijación	RP50002
10	Flange & Washer / Brida y arandela	RP80463*
11	Escutcheon / Placa protectora	RP80461*
12	Base plate / Placa base	RP80462
13	Bolt / Perno	RP50071
14	Mounting nut / Tuerca	RP56036
15	Block / Bloque	RP70421
16	O-Ring / Aro tórico	RP60002
17	Quick connect assembly/ Ensamblaje del conector rápido	RP70429
18	O-ring / Aro tórico	RP60089
19	Weights / Pesos	RP70223
20	Plastic washer / Arandela plástica	RP64023
21	Metal washer / Arandela metálica	RP64024
22	Nut / Tuerca	RP56075
23	Screw / Dispensador de jabón	RP50004
24	Pump nut / Kit de bomba	RP46018
25	Flange kit / Kit de brida	RP46019*
26	Bottle / Botella	RP46002
27	Soap dispenser / Dispensador de jabón	RP46020*

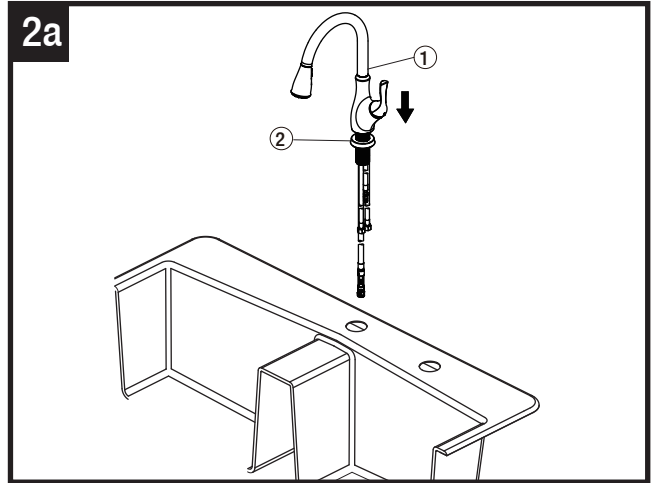
Product Dimension Drawing





1
This faucet can be installed as 4 hole installation with the escutcheon or as 2 hole installation with flange. If using flange, begin with step 2a. If using escutcheon, begin with step 3a. step 3b.

Este grifo se puede instalar con cuatro orificios con la placa ornamental o con un dos orificio con un reborde. Si utiliza un reborde, comience con el paso 3a. Si utiliza una placa ornamental, comience con el paso 3b.



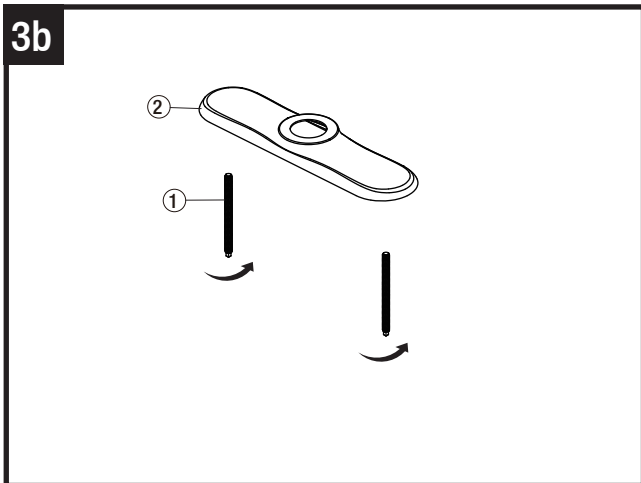
2a
Optional Flange Installation

Before installation, ensure that the flange (1) is placed on the bottom of the new faucet assembly (2).

Insert the faucet body through the hole in the sink.

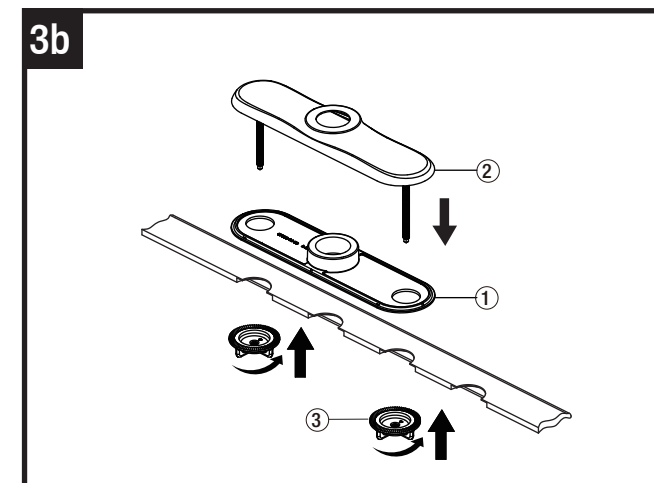
Instalación del Reborde Opcional Antes de la instalación, verifique que la brida (1) esté colocada sobre el fondo del montaje de la nueva llave (2).

Inserta el cuerpo del grifo a través del orificio del fregadero.



3b
Optional Escutcheon Installation
Screw the bolts (1) into the escutcheon (2).

Instalación de la Placa Ornamental Opcional
Atornilla los pernos (1) en la placa protectora (2).

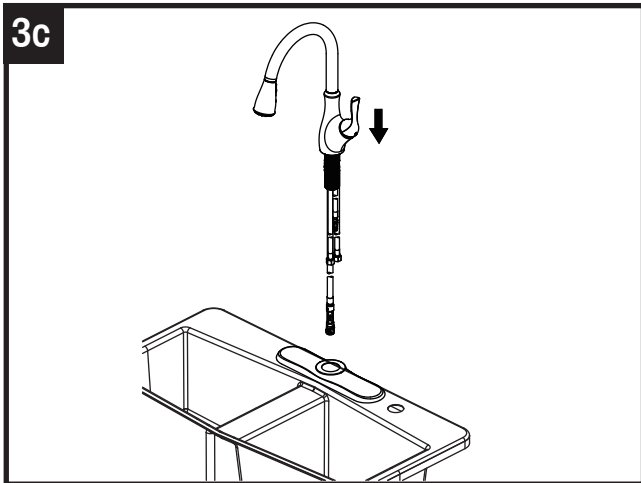


3b
Optional Escutcheon Installation

Ensure that the gasket (1) is pressed onto the escutcheon (2) before the escutcheon (2) is installed over the three holes in the sink.

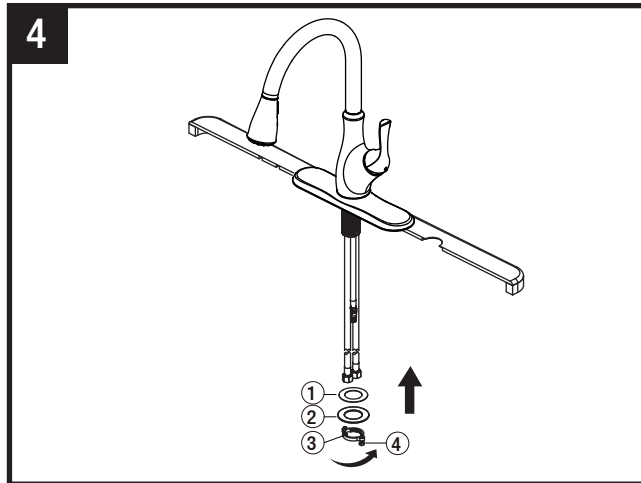
From underneath sink, hand tighten the mounting nuts (3). Do not overtighten.

Instalación de la Placa Ornamental Opcional
Asegúrate de que la junta (1) esté presionada sobre la placa protectora (2) antes de instalarla en los tres orificios del lavamanos.
Desde abajo del fregadero, ajusta manualmente la tuerca de montaje (3). No aprietes demasiado.



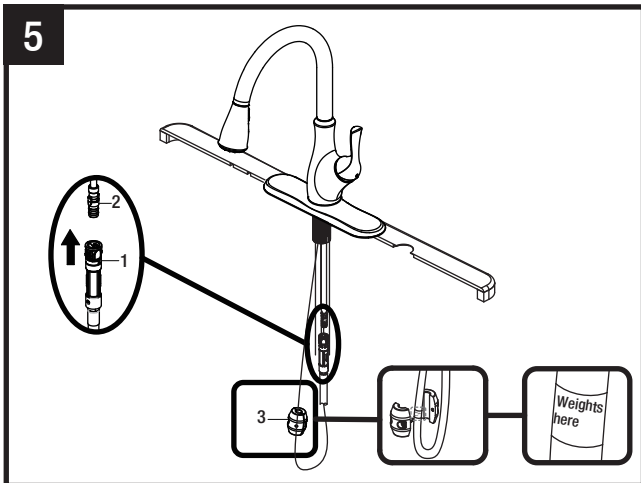
Optional Escutcheon Installation
Insert faucet body through the hole in escutcheon.

Instalación de la Placa Ornamental Opcional
Inserte el cuerpo del grifo en el orificio de la placa ornamental.



Install the plastic washer (1), and metal washer (2) onto the threaded mounting shank. Thread the nut (3) onto the mounting shank. Lock the nut (3) into position by tightening the screws (4). Do not overtighten.

Instala la arandela de plástico (1) y la arandela de metal (2) en el vástago de montaje roscado. Enrosca la tuerca (3) en el vástago de montaje. Fija la tuerca (3) en posición, apretando los tornillos (4). No aprietes demasiado.

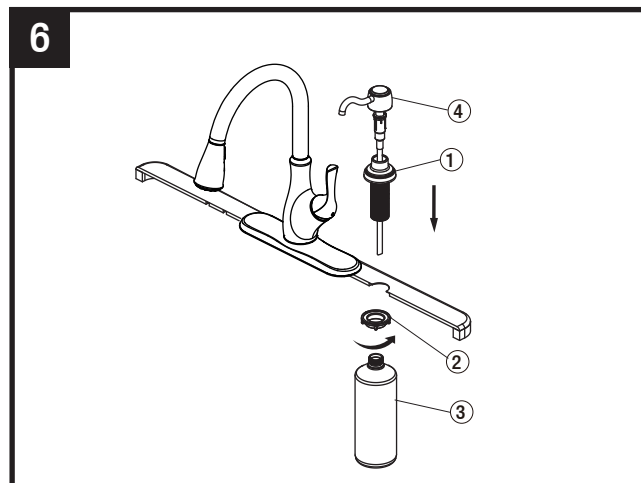


Push the quick connector (1) firmly upward and attach it to the receiving block (2). Pull down moderately to ensure the connection has been made.

After connecting the hose, install the weights (3) at the point of the hose marking "weights here".

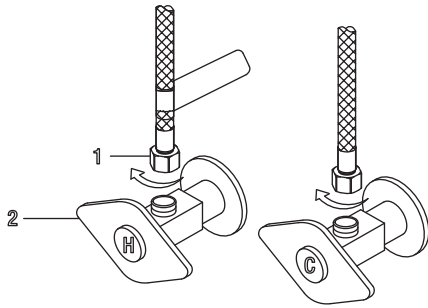
Presiona firmemente el conector rápido (1) hacia arriba y fíjalo en el bloque receptor (2). Hala hacia abajo ligeramente para asegurar que la conexión es segura.

Después de conectar la manguera, coloque el contrapeso (3) en el punto de la manguera marcado "weights here" ("instalar contrapeso aquí").



Insert the body assembly (1) through the selected hole in the sink. Secure the body assembly to the sink with the nut (2). From under the sink, screw the bottle (3) onto the body assembly (1) shank. Insert the pump (4) down into the body assembly (1).

Coloca la pieza ensamblada (1) a través del orificio seleccionado en el fregadero. Asegura el ensamblaje del cuerpo al fregadero con la tuerca (2). Desde abajo del fregadero enrosca la botella (3) en el vástago del ensamblaje (1) del cuerpo. Inserta la bomba (4) en el ensamblaje (1) del cuerpo.

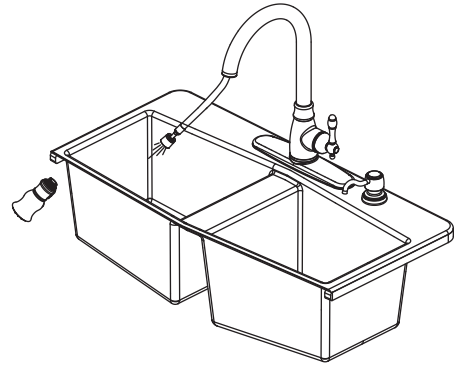
8

Thread the nut (1) on the supply line onto the outlet of the water supply valve (2) and tighten with a wrench. Do not overtighten.

NOTE: The hot side inlet tube is indicated by a label. Avoid twisting wires together or placing the wires close to each other and damaging.

Enrosca la tuerca (1) de la línea de suministro en la salida de la válvula de suministro de agua (2) y aprieta con una llave. No aprietes demasiado.

NOTA: El tubo de entrada del agua caliente se identifica con una etiqueta. Evita enroscar los cables juntos o colocarlos cerca y evita dañarlos.

9

Important: After installation is completed, turn on hot and cold water supplies. Check for leaks. Pull the hose assembly out of the spout and remove the spray head by unscrewing it from the hose counterclockwise. Be sure to hold the end of the hose down into the sink and turn the faucet on to the warm position where it mixes hot and cold water. Flush water lines for one minute. This flushes away any debris that could cause damage to internal parts. Check for leaks. Re-tighten any connections if necessary, but do not overtighten. Reinstall spray head by hand tightening it back onto the spray hose.

Importante: Luego de terminar la instalación, abre los suministros de agua caliente y fría. Revisa si hay filtraciones. Retire el ensamblaje de la manguera del conductor y retire el cabezal del rociador desenroscándolo de la manguera en el sentido contrario a las manecillas del reloj. Asegúrese de apuntar con el extremo de la manguera hacia el fregadero y gire la llave del grifo a la posición cálida, donde mezcla el agua fría y el agua caliente. Deje que corra el agua por un minuto. Esto enjuagará cualquier suciedad que podría dañar las piezas internas. Controle que no haya filtraciones. Vuelva a ajustar las conexiones que lo necesiten, pero sin ajustar demasiado. Vuelva a instalar el cabezal del rociador ajustándolo a mano en la manguera del rociador.

Cleaning Recommendations

Today, modern sanitary and kitchen tapware, showers, accessories, washstands, tubs and consist of very different materials to comply with the needs of the market with regard to design and functionality.

To avoid damage and product failures and not void Warranty please follow the below guideline.

- Only use cleaning material which is explicitly provided for this type of application.
- Never use cleaning materials, which contain hydrochloric acid, formic acid, chlorine pale lye or acetic acid, as they cause considerable damage.
- Phosphorus acidic cleaners are only conditionally applicable.
- Mixing cleaning agents is not permitted, generally.
- Never use cleaning materials or appliances with an abrasive effect, such as unsuitable cleaning powders, sponge pads or micro fiber cloths.
- The instructions of the cleaning agent manufacturers have to be followed absolutely.
- Cleaning has to be carried out with a specified cleaner dosage, contact time, object-related and adapted to the needs.
- The building up of calcifications has to be removed by cleaning regularly.
- When using spray cleaners, spray the cleaning solution onto a soft cloth or sponge, never directly onto the actual faucet, as the atomized spray could enter openings and gaps in the faucet product and cause damage.
- After cleaning rinse thoroughly with clean water to remove any cleaner residue.
- The use of steam cleaners is not permitted. The high temperatures can damage the products.

•Water hose supply lines should be inspected monthly for abrasions to the lines and any bulges that could indicate weakness to the lines. These types of issues can cause ruptures to the supply lines that would cause flooding/damage. Do your part and regularly inspect your water supply lines.

Important

Residues of toiletries such as liquid soaps, shampoos and shower gels, hair dyes, perfumes, aftershave and nail varnish can also cause damage.

Here too: Carefully rinse with water after use to remove residues. Likewise, do not store any cleaning agents or chemicals under the products, for example in a vanity unit, as the vapors may damage the products.

Components with damaged surfaces must be exchanged, otherwise there could be an injury danger. Damage caused by improper treatment will not be covered by our warranty.

Warranty conditions

General

LIMITED CONSUMER Warranty

This product has been manufactured and tested to the highest quality standards for Imperial Pacific Trading LLC. This warranty is limited to products that are purchased by a consumer in the United States or Canada after November 1, 2015, and installed in either the United States or in Canada.

WHO IS COVERED BY THE WARRANTY

This warranty extends to the original purchaser only. This warranty is non-transferable.

WHAT IS COVERED BY THE WARRANTY

The warranty covers products made for Imperial Pacific Trading LLC against defects in material or workmanship as follows: Imperial Pacific Trading LLC, will replace at no charge for parts only or, at its option, replace any product or part of the product that proves defective because of improper workmanship and/or material, under normal installation, use, service and maintenance. If Imperial Pacific Trading LLC, is unable to provide a replacement and repair is not practical or cannot be made in timely fashion, Imperial Pacific Trading, may elect to refund the purchase price in exchange for the return of the product.

LENGTH OF WARRANTY

Replacement or repaired parts of products will be covered for the term of this warranty, as stated in the following two sentences. If you are a consumer who purchased the product for use primarily for personal, family or household purposes, this warranty extends for two years. If you purchased the product for use for any other purpose, including, without limitation, a commercial or industrial application purpose, this warranty is void. Any Commercial or Industrial use will automatically void this warranty.

THIS WARRANTY DOES NOT COVER, AND Imperial Pacific Trading LLC WILL NOT PAY FOR:

- A. Conditions, malfunctions or damage not resulting from defects in material or workmanship.
- B. Conditions, malfunctions or damage resulting from (1) normal wear and tear, improper installation, improper maintenance, misuse, abuse, negligence, accident or alteration; (2) the use of abrasive or caustic cleaning agents or "no-rinse" cleaning products, or the use of the product in any manner contrary to the product instructions; or (3) conditions in the home such as excessive water pressure or any corrosion due to any and all chemical vapor/ off gassing to include chlorine vapor.
- C. Labor and other expenses for disconnection, deinstallation, or return of the product for warranty service (including but not limited to proper packaging and shipping costs), or for installation or reinstallation of the product.
- D This includes freight costs, cartridge replacement, labor, travel time, lost profit, home damages and other contingent liabilities and costs (including, without limitation, costs associated with experts, investigations, analysis, attorneys and other professionals and services) this warranty is a comprehensive and explicit limit of liability and all items outside of it are not addressable by the responsibility of Imperial Pacific trading LLC.

Imperial Pacific trading LLC makes no implication of the products comply with any or all local building or plumbing codes is the consumer's responsibility to determine the compliance.

TO OBTAIN WARRANTY PARTS OR INFORMATION

Contact

Imperial Pacific Trading LLC
4170 JVL Industrial Park Dr.
Marietta, GA 30066
Tel: 678-445-4638
Fax: 404-745-0434
Email: sales@iptsink.com

In requesting warranty service, you will need to provide:

- 1 The sales receipt or other evidence of the date and place of purchase.
2. A description of the problem.
3. Delivery of the product or the defective part, postage prepaid and carefully packed and insured. When warranty service is completed, any repaired or replacement product or part will be returned to you postage prepaid.