



GARAGE DOOR OPENER MODULE SYSTEM

OPERATOR'S MANUAL

MANUEL D'UTILISATION

MANUAL DEL OPERADOR

GARAGE DOOR OPENER

GARAGE DOOR OPENER

GARAGE DOOR OPENER

GD200

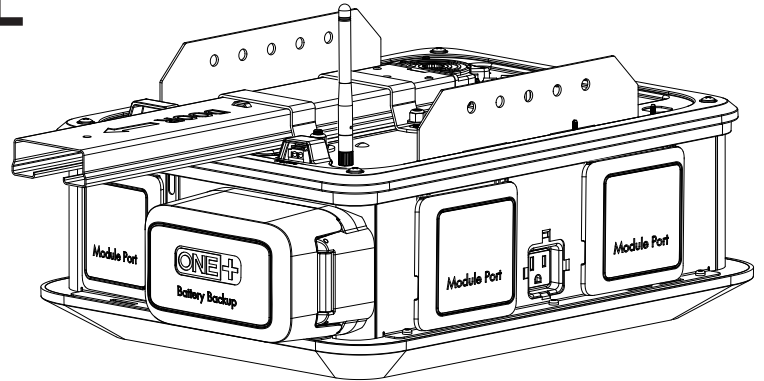


TABLE OF CONTENTS

- Important Safety Instructions2-3
- Safety Rules for Battery Operation.....3
- Safety Rules for Charger 4
- Symbols.....5-6
- Electrical..... 7
- Features.....8-11
- Loose Parts12-13
- Tools Needed 14
- Assembly14-16
- Installation17-29
- Operation.....30-39
- Maintenance..... 40
- Accessories 41
- Troubleshooting.....42
- Warranty43
- Parts Ordering / Service Back Page

TABLE DES MATIÈRES

- Instructions importantes concernant la sécurité2-3
- Règles particulières concernant l'utilisation de la pile.....3
- Règles de sécurité concernant le chargeur 4
- Symboles.....5-6
- Caractéristiques électriques..... 7
- Caractéristiques8-11
- Pièces détachées12-13
- Outils nécessaires 14
- Assemblage.....14-16
- Installation17-29
- Utilisation.....30-39
- Entretien 40
- Accessoires 41
- Recherche de pannes42
- Garantie.....43
- Commande de pièces/réparationpage arrière

ÍNDICE DE CONTENIDO

- Instrucciones de seguridad importantes2-3
- Reglas específicas para el funcionamiento a batería3
- Reglas de seguridad para el empleo del cargador 4
- Símbolos5-6
- Aspectos eléctricos..... 7
- Características8-11
- Piezas sueltas.....12-13
- Herramientas necesarias..... 14
- Armado.....14-16
- Instalación17-29
- Funcionamiento.....30-39
- Mantenimiento..... 40
- Accesorios..... 41
- Corrección de problemas.....42
- Garantía.....43
- Pedidos de piezas / Servicio..... pág. posterior

⚠ WARNING: To reduce the risk of injury, the user must read and understand the operator's manual before using this product.

⚠ AVERTISSEMENT : Pour réduire les risques de blessures, l'utilisateur doit lire et veiller à bien comprendre le manuel d'utilisation avant d'employer ce produit.

⚠ ADVERTENCIA: Para reducir el riesgo de lesiones, el usuario debe leer y comprender el manual del operador antes de usar este producto.

SAVE THIS MANUAL FOR FUTURE REFERENCE

CONSERVER CE MANUEL POUR FUTURE RÉFÉRENCE

GUARDE ESTE MANUAL PARA FUTURAS CONSULTAS

IMPORTANT SAFETY INSTRUCTIONS

WARNING:

To reduce the risk of severe injury or death:

1. READ AND FOLLOW ALL INSTRUCTIONS.
2. Never let children operate, or play with door controls. Keep the remote control away from children.
3. Always keep the moving door in sight and away from people and objects until it is completely closed. **NO ONE SHOULD CROSS THE PATH OF THE MOVING DOOR.**
4. NEVER GO UNDER A STOPPED PARTIALLY OPEN DOOR.
5. Test door opener monthly. The garage door **MUST** reverse on contact with a 1-1/2 inch object (or a 2 by 4 board laid flat) on the floor. After adjusting either the force or the limit of travel, retest the door opener. Failure to adjust the opener properly may cause severe injury or death.
6. **For products requiring an emergency release, if possible, use the emergency release only when the door is closed.** Use caution when using this release with the door open. Weak or broken springs may allow the door to fall rapidly, causing injury or death.
7. KEEP GARAGE DOOR PROPERLY BALANCED. See owner's manual. An improperly balanced door could cause severe injury or death. Have a qualified service person make repairs to cables, spring assemblies and other hardware.
8. This operator system is equipped with an unattended operation feature. The door could move unexpectedly. **NO ONE SHOULD CROSS THE PATH OF THE MOVING DOOR.**
9. SAVE THESE INSTRUCTIONS.

WARNING:

READ AND UNDERSTAND ALL INSTRUCTIONS BEFORE USING THIS GARAGE DOOR OPENER to reduce the risk of electric shock, fire and/or serious personal injury.

- For use with residential sectional or single-panel garage doors. Not for commercial use.
- **Only enable the Ryobi Garage Door Opener Module System App feature when installed with a sectional door.**
- Know your product. Read operator's manual carefully. Learn its applications and limitations, as well as the specific potential hazards related to this unit. Following this rule will reduce the risk of electric shock, fire, **death**, or serious injury.

- Always follow all safety rules recommended by the manufacturer of your garage door opener, in addition to all safety rules for the garage door opener attachment and accessories. Following this rule will reduce the risk of serious personal injury.
- Devices or features, such as the **Ryobi Garage Door Opener Module System App**, that allow you to open and close the garage without the garage door being in view should only be used with sectional garage doors.
- Do not use any attachments or accessories not recommended by the manufacturer of this product.
- A monthly test of the device's functionality is recommended to ensure reliable performance over time.
- Do not use the garage door opener if it is damaged or broken.
- Do not use garage door opener if keypads do not start and stop the motor. An opener that cannot be controlled with a keypad is dangerous and must be repaired.
- To avoid accidental use place keypads and remotes in a location that is inaccessible to children and others not qualified to operate the machine **at least five feet above the floor.**
- Do not allow children or untrained individuals to use this unit.
- Do not allow to be used as a toy. **Close attention is necessary when used by children.**
- To avoid **death or** serious personal injury, stay clear of the garage door while it is moving.
- The effectiveness of the safety sensors included in this system directly relates to the placement and installation of the sensors.
- Use extra care when mounting the unit. Keep proper footing and balance at all times.
- Mount the garage door opener to joists only. Never mount the unit to drywall or false ceiling grids. Failure to **properly install the garage door opener** could result in a falling hazard **that can cause death or serious personal injury.**
- This product is not equipped for permanent wiring. Contact licensed electrician to install a suitable receptacle if one is not available.
- Plug the garage door opener directly into a power source. Do not attach an extension cord or cord adaptor to this product's power cord.
- Do not unplug by pulling on cord. To unplug, grasp the plug, not the cord.
- Do not handle battery pack, power supply cord, wires, wire terminals, or accessories with wet hands.
- Disconnect battery pack and unplug the garage door opener before making any adjustments, changing accessories, or performing maintenance. Such preventive safety measures reduce the risk of electrocution or electric shock.

IMPORTANT SAFETY INSTRUCTIONS

- Inspect power supply cord and wires periodically and, if damaged, have repaired by the manufacturer or by an authorized service center to avoid risk. Keep power supply cord and wires away from pinch points and moving parts. Following this rule will reduce the risk of electric shock or fire.
- Check damaged parts. Before further use of the garage door opener a belt, pulley, or other part that is damaged should be carefully checked to determine that it will operate properly and perform its intended function. Check for alignment of moving parts, binding of moving parts, breakage of parts, and any other conditions that may affect its operation. A belt, pulley, or other part that is damaged should be properly repaired or replaced by an authorized service center. Following this rule will reduce the risk of shock, fire, or serious injury.
- When servicing a product, use only identical replacement parts. Follow instructions in the *Maintenance* section of this manual. Use of unauthorized parts or failure to follow Maintenance instructions may create a risk of injury.
- Never attempt to loosen, adjust, or remove the door springs (torsion spring and/or extension spring), door spring components, or any surfaces to which these items are secured. These items are under extreme tension and any such alteration could result in **death**, serious personal injury, **and/or property damage**.
- Servicing of garage doors, door springs (torsion and/or extension springs), and door spring components should be performed only by a qualified service technician.

SPECIFIC RULES FOR BATTERY OPERATION

- When battery pack is not in use, keep it away from other metal objects like: paper clips, coins, keys, nails, screws, or other small metal objects that can make a connection from one terminal to another. Shorting the battery terminals together may cause sparks, burns, or a fire.
- Use battery operated products only with specifically designated battery packs. Use of any other battery packs may create a risk of fire.
- Do not dispose of the batteries in a fire. The cell may explode. Check with local codes for possible special disposal instructions.
- Do not open or mutilate the batteries. Released electrolyte is corrosive and may cause damage to the eyes or skin. It may be toxic if swallowed.
- Do not place battery tools or their batteries near fire or heat. This will reduce the risk of explosion and possibly injury.
- Batteries can explode in the presence of a source of ignition, such as a pilot light. To reduce the risk of serious personal injury, never use any cordless product in the presence of open flame. An exploded battery can propel debris and chemicals. If exposed, flush with water immediately.
- Do not crush, drop or damage battery pack. Do not use a battery pack or charger that has been dropped or received a sharp blow. A damaged battery is subject to explosion. Properly dispose of a dropped or damaged battery immediately.
- Exercise care in handling batteries in order not to short the battery with conducting materials such as rings, bracelets, and keys. The battery or conductor may overheat and cause burns.
- Under extreme usage or temperature conditions, battery leakage may occur. If liquid comes in contact with your skin, wash immediately with soap and water. If liquid gets into your eyes, flush them with clean water for at least 10 minutes, then seek immediate medical attention. Following this rule will reduce the risk of serious personal injury.
- Battery powered garage door openers do not have to be plugged into an electrical outlet; therefore, they are always in operating condition. Be aware of possible hazards when making adjustments or changing accessories. Following this rule will reduce the risk of electric shock, fire, or serious personal injury.
- For best results, your garage door opener's battery should be charged in a location where the temperature is more than 50°F but less than 100°F. Do not store **outside** or in vehicles.
- Save these instructions. Refer to them frequently and use them to instruct others who may use this product. If you loan someone this product, loan them these instructions also.

SAFETY RULES FOR CHARGER

- Before charging battery pack, read all instructions and cautionary markings in this manual, on the battery pack, and product using battery to prevent misuse of the products and possible injury or damage.

WARNING:


Charge only nickel-cadmium or lithium-ion rechargeable batteries. Other types of batteries may burst, causing personal injury or damage. For compatible battery packs see tool/appliance/battery pack/charger correlation supplement 987000-432.

- Do not expose garage door opener to wet or damp conditions. Water entering product will increase the risk of electric shock.
- Do not abuse cord or garage door opener. Do not pull the garage door opener's cord rather than the plug when disconnecting from receptacle. Damage to the cord or garage door opener could occur and create an electric shock hazard. If cord or garage door opener is damaged, have the garage door opener repaired by an authorized installer.
- Do not let gasoline, oils, petroleum-based products, etc. come in contact with plastic parts. They contain chemicals that can damage, weaken, or destroy plastic.
- Do not operate garage door opener with a damaged cord or plug, which could cause shorting and electric shock. If damaged, have the garage door opener replaced by an authorized installer.
- Do not operate garage door opener if it has received a sharp blow, been dropped, or otherwise damaged in any way. Take it to an authorized serviceman for electrical check to determine if the garage door opener is in good working order.
- Do not disassemble garage door opener. Take it to an authorized serviceman when service or repair is required. Incorrect reassembly may result in a risk of electric shock or fire.
- Risk of electric shock. Do not touch uninsulated portion of output connector or uninsulated battery terminal.

IMPORTANT SAFETY INSTRUCTIONS




1. **SAVE THESE INSTRUCTIONS - DANGER: TO REDUCE RISK OF FIRE OR ELECTRIC SHOCK CAREFULLY FOLLOW THESE INSTRUCTIONS.**

This manual contains important safety and operating instructions for garage door opener GD200.







2. **Before using garage door opener**, read all instructions and cautionary markings on garage door opener, battery, and product using battery.
3.  **CAUTION:** To reduce the risk of injury, charge only lithium-ion or nickel-cadmium rechargeable batteries. Other types of batteries may burst, causing personal injury or damage.

SYMBOLS

The following signal words and meanings are intended to explain the levels of risk associated with this product.

SYMBOL	SIGNAL	MEANING
	DANGER:	Indicates an imminently hazardous situation, which, if not avoided, will result in death or serious injury.
	WARNING:	Indicates a potentially hazardous situation, which, if not avoided, could result in death or serious injury.
	CAUTION:	Indicates a potentially hazardous situation, which, if not avoided, may result in minor or moderate injury.
	NOTICE:	(Without Safety Alert Symbol) Indicates important information not related to an injury hazard, such as a situation that may result in property damage.

Some of the following symbols may be used on this product. Please study them and learn their meaning. Proper interpretation of these symbols will allow you to operate the product better and safer.

SYMBOL	NAME	DESIGNATION/EXPLANATION
	Safety Alert	Indicates a potential personal injury hazard.
	Read Operator's Manual	To reduce the risk of injury, user must read and understand operator's manual before using this product.
	Eye Protection	Always wear eye protection with side shields marked to comply with ANSI Z87.1 when assembling and performing maintenance on this product.
	Electrocution/ Electric Shock	Unplug the unit before attaching wires to reduce the risk of electrocution or electric shock.
	Moving Door	To avoid death or serious personal injury, stay clear of the garage door while it is moving and never attempt to run or walk under moving garage door.
	Recycle Symbols	This product uses nickel-cadmium (Ni-Cd) and lithium-ion (Li-ion) batteries. Local, state, or federal laws may prohibit disposal of batteries in ordinary trash. Consult your local waste authority for information regarding available recycling and/or disposal options.

SYMBOLS

Some of the following symbols may be used on this product. Please study them and learn their meaning. Proper interpretation of these symbols will allow you to operate the product better and safer.

SYMBOL	NAME	DESIGNATION/EXPLANATION
—	Direct Current	Type or a characteristic of current
~	Alternating Current	Type of current
n_0	No Load Speed	Rotational speed, at no load
.../min	Per Minute	Revolutions, strokes, surface speed, orbits etc., per minute
V	Volts	Voltage
Hz	Hertz	Frequency (cycles per second)
A	Amperes	Current
W	Watt	Power

CALIFORNIA PROPOSITION 65



WARNING:

This product may contain chemicals, including lead, known to the State of California to cause cancer, birth defects or other reproductive harm. ***Wash hands after handling.***

ELECTRICAL

ELECTRICAL CONNECTION

This product has a precision-built electric motor. It should be connected to a **power supply that is 120 volts, AC only (normal household current), 60 Hz**. Except with battery pack installed, a substantial voltage drop will cause a loss of power and the motor will overheat. If your product does not operate when plugged into an outlet, double-check the power supply.

GROUNDING INSTRUCTIONS

See Figure 1.

This product must be grounded. In the event of a malfunction or breakdown, grounding provides a path of least resistance for electric current to reduce the risk of electric shock. This product is equipped with an electric cord having an equipment-grounding conductor and a grounding plug. The plug must be plugged into a matching outlet that is properly installed and grounded in accordance with all local codes and ordinances.

Do not modify the plug provided. If it will not fit the outlet, have the proper outlet installed by a qualified electrician.

WARNING:

Improper connection of the grounding plug can result in a risk of electric shock. When repair or replacement of the cord is required, do not connect the grounding wire to either flat blade terminal. The wire with insulation having an outer surface that is green with or without yellow stripes is the grounding wire.

Check with a qualified electrician or service personnel if the grounding instructions are not completely understood, or if in doubt as to whether the product is properly grounded.

Repair or replace a damaged or worn cord immediately.

This product is for use on a nominal 120 V circuit and has a grounding plug similar to the plug illustrated in figure 1. Only connect the product to an outlet having the same configuration as the plug. Do not use an adapter with this product.

GROUND FAULT CIRCUIT INTERRUPTER

See Figure 2.

The 10 amp, 120 volt receptacles on the garage door opener are protected by a Ground Fault Circuit Interrupter (GFCI), which guards against the hazards of ground fault currents.

An example of ground fault current is the current that would flow through a person who is using an appliance with faulty insulation and, at the same time, is in contact with an electrical ground such as a plumbing fixture, wet floor, or earth.

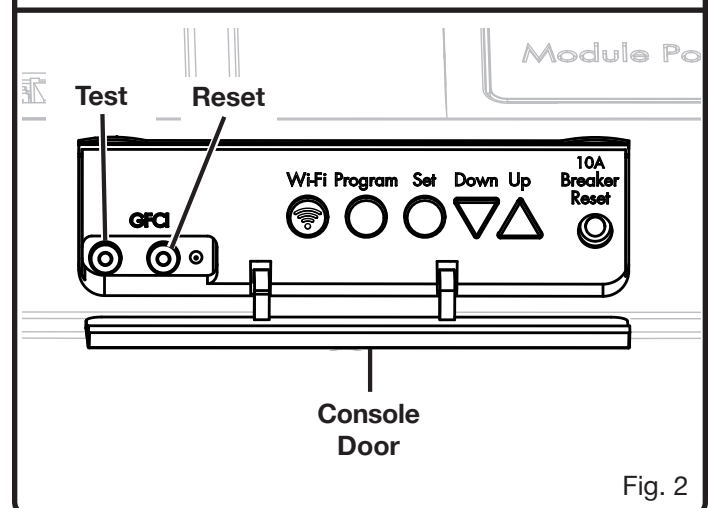
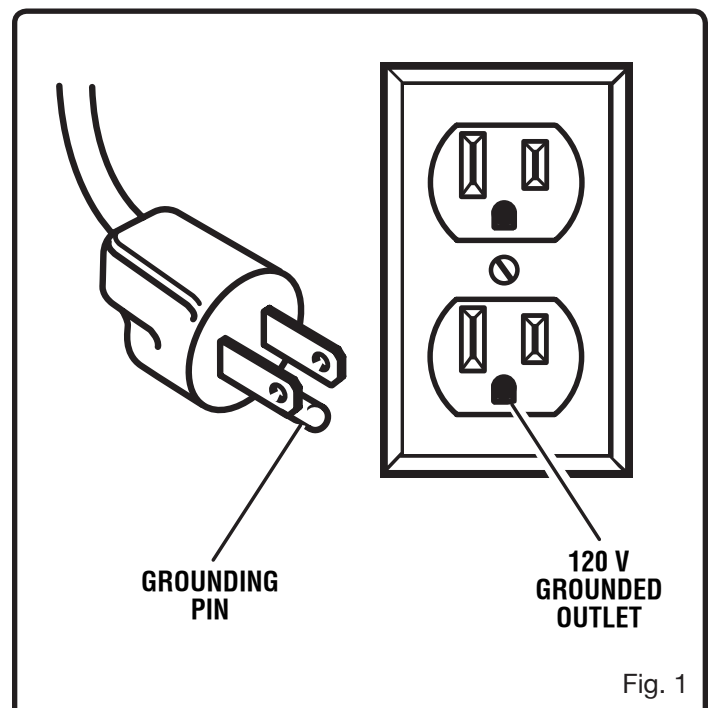
GFCI receptacles do not protect against short circuits, overloads, or shocks.

The GFCI receptacles can be tested with the TEST and RESET buttons.

To test:

- Open the console door.
- Depress the TEST button. This should cause the Reset button to pop out.
- To restore power, depress the RESET button.

Perform this test monthly to ensure proper operation of the GFCI.

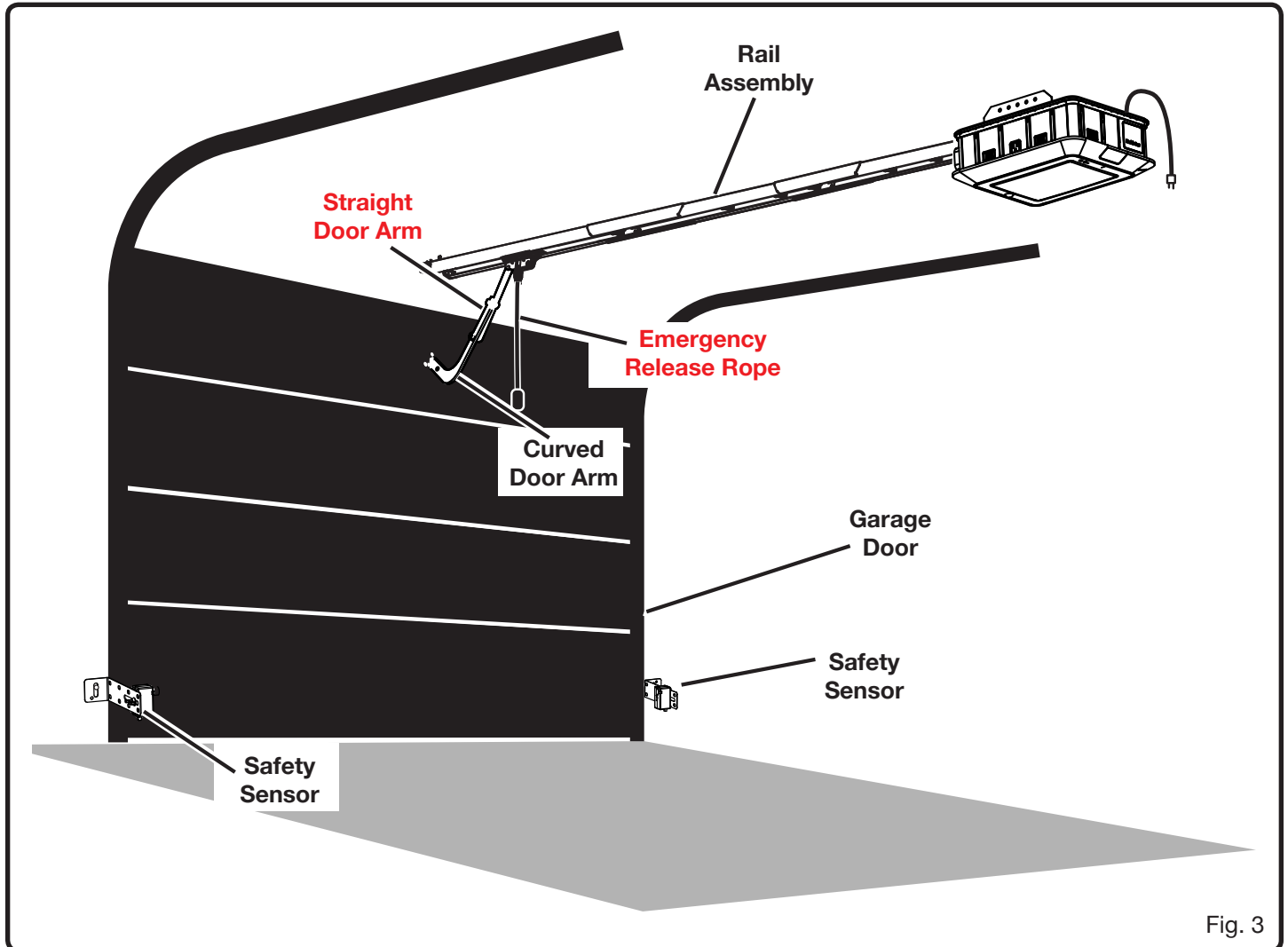


FEATURES

PRODUCT SPECIFICATIONS

Module Capacity up to 7
Max Garage Door Height 7 ft.
Bulb Type LED (800 lumens)
Drive Type Belt Drive
Input 120V AC, 60 Hz. or 18 V DC
Max Garage Door Weight..... 300 lbs.

Motor 2 HP
Opening Speed (Max)..... 8.5 in. per second
Rail Length 10 ft.
Remote Detection Range 300 ft.
Motion Sensor Detection Range 18 ft.
Vehicle and Home HomeLink compatible



FEATURES

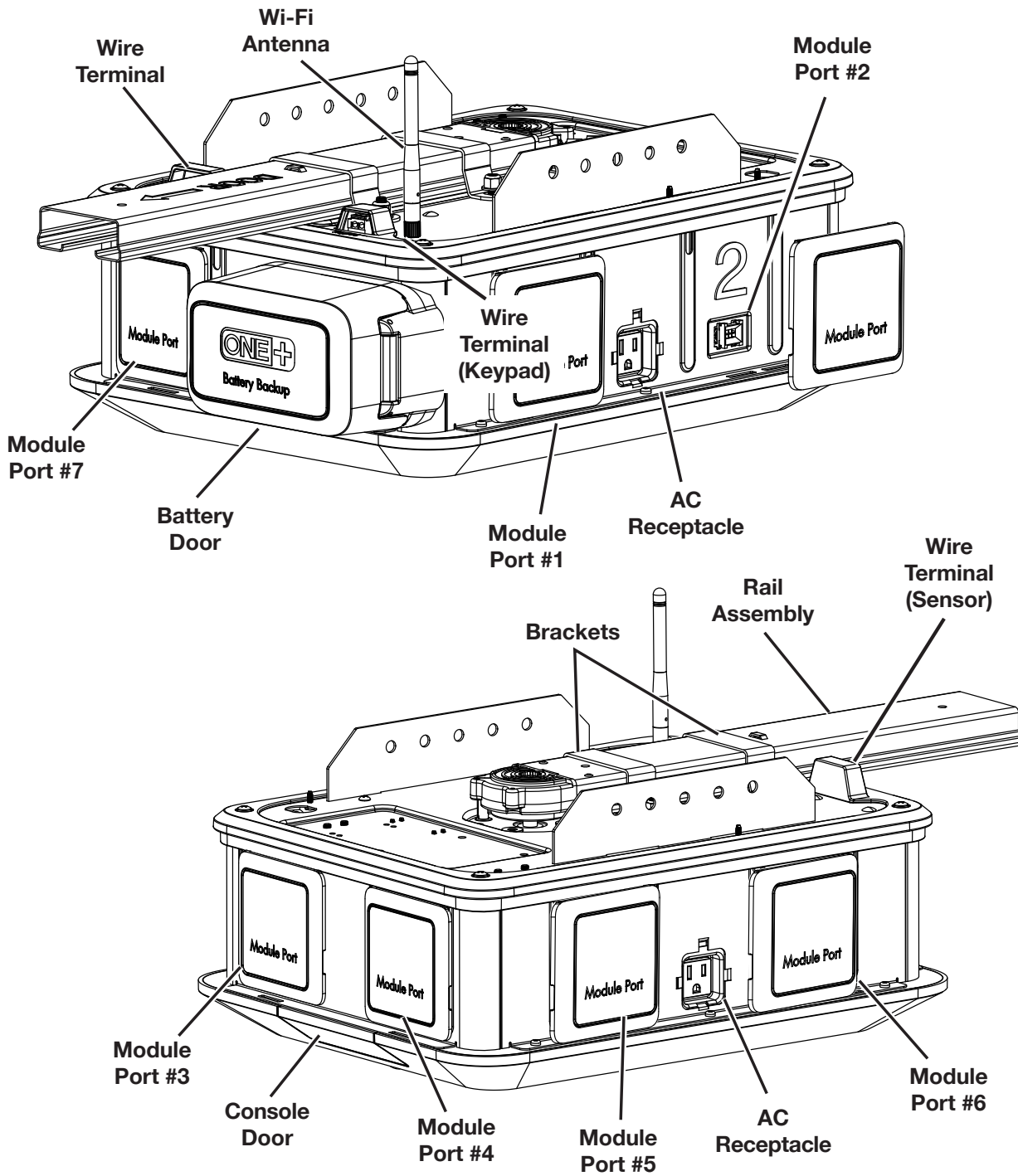


Fig. 4

FEATURES

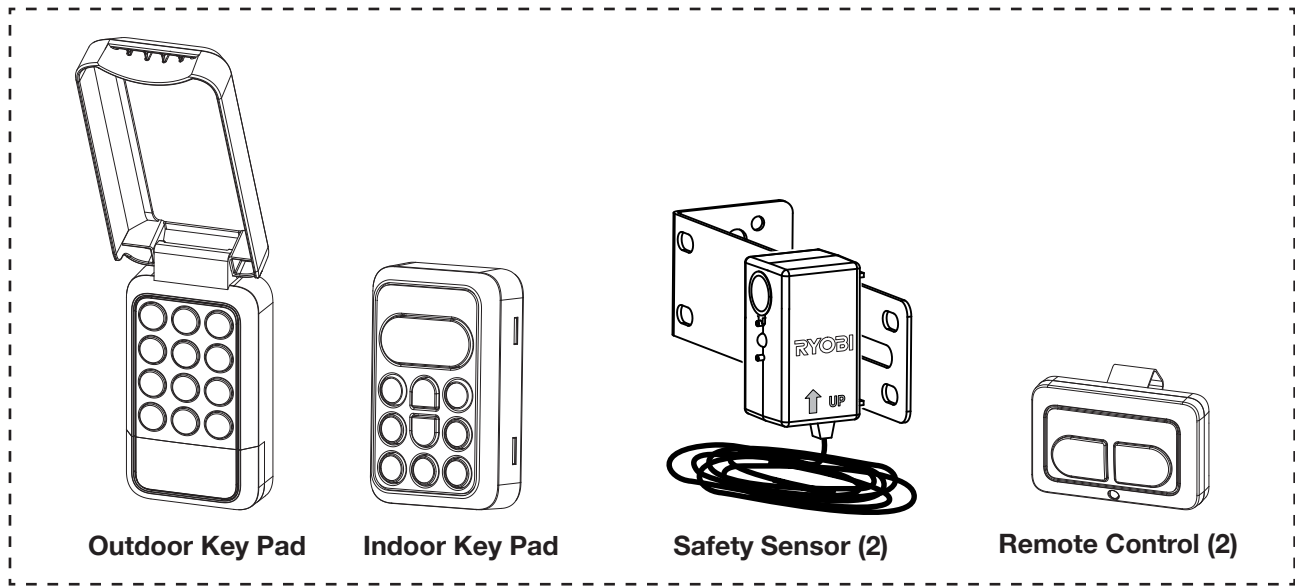
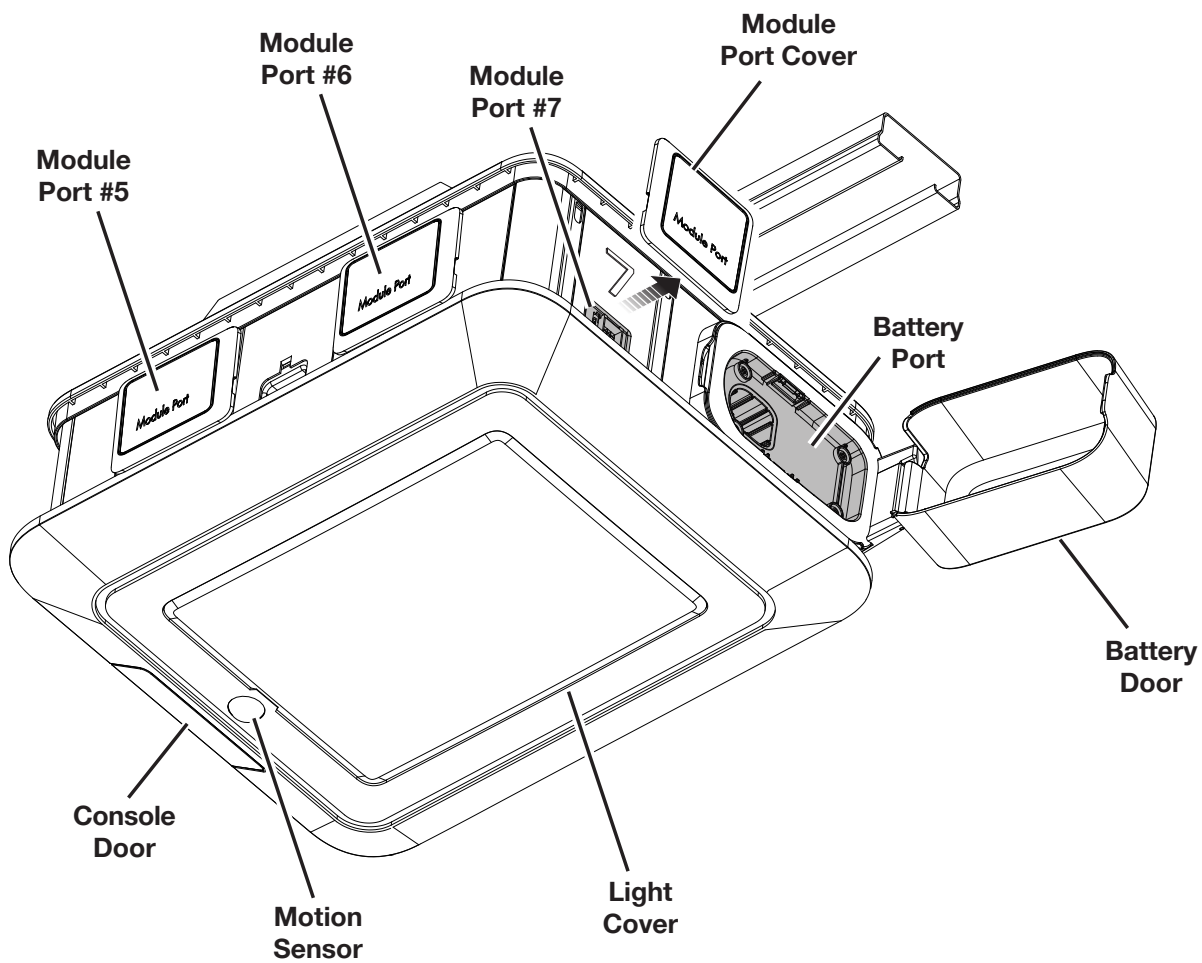


Fig. 5

FEATURES

KNOW YOUR GARAGE DOOR OPENER

See Figures 3 - 5.

The safe use of this product requires an understanding of the information on the product and in this operator's manual as well as a knowledge of the project you are attempting. Before use of this product, familiarize yourself with all operating features and safety rules.

AC RECEPTACLE

This product has two 120 Volt AC, 10 Amp (combined) GFCI protected receptacles. These can be used for operating AC garage door modules as well as appropriate appliances, electrical lighting, and tools.

MODULE PORTS

Your garage door opener has seven ports for operating DC garage door modules.

AUTOMATIC REVERSAL SYSTEM

When a closing garage door contacts an object that is 1-1/2 in. above the garage floor, the automatic reversal system will stop and raise the door to the fully open position.

BATTERY BACKUP

When not connected to an AC power source, the garage door opener and LED lights can be operated with Ryobi 18 Volt One+ lithium-ion and nickel-cadmium batteries.

BATTERY CHARGER

The built-in battery charger accepts Ryobi 18 Volt One+ lithium-ion and nickel-cadmium batteries.

BELT DRIVE SYSTEM

This product is equipped with a belt drive system that is quieter than traditional chain drive models.

CIRCUIT BREAKER

The circuit breaker is provided to protect the AC modules against electrical overload. The circuit breaker may be reset by pressing the circuit breaker reset button.

EMERGENCY RELEASE ROPE

In the case of an emergency or entrapment, pulling the emergency release rope will allow you to manually raise a closed garage door.

INDOOR KEYPAD

The indoor keypad is installed on the interior of the garage and can be used to open and close the garage door, activate the DC module ports, turn the LED lights on and off, and lock the system from being used with remote controls or smart phone apps.

LED LIGHTS

LED lights are located beneath the light cover and illuminate whenever the motor is running, the **LIGHT** button on the indoor keypad is pressed, or motion is detected. To turn the LED lights off, hold the **LIGHT** button down.

NOTE: By default, the LED lights will illuminate for four minutes after the **LIGHT** button is pressed. The time can be adjusted in one minute increments, between three and ten minutes, using the [Ryobi Garage Door Opener Module System App](#).

MOTION SENSING

Passive infrared motion sensing turns the LED lights on when movement is detected in the garage and when something passes by the motion sensor.

RAIL SYSTEM

The ergonomic rail design makes assembly and installation quick and easy.

REMOTE CONTROLS

Convenient remote controls allow you to activate the garage door opener from a distance of up to 300 ft. The remotes are equipped with a visor clip, so you can store them on your car's visor.

SMART PHONE COMPATIBILITY

The garage door opener can be operated remotely with a smart phone using the [Ryobi Garage Door Opener Module System App](#). For more information, visit ryobitools.com or download the app from the [App Store](#) or [Google Play Store](#).

SAFETY SENSORS

Your garage door opener comes with two sensors that cast an invisible light beam across the opening of your garage. If an object crosses the path of the beam while the garage door is closing, the door will automatically stop and reverse to the fully open position.

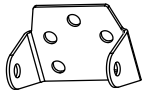
WIRELESS OUTDOOR KEYPAD

The wireless outdoor keypad can be used to open and close the garage door. For security, the outdoor keypad allows you to set up a custom four digit personal identification code.

HOMELINK COMPATIBILITY

Features on your garage door opener can be controlled by cars and homes equipped with HomeLink control systems.

LOOSE PARTS



A



B



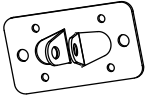
C



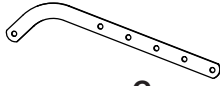
D



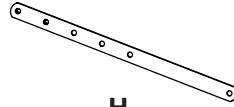
E



F



G



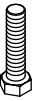
H



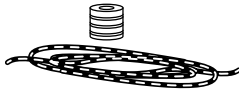
I



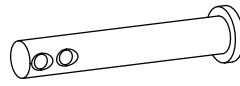
J



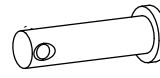
K



L



M



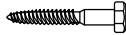
N



O



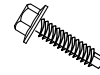
P



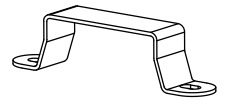
Q



R



S



T



U



V



W



X



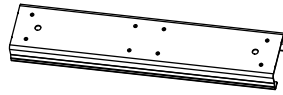
Y



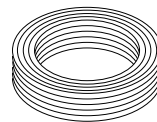
Z



AA



BB



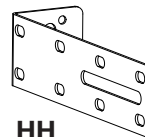
CC



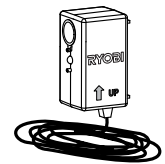
DD



EE



HH



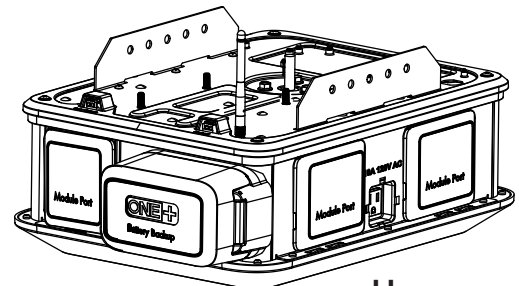
II



FF



GG



JJ

Fig. 6

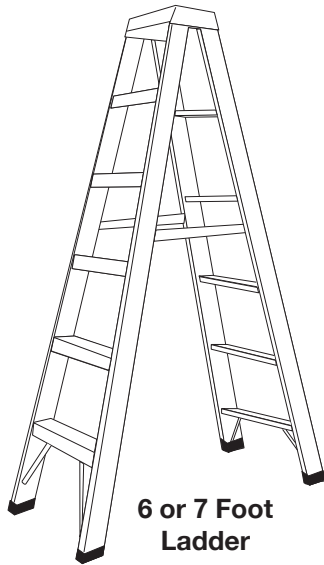
LOOSE PARTS

The following items are included with your garage door opener:

A.	Header Bracket.....	1
B.	Wing Nut (1/4 in. - 20)	2
C.	Mounting Strap.....	2
D.	Drywall Anchor.....	2
E.	Screw (6-32 x 1 in.).....	2
F.	Door Bracket.....	1
G.	Curved Door Arm.....	1
H.	Straight Door Arm.....	1
I.	Screw (6-32 x 2 in.).....	4
J.	Insulated Staple.....	12
K.	Bolt (1/4-14 x 5/8 in.).....	2
L.	Emergency Release Rope	1
M.	Clevis Pin (5/16 - 9 x 1-1/2 in.)	1
N.	Clevis Pin (5/16 - 9 x 1 in.).....	1
O.	Clevis Pin (5/16 - 9 x 1-1/4 in.)	1
P.	Bolt (1/4-20 x 1-3/4 in.).....	1
Q.	Lag Screw (5/16 - 9 x 1-5/8 in.).....	4
R.	Hex Bolt (5/16-18 x 7/8 in.).....	6
S.	Hex Screw (#8 x 3/8 in.).....	3
T.	Bracket	2
U.	Hex Nut (3/8 in.).....	1
V.	Lock Nut (1/4-20 in.).....	1
W.	Hex Nut (5/16-18)	6
X.	Lock Washer (3/8 in.).....	1
Y.	Lock Washer (5/16-18)	6
Z.	Carriage Bolt.....	1
AA.	Hitch Pin	3
BB.	Sleeve	2
CC.	Low Voltage Wire.....	1
DD.	Entrapment Warning Label (Eng, Fr., and Sp)	3
EE.	End Rail.....	1
FF.	Middle Rail.....	1
GG.	Motor End Rail.....	1
HH.	Sensor Bracket	1
II.	Sensor.....	2
JJ.	Garage Door Operator.....	1

TOOLS NEEDED

The following tools (not included or drawn to scale) are needed for assembly and adjustments:



Impact Driver



Drill



Flat Head Screwdriver



Phillips Head Screwdriver



Socket Wrench



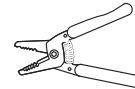
Tape Measure



Level



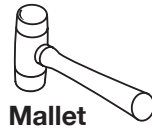
Adjustable Wrench



Wire Stripper



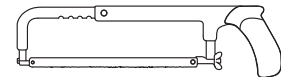
Pliers



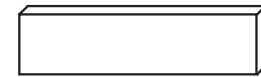
Mallet



Pencil



Hacksaw



2 x 4 board

Fig. 7

ASSEMBLY

UNPACKING

This product requires assembly.

- Carefully remove the product and any accessories from the box. Make sure that all items listed in the loose parts list are included.

NOTE: This tool is heavy. To avoid back injury, lift with your legs, not your back, and get help when needed.

WARNING:

Do not use this product if any parts on the Loose Parts List are already assembled to your product when you unpack it. Parts on this list are not assembled to the product by the manufacturer and require customer installation. Use of a product that may have been improperly assembled could result in serious personal injury.

- Inspect the tool carefully to make sure no breakage or damage occurred during shipping.
- Do not discard the packing material until you have carefully inspected and satisfactorily operated the tool.
- If any parts are damaged or missing, please call 1-800-525-2579 for assistance.

WARNING:

If any parts are damaged or missing do not operate this tool until the parts are replaced. Use of this product with damaged or missing parts could result in serious personal injury.

WARNING:

Do not attempt to modify this tool or create accessories not recommended for use with this tool. Any such alteration or modification is misuse and could result in a hazardous condition leading to possible serious personal injury.

WARNING:

Do not connect to power supply until assembly is complete. Failure to comply could result in accidental starting and possible serious personal injury.

WARNING:

Always wear eye protection with side shields marked to comply with ANSI Z87.1 when assembling and performing maintenance on this product. **Failure to do so could result in objects being thrown into your eyes resulting in possible serious injury.**

ASSEMBLY

NOTE: Many of the illustrations in this manual show only portions of the garage door opener. This is intentional so that we can clearly show points being made in the illustration. Never operate the garage door opener without all parts securely in place and in good operating condition.

ASSEMBLING THE RAILS

See Figures 8 - 10.

- Locate the following items:
 - End Rail
 - Intermediate Rail
 - Front Rail
 - Sleeves (2)
 - Insert the edge of the end rail into a sleeve. Slide together until rail clicks in place. If you cannot get the rail to fit by hand, try gently tapping it with a rubber mallet until it is snug.
- NOTE:** Be careful not to pinch the belt between the rail and the sleeve during assembly.
- Repeat this process to attach the intermediate and front rails.
 - Once assembled correctly, the rails should not separate easily when pulled.

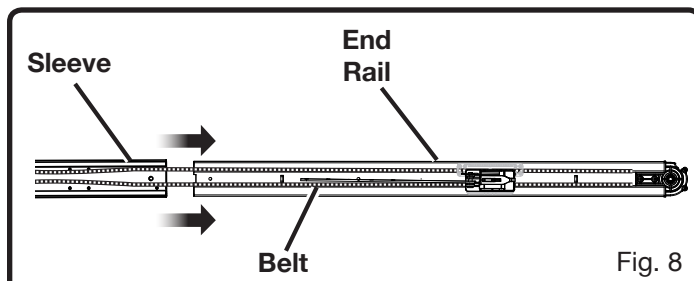


Fig. 8

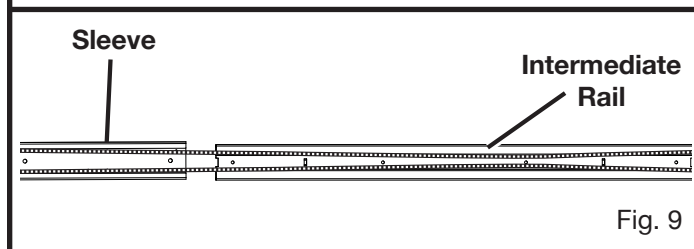


Fig. 9

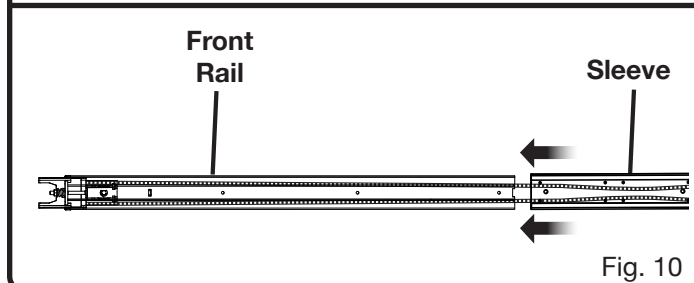


Fig. 10

ADJUSTING THE BELT TENSION

See Figures 11 - 14.

- Pull the release lever down and move carriage (trolley) away from the bullet to make sure they are not engaged.
- Locate the tension nut on the end of the front rail.

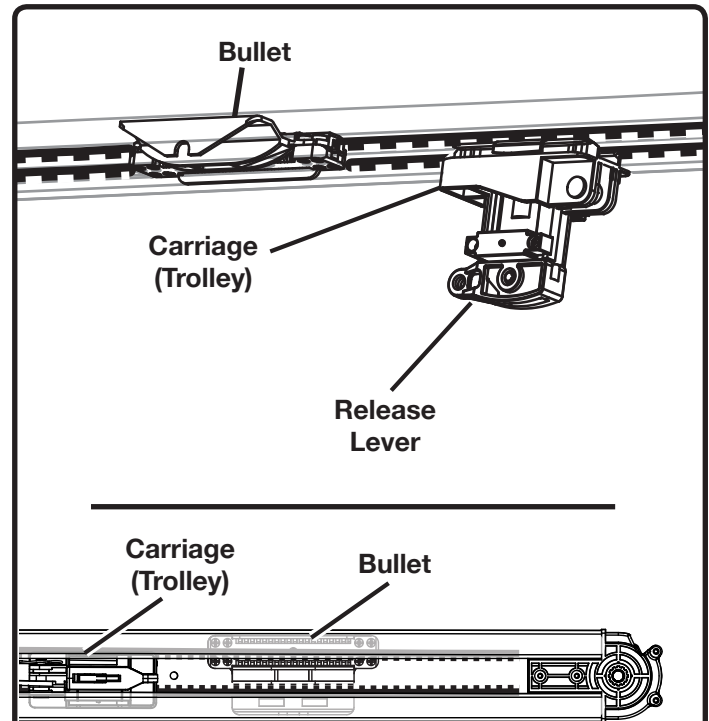


Fig. 11

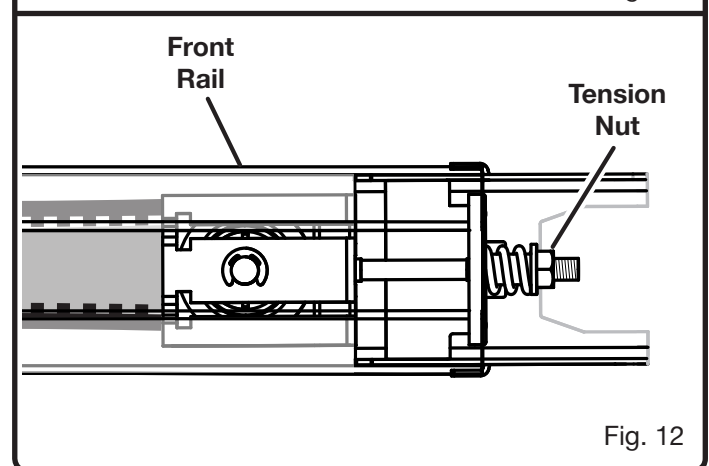


Fig. 12

ASSEMBLY

- Turn the nut clockwise to tighten the belt and counter-clockwise to loosen it. Adjust the nut until there is approximately 3/8 to 1/2 in. of exposed thread showing above it.
- When properly tensioned, there should be about a 1/8 in. gap between the belt and the bottom of the rail near the center of the rail assembly.

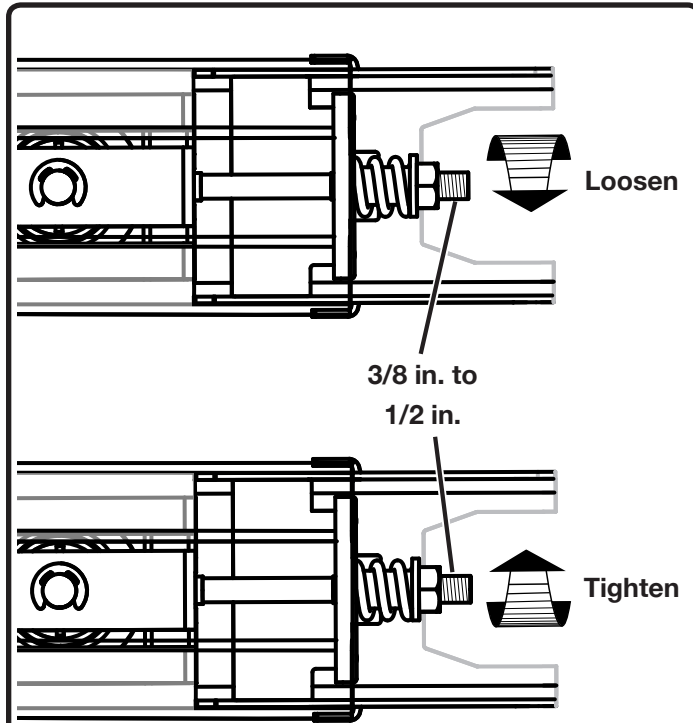


Fig. 13

CENTER OF RAIL ASSEMBLY

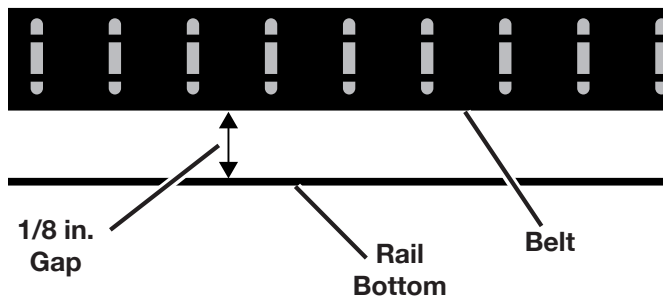
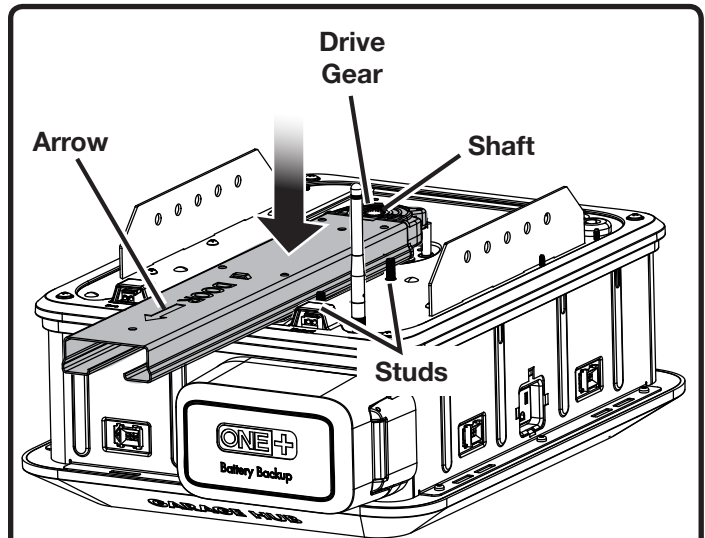


Fig. 14

ATTACHING RAIL ASSEMBLY TO GARAGE DOOR OPERATOR

See Figures 15 - 16.

- Locate the following items:
Garage Door Operator
Bracket (2)
Nut (4)
Rail Assembly
- Place the garage door operator on a towel or the packaging material with the light cover facing down.
- Hold the rail assembly above the garage door operator with arrow pointing toward the front of the operator.
- Place the end rail onto the motor shaft with the channel (open end) facing down.
- Place the brackets on top of the studs, and over the end rail. Secure in place using nuts. **Tighten securely.**



Front of Garage Door Operator

Fig. 15

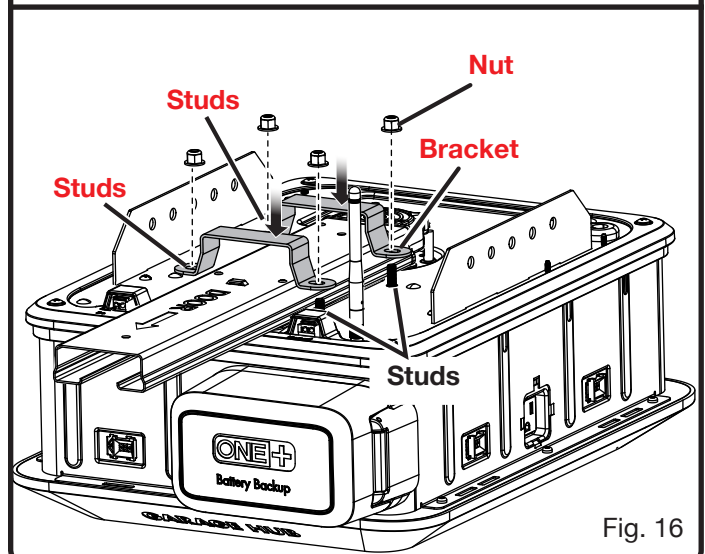


Fig. 16

INSTALLATION

IMPORTANT INSTALLATION INSTRUCTIONS

WARNING:

To reduce the risk of severe injury or death:

1. READ AND FOLLOW ALL INSTALLATION INSTRUCTIONS.
2. Install only on a properly balanced garage door. An improperly balanced door could cause severe injury. Have a qualified service person make repairs to cables, spring assemblies and other hardware before installing opener.
3. Remove all ropes and remove or make inoperative all locks connected to the garage door before installing opener.
4. Where possible, install door opener 7 feet or more above the floor. **For products requiring an emergency release, mount the emergency release 6 feet above the floor.**
5. Do not connect opener to source of power until instructed to do so.
6. Locate control button: (a) within sight of door, (b) at a minimum height of 5 feet so small children cannot reach it, and (c) away from all moving parts of the door.
7. Install Entrapment Warning Label next to the control button in a prominent location. Install the Emergency Release Marking. Attach the marking on or next to the emergency release.
8. After installing opener, the door must reverse when it contacts a 1-1/2 inch high object (or a 2 by 4 board laid flat) on the floor.
9. **WARNING:** To reduce the risk of injury to persons - Only enable the unattended operation feature when installed on a sectional door.

WARNING:

To reduce the risk of injury to persons – Only enable the Ryobi Garage Door Opener Module System App feature when installed with a sectional door.

WARNING:

Do not connect to power supply until installation is complete. Failure to comply could result in accidental starting and possible serious personal injury.

WARNING:

To avoid serious personal injury, make sure the garage door opener is mounted to hoists. Never mount the unit to drywall or false ceiling grids.

WARNING:

Always wear eye protection with side shields marked to comply with ANSI Z87.1 when installing this product. Failure to do so could result in objects being thrown into your eyes resulting in possible serious injury.

NOTE: Many of the illustrations in this manual show only portions of the garage door opener. This is intentional so that we can clearly show points being made in the illustration. **Never operate the garage door opener without all parts securely in place and in good operating condition.**

WARNING:

If you feel uncomfortable performing any of the installation steps described in this manual, have the installation performed by an authorized installer. Improper installation of the garage door opener can result in death, serious personal injury, or property damage.

CHECKING THE CONDITION OF THE DOOR

See Figure 17.

WARNING:

If the garage door does not move smoothly, binds, or is out of balance, have it repaired or replaced by a qualified service person. An unbalanced or damaged garage door may not reverse on command, **which can result in death or serious personal injury.**

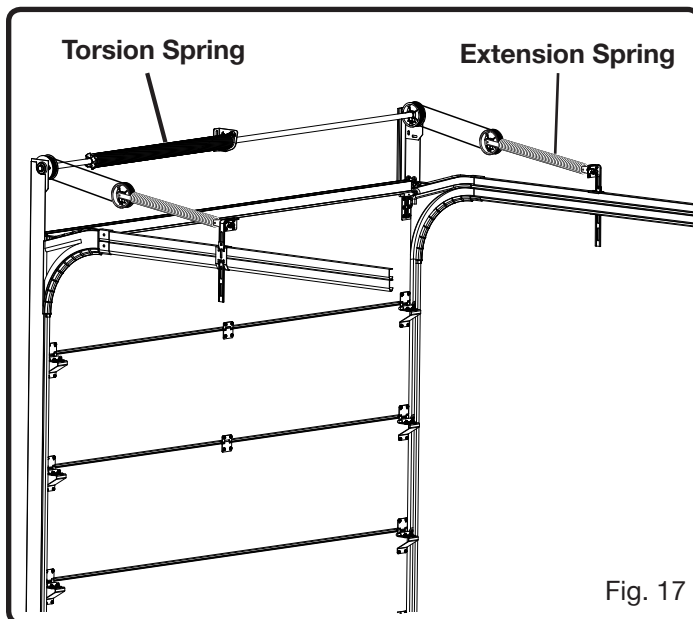
INSTALLATION

- Remove any ropes attached to the garage door.
- Disable any and all door locks.
- Raise and lower the door.
- If the door does not move smoothly, binds, or is out of balance, this could indicate a problem with the door, door springs (torsion spring and/or extension spring), or door spring components. Have the garage door or door springs repaired by a qualified service person before installing garage door opener.

! WARNING:

Never attempt to loosen, adjust, or remove the door springs (torsion spring and/or extension spring), door spring components, or any surfaces to which these items are secured. **These items are under extreme tension and any such alteration could result in death, serious personal injury, or property damage.**

- If the door moves smoothly and is balanced, you may begin installing the garage door opener.



INSTALLING THE HEADER BRACKET

See Figures 18 - 20.

! WARNING:

To avoid serious personal injury, attach header bracket to sound structural support on header wall. NEVER install the header bracket into weak surfaces such as drywall **that can cause the header bracket to fall.**

! WARNING:

ALWAYS use lag screws and concrete anchors (not included) when installing the header bracket or 2x4 into concrete, brick, or other masonry. **Failure to properly install the header bracket and associated hardware can result in a falling object hazard and result in death or serious personal injury.**

! WARNING:

Only install screws, anchors, and other hardware into sound structural supports in areas where no electrical wires, utility cables, pipes, or other obstructions are located. Contact your local utility company or a qualified electrician if you are unsure. Ensure all hardware components are securely installed to prevent falling object. Failure to follow these instructions can result in death, electrical shock, or other serious personal injury.

Always install the header bracket onto a sturdy surface. The force required to raise and lower the garage door could pull the bracket and mounting hardware out of weak surfaces such as drywall. For some installations, it may be necessary to create a suitable location for the bracket by installing a 2 x 4 board. The 2 x 4 board can be installed between two studs or into masonry using lag screws and concrete anchors (not provided).

- Locate the following items:
 - Header Bracket
 - Lag Screw (5/16 - 9 x 1-5/8 in.) [2]

INSTALLATION

To install the bracket to the header wall:

- Lower the garage door completely.
- Using a pencil and a level, draw a vertical line in the center of the top portion of the garage door.
- Continue drawing the center line from the door to the header wall. Extend the line to about a foot above the garage door or as far as possible.
- Stand on a ladder near the garage door as someone slowly raises it. While it's moving, find and mark the highest point of travel along the center line. The high point will vary based on the type and construction of your garage door, but typically it will be 10-12 inches above the top of the door.



WARNING:

Use extreme care when standing on a ladder. Ensure someone is holding the ladder on the ground to keep it stable. Failure to safely use a ladder can cause a fall and result in death or serious personal injury.

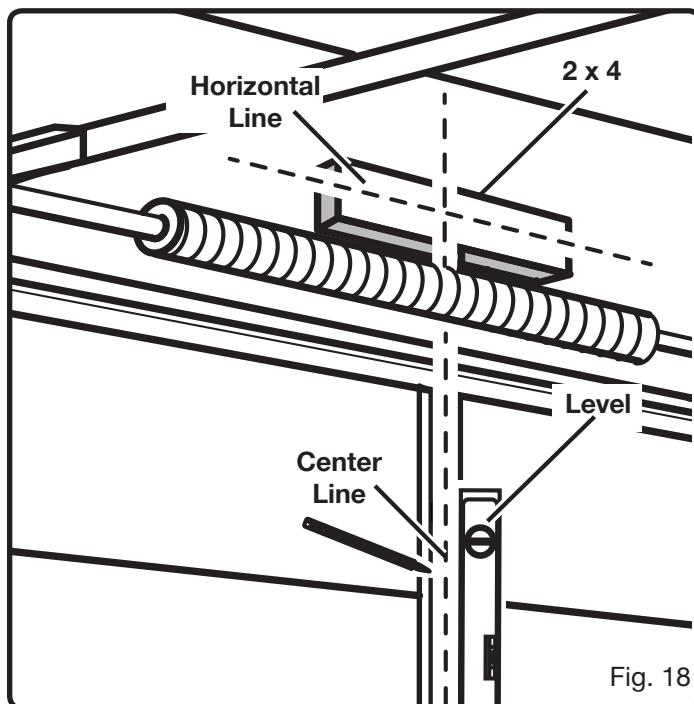


Fig. 18

- Draw a bisecting horizontal line above the high point:
 - For sectional or single-panel garage doors with tracks, the line should be approximately 2 in. above the high point.
 - For single-panel garage doors without tracks, the line should be approximately 8 in. above the high point.
- NOTE:** The position of the horizontal line will determine the clearance between the top of the door and the rail assembly. If the height of your garage prohibits you from drawing the line as specified above, draw it as far above the high point as possible.
- Orient the header bracket as shown in figure 20.

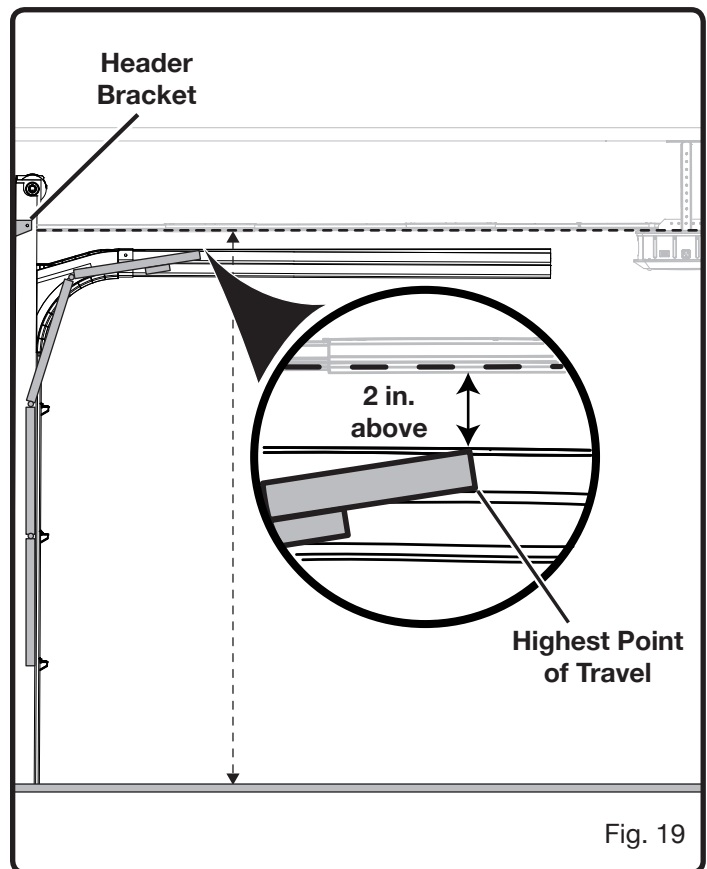
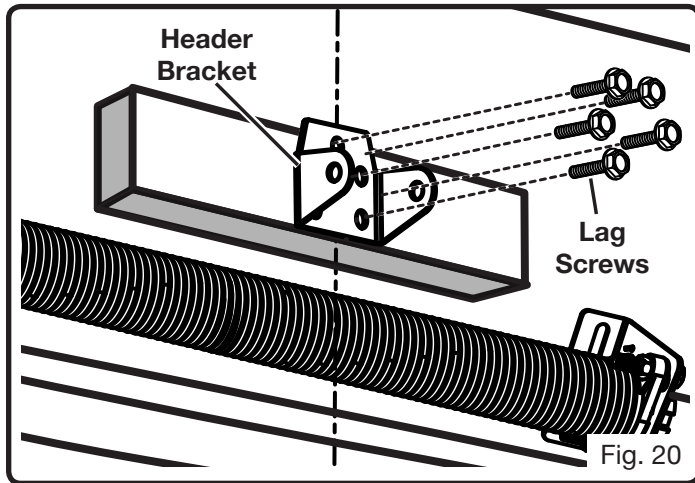


Fig. 19

INSTALLATION

- Place the bottom edge of the header bracket on the horizontal line and center the bracket on the center line.
- Mark the holes in the bracket.
- Drill 3/16 in. pilot holes and secure the bracket in place using lag screws.



ATTACHING RAIL ASSEMBLY TO HEADER BRACKET

See Figure 21.

- Locate the following items:

Clevis Pin

Hitch Pin

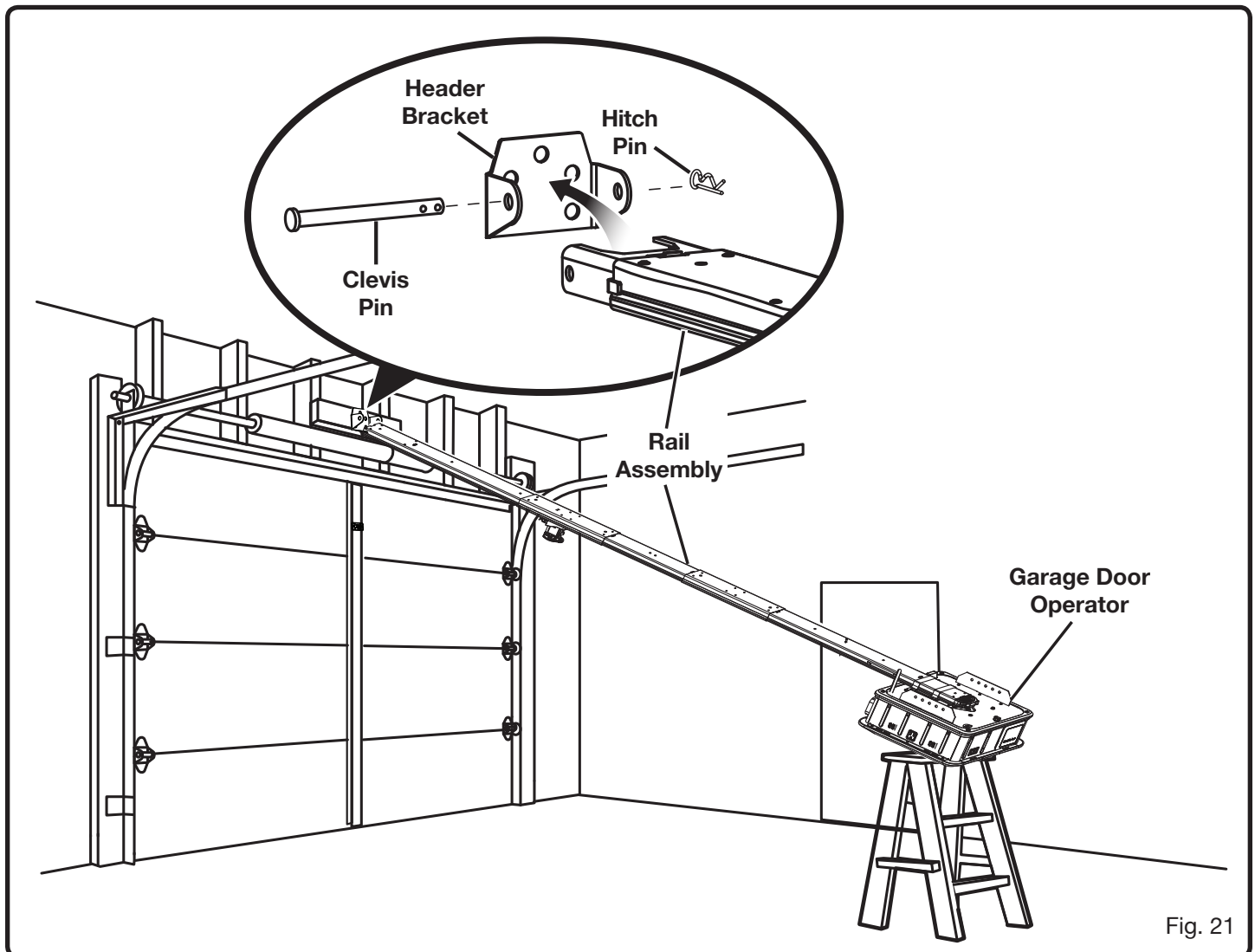
- Place the garage door operator on top of a prop or on the ground with a towel or packaging material beneath it.

- Angle the rail assembly so that it rests against the header bracket.

NOTE: If a door spring or other obstruction is in the way, have someone hold the garage door opener or help to balance it on a raised support while you position the rail assembly.

- Align the holes in the bracket with the holes in the rail assembly.

- Insert clevis pin and secure with hitch pin.



INSTALLATION

MOUNTING THE GARAGE DOOR OPERATOR TO THE CEILING

See Figures 22 - 27.

WARNING:

Mount garage door opener to sound structural support on ceiling. NEVER mount the garage door to drywall or false ceiling grids. ALWAYS use concrete anchors when installing brackets into concrete, brick, or other masonry. Failure to properly mount the garage door operator can cause it to fall and could result in death, serious personal injury, or property damage.

- Locate the following items:

Mounting Strap (2)

Lag Screw (5/16 - 9 x 1-5/8 in.) [2]

Bolt

Lock Washer

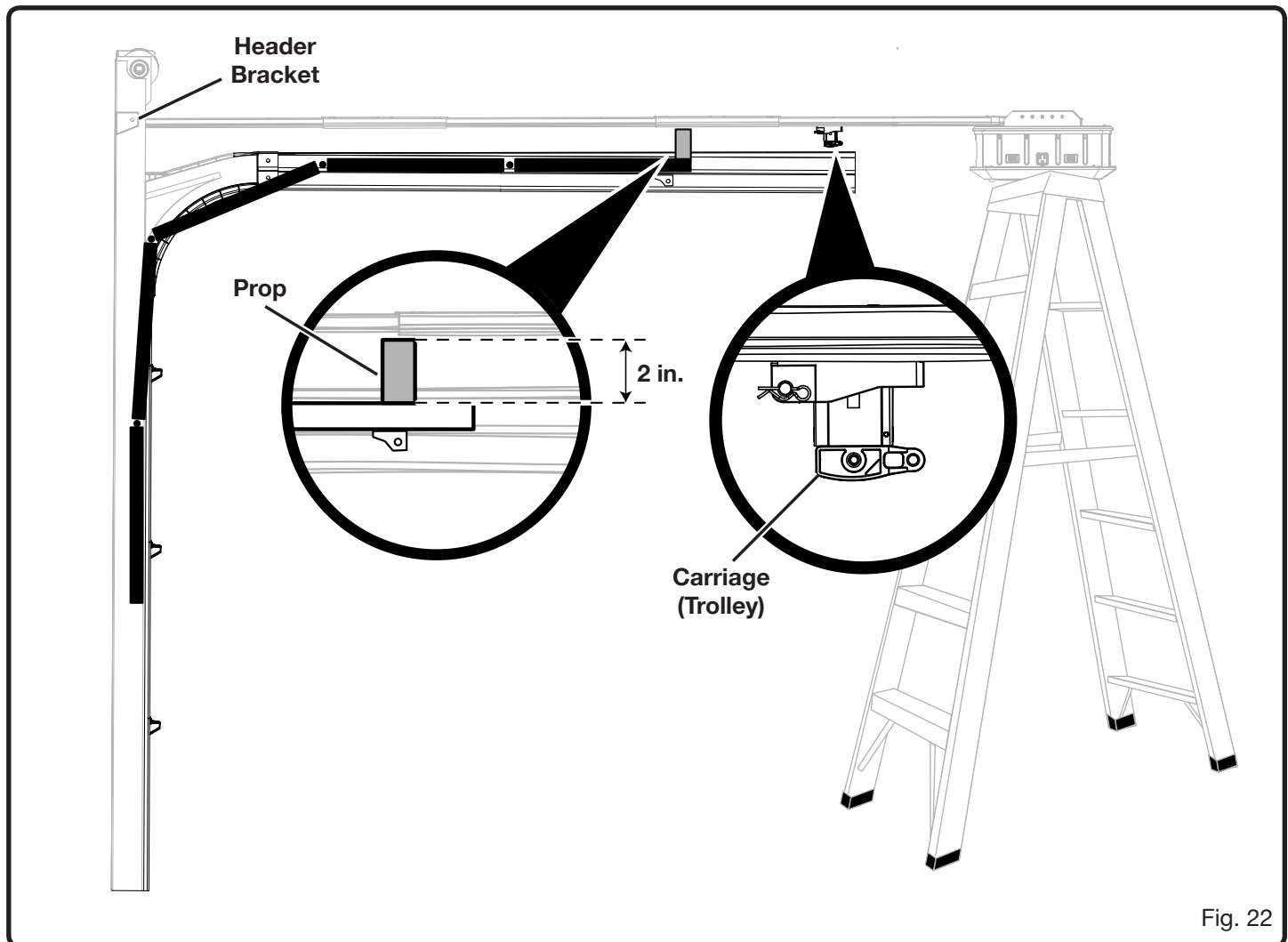
Hex Nut

- Carefully lift the garage door operator and place it on top of a ladder.
- Hold the operator in place while someone else lifts the garage door to its fully open position.

NOTE: To prevent damage to the garage door, place a prop, towel, or packaging material between rail assembly and door.

- Move the garage door operator until it is aligned with the header bracket and the rail assembly is over the center line of the door.
- Raise or lower the operator, as needed, to ensure that the rail assembly is level and that there is at least two inches between the door and the rail.
- Pull the trolley release lever down and slide carriage (trolley) completely toward the garage door operator.

NOTE: The proper configuration and placement of brackets and mounting straps will vary based on the design and construction of your garage ceiling. Figures 22 - 26 are meant to serve as examples but your setup may vary.



INSTALLATION

To mount the garage door operator to finished ceilings:

- Install center bracket or brackets (not supplied) to the nearest joists or other structural supports in garage ceiling using lag screws.
- Measure the space between the center brackets and both sides of the garage door.
- Using a hack saw, cut pieces of the mounting straps to match the measured lengths.
- Connect straps to garage door opener and brackets using bolts, lock washers, and nuts.

NOTE: Install straps on the inside of the brackets (facing the rail).

- Remove the prop, towel, or packaging material and lower the door. If there isn't enough clearance between the rail assembly and the door, move the header bracket up.

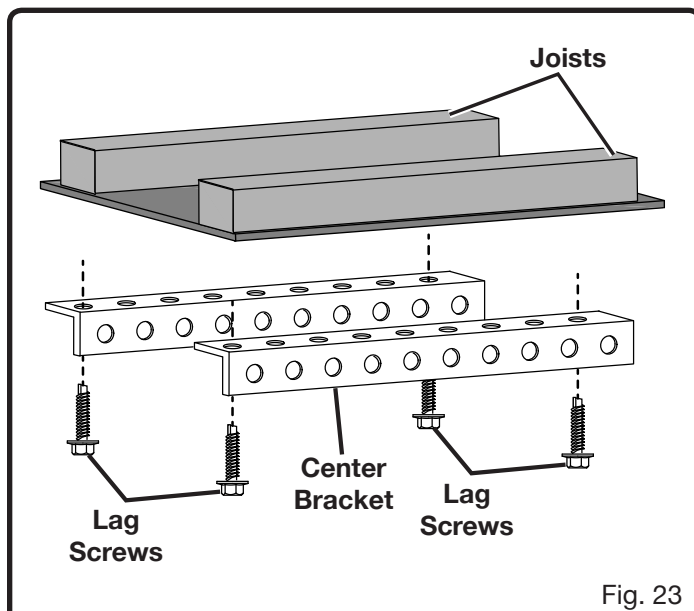


Fig. 23

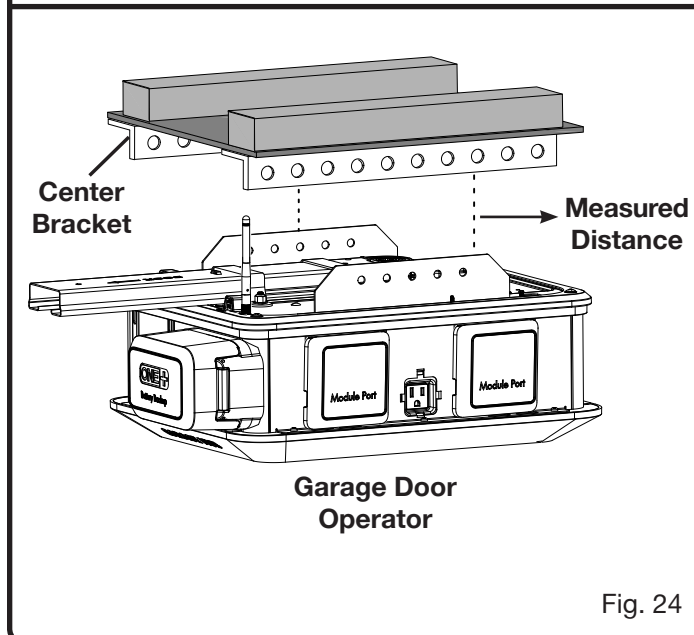


Fig. 24

To mount the garage door operator to unfinished ceilings:

- Measure the space between the garage door opener and the nearest joist on either side.
- Using a hack saw, cut pieces of the mounting straps to match the measured lengths.
- Connect straps to garage door opener and to the joists using bolts, lock washers, and nuts (see figure 27).
- Remove the prop, towel, or packaging material and lower the door. If there isn't enough clearance between the rail assembly and the door, move the header bracket up.

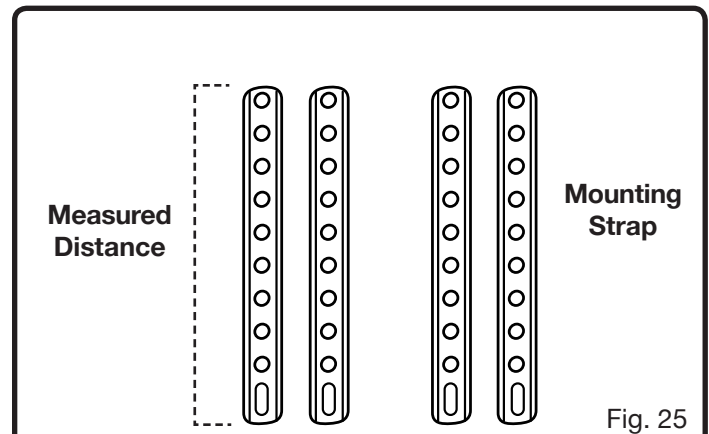


Fig. 25

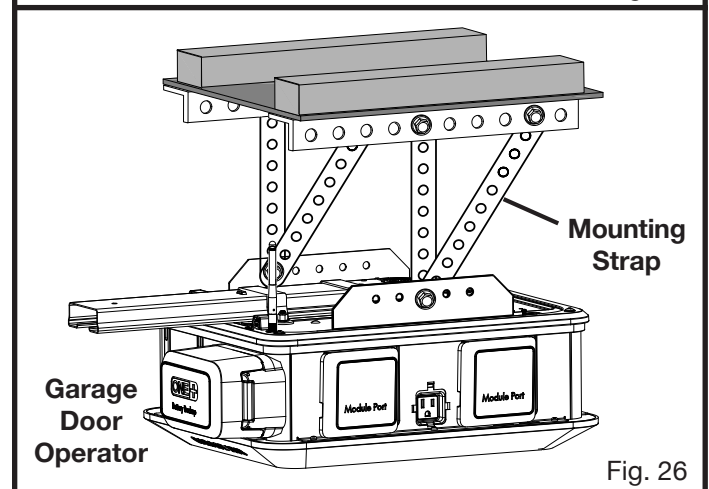


Fig. 26

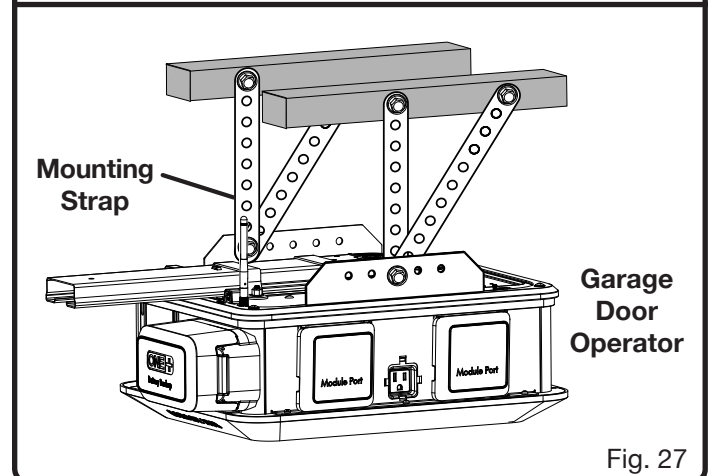


Fig. 27

INSTALLATION

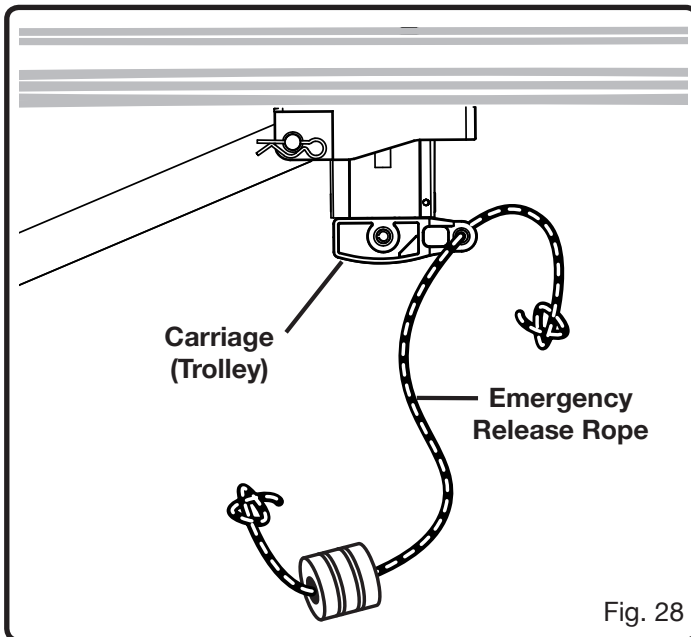
ATTACHING THE EMERGENCY RELEASE ROPE

See Figures 28.

WARNING:

Do not engage the emergency release while the garage door is open, do not use the emergency release rope to raise or lower the garage door, and only engage the emergency release when the door way is clear of all people, pets, and obstructions. **Failure to properly engage the emergency release can result in death or serious personal injury resulting from a falling garage door.**

- Locate the following item:
Emergency Release Rope
- Lower the garage door completely.
- Insert one end of the emergency release rope through the hole in the handle and tie a knot at the bottom.
- Insert the other end of the emergency release rope through the hole in the trolley release lever. Pull the rope up until it is at least six feet above the garage floor, then tie a knot.



INSTALLING THE DOOR BRACKET

See Figures 29 - 32.

- Locate the following items:
Door Bracket
Screws

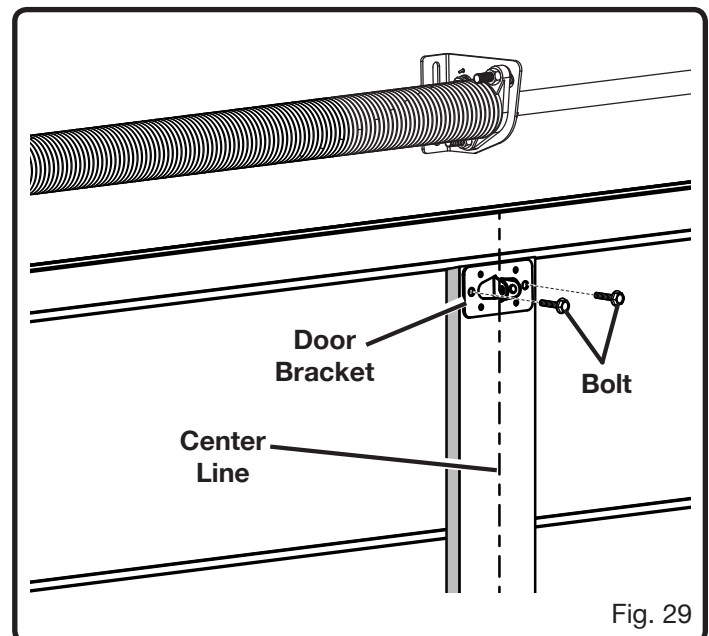
NOTICE:

Before installing the door bracket, ensure that your door has proper horizontal and vertical support. Aluminum, fiberglass, and other light weight garage doors may require vertical or horizontal reinforcement. Check with your garage door manufacturer or installer for reinforcement instructions. Installing a garage door opener on a door that is not properly supported could damage the door and void the door warranty.

To install the bracket on sectional garage doors:

- Lower the garage door completely.
- Using a pencil and a level, draw a vertical line in the center of the top portion of the garage door.
- Center the bracket on the line and place it just below the top of the door or at the same approximate height as the top roller.
- Mark the middle holes on the left and right of the bracket.
- Drill 3/16 in. pilot holes and secure the bracket in place using screws.

NOTE: For wooden doors, drill hole completely through the door and install bracket using bolts and nuts, see figure 29.



INSTALLATION

To install the bracket on single-panel doors:

- Lower the garage door completely.
- Using a pencil and a level, draw a vertical line in the center of the top portion of the garage door.
- Extend the line across the top edge of the door.
- Place the door bracket on the top edge of the door and center it on the line.

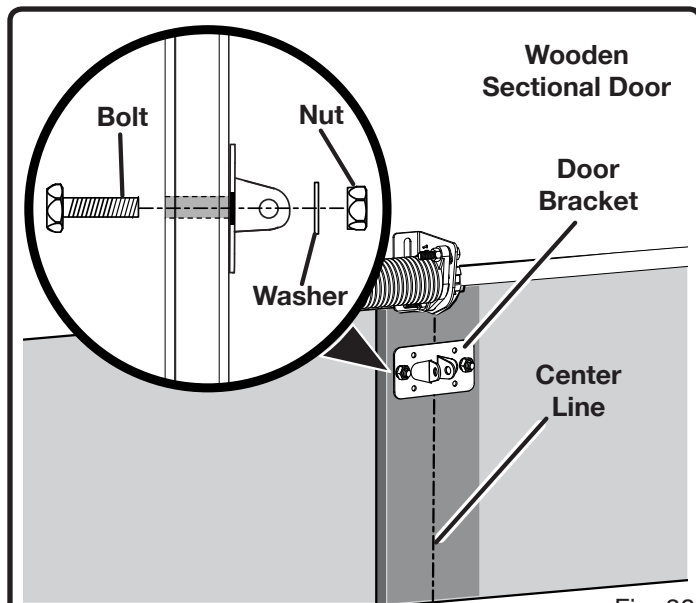


Fig. 30

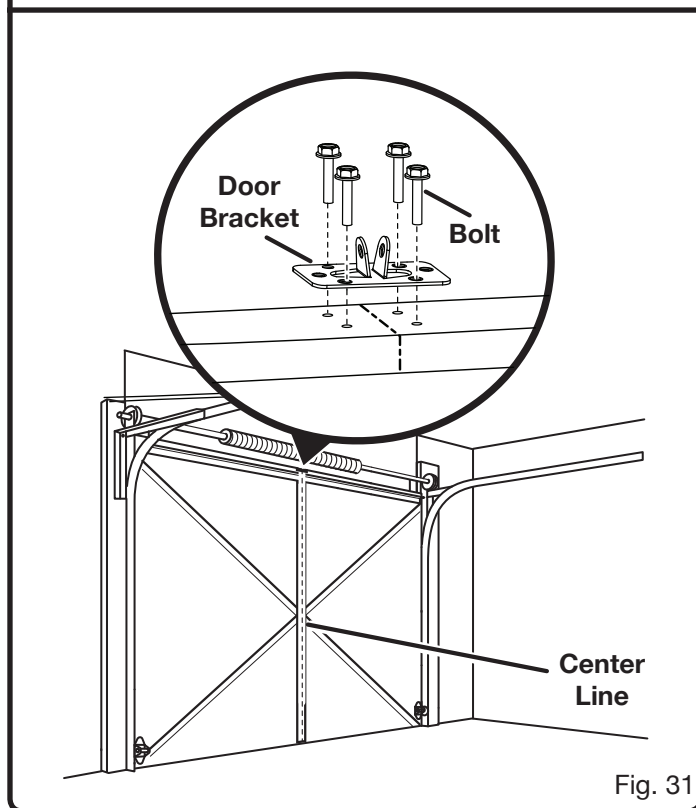


Fig. 31

NOTE: The bracket can also be placed on the front upper portion of the door if necessary.

- Mark the holes in the bracket.
- Drill 3/16 in. pilot holes and secure the bracket in place using screws.

NOTE: For wooden doors, drill hole completely through the door and install bracket using bolts and nuts.

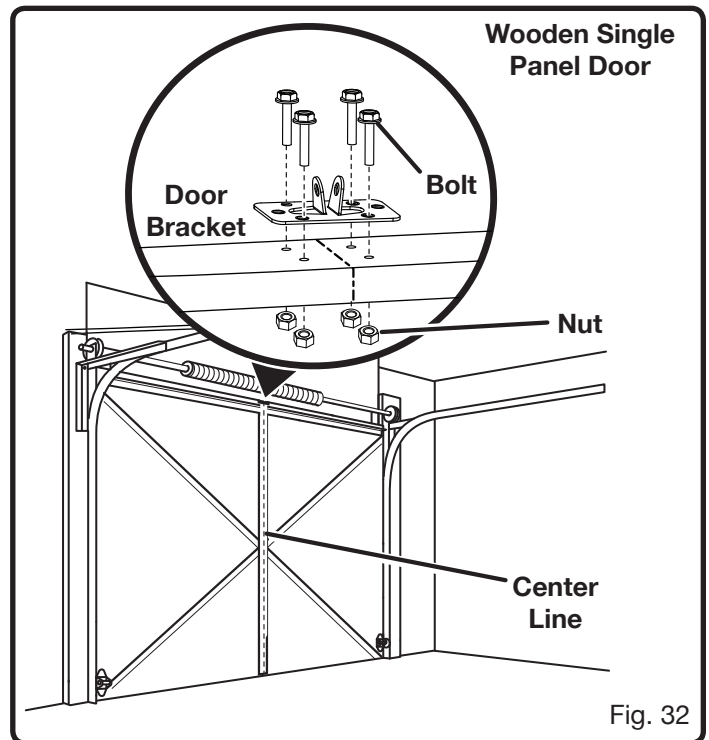


Fig. 32

INSTALLATION

CONNECTING DOOR BRACKET TO CARRIAGE (TROLLEY)

See Figures 33 - 38.

- Locate the following items:

Curved Door Arm
Straight Door Arm
Clevis Pin (2)
Hitch pins (2)
Bolts
Lock Washers
Nuts

To connect sectional doors:

- Lower the garage door completely.
- Pull the emergency release rope down and slide carriage (trolley) toward the garage door.

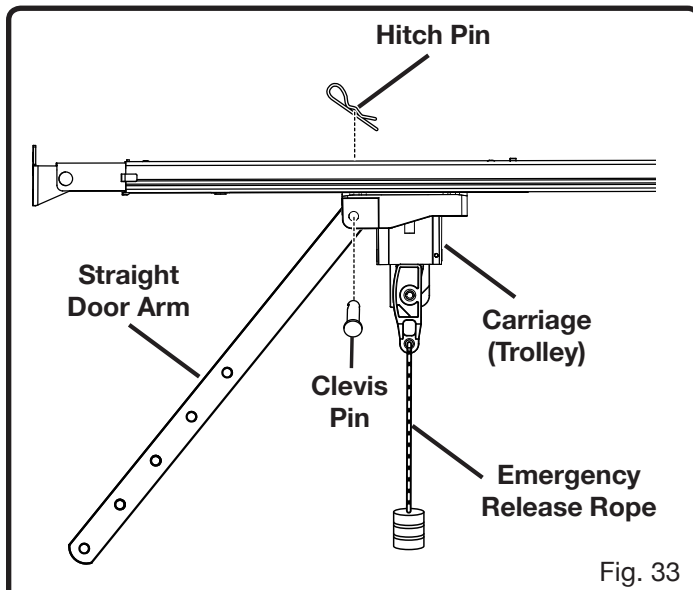


Fig. 33

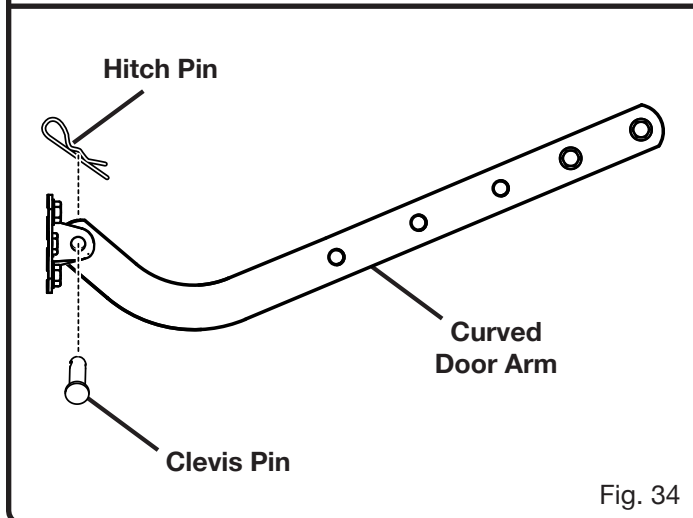


Fig. 34

- Secure straight door arm to the rear of the carriage (trolley) using clevis pin and hitch pin.
- Secure curved door arm to the door bracket using clevis pin and hitch pin.
- Bring the curved and straight arms together. Choose two sets of aligned holes and install bolts, washers, and nuts.
NOTE: For better rigidity, install fasteners in holes that are as far apart as possible.
NOTE: If the holes in the arm do not align, remove the straight door arm and reattach it in the reverse position.
- If the straight door arm hangs too low after assembly, you can shorten the length of the arm by cutting off up to 6 inches.

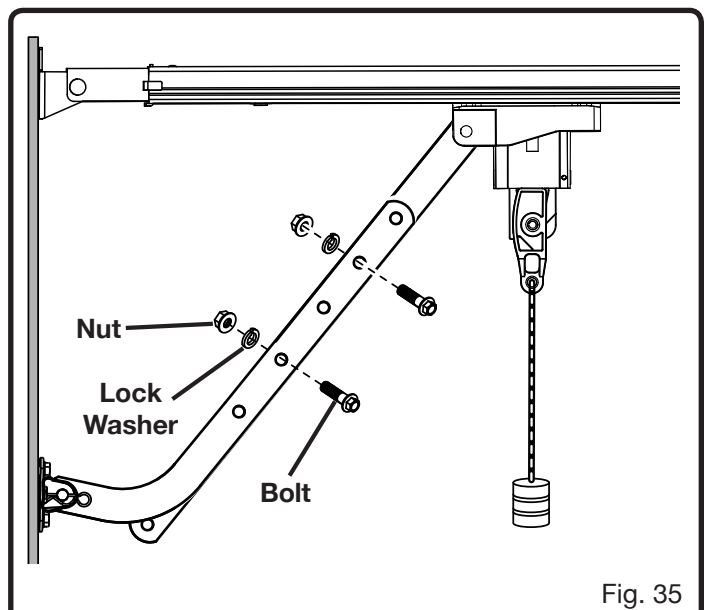


Fig. 35

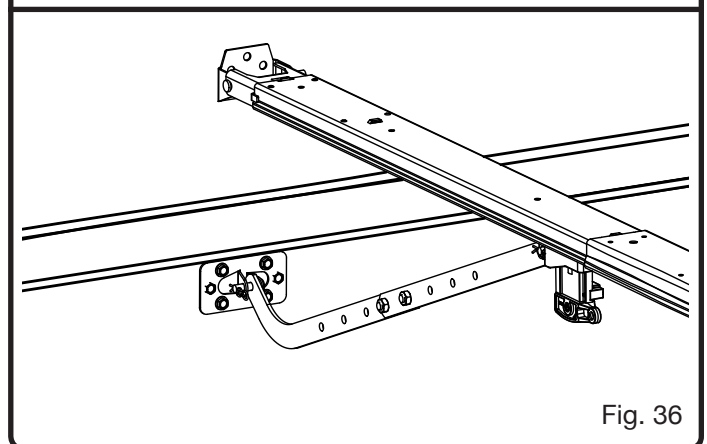


Fig. 36

INSTALLATION

To connect single-panel doors:

- Lower the garage door completely.
- Pull the emergency release rope down and slide carriage (trolley) toward the garage door.
- Place the curved and straight arms together and align the holes.
- Choose two sets of aligned holes and install bolts, washers, and nuts.

NOTE: For better rigidity, install fasteners in holes that are as far apart as possible.

- Secure straight door arm to the door bracket using clevis pin and hitch pin.
- Secure curved door arm to the rear of the carriage (trolley) using clevis pin and hitch pin.

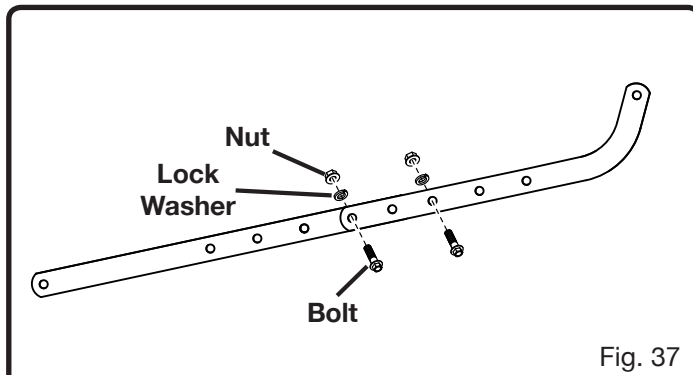


Fig. 37

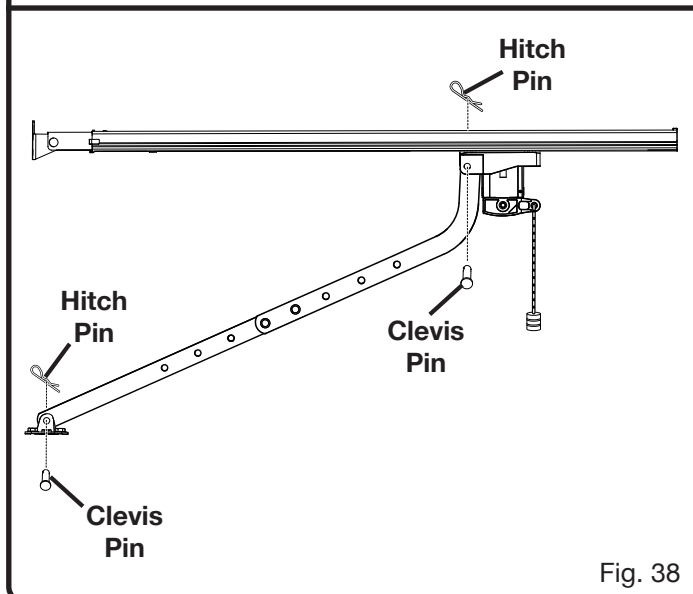


Fig. 38

INSTALLING THE SAFETY SENSORS

See Figures 39 - 44.

- Locate the following items:
 - Safety Sensors (2)
 - Insulated Staples
 - Wing Nut
 - Bracket
 - Screw

⚠ WARNING:

DO NOT operate the garage door opener unless the safety sensors are installed and working correctly. **Failure to properly install and ensure that the safety sensors are working correctly can result in death or serious personal injury.**

⚠ WARNING:

The bottom of the safety sensor should be no higher than 6 inches above the garage floor. This will ensure that the door reverses should a child, pet, or small object move beneath the door as it lowers. **Improper placement of the safety sensors can result in death or serious personal injury.**

⚠ WARNING:

The effectiveness of the safety sensors included in this system directly relates to the placement and installation of the sensors. Incorrect placement or installation could prevent the sensors from working as intended and result in **death or serious personal injury.**

- Assemble the safety sensors by inserting the sensor stud through the long slot in the bracket and securing with a wing nut.
- Lower the garage door completely.

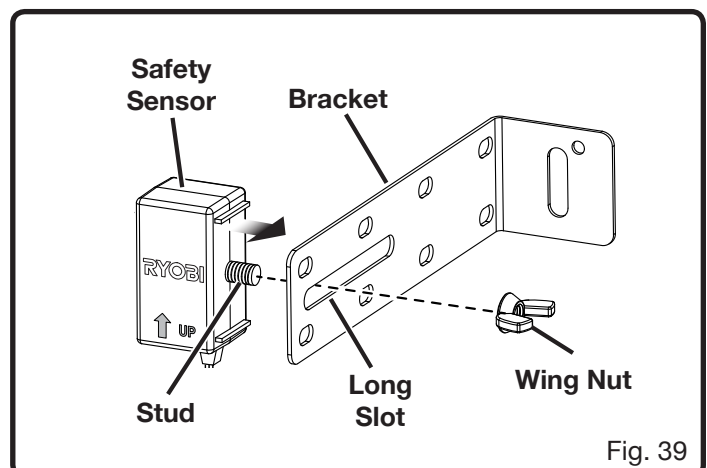


Fig. 39

INSTALLATION

- Position both sensors on either side of the interior of the garage door about 4 to 6 inches above the garage floor and point the lenses towards each other. The arrow should be facing up.

NOTE: The bottom of the sensor should be no higher than 6 inches above the floor.

NOTE: The receiving sensor has a green LED. Ensure that the lens on this sensor is not exposed to direct sunlight.

- Mark a hole in the bracket.
- Drill 3/16 in. pilot hole and secure the bracket in place using a screw.

NOTE: Use lag screws and concrete anchors (not included) when installing the brackets into concrete, brick, or other masonry.

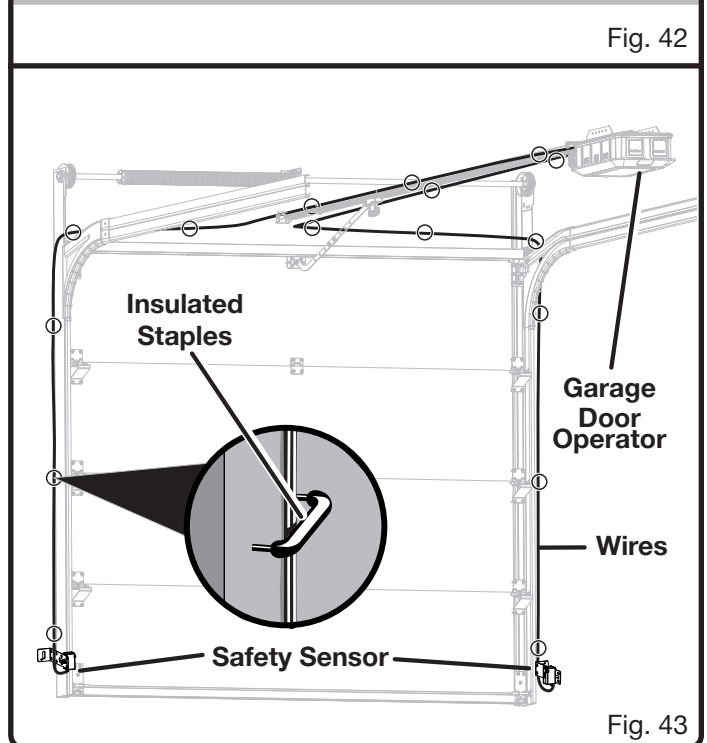
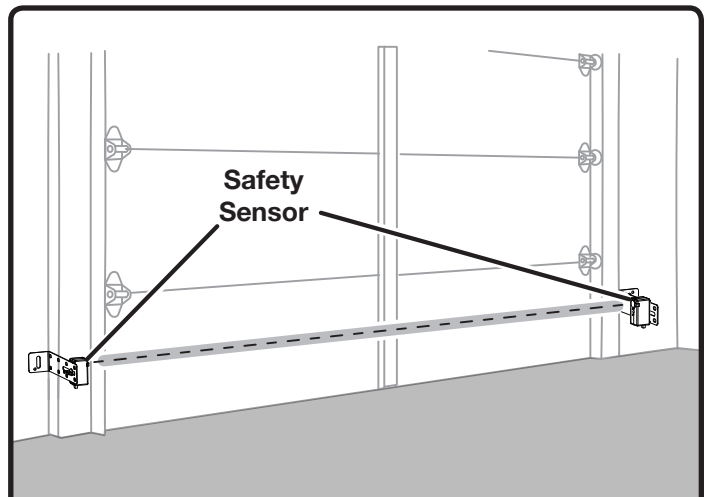
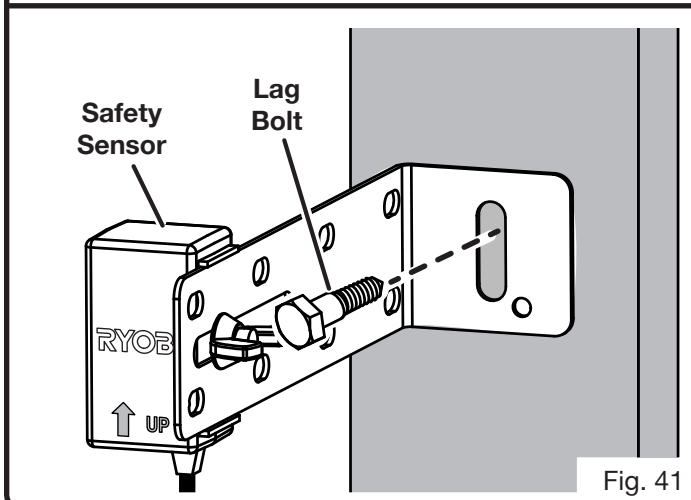
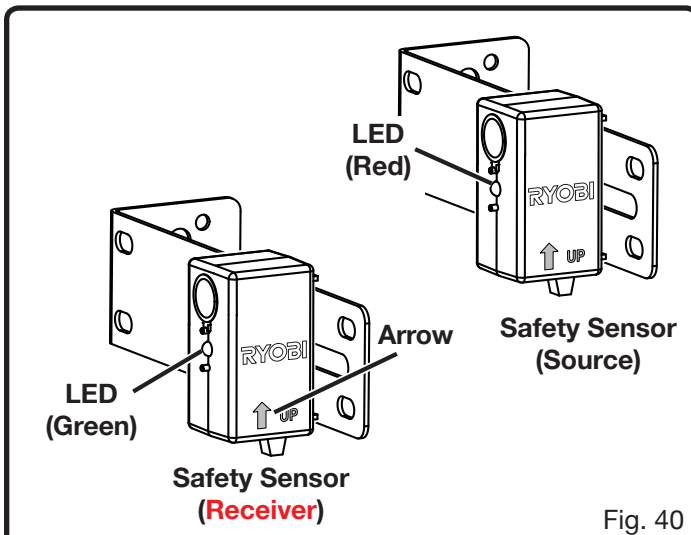
⚠ WARNING:

Connect the sensors using low voltage wires only to prevent the risk of electric shock or serious personal injury.

- Route the wires from the sensors to the door sensor wire terminals. Attach the wires to the wall and ceiling using the insulated staples.
- To install or remove wires from a wire terminal, depress the tab beside the terminal.
- Twist the striped wires from both sensors together and insert them into either the left or right door sensor terminal.

⚠ WARNING:

To avoid the risk of death, electric shock, or serious personal injury ensure that the garage door opener is unplugged and the battery pack is removed before wiring the sensors.



INSTALLATION

- Twist the plain wires from both sensors together and insert them into the remaining terminal.
- For alignment instructions, see **Aligning The Safety Sensors** in the *Operations* section.

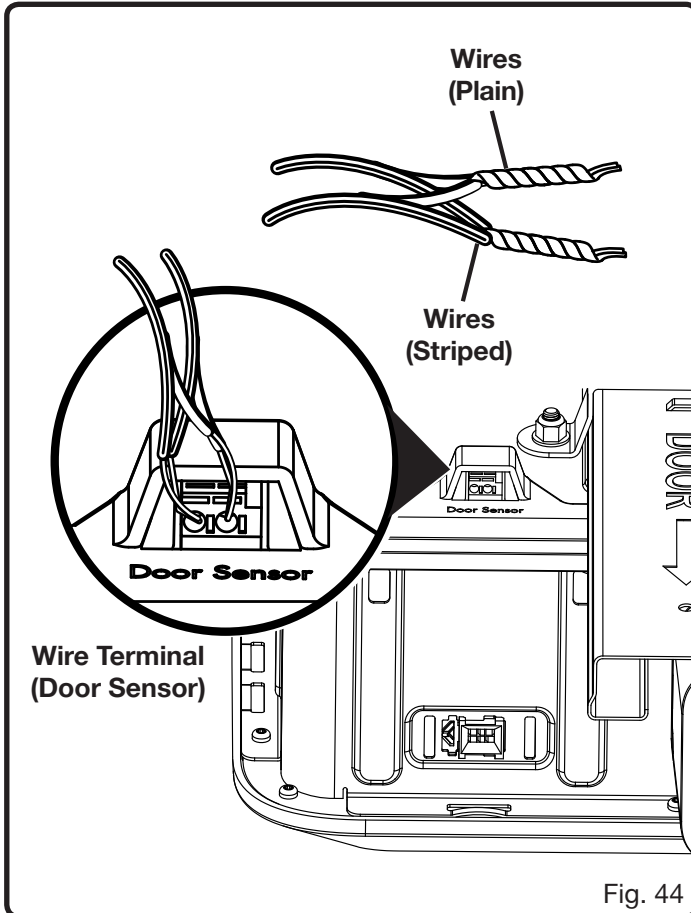


Fig. 44

INSTALLING THE INDOOR KEY PAD

See Figures 45 - 49.

- Locate the following items:
 - Indoor Key Pad
 - Low Voltage Wire
 - Insulated Staples
 - Entrapment Label
 - Screws

! WARNING:

Do not use garage door opener if keypads or remotes do not start and stop the motor. **An opener that cannot be controlled with a keypad or remote is dangerous, can result in death or serious personal injury, and must be repaired.**

! WARNING:

Make sure the key pad is mounted high enough to prevent unauthorized activation of the garage door opener. **It should be placed at least 5 feet above the floor so that it is inaccessible to children. Unauthorized activation of the opener can result in death or serious personal injury.**

! WARNING:

Do not start or stop the garage door opener if there is a person or object in the path of the door, the door has not been properly balanced, or if you cannot see the doorway. **Failure to follow these instructions can result in death or serious personal injury.**

! WARNING:

To avoid the risk of **death, electric shock, or serious personal injury** ensure that the garage door opener is unplugged and the battery pack is removed before wiring the key pad.

! WARNING:

Connect the keypad using low voltage wires only to prevent the risk of electric shock or serious personal injury.

- Find desired location indoors and in sight of the garage door.
- NOTE:** The key pad should be at least 5 feet above the floor so it is inaccessible to children.
- Measure or estimate the distance between the desired location and the keypad wire terminal on the garage door operator.

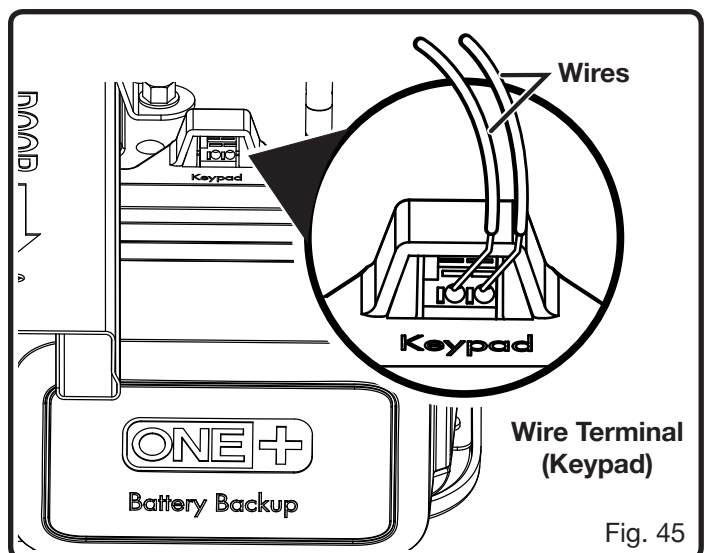


Fig. 45

INSTALLATION

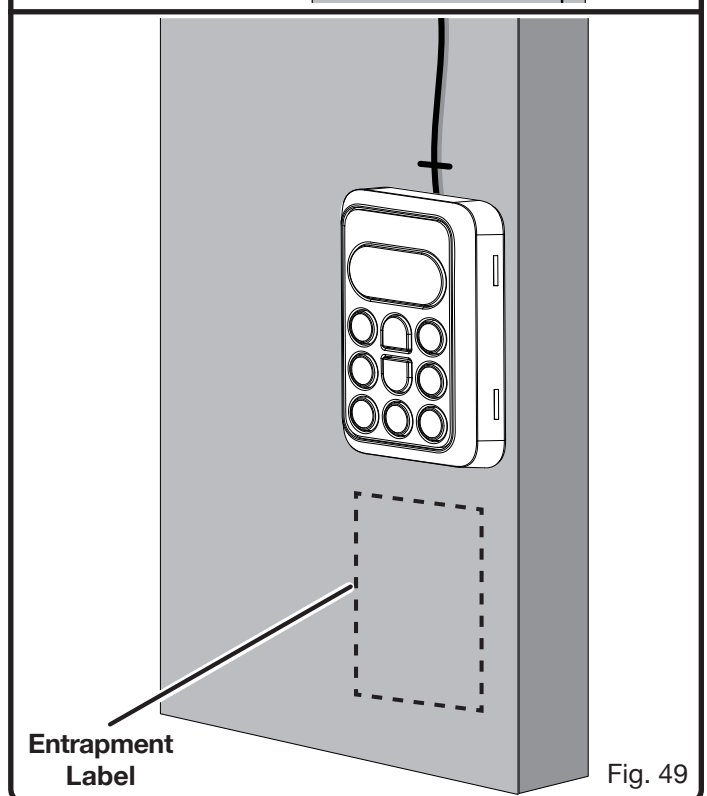
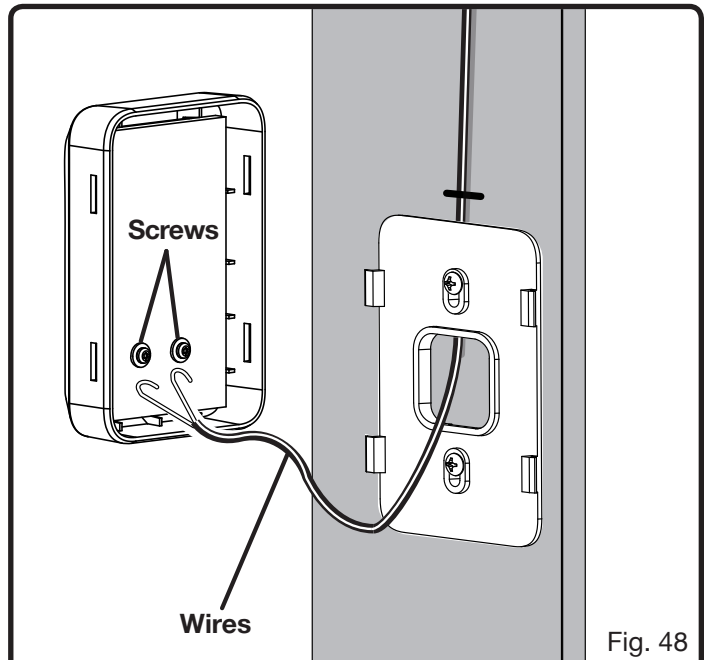
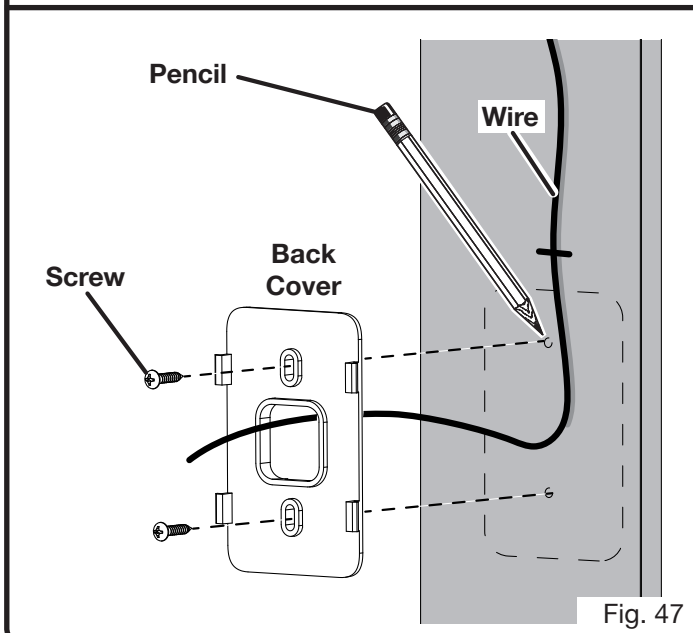
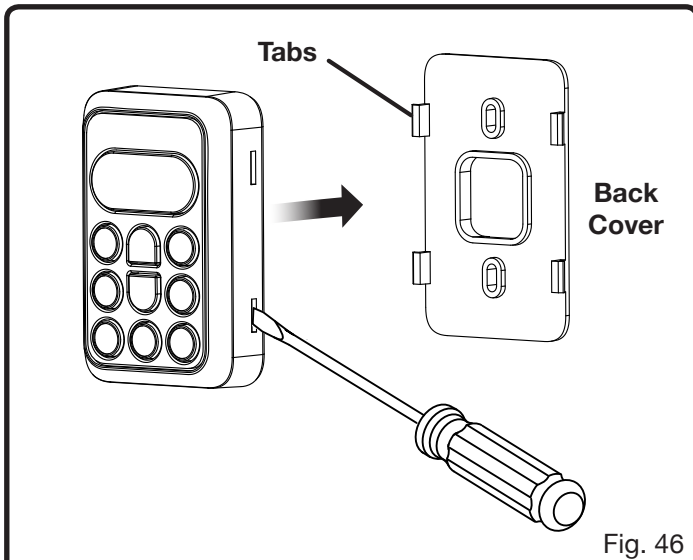
- Cut two pieces of wire slightly longer than the measured or estimated length.
- Strip 7/16 in. of insulation from the ends of each wire.
- Insert one wire into each of the keypad terminals.
- Route the wires from the terminals to the desired location. Attach the wires to the wall and ceiling using the insulated staples.
- Insert a flat head screwdriver into the tabs on the indoor keypad and remove the back cover.
- Pull the wires through the hole in the back cover.
- Hold the back cover against the wall. Use a pencil and a level to mark screw hole placement.
- Mount the back cover to the wall using screws. Be careful not to damage the wires.
- Connect one wire to each of the screws on the back of the keypad.

- Connect the key pad to the back cover.

NOTICE:

Install entrapment warning label next to the indoor keypad in a prominent location.

- For details about using the indoor keypad, see **Using the Indoor Keypad** in the *Operations* section.



INSTALLATION

INSTALLING THE OUTDOOR KEY PAD

See Figures 50 - 52.

- Locate the following items:

Outdoor Key Pad
Screws

WARNING:

Do not use garage door opener if keypads or remotes do not start and stop the motor. **An opener that cannot be controlled with a keypad or remote is dangerous, can result in death or serious personal injury, and must be repaired.**

WARNING:

Make sure the key pad is mounted high enough to prevent unauthorized activation of the garage door opener. **It should be placed at least 5 feet above the floor so that it is inaccessible to children. Unauthorized activation of the opener can result in death or serious personal injury.**

WARNING:

Do not start or stop the garage door opener if there is a person or object in the path of the door, the door has not been properly balanced, or if you cannot see the doorway. **Failure to follow these instructions can result in death or serious personal injury.**

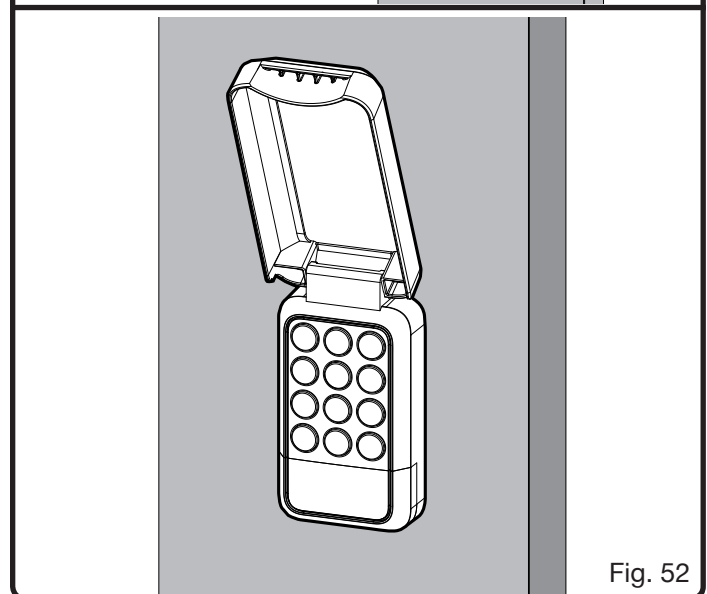
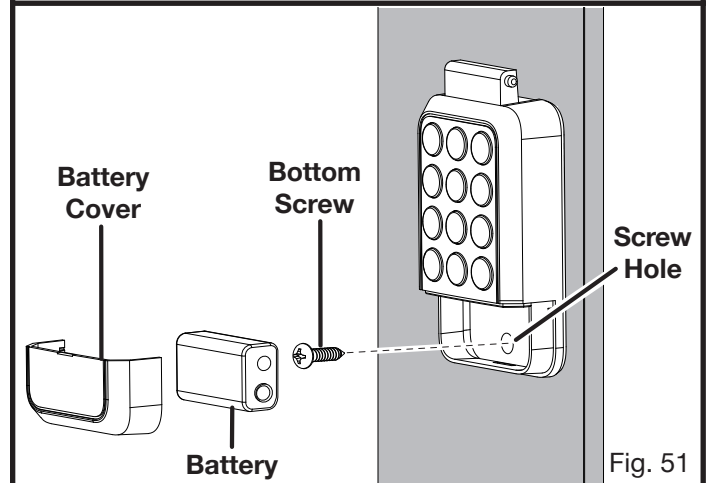
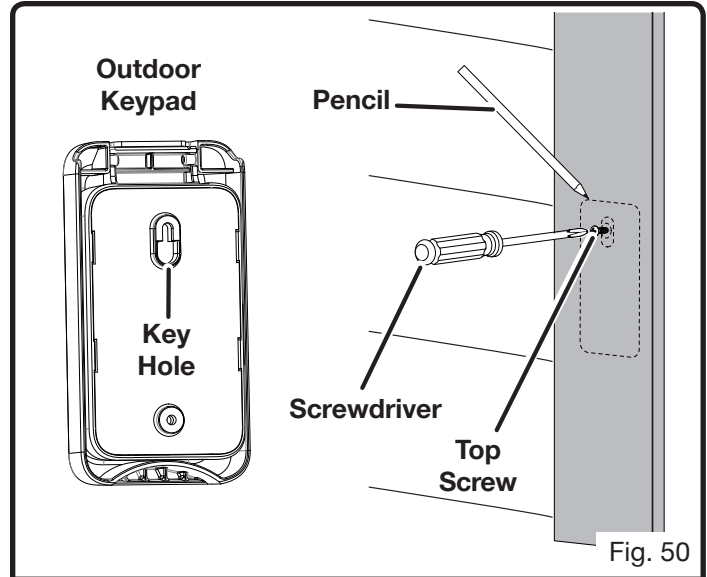
- Find desired location outdoors and in sight of the garage door.

NOTE: The key pad should be at least 5 feet above the floor so it is inaccessible to children.

- Use a level to be sure that key pad is in a vertical position. Use a pencil to mark screw hole placement and install top screw.
- Remove the battery cover.
- Place the wide portion of the key hole over the head of the top screw.
- Slide the key pad down until the top screw is inside the narrow portion of the key hole.
- Check the orientation of the key pad and install bottom screw into the screw hole.
- Replace the battery cover.
- For programming instructions, see **Programming the Outdoor Keypad** in the *Operations* section.

To install battery:

- Remove battery cover.
- Install battery according to polarity.
- Replace back cover.



OPERATION

WARNING:

Do not allow familiarity with products to make you careless. Remember that a careless fraction of a second is sufficient to cause death or serious injury.

WARNING:

Do not use any attachments or accessories not recommended by the manufacturer of this product. The use of attachments or accessories not recommended can result in serious death or personal injury.

NOTICE:

Before each use, inspect the entire product for damaged, missing, or loose parts such as screws, nuts, bolts, caps, etc. Tighten securely all fasteners and caps and do not operate this product until all missing or damaged parts are replaced. Please contact customer service or a qualified service center for assistance.

For complete charging instructions, refer to the Operator's Manuals for your Ryobi One+ battery pack and charger models.

NOTICE:

This product is designed to be powered by either a Ryobi One+ 18V battery pack (DC mode) or by electric power (AC mode). The unit will operate in AC mode whenever it is connected to an electric power source. It will switch to DC mode when an approved battery pack is installed and the unit is not connected to an AC power source.

CONNECTING THE GARAGE DOOR OPENER TO A POWER SUPPLY

See Figures 53 and 54.

For AC power:

- Assemble and mount the garage door opener as described earlier in the *Installation* section.
- Connect the garage door opener to an AC power supply.
NOTE: Make sure the power supply is normal household voltage, 120 volts, AC only, 60 Hz.
- Ensure that the power cord does not droop excessively or contact moving parts.

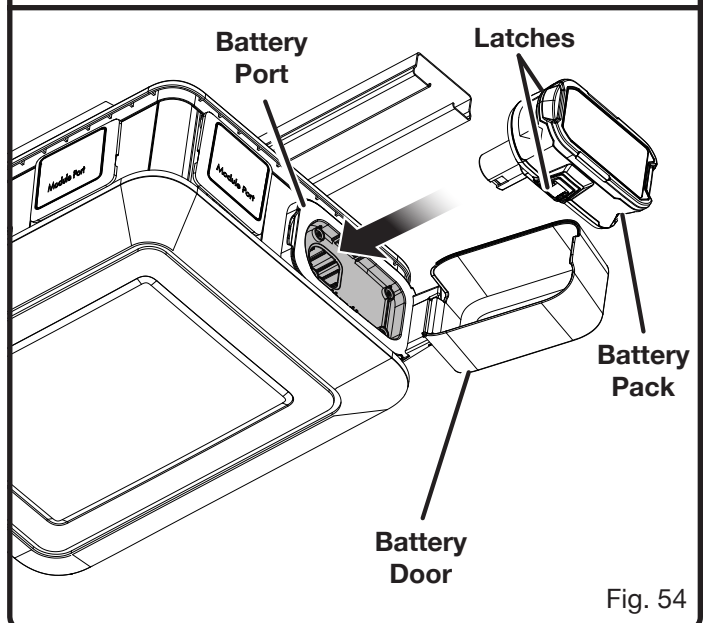
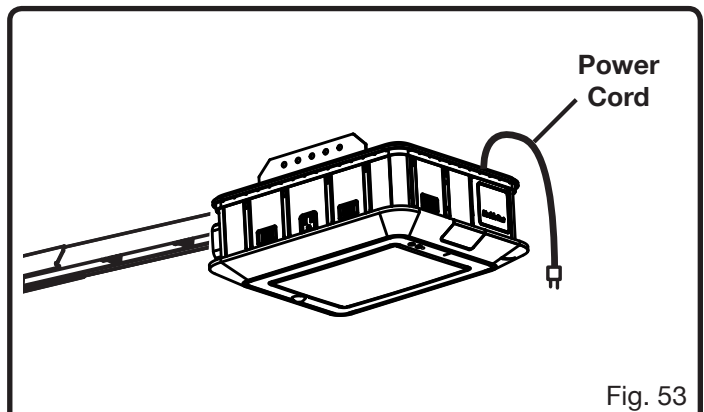
For DC power:

- Unplug the garage door opener.
- Open the battery door.
- Insert the battery pack into the product as shown.
- Make sure the latches on each side of the battery pack snap into place and the battery pack is secured before beginning operation.

WARNING:

Make sure the latches on the battery pack snap in place and the battery pack is fully seated and secure in the battery port before beginning operation. Failure to securely seat the battery pack could cause the battery pack to fall out, resulting in serious personal injury or property damage.

- Close the battery door.
- Open the battery door and depress the latches to remove the battery pack.



OPERATION

When a battery pack is installed and the power cord is plugged in, the garage door operator will begin charging the battery pack.

CHARGING A BATTERY PACK

See Figure 54.

Battery packs are shipped in a low charge condition to prevent possible problems. Therefore, you should charge them before first use. If the garage door opener does not charge the battery pack under normal circumstances, return both the battery pack and garage door opener to your nearest repair center for electrical check.

- Connect the garage door opener to an AC power supply.
- Install battery pack into the garage door opener as described earlier.
- Press on the battery pack to be sure contacts on the battery pack engage properly with contacts in the garage door opener.
- The battery pack may become slightly warm to the touch while charging. This is normal and does not indicate a problem.
- When the battery pack is fully charged, remove the battery pack or leave it in the battery port to provide DC power if needed.

INSTALLING MODULES

See Figures 55 and 56.

The garage door opener can power a variety of AC and DC modules. **For a complete list of modules, visit ryobitools.com/garagehub.**

WARNING:

Use only recommended accessories listed on our website, in this manual, or in addendums. Use of accessories that are not listed may cause the risk of personal injury. Instructions for safe use of accessories are included with the accessory.

WARNING:

Ensure modules are properly and securely connected to their port on the garage door opener. Failure to properly secure the module can cause it to fall and could result in serious personal injury or property damage.

For DC modules:

- Select one of the seven DC module ports to power your fan module.
- Hook the module to the top of the garage door opener and insert it into the module port. **Ensure the bottom latch on the module is secured to the port on the garage door opener.**

NOTE: DC modules will not **receive** power unless the module port has been activated. See **Using the Indoor Keypad** later in this section.

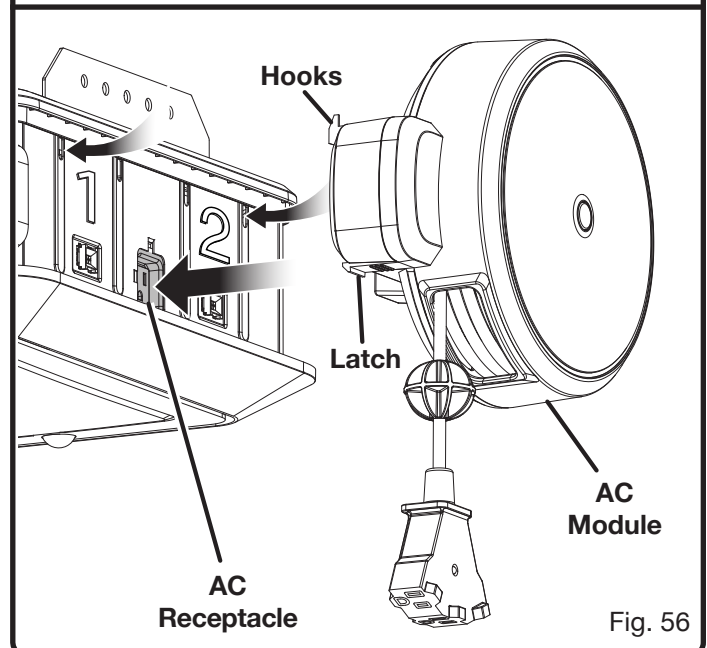
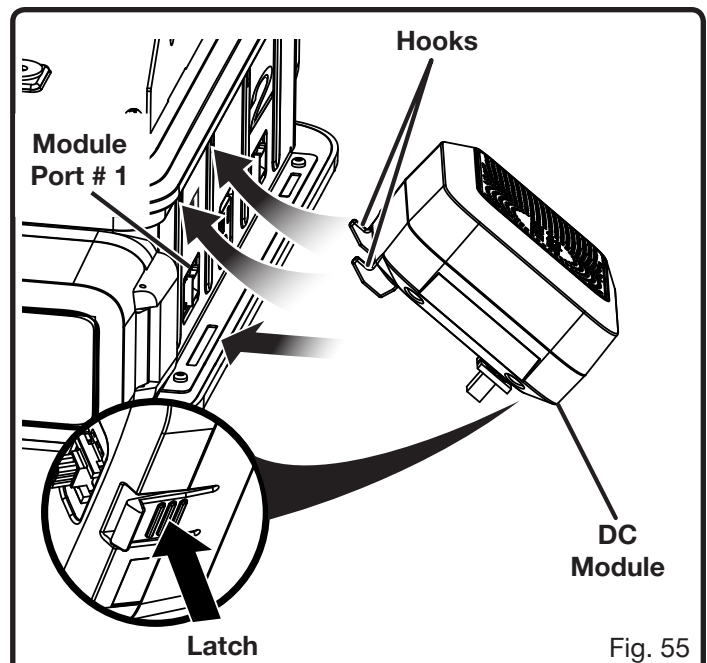
- Depress latches to release and remove the module.

For AC modules:

- Insert AC module into the AC receptacle as shown.
- Secure the module in place by hooking it to the top of the garage door opener **and ensure the bottom latch on the module is secured to the port on the garage door opener.**

- Depress latches to release and remove the module.

NOTE: If the garage door opener is unplugged and a charged battery pack is installed, the AC receptacles will be disabled but the DC module ports will continue to function normally.



OPERATION

ALIGNING THE SAFETY SENSORS

See Figure 57.

WARNING:

DO NOT operate the garage door opener unless the safety sensors are installed and working correctly. **Failure to properly install and ensure that the safety sensors are working correctly can result in death or serious personal injury.**

WARNING:

The effectiveness of the safety sensors included in this system directly relates to the placement and installation of the sensors. Incorrect placement or installation could prevent the sensors from working as intended and result in **death or serious personal injury.**

NOTICE:

The garage door will not close unless the safety sensors are installed, wired, and aligned correctly.

- Install and wire the safety sensors as described earlier in the *Installation* section.

- Connect the garage door opener to an AC power supply.
NOTE: Make sure the power supply is normal household voltage, 120 volts, AC only, 60 Hz
- If wired correctly, the LED lights on both sensors should shine continuously. If the LEDs do not come on, unplug the garage door opener and ensure that the sensors are wired correctly. If problem persists, refer to the **Safety Sensor Diagnostic Feedback** chart later in the manual.
- If the LED lights on both sensors shine **continuously**, then the sensors are aligned and no adjustments are needed.
- If the LED lights are blinking, then the sensors need to be aligned.
- Loosen, but do not remove, the fasteners securing the sensors in place and adjust the position of the sensors until the lens on the source and receiver are directly facing one another.
- When the sensor lenses are in the correct position, the invisible light beam emitted by the source will be captured by the **receiver** and the LEDs will shine continuously.
NOTE: If an object crosses the path of the beam, an open garage door will not close and a closing garage door should stop and reverse to the fully open position.
- After the sensors have been aligned, retighten fasteners.

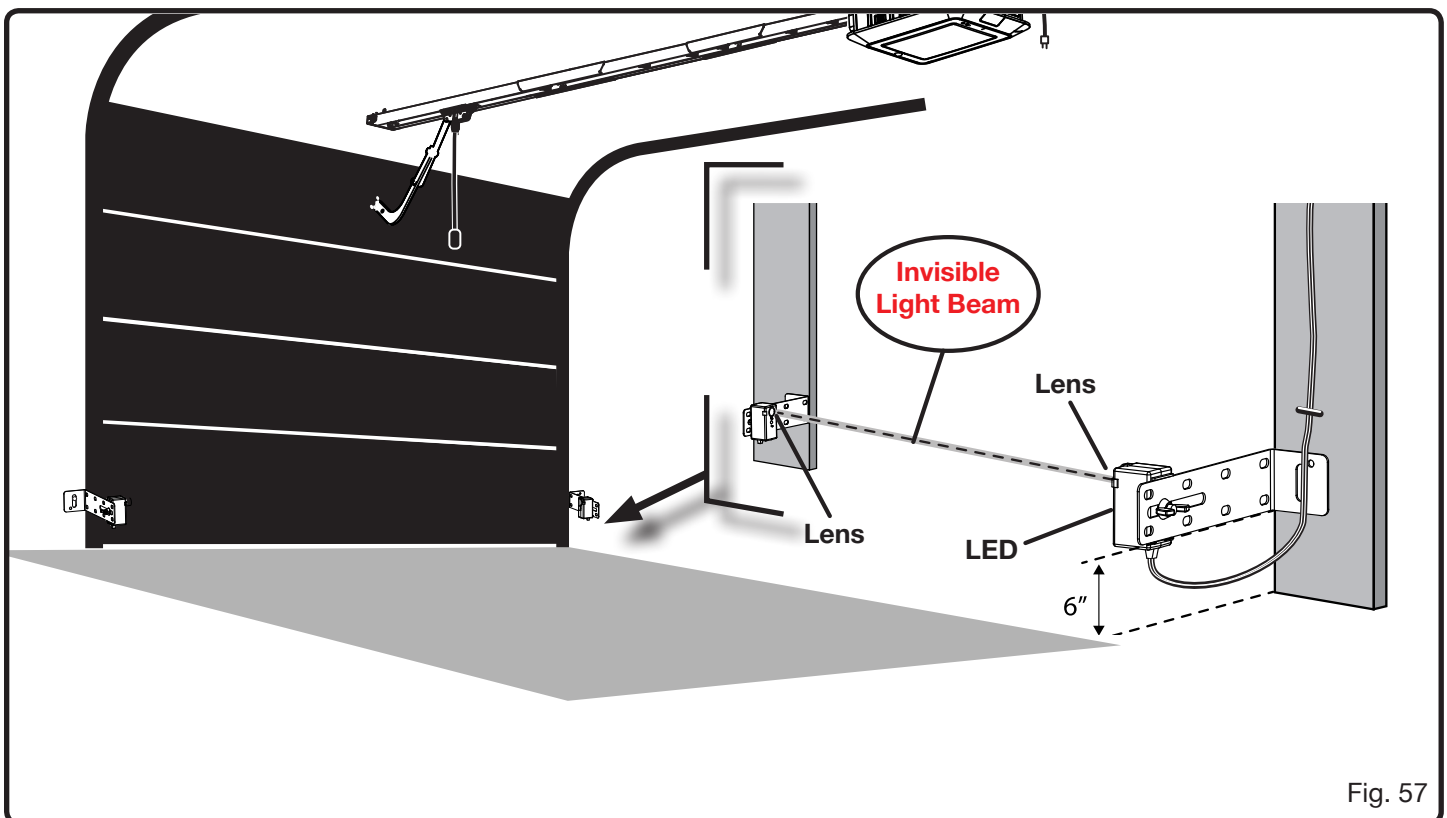


Fig. 57

OPERATION

SAFETY SENSOR DIAGNOSTIC FEEDBACK

LED FUNCTIONS			
RED LED (SOURCE)	GREEN LED (RECEIVER)	PROBLEM	SOLUTION
ON	ON	No problem indicated	No action required
OFF	OFF	Garage door operator is unplugged or the battery is depleted Wires from garage door operator may be damaged	Charge the battery or connect to power supply Replace damaged or broken wires
OFF	ON	Wires from garage door operator may be damaged	Replace damaged or broken wires
ON	OFF	The safety sensors are out of alignment Wires from garage door operator may be damaged	Align the safety sensors Replace damaged or broken wires
BLINKING 2x, stop (repeat)	ON	The safety sensors are out of alignment The safety sensors are obstructed One or both sensors are defective	Align the safety sensors Remove all objects between the safety sensors Contact customer service or a qualified service center for assistance
BLINKING 2x, stop (repeat)	OFF	Wires from garage door operator may be damaged One or both sensors are defective	Replace damaged or broken wires Contact customer service or a qualified service center for assistance
BLINKING 3x, stop (repeat)	ON	Safety sensor (receiver) is in direct sunlight	Change the position of the sensor
BLINKING 4x, stop (repeat)	ON	Safety sensor (source) is not transmitting One or both sensors are defective	Contact customer service or a qualified service center for assistance Contact customer service or a qualified service center for assistance

OPERATION

SETTING THE DOOR TRAVEL LIMITS

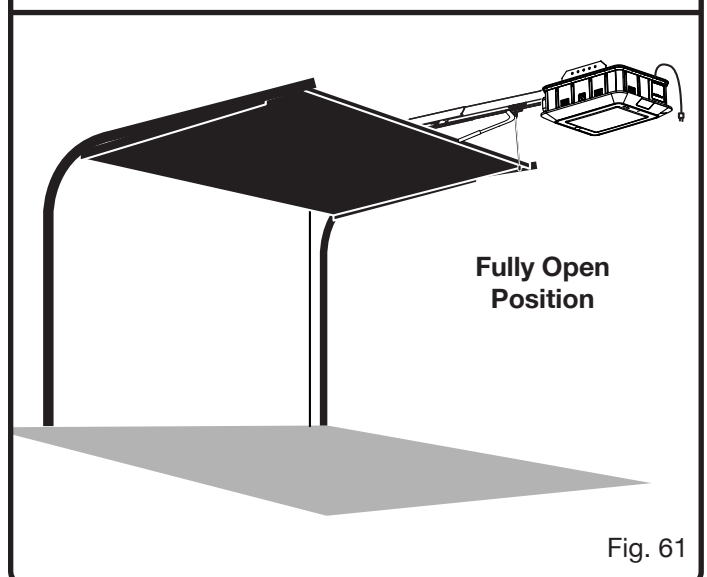
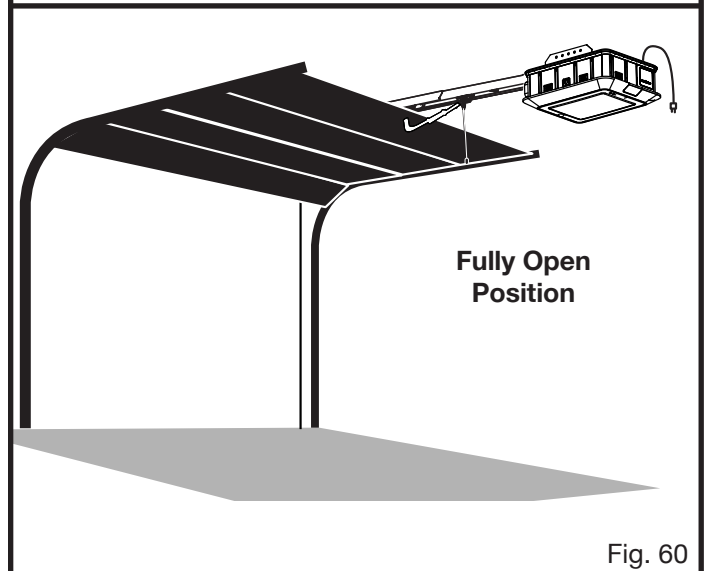
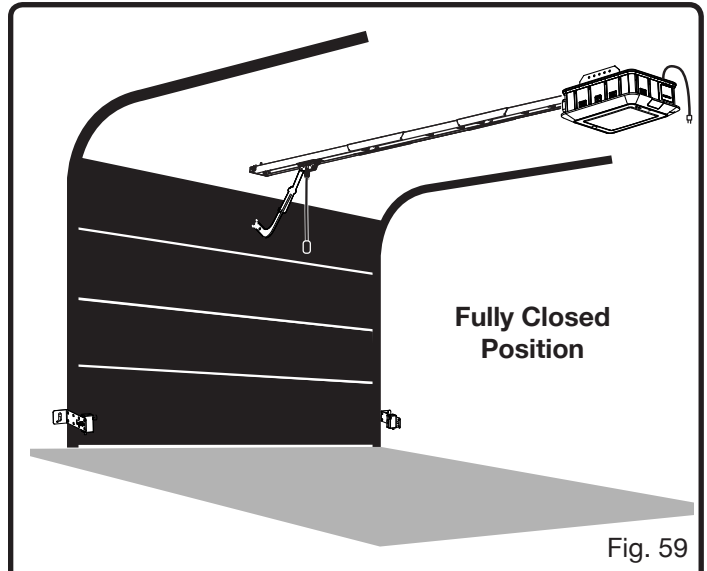
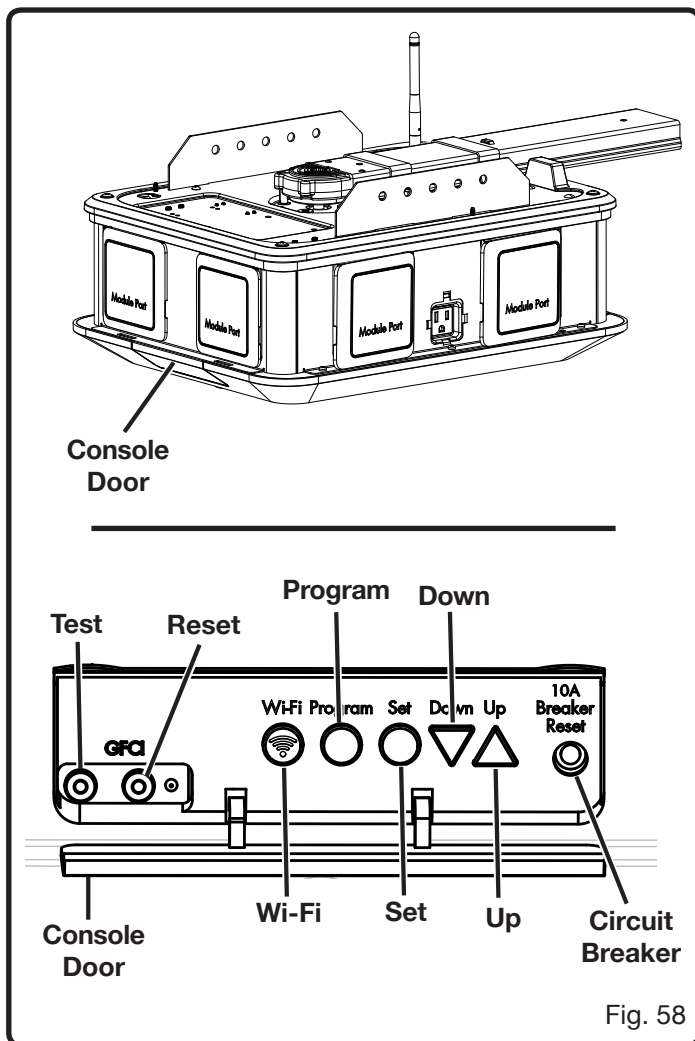
See Figures 58 - 65.

⚠ DANGER:

Ensure that the safety sensors are installed and working properly. Without the proper safety devices in place, a closing garage door could kill or seriously injure someone in its path.

The console on your garage door opener makes it easy to set the open and close positions of your door. The opener will automatically sense the weight of your door and provide the force required to open and close it.

When a garage door is fully closed, there shouldn't be any space between the door and the garage floor. When a door is fully open, it should provide enough clearance for vehicles to travel safely underneath it. Use caution when setting the open position for single-panel garage doors. If a single-panel door is opened so far that it begins to slant backwards, excessive bouncing and jerking may occur as the door moves, see figure 62.



OPERATION

NOTICE:

Do not open or close the garage door using the indoor keypad or remotes until the travel limits have been properly set. Doing so could cause severe damage to the garage door or the garage door operator.

Before setting the travel limit:

- Pull the emergency release rope down and manually open the garage door until the carriage (trolley) engages the bullet.

To set the travel limit for the open position:

- Open the console door.
- Press and hold the **UP** button for three seconds. After you release the button, it will begin blinking and continue blinking until the travel limit has been set.
- Press and hold the **UP** button to move the garage door to the open position.
- For fine adjustments, press and release the **UP** or **DOWN** buttons.
- Once the door is in the open position, press the **SET** button to store the travel limit. Once the travel limit is stored, the **UP** button will stop blinking and shine continuously.

To set the travel limit for the closed position:

- Open the console door.
- Press and hold the **DOWN** button for three seconds. After you release the button, it will begin blinking and continue blinking until the travel limit has been set.
- Press and hold the **DOWN** button to move the garage door to the closed position.
- For fine adjustments, press and release the **UP** or **DOWN** buttons.
- Once the door is in the closed position, press the **SET** button to program the travel limit. Once the travel limit is set, the **DOWN** button will stop blinking and shine continuously.

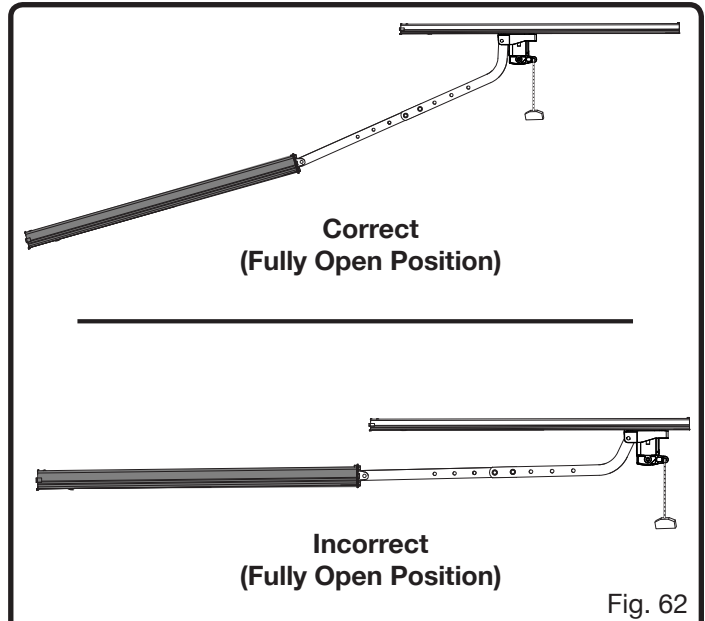


Fig. 62

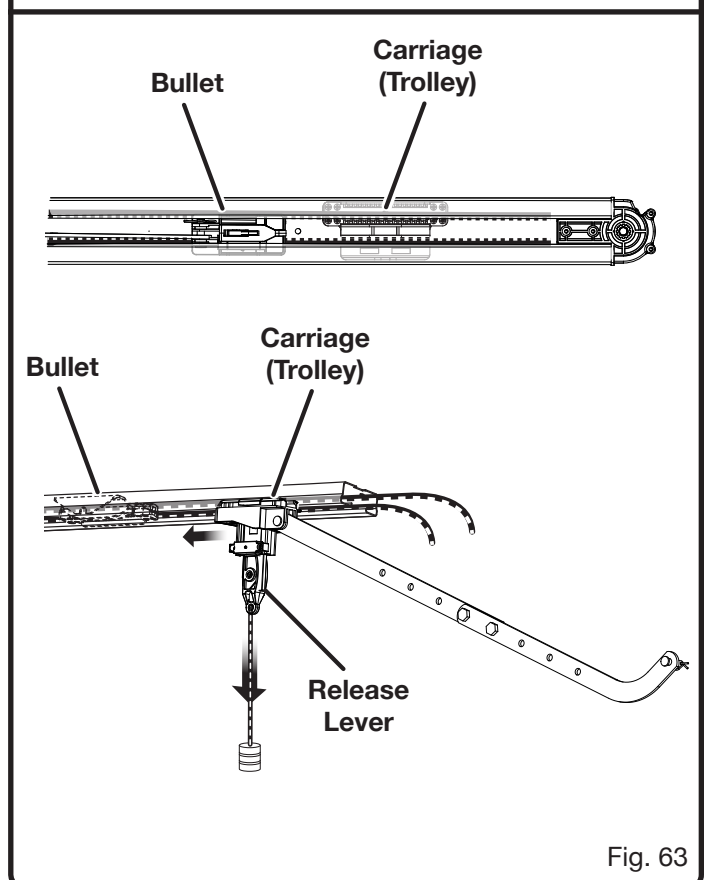


Fig. 63

OPERATION

To test the travel limits:

- Open the console door.
- Press and release the **UP** button and ensure that the door moves to the programmed open position. The button will blink as the door moves then shine continuously once the door is in the open position.
- Press and release the **DOWN** button to ensure that the door moves to the programmed down position. The button will blink as the door moves then shine continuously once the door is in the down position.

NOTE: After testing is complete, the light for both the **UP** and **DOWN** buttons will turn off.

- If the travel limits were set incorrectly, they can be cleared by pressing and holding the **SET** button for five seconds. The **UP** and **DOWN** buttons will blink two times indicating that the unit is ready to be reprogrammed.
- If you attempt to operate the garage door opener before setting the travel limits or after setting the travel limits incorrectly, a buzzer will sound once and the **UP** and **DOWN** buttons will blink seven times.
- If the safety sensors become misaligned during testing, a buzzer will sound twice and the **UP** and **DOWN** buttons will blink eleven times.

NOTE: To align the sensors, refer to **Aligning The Safety Sensors** earlier in this manual.

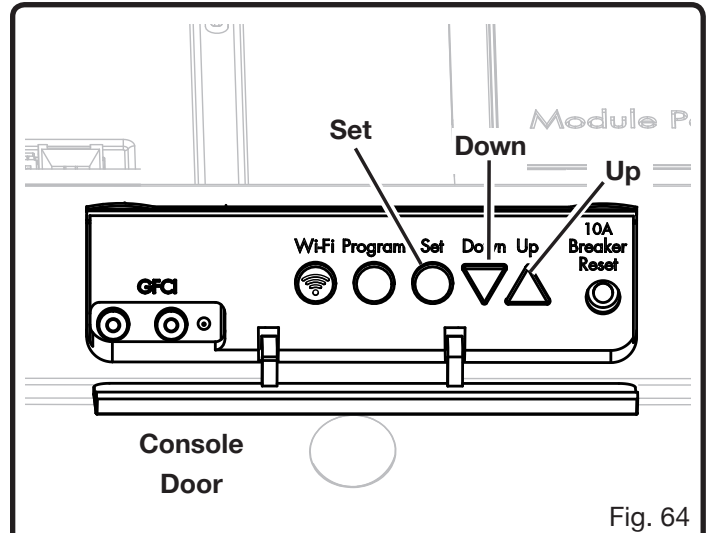


Fig. 64

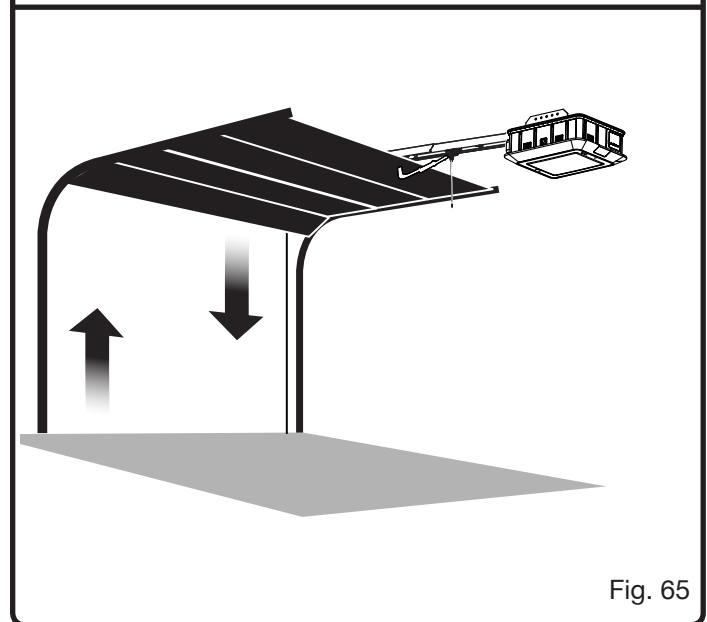


Fig. 65

OPERATION

TESTING THE AUTOMATIC REVERSAL SYSTEM

See Figure 66.

! DANGER:

Test the automatic reversal system every month and after any adjustments are made to the garage door travel limits. If the door contacts an object higher than 1-1/2 in. off the garage floor (approx. the size of a 2x4 laid flat), it should stop and reverse to the fully open position. If the automatic reversal system does not function properly, a closing garage door could kill or seriously injure someone in its path.

! WARNING:

DO NOT operate the garage door opener unless the automatic reversal system is working correctly. **Following this rule will reduce the risk of death or serious personal injury.**

- Press and release the **UP** button to raise the garage door.
- Place a 1-1/2 in. board (approx. the size of a 2x4 laid flat) on the garage floor beneath the door.
- Press and release the **DOWN** button to lower the garage door. When the door strikes the board, it should reverse direction immediately.
- If the garage door reverses direction after contacting the board, the reversal system is working properly and no adjustments are needed.
- If the garage door stops before striking the board or strikes the board and then stops, increase the travel limit for the closed position and repeat the test.
- If the automatic reversal system continues to fail, contact customer service or a qualified service technician for assistance.

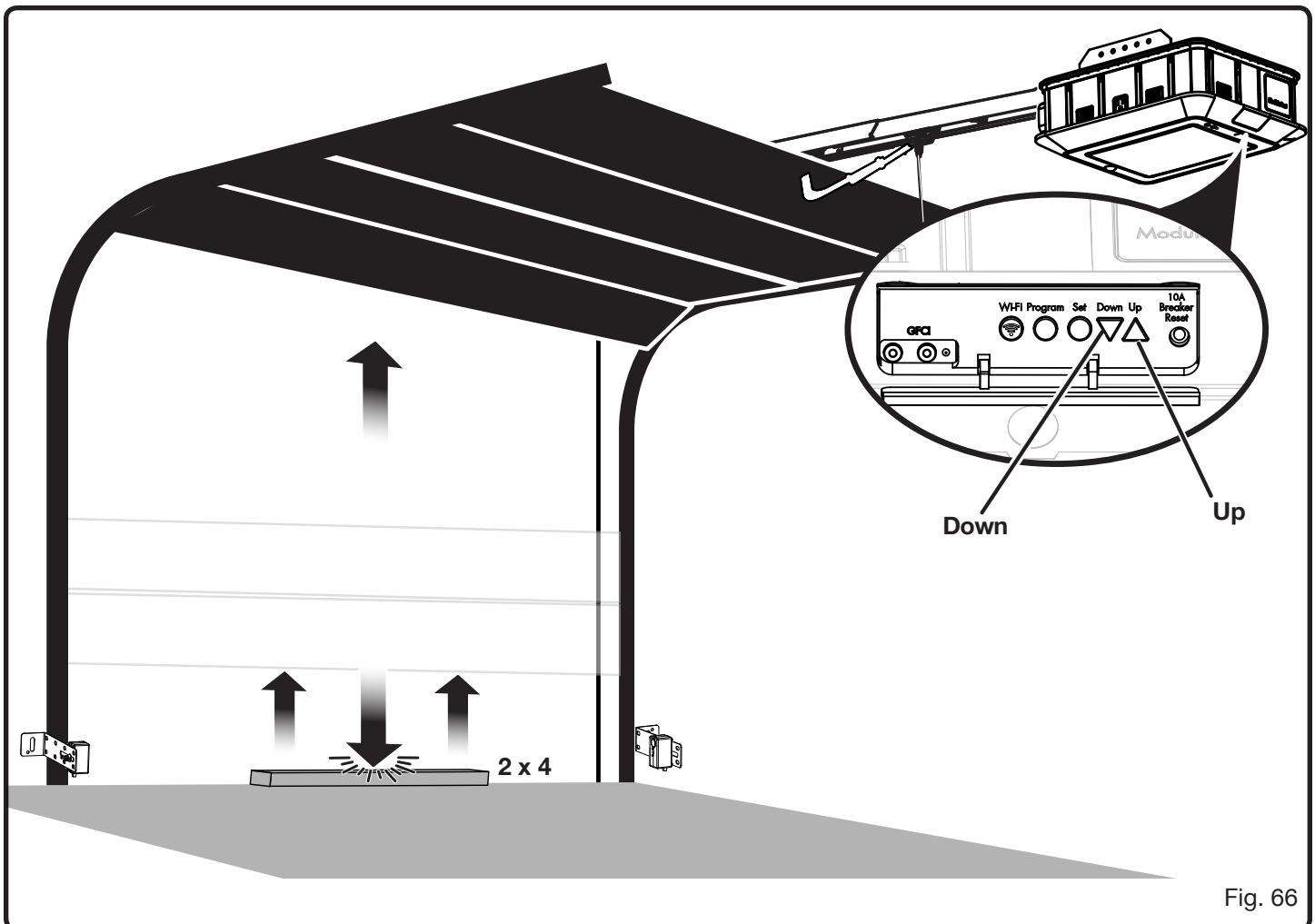


Fig. 66

OPERATION

USING THE INDOOR KEYPAD

See Figure 67.

- Install and wire the indoor keypad as described earlier in the *Installation* section.
- To raise or lower the garage door, press and release the **UP/DOWN** button.
- To lock or unlock a closed garage door, press and release the **LOCK** button. When the garage door is locked, it can only be controlled using the indoor keypad. A locked garage door cannot be opened or unlocked with a remote, outdoor keypad, or smart phone.
- To turn the LED light on and off, press and release the **LIGHT** button.

NOTE: When the light button is pressed, the LED lights will illuminate for four minutes.

Activating and Deactivating DC Module Ports:

- To activate a DC module port, press the number on the indoor keypad corresponding with the desired port. For example, to activate module port #1 press **NUMBER 1** on your keypad.

NOTE: Multiple ports can be activated at once.

- When a module port is activated, the corresponding number on the indoor keypad will light up and the port can be used to power DC modules.
- To deactivate a DC module port, press the number on the indoor keypad corresponding with the port.

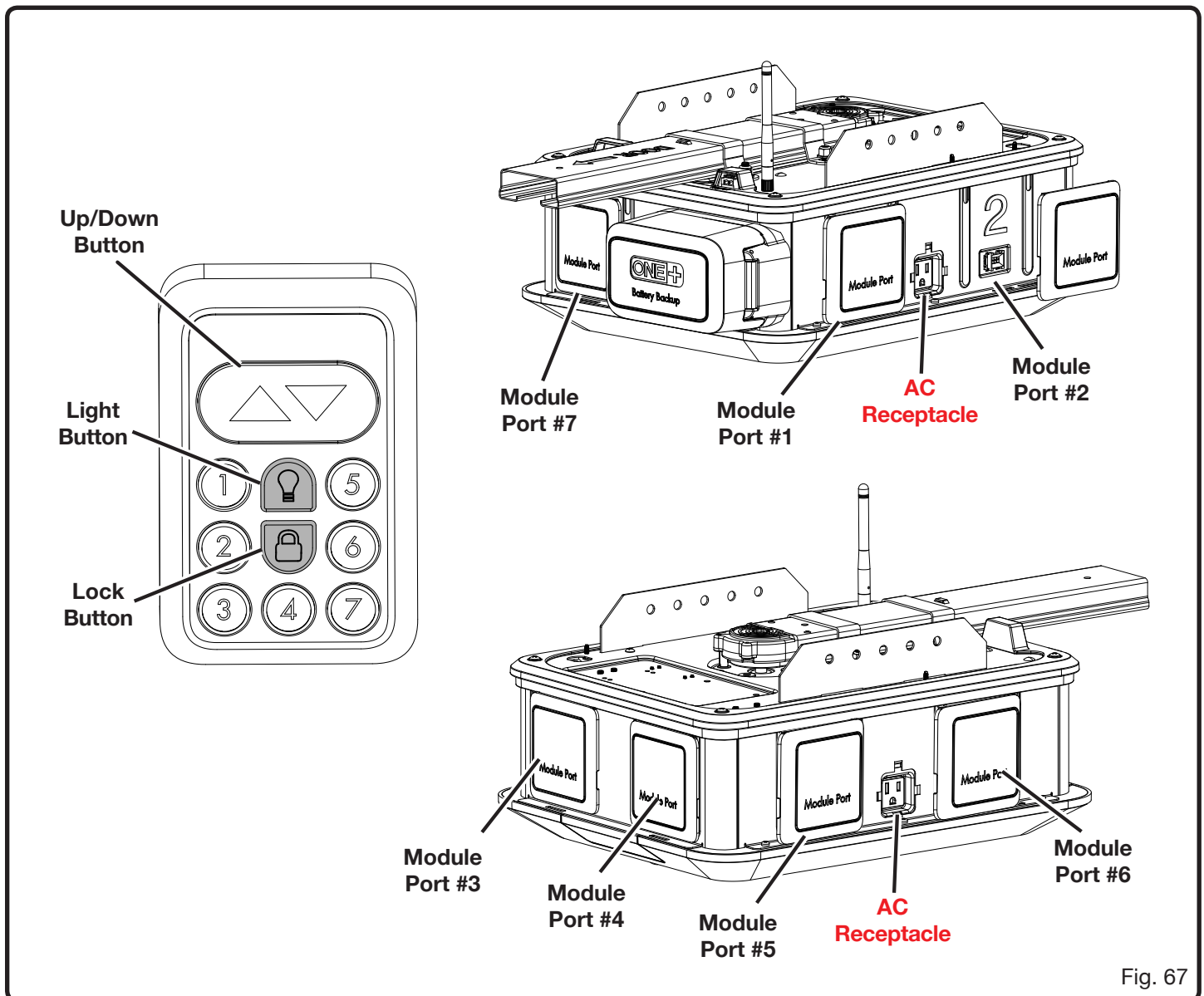


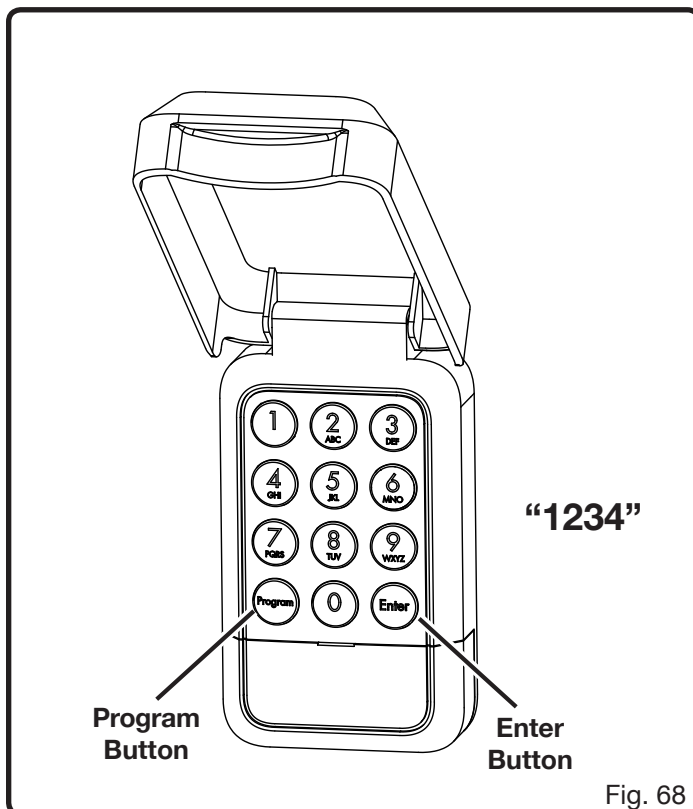
Fig. 67

OPERATION

PROGRAMMING THE OUTDOOR KEYPAD

See Figure 68 - 69.

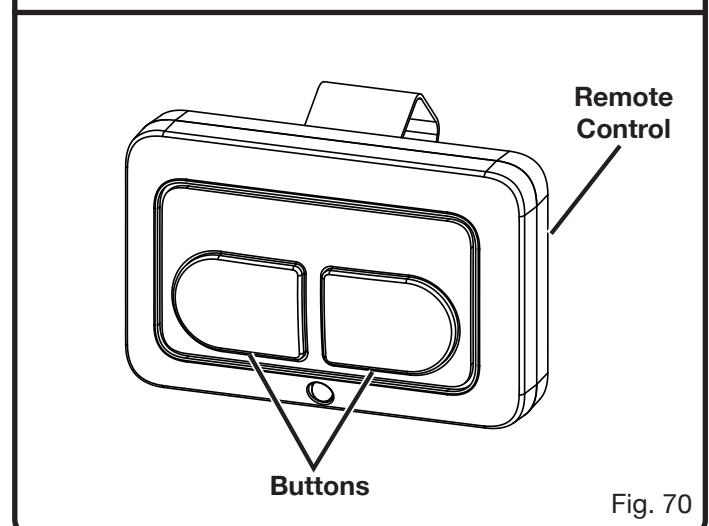
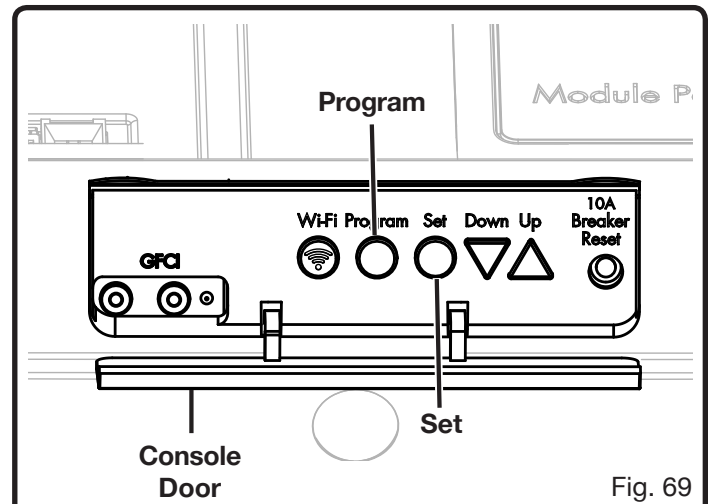
- Install outdoor keypad and battery as described earlier in the *Installation* section.
- Open the garage door.
- Open the cover on the outdoor keypad. Enter the default security code —**1234**—and press **ENTER**.
- If the code was entered successfully, the keypad will beep indicating that it is ready for you to enter a new security code.
- Enter your desired security code and press **ENTER**. The code must be 4 digits and must be entered within 30 seconds.
- If the code was entered successfully, the keypad will beep indicating that it is ready for you to confirm the new code. Enter the new security code and press **ENTER**.
- Press and hold the **SET** button on the garage door opener's console until the LED lights flash three times.
- Enter your security code into the keypad and press **PROGRAM**. If entered correctly, the LED lights on the garage door opener will flash three times to confirm that the keypad and opener are synced.
- After the keypad has been synced, enter your security code and press **ENTER** to open and close the garage door.



PROGRAMMING THE REMOTE CONTROLS

See Figure 69 - 70.

- Press and hold the **SET** button on the garage door opener's console until the LED lights flash three times.
- Press and hold either button on the remote control for three seconds to sync the button to the garage door opener. The LED lights on the garage door opener will flash three times to confirm that the button and the opener are synced.
- **NOTE:** The second button can be synced to another garage door opener.
- Repeat this process to sync the other remote.
- After the remote controls have been synced, press the left or right button on either remote control to open and close the garage door.
- Store the remotes on your car's visor using the visor clip.



MAINTENANCE

⚠ WARNING:

Before inspecting, cleaning or servicing the machine, lower the garage door, shut off motor, wait for all moving parts to stop, disconnect unit from power supply, and remove all modules. Failure to follow these instructions can result in serious personal injury or property damage.

⚠ WARNING:

When servicing, use only identical replacement parts. **Use of any other parts could create a personal injury hazard or cause product damage.**

⚠ WARNING:

Periodically inspect the entire product for damaged, missing, or loose parts such as screws, nuts, bolts, caps, etc. Tighten securely all fasteners and caps and do not operate this product until all missing or damaged parts are replaced. Please contact customer service or a qualified service center for assistance. **Loose, missing, or damaged parts can result in death, serious personal injury, or property damage.**

GENERAL MAINTENANCE

Avoid using solvents when cleaning plastic parts. Most plastics are susceptible to damage from various types of commercial solvents and may be damaged by their use. Use clean cloths to remove dirt, dust, oil, grease, etc.

⚠ WARNING:

Do not at any time let brake fluids, gasoline, petroleum-based products, penetrating oils, etc., come in contact with plastic parts. Chemicals can damage, weaken or destroy plastic which could result in serious personal injury.

POWER SUPPLY CORD REPLACEMENT

If replacement of the power supply cord is necessary, this must be done by an authorized service center in order to avoid a safety hazard.

PERIODIC MAINTENANCE SCHEDULE

Each Week	<ul style="list-style-type: none"> Check the garage door operator, rail, brackets, door arms, track, and rollers for loose or damaged parts. Replace or tighten as needed.
Each Month	<ul style="list-style-type: none"> Manually open and close the garage door. If the door does not move smoothly, binds, or is out of balance, have the garage door or door springs repaired by a qualified service person. Test the automatic reversal system as described in the <i>Installation</i> section.
Every 3 Months	<ul style="list-style-type: none"> Test the travel limits of the garage door, as described in the <i>Operation</i> section, and ensure it opens and closes fully. Check the condition of the power supply cord and battery pack. Replace as needed.
Each Year	<ul style="list-style-type: none"> Lubricate the garage door rollers and hinges. The garage door operator is lubricated with a sufficient amount of lubricant for the life of the unit under normal operating conditions. Therefore, no further lubrication of the operator is required. DO NOT ADD LUBRICANT TO TRACKS. Unplug the garage door operator and test the battery backup. If the unit cannot run on DC power alone, charge or replace the battery pack.

ACCESSORIES

Look for these accessories where you purchased this product or call 1-800-525-2579:

■ Garage Door Expander	GDE50
■ Bluetooth Speaker	GDM120
■ Dual Laser Park Assist	GDM222
■ Extension Cord Reel	GDM330
■ Security Camera	GDM610
■ Motion Detector	GDM623
■ Speed Control Fan	GDM421
■ Environmental Sensor	GDM920
■ Car Remote	GDA100
■ Safety Sensor	GDA200
■ Outdoor Keypad	GDA300



WARNING:

Current attachments and accessories available for use with this product are listed above. Do not use any attachments or accessories not recommended by the manufacturer of this product. The use of attachments or accessories not recommended can result in serious personal injury.

TROUBLESHOOTING

PROBLEM	POSSIBLE CAUSE	SOLUTION
Garage door opener does not activate when indoor keypad is pressed	Battery is low in charge or power supply not connected	Charge the battery or connect to power supply
	Garage operator is locked	Press the LOCK button on the indoor keypad to unlock the operator
	The wire connecting the keypad to the operator has been damaged	Replace damaged or broken wires
Garage door operator activates, but the garage door does not move	Circuit breaker is tripped	Reset circuit breaker
	The carriage (trolley) is not engaged with the bullet	Pull the emergency release rope and raise the garage door until the carriage (trolley) engages the bullet
	The door arms are not connected to the carriage (trolley)	Secure the door arms to the carriage (trolley) using clevis and hitch pin
Garage door cannot be opened or closed with remote control, smart phone, or outdoor keypad	The door arms are not connected to the garage door	Secure the door arms to the garage door using clevis and hitch pin
	The garage door is locked	Press the LOCK button on the indoor keypad to unlock the operator
Garage door begins to close then stops and reverses	The travel limits have been set incorrectly	Adjust the travel limits as described in the <i>Operation</i> section
	The safety sensors are out of alignment	Align the safety sensors
	The safety sensors are obstructed	Remove all objects between the safety sensors
	The garage door is damaged	Check the condition of the door. If the door does not move smoothly, binds, or is out of balance, have the garage door or door springs repaired by a qualified service person.
Garage door moves downward, but stops before closing completely	The open travel limit has been set incorrectly	Adjust the travel limit as described in the <i>Operation</i> section
Garage door moves upward, but stops before opening completely	The close travel limit has been set incorrectly	Adjust the travel limit as described in the <i>Operation</i> section
Garage door operator is loud or noisy	Fasteners may not be tightened securely	Inspect the entire product for loose parts such as screws, nuts, bolts, caps, etc. Tighten all parts securely
	The open travel limit has been set incorrectly (Single Panel Doors Only)	Adjust the travel limits as described in the <i>Operation</i> section
AC modules not working	AC power supply is disconnected	Connect AC power supply
	GFCI is tripped	Press the reset button on the console

WARRANTY

LIMITED WARRANTY STATEMENT

One World Technologies, Inc., warrants to the original retail purchaser that this RYOBI™ brand garage door opener is free from defect in material and workmanship and agrees to repair or replace, at One World Technologies, Inc.'s discretion, any defective product free of charge within these time periods from the date of purchase.

Garage Door Operator/Gearbox/Rails/Door Arms

- Three year limited warranty

Motor/Belt

- Lifetime limited warranty

Sensors/Remotes/Keypads

- One year limited warranty

This warranty extends to the original retail purchaser only and commences on the date of the original retail purchase.

Any part of this product manufactured or supplied by One World Technologies, Inc., and found in the reasonable judgment of One World Technologies, Inc., to be defective in material or workmanship will be repaired or replaced without charge for parts and labor by a RYOBI™ Authorized Service Center.

The product, including any defective part, must be returned to a RYOBI™ Authorized Service Center within the warranty period. The expense of delivering the product to the service center for warranty work and the expense of returning it back to the owner after repair or replacement will be paid by the owner. One World Technologies, Inc.'s responsibility in respect to claims is limited to making the required repairs or replacements and no claim of breach of warranty shall be cause for cancellation or rescission of the contract of sale of any RYOBI™ brand product. Proof of purchase will be required to substantiate any warranty claim. All warranty work must be performed by a RYOBI™ Authorized Service Center.

This warranty does not cover any product that has been subject to misuse, neglect, negligence, or accident, or that has been operated in any way contrary to the operating instructions as specified in the operator's manual. This warranty does not apply to any damage to the product that is the result of improper maintenance or to any product that has been altered or modified so as to adversely affect the product's operation, performance or durability or that has been altered or modified so as to change its intended use. The warranty does not extend to repairs made necessary by normal wear or by the use of parts or accessories which are either incompatible with the RYOBI™ brand garage door opener or adversely affect its operation, performance or durability.

In addition, this warranty does not cover:

- A. Wear items - XXXXXXXXXXXXXXXXXXXXXXXXXXXXXXXXXX
XX

One World Technologies, Inc., reserves the right to change or improve the design of any RYOBI™ brand garage door opener without assuming any obligation to modify any product previously manufactured.

ALL IMPLIED WARRANTIES ARE LIMITED IN DURATION TO THE STATED WARRANTY PERIOD. ACCORDINGLY, ANY SUCH IMPLIED WARRANTIES INCLUDING MERCHANTABILITY, FITNESS FOR A PARTICULAR PURPOSE, OR OTHERWISE, ARE DISCLAIMED IN THEIR ENTIRETY AFTER THE EXPIRATION OF THE STATED THREE-YEAR OR 90-DAY EXPRESS WARRANTY PERIOD. ONE WORLD TECHNOLOGIES, INC.'S OBLIGATION UNDER THIS WARRANTY IS STRICTLY AND EXCLUSIVELY LIMITED TO THE REPAIR OR REPLACEMENT OF DEFECTIVE PARTS AND ONE WORLD TECHNOLOGIES, INC., DOES NOT ASSUME OR AUTHORIZE ANYONE TO ASSUME FOR THEM ANY OTHER OBLIGATION. SOME STATES DO NOT ALLOW LIMITATIONS ON HOW LONG AN IMPLIED WARRANTY LASTS, SO THE ABOVE LIMITATION MAY NOT APPLY TO YOU. ONE WORLD TECHNOLOGIES, INC., ASSUMES NO RESPONSIBILITY FOR INCIDENTAL, CONSEQUENTIAL OR OTHER DAMAGES INCLUDING, BUT NOT LIMITED TO EXPENSE OF RETURNING THE PRODUCT TO AN AUTHORIZED RYOBI™ SERVICE CENTER AND EXPENSE OF DELIVERING IT BACK TO THE OWNER, MECHANIC'S TRAVEL TIME, TELEPHONE OR TELEGRAM CHARGES, RENTAL OF A LIKE PRODUCT DURING THE TIME WARRANTY SERVICE IS BEING PERFORMED, TRAVEL, LOSS OR DAMAGE TO PERSONAL PROPERTY, LOSS OF REVENUE, LOSS OF USE OF THE PRODUCT, LOSS OF TIME, OR INCONVENIENCE, SOME STATES DO NOT ALLOW THE EXCLUSION OR LIMITATION OF INCIDENTAL OR CONSEQUENTIAL DAMAGES, SO THE ABOVE LIMITATION OR EXCLUSION MAY NOT APPLY TO YOU.

This warranty gives you specific legal rights, and you may also have other rights which vary from state to state.

This warranty applies to all RYOBI™ brand garage door opener distributed by One World Technologies, Inc., and sold in the United States, Mexico, and Canada.

To locate your nearest RYOBI™ Authorized Service Center, dial 1-800-860-4050 or log on to our website at www.ryobitools.com.



OPERATOR'S MANUAL / GARAGE DOOR OPENER
MANUEL D'UTILISATION / GARAGE DOOR OPENER
MANUAL DEL OPERADOR / GARAGE DOOR OPENER
GD200

To request service, purchase replacement parts,
locate an Authorized Service Center and obtain Customer or Technical Support:

Visit **www.ryobitools.com** or call **1-800-525-2579**

If any parts or accessories are damaged or missing,
do not return this product to the store. Call **1-800-525-2579** for immediate service.

Please obtain your model and serial number from the product data plate.

MODEL NUMBER _____ SERIAL NUMBER _____

RYOBI is a registered trademark of Ryobi Limited and is used pursuant to a license granted by Ryobi Limited.

Pour faire une demande de réparations ou obtenir des pièces de rechange, trouver un
Centre de réparations agréé pour obtenir un soutien technique ou le Service à la clientèle :

Visiter **www.ryobitools.com** ou en téléphonant au **1-800-525-2579**

Si des pièces ou accessoires sont manquantes ou endommagées, ne pas retourner
ce produit au magasin. Appeler immédiatement au **1-800-525-2579** pour obtenir de l'aide.

Inscrire les numéros de modèle et de série inscrits sur la plaque d'identification du produit.

NUMÉRO DE MODÈLE _____ NUMÉRO DE SÉRIE _____

RYOBI est une marque déposée de Ryobi Limited et est utilisée en vertu d'une licence accordée par Ryobi Limited.

Para obtener servicio, comprar piezas de repuesto, localizar un centro de servicio autorizado
y obtener Servicio o Asistencia Técnica al Consumidor:

Visite **www.ryobitools.com** o llame al **1-800-525-2579**

Si hay alguna pieza ou accesorios dañada o faltante, no devuelva este producto a la tienda.
Llame al **1-800-525-2579** para servicio técnico inmediato.

Obtenga su modelo y número de serie de la placa de datos del producto.

NÚMERO DE MODELO _____ NÚMERO DE SERIE _____

RYOBI es una marca registrada de Ryobi Limited y se utiliza conforme a una licencia otorgada por Ryobi Limited.

ONE WORLD TECHNOLOGIES, INC.

1428 Pearman Dairy Road, Anderson, SC 29625 • Phone 1-800-525-2579
États-Unis, Téléphone 1-800-525-2579 • USA, Teléfono 1-800-525-2579

www.ryobitools.com