



MODEL 7000E 390 cc Generator

Item # 56682
Owner's Manual
Manual del Propietario



Questions? Problems?
Please call our customer help line:

(800) 232-1195 M-F 8-5 CST

FEATURES

- 7000 Surge Watt Output
- 5500 Rated Watt Output
- Powerful Enough to Run Essential Appliances During Power Outages
- 120 and 240 Volt AC Outputs
- Low Oil Automatic Shutoff
- Circuit Breaker for Overload Protection
- 6.5 Gallon Fuel Tank Capacity
- Digital Engine Hour Counter
- Electric Starter
- Cigarette Lighter Style 12V DC Outlet
- Spark Arrester
- Meets EPA Emission Standards

GENERATOR IDENTIFICATION

For information and questions, please contact the Customer Service Help Line by calling **800-232-1195**. Certain information will be requested by the Customer Service Representative and to facilitate that, please fill in the information below.

Refer to the illustration below for the location of Serial Number. Record generator information in the spaces provided below.

DATE OF PURCHASE: _____

PURCHASED FROM: _____

GENERATOR MODEL NUMBER: _____

ENGINE SERIAL NUMBER: _____



ENGINE SERIAL NUMBER

SERVICE RECORD

Record Service Dates:

	Date	Date	Date	Date	Date	Date
Oil Change						
Change spark plug						
Clean Fuel Tank						
Clean Filter Cup						
Clean Air Cleaner						

TABLE OF CONTENTS

GENERATOR IDENTIFICATION	i
SERVICE RECORD	i
INTRODUCTION	1
SAFETY INFORMATION.....	2
GENERAL SAFETY PROCEDURES.....	3
IMPORTANT SAFETY INSTRUCTIONS	5
PACKAGE CONTENTS	6
GENERATOR COMPONENTS.....	7
ASSEMBLY	8
GENERATOR PREPARATION	11
Using the Generator for the First Time	11
Step 1 - Fill Oil.....	11
Step 2- Add Gasoline.....	12
Step 3- Ground the Generator.....	13
Step 4- Connect the Battery.....	14
STARTING THE GENERATOR.....	15
SUBSEQUENT STARTING OF THE GENERATOR.....	17
Step 1- Check the Oil	17
Step 2 – Check the Gas Level.....	17
Step 3- Ground the Generator.....	18
USING THE GENERATOR	19
AC Usage.....	19
DC Usage.....	22
STOPPING THE GENERATOR	23
MAINTENANCE / CARE	24
Cleaning the Generator	24
Checking the Oil.....	24
Changing/ Adding Oil	25
Air Cleaner Maintenance.....	26
Fuel Filter Cup Cleaning	26
Spark Plug Maintenance.....	27
Draining the Fuel Tank.....	27
STORAGE / TRANSPORT PROCEDURES	28
SPECIFICATIONS	29
TROUBLESHOOTING.....	30
EXPLODED VIEW AND PARTS LIST.....	31
WIRING DIAGRAM.....	35
WARRANTY STATEMENT	37

INTRODUCTION

Thank You for Purchasing a WEN Power™ Product.

This manual provides information regarding the safe operation and maintenance of this product. Every effort has been made to ensure the accuracy of the information in this manual. WEN Power™ reserves the right to change this product and specifications at any time without prior notice.

Please keep this manual available to all users during the entire life of the generator.

Special Messages

This manual contains special messages to bring attention to potential safety concerns, generator damage as well as helpful operating and servicing information. Please read all the information carefully to avoid injury and machine damage.



Questions? Problems?

In order to answer questions and solve problems in the most efficient and speedy manner, contact Customer Service at:

(800) 232-1195 M-F 8-5 CST

NOTICE REGARDING EMISSIONS

Engines that are certified to comply with U.S. EPA emission regulations for SORE (Small Off Road Equipment), are certified to operate on regular unleaded gasoline, and may include the following emission control systems: (EM) Engine Modifications and (TWC) Three-Way Catalyst (if so equipped).

SAFETY INFORMATION

Before operating this generator read and observe all warnings, cautions, and instructions on this sheet, on the generator, and in the Owner's Manual.

NOTE: The following safety information is not meant to cover all possible conditions and situations that may occur. Read the entire Owner's Manual for safety and operating instructions. Failure to follow instructions and safety information could result in serious injury or death.

This safety alert symbol is used to identify safety information about hazards that can result in personal injury.



A signal word (**DANGER**, **WARNING**, or **CAUTION**) is used with the alert symbol to indicate the likelihood and the potential severity of injury. In addition, a hazard symbol may be used to represent the type of hazard.



DANGER indicates a hazard, which, if not avoided, **will result in death or serious injury**.



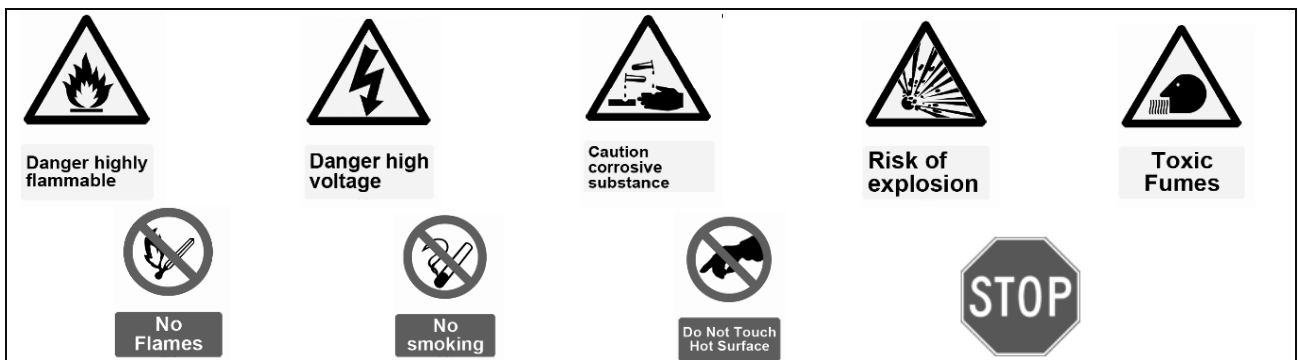
WARNING indicates a hazard, which, if not avoided, **could result in death or serious injury**.



CAUTION indicates a hazard, which, if not avoided, **might result in minor or moderate injury**.

CAUTION, when used **without** the alert symbol, indicates a situation that **could result in damage to the engine or generator**.

SAFETY SYMBOLS AND MEANINGS



GENERAL SAFETY PROCEDURES



For any questions regarding the hazard and safety notices listed in this manual or on the product, please call (800) 232-1195 M-F 8-5 CST before using the generator.



DANGER: CARBON MONOXIDE. Using a generator indoors **CAN KILL YOU IN MINUTES.**

Generator exhaust contains carbon monoxide (CO). This is a poison gas you cannot see or smell. If you can smell the generator exhaust, you are breathing CO. But even if you cannot smell the exhaust, you could be breathing CO.

- NEVER use a generator inside homes, garages, crawlspaces, or other partly enclosed areas. Deadly levels of carbon monoxide can build up in these areas. Using a fan or opening windows and doors does NOT supply enough fresh air.
- ONLY use a generator outside and far away from windows, doors, and vents. These openings can pull in generator exhaust.

Even if you use a generator correctly, CO may leak into the home. ALWAYS use a battery-powered or battery-backup CO alarm in the home.

If you start to feel sick, dizzy, or weak after the generator has been running, move to fresh air RIGHT AWAY. See a doctor. You may have carbon monoxide poisoning.



WARNING: The exhaust from this product contains chemicals known to the State of California to cause cancer, birth defects, or other reproductive harm.



Risk of explosion



Danger highly flammable



No Flames



No smoking

WARNING: This generator may emit highly flammable and explosive gasoline vapors, which can

cause severe burns or even death, if ignited. A nearby open flame can lead to explosion even if not directly in contact with gasoline.

- Do not operate near open flame.
 - Do not smoke near generator.
 - Always operate on a firm, level surface.
 - Always turn generator off before refueling. Allow generator to cool for at least 2 minutes before removing fuel cap. Loosen cap slowly to relieve pressure in tank.
 - Do not overfill fuel tank. Gasoline may expand during operation. Do not fill to the top of the tank. Allow for expansion.
 - Always check for spilled fuel before operating.
 - Empty fuel tank before storing or transporting the generator.
 - Before transporting, turn fuel valve to off and disconnect spark plug cap.
-



Danger high voltage

WARNING: This generator produces powerful voltage, which can result in electrocution.

- **ALWAYS** ground the generator before using it (see the “Ground the Generator” portion of the “GENERATOR PREPARATION” section).
- Generator should only be plugged into electrical devices, either directly or with an extension cord. **NEVER** connect to a building electrical system without a qualified electrician. Such connections must comply with local electrical laws and codes. Failure to comply can create a back-feed, which may result in serious injury or death to utility workers.
- Use a ground fault circuit interrupter (GFCI) in highly conductive areas such as metal decking or steel work. GFCIs are available in-line with some extension cords.
- Do not use in rainy conditions.
- Do not touch bare wires or receptacles (outlets).
- Do not allow children or non-qualified persons to operate.



Do Not Touch Hot Surface

WARNING: This generator produces heat when running. Temperatures near exhaust can exceed 150° F (65° C).

- Do not touch hot surfaces. Pay attention to warning labels on the generator identifying hot parts of the machine.
- Allow generator to cool down after use before touching engine or areas of the generator that become hot during use.

CAUTION: Misuse of this generator can damage it or shorten its life.

- Use generator only for its intended purposes.
 - Operate only on dry, level surfaces.
 - Allow generator to run for several minutes before connecting electrical devices.
 - Shut off and disconnect any malfunctioning devices from generator.
 - Do not exceed the wattage capacity of the generator by plugging in more electrical devices than the unit can handle.
 - Do not turn on electrical devices until *after* they are connected to the generator.
 - Turn off all connected electrical devices before stopping the generator.
 - Turn engine switch to “off” position when the engine is not running.
-

IMPORTANT SAFETY INSTRUCTIONS

- **SAVE THESE INSTRUCTIONS** – This manual contains important instructions for WEN Power 7000E generator that should be followed during installation and maintenance of the generator.
- Generators vibrate in normal use. During and after the use of the generator, inspect the generator as well as extension and power supply cords connected to it for damage resulting from vibration. Have damaged items repaired or replaced as necessary. Do not use plugs or cords that show signs of damage such as broken or cracked insulation or damaged blades.
- For power outages, permanently installed stationary generators are better suited for providing backup power to the home. Even a properly connected portable generator can become overloaded. This may result in overheating or stressing the generator components, possibly leading to a generator failure.
- **WARNING:** When this generator is used to supply a building wiring system: Generator must be installed by a qualified electrician and connected to a transfer switch as a separately derived system in accordance with the National Electrical Code, NFPA 70. The generator shall be connected to a transfer switch that switches all conductors other than the equipment grounding conductor. The frame of the generator shall be connected to an approved grounding electrode.

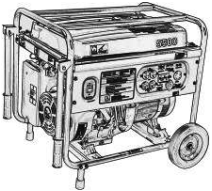
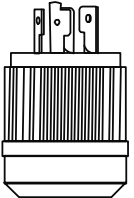


In addition to the previous safety notices, please become familiar with the safety and hazard markings on the generator.

PACKAGE CONTENTS

Your generator comes with the items listed below. Please check to see that all of the following items are included with your generator.

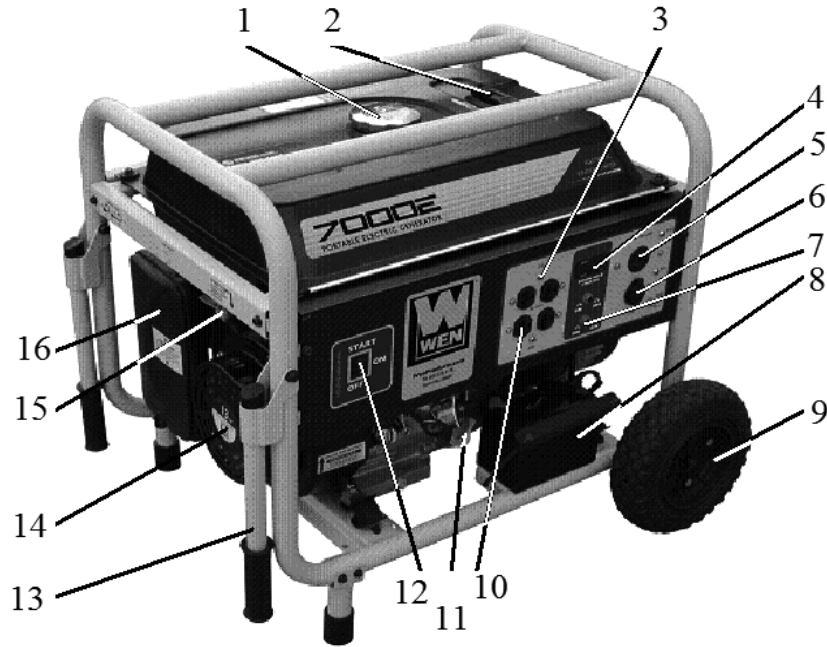


If there are any damaged or missing items, please call (800) 232-1195 M-F 8-5 CST for customer service.

	Generator
	L14-30 Plug for Connecting 240Volt Electrical Devices
	Spark Plug Wrench
	Wrenches
	Mobility Kit

GENERATOR COMPONENTS

Please familiarize yourself with the locations and functions of the various components and controls of your generator.



- (1) **Fuel Cap**- Access to the fuel tank for adding fuel.
- (2) **Fuel Gauge**- Indicates the amount of fuel in the tank.
- (3) **Power Indicator**-Green lights that turn on to indicate the output of power to each receptacle.
- (4) **Digital Engine hour counter**
- (5) **240/120 Volt AC Receptacle**- To connect electrical devices that run 120 and/or 240 Volt, 60 Hz, single phase, AC current.
- (6) **12V Cigarette lighter Style DC Receptacle**
- (7) **Circuit Reset Buttons**- Reset buttons that protect the generator from electrical overload.
- (8) **12V Battery**
- (9) **10" Never Flat Wheels**- For easy transport.
- (10) **120 Volt AC Duplex Receptacle**- To connect electrical devices that run 120 Volt, 60 Hz, single phase, AC current.
- (11) **Oil Fill and Dipstick**- Location for checking and filling engine oil.
- (12) **Engine Switch**- Used to start/stop engine.
- (13) **Handles**- For easy transport.
- (14) **Recoil Starter**- Pull-cord for starting engine.
- (15) **Fuel Valve**- Allows fuel to enter engine.
- (16) **Air Cleaner**- a removable, cleanable, sponge-like element that limits the amount of dirt pulled into the engine.

ASSEMBLY

In order to best protect the generator while in the package, this product comes with some components disassembled. Please complete the following assembly steps before proceeding to use the generator. For ease of assembly, we recommend attaching the components in the order listed in this manual.

If after reading this section, you are unsure about how to perform any of the steps, please call (800) 232-1195 M-F 8-5 CST for customer service.



WARNING: This generator is heavy. Some assembly procedures may require lifting equipment or two people.

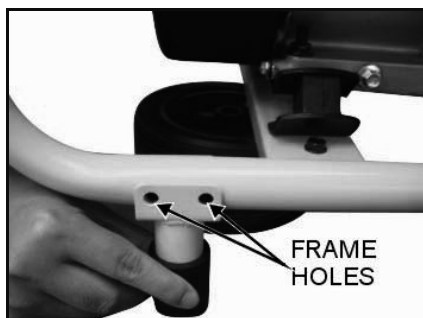
Attach Feet

To attach the feet to the generator, perform the following steps:

1. Stack the two generator wheels on top of each other. Lift the end of the generator that has the recoil starter onto the stack of wheels (see figure 1). Be careful not to obstruct any holes on the generator frame.
2. Place one leg onto the frame as shown in figure 2. Line up the holes on the generator frame with the holes on the bracket portion of the leg. Tighten using two M6x40 bolts, two M6 nuts, and the included wrench.
3. Repeat step 2 for the other generator leg.



Figure 1- Stacking the wheels



a



b

Figure 2- foot assembly

Attach Handles

The handles attach to the generator frame on the same side as the recoil starter (Left side when facing control panel). To attach the handles to the generator frame, perform the following steps:

1. Take one handle and line up the holes in the handle bracket with the holes on the generator frame.
2. Slide a bolt through the holes in the handle and generator frame to hold the handle onto the frame.
3. Secure the bolt in place with a nut.
4. Repeat steps 1-3 for the other handle.

At this point, gently remove the two wheels from underneath the generator.



Figure 3- handle assembly

Attach Wheels

To attach the wheels to the generator, perform the following steps:

1. Find a wood block or similar item that is 3 inches thick or greater and rest the exhaust end of the generator on the block as shown in figure 4.
2. Take one wheel shaft, and one M12 nut as shown. Slide the wheel shaft, with the threaded part facing inward, through the frame. Secure using an M12 nut and the included wrench as shown in figure 5.
3. Slide the wheel onto the axle and secure in place using a large cotter pin as shown in figure 6. Spread the pin legs apart slightly to help secure the pin in place.
4. Repeat steps 2 and 3 for the other wheel.

At this point, the generator assembly is complete. Gently remove the generator from the wood block.

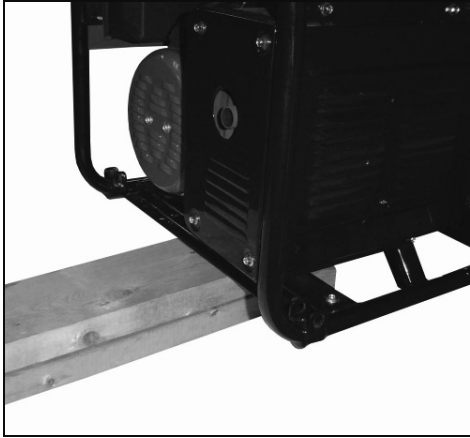


Figure 4- supporting the generator

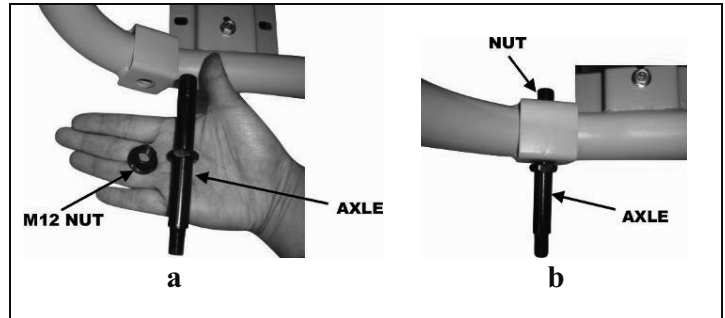
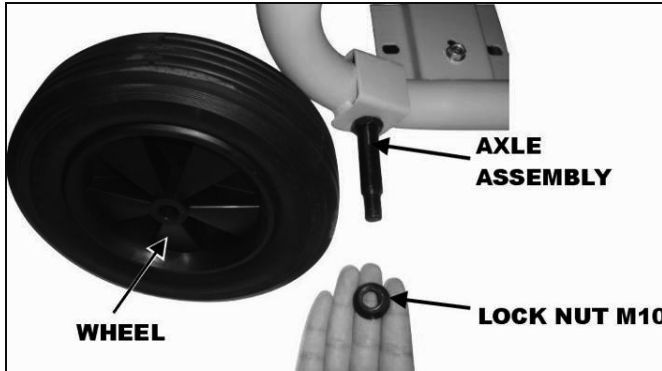
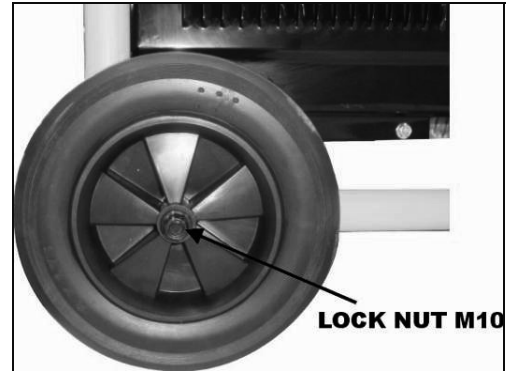


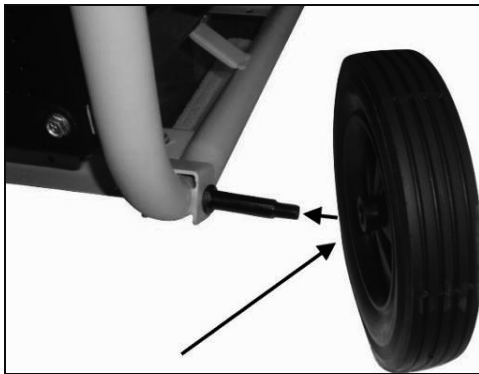
Figure 5- axle assembly



a



b




c

⚠ CAUTION: Only this side toward AXLE.

Figure 6- wheel installation

GENERATOR PREPARATION

Using the Generator for the First Time

 *The following section describes steps necessary to prepare the generator for use. If after reading this section, you are unsure about how to perform any of the steps please call (800) 232-1195 M-F 8-5 CST for customer service. Failure to perform these steps properly can damage the generator or shorten its life.*

Step 1 - Fill Oil

The generator is shipped without oil. User must add the proper amount of oil before operating the generator for the first time. The oil capacity of the engine crankcase is 37 fluid oz.

Select good quality detergent oil bearing the American Petroleum Institute (API) service classifications SJ, SL, or SM. (Synthetic oils may be used.) Use the SAE viscosity grade of oil from the following chart that matches the starting temperature anticipated before the next oil changes.

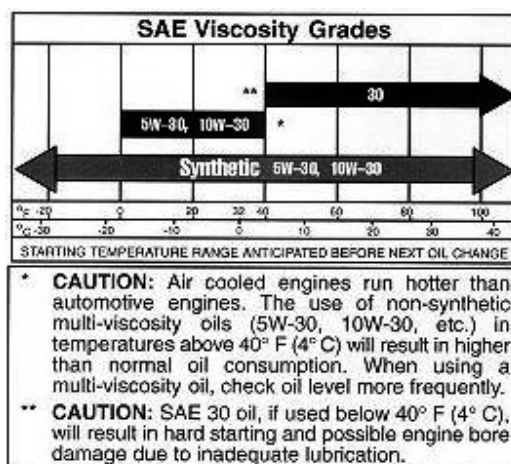


Figure 7- Engine oil recommendations

To fill oil to the crankcase, follow these steps:

1. Make sure the generator is on a level surface. **Tilting the generator to assist in filling will cause oil to flow into engine areas and will cause damage. Keep generator level!**
2. Remove the oil filler/dipstick cap from the engine as shown in figure 8.
3. Using a funnel, add the appropriate type and amount of oil into the crankcase. The crankcase is full when the oil level has reached the second thread from the lip of the opening (see figure 9).
4. Check for oil leaks. Reinstall oil filler cap before starting engine.

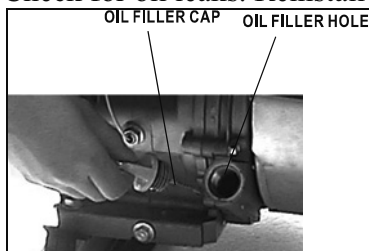


Figure 8- Unscrewing the oil cap

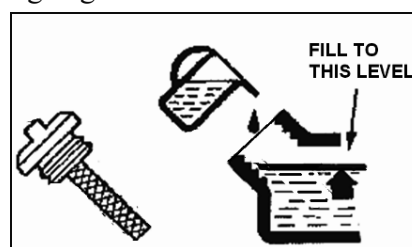


Figure 9- filling oil

Step 2- Add Gasoline



Danger highly flammable



Risk of explosion



No Flames



No smoking

WARNING: This generator may emit highly flammable and explosive gasoline vapors, which can cause severe burns or even death if ignited. A nearby open flame can lead to explosion even if not directly in contact with gasoline.

- Do not operate near open flame.
- Do not smoke near generator.
- Always operate on a firm, level surface.
- Always turn generator off before refueling. Allow generator to cool for at least 2 minutes before removing fuel cap. Loosen cap slowly to relieve pressure in tank.
- Do not overfill fuel tank. Gasoline may expand during operation. Do not fill to the top of the tank. Allow for expansion.
- Always check for spilled fuel before operating. Clean up any spilled fuel before starting.
- Empty fuel tank before storing or transporting the generator.
- Before transporting, turn fuel valve to off position and disconnect spark plug cap.

Use fresh (within 30 days from purchase), unleaded gasoline with a minimum 87 octane rating. Do not use gasoline which contains Methanol. Do not mix oil with gasoline.

To add gasoline, follow these steps:

1. Make sure the generator is on a level surface.
2. Unscrew gas cap and set aside (NOTE: the gas cap may be tight and hard to unscrew).
3. Slowly add unleaded gasoline to the fuel tank. Be careful not to overfill. Please refer to the chart in figure 10 to find the gas capacity of your generator model. The fuel gauge on the top of the generator indicates how much gasoline is in the generator gas tank. NOTE: **Do not fill the fuel tank to the very top.** Gasoline will expand and spill over during use even with the fuel cap in place.
4. Reinstall fuel cap and wipe off any spilled gasoline with a dry cloth.

IMPORTANT:

- Never use an oil/gasoline mixture.
- Never use old gas.
- Avoid letting dirt or water into the fuel tank.
- Gas can age in the tank and make it hard to start up the generator in the future. Never store generator for extended periods of time with fuel in the tank.

Model number	7000E
Gas tank capacity	25L (6.5 gallons)

Figure 10- Gas Tank Capacity

Step 3- Ground the Generator



WARNING: Failure to properly ground the generator can result in electrocution.

Ground the generator by tightening the grounding nut against grounding wire (see figure 11). A generally acceptable grounding wire is a No. 12 AWG (American Wire Gauge) stranded copper wire. This grounding wire should be connected at the other end to a copper or brass grounding rod that is driven into the earth. Wire and grounding rod are not included in generator contents.

Grounding codes can vary by location. Please contact a local electrician to check the grounding regulations for your area.

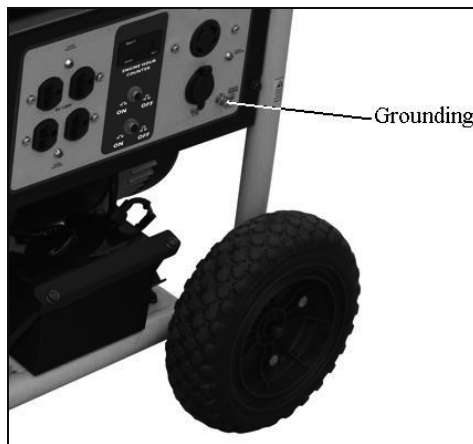


Figure 11- Grounding nut location

Step 4 – Connect the Battery



WARNING: Battery gives off explosive hydrogen gas.

- **Keep battery away from spark, flame, or cigarette.**
- **Do not connect or disconnect battery while generator is running.**
- **Service or use battery only in well ventilated areas.**



WARNING: Battery contains sulfuric acid. Battery acid is poisonous. Tilting the generator with the battery installed can cause battery acid to spill.

- **Wear protective clothing and eyewear when servicing battery.**
- **Keep out of reach of children.**
- **Do not tilt generator with battery installed.**
- **If battery acid gets on your skin, wash with water immediately.**
- **If battery acid gets in your eyes, flush with water for at least 15 minutes and call a doctor immediately.**

If battery acid is swallowed, drink a large amount of water or milk. Then drink milk of magnesia or vegetable oil. Call a doctor immediately.


The generator comes with the battery disconnected for safety. To use the electric start, the battery needs to be connected. To connect the battery:

1. Remove the protective covering from the free end of the negative battery cable. This cable is connected to the generator on the other end and is located in the vicinity of the battery.
2. Attach the free end of the negative cable to the battery and secure the connection.

NOTE: If you do not plan to use the generator for a long period of time, it is a good idea to disconnect the negative battery cable from the battery for storage. After disconnecting the cable, cover the free end with an insulator such as electrical tape.

NOTE: After completing the 4-step Generator Preparation, the generator is ready to be started.

STARTING THE GENERATOR

 *Before starting the generator, make sure you have read and performed the steps in the “Generator Preparation” section of this manual. If you are unsure about how to perform any of the steps in this manual please call (800) 232-1195 M-F 8-5 CST for customer service.*



Toxic
Fumes

DANGER: CARBON MONOXIDE. Using a generator indoors **CAN KILL YOU IN MINUTES.**

Generator exhaust contains carbon monoxide (CO). This is a poison gas you cannot see or smell. If you can smell the generator exhaust, you are breathing CO. But even if you cannot smell the exhaust, you could be breathing CO.

- NEVER use a generator inside homes, garages, crawlspaces, or other partly enclosed areas. Deadly levels of carbon monoxide can build up in these areas. Using a fan or opening windows and doors does NOT supply enough fresh air.
- ONLY use a generator outside and far away from windows, doors, and vents. These openings can pull in generator exhaust.

Even if you use a generator correctly, CO may leak into the home. ALWAYS use a battery-powered or battery-backup CO alarm in the home.

If you start to feel sick, dizzy, or weak after the generator has been running, move to fresh air RIGHT AWAY. See a doctor. You may have carbon monoxide poisoning.



Danger high
voltage

WARNING: This generator produces powerful voltage, which can result in electrocution.

- ALWAYS ground the generator before using it (see the “Ground the Generator” portion of the “GENERATOR PREPARATION” section).
- Generator should only be plugged into electrical devices, either directly or with an extension cord. NEVER connect to a building electrical system without a qualified electrician. Such connections must comply with local electrical laws and codes. Failure to comply can create a back-feed, which may result in serious injury or death to utility workers.
- Use a ground fault circuit interrupter (GFCI) in highly conductive areas such as metal decking or steel work. GFCIs are available in-line with some extension cords.
- Do not use in rainy or wet conditions.
- Do not touch bare wires or receptacles (outlets).
- Do not allow children or non-qualified persons to operate.



CAUTION: Disconnect all electrical loads from the generator before attempting to start.

Electric Start

To start the generator using the electric start function, perform the following steps:

1. Make sure no electrical devices are connected to the generator. Such devices can make it difficult for the engine to start.
2. Check that the generator is properly grounded (see Figure 11, “Ground the Generator”).
3. Check the oil and gas levels.
4. Turn the fuel valve to the “ON” position (see figure 12).
5. Move the choke lever to the “Start” position (see figure 13).
6. Set the engine switch to the “ON” position.
7. Press the engine switch to the “START” position for 2-3 seconds or until the engine starts.
NOTE: If the engine does not start after 2-3 seconds, release the switch from the start position. Keeping the switch in the START position too long can damage the starter.
8. If engine fails to start, wait 10 seconds, then repeat step 7. NOTE: After repeated attempts to start the engine, please consult the troubleshooting guide before attempting again. If problems persist please call **(800) 232-1195 M-F 8-5 CST**.
9. Once the engine has started. Slowly move the choke lever all the way to the “Run” position.

Allow the generator to run for several minutes before attempting to connect any electrical devices.

Manual Start

To start your generator using the manual start function, perform the following steps:

1. No electrical devices should be connected to the generator during starting. Devices can make it difficult for the engine to start.
2. Check that the generator is properly grounded (see Figure 11 “Ground the Generator”).
3. Check the oil and fuel levels.
4. Turn the fuel valve to the “ON” position (see figure 12).
5. Move the choke lever to the “START” position (see figure 13).
6. Set the engine switch to the “ON” position.
7. Pull on the recoil starter handle slowly until a slight resistance is felt (see figure 14). Then pull quickly to start the engine. Return cord gently into the machine. Never allow the cord to snap back.
8. If engine fails to start, repeat step 7. NOTE: After repeated failed attempts to start the engine, please consult the troubleshooting guide before attempting again. If problems persist please call **(800) 232-1195 M-F 8-5 CST**.
9. Once the engine has started, **slowly** return the choke lever all the way to the “RUN” position.

Allow the generator to run for several minutes before attempting to connect any electrical devices. This allows the generator to stabilize its speed and temperature.

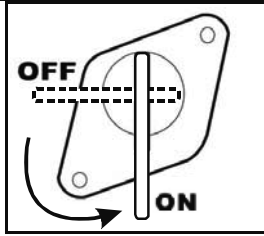


Figure 12- Fuel Valve in the “on” position

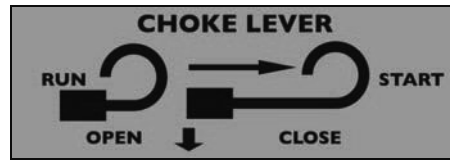


Figure 13- Pull choke out for closed position.
Push in for open position.



Figure 14- Pulling the start cord

SUBSEQUENT STARTING OF THE GENERATOR

If this is not the first time using the generator, user should take the following steps to prepare it for operation.

IMPORTANT: At this point the user should be familiar with the procedures described in the section titled “Using the Generator for the First Time.” If the user has not yet read this section, go back and read it now.

Step 1- Check the Oil

Oil consumption is normal during generator usage. The generator is equipped with a low-oil shutoff to protect it from damage. The oil level in the engine should be checked before each use to ensure that the engine crankcase contains sufficient lubricant.

To check or add oil, follow these steps:

1. Make sure the generator is on a level surface. Clean around oil fill.
2. Remove the oil filler/dipstick cap and check oil level.
3. If oil level is below the second thread from the lip of the oil fill opening, slowly add oil until the engine crankcase is filled.
4. Reinstall and tighten oil filler cap before starting the engine. .

Step 2 – Check the Gas Level

Before starting the generator, check to see that there is sufficient gasoline in the fuel tank. The fuel gauge on top of the generator will indicate the fuel level in the tank. Add gasoline if necessary but leave sufficient room in tank for expansion.



WARNING: This generator may emit highly flammable and explosive gasoline vapors, which can cause severe burns or even death if ignited. A nearby open flame can lead to explosion even if not directly in contact with fuel.

- Do not operate near open flame.
- Do not smoke near generator.
- Always operate on a firm, level surface.
- Always turn generator off before refueling. Allow generator to cool for at least 2 minutes before removing fuel cap. Loosen cap slowly to relieve pressure in tank.
- Do not overfill fuel tank. Gasoline may expand during operation. Do not fill to the top of the tank. Allow for expansion.
- Always check for spilled fuel before operating. Clean up any spilled fuel before starting.
- Empty fuel tank before storing or transporting the generator.
- Before transporting, turn fuel valve to off and disconnect spark plug cap.

IMPORTANT:

- Use only UNLEADED gasoline with an octane rating of 87 or higher.
- Do not use old gas.
- Never use an oil/gasoline mixture.
- Avoid letting dirt or water into the fuel tank.

Step 3- Ground the Generator



WARNING: Failure to properly ground the generator can result in electrocution.

Ground the generator by tightening the grounding nut on the front control panel against a grounding wire. (Figure 11) A generally acceptable grounding wire is a No. 12 AWG (American Wire Gauge) stranded copper wire. This grounding wire should be connected at the other end to a copper or brass rod that is driven into the earth. Wire and grounding rod are not included in generator contents.

Grounding codes can vary by location. Contact a local electrician for area codes.

USING THE GENERATOR



Danger high voltage

WARNING: When this generator is used to supply a building wiring system:

Generator must be installed by a qualified electrician and connected to a transfer switch as a separately derived system in accordance with the National Electrical Code, NFPA 70.

The generator shall be connected to a transfer switch that switches all conductors other than the equipment grounding conductor. The frame of the generator shall be connected to an approved grounding electrode.

For power outages, permanently installed stationary generators are better suited for providing backup power to the home. Even a properly connected portable generator can become overloaded. This may result in overheating or stressing the generator components, possibly leading to a generator failure.

Before connecting electrical devices, allow the generator to run for a few minutes to stabilize the speed and voltage output.

CAUTION: Become familiar with the markings on the panel before connecting electrical devices.

AC Usage

Connect electrical devices running on AC current according to their wattage requirements. The chart in figure 15 shows the rated and surge wattage of your generator.

NOTE: Although the overall rated wattage of the machine is 5500 Watts, it is not recommended that you attempt to draw more than 2400 Watts (20 A) from any ONE of the 120 Volt receptacles.

The *rated wattage* corresponds to the maximum wattage the generator can output on a continuous basis.

The *surge wattage* corresponds to the maximum amount of power the generator can output for a short period of time. Many electrical devices such as refrigerators require short bursts of extra power, in addition to the rated wattage listed by the device, to stop and start their motors. The surge wattage ability of the generator covers this extra power requirement.

Model Number	Rated(Running) Wattage	Surge Wattage
7000E	5500	7000

Figure 15- generator wattage by model number.

The total running wattage requirement of the electrical devices connected to the generator should not exceed the rated wattage of the generator itself. To calculate the total wattage requirement of the electrical devices you wish to connect, find the rated (or running) wattage of each device. This number should be listed somewhere on the device or in its instruction manual. If you cannot find this wattage, you may calculate it by multiplying the Voltage requirement by the Amperage drawn:

$$\text{Watts} = \text{Volts} \times \text{Amperes}$$

If these specifications are not available, you may estimate the Watts required by your device using the chart in figure 16.

When the rated wattage requirement of each electrical device has been determined, add these numbers to find the total rated wattage needed. If this number exceeds the rated wattage of the generator, DO NOT connect all these devices. Select a combination of electrical devices, which has a total rated wattage lower than or equal to the rated wattage of the generator.

CAUTION: The generator can run at its surge wattage capacity for only a short time. Connect electrical devices requiring a rated (running) wattage equal to or less than the rated wattage of the generator. Never connect devices requiring a rated wattage equal to the surge wattage of the generator. This can trip the circuit protectors (circuit breakers).

tool or appliance	rated (running) Watts	additional surge Watts
electric water heater (40 gal)	4000	0
hot plate	2500	0
saw- radial arm	2000	2000
electric stove (each element)	1500-2800	0
saw- circular	1500	1500
air compressor (1 HP)	1500	3000
window air conditioner	1200	1800
saw- miter	1200	1200
microwave	1000	0
well water pump	1000	1000
reciprocating saw	960	1040
sump pump	800	1200
refrigerator freezer	800	1200
furnace blower	800	1300
computer	800	0
electric drill	600	900
television	500	0
deep freezer	500	500
garage door opener	480	0
stereo	400	0
box fan	300	600
clock radio	300	0
security system	180	0
DVD player/ VCR	100	0
common light bulb	75	0

NOTE: The above wattage figures are estimates. Try to check the wattage listed on your electrical device before consulting this chart.

Figure 16- Estimated wattage requirements of common electrical devices.

Once you have determined what electrical devices you will be powering with the generator, connect these devices according to the following procedure:

1. Plug in each electrical device with the device turned off. **NOTE:** Be sure to attach appliances to the correct receptacles (outlets). Connect standard 120 Volt, single phase, 60 Hz loads **only** to the 120 Volt receptacles. Connect 240/120 Volt, single phase, 60Hz loads with a NEMA L14-30 plug **only** to the 240/120 Volt receptacle See Figure 17 for a depiction of each of these receptacles.

2. Push in the circuit reset buttons to the “ON” position (NOTE: They may be pushed in already).
3. The power indicator lights will light. They light up when the receptacles receive power. In the case of the 240/120 Volt receptacle, both lights MUST light up for 240/120 Volts of power. If only one light comes on, DO NOT USE the receptacle. Press the circuit reset buttons and see if both lights come on. If both lights will still not illuminate, call the customer service number for instructions.

CAUTION: Do not connect 50Hz or 3-phase loads to the generator.

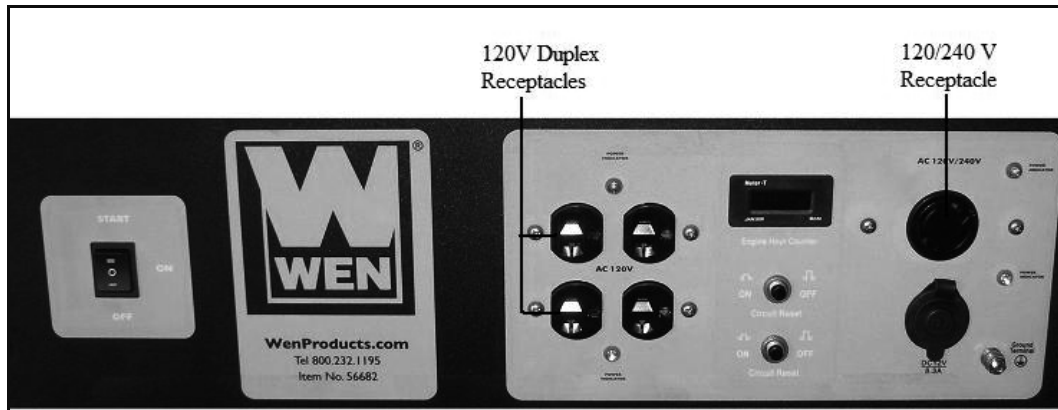


Figure 17- AC Receptacles available on the generator

CIRCUIT RESET BUTTONS

The circuit reset buttons help to prevent the generator from electrical overload. If your receptacle short circuits or becomes overloaded by an electrical device or devices with too great a wattage rating, the circuit protector may shut off power to the receptacle. If this happens, you will see the voltage indicator light or lights turn off and you will not be able to draw power from the overloaded receptacle. In the event of such an overload, disconnect all electrical devices from the generator and press the circuit reset buttons. If power still does not return to the receptacle, call our customer service line.

SOME NOTES ABOUT POWER CORDS

Long or thin cords can drain the power provided to an electrical device by the generator. When using such cords, allow for a slightly higher rated wattage requirement by the electrical device. See Figure 18 for recommended cords based on the power requirement of the electrical device.

Device Requirements			Max. Cord Length (ft) by Wire Gauge				
Amps	Watts (120V)	Watts (240 V)	#8 wire	#10 wire	#12 wire	#14 wire	#16 wire
2.5	300	600	NR	1000	600	375	250
5	600	1200	NR	500	300	200	125
7.5	900	1800	NR	350	200	125	100
10	1200	2400	NR	250	150	100	50
15	1800	3600	NR	150	100	65	NR
20	2400	4800	175	125	75	50	NR
25	3000	6000	150	100	60	NR	NR
30	3600	7200	125	65	NR	NR	NR
40	4800	9600	90	NR	NR	NR	NR

*NR= not recommended

Figure 18- Maximum Extension Cord Lengths by Power Requirement

DC Usage

This Generator is equipped with a cigarette lighter style 12V DC receptacle. The maximum draw for this DC outlet is 8.3 Amps. The 12V DC receptacle is not intended for use to charge automotive batteries.

The cigarette lighter style receptacle permits the use of any electrical device designed for use in a 12V DC cigarette style outlet similar to ones found in automobiles. The electrical device has a power cord with a metal pin on the bottom and two leaf springs on the sides. Some common automotive type electrical devices are inflators, vacuum cleaners, chargers of various types and more.

To Use: Simply plug the electrical device power cord into the 12V DC outlet and ensure the power cord is securely in place. Use the device as instructed. Remove after use by simply pulling the power cord out of the receptacle. The 12V DC receptacle is protected against overloads by an in-line fuse located behind the control panel.

STOPPING THE GENERATOR

To stop the generator:

1. Turn off all electrical devices prior to unplugging them from the generator. Unplugging running devices can cause damage to the generator.
2. Turn the engine switch to the “OFF” position.
3. Turn the fuel valve to the “OFF” (horizontal) position.



Do Not Touch
Hot Surface

WARNING: Allow the generator to cool for several minutes before touching areas that become hot during use.

CAUTION: Allowing gas to sit in the generator tank for long periods of time without use can make it difficult to start the generator in the future. Never store generator for extended periods of time with fuel in the tank.

MAINTENANCE / CARE

Proper routine maintenance of your generator will help prolong the life of your machine. Please perform maintenance checks and operations according the schedule in figure 19.



If you have questions about any of the maintenance procedures listed in this manual, please call **(800) 232-1195** M-F 8-5CST.

CAUTION: Never perform maintenance operations while the generator is running.

Recommended Maintenance Schedule

		each use	first month then every 20 hrs	every 3 months or 50 hrs	every 6 months or 100 hrs	every year or 300 hrs
Engine oil	check level	x				
	replace		x	x		
Air cleaner	check	x				
	clean			x		
fuel filter cup	clean				x	
spark plug	check/ clean				x	
gas tank	check gas level	x				
	clean					x

Figure 19- Recommended maintenance schedule

Cleaning the Generator

Never clean the generator when it is running! Never clean with a bucket of water or a hose. Water can get inside the working parts of the generator and cause a short circuit or corrosion. Always try to use the generator in a cool, dry place. If the generator becomes dirty, clean the exterior with a damp cloth, a soft brush, vacuum or pressurized air.

Checking the Oil

Check the oil level of the generator according to the Recommended Maintenance Schedule in Figure 19. The generator is equipped with an automatic shutoff to protect it from running with low oil pressure. The generator should be checked before each use for proper oil level. This is a critical step for proper engine starting.

To check or add oil, follow these steps:

1. Make sure the generator is on a level surface. Clean around oil fill.
2. Remove the oil filler/dipstick cap and check oil level.
3. If oil level is below the second thread from the lip of the oil fill opening, slowly add oil until the engine crankcase is filled.
4. Reinstall and tighten oil filler cap before starting the engine.

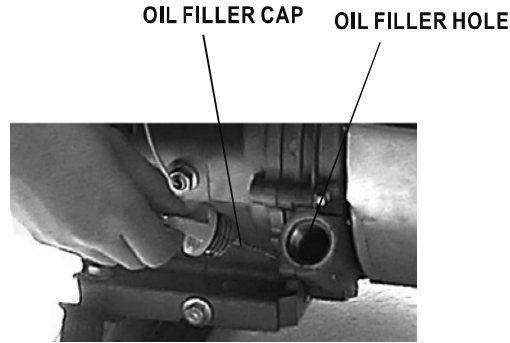


Figure 20- Checking the oil

Changing/ Adding Oil

Change the oil according to the maintenance schedule in figure 19. Change the oil when the engine is warm. This will allow for complete drainage. Change oil more often if operating under heavy load or high ambient temperatures. It is also necessary to drain the oil from the crankcase if it has become contaminated with water or dirt.

The oil capacity of the engine in this generator is 37 fluid oz. Add oil when the oil level is low.

Drain the oil from the generator according to the following steps:

1. Place a container underneath the engine to catch oil as it drains.
2. Using a 10 mm hex wrench, unscrew the oil drain plug (see figure 21). Allow all the oil to drain from the engine.
3. Reinstall the oil drain plug and tighten with a 10 mm hex wrench.

To fill the crankcase with oil, follow these steps:

1. Make sure the generator is on a level surface. **Tilting the generator to assist in filling will cause oil to flow into engine areas and will cause damage. Keep generator level!**
2. Remove the oil filler/dipstick cap from the engine as shown in figure 20 above.
3. Using a funnel, add the appropriate type and amount of oil into the crankcase. The crankcase is full when the oil level has reached the second thread from the lip of the opening (see figure 22).
4. Check for oil leaks. Reinstall oil filler cap before starting engine.

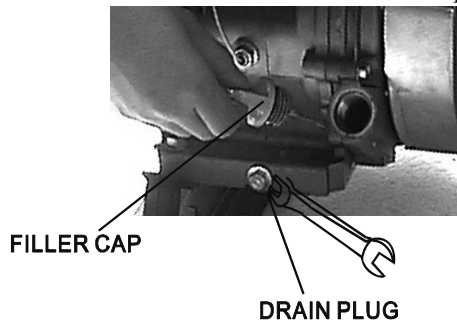


Figure 21- Draining oil



Figure 22- Adding oil

NOTE: Never dispose of used motor oil in the trash or down a drain. Please call your local recycling center or auto garage to arrange oil disposal.

Air Cleaner Maintenance

Routine maintenance of the air cleaner helps maintain proper air flow to the carburetor. Check that the air cleaner is free of excessive dirt.

1. Unhinge the clasps at the top and bottom of the air cleaner cover (see figure 23).
2. Remove the sponge-like elements from the casing.
3. Wipe the dirt from inside the empty air cleaner casing
4. Wash the sponge-like elements in household detergent and warm water. Allow to dry.
5. Reinstall the sponge-like elements in the air cleaner casing and reinstall the cover.



Figure 23- Removing the air cleaner casing.

Fuel Filter Cup Cleaning

The fuel filter cup is a small well underneath the fuel valve. It helps to trap dirt and water that may be in the fuel tank before it can enter the engine. To clean the fuel filter cup:

1. Turn the fuel valve to the “off” position.
2. Unscrew the fuel filter cup from the fuel valve using a wrench. Turn the valve toward you to unscrew (see figure 24).
3. Clean the cup of all sediment using a rag or brush.
4. Reinstall the fuel filter cup.

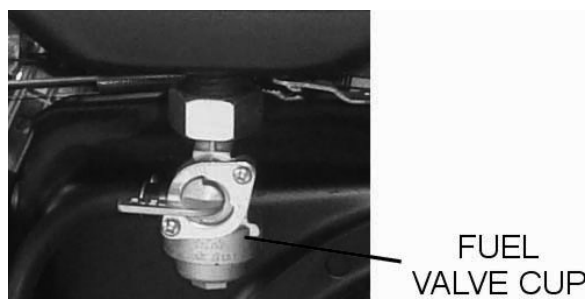


Figure 24- Removing the Fuel Filter Cup

Spark Plug Maintenance

The spark plug is important for proper engine operation. A good spark plug should be intact, free of deposits, and properly gapped. To inspect the spark plug:

1. Pull on the spark plug cap to remove it.
2. Unscrew the spark plug from the generator using the spark plug wrench included with this product (see figure 25).
3. Visually inspect the spark plug. If it is cracked or chipped, discard and replace with a new spark plug.
4. Measure the plug gap with a gauge (see figure 26). The gap should be 0.7-0.8mm (0.028-0.031in).
5. If you are re-using the spark plug, use a wire brush to clean any dirt from around the spark plug base and then re-gap the spark plug.
6. Screw the spark plug back into its place on the generator using the spark plug wrench. **Do not** over-tighten spark plug. Recommended tightening of spark plug is $\frac{1}{2}$ to $\frac{3}{4}$ of a turn after spark plug gasket contacts spark plug hole. Reinstall the spark plug cap.

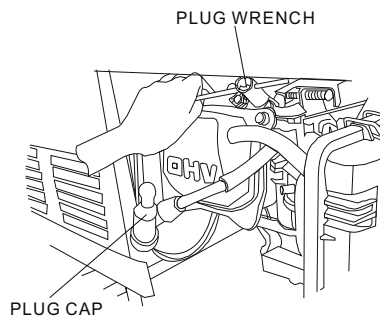


Figure 25- Removing the spark plug

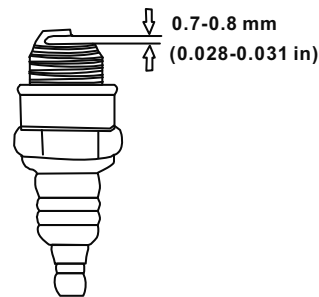


Figure 26- Measuring the spark plug gap

Draining the Fuel Tank

Clean fuel tank each year or before storing the generator for extended periods of time. To drain the fuel tank and carburetor:

1. Turn the fuel valve to the “OFF” position.
2. Remove the fuel line between the fuel valve and carburetor. **Caution:** a small amount of fuel may leak from the hose during removal.
3. Attach a fuel line (not included with the generator) to exposed end of the fuel valve.
4. Position fuel line into an appropriate container and open the fuel valve allowing fuel to flow into the container.
5. Once fuel is drained, shut off the fuel valve.
6. Start and run the engine until fuel runs out.
7. Remove the fuel filter cup (see “Fuel Filter Cup Cleaning” earlier in this section).
8. Empty the fuel filter cup of any fuel and clean
9. Reinstall the fuel filter cup.
10. Store the emptied gasoline in a suitable place.

▲ CAUTION: Do not store fuel for more than 3 months.

STORAGE / TRANSPORT PROCEDURES



CAUTION: Never place any type of storage cover on the generator while it is still hot.

If the generator is being stored for short periods of time (30 – 60 days), add stabilized fuel to the fuel tank until full. NOTE: Filling the tank reduces the amount of air in the tank and helps reduce deterioration of fuel. Run the engine for 2 – 3 minutes allowing stabilized fuel mixture to circulate through the carburetor.

When transporting or storing the generator for extended periods of time:

- Drain the fuel tank (see “Draining the Fuel Tank” in the “Maintenance” section).
- Disconnect the spark plug cap from the spark plug.
- Disconnect the battery.
- Do not obstruct any ventilation openings.
- Keep the generator in a cool dry area.

SPECIFICATIONS

Generator

DC Output

<u>Rated Voltage</u>	12 Volt
<u>Rated Amperage</u>	8.3 A
<u>Rated Wattage</u>	100 W

AC Output

Rated Wattage	5500 W
Surge Wattage	7000 W
Rated Voltage	240V/120 V
Rated Amperage	23 A/46A
Rated Frequency	60 Hz
Phase	single
Dimensions(inch): without wheel kit	length= 27.4 width= 21.8 height= 2.5
Weight	200 lbs

Engine

Engine Type	4-stroke OHV single cylinder with forced air cooling system
Ignition System	non-contact transistor
Displacement	390 cc
Fuel Tank Capacity:	25 L (6.50 US gal.)
Oil Capacity	1.1 L (37 fl oz.)
Run Time on 50% Load	11hrs
Noise Rating at 22 Feet	74 dB
Spark Plug	NGK BP7ES
Battery	12VDC 11AH

TROUBLESHOOTING

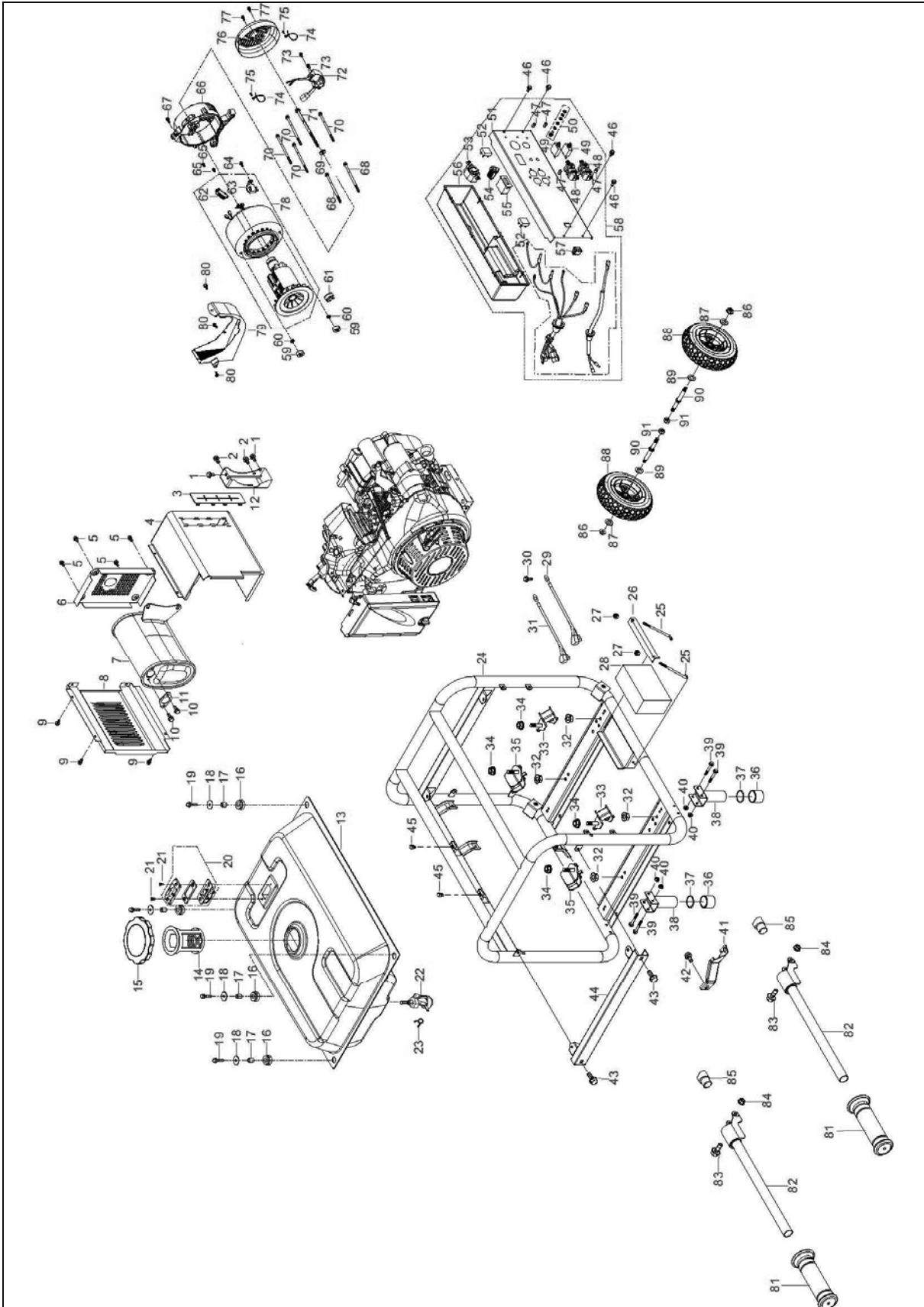
IMPORTANT: If trouble persists please call our customer help line at **(800) 232-1195** M-F 8-5 Central Time.

Problem	Cause	Solution
Engine will not start	Engine switch is set to "OFF".	Set engine switch to "ON".
	Fuel valve is turned to "OFF".	Turn fuel valve to "ON" position.
	Choke is open.	Close the choke.
	Engine is out of gas.	Add gas.
	Engine is filled with contaminated or old gas.	Change the gas in the tank.
	Spark plug is dirty.	Clean spark plug.
	Spark plug is broken.	Replace spark plug.
	Generator is not on level surface.	Move generator to a level surface to prevent low oil shutdown from triggering.
	Oil is low.	Add or replace oil.
	Air cleaner is dirty.	Clean or replace air cleaner.
	Low battery.	Charge or replace the battery.
Engine runs but there is no electrical output	Circuit reset button is off.	Wait for 2 minutes and push the circuit reset button to the "ON" position.
	Bad connecting wires/cables.	If you are using an extension cord, try a different one.
	Bad electrical device connected to generator.	Try connecting a different device.
Generator runs but does not support all electrical devices connected.	Generator is overloaded	Perform these steps: 1. Turn off all electrical devices. 2. Unplug all electrical devices. 3. Turn off generator. 4. Wait several minutes. 5. Restart generator. 6. Try connecting fewer electrical loads to the generator.
	Short in one of the connected devices.	Try disconnecting any faulty or short-circuited electrical loads.
	Air cleaner is dirty.	Clean or replace air cleaner.
DC No Power	Power cord plug not securely in place	Twist and push power cord plug into receptacle until contact is made with bottom of receptacle.
	Protective fuse is blown	Contact our customer service help line at (800) 232-1195 .

Part #	Stock #	Description	Qty
1	56682-E-001	CYLINDER HEAD GASKET	1
2	56682-E-002	CYLINDER HEAD COVER	1
3	56682-E-003	HEAD COVER GASKET	1
4	56682-E-004	BREATHER TUBE	1
5	56682-E-005	HEAD COVER BOLT	1
6	56682-E-006	STUD	2
7	56682-E-007	STUD	2
8	56682-E-008	PIN	2
9	56682-E-009	CYLINDER HEAD BOLT	4
10	56682-E-010	SPARK PLUG	1
11	56682-E-011	CYLINDER HEAD	1
12	56682-E-012	EX OUTLET GASKET	1
13	56682-E-013	NUT	2
14	56682-E-014	EXHAUST PIPE	1
15	56682-E-015	CRANKCASE	1
16	56682-E-016	OIL SEAL	1
17	56682-E-017	OIL SENSOR	1
18	56682-E-018	BEARING	1
19	56682-E-019	RUBBER PLUG	1
20	56682-E-020	OIL PROTECTOR	1
21	56682-E-021	BOLT	1
22	56682-E-022	FLAT WASHER	2
23	56682-E-023	DRAIN PLUG	2
24	56682-E-024	CLIP	1
25	56682-E-025	GOVERNOR ARM	1
26	56682-E-026	OIL SEAL	1
27	56682-E-027	PIN	1
28	56682-E-028	FLAT WASHER	1
29	56682-E-029	BOLT	2
30	56682-E-030	CRANKCASE COVER	1
31	56682-E-031	CRANKCASE GASKET	1
32	56682-E-032	BEARING	1
33	56682-E-033	OIL DIPSTICK	1
34	56682-E-034	PIN	2
35	56682-E-035	BOLT	7
36	56682-E-036	BEARING	1
37	56682-E-037	GOVERNOR GEAR	1
38	56682-E-038	OIL SEAL	1
39	56682-E-039	CRANKSHAFT	1
40	56682-E-040	BALANCING SHAFT	1
41	56682-E-041	OIL RING SET	1
42	56682-E-042	PISTON PIN CLIP	2
43	56682-E-043	PISTON	1
44	56682-E-044	PISTON PIN	1
45	56682-E-045	CONNECTING ROD	1
46	56682-E-046	THE FIRST RING	1
47	56682-E-047	THE SECOND RING	1
48	56682-E-048	CAMSHAFT	1
49	56682-E-049	EXHAUST VALVE	1
50	56682-E-050	INTAKE VALVE	1
51	56682-E-051	VALVE SPRING SEAT	1
52	56682-E-052	EX VALVE RETAINER	1
53	56682-E-053	VALVE CAP	1

Part #	Stock #	Description	Qty
54	56682-E-054	SEAL GUIDE	1
55	56682-E-055	VALVE TAPPET	2
56	56682-E-056	VALVE LIFTER	2
57	56682-E-057	STOPPER PLATE	1
58	56682-E-058	VALVE ADJUSTING BOLT	2
59	56682-E-059	ROCKER, VALVE	2
60	56682-E-060	VALVE ADJUSTING NUT	2
61	56682-E-061	VALVE LOCK NUT	2
62	56682-E-062	VALVE SPRING	2
63	56682-E-063	SPRING RETAINER	1
64	56682-E-064	RECOIL STARTER	1
65	56682-E-065	BOLT	3
66	56682-E-066	SHROUD	1
67	56682-E-067	BODY SHROUD	1
68	56682-E-068	BOLT	1
69	56682-E-069	BOLT	5
70	56682-E-070	CARBURETOR ASSEMBLY	1
71	56682-E-071	AIR CLEANER GASKET	2
72	56682-E-072	CARBURETOR GASKET	1
73	56682-E-073	INSULATOR PLATE	1
74	56682-E-074	INLET GASKET	1
75	56682-E-075	CLIP	2
76	56682-E-076	FUEL TUBE	1
77	56682-E-077	COLLAR	2
78	56682-E-078	BREATHER SLEEVE	1
79	56682-E-079	CHOKE	1
80	56682-E-080	CHECK VALVE	1
81	56682-E-081	AIR CLEANER	1
81A	56682-E-081A	CLEANER ELEMENT	1
82	56682-E-082	NUT	2
83	56682-E-083	FLYWHEEL NUT	1
84	56682-E-084	STARTER PULLEY	1
85	56682-E-085	PLASTIC FAN	1
86	56682-E-086	FLYWHEEL	1
87	56682-E-087	BOLT	2
88	56682-E-088	IGNITION COIL	1
89	56682-E-089	BOLT	1
90	56682-E-090	CHARGE COIL CLAMP	1
91	56682-E-091	BOLT	2
92	56682-E-092	CHARGE COIL	1
93	56682-E-093	BOLT	2
94	56682-E-094	THROTTLE CONTROL	1
95	56682-E-095	RETURNING SPRING	1
96	56682-E-096	GOVERNEOR ROD	1
97	56682-E-097	GOVERNOR SPRING	1
98	56682-E-098	GOVERNOR SUPPORT	1
99	56682-E-099	NUT	1
100	56682-E-100	SUPPORT BOLT	1
101	56682-E-101	COLLAR	1
102	56682-E-102	STARTING MOTOR	1
103	56682-E-103	BOLT	2
104	56682-E-104	STARTING RELAY	1
105	56682-E-105	BOLT	2

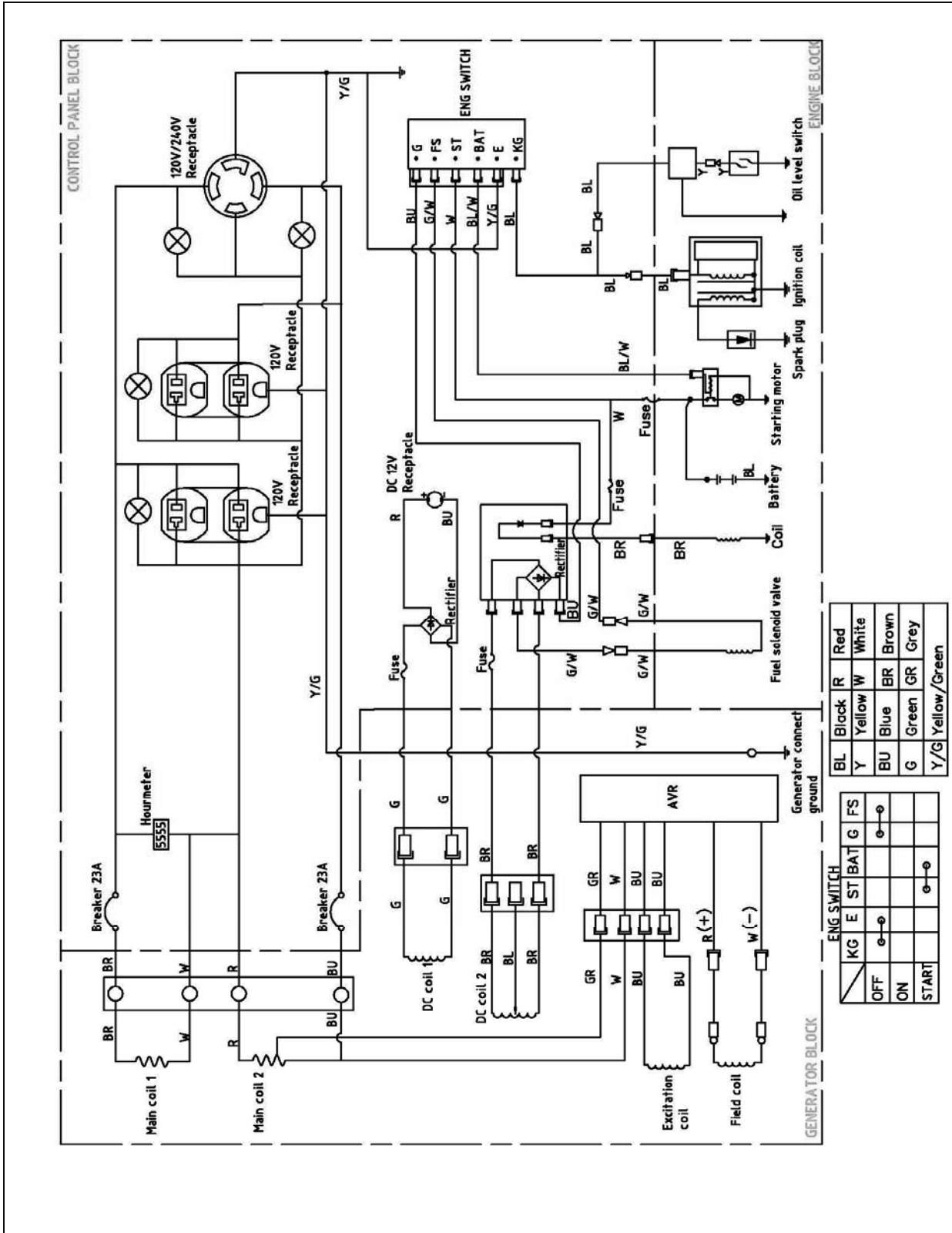
GENERATOR EXPLODED VIEW AND PARTS LIST



Part #	Stock #	Description	Qty
1	56682-G-001	BOLT	2
2	56682-G-002	BOLT	2
3	56682-G-003	MUFFLER CUSHION	1
4	56682-G-004	MUFFLER INNER COVER	1
5	56682-G-005	BOLT	4
6	56682-G-006	MUFFLER SIDE COVER	1
7	56682-G-007	MUFFLER ASSEMBLY	1
8	56682-G-008	MUFFLER GUARD	1
9	56682-G-009	BOLT	3
10	56682-G-010	BOLT	2
11	56682-G-011	EXHAUST GASKET	1
12	56682-G-012	MUFFLER BRACKET	1
13	56682-G-013	FUEL TANK	1
14	56682-G-014	FUEL FILTER	1
15	56682-G-015	TANK CAP	1
16	56682-G-016	RUBBER SLEEVE	4
17	56682-G-017	BUSH	4
18	56682-G-018	WASHER	4
19	56682-G-019	BOLT	4
20	56682-G-020	FUEL GAUGE	1
21	56682-G-021	SCREW	2
22	56682-G-022	FUEL VALVE	1
23	56682-G-023	COLLAR	1
24	56682-G-024	FRAME	1
25	56682-G-025	CLAMP BOLT	2
26	56682-G-026	BATTERY CLAMP	1
27	56682-G-027	NUT	2
28	56682-G-028	BATTERY	1
29	56682-G-029	POSITIVE CABLE	1
30	56682-G-030	BOLT	1
31	56682-G-031	NEGATIVE CABLE	1
32	56682-G-032	NUT	4
33	56682-G-033	FRAME CUSHION	2
34	56682-G-034	NUT	4
35	56682-G-035	FRAME REAR CUSHION	2
36	56682-G-036	RUBBER FOOT	2
37	56682-G-037	WASHER	2
38	56682-G-038	FRONT FOOT	2
39	56682-G-039	BOLT	4
40	56682-G-040	NUT	4
41	56682-G-041	ATR CLEANER SUPPORT	1
42	56682-G-042	BOLT	1
43	56682-G-043	BOLT	2
44	56682-G-044	CROSSPIECE	1
45	56682-G-045	TANK RUBBER	2
46	56682-G-046	BOLT	4
47	56682-G-047	POWER INDICATOR	4

Part #	Stock #	Description	Qty
48	56682-G-048	120V DUPLEX RECEPTACLE	2
49	56682-G-049	CIRCUIT BREAKER	2
50	56682-G-050	GROUNDING TERMINAL	1
51	56682-G-051	CONTROL PANEL	1
52	56682-G-052	RECTIFIER	2
53	56682-G-053	120/240V RECEPTACLE	1
54	56682-G-054	12V DC RECEPTACLE	1
55	56682-G-055	HOURLMETER	1
56	56682-G-056	PANEL REAR CASE	1
57	56682-G-057	ENGINE SWITCH	1
58	56682-G-058	CONTROL PANEL ASSEMBLY	1
59	56682-G-059	NUT	2
60	56682-G-060	WASHER	2
61	56682-G-061	RIGHT COVER STOPPER	1
62	56682-G-062	TERMINAL	1
63	56682-G-063	CARBON BRUSH	1
64	56682-G-064	BOLT	1
65	56682-G-065	BOLT	2
66	56682-G-066	GENERATOR HOUSING	1
67	56682-G-067	BOLT	1
68	56682-G-068	BOLT	2
69	56682-G-069	WASHER	1
70	56682-G-070	BOLT	4
71	56682-G-071	BOLT	1
72	56682-G-072	VOLTAGE REGULATOR	1
73	56682-G-073	BOLT	2
74	56682-G-074	CABLE TIE	2
75	56682-G-075	BOLT	2
76	56682-G-076	MOTOR END COVER	1
77	56682-G-077	BOLT	2
78	56682-G-078	STATOR & ROTOR ASSEMBLY	1
78A	56682-G-078A	STATOR	1
78B	56682-G-078B	ROTOR	1
79	56682-G-079	MOTOR SHROUD	1
80	56682-G-080	BOLT	3
81	56682-G-081	HANDLE GRIP	2
82	56682-G-082	HANDLE	2
83	56682-G-083	BOLT	2
84	56682-G-084	NUT	2
85	56682-G-085	HANDLE SEAT	2
86	56682-G-086	NUT	2
87	56682-G-087	WASHER	2
88	56682-G-088	WHEEL	2
89	56682-G-089	WASHER	2
90	56682-G-090	WHEEL AXLE	2
91	56682-G-091	NUT	2

WIRING DIAGRAM



**WARRANTY STATEMENT
FOR WEN POWER™ GENERATORS**

WEN Power™ generators are warranted (to the original purchaser) to be free from defects in materials and workmanship for a period of two (2) years from the date of original purchase. Generators used for commercial or for rental have a warranty period of 90 days from date of original purchase. Please fill out and mail the enclosed warranty card and mail it to Power Pro Technology along with a copy of the receipt. The information is required to process warranty claims.

WEN Power™ will repair or replace, at its discretion, any part that is proven to be defective in materials or workmanship under normal use during the two (2) year warranty period. Warranty repairs or replacements will be made without charge for parts or labor. Parts replaced during warranty repairs will be considered as part of the original product and will have the same warranty period as the original product.

TO EXERCISE WARRANTY COVERAGE:

Do not return to retailer! For warranty and technical support call the toll-free Customer Service Number: (800) 232-1195 and you will be informed of the nearest authorized service center. We will prearrange the repair with the center.

WARRANTY COVERAGE:

This warranty is conveyed to the original purchaser and is not transferable. Generators contain parts that will wear out with usage and parts that need maintenance. The warranty does not cover wear or maintenance parts. Specifically, the warranty does not cover replacement of air filter, spark plug, brush and recoil starter rope. Warranty does not extend to generators damaged or affected by accidents, neglect, misuse, contaminated fuel, unauthorized alterations, use in applications beyond product design and any other modification or abuse.

WEN Power™ is not liable for any indirect, incidental or consequential damages from the sale or use of this product. Any implied warranties are limited to two (2) years as stated in this written limited warranty. Some states do not allow limitation on the length of an implied warranty. Some states do not allow the exclusion or limitation of incidental or consequential damages. This warranty gives you the specific legal right, and you may have other rights that vary by state.