

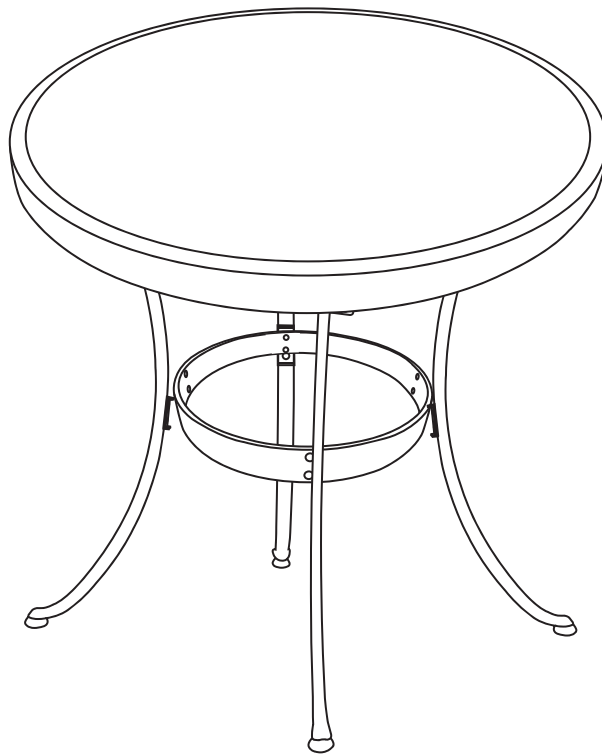
Item #1004 630 608  
1004 521 626  
Model#HD19153  
Item #1004 630 530  
1004 497 318  
Model#HD19149

# HAMPTON BAY<sup>®</sup>

## USE AND CARE GUIDE

---

### 28 IN MOSAIC STYLE BISTRO TABLE



Questions, problems, missing parts? Before returning to the store,  
call Hampton Bay Customer Service  
8 a.m. - 7 p.m., EST, Monday - Friday, 9 a.m. - 6 p.m., EST, Saturday

**1-855-HD-HAMPTON**

**HAMPTONBAY.COM**

---

*THANK YOU*

We appreciate the trust and confidence you have placed in Hampton Bay through the purchase of this table. We strive to continually create quality products designed to enhance your home. Visit us online to see our full line of products available for your home improvement needs. Thank you for choosing Hampton Bay!

# Table of Contents

Table of Contents.....	2
Safety Information.....	2
Precautions.....	2
Warranty.....	3
Pre-Installation.....	3
Planning Assembly.....	3
Hardware Included.....	3
Package Contents.....	4

Assembly.....	5
Care and Cleaning.....	6

## Important Safety Instructions

### SAVE THESE INSTRUCTIONS READ ALL INSTRUCTIONS BEFORE USE

Use caution and common sense when using this table. Failure to adhere to the safety warnings and guidelines in this manual could result in bodily injury or property damage. Save this manual for future reference.

1. Close supervision is necessary when this furnishing is used by or near children, or disabled persons, if applicable.
2. Use this furnishing only for its intended use as described in these instructions. Do not use attachments not recommended by the manufacturer.
3. This table is not intended to support an umbrella. Umbrellas must have a suitable base or stand.



**WARNING:** Do not tighten all parts before assembly is complete.



**WARNING:** Do not sit or stand on the table.



**WARNING:** Do not use sharp objects to knock or scratch the top.



**WARNING:** Do not use power tools to assemble this product.



**WARNING:** Small parts like washers may pose a choking hazard to young children. Handle with care.



**WARNING:** To maintain the finish, clean the surface by using a soft cloth. Do not use a metal brush.



**WARNING:** Do not wipe the top with acidic material.

# Warranty

## TWO YEAR FRAME LIMITED WARRANTY

### WHAT IS COVERED

We warrant the metal frame to be free of manufacturing defects to the original purchaser for two year.

### WHAT IS NOT COVERED

It remains the customer's responsibility for freight and packaging charges to and from our service center. This warranty does not cover commercial use, hardware, acts of nature, fire, freezing and abusive use. In addition, purchased parts are not covered under this warranty. We reserve the right to make substitutions with similar merchandise, if the model in question is no longer in production.

Contact the Customer Service Team at 1-855-HD-HAMPTON or visit [www.hamptonbay.com](http://www.hamptonbay.com).

# Pre-Installation

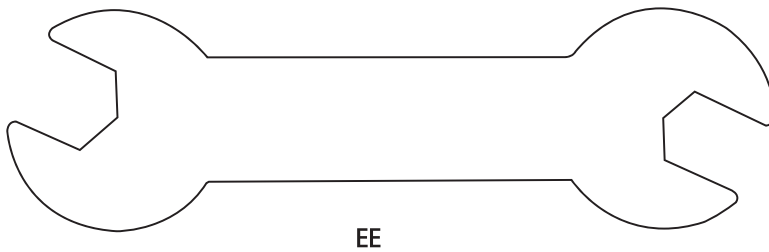
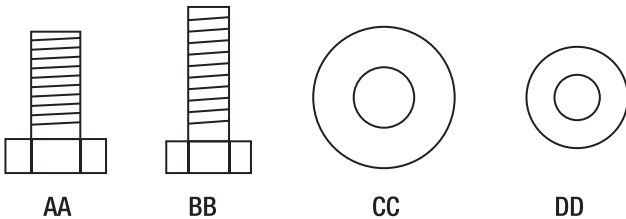
## PLANNING INSTALLATION

Read all safety warnings and instructions carefully and thoroughly before assembling and operating your table. Familiarize yourself with the inventory of parts and the accompanying illustrations to ensure safe and proper assembly. The manufacturer is not responsible for any injury that may occur during the assembly of this product. Place the parts on a soft surface to assemble and prevent scratching the finish.

## HARDWARE INCLUDED



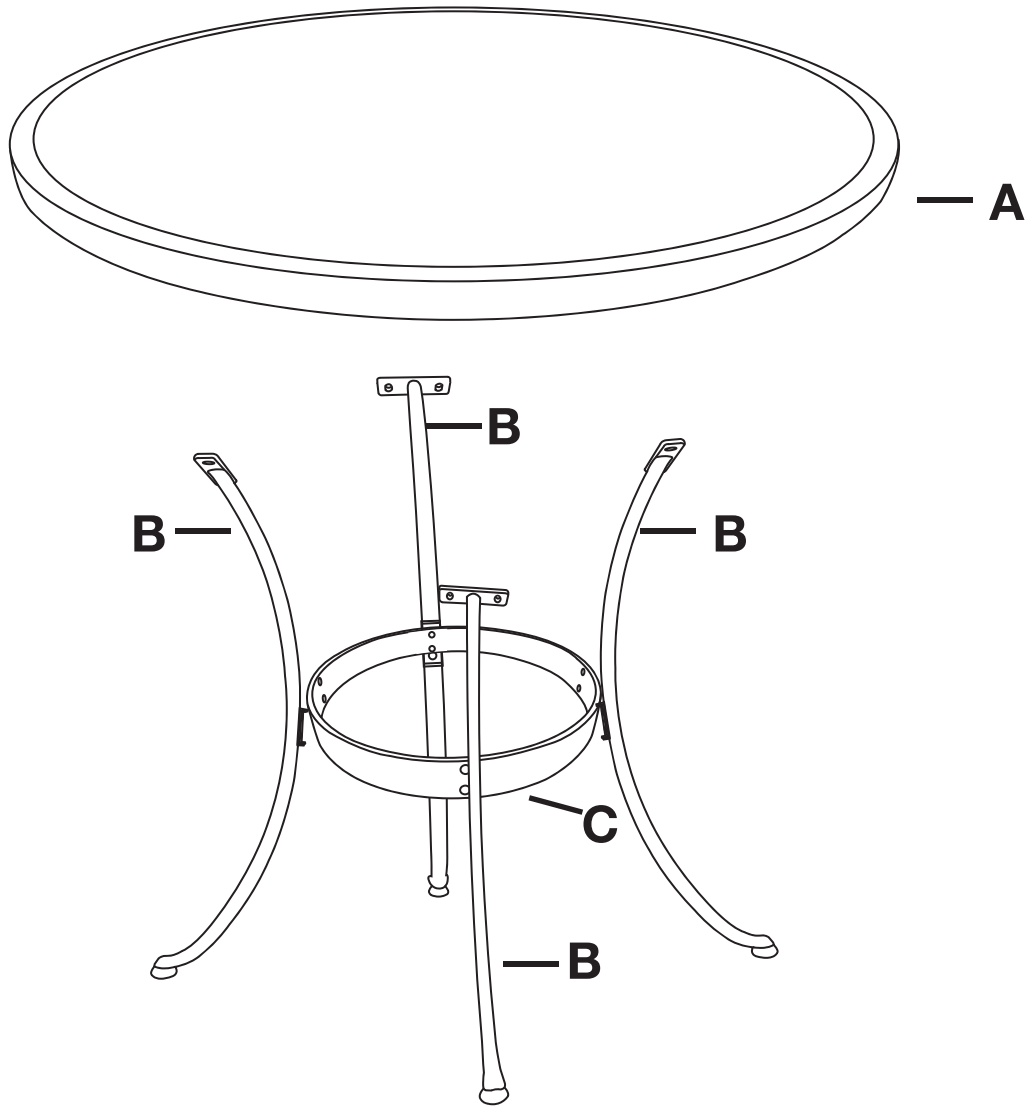
NOTE: Hardware shown to actual size



Part	Description	Quantity
AA	M8*16 Hex Bolt	8
BB	M6*25 Hex Bolt	8
CC	M8 Washer	8
DD	M6 Washer	8
EE	Stamped Wrench	1

# Pre-Installation (continued)

## PACKAGE CONTENTS

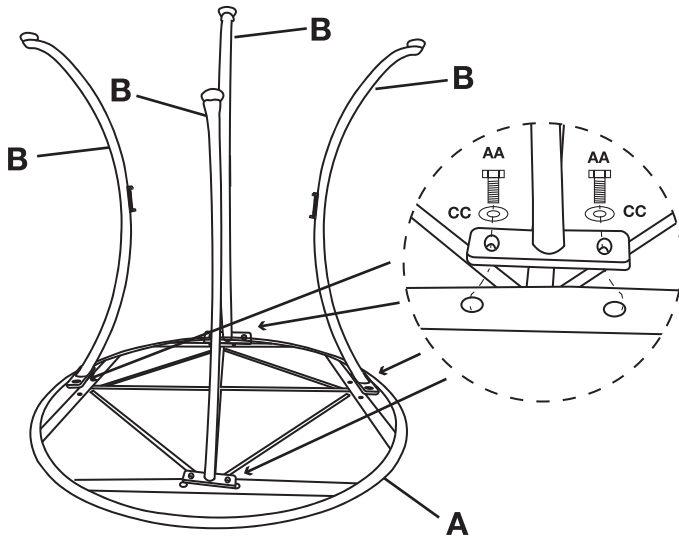


Part	Description	Quantity
A	Table Top	1
B	Leg	4
C	Metal Loop	1

# Assembly

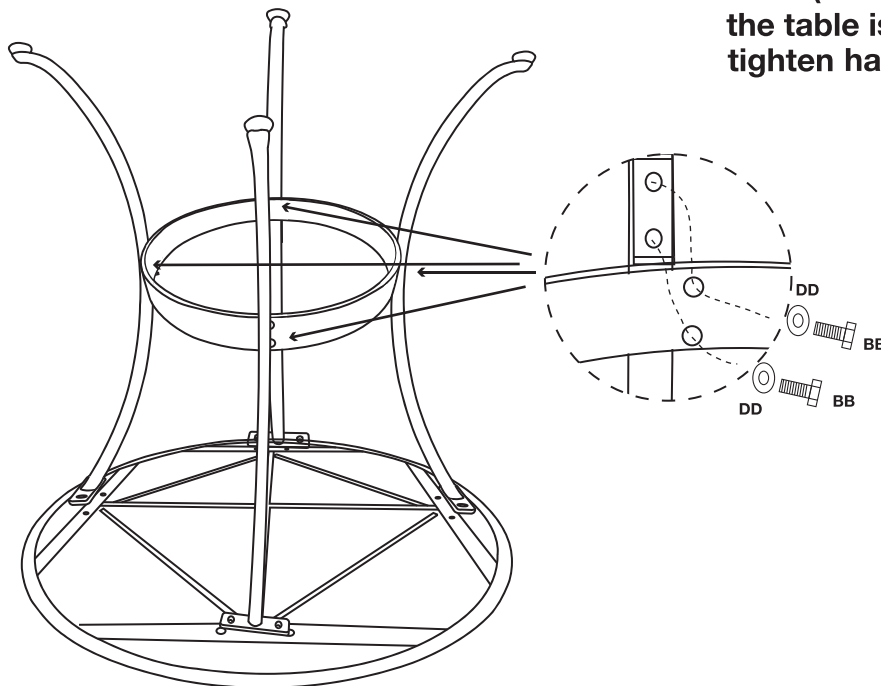
**Caution:** Do not completely tighten hardware until assembly is complete.

## 1 Installing the legs



- Attach the legs (B) to the table top (A) using bolts (AA) and washers (CC). Tighten using the wrench (EE). Do not completely tighten hardware.

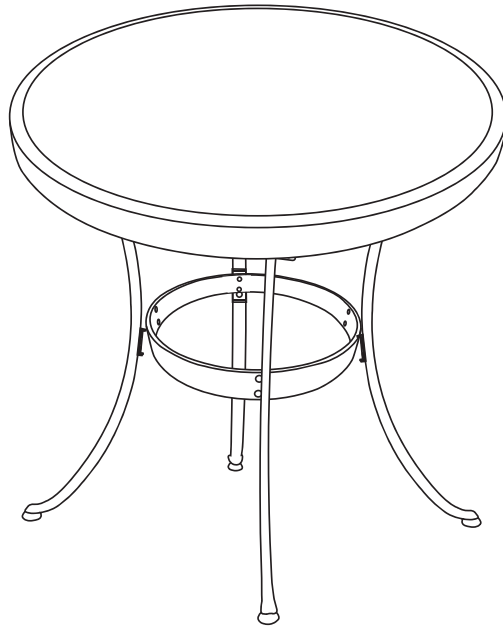
## 2 Installing the metal loop



- Attach the metal loop (C) to the table legs using bolts (BB) and washers (DD). Securely tighten all bolts (AA and CC) using the wrench (EE) when the table is fully assembled. Do not completely tighten hardware.

### 3 Completing assembly

- Carefully turn the table right-side up.
- Tighten the hardware completely.



### Care and Cleaning

- To maintain the finish, clean the surface by using a soft cloth. Do not use a metal brush.
- Do not wipe the top with acidic material.
- Do not use sharp object to knock or scratch the top.

# HAMPTON BAY®

Questions, problems, missing parts? Before returning to the store,  
call Hampton Bay Customer Service  
8 a.m.-7 p.m., EST, Monday-Friday, 9 a.m. - 6 p.m., EST, Saturday

**1-855-HD-HAMPTON**

**HAMPTONBAY.COM**

Retain this manual for future use.