



WINE COOLER  
REFRIGERADOR DE VINO

---

Model/Modelo: PWC456MS




**This product is for domestic use only**  
**Use & care manual**  
**Important safeguards**

# Content

<b>Important Safety Instructions.....</b>	<b>3</b>
<b>Hint for Castoff Disposal.....</b>	<b>4</b>
<b>Hints on Safety &amp; Warning.....</b>	<b>5</b>
<b>Before Using Your Wine Cooler.....</b>	<b>7</b>
<b>Installation of Your Wine Cooler.....</b>	<b>7</b>
<b>Placement of Wine Cooler .....</b>	<b>8</b>
<b>Connect Wine Cooler with Power Source.....</b>	<b>8</b>
<b>Know About Wine Cooler.....</b>	<b>9</b>
<b>Installation of Handle.....</b>	<b>10</b>
<b>Level the Wine Cooler.....</b>	<b>12</b>
<b>Turn on the wine cooler and set up temperature.....</b>	<b>13</b>
<b>Hints for Operation.....</b>	<b>14</b>
<b>Placement of Wine Bottle.....</b>	<b>14</b>
<b>Effective Cubage.....</b>	<b>15</b>
<b>Use Temperature Area in Chilling Cabinet.....</b>	<b>15</b>
<b>Placement of Wine cooler.....</b>	<b>15</b>
<b>Practical Skills for Storage of Wine.....</b>	<b>15</b>
<b>Drinking Temperature.....</b>	<b>16</b>
<b>Power-off &amp; Stop Using of Wine Cooler.....</b>	<b>17</b>
<b>Cleaning Wine Cooler .....</b>	<b>17</b>
<b>Energy Saving.....</b>	<b>17</b>
<b>Operation Noise.....</b>	<b>18</b>
<b>Troubleshooting By Yourself.....</b>	<b>18</b>

## Important Safety Instructions

	To reduce the risk of fire, electrical shock, or injury when using your Wine Cooler, follow these basic precautions:
<p>This appliance is intended to be used in household and similar applications such as</p> <ul style="list-style-type: none"><li>– staff kitchen areas in shops, offices and other working environments;</li><li>– farm houses and by clients in hotels, motels and other residential type environments;</li><li>– bed and breakfast type environments;</li><li>– catering and similar non-retail applications.</li></ul> <p>This appliance is not intended for use by persons (including children) with reduced physical, sensory or mental capabilities, or lack of experience and knowledge, unless they have been given supervision or instruction concerning use of the appliance by a person responsible for their safety.</p> <p>WARNING: Keep ventilation openings, in the appliance enclosure or in the built-in structure, clear of obstruction.</p> <ul style="list-style-type: none"><li>– WARNING: Do not use mechanical devices or other means to accelerate the defrosting process, other than those recommended by the manufacturer.</li><li>– WARNING: Do not damage the refrigerant circuit.</li><li>– WARNING: Do not use electrical appliances inside the food storage compartments of the appliance, unless they are of the type recommended by the manufacturer.</li></ul> <p>Do not store explosive substances such as aerosol cans with a flammable propellant in this appliance. Children should be supervised to ensure that they do not play with the appliance.</p> <p>Never clean Wine Cooler parts with flammable fluids. The fumes can create a fire hazard or explosion. Do not store or use gasoline or any other flammable vapors and liquids in the vicinity of this or any other appliance. The fumes can create a fire hazard or explosion.</p> <p>If the supply cord is damaged, it must be replaced by the manufacturer, its service agent or similarly qualified persons in order to avoid a hazard.</p> <p>WARNING</p> <ul style="list-style-type: none"><li>--- Do not damage the refrigerant circuit.</li><li>--- Do not store explosive substances such as aerosol cans with a flammable propellant in this appliance.</li><li>--- Use two or more people to move refrigerator.</li><li>--- The appliance is not intended for use by young children or infirm persons without supervision.</li><li>--- Young children should be supervised to ensure that they do not play with the appliance</li><li>--- If the supply cord or other components damaged, it must be replaced by the manufacturer, its service agent or similarly qualified persons in order to avoid a hazard.</li></ul> <p>CAUTION: Do not use extension cord.</p> <p>DANGER:</p> <p>Risk of child entrapment. Before you throw away your old refrigerator or freezer:</p> <p>Take off the door</p> <p>Leave the shelves in place so that children may not easily climb inside.</p> <p style="text-align: center;">-Save these instructions-</p>	

## Hint for Castoff Disposal

### Disposal of Waste Package

The package is used to protect the wine cooler during the transportation. All the materials are harmless to environment and reusable.

To know the current channel for disposal of castoff, please consult your professional dealers or the local administrative authority.

### Warning

For the discarded wine cooler:

1. Please pull out the plug of power source.
2. Please sever the electric cord and take it off with power plug.

The wine cooler contains cooling agent and the insulation layer contains gas. The cooling agent and the insulated gas must be disposed by professional personnel. Please do not damage the loop pipeline of the cooling agent before it's disposed by professional personnel.

### **DANGER or WARNING:** Risk of child entrapment.

1. Child entrapment and suffocation are not problems of the past. Junked or abandoned appliances are still dangerous even if they will “just sit in the garage a few days”.

2. Before you throw away your old Wine Cooler: take off the doors. Leave the shelves in place so that children may not easily climb inside.

## **Hints on Safety & Warning**

### **Before Operation of Wine Cooler**

Please read the User Manual carefully!

It contains some important information on placement, use and maintenance of wine cooler.

Please keep all the data for future use or the next user of the wine cooler.

### **Technical Safety**

- The wine cooler contains a little cooling agent, which is harmless to the environment. Please pay attention not to damage the loop pipeline of the cooling agent in the transportation or installation process. The ejected cooling agent may cause injury to eyes or may ignite by itself.

### **When It's Damaged**

- The flame or fire source should be kept away from the wine cooler.
- Please ventilate the room thoroughly for several minutes.
- Pull out the power plug.
- Inform after-sales service personnel.

The more cooling agent the wine cooler has, the bigger the space to place the wine cooler should be. For every 8g cooling agent, there must be at least 1m<sup>3</sup> of space in the room. The quantity of wine cooler is marked on the nameplate of the back-plate of the wine cooler.

- The replacement of power cord and other repair activities can only be carried out by the after-sales service personnel specified by the manufacturers. Improper installation or repair may cause big dangers to users.

### **During Use**

- Do not use electric appliance (such as: heater, electric ice maker, etc.) within the inside of the wine cooler.

### **Danger of Electric Shock!**

- Don't remove frost or ice layers with sharp or keen-edged object.

Otherwise, the cooling agent pipeline may be damaged. The ejected cooling agent may cause injury to eyes.

- Do not store products that contains combustible gas (such as: spray bottle) or explosive materials in the wine cooler.

### **Danger of Explosion!**

- Do not use steam type cleaning equipment to clean the wine cooler or defrost! Steam may enter the electric elements and cause short circuit.
- Do not use the base or the door of the wine cooler as footplate or support.
- When you defrost or clean the wine cooler, please pull out the power plug or disconnect the protective equipment. When you pull out power plug, please hold the plug rather than pull the power cord.
- The wines with high alcohol content must be sealed and stored vertically.
- Avoid contamination of grease to the plastic components and the door sealing components of the wine cooler, or the plastic components and the door sealing components of the wine cooler will appear small holes.
- Do not envelop or close the ventilation or exhaust holes.
- Do not store or use gasoline or any other flammable vapors and liquids in the vicinity of this or any other appliance. The fumes can create a fire hazard or explosion.
- Do not use extension cords.

### **Children**

- Do not give the package or other components to children for play. The folded paperboard and the plastic film may cause danger of suffocation!
- The wine cooler is not toy of children!
- Never allow children to operate, play with, or crawl inside the Wine Cooler.
- The appliance is not intended for use by young children or infirm persons without supervision; young children should be supervised to ensure that they do not play with the appliance

## **Before Using Your Wine Cooler**

Remove the exterior and interior packing.

Check to be sure you have all of the following parts:

5 Shelves

1 Bottle/Can Basket

1 Instruction Manual

Before connecting the Wine Cooler to the power source, let it stand upright for approximately 2 hours. This will reduce the possibility of a malfunction in the cooling system from handling during transportation.

Clean the interior surface with lukewarm water using a soft cloth.

## **Installation of Your Wine Cooler**

This appliance is designed to be free standing only, and should not be recessed or built-in (fully recessed).

Place your Wine Cooler on a floor that is strong enough to support it when it is fully loaded. To level your Wine Cooler, adjust the adjustable leg at the bottom of the unit.

Allow 5 inches of space between the back and sides of the unit, which allows the proper air circulation to cool the compressor.

Locate the Wine Cooler away from direct sunlight and sources of heat (stove, heater, radiator, etc.). Direct sunlight may affect the acrylic coating and heat sources may increase electrical consumption. Extreme cold ambient temperatures may also cause the unit not to perform properly.

Avoid locating the unit in moist areas.

Plug the Wine Cooler into an exclusive, properly installed-grounded wall outlet. Do not under any circumstances cut or remove the third (ground) prong from the power cord. Any questions concerning power and/or grounding should be directed toward a certified electrician or an authorized Avanti Products service center.

After plugging the appliance into a wall outlet, allow the unit to cool down for 2-3 hours before placing items in the compartment.

## **Placement of Wine Cooler**

The wine cooler should be placed in dry and ventilated room. The location of the wine cooler should not be irradiated by direct sunshine. The wine cooler should be far away from heating sources, such as: cooking stove or heating radiator. If the wine cooler has to be placed near heating source, please adopt proper heating insulation board for insulation or keep the wine cooler at least the following minimum distances away from the heating sources:

For electric stove: 3 cm.

For oil or coal stove: 30 cm.

To ensure proper ventilation for your wine cooler, allow for 40mm space on each side between walls, 40mm space between back of your wine cooler and the wall, and 40mm space between counter top and the roof or ceiling.



### **Notice**

If the room temperature is lower than +16°C, the wine cooler may not be able to work normally, because if the room temperature is too low, the temperature sensitive goods might be damaged.

If the room temperature and humidity is too high, the glass door of the wine cooler may have congealed dew.

## **Connect Wine Cooler with Power Source**

### **⚡ Warning ⚡**

Improper use of the grounded plug can result in the risk of electrical shock. If the supply cord is damaged, it must be replaced by the manufacturer, its service agent or similarly qualified persons in order to avoid a hazard.

After placing the wine cooler, please wait for at least half an hour before the wine cooler can be operated. This is because the engine oil in the compressor may flow into the cooling system during the transportation process.

Before the first running, please clean the inside chambers of the wine cooler (Please see the section on cleaning).



The power socket should be in such as place, where is reachable conveniently. Please use a socket that's installed according to the requirements. The wine cooler should be connected with 115V/60Hz AC power.(

 **Warning!**

In any case, please do not connect the wine cooler to the electronic energy saving power plug or the converter (such as: solar energy equipment, ship's electric grid) that convert DC into 115V AC.

**Know About Wine Cooler**

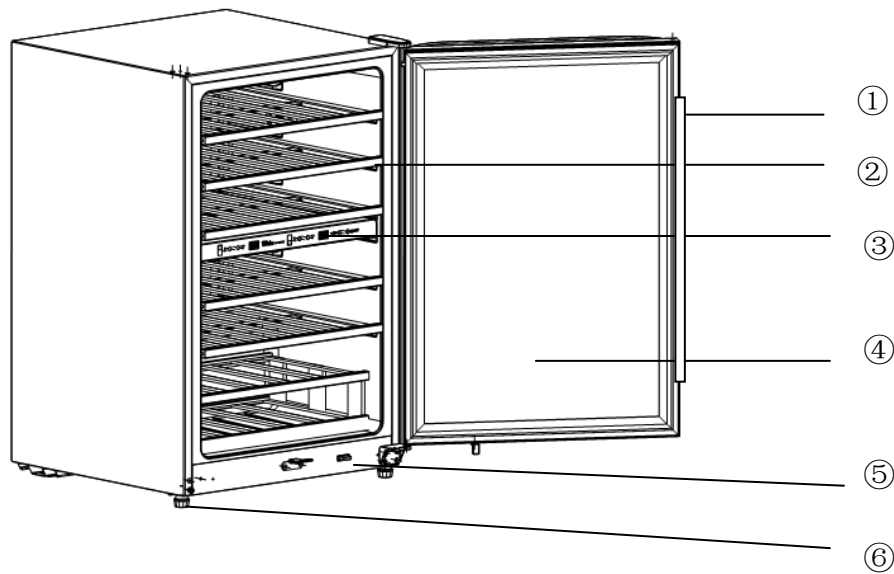


Fig. 1

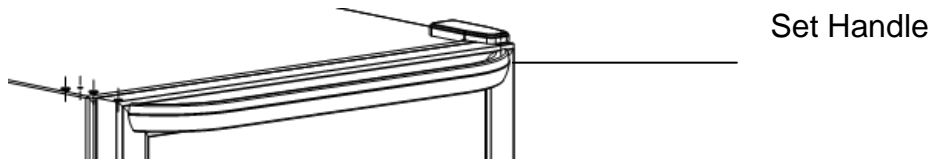
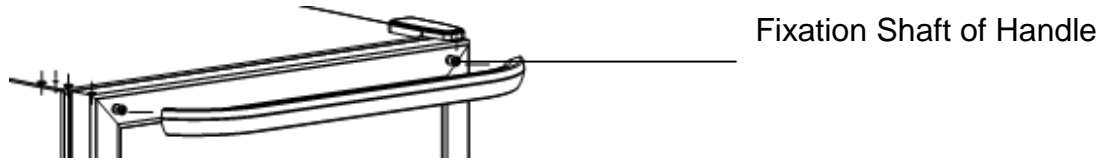
The illustration might be different from the actual products.

- ① Handle
- ② Wooden Shelf Made of Beech
- ③ Control Panel
- ④ Glass Door
- ⑤ Control Switch of Lamp
- ⑥ Adjustment Leg

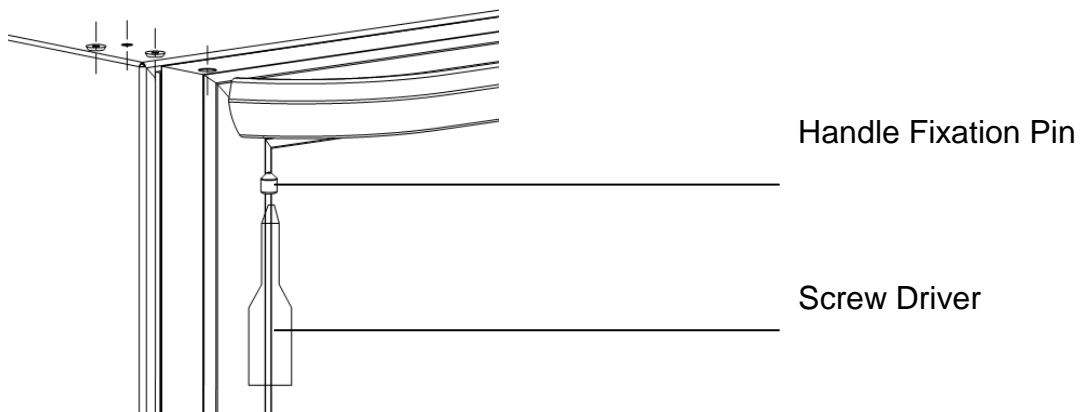
**Installation of Handle**

Please choose the following handle installation instruction according to your actual needs.

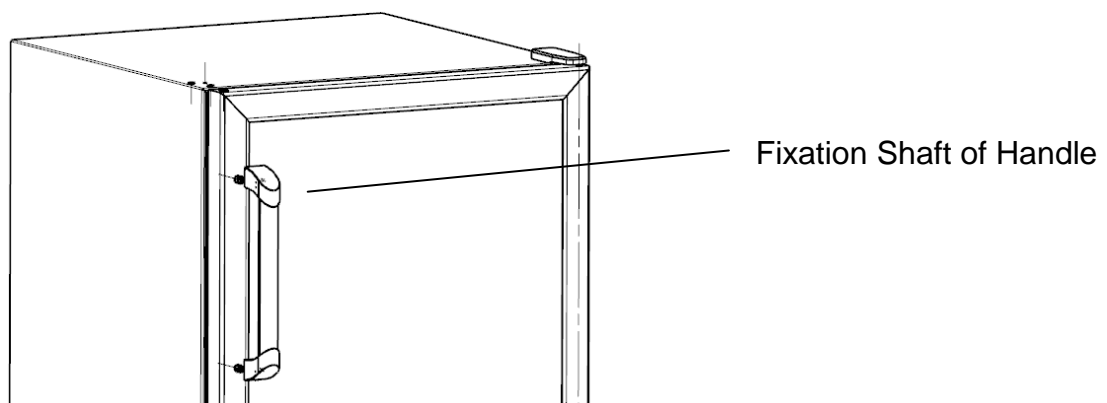
1. Set the handle on the fixation shaft.

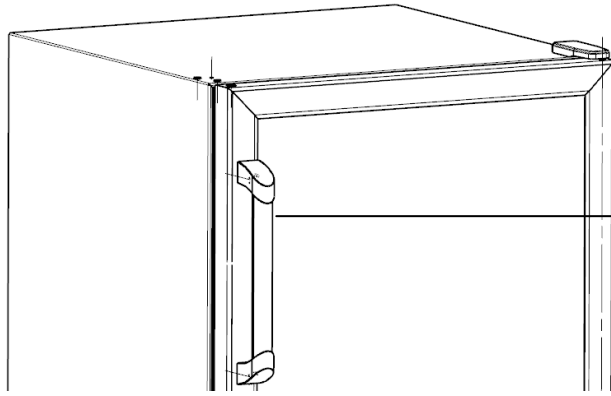


2. Screw down the fixation pins of the handle with screw driver.



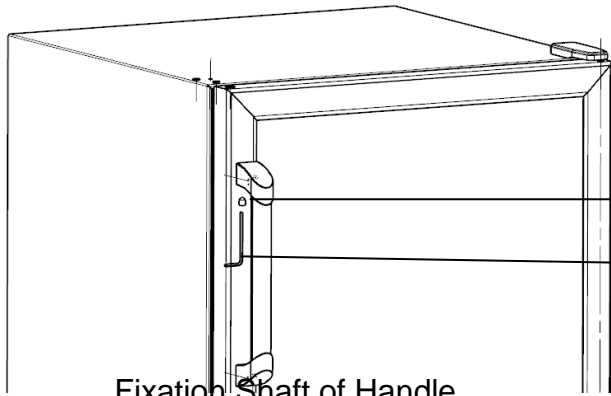
1. Set the handle on the fixation shaft.





Set Handle

2. Screw down the fixation pins of the handle with screw driver.



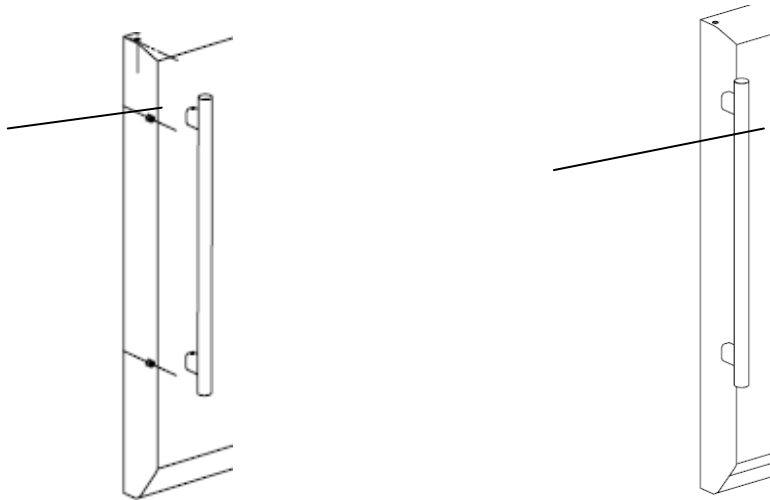
Handle Fixation Pin

Screw Driver

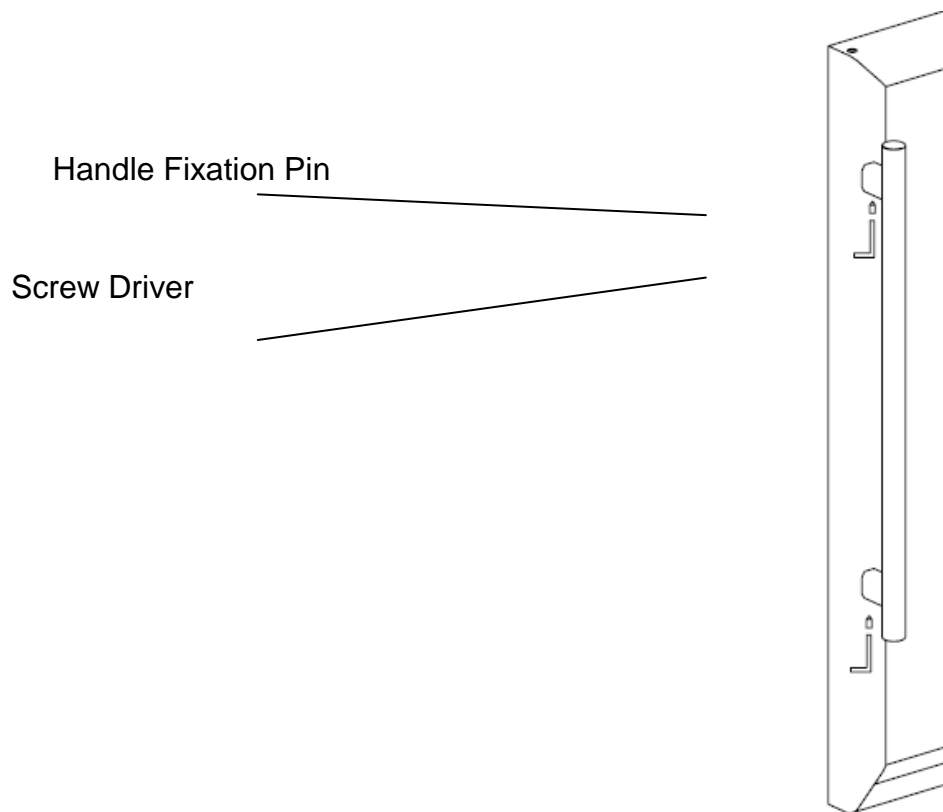
Set Handle

Fixation Shaft of Handle

1. Set the handle on the fixation shaft.



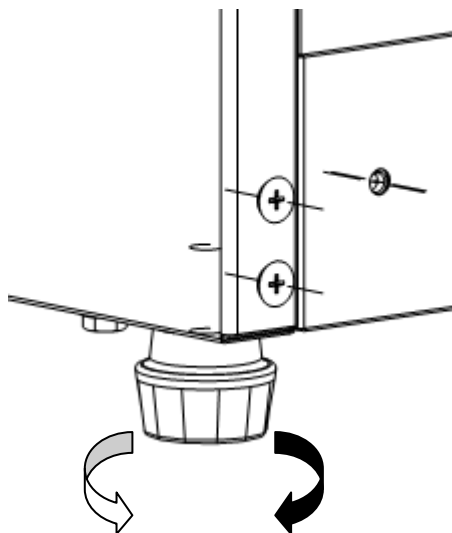
2. Screw down the fixation pins of the handle with screw driver.



### Level the Wine Cooler

Place the wine cooler on the planned location and level it.

The front screw leg is adjustable.



### Turn on the wine cooler and set up temperature

The screen is shown as the following picture:



Indication of Temperature in Lower Chamber


▲ : Press this button once and the temperature increase 1°C.

▼: Press this button once and the temperature decrease 1°C.

Indication of Temperature in Upper Chamber

▲ : Press this button once and the temperature increase 1°C.

▼: Press this button once and the temperature decrease 1°C.

: Temperature display.

**LIGHT**: Lighting button for LED lamp; it controls the on/off of lamp.

**POWER**: On/off button used to turn on/off all load.

Press **LIGHT** and **POWER** together for 2 seconds and you can convert between fahrenheit temperature and Celsius temperature.

### **Notice!**

- The upper room temperature range is 5~12°C, the down room temperature range is 12~18°C. the default temperature is 8/15°C, and the temperature after power failure will be the temperature set before the power failure.
- To elongate the service life of compressor, please wait for at least 5 minutes before the wine cooler is restarted after power failure.
- Failure display
- If there is failure on the sensor, the screen may display failure code, such as: E and F. When the screen displays the above-mentioned errors, please do not disassemble it for check by yourself. You should contact local after-sales service personnel for repair.
- If the temperature in the cooler is too low, it will display "L".

When the temperature in the cooler is too high, the screen will display "H" and will flash; under this state, the buzzer will buzz once every one second until 30 seconds; one minute later, the buzzer will continue to give alarm in the next 30 seconds; after the alarm is given for three times, it will not give alarm any more. You can press any key to cancel sound alarm.

- When you put a lot of wines together in the cooler, the temperature in the cooler may rise temporarily.

### **Hints for Operation**

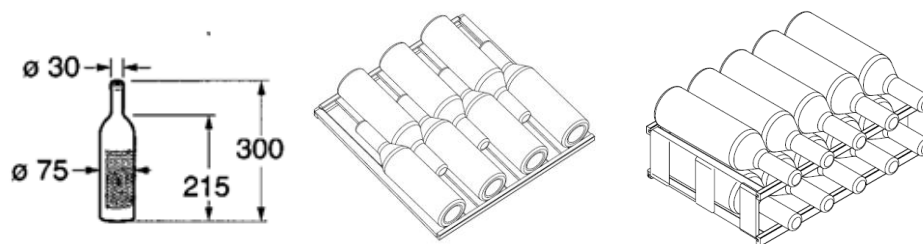
In the operation of compressor, the back wall of the chilling chamber will form water ball or frost because this is determined by the functions of wine cooler. You do not need to defrost or wipe off water drops because the back wall is able to defrost automatically. The defrosted water will be collected to discharge channel and the water will flow to the water receiver above the compressor and will be vaporized there.

*When there is too much frost at the back of inner side of cabinet, pls turn off the power until the defrosting is finished.*

## Placement of Wine Bottle

When you place the Wine bottles, please note:

- The capacity for bottle storage in the wine cabinet is based on the following marked bottle size. Oversized bottle may have impact on the number of bottle storage in the wine cabinet.



- To maintain the perfect air ventilation in the wine cooler, the bottle should not touch the back wall of the chilling chamber.
- The number of bottles might be different for different bottles with different shapes and sizes.
- Because some space is occupied by the compressor, the lower part of the wine cooler is comparatively low and it can be used to place Wine tins or the short wine bottles.

## Effective Cubage

Please see the model nameplate on the wine cooler for the description on effective cubage.

## Use Temperature Area in Chilling Cabinet

Due to the air circulation in the wine cooler, some areas with different temperatures are generated:

The upper area has the highest temperature

The lower area has the lowest temperature

### **Placement of Wine cooler**

Please store different wines according to the following sequence from up to down:

- Strong red wine
- Rose wine and gentle red wine
- White wine
- Champaign and light sparkling wine

We recommend pour wine into glass at the temperature lower than the drinking temperature because the temperature of wine will increase quickly when it's poured into glass.

### **Practical Skills for Storage of Wine**

- The bottled wine should not be stored in the chilling chamber in a whole case or box before the whole case or box has been opened.
- When old bottles are placed in the wine cooler, please make sure that the bottle cork can always be wetted. Do not leave space between the wine and the bottle cork.
- The open type bottle rack is especially suitable because it will not separate air circulation, so the atmosphere moisture on the bottle can be quickly dried by air ventilation.
- Before you drink the wine, the wine temperature should be risen slowly: For example, you can place the rose wine or red wine on the table respectively 2-5 hours or 4-5 hours before you drink, so you can have the proper drinking temperature. On the contrary, the white wine can be placed on the table directly. The champagne should be stored in the wine cooler until you want to drink.
- Please make sure that the temperature of the wine is always lower than the ideal drinking temperature because when you drink the wine into glass,

the temperature of the wine will increase 1 - 2°C immediately!

## **Drinking Temperature**

The correct temperature of pouring wine determines the smell of wine, as well as the taste of wine.

We recommend you pour wines into glass at the following drinking temperatures:

Wine Type	Drinking Temperature
Bordeaux red	18°C
Côtes du Rhône red/Barolo	17°C
Burgundy red/Bordeaux red	16°C
Port	15°C
Young Burgundy red	14°C
Young red wine	12°C
Young Beaujolais/all white wines with little residual sugar	11°C
Old white wines/Chardonnay	10°C
Sherry	9°C
Young white wines from late vintage	8°C
White wines Loire/Entre-deux-Mers	7°C

## **Power-off & Stop Using of Wine Cooler**

### **Turn off Wine Cooler**

Pull out the power plug, and the wine cooler will be turned off.

### **Stop Using Wine Cooler**

If you're not going to use the wine cooler for a long time:

1. Pull out power plug
2. Clean the wine cooler
3. Open the door of wine cooler.



## **Cleaning Wine Cooler**

You should do the following operation:

1. Pull out power plug or disconnect the protecting device!
2. Scrub the sealing parts of the door only with clean water and soon wipe the water off thoroughly.
3. Please clean the wine cooler with slightly warm water and a little detergent agent. Do not splash water to the operation control element or the lighting system on the glass door.
4. Reconnect the wine cooler with power source and then connect it with power source after it has been cleaned.

### **Hints**

Do not use detergent agent or solvent containing sands or acid.

Please regularly clean the scupper, so the dew can be discharged. You can use small stick or similar objects to clean the scupper.

### **Energy Saving**

- Please place the wine cooler in dry and ventilated room! The wine cooler should not be placed on the location where can be directly irradiated by sunshine or where is close to heating sources, such as: heating radiator or cooking stove, etc. If necessary, you can use heating insulation board.
- Try to shorten the opening time of door of wine cooler!
- First let Wine cool down and then place the Wine into wine cooler!
- Try not to open the door too often, especially when the weather is wet or hot. Once you open the door, mind to close it as soon as possible.

### **Operation Noise**

#### **Normal Noise**

Hum – the noise is cause by operation of the refrigeration unit.

Coo, rumbling or gurgle – the noise is caused by flow of cooling agent in the pipeline.

## Noise that can be removed easily

The noise caused by unevenness of placement of wine cooler

You can use gradienter to correct and level the wine cooler. You can use screw leg to level it or you can place mat under the wine cooler to level it.

The noise generated when the wine cooler leans against other furniture.

Move the wine cooler away from the furniture or equipment, against which the wine cooler leans.

The noise caused by mutual touch of vessels

Slightly separate the bottles or vessels from each others

## Troubleshooting By Yourself

Before you call the after-sales service phone number, please check if you are able to remove the failures according to the following hints.

Failures	Possible Causes	Remediation Measures
Temperature is quite different from setting value		Sometimes, the problem can be removed if you just turn off power of the wine cooler for 5 minutes and then restart it. If the temperature is too high, you can check it several hours later to see if the temperature is consistent with the setting value. If the temperature is too low, you can check the temperature again in the next day.
The inside of wine cooler is not cold	You open the door of wine cooler very often; You place too many Wine bottles in it	Reduce the frequency to open the door of wine cooler. Wait for 4 – 5 hours.

The wine cooler doesn't cool down	The wine cooler is disconnected with power source of the power supply has stopped; the power plug is not inserted firmly	Press <b>POWER</b> button; Check if power supply is connected.
LED lamp is not on	LED lamp is damaged	Please contact the local after-sales service personnel for repair
Glass door have congealed dew	Indoor temperature and humidity is too high, temperature of wine cooler was set too lower.	Properly turn up the setting temperature of wine cooler, while dry off dew on the glass door

The logo for 'Premium' is located in the bottom right corner. It features the word 'Premium' in a serif font, enclosed within a white oval shape that has a thin black outline. The background of the entire page is white, with a grey wavy shape at the top and a black horizontal bar at the bottom.

Premium

**Manual de uso y cuidado**  
**Precauciones importantes**

Éste producto es para uso doméstico únicamente