

DVE45T3400V

SAMSUNG

Samsung 7.4 cu. ft. Capacity Top Load Electric Dryer with Sensor Dry



Signature Features

Sensor Dry

- Helps prevent overdrying for optimal fabric care.

Large 7.4 cu. ft. Capacity

- Fewer loads, less time in the laundry room, and more time doing the things you love.

10 Preset Drying Cycles

- More cycles to cover almost every drying need for your active family.

Available Color



Black Stainless Steel



Sensor Dry



Large 7.4 cu. ft. Capacity

Features

- Sensor Dry
- Large 7.4 cu. ft. Capacity
- 10 Preset Drying Cycles
- Reversible Dryer Door
- Smart Care*
- 7 Additional Drying Options
- 4 Temperature Levels
- Wrinkle Prevent
- 4-Way Venting
- Powder Coat Interior
- LED Display: Ice Blue

Convenience

- Child Lock
- Filter Check Indicator

Rating

644 kWh/yr

Electrical Requirement:

120V/ 240V / 60Hz
30 Amps

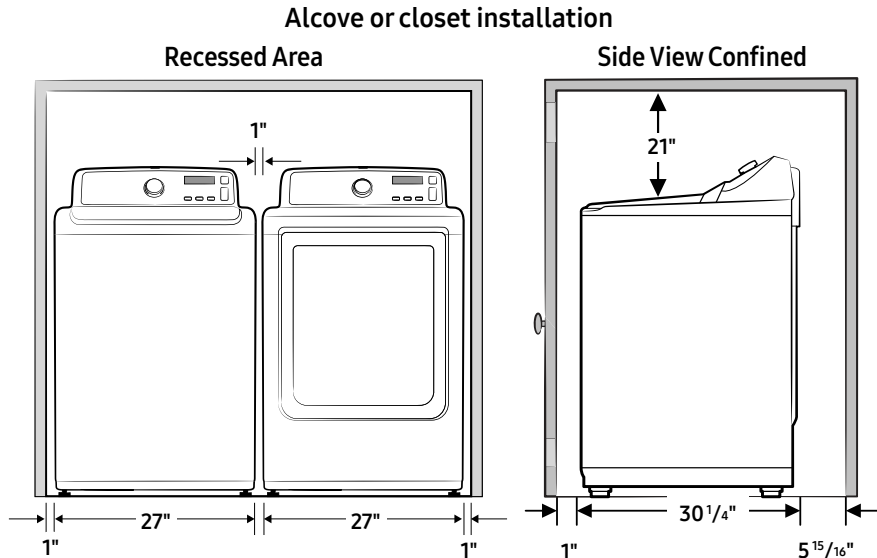
*Requires Samsung Smart Washer/Dryer App. The Samsung Smart Washer/Dryer App supports Android OS 2.3.6 or later and iOS 3 or later for iPhone models. Samsung Smart Washer/Dryer App available in App Store and Play Store.

DVE45T3400V

SAMSUNG

Samsung 7.4 cu. ft. Capacity Top Load Electric Dryer with Sensor Dry

Installation Specifications



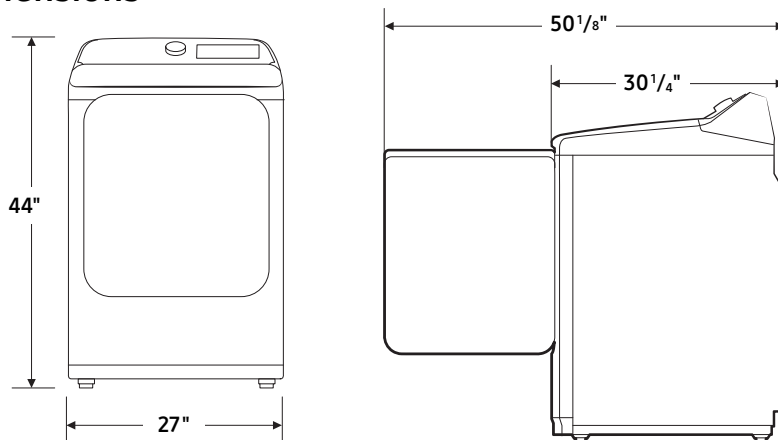
Minimum clearances for closets and alcoves:

- Sides – 1"
- Top – 21"
- Rear – 5¹⁵/₁₆"
- Closet Front – 1"

If both the washer and a dryer are installed in the same location, the front of the alcove or closet must have two unobstructed air openings for a combined minimum total area of 72-inch². This clearance requirement is applicable for washer and dryer pair installation.

For washer's clearance requirement, see the washer's user manual.

Dimensions



4-Way Venting

10 Preset Drying Cycles:

Normal, Heavy Duty, Permanent Press, Bedding, Delicates, Sanitize, Time Dry, Air Fluff, Quick Dry, Wrinkle Release

7 Additional Drying Options:

Mixed Load Bell, Wrinkle Prevent, Adjust Time (Up), Adjust Time (Down), Child Lock, Sound On/Off, Smart Care

4 Temperature Levels:

High, Medium, Low, Extra Low

4 Dry Levels:

Very Dry, More Dry, Normal Dry, Damp Dry

Warranty

One (1) Year Parts and Labor

Product Dimensions & Weight (WxHxD)

Dimensions: 27" x 44" x 30¹/₄"



Weight: 110.2 lbs

Shipping Dimensions & Weight (WxHxD)

Dimensions: 29⁹/₁₆" x 46⁷/₈" x 31³/₁₆"

Weight: 119.0 lbs

Electric	Model #	UPC Code
Black	DVE45T3400V	887276430614
Stainless Steel		
Gas		
Black	DVG45T3400V	887276430621
Stainless Steel		
Matching Washer		
Black	WA45T3400AV	887276433431
Stainless Steel		
Accessories		
Vent Kit	DV-2A	887276146416

	Recommended	Use only for short-run installation
Weather hood type	 4"	 2.5"
Number of 90° elbows	Rigid	Rigid
0	80 ft.	74 ft.
1	68 ft.	62 ft.
2	57 ft.	51 ft.
3	47 ft.	41 ft.