

**KITCHEN SINK FAUCET  
K-10445**

ADA

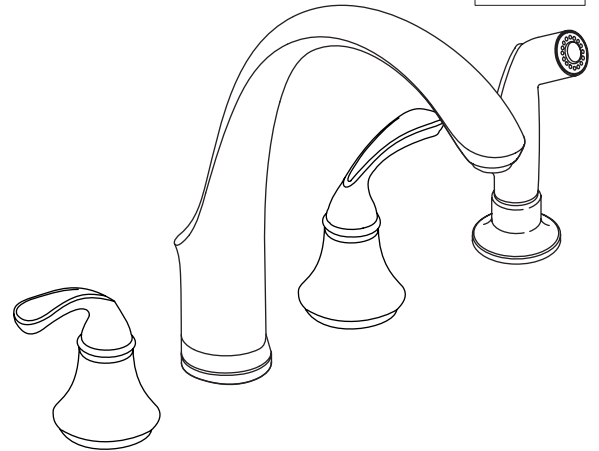
**Features**

- Metal construction
- Two quarter-turn washerless ceramic disc valves
- ADA compliant lever handles
- 7-3/4" (19.7 cm) swing spout reach
- Flexible connections for easy installation
- Matching finish sidespray
- For 8" (20.3 cm) centers
- Lower flow aerator options are available (refer to the Kohler Price Book)
- 2.2 gpm (8.3 lpm) maximum flow rate

**Codes/Standards Applicable**

Specified model meets or exceeds the following at date of manufacture:

- ADA
- ASME A112.18.1/CSA B125.1
- ICC/ANSI A117.1
- Energy Policy Act of 1992
- NSF 61
- All applicable US Federal and State material regulations



**Colors/Finishes**

- CP: Polished Chrome
- Other: Refer to Price Book for additional colors/finishes

**Accessories**

- CP: Polished Chrome
- Other: Refer to Price Book for additional colors/finishes

**Specified Model**

Model	Description	Colors/Finishes	
K-10445	Kitchen sink faucet	<input type="checkbox"/> CP	<input type="checkbox"/> Other ____
<b>Recommended Accessories</b>			
K-1893	Soap/lotion dispenser	<input type="checkbox"/> CP	<input type="checkbox"/> Other ____
K-8801	Duostrainer® sink strainer with tailpiece	<input type="checkbox"/> CP	<input type="checkbox"/> Other ____

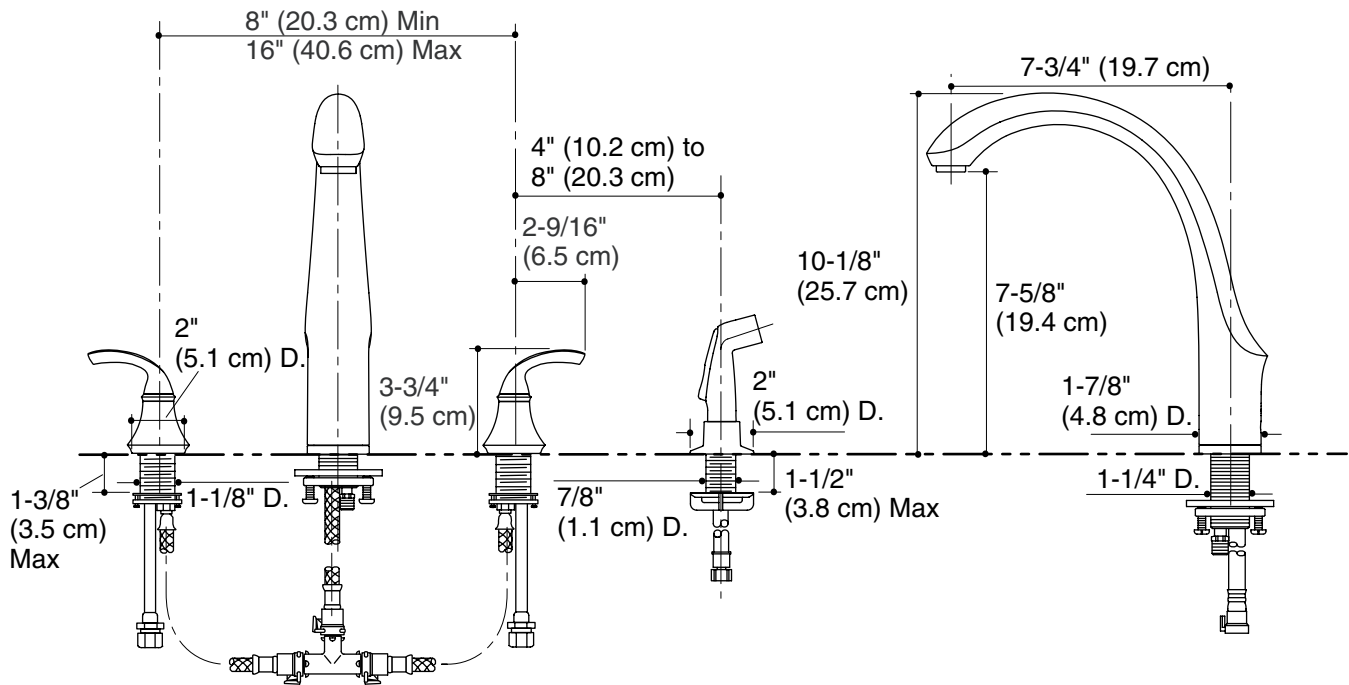
**Product Specification**

The two-handle kitchen sink faucet shall be of metal construction. Product shall have a maximum flow rate of 2.2 gallons (8.3 L) per minute with lower flow aerator options available (refer to the Kohler Price Book). Product shall feature two quarter-turn washerless ceramic disc valves, ADA compliant lever handles, 7-3/4" (19.7 cm) swing spout reach, and flexible connections for easy installation. Product shall feature a matching finish sidespray. Product shall be for 8" (20.3 cm) centers. Kitchen sink faucet shall be Kohler Model K-10445-\_\_\_\_.

# FORTÉ®

## Installation Notes

Install this product according to the installation guide.



## Product Diagram