

Shallow Well Jet Pumps

Where Used

Shallow Well Jet Pumps are used on applications where the depth to water up to 25 ft.

Typical Application

Mainly used for household water supply from a well, driven point, or open water source. Pumps should be used with Standard or pre-charged pressure tank.

NOTICE: Do not leave in rain or sun.

Pressure Ranges:

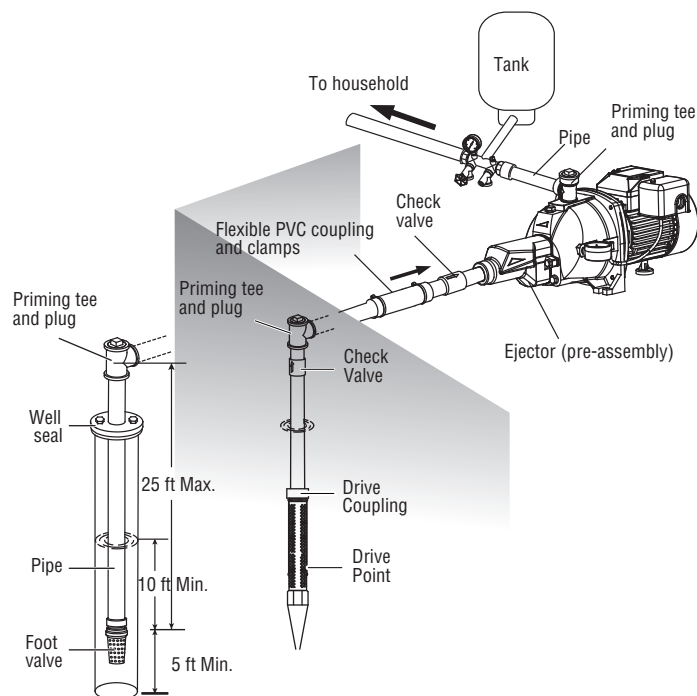
Jet pumps turn on and off by a device called the pressure switch (included with all jet pumps). The pressure range indicates when the pump will turn on and off.

NOTICE: Shallow well ejector is pre-assembled in front of the housing.

Typical Installations

NOTICE: It is necessary to drain the entire system where the pump, tank, and piping will be subjected to freezing. Drain openings are provided on all models.

NOTICE: Verify proper installation of check valve and foot valve.



Frequently Asked Question

1. How can I determine which style pump I am replacing?

One pipe between water source and pump indicates a Shallow Well pump, two pipes Deep Well pump.

2. What additional items do I need for shallow well?

Additional items needed	Size	Internet#
Foot valve	1-1/4 in	205618048
Priming tee	1-1/4 in	100120387
NPT plug	1-1/4 in	100574298
Coupling	1-1/4 in	203811385
PVC pipe schedule 80	1-1/4 in	100182626
Coupling	1-1/4 in	203811387
Threaded adapter	1-1/4 in male adapter	205727747
Well seal	4 in	300494432
Flexible PVC coupling	1-1/4 in	100055392
Check valve	1-1/4 in	206828008

NOTICE: In shallow well it is recommended to install or replace the foot valve, and a combination check valve. These pumps should always be used with a pressure tank (The larger the tank, the less the pump will turn on and off.).

3. Will the pumps operate regardless of the voltage – 115 or 230?

The pump is factory pre-wired for 230 volts but can be changed to operate on 115 volts (see owner's manual). When replacing an existing pump, look on the existing pumps identification label for voltage information.

4. Where is an ejector kit mounted on a Shallow Well Jet Pump?

The ejector kit is mounted onto the nose of the jet pump in front of the pump impeller.

