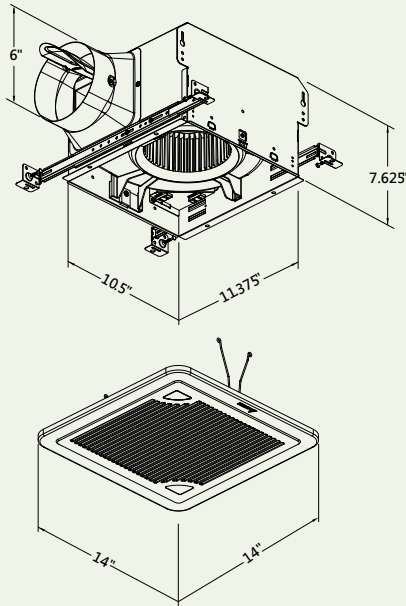




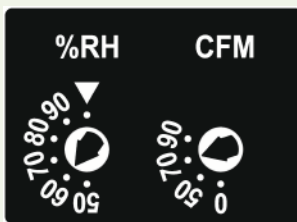
Delta BreezSmart Ventilation Humidity Sensor Fan Specifications

SMT130H
(130 CFM)

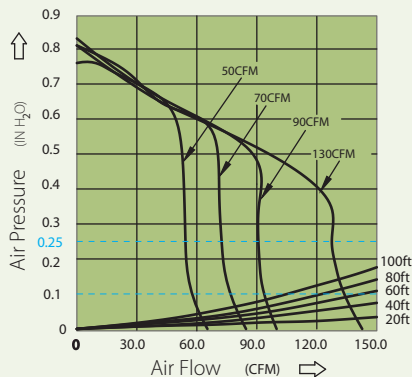
Dimensions



Built-in Controls



Fan Curve



Description

Low noise ceiling mount ventilating fan rated for continuous running. Fan has been awarded ENERGY STAR® Most Efficient in 2013, HVI certified, ASHRAE 62.2 (continuous and intermittent operation), CALGreen, and CA Title 24 compliant, and is evaluated by Underwriter Laboratories, conforming to both UL and cUL safety standards.

Motor/Blower

- Power rating of 120volts/60Hz
- DC brushless motor engineered to run continuously
- Motor equipped with thermal cutoff fuse
- Removable with permanently lubricated motor

Housing

- Galvanized steel body
- Detachable 6" diameter metal duct adapter
- Built-in backdraft damper
- Easy installation with expandable extension bracket

Grille

- Attractive design using ABS material
- Attaches directly to housing with torsion springs

Warranty

- 3-year limited warranty

Features

- Blue and amber LED indicator lights to show humidity control and full speed modes
- Adjustable humidity set points between ~50% to ~90% RH
- Adjustable low speed airflow
- For ceiling mount only, airflow of 130 CFM (±10%) and <0.3 sones at 0.1 static pressure
- Power consumption approximately 11.6 Watts with an efficiency rating approximately 11.2 CFM/Watt at 0.1" static pressure
- UL and cUL listed for tub/shower enclosure when used with GFCI-protected branch circuit wiring

DC Motor Technology

- Allows fan to operate in full speed mode or humidity control mode by manual switch
- For humidity control mode, when humidity is above the user-adjustable set-point, fan runs at full speed (130 CFM). When humidity is below the set-point, the fan runs continuously at a user-preset lower level (0, 50, 70, 90 CFM)
- Built-in soft start function to increase bearings' life
- Automatically powers off when the impeller is locked abnormally

Specifications

SMT130H	6" Duct (Standard)							
	Continuous Low Speed						Full Speed	
Fan Speed								
Static Pressure (Inches w.g.)	0.1	0.25	0.1	0.25	0.1	0.25	0.1	0.25
Air Flow (CFM)	50	49	70	68	90	88	130	124
Sones	<0.3	0.7	<0.3	0.7	<0.3	0.7	<0.3	0.7
Power Consumption (Watts)	5.6	10.7	6.9	12.0	8.0	14.0	11.6	20.0
Energy Efficiency (CFM/Watt)	8.9	4.5	10.1	5.6	11.2	6.2	11.2	6.2
Current (Amps)	0.44 Max							
Power Rating (V/Hz)	120/60							