

Features

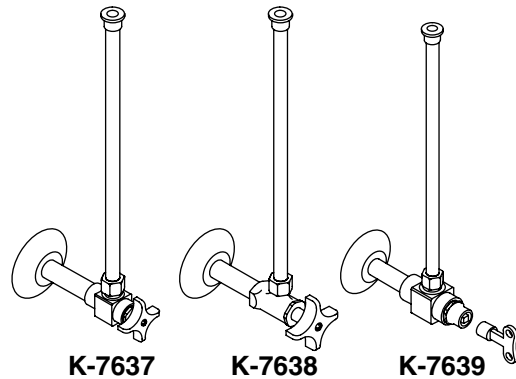
- Brass construction
- Compression valve
- Vertical metal supply tube with flange
- Flange

Codes/Standards Applicable

Specified model meets or exceeds the following at date of manufacture:

- ASME A112.18.1/CSA B125.1
- NSF 61
- All applicable US Federal and State material regulations

ANGLE SUPPLY WITH STOP, SINGLE
K-7637
ALSO K-7638, K-7639



Colors/Finishes

- CP: Polished Chrome
- PB: Vibrant® Polished Brass
- Other: Refer to Price Book for additional colors/finishes

Specified Model

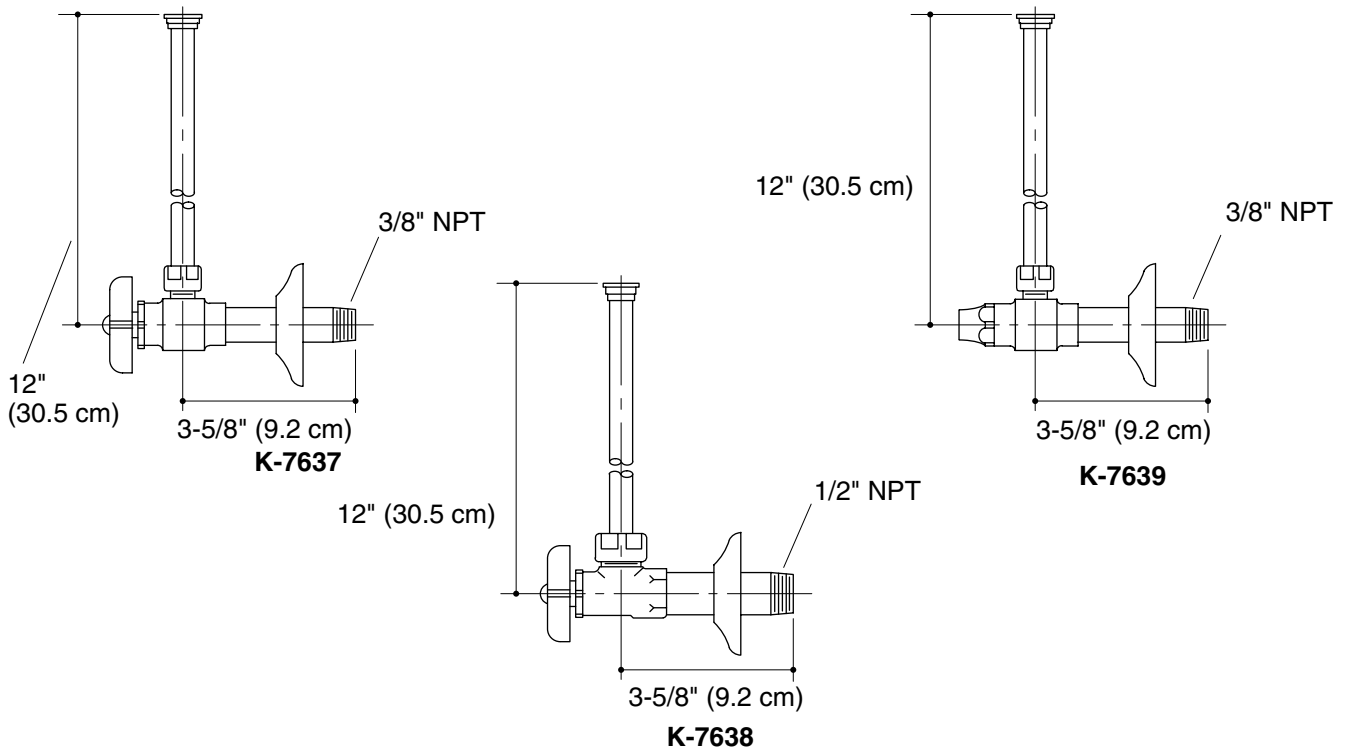
Model	Description	Colors/Finishes		
K-7637	Angle supply with stop, single with 3/8" NPT connection and four-arm handle stop	<input type="checkbox"/> CP	<input type="checkbox"/> PB	<input type="checkbox"/> Other_____
K-7638	Angle supply with stop, single with 1/2" NPT connection and four-arm handle stop	<input type="checkbox"/> CP	<input type="checkbox"/> PB	<input type="checkbox"/> Other_____
K-7639	Angle supply with stop, single with 3/8" NPT connection and loose key stop	<input type="checkbox"/> CP		

Product Specification

Angle supply with stop shall be of brass construction. Product shall feature a compression valve. Product shall include flange, and vertical metal supply tube with flange. Supply (single) shall be Kohler Model K-_____-_____.

Installation Notes

Install this product according to the installation guide.



Product Diagram