

Installation

1. Consult a local qualified electrician if you are not sure about the installation.
2. Ensure the electricity is **TURNED OFF** at the main circuit breaker or fuse box. **DO NOT ATTEMPT TO INSTALL FIXTURE WITH THE POWER ON**
3. Select a suitable dry mounting location (for indoor use only). Make sure the mounting surface is capable of supporting the fixture.
4. Open the metal cover.
5. Run the power cord through the connector hole and tighten the screws.
6. Choose the proper knock-off-hole on the body to set on the connector and tighten the screws.
7. Run the power cord through the conduit into the light body, and connect according to positive pole and negative pole. Tightly twist the yellow-green earth cords on the light with those from the conduit. (See diagram 1)
8. Install the light on the placement where the customer needs by screws, set on the metal cover and tighten the screws.
9. Lights connection: open the right side cover of the "Light to Link" and pull out the linking cord. Open the left side cover of the "Light to Be Linked" and insert the linking cord onto the connector. (See diagram 2.)
10. Compatibility to in-wall dimmer team up well to offer you choices of different levels of light output.
- 10.1 Dimmer need to purchase separately
- 10.2 Follow dimmer setup instructions for optimal performance

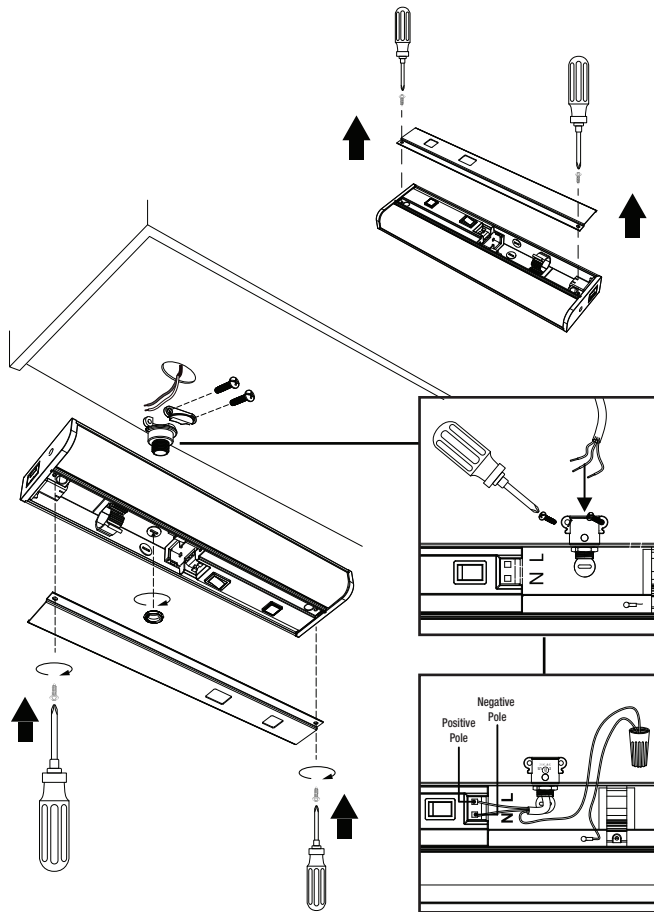


Diagram 1

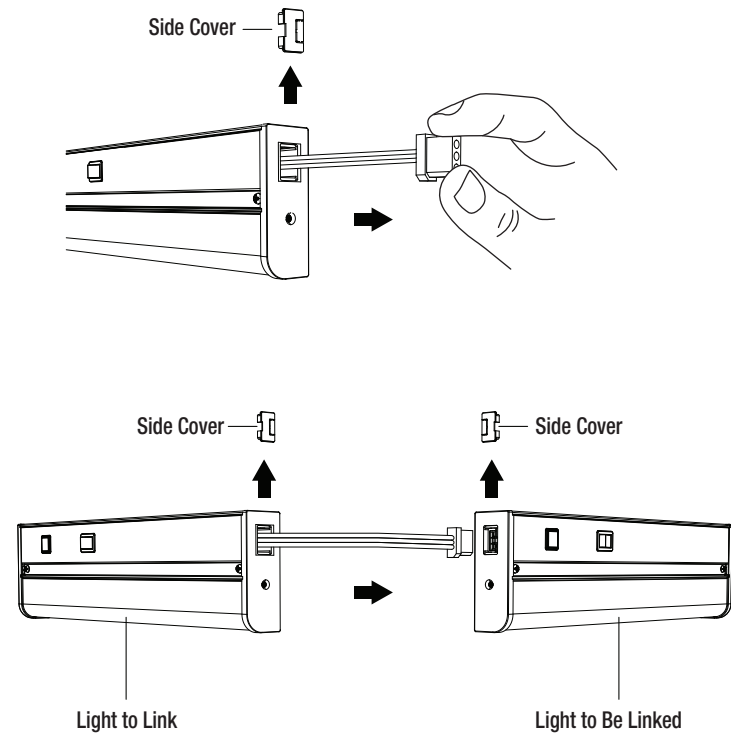


Diagram 2