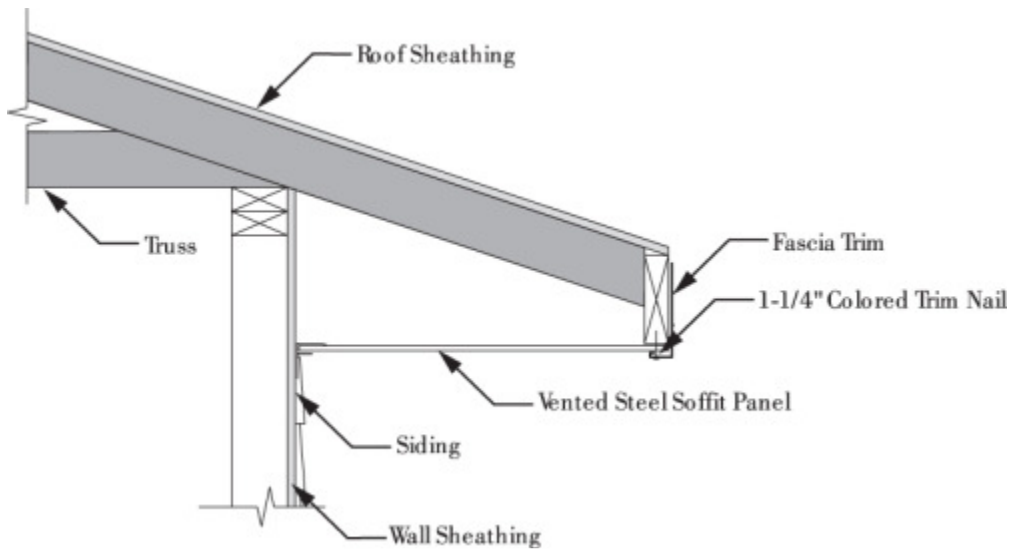


Installing Soffit and Fascia



Overall Skill Level: Intermediate

Installing soffit and fascia.

Steps

1. [Installing Soffit and Fascia](#)
 1. [Measure and mark locations](#)
 2. [Attach frieze starter](#)
 3. [Attach steel soffit](#)
 4. [Attach fascia trim](#)

Tools

- Hammer
- Tape measure
- Tin snips
- Safety glasses and gloves
- Step ladder

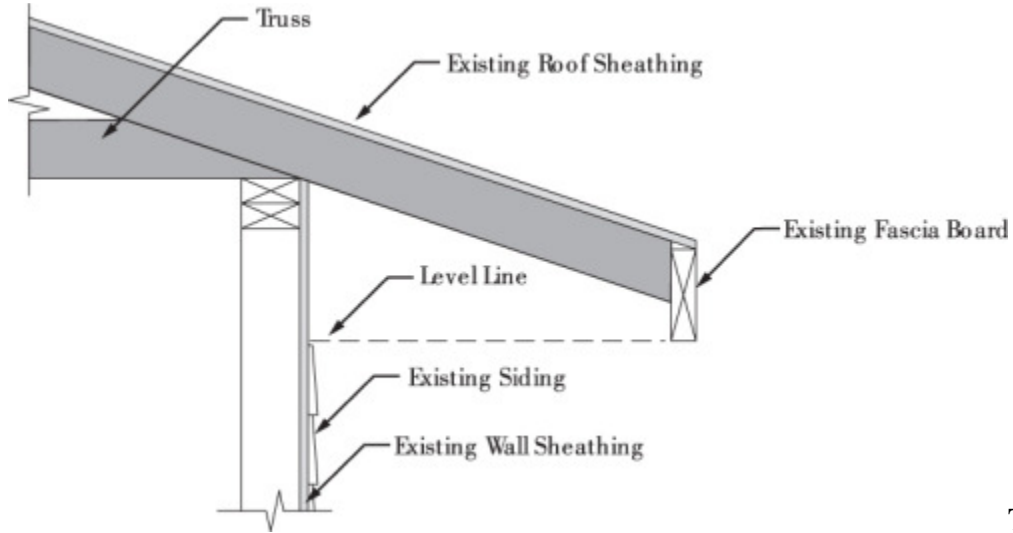
Materials

- Soffit
- Fascia
- Frieze starter
- Roofing nails
- Trim nails

Installing Soffit and Fascia

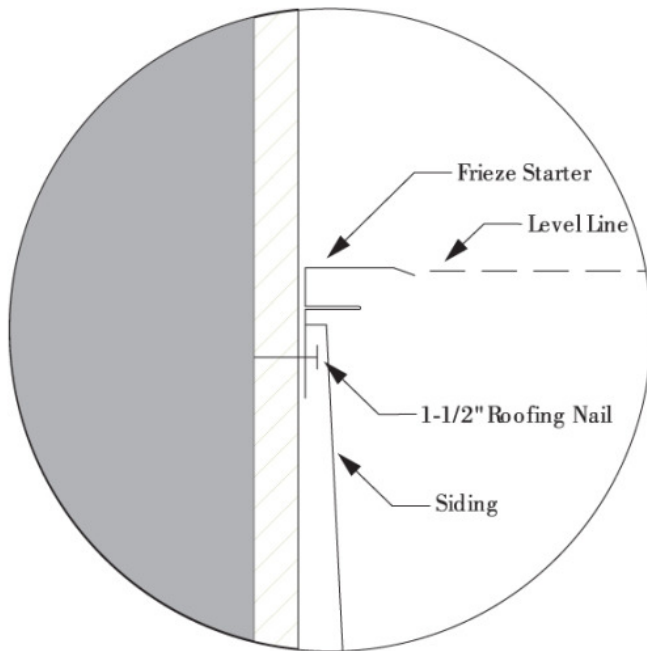
Skill Level: Intermediate

1. Measure and mark locations



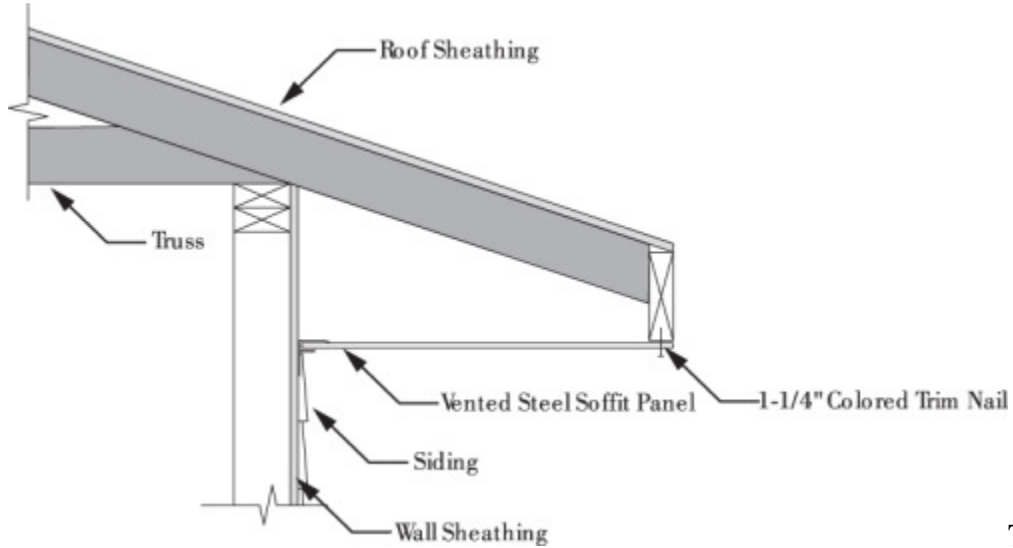
To determine the location for frieze starter, begin by placing a level along the bottom of the fascia board and extending towards the wall. Once it is level create a mark along the top side of the level where it meets the wall. This will be the location of the top of your frieze.

2. Attach frieze starter



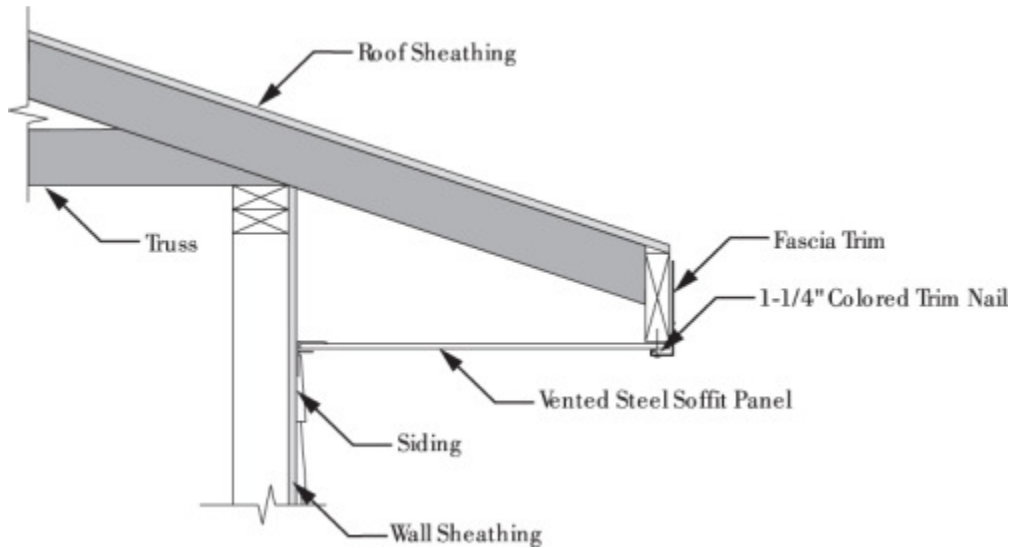
To attach the frieze starter, place the frieze against the wall and align the frieze with the mark you made in step 1. Keeping the frieze level with your mark, attach the frieze to the sheathing using 1 1/2" roofing nails spaced as needed.

3. Attach steel soffit



To attach your steel soffit panel slide one end of the panel into the frieze starter. Attach the outer edge of the soffit to the bottom side of the fascia board using 1 1/4" colored trim nails.

4. Attach fascia trim



To finish off your soffit and fascia, apply fascia trim to the fascia board. Place the top edge of your fascia trim under the bottom lip of the roof edge. Attach the fascia trim on the underside of the fascia board using 1 1/4" colored trim nails spaced as needed.