

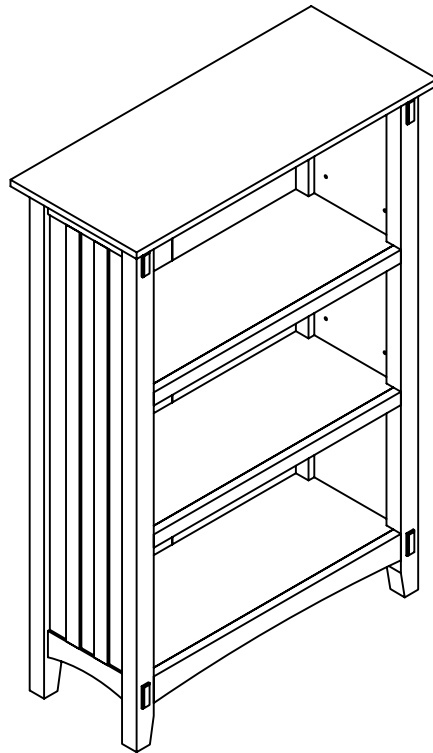
# HOME DECORATORS COLLECTION

SK18511 ARTISAN 3 SHELF BOOKCASE 45.75"Hx31"Wx13"D

INV#92237

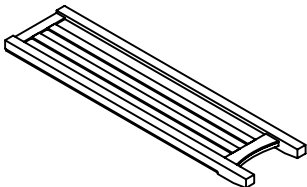
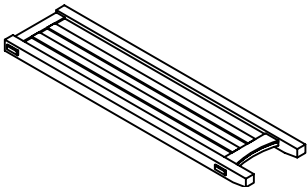
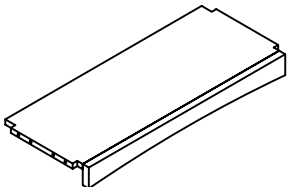
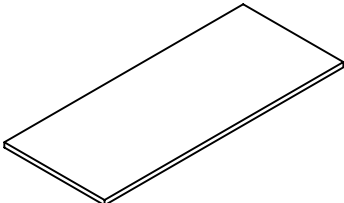
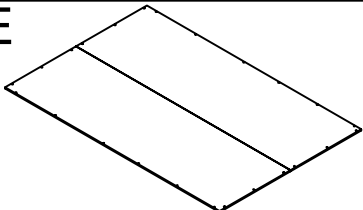
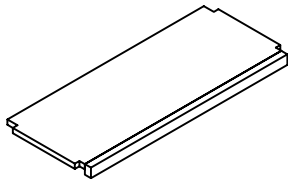
## ASSEMBLY INSTRUCTIONS


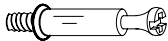




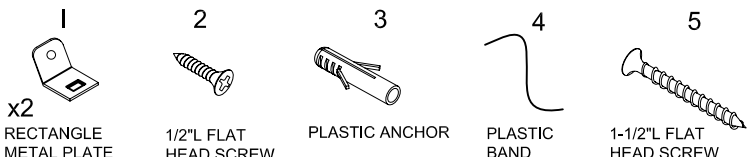
Made In China



Thank you for purchasing this quality product. Be sure to check all packing material carefully for small parts, which may have come loose inside the carton during shipment. Count all parts and material hardware, then compare with parts list to be sure all parts are present. If any parts are missing or damaged, phone, fax, or mail to our Customer Service Department for efficient and speedy service. Please indicate the model number and code letter of part(s) needed.

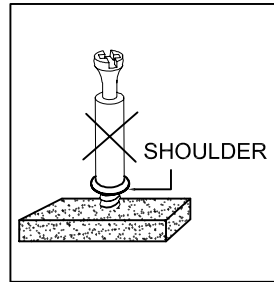
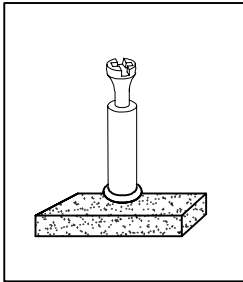
**IMPORTANT NOTE:** Follow instructions listed below in proper sequence as numbered to assure fast, easy and correct assembly.

<b>PARTS LIST</b>		
<b>A</b> 	<b>B</b> 	<b>C</b> 
LEFT SIDE PANEL-1PC	RIGHT SIDE PANEL-1PC	BOTTOM PANEL-1PC
<b>D</b> 	<b>E</b> 	<b>F</b> 
TOP PANEL-1PC	BACK PANEL-1PC	ADJUSTABLE SHELF-2PCS

<p><b>a</b></p>  <p>WOOD DOWEL-8PCS</p>	<p><b>b</b></p>  <p>CAM LOCK BOLT-8PCS</p>	<p><b>c</b></p>  <p>CAM LOCK-8PCS</p>
<p><b>d</b></p>  <p>5/8"L ROUND HEAD SCREW-24PCS</p>	<p><b>e</b></p>  <p>SHELF PIN-8PCS</p>	<p><b>f</b></p>  <p>PLASTIC COVER-4PCS</p>
 <p>ANTI-TIPPING HARDWARE PACKAGE</p>		

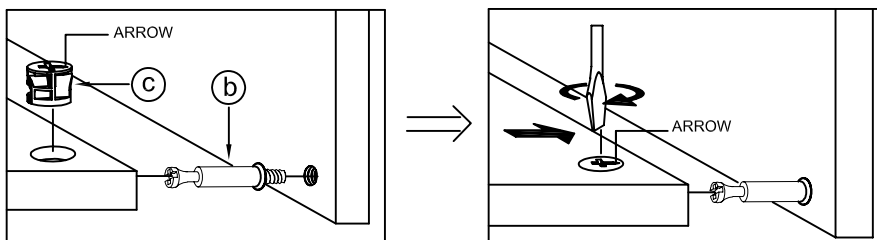
NOTE:THE SURFACE WITH THE STICKER IS THE BACK SIDE

NOTE: • UPON OPENING, THOROUGHLY CLEAN ALL WOOD SURFACES TO REMOVE DUST AND DIRT THAT MAY HAVE SETTLED ONTO THE FINISH DURING SHIPMENT. IN ORDER TO PREVENT DAMAGE DURING ASSEMBLY. PLEASE ASSEMBLE THIS ITEM WITH AT LEAST TWO PEOPLE.



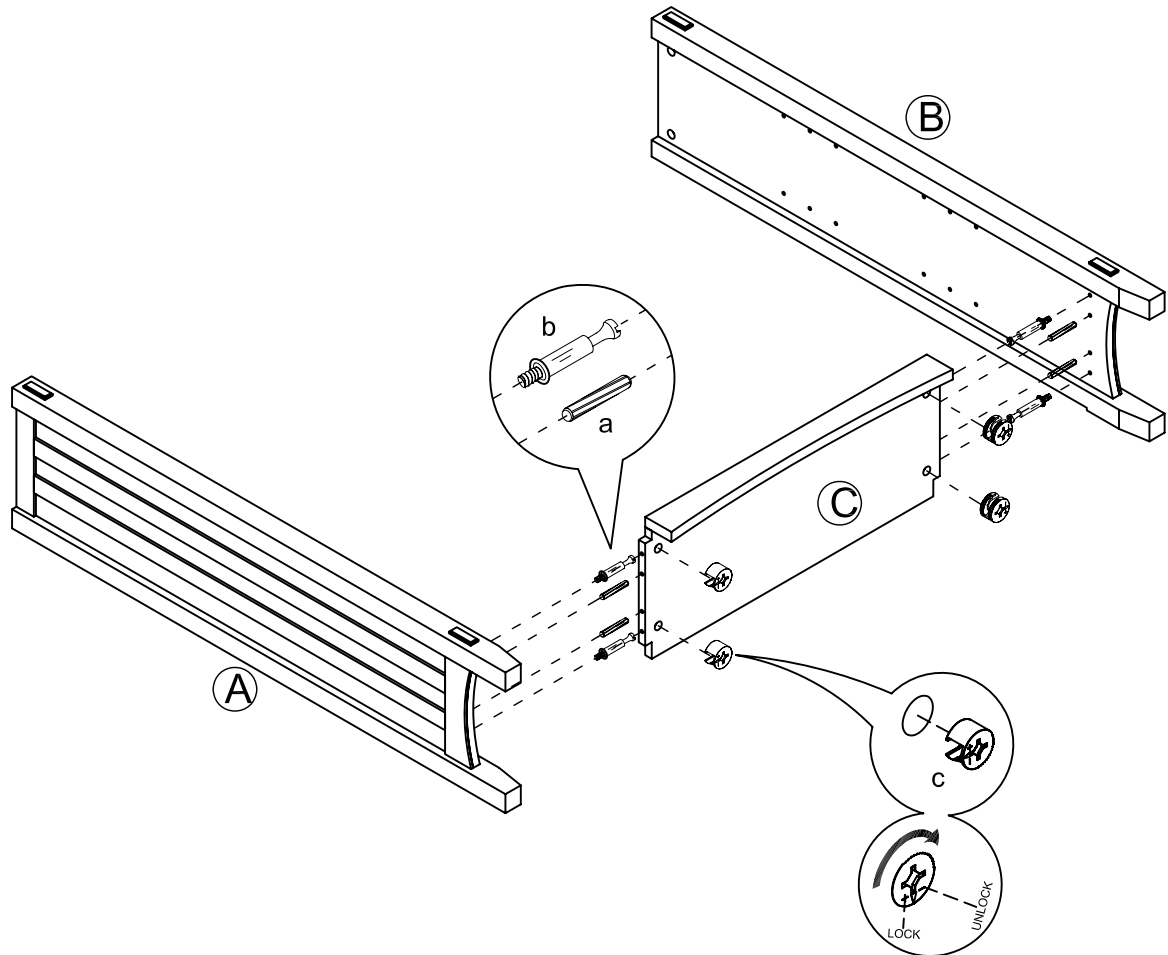
NOTE: TURN THE CAM-BOLT SCREWS UNTIL THEY ARE TIGHT, THE SHOULDER SHOULD BE AGAINST THE SURFACE OF THE PART.

## HOW TO USE THE CAM-TOOL



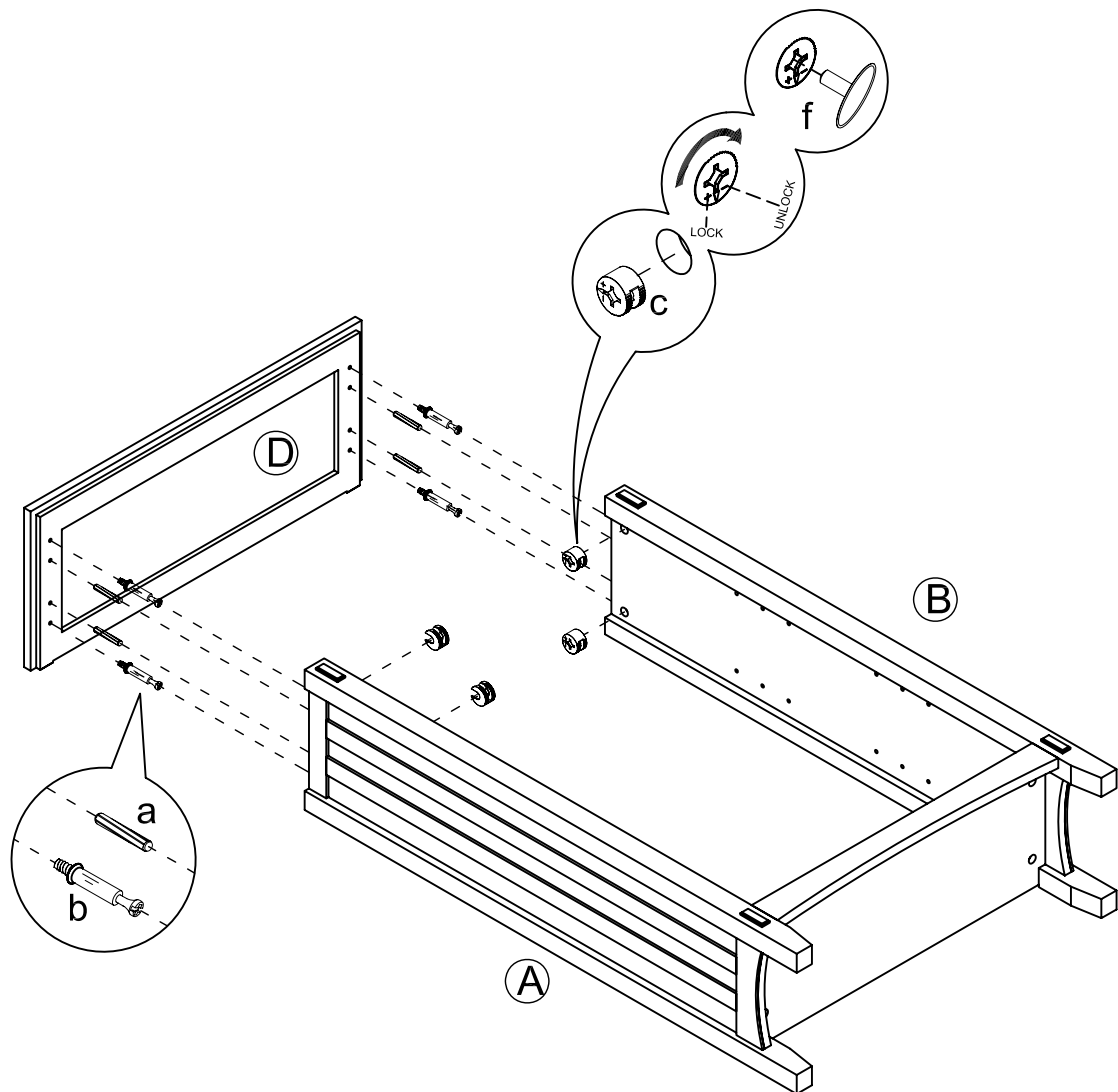
NOTE: • THE ARROWS ON THE HIDDEN CAM-LOCKS SHOULD POINT TO THE CAM-BOLTS.

# FIG 1



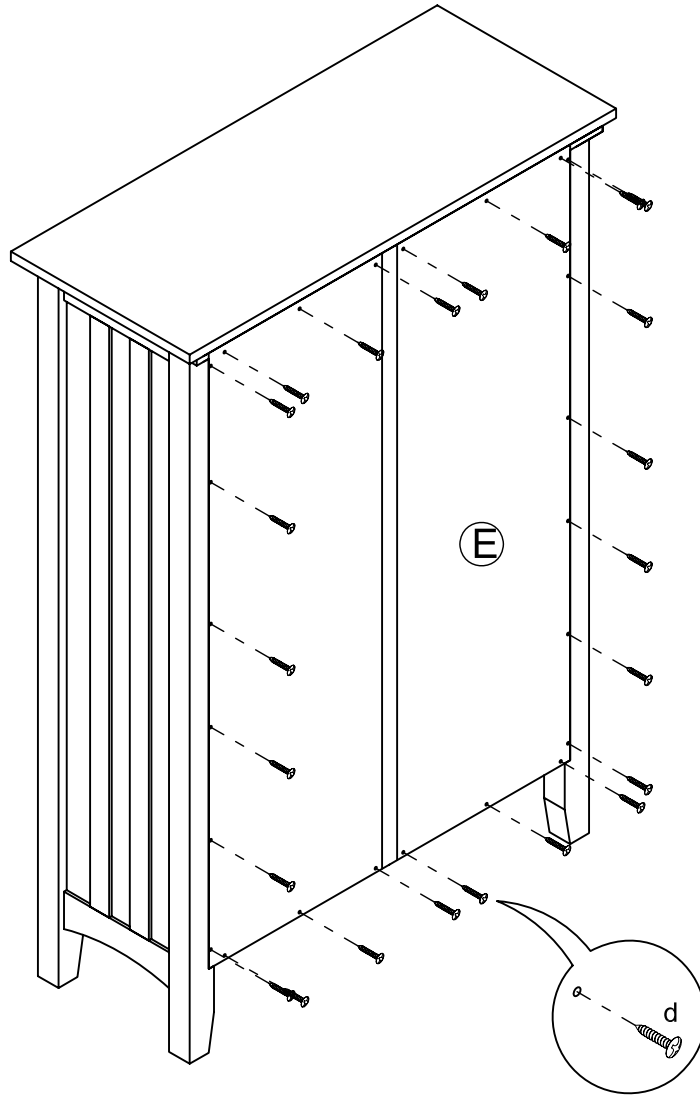
- INSTALL THE WOOD DOWEL (a) AND THE CAM LOCK BOLT (b) INTO THE LEFT SIDE PANEL (A) AND THE RIGHT SIDE PANEL (B).
- JOIN THE LEFT SIDE PANEL (A) AND THE RIGHT SIDE PANEL (B) TO THE BOTTOM PANEL (C) BY USING THE WOOD DOWEL (a) FIRST.
- ONCE JOINED, TIGHTEN CAM LOCK (c) ONTO CAM LOCK BOLT (b) USING PRE-DRILLED HOLES.

# FIG 2



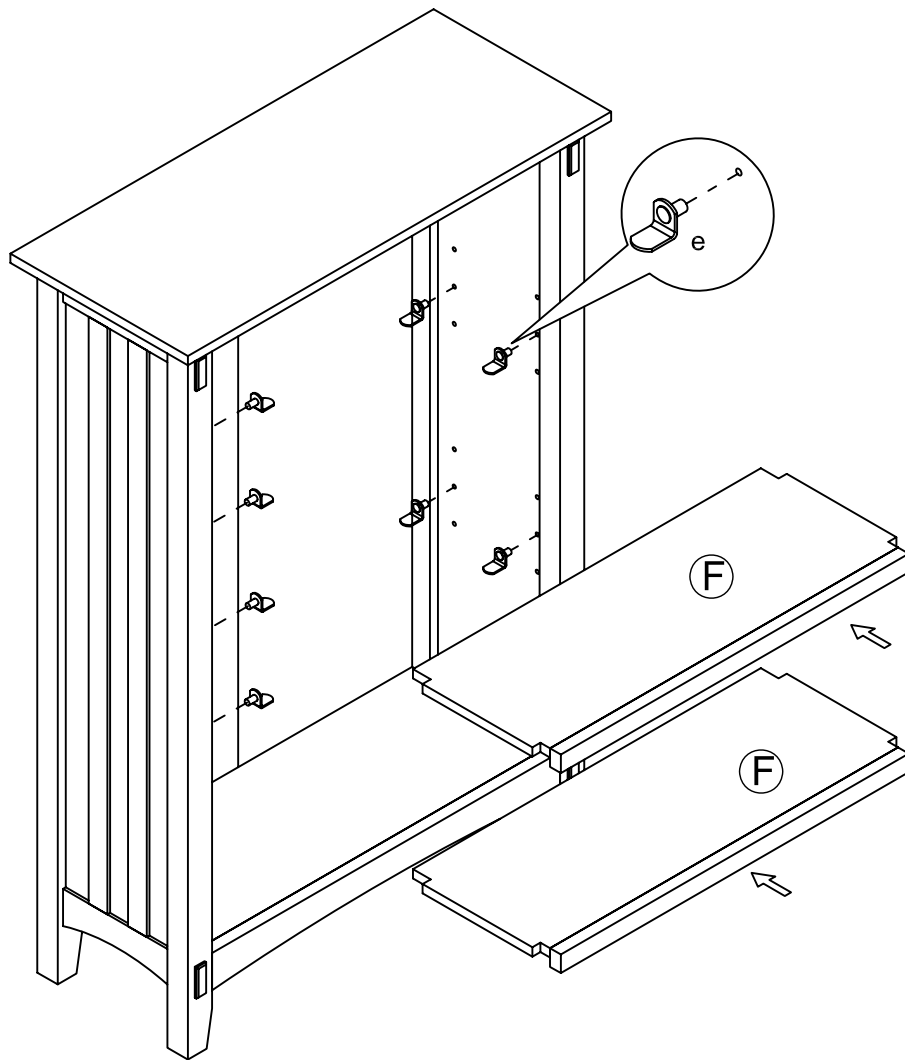
- INSTALL THE WOOD DOWEL (a) AND THE CAM LOCK BOLT (b) INTO THE TOP PANEL (D).
- JOIN THE TOP PANEL (D) TO THE ASSEMBLED PART BY USING THE WOOD DOWEL (a) FIRST.
- ONCE JOINED, TIGHTEN CAM LOCK (c) ONTO CAM LOCK BOLT (b) USING PRE-DRILLED HOLES.
- COVER CAM HOLES WITH THE PLASTIC COVER (f).

FIG 3



- TIGHTEN THE BACK PANEL (E) TO THE ASSEMBLED PART BY USING THE 5/8" ROUND HEAD SCREW (d).

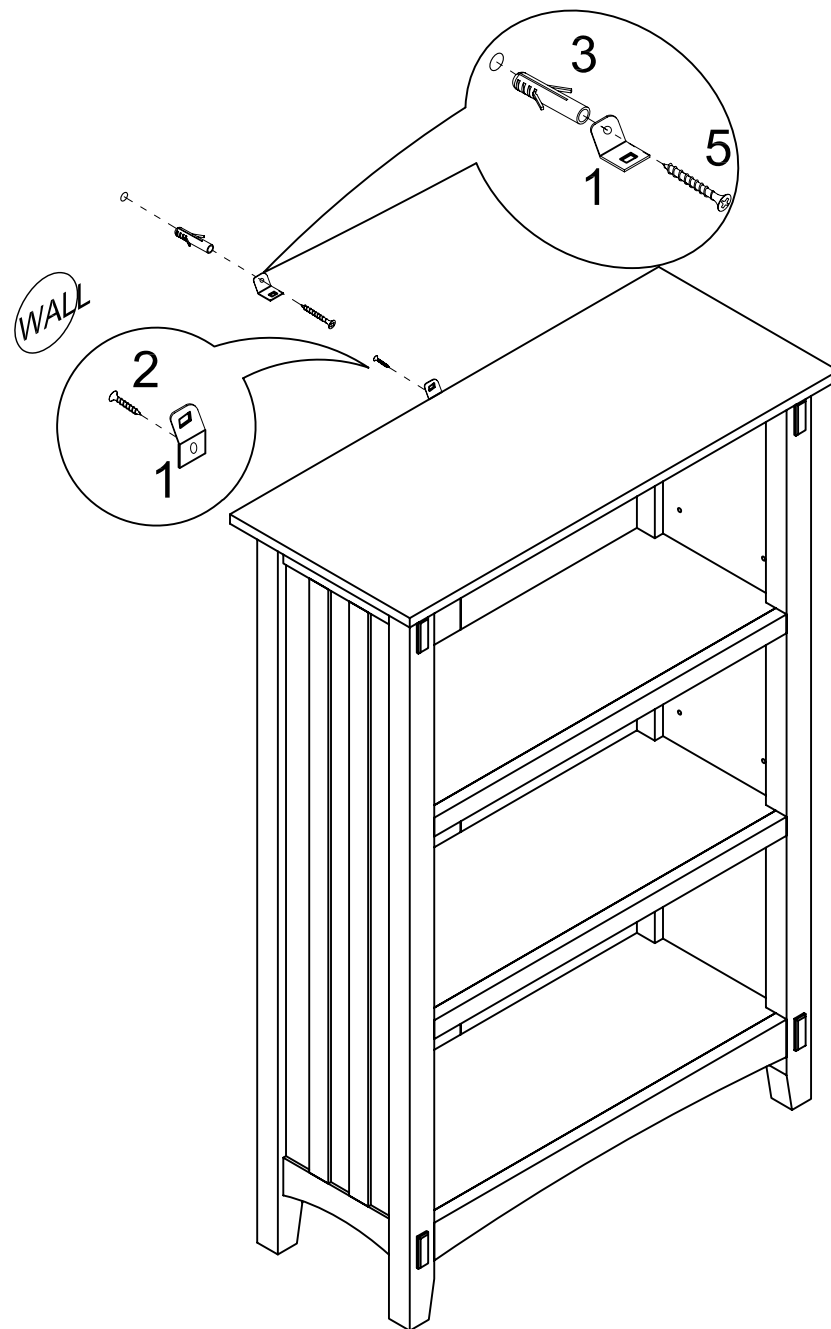
FIG 4



- PLACE THE SHELF PIN (e) INTO DESIRED POSITION AND PLACE THE ADJUSTABLE SHELF (F) ABOVE THE SHELF PIN (e).

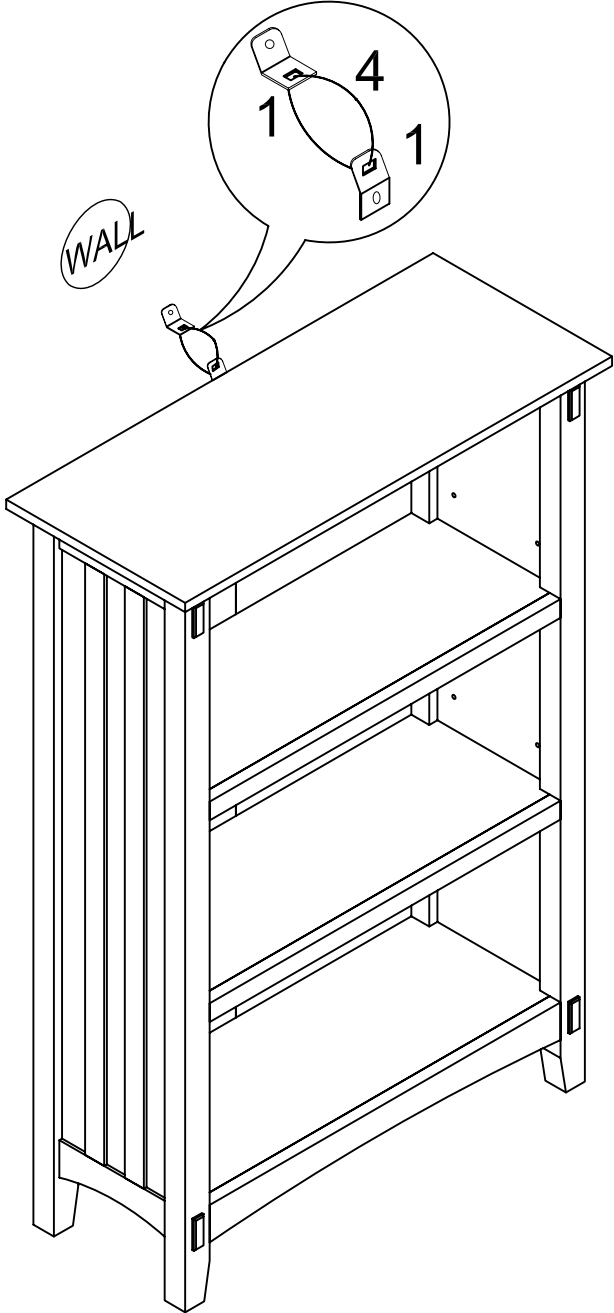


# FIG 5



- TIGHTEN THE RECTANGLE METAL PLATE (1) TO THE REAR OF THE TOP PANEL (D) BY USING 1/2" FLAT HEAD SCREW (2).
- PLACE THE ASSEMBLED BOOKCASE AT THE DESIRED POSITION. MARK THE INSERTION POINTS FOR THE PLASTIC ANCHOR (3).
- USING THE PROPER HARDWARE FOR YOUR WALL TYPE, DRILL 1/4" HOLES INTO THE WALL.
- TIGHTEN THE RECTANGLE METAL PLATE (1) TO THE PLASTIC ANCHOR (3) BY USING THE 1-1/2" FLAT HEAD SCREW (5).

FIG 6



- USING THE PLASTIC BAND (4) CONNECT TWO RECTANGLE METAL PLATES (1).