

# INTEGRA PATIOS

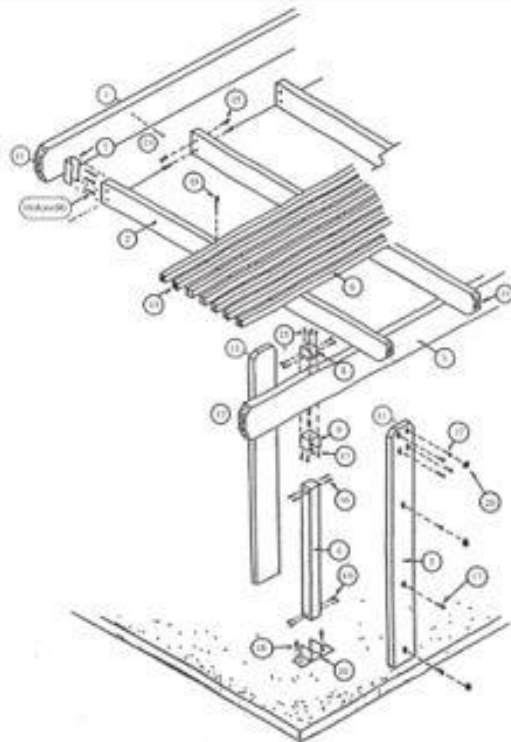
## INSTRUCTIONS / ASSEMBLY

*Plan the location for pergola lattice cover to be clear of all swinging doors and windows and finish with a minimum height of 6'8" to underside of front fascia.*

**METHOD 1:** Select this installation option when installing a ledger board kit at house wall



**METHOD 2:** Select this installation option if attaching directly to existing fascia board.



**NOTE:** Skip next page and begin on Step 1 if METHOD 1 installation is selected