



OPERATING INSTRUCTIONS

Equipment and Shoe Dryer

AC Model SD2001

SAVE THESE INSTRUCTIONS

Read this instruction manual carefully before operation. Keep this manual for future reference in case it is needed.

WARNING—USE THIS DRYER ONLY AS DESCRIBED IN THIS MANUAL. ANY OTHER USES NOT RECOMMENDED BY THE MANUFACTURER MAY CAUSE FIRE, ELECTRIC SHOCK, OR PERSONAL INJURY AND MAY VOID THE WARRANTY.

Thank you for your purchase of the NuVent Equipment and Shoe Dryer.

This dryer has been specially designed and tested to dry items using both heat and optimum airflow. Because this unit uses heat to dry equipment, please be aware that some waterproof membranes, high tech fabrics, or leather shoes and boots may be adversely affected by heat drying.

We recommend using the equipment and shoe dryer on a daily basis. Doing so can extend the life of your gear and prevent the embarrassment of odor and ensure your gear is fully dry and ready for use whenever you need it.

BOX CONTENTS

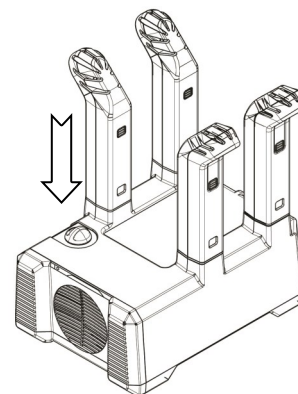
Please review the items that shipped in your box carefully.

- (1) Dryer Base with Power Cord
- (2) Port Caps
- (4) Expandable Dryer Ports

If you are missing any items from the above list, please contact Customer Service at 1-800-433-1626.

The unit can be configured in a variety of ways to properly dry your shoes, boots, and gear. The outlet ports ship pre-configured to the low settings. This setting is ideal for drying:

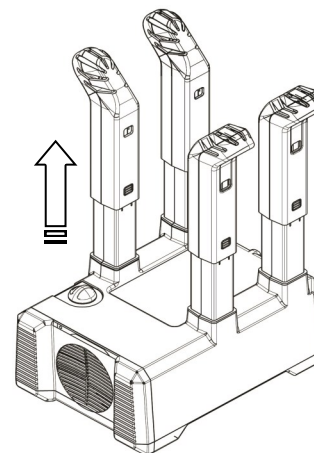
- Running Shoes and Cleats
- Ski Boots and Gloves
- Children's Shoes
- Helmets



Should you want to concentrate the airflow to one pair dryer arms you can cover the adjacent ports using the included port covers.

For taller items you can expand the outlet ports to better accommodate them. These include:

- Fashion Boots
- Ice and Hockey Skates
- Small backpacks



OPERATION

TO TURN ON THE DRYER: Simply plug in the power cord to a nearby wall receptacle. To use the heater portion on the dryer, switch the red heater switch to the on position.

DRYING OPTIONS:

- **To time dry a shoe,** turn the knob clockwise to select a drying time. The unit will shut off automatically when the time is complete.
- **To select a non-timed dry,** turn the knob counter clockwise until it clicks, the unit will run until you turn it off by turning the knob clockwise until the unit switches off.



SAFETY INSTRUCTIONS

Equipment and Shoe Dryer

AC Model SD2001

SAVE THESE INSTRUCTIONS

Read this instruction manual carefully before operation. Keep this manual for future reference in case it is needed.

CAUTION STATEMENTS

WARNING—USE THIS DRYER ONLY AS DESCRIBED IN THIS MANUAL. ANY OTHER USES NOT RECOMMENDED BY THE MANUFACTURER MAY CAUSE FIRE, ELECTRIC SHOCK, OR PERSONAL INJURY AND MAY VOID THE WARRANTY.

WARNING—DO NOT IMMERSE THE DRYER IN WATER. NEVER CLEAN THIS UNIT WHILE IT IS PLUGGED IN. TO DISCONNECT, TURN CONTROLS TO OFF, THEN REMOVE THE PLUG FROM THE OUTLET BY GRASPING IT AND PULLING IT FROM THE OUTLET.

WARNING—DO NOT ALLOW THE INSIDE OF THE DRYER TO BECOME WET DURING OPERATION OR IN STORAGE. ALWAYS STORE IN A DRY AREA FREE FROM POTENTIAL MOISTURE.

WARNING—DO NOT OPERATE IF THE POWER SUPPLY CORD IS DAMAGED.

When using an electrical appliance, basic safety precautions should always be observed, including the following:

- Read all instructions before using this dryer.
- Remove the unit from its packaging and check its condition. Only use if the unit is in good working condition.
- Do not let children play with parts of the packaging, such as plastic bags.
- Check the household voltage to ensure it matches the dryer's rated specification.
- Before unplugging the power cord, be sure to turn off the unit's power. When touching the unit ensure your hands are dry to prevent electric shock.
- Do not block air intake in any manner.
- Always unplug the dryer when not in use.
- Never located the dryer where it may fall into a bath tub or other body of water.
- Do not run the cord under carpeting. Do not cover the cord with throw rugs or runners. Arrange the cord away from traffic areas and where it will not be tripped over.
- Do not use on soft surfaces, such as a bed, where openings may become blocked.
- Do not operate the dryer with a damaged cord, damaged plug, after the dryer malfunctions, or if it has been dropped or damaged in any manner. Return the unit to an authorized service facility for examination, electrical or mechanical adjustment, or repair.
- Do not insert or allow foreign objects to enter any ventilation or exhaust opening as this may cause an electric shock, fire, or damage the unit.
- Do not use outdoors.
- To disconnect the unit, turn controls to off, then remove plug from outlet.
- Never use with an extension cord or relocatable tap, such as a power strip.
- Be sure that no other appliances are in use on the same electrical circuit as your product, or an overload could occur.
- Connect unit to properly grounded outlets only.
- Always plug the unit directly into a wall outlet or receptacle.