

Vertura Bath (LED)

BA867, BA868_LED 1.1



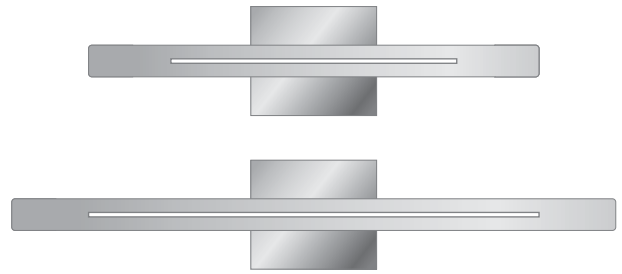
GENERAL PRODUCT INFORMATION: 

These fixtures are intended to be installed utilizing NEC compliant junction boxes.

This product is suitable for damp locations.

This product may be dimmed with a low-voltage electronic dimmer.

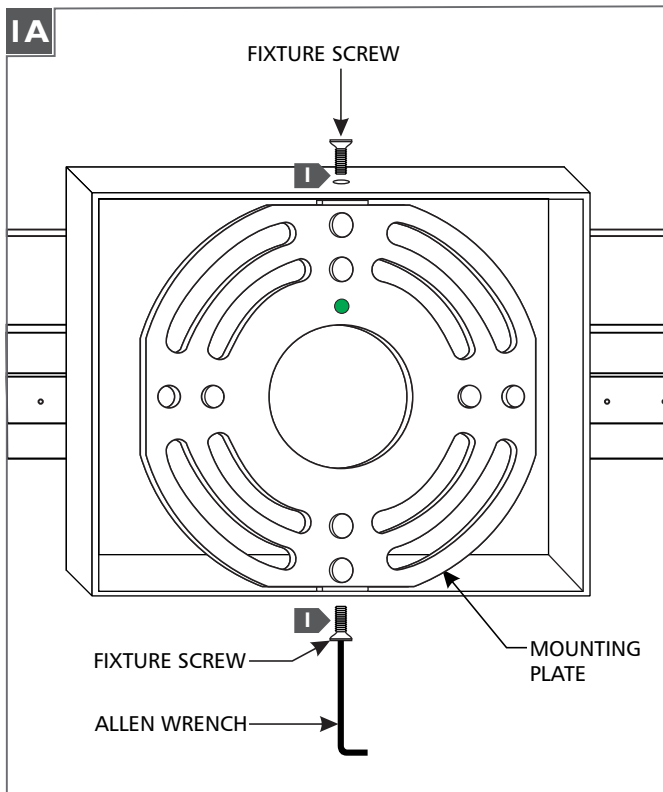
This product may be mounted horizontally or vertically.



CAUTION - RISK OF FIRE
 This product must be installed in accordance with the applicable installation code by a person familiar with the construction and operation of the product and the hazards involved.
 Use minimum 90°C supply conductors.

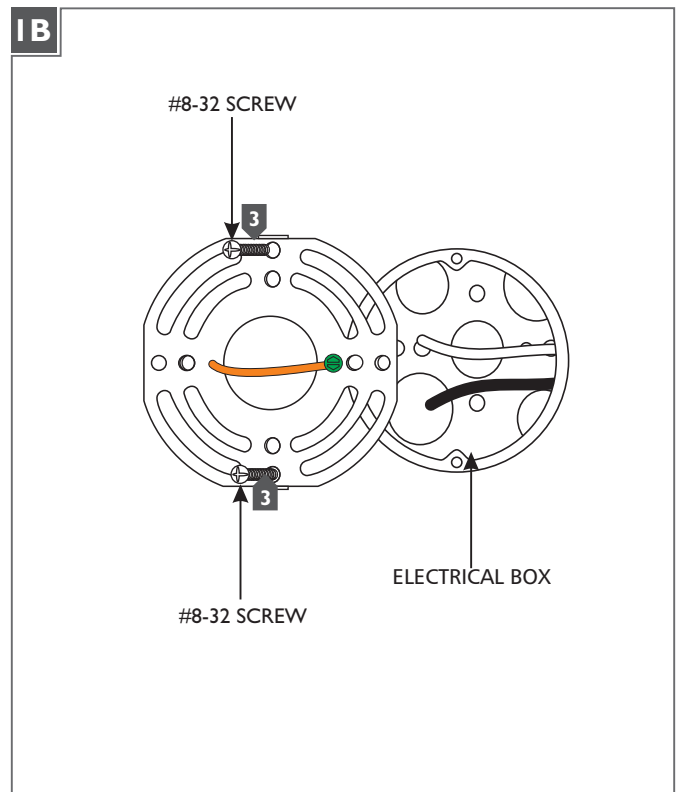
WARNING: DO NOT REMOVE THE WHITE ADHESIVE FILM from the top of this fixture. Only **REMOVE THE CLEAR PROTECTIVE FILM** which is located on the bottom of the fixture.

Install the Mounting Plate



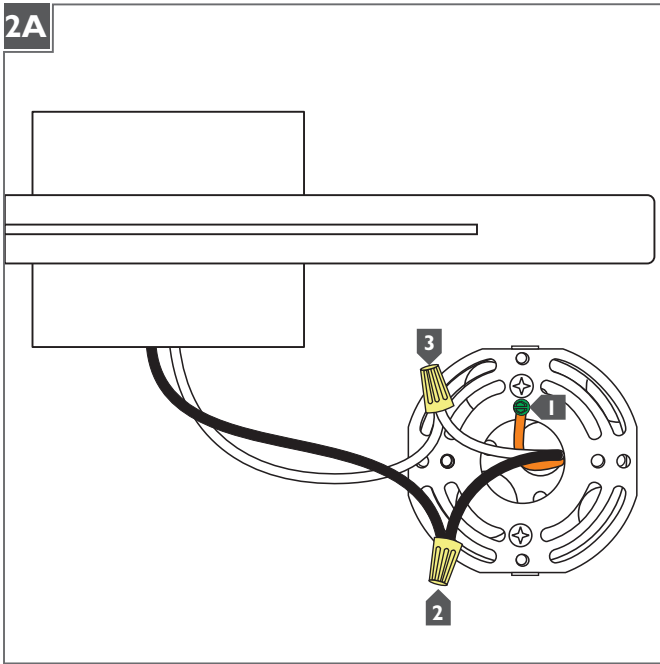
1 Remove the fixture screws located on the top and bottom of the fixture base with the provided Allen wrench.

2 Remove the mounting plate from the fixture base.



3 Install the mounting plate onto the electrical box with the two #8-32 screws provided.

Install the Fixture



- 1 Connect the mounting plate ground wire to a suitable ground according to local electrical codes.
- 2 Connect the black driver wire to the hot power line wire with a wire nut.
- 3 Connect the white driver wire to the neutral power line wire with a wire nut.
- 4 Properly place the driver, all wires, and wire nut connections into the fixture base.
- 5 Mount the fixture by sliding it back onto the mounting plate and reinstalling the fixture screws (reversal of figure 1A).

SAVE THESE INSTRUCTIONS!

LBL

7400 Linder Ave, Skokie, IL 60077

800.323.3226 - 847.626.6300

www.lblighting.com

© 2015 LBL Lighting. All rights reserved. The "LBL Lighting" graphic is a registered trademark of LBL Lighting. LBL Lighting reserves the right to change specifications for product improvements without notification.

A Generation Brands Company