



872.241.0016

Toledo, Ohio

sales@renesinks.com

Renesinks.com

APRON SINKS

Installation/
Mounting Guide

THE INSTALLATION OF APRON SINKS

Apron, or farmhouse, style sinks are available in copper and stainless steel.

Mounting techniques vary widely depending on the sink design and the homeowner's taste.





872.241.0016

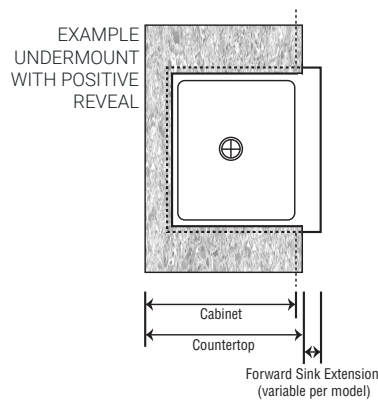
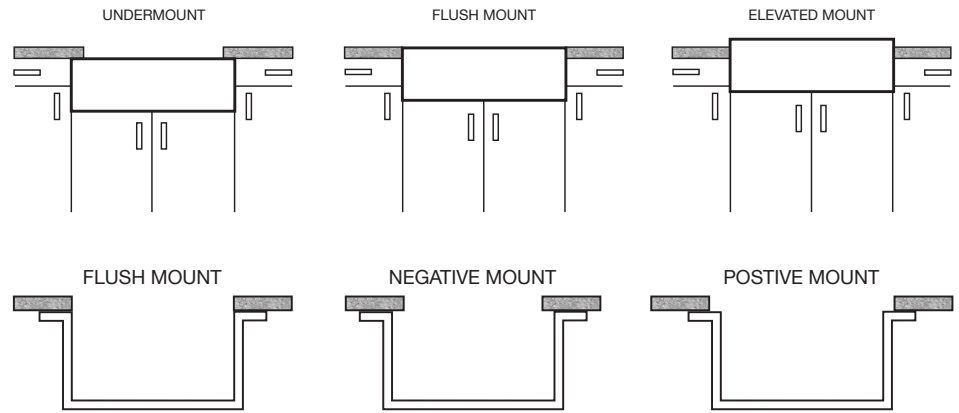
Toledo, Ohio

sales@renesinks.com

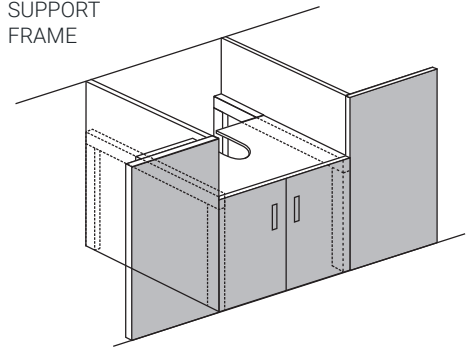
Renesinks.com

APRON SINKS

Installation/ Mounting Guide



EXAMPLE
SUPPORT
FRAME



Options include installation at various heights, various undermount reveals, and various amounts of forward overhang of the apron front. The choices made will determine what type of additional support will be necessary in the base cabinet. Presented here are just some of options and more popular mounting techniques.

THE STEPS

- Evaluate the style of apron sink being installed and determine the type of mounting to be done.
- Keep in mind that unlike other sink styles which are dropped into a hole in the countertop, and supported by the countertop; apron sinks are positioned through an opening in the front of the cabinet and supported, only by the cabinet.
- Measure the sink and cabinet in order to properly prepare the base cabinet.
- Install necessary support braces. Several types of supports can be customized to uphold various types of sinks in various fashions. One typical technique, using 2" x 4" supports, with or without a plywood platform, is shown here.
- Place sink in position on the base cabinet supports.
- Clean the surfaces of the sink and countertop which will meet, with denatured alcohol.
- If undermounting the sink, apply a bead of silicone along the outer edge of the sink rim in order to form a secure bond with the countertop.
- Attach the countertop making sure of tight contact with the sink.
- Re-check that the sink is properly aligned and level.
- Remove any excess sealant along edges.

