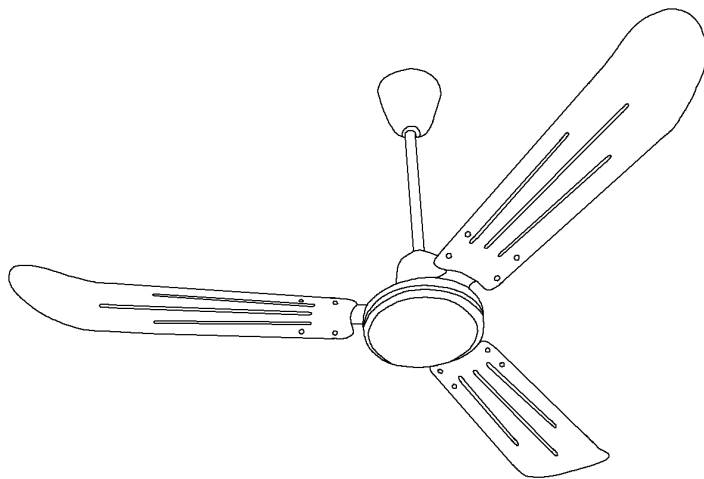




AGRICULTURAL & INDUSTRIAL CEILING FANS

• INSTALLATION INSTRUCTIONS •



MODELS

CP48HPWP, CP56AG, CP56HPWP,
CP56HPWPC, CP60HPWP, CP36, CP48, CP56BR,
CP56F&R, CP56S, CP56C&P

READ AND SAVE THESE INSTRUCTIONS

Note to Installer: You are obligated to pass these instructions on to building maintenance or location Supervisor.



M0090 - 05/19/05

• WARNING •

1. Be sure to shut off electrical supply at circuit breaker before installation. This installation is to be in accordance with local and national electrical codes.
2. To reduce the risk of personal injury, **DO NOT** bend the blade brackets when installing or cleaning the fan. Also, **DO NOT** insert foreign objects in between rotating blades.
3. Any field alteration or changed downrods **"WARRANTY VOIDS"** any hanging mechanism warranty or liability.

• CAUTION •

1. Installation work and electrical wiring must be done in accordance with NEC (NFPA 70) and all applicable local codes and standards including fire rated constructions and **must be done by a qualified electrician.**
2. Remove fan from the carton carefully and check for shipping damage. Check blades for bends and dents. In case assistance is required please contact our service centre.
3. Check that the supply voltage corresponds to the rated voltage on motor of fan you have selected.
4. Do not install the fan close to the door entrance. Ensure at least 3 feet distance from end of the blades.
5. Ensure that you have a water proof model if installing in a wet/damp location.
6. Fan blades must be at a minimum of 10 feet from the floor when the fan is installed.
7. Make sure hanger hook is mounted securely to the structural ceiling.
8. Fan is suitable for operation on Solid State controls.
9. The fan shall not directly be supported by the outlet box.
10. All set screws must be checked and re-tightened where necessary after installation. No lubricants should be used on screws or hooks.
11. To reduce the risk of personal injury install the safety cable (per Fig. 1).
12. **DO NOT** attach blades before hanging the fan.

• HANGING & ASSEMBLY •

1. Using Machine Threaded Hooks for Steel Frame Ceiling (Fig. 1)
 - Put the threaded J-Hook through junction box, winding nut to bottom of thread.
 - Insert the hook with the box through slit in bottom of open web steel joists.
 - Put large washer, lock washer and nut on the hook loosely.
 - Secure spark plate onto junction box. Feed power wires through spark plate for ease of wiring. (Spark plate is not needed for fan with a cord and plug.)
 - Hang the fan on the J-hook.
 - Tighten the top lock washer and nut until secure.
 - Install the Eye Bolt onto the steel frame ceiling beside the junction box.
2. Insert the safety cable into the Eye Bolt through the slit and then close the Eye Bolt loop. **NOTE: Knot in safety cable is there for extra strength. DO NOT UNDO KNOT.**
3. Connect the lead wires to the power supply, (shown in Fig. 3).
FOR CORD & PLUG FANS:
Simply insert the plug into the receptacle at the ceiling.
FOR FORWARD/REVERSE MODELS:
Downdraft Direction:
Connect blue and black wires of fan to "hot" wire, red and white wires to neutral wire and green wire to ground wire.
Updraft Direction:
Connect red and black wires of fan to "hot" wire, blue and white wires to neutral wire and green wire to ground wire.
NOTE: Wiring connections should be turned upward and pushed carefully up into the outlet box.
4. Slide up the upper canopy and affix it with the set screws. Leave a minimum of 1/8" between ceiling and canopy.
5. Mount the fan blades onto the motor head with screws and spring washers (see Fig. 2 for details).
NOTE: If wiring for updraft only: blades can be reversed for increased fan performance.
6. Tighten set screws on upper and lower canopies.

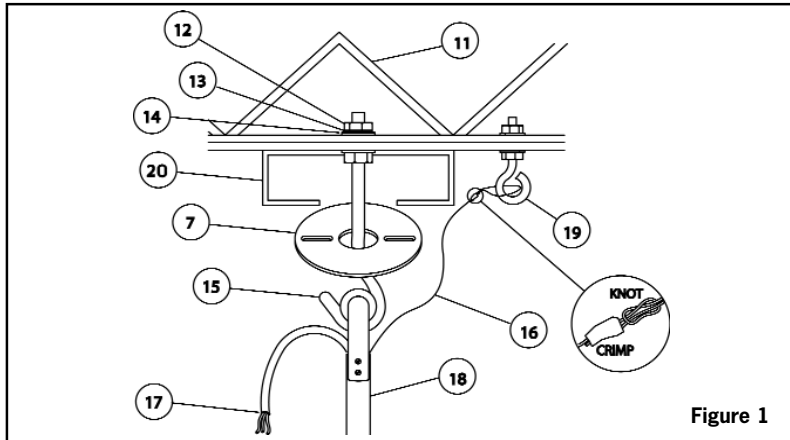


Figure 1

Reference Numbers:

- | | |
|-------------------------------------|---------------------------------|
| 1. Upper Canopy | 11. Steel Frame Ceiling |
| 2. Set Screw | 12. J-Hook Nut |
| 3. Blade Mounting Screw | 13. Spring Washer |
| 4. Blade Bracket | 14. Washer |
| 5. Fan Blade | 15. Threaded J-Hook |
| 6. Vibration Absorber | 16. Safety Cable |
| 7. Spark Plate (NA for Cord & Plug) | 17. Lead Wires (or Cord & Plug) |
| 8. Lower Canopy | 18. Downrod |
| 9. Blade Mounting Spring Washer | 19. Eye Bolt |
| 10. Motor Head | 20. Junction Box (Not provided) |

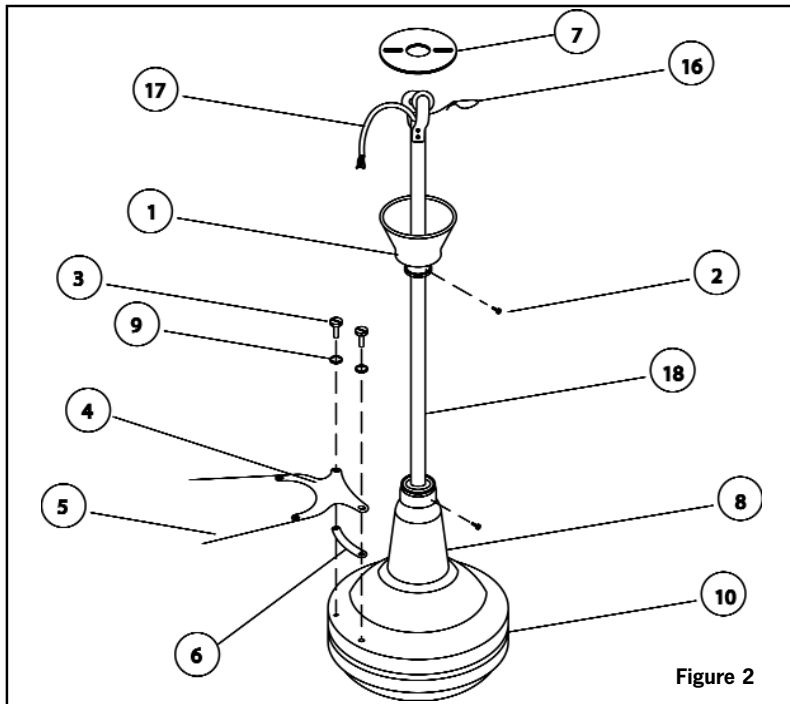
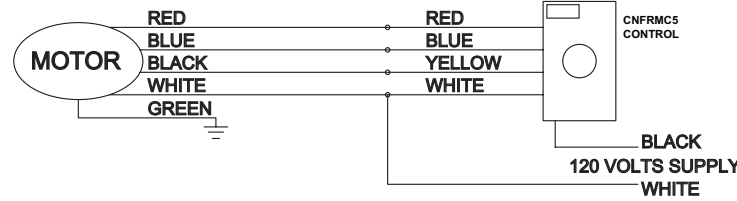


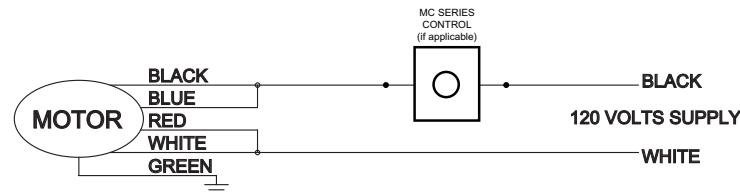
Figure 2

**Both Updraft & Downdraft
Using Canarm CNFRMC5 Control**



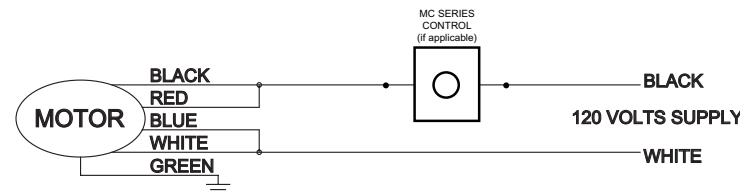
MODELS: CP36, CP48, CP56S, CP56BR, CP56F/R
HIGH PERFORMANCE MODELS: CP48, 56, 60 HPWP & AG

Downdraft



MODELS: CP36, CP48, CP56S, CP56BR, CP56F/R
HIGH PERFORMANCE MODELS: CP48, 56, 60 HPWP & AG

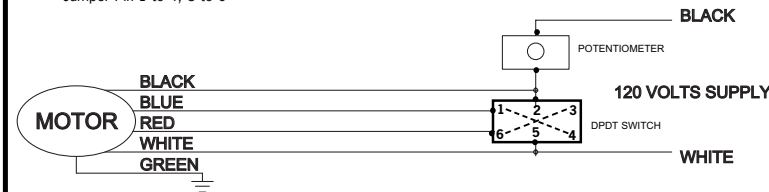
Updraft



MODELS: CP36, CP48, CP56S, CP56BR, CP56F/R
HIGH PERFORMANCE MODELS: CP48, 56, 60 HPWP & AG

**Both Updraft & Downdraft
Using Canarm MC Series Control and DPDT Switch**

Note: On the Double Pole, Double Throw Switch,
Jumper Pin 1 to 4, 3 to 6



MODELS: CP36, CP48, CP56S, CP56BR, CP56F/R
HIGH PERFORMANCE MODELS: CP48, 56, 60 HPWP & AG

Figure 3

• TROUBLESHOOTING •

Trouble:

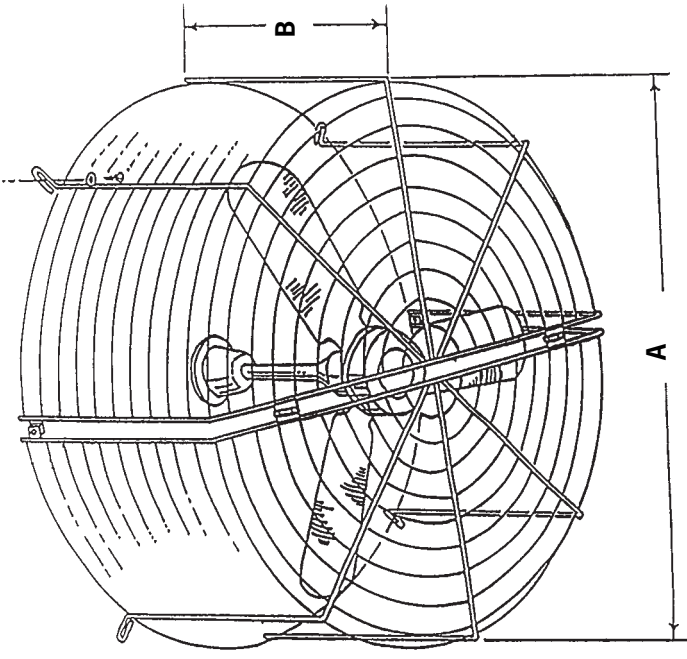
Suggestion:

- | | |
|------------------------|---|
| 1. Fan will not start. | - Check fuses and circuit breakers |
| | - Check wiring connections to fan. |
| | - Check wiring connections in lower canopy. |

Caution: Turn power off for last two items.

- | | |
|----------------------|--|
| 2. Fan sounds noisy. | - Check to make sure all screws in motor are snug. |
| | - Check to make sure that all blade bracket screws are tight. |
| | - Some motors are sensitive to signals from solid state variable controls. If this type of control is used some electrical noise from the motor is normal and will not effect performance. |
| | - For quiet operation use Canarm's models CQ004 "Church Quiet" controls. |
| | - Allow a 24 hour break in period to eliminate most noises. |
| 3. Fan wobbles. | - Check that all blades are screwed firmly to motor. |
| | - Check distance from tip of blades to ceiling, gently bend up or down until all distances are the same. |
| | - Make sure upper canopy is 1/8" from ceiling. |
| | - Make sure that hanging hooks are secured tightly to ceiling. |

- **MAINTENANCE**
- When properly maintained, fans can be expected to give years of trouble free operation.
 - Properly maintained fans must be inspected every **3000 hours** for vibration and wear on the support mechanism and that all screws, nuts, etc. are tight.
 - Refer to (Fig. 4) for maintenance schedule.



Guard Size	Dimension	
	A	B
CP56	61"	26"

Note: In applications where fan may be damaged (i.e. Gymnasium, or in applications where maintenance cannot or will not be done), the above illustrated fan guard should be used.

- **WARRANTY CLAIMS**
- Models: EP56FR, EP056CP**
- These models are manufactured by Canarm Ltd. for ElectriPro™. All warranty claims must be made through the manufacturer as outlined below.
- **5 YEAR WARRANTY**

Models: EPO56FR, EPO56CP, CP56F&R, CP56C&P

These models are guaranteed to be free from defects in workmanship and material for a period of five (5) years from date of purchase. Within the first (1) year from date of purchase any defective product should be returned to your **RETAIL OUTLET** along with proof of purchase. For the balance of the warranty, **the MOTOR WINDINGS ONLY**, shall be free of defects. We will correct such defects or replace the motor at our option if the product is returned **FREIGHT PREPAID** to Canarm.

- **5 YEAR & 3 YEAR WARRANTY**
- All costs of removing and re-installing the product are **YOUR RESPONSIBILITY**. Damage to any part such as by accident, misuse, improper installation or by affixing any accessories **IS NOT** covered by this warranty. As a result of varying climatic conditions in your area this warranty does not cover any changes in finishes, including rusting, pitting, corroding, tarnishing or peeling.

WARRANTY VOID:
In cases of alteration, abuse, installation not in accordance with instructions or REMOVAL of the C.S.A. Sticker.

NOTE: Canarm does not recommend the changing of downrods on industrial ceiling fans. **THIS WARRANTY IS VOID IF THE DOWNROD HAS BEEN CHANGED.**

NOTE: If vibration and/or wear is noticeable the fan should be removed from service and repaired or replaced by a qualified person.

DATE INSTALLED:		
Visible Vibration Check Every 4 Months	Support Mechanism Refer to Installation Instructions (Every 4 Months)	Screws Refer to Installation Instructions (Every 4 Months)

Figure 4

CANARM LTD. 2157 Parkdale Ave., Brockville, Ontario K6V 5V6 PH: (613) 342-5424 FX: 1-800-263-4598	CANARM LTEE. 8500 Rue Grenache Anjou, Quebec H1J 2B1 PH: (514) 353-2255 FX: (514) 353-2522	CANARM LTD. 808 Commerce Park Drive, Ogdensburg, NY 13669 PH: 1-800-267-4427 FX: 1-800-263-4598
---	--	---

ElectriPro™ trademark of Rexel Canada Electrical Inc.