

**68" GITALI
SINGLE SLIPPER
COPPER TUB**

Cat. No.
COTSN68



L: 67-1/2"
W: 31-1/2"
H: 29-5/8"

Rim: 2 1/2" W
Water depth: 13-1/2" to overflow

The following is recommended for COTDS tubs without faucet holes:

- Faucet: **Part #4602, 7393 or 7410**
- Freestanding bath supplies: **Part# 4502**
- Leg tub drain: **Part# 5599LT**



Overflow can be drilled.
With overflow drilled this tub requires drain 5599 E.
Tubs that have been drilled with overflow are "special order" and are not returnable.

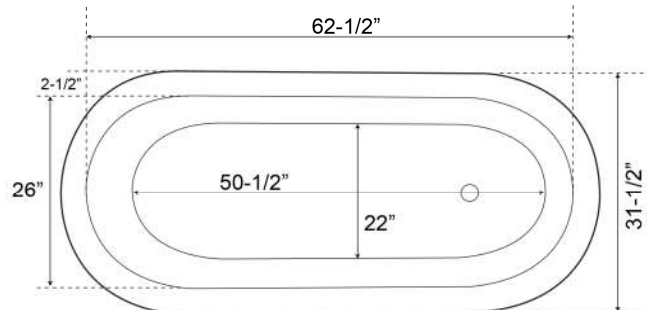
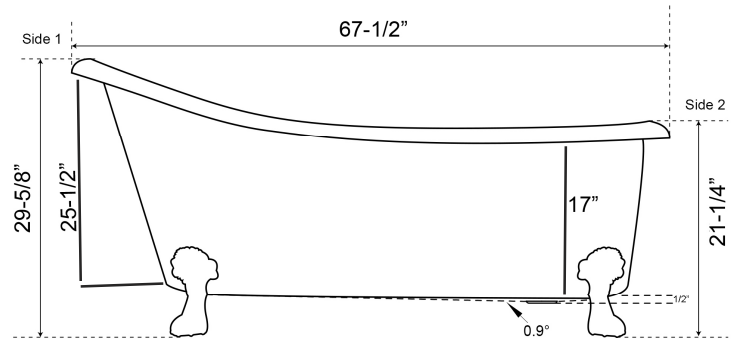
Gallon Capacity without OF: 79
Shipping Weight: 210 lbs.
Empty Weight: 90 lbs.
Filled Weight without OF: 750 lbs.
Filled Weight with OF: 545 lbs.

Features:

- ▶ Single slipper
- ▶ Copper claw feet
- ▶ Constructed of 16 gauge copper
(Copper is a living finish and will patina over time)
- ▶ Hammered antique copper exterior and shiny interior
- ▶ Smooth rim: 2-1/2"
- ▶ No faucet holes
- ▶ No overflow
- ▶ Hand-crafted construction makes each tub unique

Tub Finish:

AC Hammered Antique Copper



Dimensions and specifications subject to change without notice.