

### Features

- For single-hole installation or 4-inch centers with escutcheon (add "optional" escutcheon plate included).
- KOHLER ceramic disc valves exceed industry longevity standards two times for a lifetime of durable performance.
- KOHLER finishes resist corrosion and tarnishing, exceeding industry durability standards two times.
- Completes Devonshire design solution with KOHLER fixtures and accessories.

### Material

- Premium material construction for durability and reliability.

### Water Conservation & Rebates

- Low-flow aerator option available (please see latest price book).



For complete listing of available colors, go to [kohler.com](http://kohler.com).

ADA CSA B651 OBC

### Codes/Standards

ASME A112.18.1/CSA B125.1

NSF 61

NSF 372

ADA

ICC/ANSI A117.1

DOE - Energy Policy Act 1992

CSA B651

OBC

All applicable US Federal and State material regulations

TAS

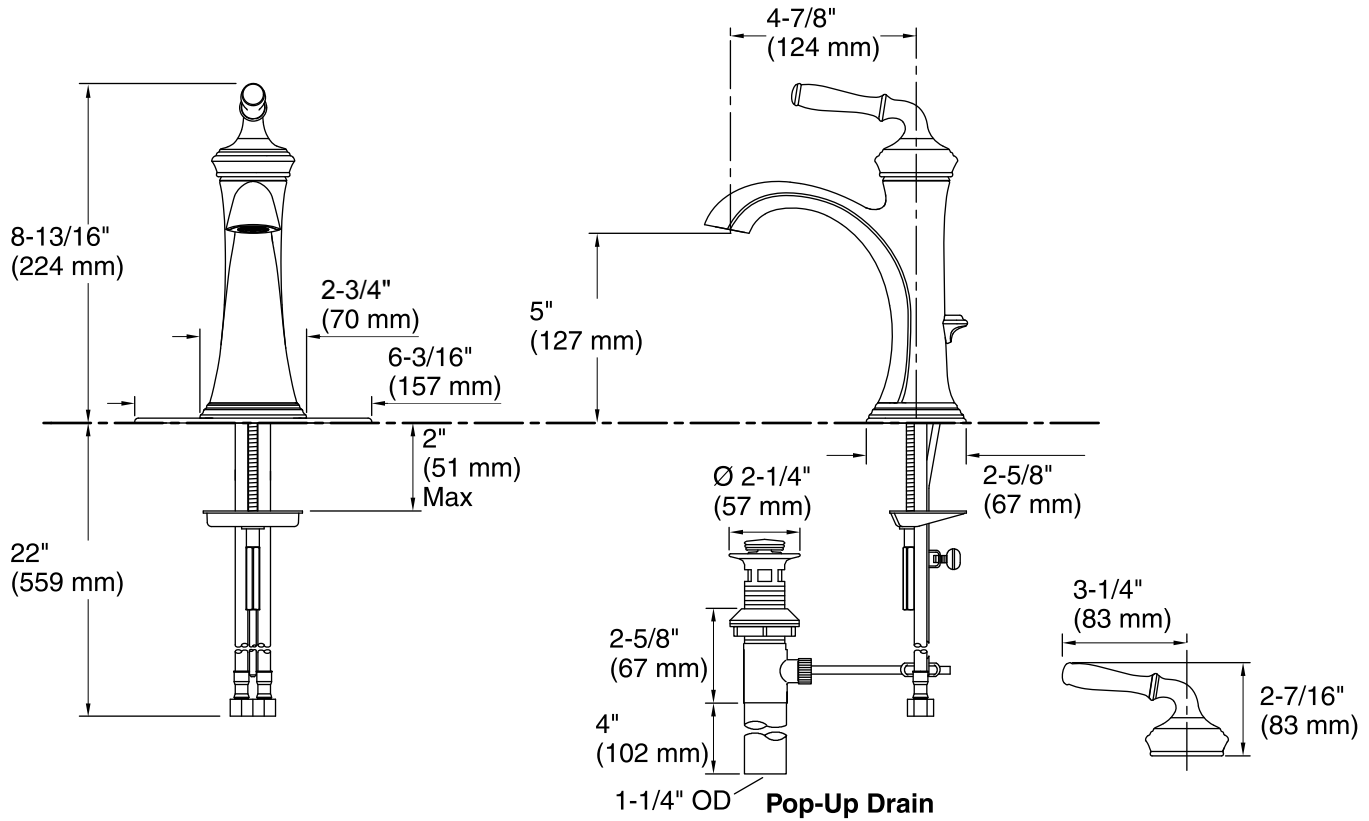
### KOHLER® Faucet Lifetime Limited Warranty

See website for detailed warranty information.

### Product Specification

Bathroom sink faucet shall be 4-7/8" (124 mm) spout reach and 5" (127 mm) spout height.

Bathroom sink faucet shall be pop-up drain with lift rod and tailpiece. Bathroom sink faucet shall be stationary spout. Bathroom sink faucet shall be single-hole installation. Bathroom sink faucet shall be KOHLER Model K-193-4.



### Technical Information

All measurements are nominal.

Spout reach: 4-7/8" (124 mm)

Drain included: YES

Drain tailpiece included: YES

#### Faucet:

Flow rate: 1.5 gal/min (5.7 l/min)

Pressure: 60 psi (4.1 bar)

### Installation Notes

Install this product according to the installation guide.

ADA, OBC, CSA B651, TAS compliant when installed to the specific requirements of these regulations.