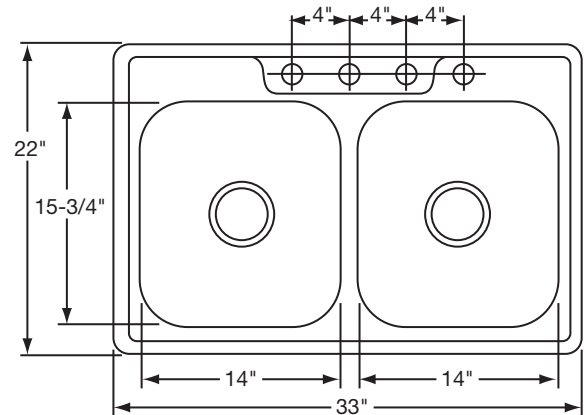


GENERAL FEATURES

- Top mount
- 18 gauge stainless steel
- Brilliant satin finish
- 10" depth
- Overall size: 33" x 22"
- 3-1/2" center drain opening
- Faucet holes (4) 1-1/2" diameter
- Cutout dimension: 32-3/8" x 21-3/8" with 1-1/2" radius corners
- Mounting hardware for countertops up to 3/4" thick included
- Sound insulation – spray undercoating
- Minimum cabinet size: 36"
- Limited lifetime warranty
- Complies with ASME A112.19.3



RECOMMENDED ACCESSORIES

Bottom Grid: NBG1416CR, LKWBG1415SS

Cutting Board: CB1516

Drain: D1125, LK35, LK99

Rinsing Basket: NRB1416CR, LKW RB1316SS (LKWUCSS)

ALL DIMENSIONS IN INCHES, TO CONVERT TO MILLIMETERS MULTIPLY BY 25.4.

In keeping with our policy of continuing product improvement, Elkay reserves the right to change product specifications without notice. Please visit elkayusa.com for most current version of Elkay product specification sheets.

This specification describes an Elkay product with design, quality and functional benefits to the user. When making a comparison of other producers' offerings, be certain these features are not overlooked.