

INSTALLATION INSTRUCTIONS

#30986-2

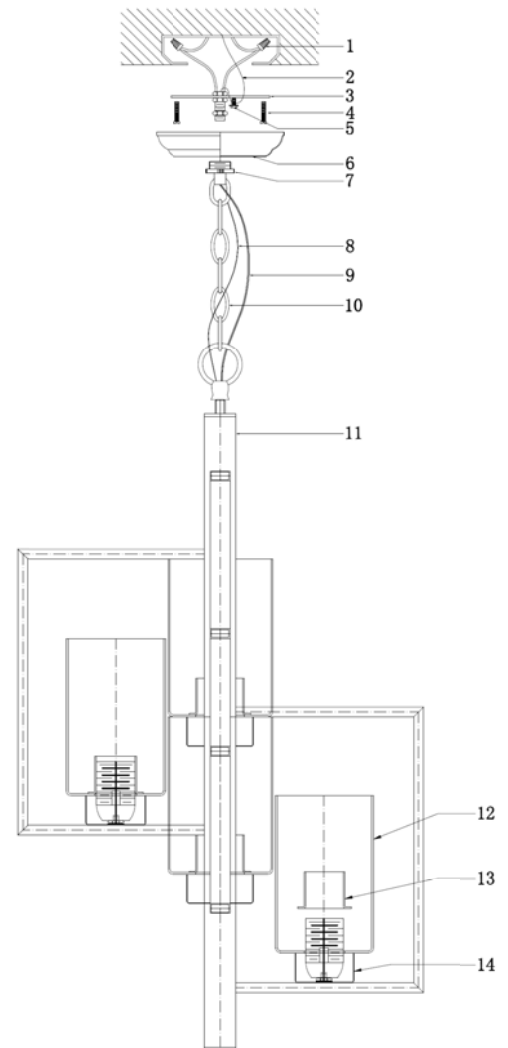
CAUTION/WARNING:

- Read and understand this entire manual before you attempt to assemble, install, or operate this product.
- If any special control devices are used with this fixture, follow the instructions carefully to assure full compliance with N.E.C. requirements. If there are any questions, contact a qualified electrical contractor. If you do not have electrical wiring experience, have your fixture installed by a licensed electrician
- Turn off the electricity at the main circuit breaker panel before you begin this installation.
- Before you perform any cleaning or maintenance work, turn off the electricity at the main circuit breaker panel.
- All glass is fragile. Use care when handling glass shades and bulbs.

CAUTION – RISK OF FIRE, CONSULT A QUALIFIED ELECTRICIAN TO ENSURE CORRECT BRANCH CIRCUIT CONDUCTOR

ASSEMBLY INSTALLATION:

- Carefully unpack the fixture. Lay out all the parts on a clean surface.
- Fasten the fixture Chain with the fixture loop (10) by screwing to Lamp Body Column (11). Adjust the Chain (10) to your desired length by opening the Chain (10) if needed. You may need to use pliers (not included) to open the chain. If so, put a cloth over the chain to protect finish from the pliers.
- Install the Mounting Crossbar (3) to the outlet box (not included) by using the Outlet Box Screws (4).
- Pull the Power Cord (9), Ground Wire (8) through the fixture loop, Chain, collar loop, Collar Loop Ring (7), Canopy (6), then through nipple in Mounting Crossbar (3). Fasten collar loop with chain to nipple on Mounting Crossbar (3).
- Connect the “L” live wires from the fixture to the black live wire from the outlet box by using Wire Nut (1). Connect the “N” neutral wire from the fixture to the white neutral wire from outlet box by using Wire Nut (1). Wrap the fixture ground wire (8) around the green ground screw one full turn and tighten green screw. Connect remaining end fixture ground wire to ground wire from outlet box by using Wire Nut (1). Wrap electrical tape (not included) around the Wire Nuts (1) and ensure they are secure. Then pull all wire connections into the outlet box
- Slide Canopy (6) up into place against the ceiling. Fasten Collar Loop Ring (7) onto collar loop to secure canopy in place.
- Unscrew Socket Ring (13) from Socket (14). Attach Glass Shades (12) onto Socket (14) and secure by using Socket Ring (13).
- Install the bulb (Not included) into the fixture Socket. This fixture uses 60-watt MAX Type A Bulb (not included) or energy saving equivalence LED or CFL bulb (not included). Ensure that you do not exceed the recommended wattage.
- Verify the installation is complete. Turn on the power at the circuit breaker or fuse box. Turn the light switch on to activate the fixture.



WARRANTY--ONE YEAR MANUFACTURER WARRANTY

The manufacturer warrants this lighting fixture to be free from defects in materials and workmanship for a period of one (1) year from the date of purchase. This warranty applies only to the original consumer purchaser and only to products used in normal use and service. If this product is found to be defective, the manufacturer's only obligation, and your exclusive remedy, is the repair or replacement of the product at the manufacturer's discretion provided that the product has not been damaged through misuse, abuse, accident, modifications, alterations, neglect, or mishandling.

This warranty shall not apply to any product that is found to have been improperly installed, set-up, or used in any way not in accordance with the instructions supplied with the product. This warranty shall not apply to a failure of the product as a result of an accident, misuse, abuse, negligence, alteration or faulty installation, or any other failure not relating to faulty material or workmanship. This warranty shall not apply to the finish on any portion of the product, such as surface and/or weathering, as this is normal wear and tear. The manufacturer does not warrant and specially disclaims any warranty, whether express or implied, of fitness for a particular purpose, other than the warranty contained herein. The manufacturer specially disclaims any liability and shall not be liable for any consequential or incidental loss or damage, including but not limited to any labor/expense costs involved in the replacement or repair of said product.

MADE IN CHINA