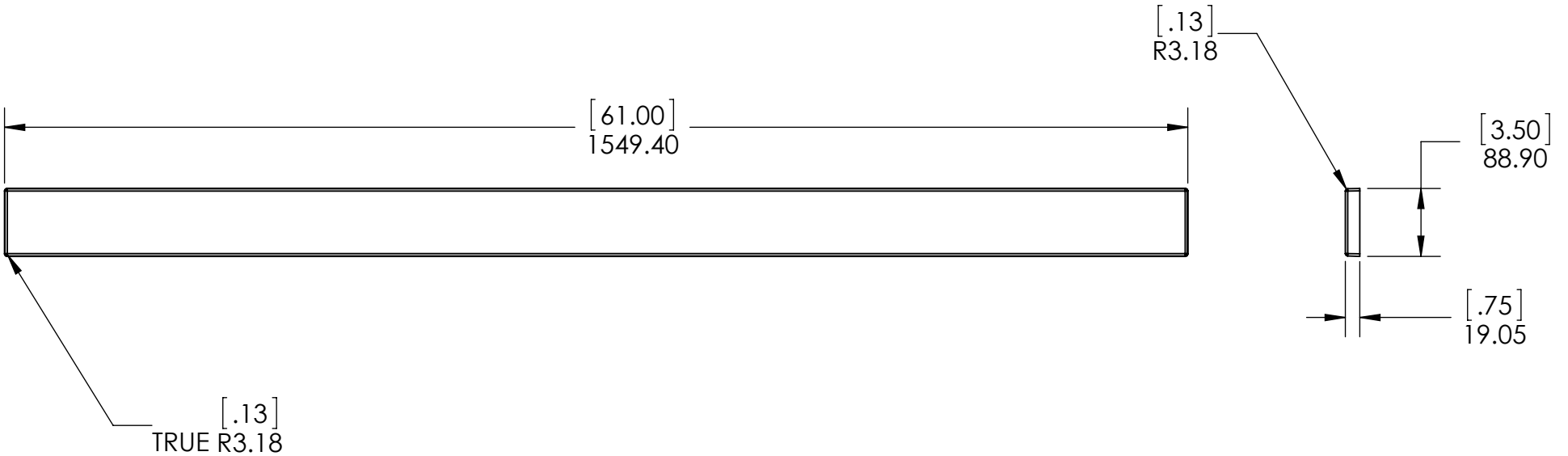


Rev #	Approved by	Change
0	R. Rubio	Released



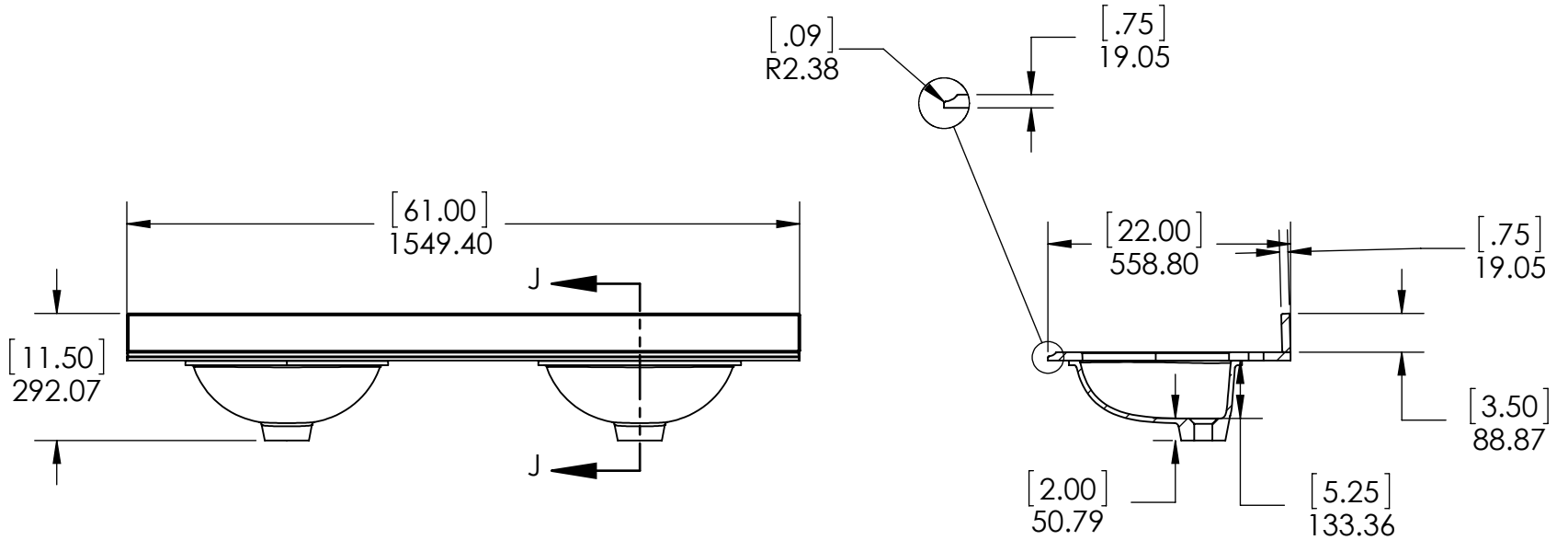
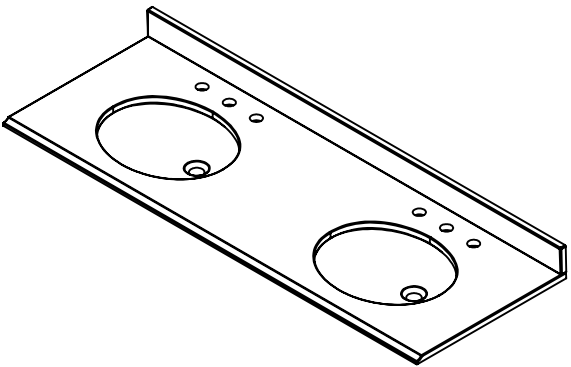
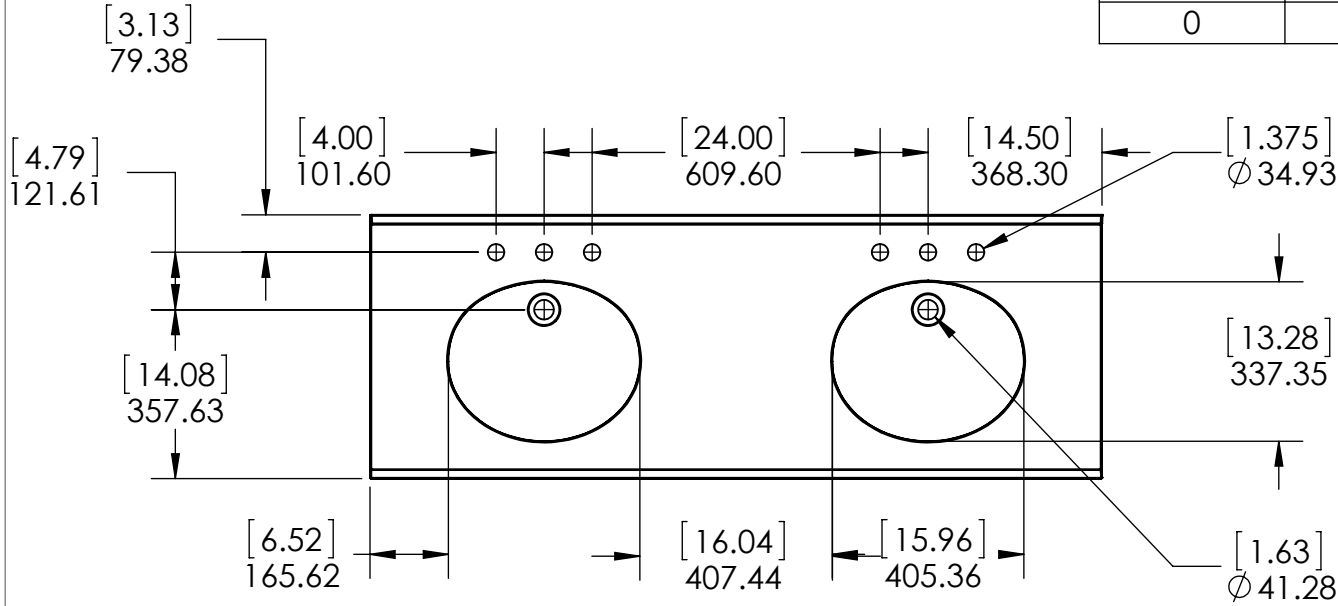
PROPRIETARY AND CONFIDENTIAL
 THE INFORMATION CONTAINED IN THIS DRAWING IS THE SOLE PROPERTY OF WOODCRAFTERS. ANY REPRODUCTION IN PART OR AS A WHOLE WITHOUT THE WRITTEN PERMISSION OF WOODCRAFTERS IS PROHIBITED.

UNLESS OTHERWISE SPECIFIED
 DIMENSIONS ARE IN MM. AND (INCHES)
 TOLERANCES ARE
 + 0.125 [3.175] - 0.125 [-3.175]
 SCALE: 1: 8

	NAME	DATE
DRAWN	J.Martinez	08/12/16
CHECKED	E. Sandoval	08/12/16
ENG APPR.	R. Rubio	08/12/16
MFG APPR.	C. Leal	08/12/16



Rev #	Approved by	Change
0	R. Rubio	Released



PROPRIETARY AND CONFIDENTIAL
 THE INFORMATION CONTAINED IN THIS DRAWING IS THE SOLE PROPERTY OF WOODCRAFTERS. ANY REPRODUCTION IN PART OR AS A WHOLE WITHOUT THE WRITTEN PERMISSION OF WOODCRAFTERS IS PROHIBITED.

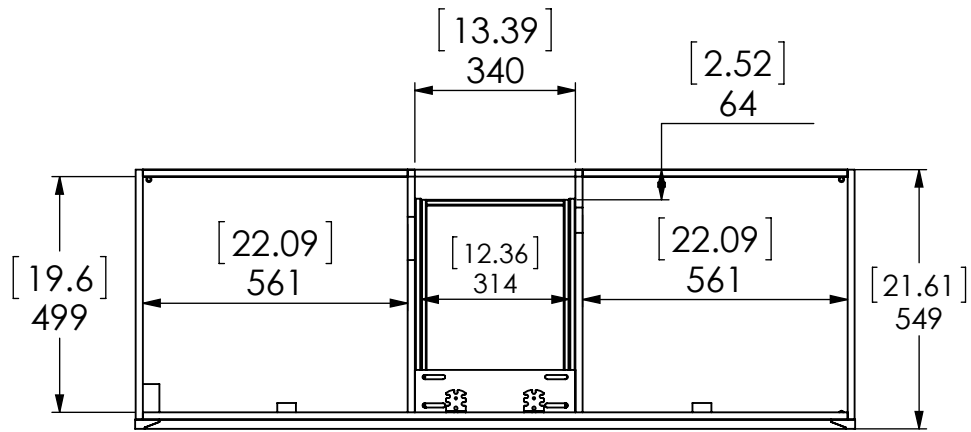
UNLESS OTHERWISE SPECIFIED
 DIMENSIONS ARE IN MM. AND [INCHES]
 TOLERANCES ARE
 +0.125 [3.175] -0.125 [-3.175]
 SCALE:1:16

	NAME	DATE
DRAWN	J. Martinez	08/12/16
CHECKED	E. Sandoval	08/12/16
ENG APPR.	R. Rubio	08/12/16
MFG APPR.	C. Leal	08/12/16

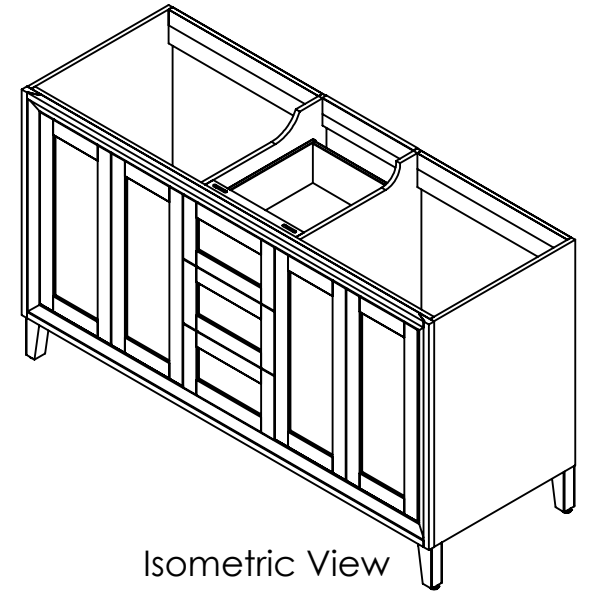
Wood Crafters

SIZE DWG. NO. **A** Shark Tank 61x22 Oval

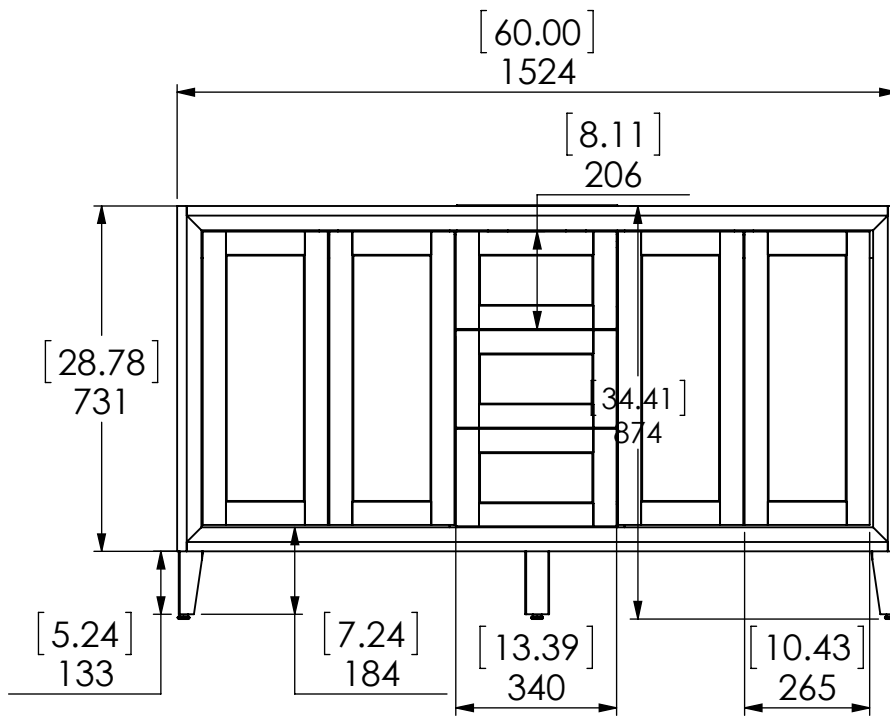
SHEET 1 OF 2
 REV: **0**



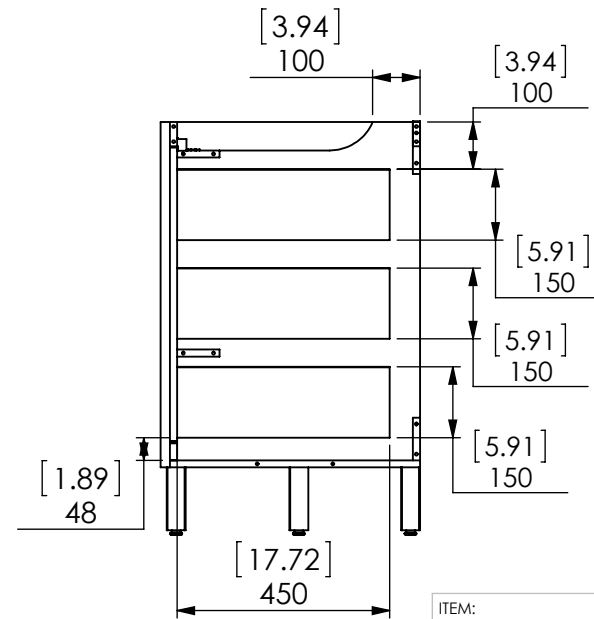
Top View



Isometric View



Front View



Side View



ITEM: **AU60-BL/GP** REV **A**

NAME: **Austell Vanity 60in**

DWR	ARB	04/12/18	MATERIAL:	Plywood 15mm
REV	R&D	04/12/18		
APP	ING	04/12/18		
ESCALA: 1:20		MODEL:	Austell Vanity 60 in	