

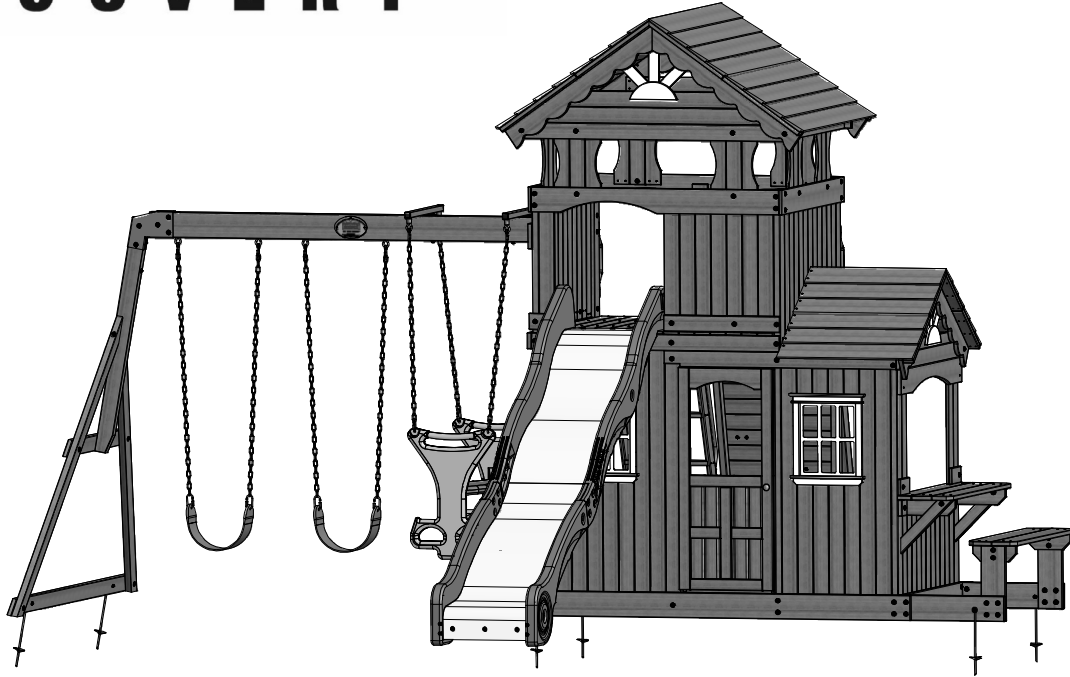


SHENANDOAH

Wooden Swing Set

Model: #65413

D I S C O V E R Y



- *Owner's Manual*
- *Frequently Asked Questions*
- *Assembly Instructions*
- *Warranty Information*

*Manufacturer: Backyard Discovery
3001 North Rouse
Pittsburg, KS 66762
1-800-856-4445*

*Register your new swing set on-line @ www.swingsetsonline.com
(you will also find any updates on assembly instructions and
information to order replacement parts)*

*Features the **SAFE-I-FUSE** fastening system.*



*Save this assembly manual for future reference in the event that
you need to order replacement parts.*

STOP PARE

Missing A Part?

**CALL US BEFORE GOING
BACK TO THE STORE!**

The store where you made your purchase
does not stock parts for this item.

If you have assembly questions or if you need parts,
whether they are missing or damaged

Call Toll-Free Help Line or visit www.swingsetsonline.com

¡LLÁMENOS ANTES DE REGRESAR A LA TIENDA!

La tienda donde realizó la compra no almacena piezas de este producto.

Si tiene preguntas sobre el ensamblaje o si necesita piezas debido a que
faltan o están dañadas

llame gratis a la línea de ayuda

1-800-856-4445

PLEASE READ THIS BEFORE STARTING ASSEMBLY POR FAVOR LEA ESTAS INSTRUCCIONES ANTES DE COMENZAR EL ENSAMBLAJE

- READ THE ASSEMBLY MANUAL COMPLETELY, PAYING SPECIAL ATTENTION TO THE IMPORTANT TIPS AND SAFETY INFORMATION.
- AFTER YOU HAVE READ THE ASSEMBLY MANUAL, YOU WILL BE ABLE TO DECIDE IF YOU NEED PROFESSIONAL HELP TO COMPLETE THE ASSEMBLY OF THE STRUCTURE.
- SEPARATE AND IDENTIFY ALL PARTS TO MAKE SURE THAT YOU HAVE ALL OF THE PARTS LISTED.
- IF YOU CAN'T FIND ALL OF THE PARTS, CHECK THE PACKING MATERIAL. SMALL PARTS MAY HAVE FALLEN INTO IT DURING SHIPMENT.
- IF YOU HAVE PROBLEMS WITH THE ASSEMBLY OR IF ANY PART IS MISSING OR DAMAGED, PLEASE CALL THE HELP LINE **1-800-856-4445 OR VISIT www.swingsetsonline.com**
- LEA EL MANUAL DE ENSAMBLAJE COMPLETAMENTE, PRESTANDO ESPECIAL ATENCIÓN A LOS CONSEJOS ÚTILES IMPORTANTES Y A LA INFORMACIÓN SOBRE SEGURIDAD.
- DESPUÉS DE QUE HAYA LEÍDO EL MANUAL DE ENSAMBLAJE, PODRÁ DECIDIR SI NECESITA AYUDA PROFESIONAL PARA EFECTUAR EL ENSAMBLAJE DE LA ESTRUCTURA.
- SEPARE E IDENTIFIQUE TODAS LAS PIEZAS PARA COMPROBAR QUE DISPONE DE TODAS LAS PARTES INDICADAS.
- SI NO PUEDE ENCONTRAR TODAS LAS PIEZAS, REVISE EL MATERIAL DE EMPAQUE. ES POSIBLE QUE ALGUNAS PIEZAS PEQUEÑAS PUEDAN HABERSE CAÍDO ALLÍ DURANTE EL ENVÍO.
- MANTÉNGASE ALEJADO DE LOS NIÑOS MENORES A LA EDAD RECOMENDADA.
- SI TIENE PROBLEMAS CON EL ENSAMBLAJE O SI ALGUNA PIEZA FALTA O ESTÁ DAÑADA, LLAME A LA LÍNEA DE AYUDA AL **1-800-856-4445 O VISITE www.swingsetsonline.com**

PLEASE HAVE THE FOLLOWING INFORMATION WHEN YOU MAKE YOUR CALL:

- 1 – MODEL NUMBER OF THE PRODUCT LOCATED ON THE FRONT OF THE ASSEMBLY MANUAL
- 2 – DESCRIPTION OF THE PART FROM THE PARTS LIST

POR FAVOR TENGA VISIBLE LA SIGUIENTE INFORMACIÓN CUANDO LLAME:

- 1 - NÚMERO DE MODELO DEL PRODUCTO QUE SE ENCUENTRA UBICADO AL FRENTE DEL MANUAL DE ENSAMBLAJE
- 2 - DESCRIPCIÓN DE LA PIEZA QUE SE ENCUENTRA EN LA LISTA DE PIEZAS

Owner's Manual Play Set

Dear Customer:

Please read entire booklet completely before beginning the assembly process.

Equipment is recommended for use by **children 3 to 10 years of age**. Structures are **not intended for public use**. **The Company does not warranty any of its residential structures subjected to commercial use such as: Daycare, Preschool, Nursery School, Recreational Park, or any similar Commercial Application.**



WARNING: This Symbol points out important safety instructions which, if not followed, could endanger the personal safety of yourself and your children and/or damage your property. You **MUST** read and follow all instructions in this manual before attempting to use this playcenter.



WARNING: Children must **NOT** use this playcenter until unit has been completely assembled and inspected by an adult to insure set has been properly installed and anchored.

Please follow all recommendations below. **Failure to do so may result in the warranty being void and/or safety violations that could result in serious injury.** This manual contains helpful information concerning Assembly Preparation, Installation Procedure, and Required Maintenance. Always keep the safety of your children in mind as your play structure is being built and as your children play on the set. Before your children play on the set please review the Operation Instructions with them to help ensure their safety.

PLEASE RETAIN THESE INSTRUCTIONS FOR FUTURE REFERENCE. KEEP THEM IN A SAFE PLACE WHERE YOU CAN REFER TO THEM AS NEEDED. IN ORDER TO PROVIDE YOU WITH THE MOST EFFICIENT SERVICE, IT IS REQUIRED THAT YOU PROVIDE US WITH THE PART NUMBERS WHEN ORDERING PARTS.

For Your Records:

Please take time and fill out the information below. This information will be needed for warranty issues.

Where Purchased: _____

Date of Purchase: _____

Installation Date: _____

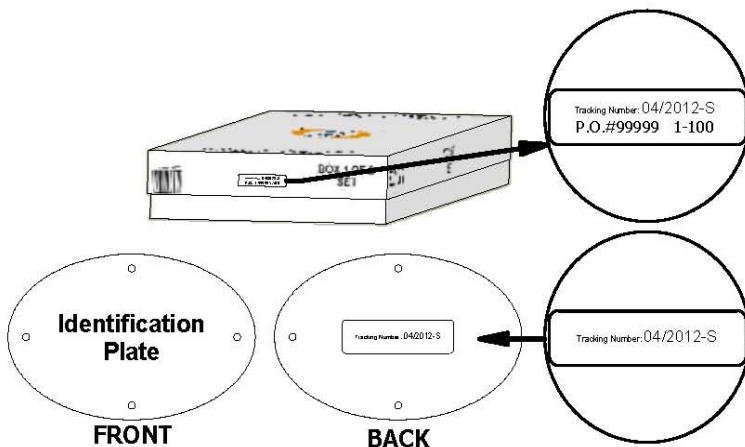
Installed by: _____

Tracking Number: _____

Staple Receipt Here

Sales Receipt		
Store Name		
Main Street		
Hornsea, USA		
810012	BYD Playset	\$555
220011	BYD Playset Use	\$5
220044	BYD Games	\$25
810013	BYD Out door Product	\$55
Total		\$555

Thank You For Shopping WITH US



Tracking Number Reference Label

Tracking ID number on the carton and back of the ID plate are included for tracking purposes associated with warranty claims.

Owner's Manual Play Set

Please refer to the Assembly section of the Assembly Manual for Maximum Fall Height.

Positioning Your Playcenter

1. The Playcenter is designed to be installed on a level surface **by an Adult with an Adult helper**. Place in a flat area of your yard to minimize ground preparation.
2. Choose a level location for the equipment. This can reduce the likelihood of the play set tipping over and loose-fill surfacing material washing away during heavy rains.
3. Place the equipment not less than **6 ft (1.8 m)** from any structure or obstruction such as a fence, garage, house, overhanging branches, laundry lines, or electrical wires.
4. Provide enough room so that the children can use the equipment safely. For example, for structures with multiple play activities, a slide should not exit in front of a swing.
5. It is a good idea to place your Playcenter in an area that is convenient for adults to watch children at play.
6. Create a site free of obstacles that could cause injuries – such as low overhanging tree branches, overhead wires, tree stumps and/or roots, large rocks, bricks and concrete. Additional suggestions in the Suggested Playground Surfacing Section.
7. Do not build your playset on top of surfacing material.
8. Locate bare metal platforms and slides out of direct sunlight to reduce the likelihood of serious burns. A slide that faces north will receive the least direct sunlight.
9. Separate active and quiet activities from each other. For example, locate sandboxes away from swings or use a guardrail or barrier to separate the sandbox from the movement of the swings.

Suggested Playground Surfacing

- ❑ Do not install home playground equipment over concrete, asphalt, packed earth, grass, carpet, or any other hard surface. A fall onto a hard surface can result in serious injury to the equipment user.
- ❑ Do not install loose fill surfacing over hard surfaces such as concrete or asphalt.
- ❑ Shredded bark mulch, wood chips, fine sand and fine gravel, are added as shock absorbing materials after assembly. If used properly these materials can absorb some of the impact of a child's fall.
- ❑ All surface material should extend a minimum of 6 feet in all directions around the play area.
- ❑ Do not apply playground surfacing until after the unit is completely constructed. Playset should not be built on top of surfacing.
- ❑ Use containment, such as digging out around the perimeter and/or lining the perimeter with landscape edging.
- ❑ Installations of rubber tiles or poured-in-place surfaces (other than loose-fill materials) generally require a professional and are not “do-it-yourself” projects.
- ❑ Shall use Playground Surfacing Materials (other than loose-fill material) which comply with the safety standard **ASTM F1292** Standard Specification of Impact Attenuation of Surfacing Materials within the Use Zone of Playground Equipment.

Owner's Manual Play Set

The following chart explains the fall height in feet from which a life threatening head injury would not be expected

Critical Heights in feet (m) of Tested Materials

Material	Uncompressed Depth			Compressed Depth
	6" (152mm)	9" (228mm)	12" (304mm)	to 9" (228mm)
Wood Chips	7' (2.13m)	10' (3.05m)	11' (3.35m)	10' (3.05m)
Double-Shredded bark mulch	6' (1.83m)	10' (3.05m)	11' (3.35m)	7' (2.13m)
Engineered Wood Fibers	6' (1.83m)	7' (2.13m)	>12' (3.66m)	6' (1.83m)
Fine Sand	5' (1.52m)	5' (1.52m)	9' (2.74m)	5' (1.52m)
Coarse Sand	5' (1.52m)	5' (1.52m)	6' (1.83m)	4' (1.22m)
Fine Gravel	5' (1.52m)	7' (2.13m)	10' (3.05m)	6' (1.83m)
Medium Gravel	5' (1.52m)	5' (1.52m)	6' (1.83m)	5' (1.52m)
Shredded Tires*	10-12' (3.0-3.6m)	N/A	N/A	N/A

*This data is from tests conducted by independent testing laboratories on a 6-inch depth of uncompressed shredded tire samples produced by four manufacturers. The tests reported critical heights, which varied from 10 feet to greater than 12 feet. It is recommended that persons seeking to install shredded tires as a protective surface request test data from the supplier showing the critical height of the material when it was tested in accordance with ASTM F1292.

Operating Instructions:



NOTE: Your children's safety is our #1 concern. Observing the following statements and warnings reduces the likelihood of serious or fatal injury. Please review these safety rules regularly with your children.

1. This Playcenter is designed for specific number of occupants whose combined weight **should not exceed** a designated weight on the elevated floor or the swing area, the total Unit capacity is outlined in the Basic Setup Dimensions section of instruction manual. The maximum fall height and recommended play area is also available in the Basic Setup Dimensions section of the manual for the specific unit.
2. On-site adult supervision is **required**.
3. Instruct children **not** to walk close to, in front of, behind, or between moving swings or other moving playground equipment.
4. Instruct children to sit in and **never** stand on swings
5. Instruct children **not** to twist the chains and ropes and not to loop them over the top support bar, since this may reduce the strength of the chain or rope.
6. Instruct children **not** to jump from swings or other playground equipment in motion.
7. Instruct children to **not to push** empty seats. The seat may hit them and cause serious injury.
8. Instruct and teach children to sit in the center of the swings with their full weight on the seats.
9. Instruct children **not** to use the equipment in a manner other than intended.
10. Instruct children to **always** go down slides feet first. Never slide head first.
11. Instruct children to **look** before they slide to make sure no one is at the bottom.
12. Instruct children to **never** run up a slide, as this increases their chances of falling.
13. The parents should **dress children appropriately**. (Examples would include the use of well-fitting shoes and the avoidance of ponchos, scarfs, and other loose-fitting clothing that is potentially hazardous while using equipment).
14. Instruct children **not** to climb when the equipment is wet.
15. Instruct children to **never** jump from a fort deck. They should always use the ladder, ramp or slide.
16. Instruct children to **never** crawl or walk across the top of monkey bars.
17. Instruct children to **never** crawl on top of a fort roof.

Owner's Manual Play Set

18. Verify that any suspended climbing ropes, chain, or cable are secured at both ends and that they cannot be looped back on it.
19. Instruct children **not** to attach items to the playground equipment that are not specifically designed for use with the equipment, such as, but not limited to, jump ropes, clothesline, pet leashes, cables and chain as they may cause a strangulation hazard.
20. Instruct children to **never** wrap their legs around swing chain.
21. Instruct children to **never** slide down the swing chain.
22. Instruct children to remove their bike or other sports helmet before playing on playground equipment.

Maintenance Instructions:

At the beginning of each play season:

- Tighten all hardware.
- Lubricate all metallic moving parts per manufacturer's instructions.
- Check all protective coverings on bolts, pipes, edges, and corners. Replace if they are loose, cracked, or missing.
- Check all moving parts including swing seats, ropes, cables, and chains for wear, rust, or other deterioration. Replace as needed.
- Check metal parts for rust. If found, sand and repaint using a non Lead-based paint meeting the requirements of **16 CFR 1303**.
- Check all wood members for deterioration and splinters. Sand down splinters and replace deteriorating wood members.
- Reinstall any plastic parts, such as swing seats or any other items that were removed for the cold season.
- Rake and check depth of loose fill protective surfacing materials to prevent compaction and to maintain appropriate depth. Replace as necessary.

Twice a month during play season:

- Tighten all hardware.
- Check all protective coverings on bolts, pipes, edges, and corners. Replace if they are loose, cracked, or missing.
- Rake and check depth of loose fill protective surfacing materials to prevent compaction and to maintain appropriate depth. Replace as necessary.
- Once a month during play season.
- Lubricate all metallic moving parts per manufacturer's instructions.
- Check all moving parts including swing seats, ropes, cables, and chains for wear, rust, or other deterioration. Replace as needed.

At the end of each play season or when the temperature drops below 32° F:

- Remove plastic swing seats and other items as specified by the manufacturer and take indoors or do not use.
- Rake and check depth of loose fill protective surfacing materials to prevent compaction and to maintain appropriate depth. Replace as necessary.

Owner's Manual Play Set

Additional Maintenance:

- *Check the swing beam and hardware every two weeks due to wood expansion and contraction. It is particularly important that this procedure be followed at the beginning of each season.*
- *Inspect wood parts monthly. The grain of the wood sometimes will lift in the dry season causing splinters to appear. Light sand may be necessary to maintain a safe playing environment. Treat your playset with stain regularly, to help prevent severe checking/splitting and other weather damage.*
- *A waterbourne transparent stain has been applied to your playset. This is done for color only. Once or twice a year, depending on your climate conditions, you must apply some type of protection (sealant) to the wood of your unit. Prior to the application of sealant, lightly sand any "rough" spots on your playset. **Please note this is a requirement of your warranty.***
- *Assembling and maintaining the playset on a level location is very important. As your children play, your playset will slowly dig its way into the soil, and it is very important that it settles evenly. Make sure the playset is level and true one each year or at the beginning of each play season.*

Disposal Instructions:

When the Playcenter use is no longer desired, it should be disassembled and disposed of in such a way that no unreasonable hazards will exist at the time the unit is discarded.

Third Party Assembly:

Customer may, in their sole discretion, elect to use a third party person or service to assemble this product. Backyard Discovery assumes no responsibility or liability for any charge incurred by the Customer for any assembly services'.

Please see our warranty for more information about damaged and missing part replacement coverage. Backyard Discovery will not reimburse Customer for the price of parts purchased.

APPENDIX A

Information on Playground Surfacing Materials:

The following information is from the **United States Consumer Product Safety Commission's Information Sheet for playground surfacing material**; also see the following website for additional information: www.cpsc.gov/cpscpub/pubs/323.html.

X3. SECTION 4 OF THE CONSUMER PRODUCT SAFETY COMMISSION'S OUTDOOR HOME PLAYGROUND SAFETY HANDBOOK⁹

X3.1 *Select Protective Surfacing*—One of the most important things you can do to reduce the likelihood of serious head injuries is to install shock-absorbing protective surfacing under and around your play equipment. The protective surfacing should be applied to a depth that is suitable for the equipment height in accordance with ASTM Specification **F 1292**. There are different types of surfacing to choose from; whichever product you select, follow these guidelines:

X3.1.1 *Loose-Fill Materials*:

X3.1.1.1 Maintain a minimum depth of 9 inches of loose-fill materials such as wood mulch/chips, engineered wood fiber (EWF), or shredded/recycled rubber mulch for equipment up to 8 feet high; and 9 inches of sand or pea gravel for equipment up to 5 feet high. NOTE: An initial fill level of 12 inches will compress to about a 9-inch depth of surfacing overtime. The surfacing will also compact, displace, and settle, and should be periodically refilled to maintain at least a 9-inch depth.

X3.1.2 Use a minimum of 6 inches of protective surfacing for play equipment less than 4 feet in height. If maintained properly, this should be adequate. (At depths less than 6 inches, the protective material is too easily displaced or compacted.) NOTE: Do not install home playground equipment over concrete, asphalt, or any other hard surface. A fall onto a hard surface can result in serious injury to the equipment user. Grass and dirt are not considered protective surfacing because wear and environmental factors can reduce their shock absorbing effectiveness. Carpeting and thin mats are generally not adequate protective surfacing. Ground level equipment such as a sandbox, activity wall, playhouse or other equipment that has no elevated play surface – does not need any protective surfacing.

X3.1.3 Use containment, such as digging out around the perimeter and/or lining the perimeter with landscape edging. Don't forget to account for water drainage.

X3.1.3.1 Check and maintain the depth of the loose-fill surfacing material. To maintain the right amount of loose-fill materials, mark the correct level on play equipment support posts. That way you can easily see when to replenish and/or redistribute the surfacing.

X3.1.3.2 **Do not** install loose-fill surfacing over hard surfaces such as concrete or asphalt.

X3.1.4 *Poured-In-Place Surfaces or Pre-Manufactured Rubber Tiles* — You may be interested in using surfacing other than loose-fill materials – like rubber tiles or poured-in-place surfaces.

X3.1.4.1 Installations of these surfaces generally require a professional and are not “do-it-yourself” projects.

X3.1.4.2 Review surface specification before purchasing this type of surfacing. Ask the installer/manufacturer for a report showing that the product has been tested to the following safety standard: ASTM **F 1292** Standard Specification for Impact Attenuation of Surfacing Materials within the Use Zone of Playground Equipment. This report should show the specific height for which the surface is intended to protect against serious head injury. This height should be equal to or greater than the fall height – vertical distance between a designated play surface (elevated surface for standing, sitting, or climbing) and the protective surfacing below – of your play equipment.

X3.1.4.3 Check the protective surfacing frequently for wear.

X3.1.5 *Placement* — Proper placement and maintenance of protective surfacing is essential. Be sure to:

X3.1.5.1 Extend surfacing at least 6 feet from the equipment in all directions.

X3.1.5.2 For to-fro swings, extend protective surfacing in front of and behind the swing to a distance equal to twice the height of the top bar from which the swing is suspended.

⁹This information has been extracted from the CPSC publications “Playground Surfacing — Technical Information Guide” and “Handbook for Public Playground Safety.” Copies of these reports can be obtained by sending a postcard to the: Office of Public Affairs, U.S. Consumer Product Safety Commission, Washington, D.C., 20207 or call the toll-free hotline: 1-800-638-2772.

Owner's Manual Play Set

The American Society for Testing and Materials takes no position respecting the validity of any parent right asserted in connection with any item mentioned in this standard. Users of this standard are expressly advised that determination of the validity of any such parent rights, and the risk of infringement of such rights, are entirely their own responsibility.

The standard is subject to revision at any time by the responsible technical committee and must be reviewed every five years and if not revised, either approved or withdrawn. Your comments are invited either for revision of this standard or for additional standards and should be addressed to ASTM Headquarters. Your comments will receive careful consideration at a meeting of the responsible technical committee, which you may attend. If you feel that your comments have not received a fair hearing you should make your views known to the ASTM Committee on Standards, 100 Barr Harbor Drive, West Conshohocken, PA 19428.

Play Set Assembly Manual FAQs:

1. Does the area for the playset need to be level?

Yes. Backyard Discovery recommends the playset be positioned on a flat level area for maximum safety and durability. The stakes provided should be used to secure it firmly to the ground.

2. What size area is recommended for the playset?

Backyard Discovery recommends at least a 6' (six foot) perimeter around and above the playset for maximum safety.

3. What age range is appropriate for the playsets?

Backyard Discovery playsets are recommended for children ages 3 – 10 years.

4. Is the wood treated with chemicals?

Backyard Discovery uses 100% Chinese Cedar wood which is naturally bug resistant, decay and rot resistant. To help ensure your child's safety, our wood is completely chemical free and we do not use pressure-treated wood. The stain we use is a top coat using a water-based product that is for appearance only.

5. How often should the playset be stained?

Backyard Discovery recommends the playset be stained once each year. A water or oil based stain can be used at the customer's discretion.

6. Why does it seem that my swing set is developing cracks?

Wood is a natural material; no two pieces are exactly alike. Each piece has its own characteristics and personality and reacts differently to climate changes. When any wood product is exposed to the elements, it develops "wood checks". A check is the radial separation of the wood fibers running with the grain of the wood. These are caused by the varying temperature and moisture conditions. A check is not a crack – it does not affect the strength or durability of the wood or structural integrity of the play set.

7. Do Backyard Discovery playsets come with a warranty?

Yes. All Backyard Discovery products carry a 1-year replacement warranty on all parts for manufacturer's defect. Our wood carries a 5 year warranty on rot and decay as well. Please see warranty details for more information.

8. What is the best way to get started assembling the playset?

Backyard Discovery recommends taking all the parts out of the boxes and arranging them by part number before you begin any assembly. This will not only allow faster assembly, but will also identify any parts that may be missing or damaged so they can be replaced before assembly. If parts are missing or need replacement, go to

www.swingsetonline.com/support.aspx and follow the prompts to order them. Next, read the assembly manual and get the tools ready for the job as recommended in the manual. If the assembly manual is lost or misplaced a new one can be printed from Backyard Discovery's website: www.swingsetonline.com.

9. The playset seems to rock or sway too much. What's wrong?

Rocking is caused by uneven ground or obstructions such as rocks, roots, etc. under the ground rails. These should be removed and the ground underneath re-leveled to prevent rocking. Also ensure the playset is securely staked to the ground using the stakes provided.

10. The 2"x4" boards do not measure 2"x 4". Why not?

In the U.S. it is common practice to describe lumber dimensions using the rough cut sizes from the sawmill and not the finished dimensions. Retailers, home stores, etc. all use this accepted practice for describing lumber dimensions. However, Backyard Discovery playsets are designed and constructed using the actual dimensions so everything fits properly and remains so during the life of the playset.

11. The end beam is not straight up and down. Why not?

This is normal. Backyard Discovery designs playsets this way to ensure the strongest structure possible. The slight angle adds strength and reduces rocking and twisting.

12. The S-hooks for the swings won't close. What is wrong?

Backyard Discovery recommends placing them on a hard surface such as concrete (don't do this on anything that will dent such as metal or finished wood or glass which will break!). It will take quite a few strokes, but the hooks will close.

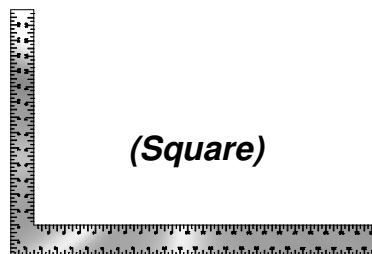
For more information and frequently asked questions, please refer to our website at www.swingsetonline.com.

Tools Required for Installation:

(These are the tools that are generally required for assembly of our outdoor products. These tools are not included with the outdoor product purchase.)



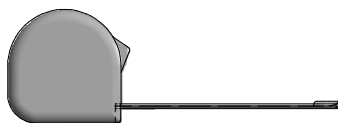
(Level 24")



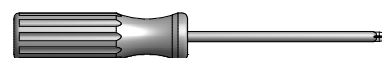
(Square)



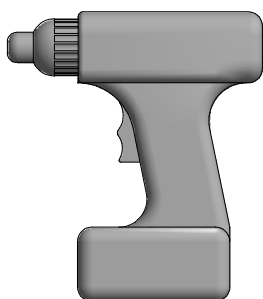
(Open End Wrenches 1/2")



(Tape Measure)



(Phillips Screw Driver)



(Cordless Drill or Electric Drill)



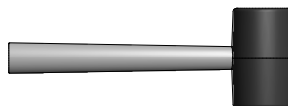
(3/8" Drill Bit)



***(Drill Attachments:
Phillips Head)***



(Claw Hammer)



(Rubber Mallet - Optional)



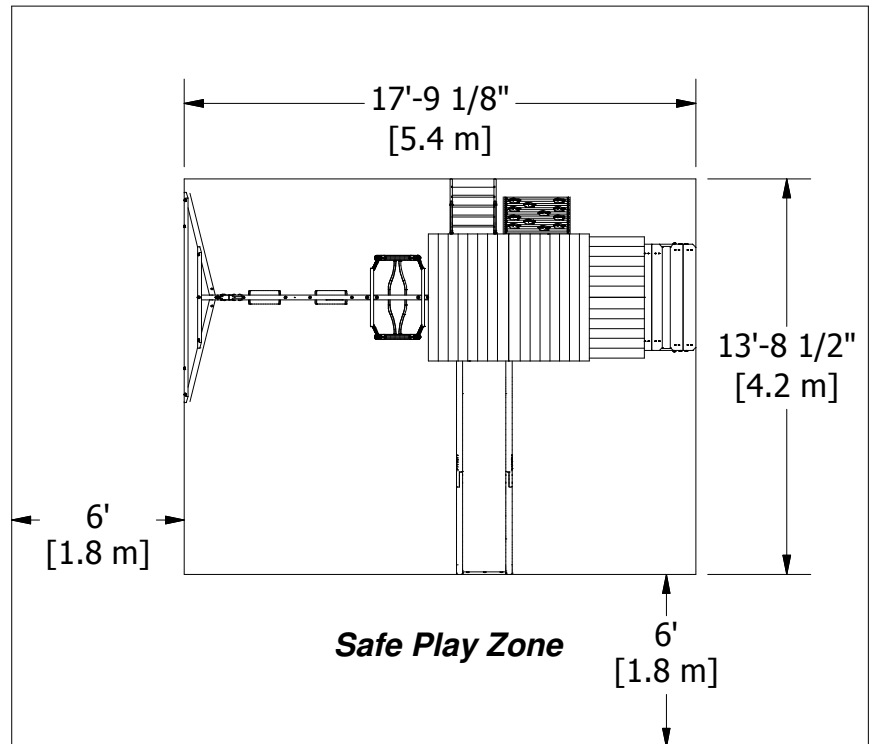
(Ladder)



(An Adult w/ an Adult Helper)

Basic Setup Dimensions

Place the set on level ground, not less than 6 ft [2 m] from any structure or obstruction such as a fence, garage, house, overhanging branches, laundry lines, or electrical wires.



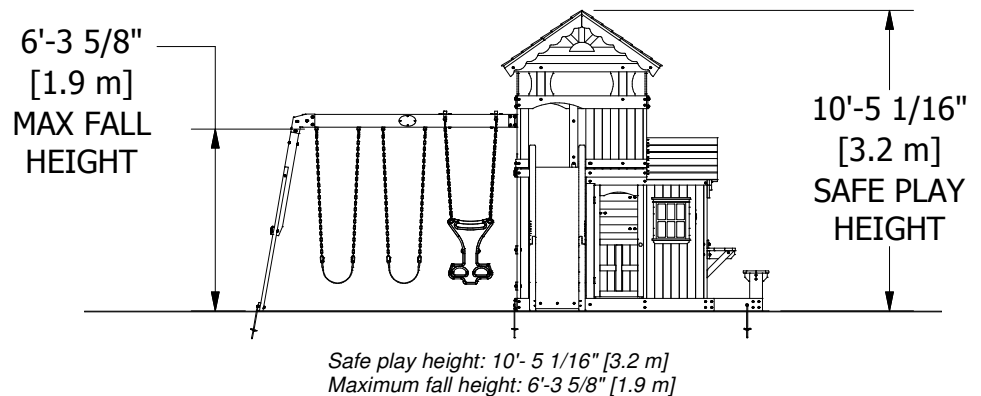
General Information:

Your set has been designed and engineered for children only and for residential use only.

A maximum of 150 lbs. per child is recommended for play activities designed for individual use.

A maximum of 120 lbs. per child is recommended for play activities designed for multiple child use.

A maximum of 9 children is recommended for this swing set.



Important Assembly Notes

- 1) While assembling unit, take time before and after each phase to make sure fort is level. If fort is not level, assembly will be difficult and improper assembly may result. Extra care must be taken to insure the fort is square.
- 2) Tighten bolts securely, tighten nuts on bolts flush to the tube or member, and place caps over exposed bolts snug to the nut.
- 3) Pay close attention to the ITEMS NEEDED FOR EACH PHASE. They can be a valuable aid when sorting your wood and hardware. Assembly will be made easier if items are sorted by phase.
- 4) Pay close attention to make sure you are using the correct hardware in the correct phases. Using incorrect hardware may result in improper assembly.
- 5) Whenever a T-nut is used, follow these directions. Place T-nut in pre-drilled hole. Tap in with hammer. Place bolt with washers in the opposite side. Hand tighten to make sure the bolt is in the T-nut. DO NOT over tighten.
- 6) Read the steps of each phase thoroughly. The written steps may include important information not shown in the illustrations.

Parts Identification

Wood Components

(NOT TO SCALE)



- (2) **E1 - UPRIGHT - W104109**
1 3/8"x3 3/8"x55 5/8" (36x86x1414)



- (1) **E2 - UPRIGHT - W104101**
1 3/8"x3 3/8"x89 1/2" (36x86x2272)



- (1) **E3 - UPRIGHT - W104102**
1 3/8"x3 3/8"x89 1/2" (36x86x2272)



- (1) **E4 - UPRIGHT - W104103**
1 3/8"x3 3/8"x89 1/2" (36x86x2272)



- (1) **E5 - UPRIGHT - W104104**
1 3/8"x3 3/8"x89 1/2" (36x86x2272)



- (1) **E72 - LEFT RAIL - W100036**
1 3/8"x3 3/8"x61 3/4" (36x86x1570)



- (1) **E73 - RIGHT RAIL - W100037**
1 3/8"x3 3/8"x61 3/4" (36x86x1570)



- (2) **E77 - ANGLE BRACE - W100991**
1 3/8"x3 3/8"x74 3/8" (36x86x1890)



- (1) **F1 - SHELF BRACE - W104177**
1 3/8"x2 3/8"x13 1/8" (36x60x332)



- (2) **F2 - SHELF BRACE - W104164**
1 3/8"x2 3/8"x16" (36x60x406)



- (4) **F71 - STANDARD ANGLE BRACE - W100689**
1 3/8"x2 3/8"x13" (36x60x330)



- (2) **G1 - VERTICAL BENCH LEG - W104170**
1"x5 1/4"x15 3/4" (24x134x400)

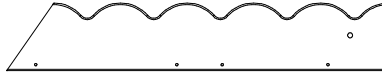


- (2) **G2 - HORIZONTAL BENCH LEG - W104168**
1"x5 1/4"x22" (24x134x560)

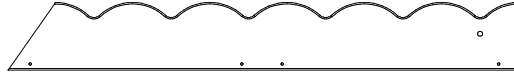
Parts Identification

Wood Components

(NOT TO SCALE)



- (2) **G3 - LEMONADE GABLE BOARD - W104151**
1"x5 1/4"x29 7/8" (24x134x758)



- (4) **G4 - FORT GABLE BOARD - W104150**
1"x5 1/4"x39 7/8" (24x134x1014)



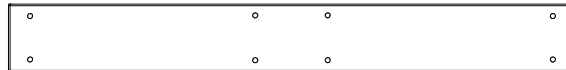
- (1) **G5 - SHELF BOARD - W104178**
1"x5 1/4"x43" (24x134x1092)



- (1) **G6 - SHELF BOARD - W104179**
1"x5 1/4"x43" (24x134x1092)



- (1) **G7 - GROUND BOARD - W104108**
1"x5 1/4"x44 1/4" (24x134x1124)



- (1) **G8 - SWING BEAM MOUNTING BOARD - W104119**
1"x5 1/4"x44 1/4" (24x134x1124)



- (2) **G9 - SEAT BOARD - W104172**
1"x5 1/4"x44 1/4" (24x134x1124)



- (1) **G10 - LEMONADE ARCH BOARD - W104175**
1"x5 1/4"x44 1/4" (24x134x1124)



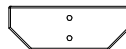
- (1) **G11 - GROUND BOARD - W104107**
1"x5 1/4"x46 1/8" (24x134x1172)



- (1) **G12 - GROUND BOARD - W104105**
1"x5 1/4"x82" (24x134x2084)



- (1) **G13 - GROUND BOARD - W104106**
1"x5 1/4"x82" (24x134x2084)



- (2) **H2 - BENCH SEAT SUPPORT - W104171**
1"x3 3/8"x9 1/2" (24x86x240)

Parts Identification

Wood Components

(NOT TO SCALE)



- (1) **H3 - SHELF SUPPORT - W104176**
1"x3 3/8"x10 1/4" (24x86x260)



- (2) **H4 - SHELF SUPPORT - W104163**
1"x3 3/8"x10 1/2" (24x86x268)



- (1) **H5 - FLOOR RAIL - W104113**
1"x3 3/8"x44 1/4" (24x86x1124)



- (2) **H6 - HORIZONTAL ROOF SUPPORT - W104145**
1"x3 3/8"x44 1/4" (24x86x1124)



- (1) **H7 - SHELF SUPPORT RAIL - W104161**
1"x3 3/8"x44 1/4" (24x86x1124)



- (1) **H8 - LEMONADE ROOF SUPPORT - W104124**
1"x3 3/8"x45 1/2" (24x86x1156)



- (1) **H9 - FLOOR RAIL - W104112**
1"x3 3/8"x46 1/8" (24x86x1172)



- (2) **H10 - FLOOR SUPPORT - W104120**
1"x3 3/8"x51 5/8" (24x86x1310)



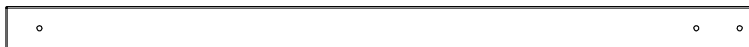
- (1) **H11 - FLOOR RAIL - W104110**
1"x3 3/8"x53 7/8" (24x86x1370)



- (1) **H12 - FLOOR RAIL - W104111**
1"x3 3/8"x53 7/8" (24x86x1370)



- (2) **H13 - HORIZONTAL ROOF SUPPORT - W104146**
1"x3 3/8"x58 7/8" (24x86x1494)



- (1) **H14 - DOOR RAIL - W104114**
1"x3 3/8"x59" (24x86x1500)

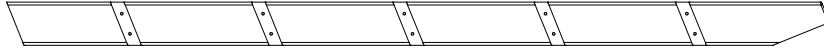


- (5) **H76 - LADDER RUNG - W100611**
1"x3 3/8"x18 1/8" (24x86x460)

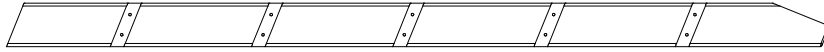
Parts Identification

Wood Components

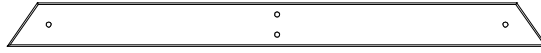
(NOT TO SCALE)



- (1) **H77 - LEFT UPRIGHT - W100972**
1"x3 3/8"x64 3/8" (24x86x1634)



- (1) **H78 - RIGHT UPRIGHT - W100973**
1"x3 3/8"x64 3/8" (24x86x1634)



- (1) **H79 - END SUPPORT - W100992**
1"x3 1/2"x42" (24x86x1072)



- (1) **H80 - GROUND BOARD - W100990**
1"x3 3/8"x87 3/8" (24x86x2218)



- (1) **J1 - WALL RAIL - W104180**
1"x2 3/8"x23 3/4" (24x60x602)



- (1) **J2 - WALL RAIL - W104181**
1"x2 3/8"x27 1/8" (24x60x690)



- (2) **J3 - LEMONADE ROOF SUPPORT - W104156**
1"x2 3/8"x28 1/4" (24x60x718)



- (2) **K1 - UPPER WALL RAIL - W104116**
5/8"x5 1/4"x45 1/2" (16x134x1156)



- (1) **K2 - ARCH BOARD - W104117**
5/8"x5 1/4"x53 7/8" (16x134x1370)



- (1) **K3 - DOUBLE ARCH BOARD - W104118**
5/8"x5 1/4"x53 7/8" (16x134x1370)



- (1) **M1 - DECORATIVE WALL RAIL - W104142**
5/8"x3 3/8"x3 3/8" (16x86x86)



- (1) **M2 - SMALL WALL RAIL - W104135**
5/8"x3 3/8"x5 3/8" (16x86x138)



- (2) **M3 - LEMONADE WALL RAIL - W104173**
5/8"x3 3/8"x6 3/4" (16x86x172)



- (2) **M4 - UPPER WALL BOARD - W104131**
5/8"x3 3/8"x8 1/2" (16x86x216)

Parts Identification

Wood Components

(NOT TO SCALE)



- (2) **M5 - UPPER WALL BOARD - W104132**
5/8"x3 3/8"x8 1/2" (16x86x216)



- (2) **M6 - UPPER WALL BOARD - W104128**
5/8"x3 3/8"x11 7/8" (16x86x302)



- (2) **M7 - UPPER WALL BOARD - W104129**
5/8"x3 3/8"x11 7/8" (16x86x302)



- (6) **M8 - WALL SLAT - W104134**
5/8"x3 3/8"x14 7/8" (16x86x378)



- (3) **M9 - SHORT ROOF SUPPORT - W104143**
5/8"x3 3/8"x15 5/8" (16x86x398)



- (6) **M10 - ARCH ROOF SUPPORT - W104144**
5/8"x3 3/8"x15 5/8" (16x86x398)



- (11) **M11 - WALL BOARD - W104169**
5/8"x3 3/8"x23 1/2" (16x86x596)



- (1) **M12 - WALL RAIL - W104136**
5/8"x3 3/8"x25 1/4" (16x86x642)



- (13) **M13 - WALL BOARD - W104137**
5/8"x3 3/8"x26 1/8" (16x86x662)



- (1) **M14 - WALL BOARD - W104138**
5/8"x3 3/8"x26 1/8" (16x86x662)



- (1) **M15 - WALL BOARD - W104160**
5/8"x3 3/8"x26 1/8" (16x86x662)



- (1) **M16 - LEMONADE ROOF SUPPORT - W104123**
5/8"x3 3/8"x26 3/4" (16x86x678)



- (2) **M17 - WALL BOARD - W104174**
5/8"x3 3/8"x27 3/4" (16x86x706)

Parts Identification

Wood Components

(NOT TO SCALE)



- (1) **M18 - ENTRANCE WALL BOARD - W104141**
5/8"x3 3/8"x27 7/8" (16x86x708)



- (4) **M19 - LOWER WALL BOARD - W104126**
5/8"x3 3/8"x29 5/8" (16x86x754)



- (4) **M20 - LOWER WALL BOARD - W104127**
5/8"x3 3/8"x29 5/8" (16x86x754)



- (2) **M21 - GABLE BOARD - W104158**
5/8"x3 3/8"x39 3/8" (16x86x1000)



- (5) **M22 - LONG ROOF SUPPORT - W104139**
5/8"x3 3/8"x43 1/4" (16x86x1098)



- (10) **M23 - LONG ARCH ROOF SUPPORT - W104140**
5/8"x3 3/8"x43 1/4" (16x86x1098)



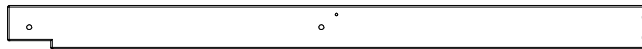
- (1) **M24 - WALL RAIL - W104133**
5/8"x3 3/8"x44 1/4" (16x86x1124)



- (2) **M25 - WALL RAIL - W104162**
5/8"x3 3/8"x44 1/4" (16x86x1124)



- (2) **M26 - GABLE BOARD - W104157**
5/8"x3 3/8"x48" (16x86x1220)



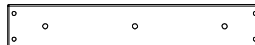
- (1) **M27 - WALL RAIL - W104115**
5/8"x3 3/8"x50 1/2" (16x86x1283)



- (3) **M28 - WALL BOARD - W104130**
5/8"x3 3/8"x53 7/8" (16x86x1368)



- (4) **M29 - WALL BOARD - W104125**
5/8"x3 3/8"x57 1/4" (16x86x1454)



- (1) **M70 - SLIDE BED SUPPORT - W100935**
5/8"x3 3/8"x19 7/8" (16x86x505)

Parts Identification

Wood Components

(NOT TO SCALE)



- (1) **M73 - REAR SUPPORT - W100610**
5/8"x3 3/8"x19 1/4" (16x86x488)



- (10) **M74 - ROCK WALL BOARD - W100987**
5/8"x3 3/8"x26 5/8" (16x86x675)



- (4) **M75 - ROCK WALL BOARD - W100988**
5/8"x3 3/8"x26 5/8" (16x86x675)



- (4) **M76 - ROCK WALL BOARD - W100989**
5/8"x3 3/8"x26 5/8" (16x86x675)



- (1) **M102 - ATTACHMENT BOARD - W104184**
5/8"x3 3/8"x27 7/8" (16x86x707)



- (1) **M107 - ATTACHMENT BOARD - W103559**
5/8"x3 3/8"x19 1/4" (16x86x488)



- (1) **M108 - TOP BOARD - W103105**
5/8"x3 3/8"x27 7/8" (16x86x707)



- (1) **N1 - LEMONADE GABLE BOARD - W104159**
5/8"x2 3/8"x35 3/8" (16x60x900)



- (1) **N2 - FLOOR BOARD - W104122**
5/8"x2 3/8"x37 3/8" (16x60x950)



- (1) **Q1 - SHELF BOARD - W104165**
1"x4 3/8"x44 1/4" (24x112x1124)



- (1) **Q2 - SHELF BOARD - W104166**
1"x4 3/8"x44 1/4" (24x112x1124)



- (1) **Q3 - SHELF BOARD - W104167**
1"x4 3/8"x44 1/4" (24x112x1124)



- (1) **SB74 - SWING BEAM EXTENDED - W102419**
2"x5 1/4"x89 1/2" (50x134x2274)

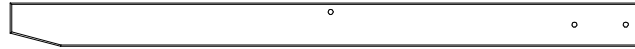
Parts Identification

Wood Components

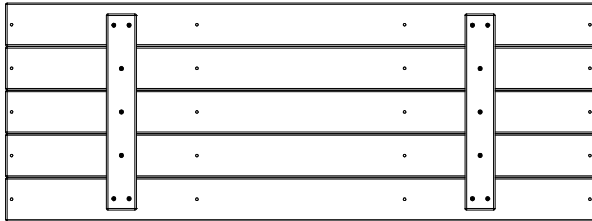
(NOT TO SCALE)



(1) **U1 - WALL RAIL - W104147**
3/4"x5 1/4"x37 3/8" (20x134x950)



(1) **W71 - SWING BEAM SUPPORT - W102420**
2"x3 3/8"x49 5/8" (50x86x1260)



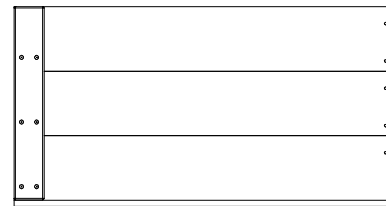
(3) **FP1 - FLOOR PANEL - W104121**



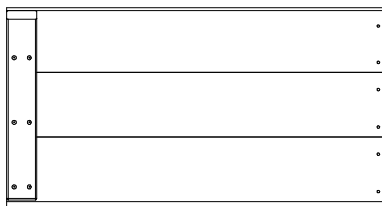
(2) **RP1 - ROOF PANEL - W104148**



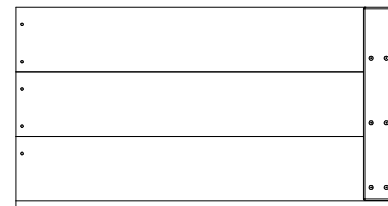
(2) **RP2 - ROOF PANEL - W104149**



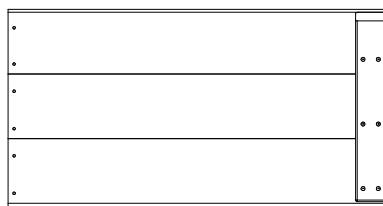
(1) **RP3 - ROOF PANEL - W104152**



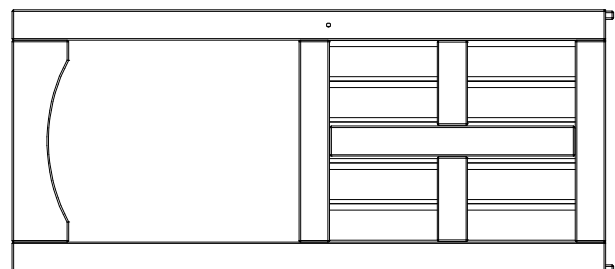
(1) **RP4 - ROOF PANEL - W104153**



(1) **RP5 - ROOF PANEL - W104154**

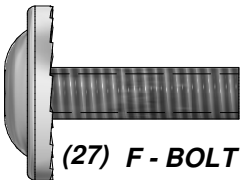


(1) **RP6 - ROOF PANEL - W104155**

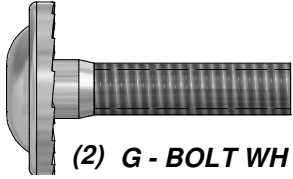


(1) **DP1 - DOOR ASSEMBLY - W104183**

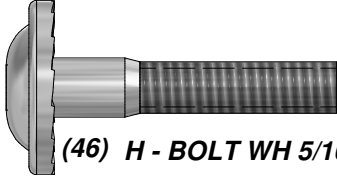
Parts Identification Hardware



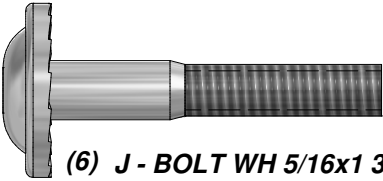
(27) **F - BOLT WH 5/16x1 - H100008**



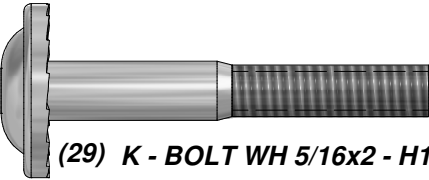
(2) **G - BOLT WH 5/16x1 1/4 - H100009**



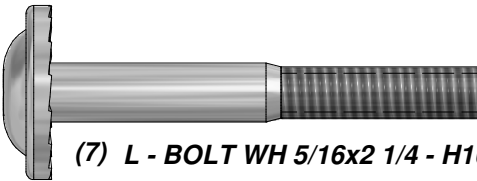
(46) **H - BOLT WH 5/16x1 1/2 - H100010**



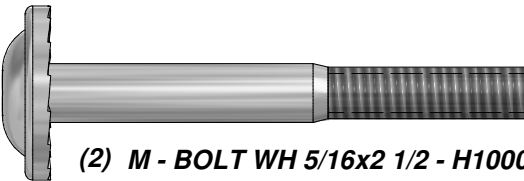
(6) **J - BOLT WH 5/16x1 3/4 - H100011**



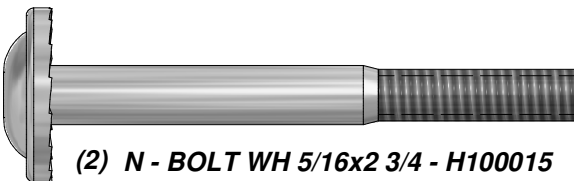
(29) **K - BOLT WH 5/16x2 - H100012**



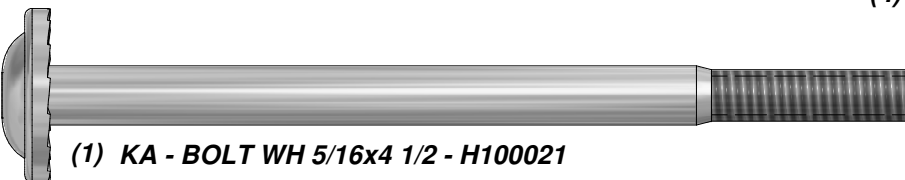
(7) **L - BOLT WH 5/16x2 1/4 - H100013**



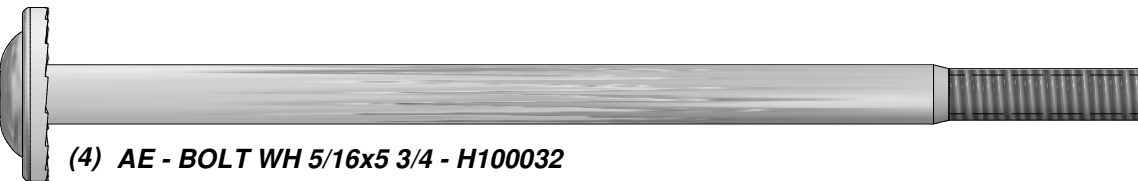
(2) **M - BOLT WH 5/16x2 1/2 - H100014**



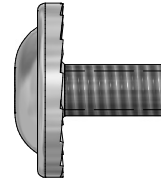
(2) **N - BOLT WH 5/16x2 3/4 - H100015**



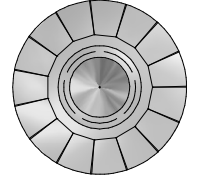
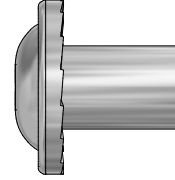
(1) **KA - BOLT WH 5/16x4 1/2 - H100021**



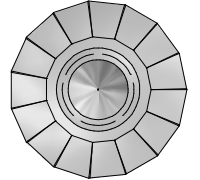
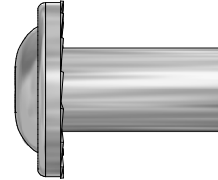
(4) **AE - BOLT WH 5/16x5 3/4 - H100032**



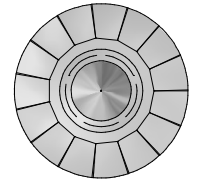
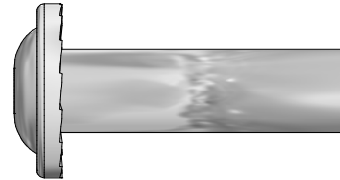
(9) **CM - BOLT WH 5/16x1/2 - H100115**



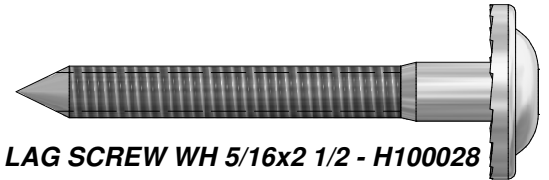
(22) **B - NUT BARREL WH 5/16x5/8 - H100004**



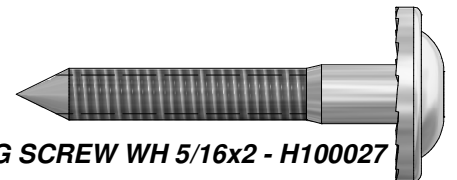
(93) **D - NUT BARREL WH 5/16x7/8 - H100005**



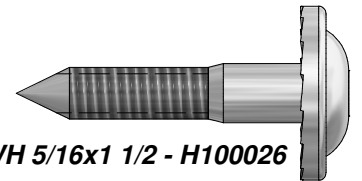
(11) **C - NUT BARREL WH 5/16x1 1/2 - H100006**



(25) **AA - LAG SCREW WH 5/16x2 1/2 - H100028**



(22) **Z - LAG SCREW WH 5/16x2 - H100027**



(4) **Y - LAG SCREW WH 5/16x1 1/2 - H100026**

Parts Identification

Hardware



(4) **BM - SCREW PFH 6x3/4 - H100084**



(2) **CV - SCREW PFH 8x1/2 - H100124**



(296) **BR - SCREW PFH 8x1 1/8 - H100088**



(222) **BP - SCREW PFH 8x1 1/2 - H100086**



(7) **BS - SCREW PFH 8x1 3/4 - H100089**



(50) **CK - SCREW PFH 8x2 - H100111**



(41) **BT - SCREW PFH 8x2 1/2 - H100090**



(41) **BW - SCREW PFH 8x3 - H100092**



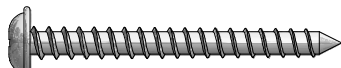
(2) **CY - SCREW PWH 8x5/8 - H100128**



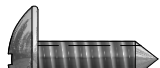
(15) **BC - SCREW PWH 8x3/4 - H100070**



(9) **TS - SCREW PWH 8x1-1/4 - H100180**



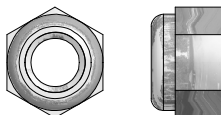
(1) **TV - SCREW PWH 8x1-5/8 - H100181**



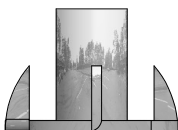
(2) **QA - SCREW TAPPING 14x5/8 - H100164**



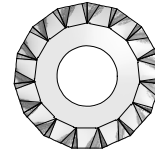
(26) **BE - T-NUT 1/4 - H100072**



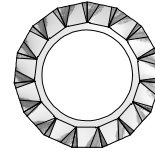
(15) **CJ - NUT LOCK 5/16 - H100110**



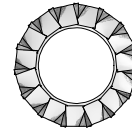
(17) **BG - T-NUT 5/16 - H100074**



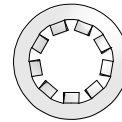
(166) **AC - WASHER LOCK EXT 8x19 - H100030**



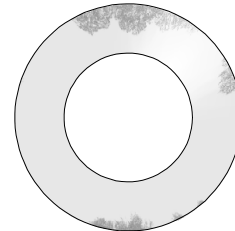
(115) **AD - WASHER LOCK EXT 12x19 - H100031**



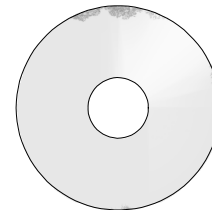
(7) **KW - WASHER LOCK EXT 8x15 - H100139**



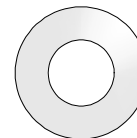
(26) **CG - WASHER LOCK INT 8x15 - H100108**



(4) **CB - WASHER SAFETY 17x30 - H100103**



(24) **CD - WASHER FLAT 8x27 - H100105**



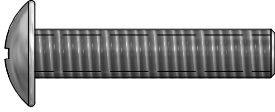
(7) **CE - WASHER FLAT 9x18 - H100106**



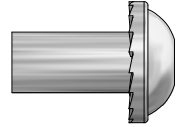
(4) **BX - WASHER SPLIT 5/16 - H100095**

Parts Identification

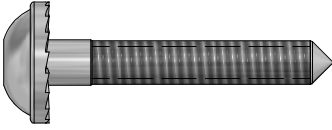
Hardware



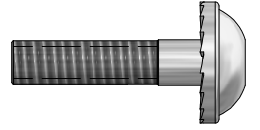
(26) AZ - BOLT PTH 1/4x1 1/4 - H100062



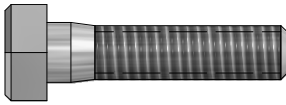
(7) KS - NUT BARREL WH 1/4x5/8 - H100136



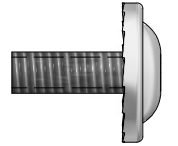
(4) LC - LAG SCREW WH 1/4x1-1/2 - H100145



(7) KT - BOLT WH 1/4x1 - H100137



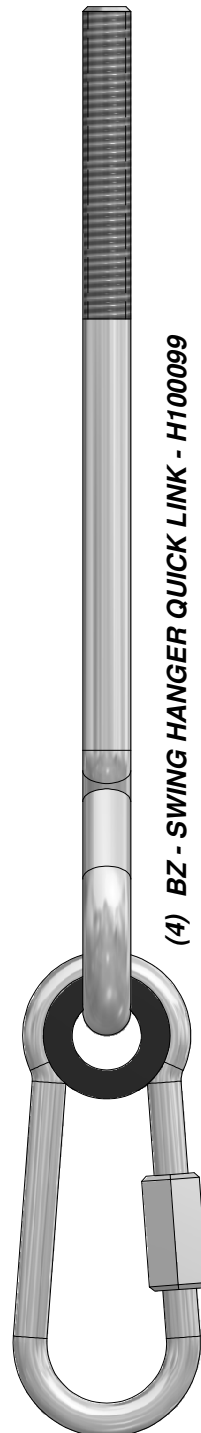
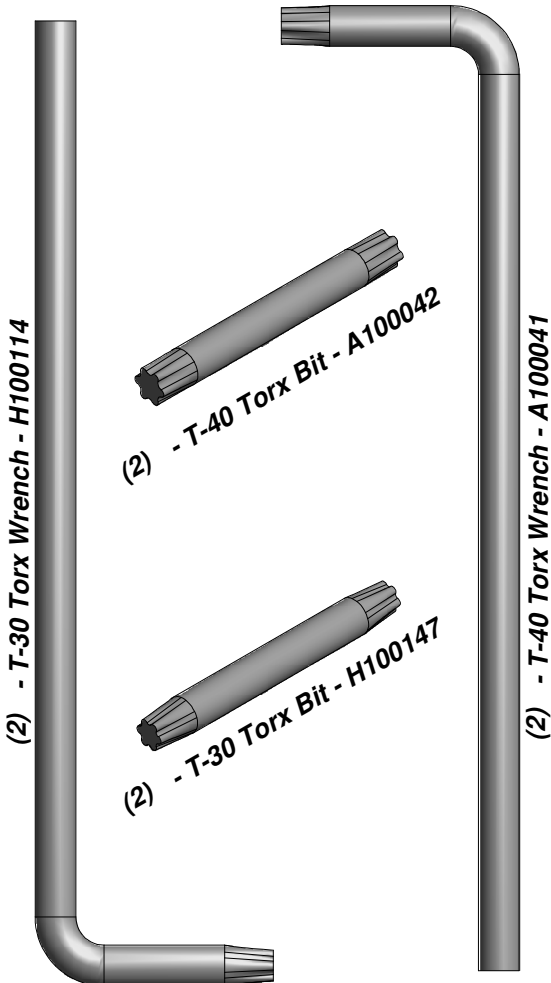
(4) AJ - BOLT HEX 5/16x1 1/4 - H100042



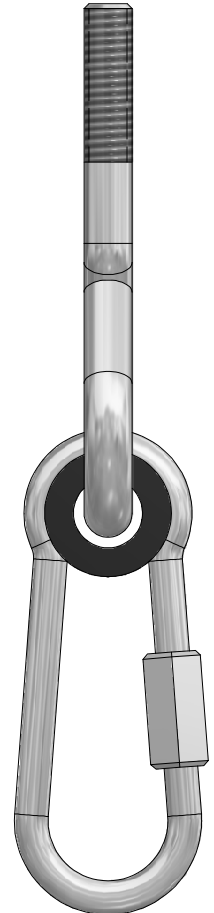
(9) YK - BOLT WH 5/16x3/4 - H100222



(2) AN - BOLT HEX 5/16x2-3/4 - H100047



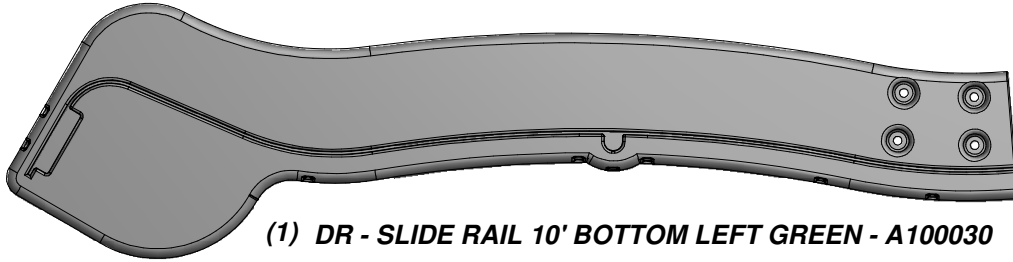
(4) BZ - SWING HANGER QUICK LINK - H100099



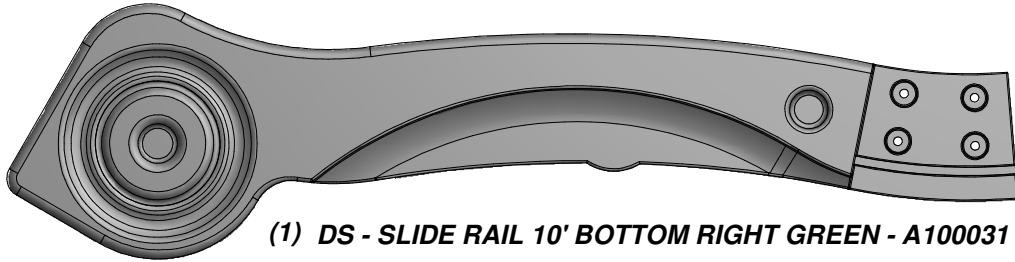
(4) BY - SWING HANGER QUICK LINK - H100097

Parts Identification

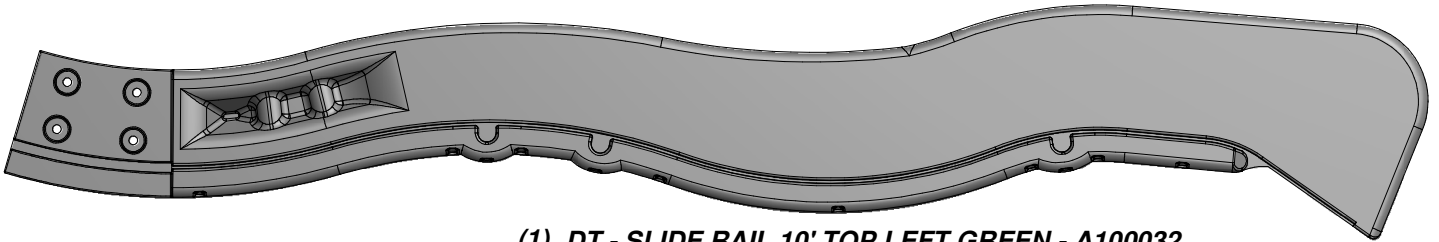
Accessories
(NOT TO SCALE)



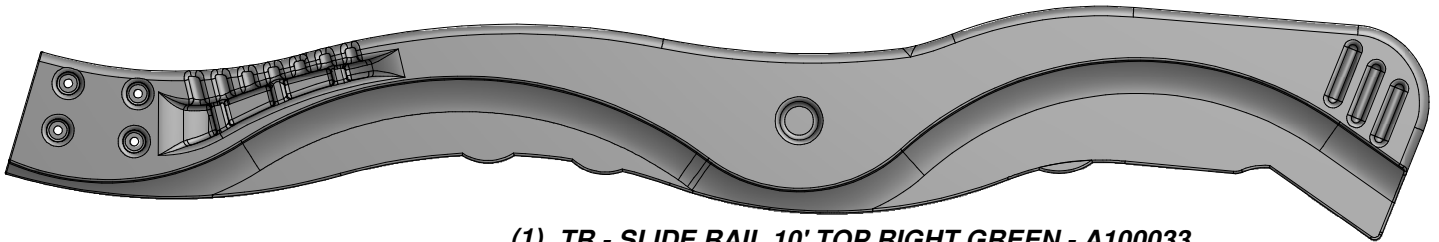
(1) DR - SLIDE RAIL 10' BOTTOM LEFT GREEN - A100030



(1) DS - SLIDE RAIL 10' BOTTOM RIGHT GREEN - A100031



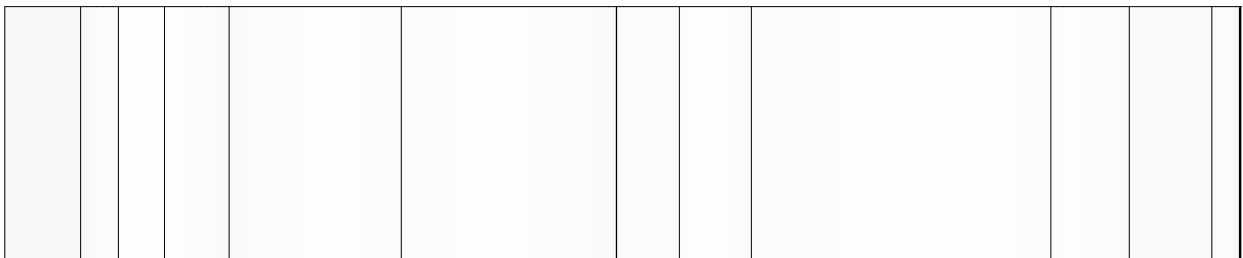
(1) DT - SLIDE RAIL 10' TOP LEFT GREEN - A100032



(1) TR - SLIDE RAIL 10' TOP RIGHT GREEN - A100033



(4) DW - SLIDE SUPPORT TUBE 21.34x505 - A100034

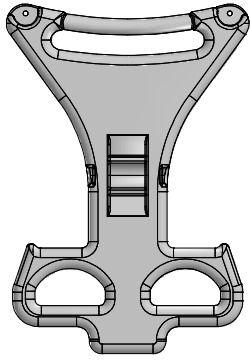


(1) DX - SLIDE BED 10' LIGHT GREEN - A100035

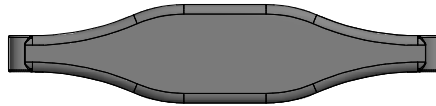
Parts Identification

Accessories

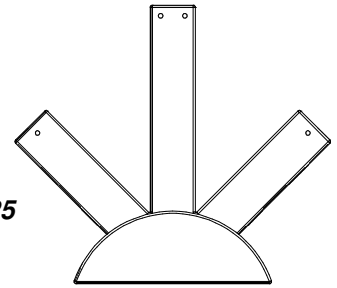
(NOT TO SCALE)



(1) DN - GLIDER SEAT DARK GREEN - A100025

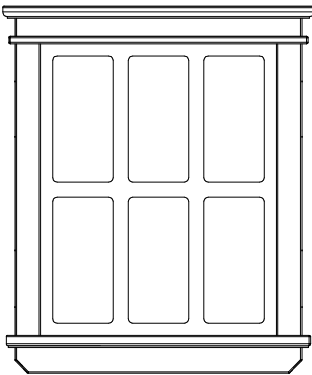


(2) DP - SWING SEAT GREEN - A100027

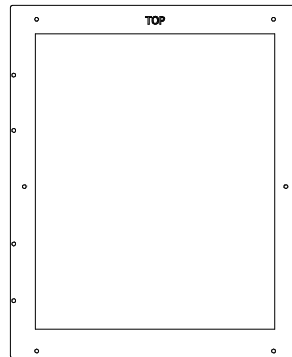


(3) VB - PLASTIC SUNBURST - A100361

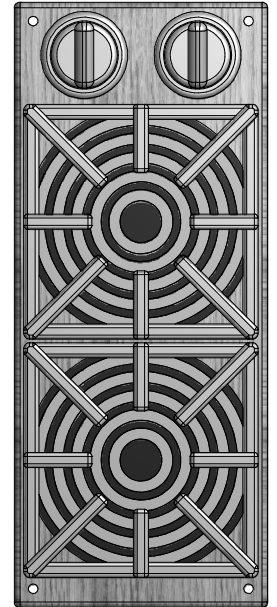
(2) DJ - GLIDER ARM LIGHT GREEN - A100021



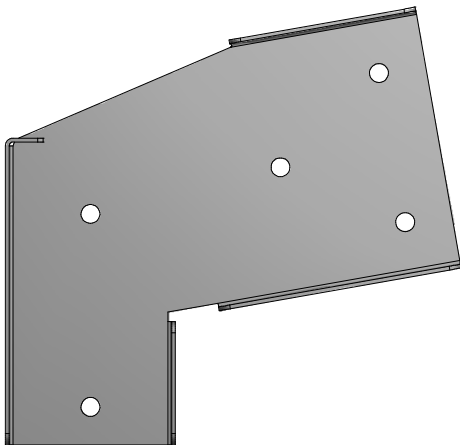
(2) SX - PLASTIC WINDOW 44x412x485 - A100321



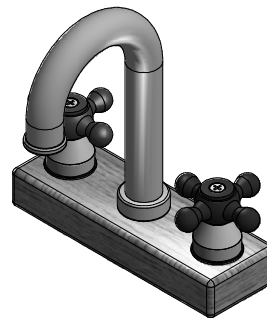
(2) WR - LARGE PLASTIC WINDOW TRIM - A100365



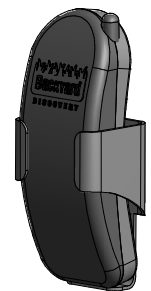
(1) JX - STOVE ASSEMBLY - A100136



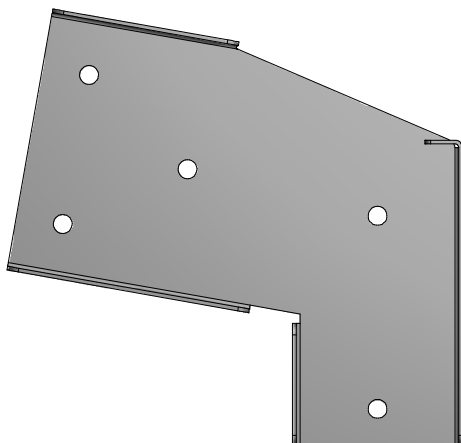
(1) TB - SWING BEAM EXTENSION BRACKET-LEFT - A100325



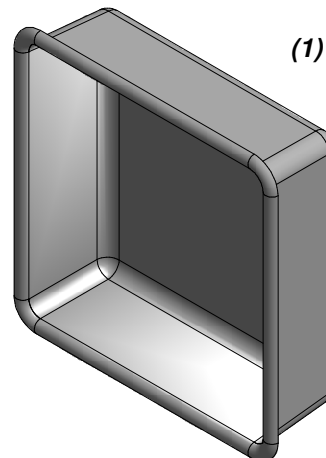
(1) JR - FAUCET KIT - A100125



(1) MS - PHONE KIT - A100132



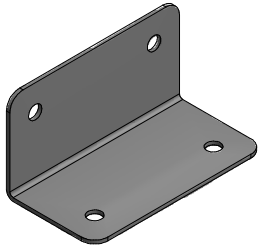
(1) TC - SWING BEAM EXTENSION BRACKET-RIGHT - A100326



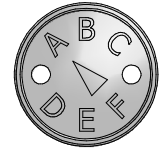
(1) JS - SQUARE SINK BOWL - A100129

Parts Identification

Accessories (NOT TO SCALE)



(1) HC - BYD ID TAG (LARGE) 2011 WITH AGES - A100164

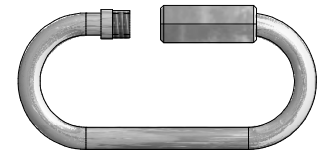
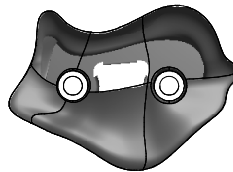


(1) SQ - "A" REVISION TAG - A100314

(2) GD - L BRACKET 66x66x127 - A100140

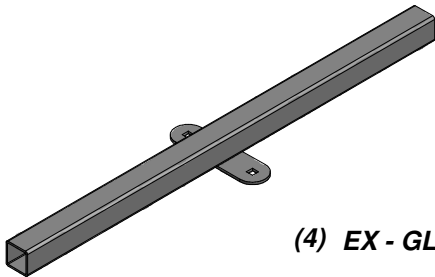


(12) EV - CLIMBING ROCK - GREEN - A100064



(8) FA - QUICK LINK - A100069

(2) TZ - L BRACKET 2.5x38x50x55 - A100340



(4) EY - TUBING CAP GLIDER SUPPORT - A100067



(4) EX - GLIDER BUSHING BYD GREEN - A100066

(2) EW - GLIDER SUPPORT BYD GREEN - A100065



(1) HZ - KNOB - A100071



(2) JV - HAND GRIP GREEN 816 c/c - A100134



(3) FX - HAND GRIP METAL GREEN 381 c/c - A100118



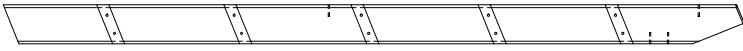
(6) KC - METAL GROUND STAKE BROWN - A100178



(4) DG - CHAIN GREEN 38.5" - A100015



(4) EZ - CHAIN GREEN 51.25" - A100068

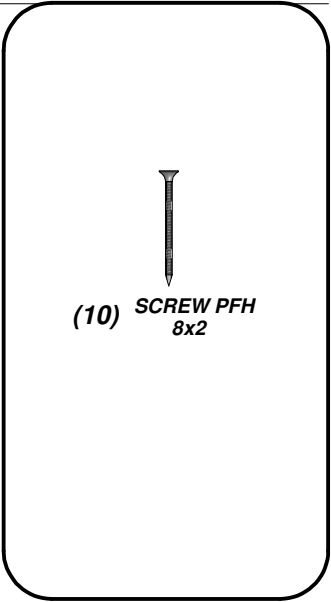
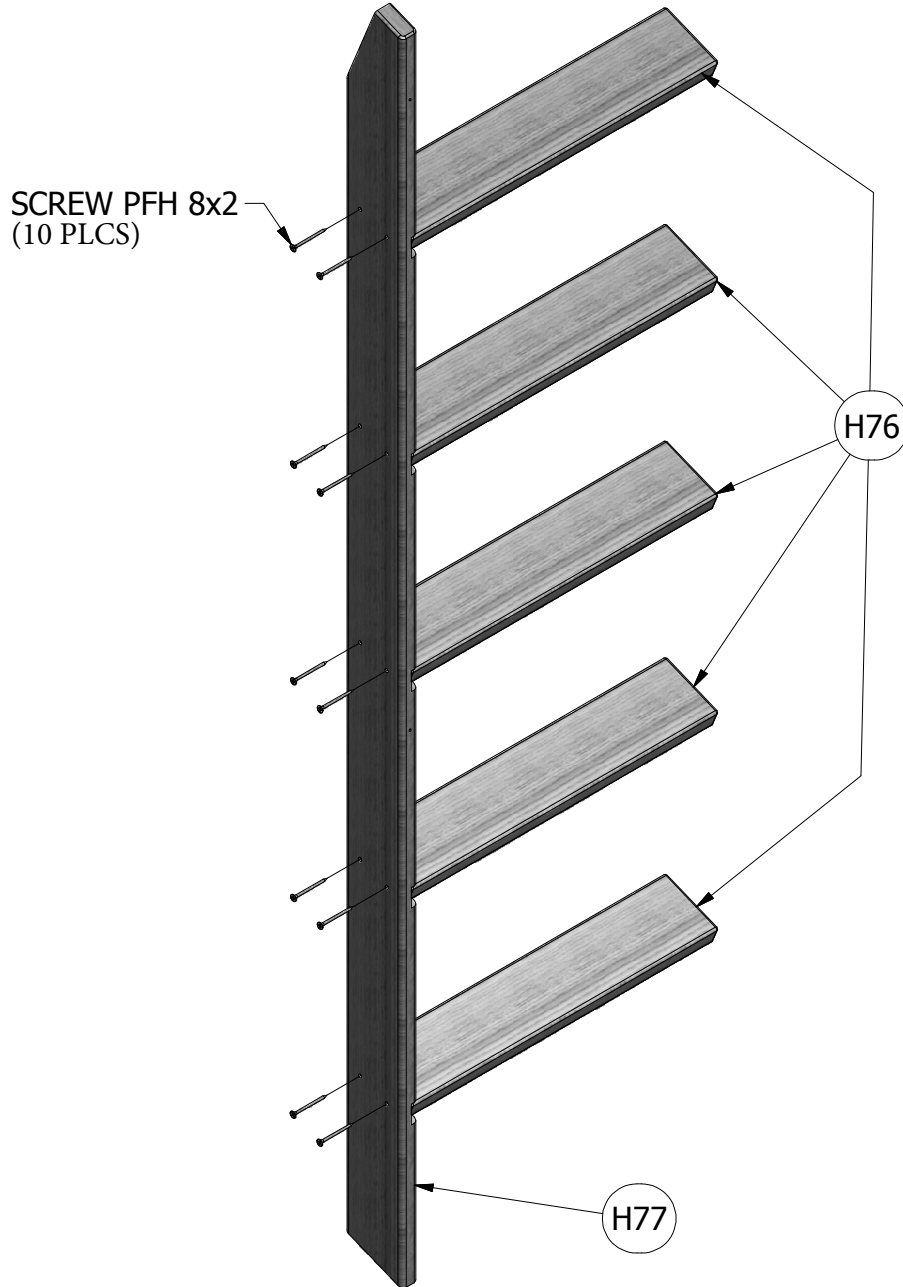


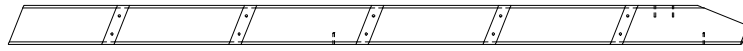
(1) **H77 - LEFT UPRIGHT - W100972**
1"x3 3/8"x64 3/8" (24x86x1634)



(5) **H76 - LADDER RUNG - W100611**
1"x3 3/8"x18 1/8" (24x86x460)

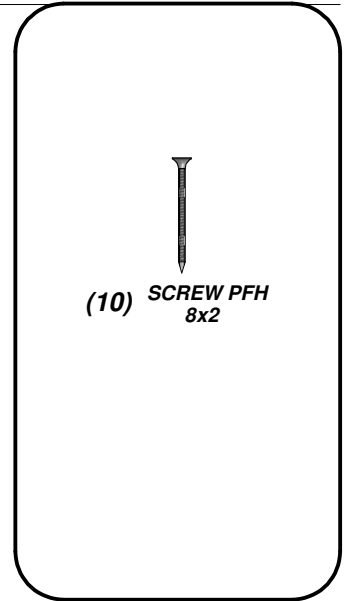
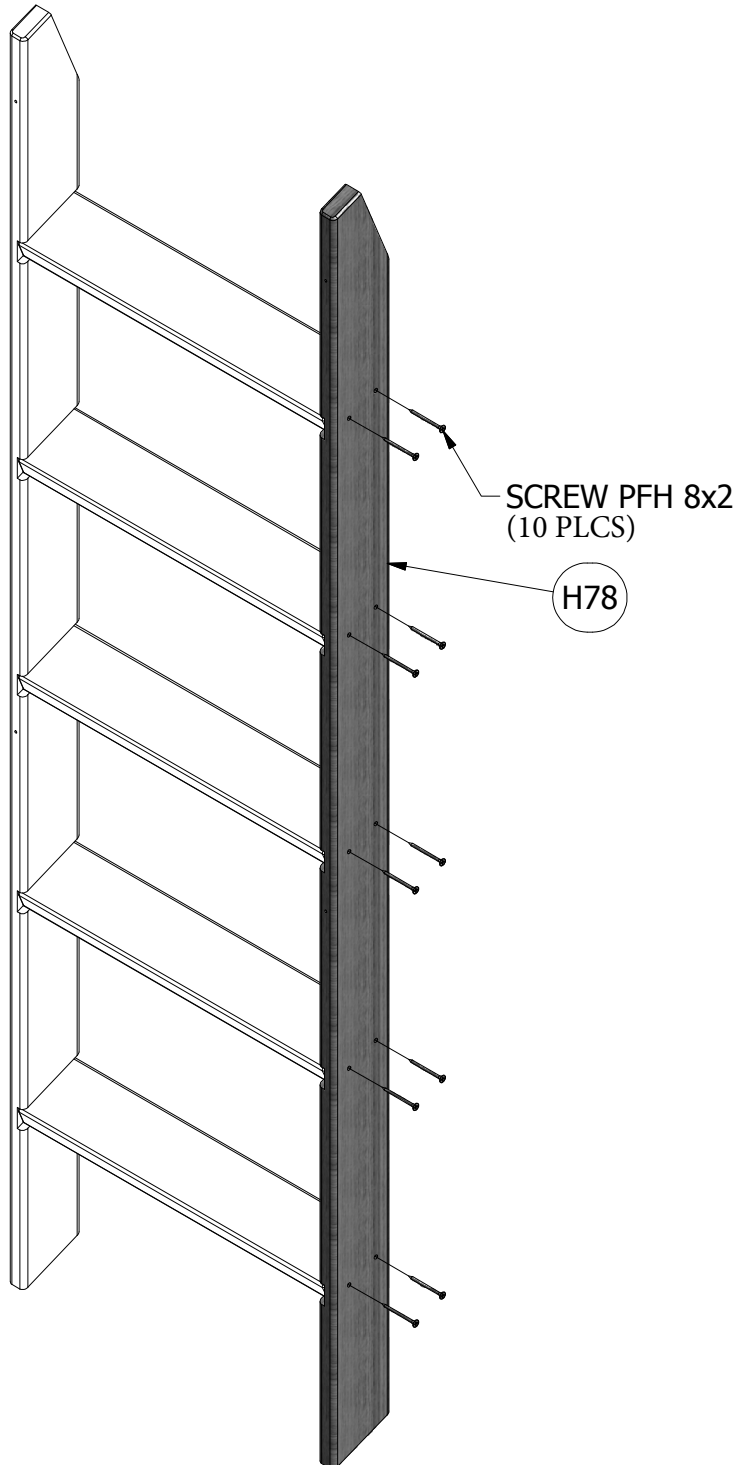
5 FOOT LADDER ASSEMBLY STEP 1





(1) **H78 - RIGHT UPRIGHT - W100973**
1"x3 3/8"x64 3/8" (24x86x1634)

5 FOOT LADDER ASSEMBLY
STEP 2



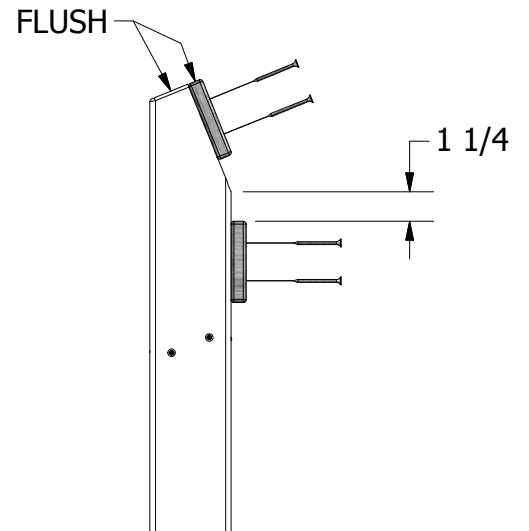
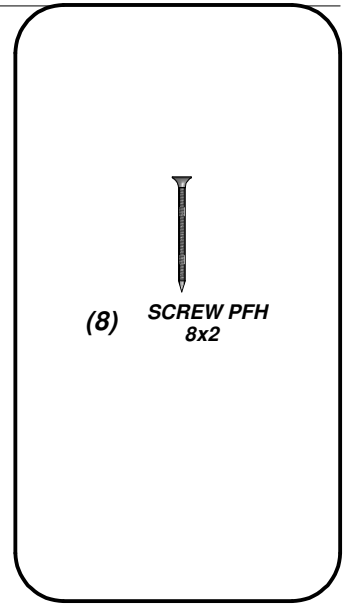
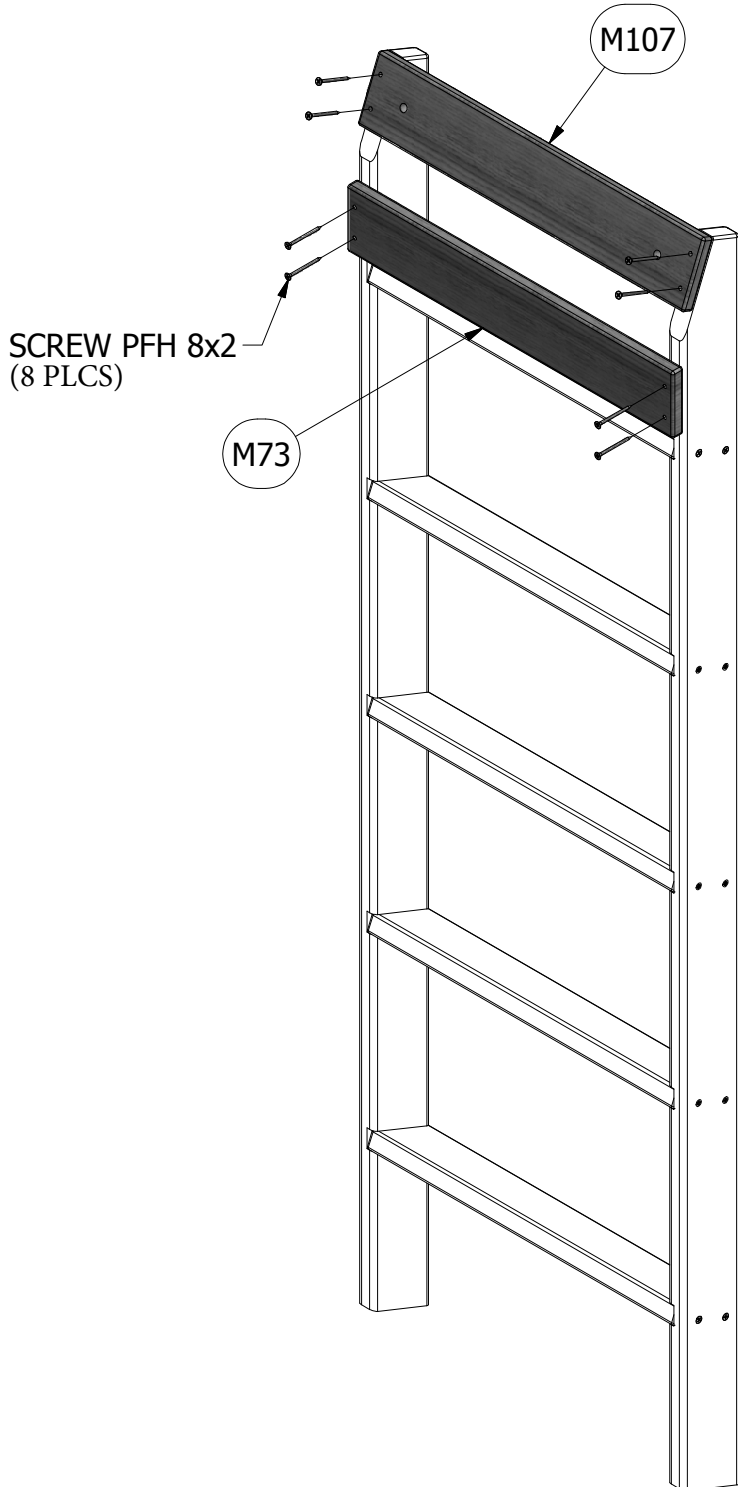


(1) **M73 - REAR SUPPORT - W100610**
5/8"x3 3/8"x19 1/4" (16x86x488)



(1) **M107 - ATTACHMENT BOARD - W103559**
5/8"x3 3/8"x19 1/4" (16x86x488)

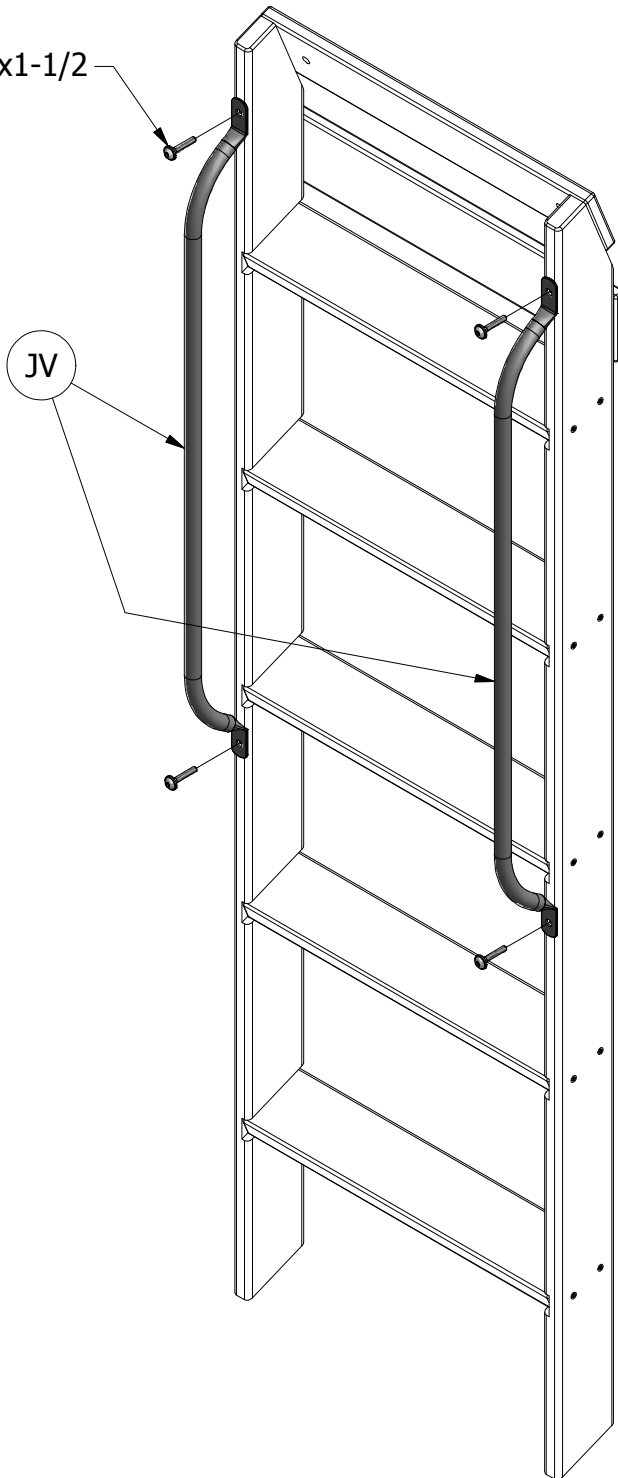
5 FOOT LADDER ASSEMBLY STEP 3




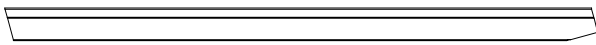
(2) *JV - HAND GRIP GREEN 816 c/c - A100134*

**5 FOOT LADDER ASSEMBLY
STEP 4**

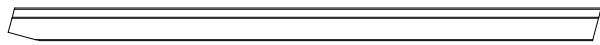
LAG SCREW WH 1/4x1-1/2
(4 PLCS)



(4)  LAG SCREW
WH 1/4x1-1/2



(1) **E72 - LEFT RAIL - W100036**
 1 3/8"x3 3/8"x61 3/4" (36x86x1570)



(1) **E73 - RIGHT RAIL - W100037**
 1 3/8"x3 3/8"x61 3/4" (36x86x1570)



(10) **M74 - ROCK WALL BOARD - W100987**
 5/8"x3 3/8"x26 5/8" (16x86x675)



(4) **M75 - ROCK WALL BOARD - W100988**
 5/8"x3 3/8"x26 5/8" (16x86x675)



(4) **M76 - ROCK WALL BOARD - W100989**
 5/8"x3 3/8"x26 5/8" (16x86x675)

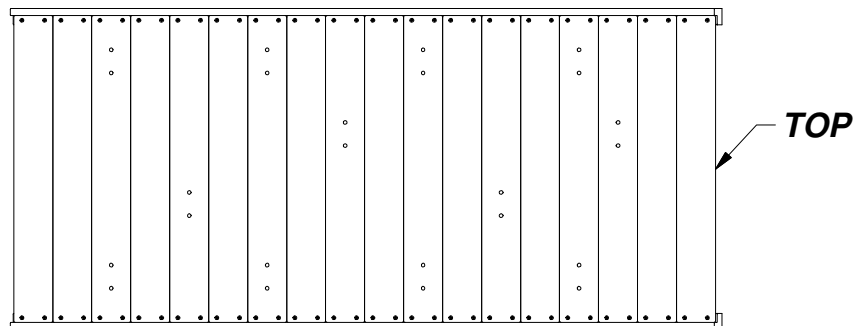
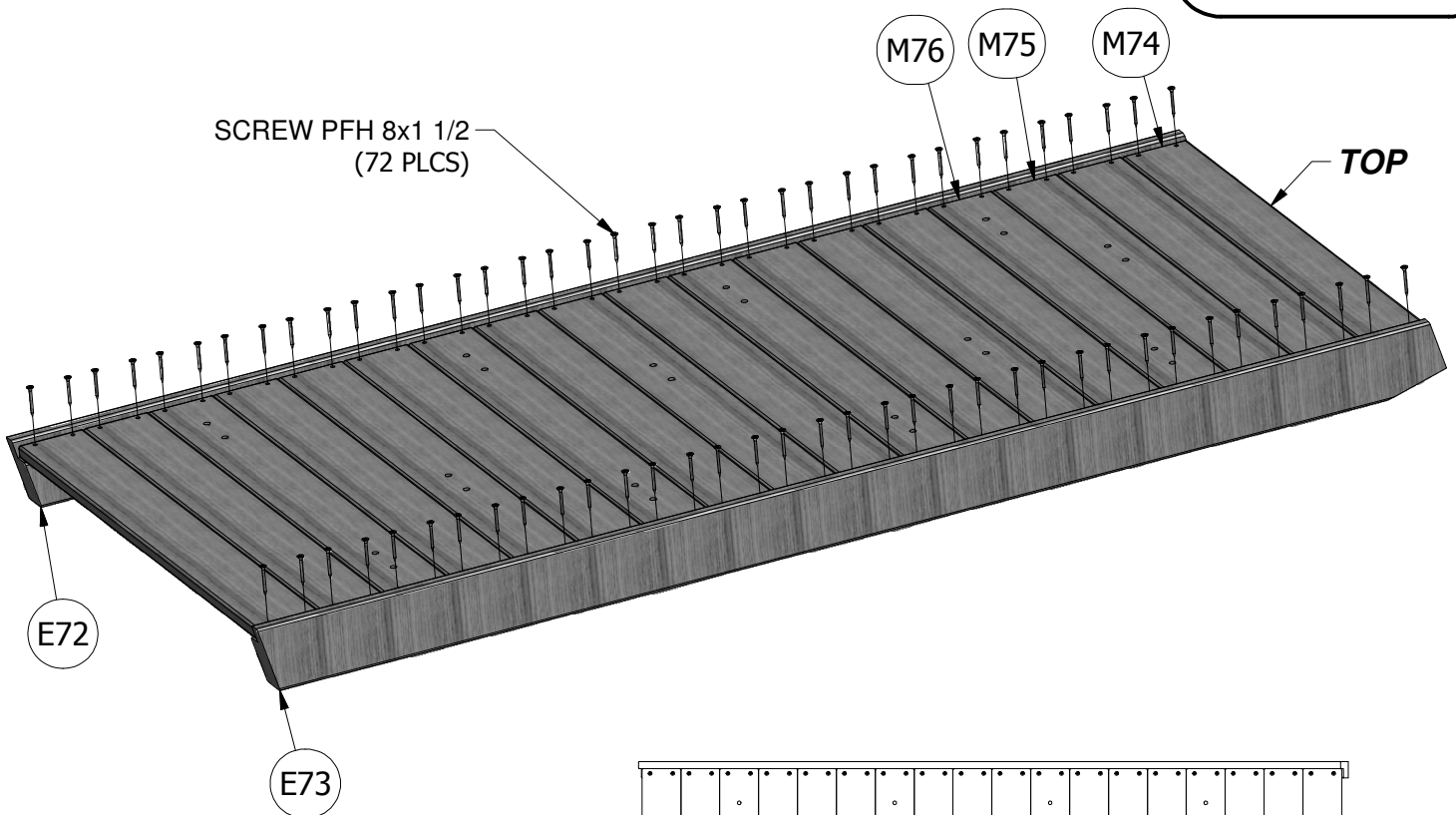
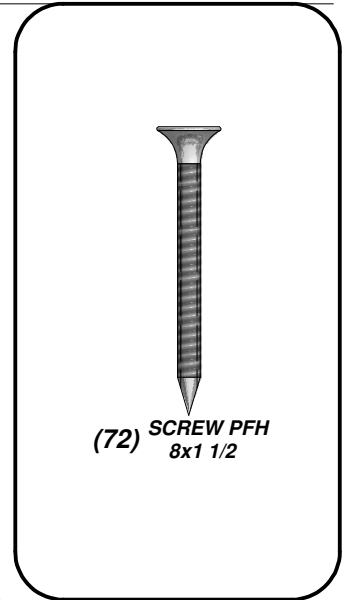
STEP 1

PLACE E72 & E73 RAILS ON THEIR SIDES SO THAT THE GROOVES FACE EACH OTHER.

NOTE ORIENTATION OF M74, M75, & M76 BOARDS IN DIAGRAM, PLACING THEM AS SHOWN ON E72 & E73 RAILS.

USING BOARDS AS A TEMPLATE, PRE-DRILL EDGES OF RAILS USING 1/8" DRILL BIT. FAILURE TO PRE-DRILL MAY RESULT IN BOARD SPLITTING.

ATTACH TOP M74 BOARD FIRST AND WORK DOWN USING 1 1/2" SCREWS.



BOARD PLACEMENT PATTERN

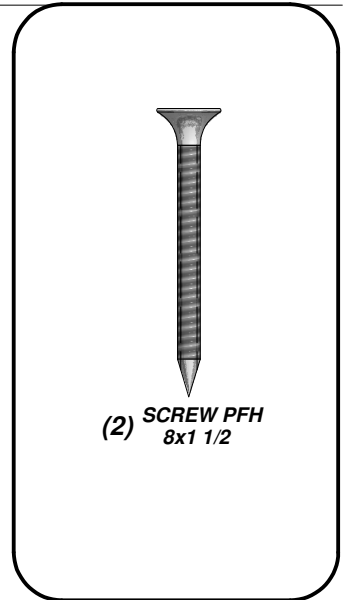


(1) **M108 - TOP BOARD - W103105**
5/8"x3 3/8"x27 7/8" (16x86x707)

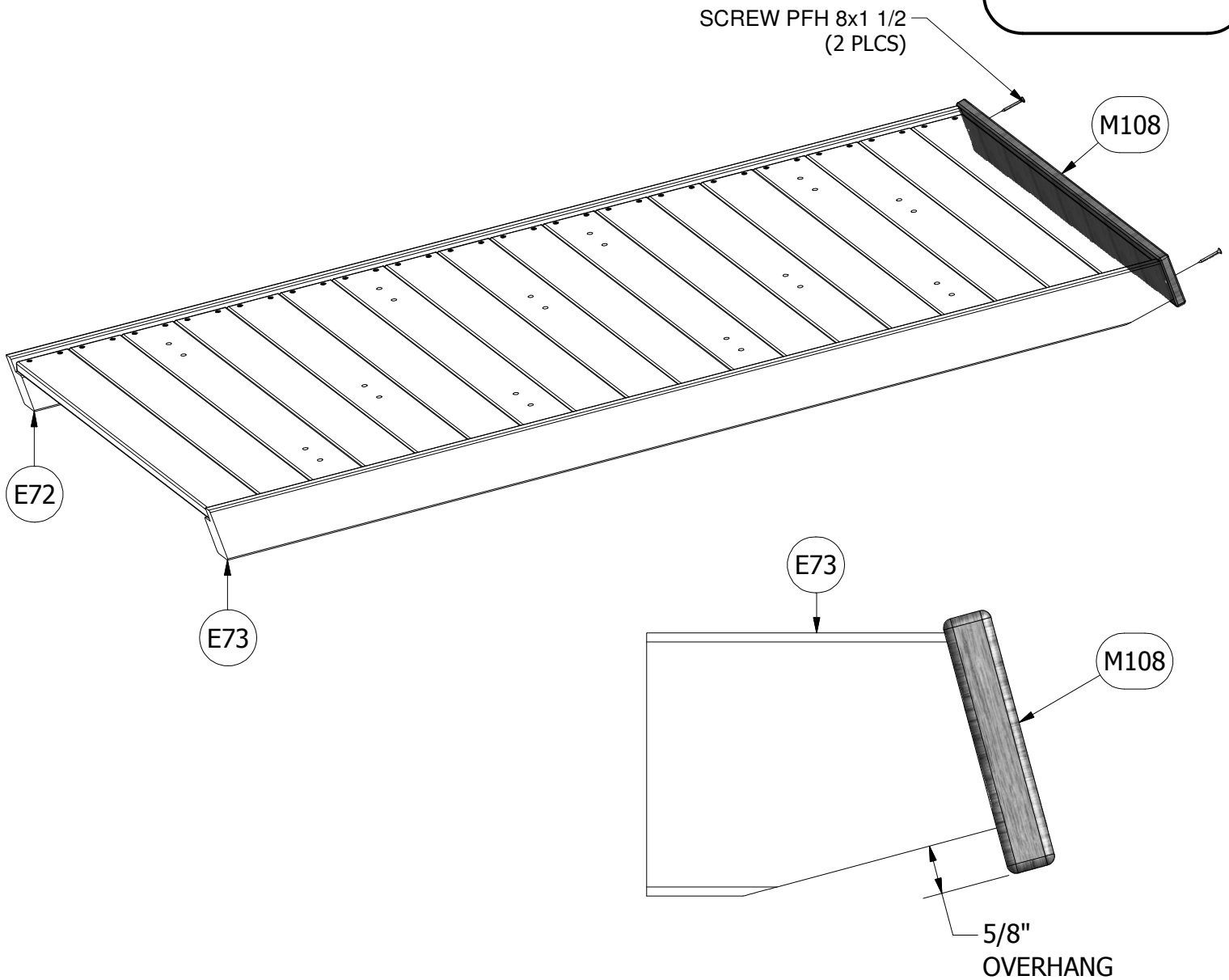
STEP 2

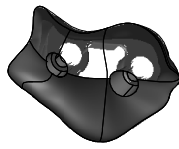
USING M108 AS A GUIDE, PRE-DRILL TOP EDGE OF RAILS WITH 1/8" DRILL BIT. FAILURE TO PRE-DRILL MAY RESULT IN BOARD SPLITTING.

ATTACH M108 ROCK WALL END BOARD TO E72 & E73 RAILS USING 1 1/2" SCREWS.



(2) **SCREW PFH**
8x1 1/2

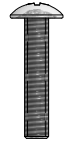
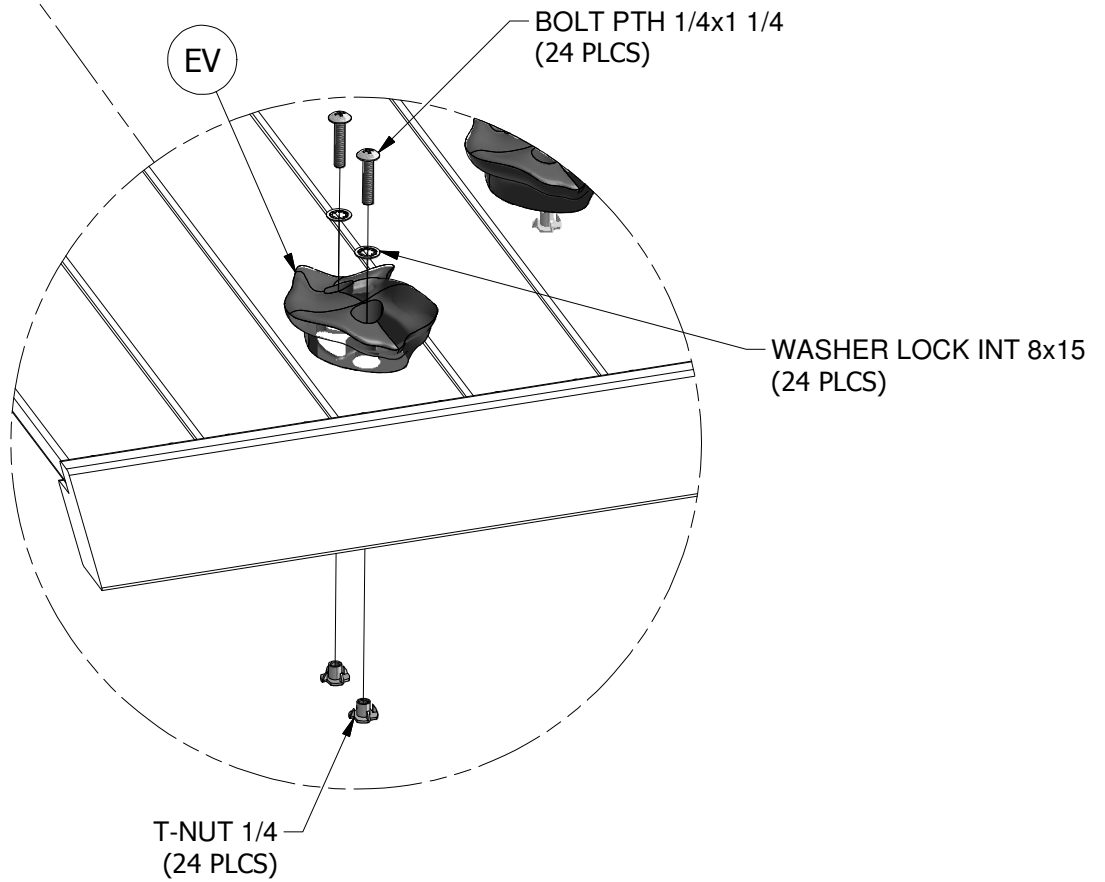
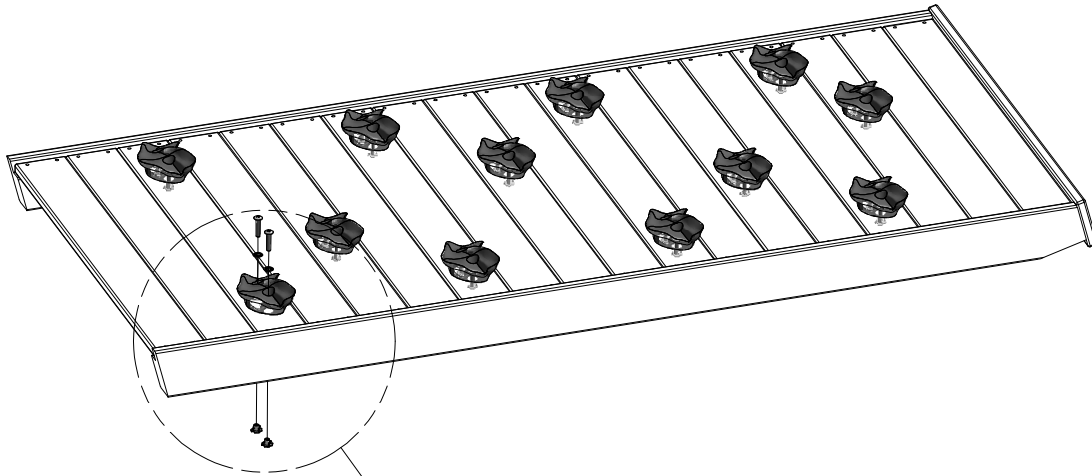




(12) EV - CLIMBING ROCK - GREEN - A100064

STEP 3

ATTACH EV ROCKS TO BOARDS USING 1/4"X1 1/4" BOLTS, LOCK WASHERS, AND 1/4" T-NUTS.



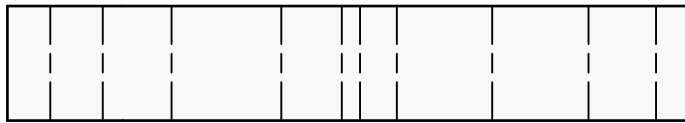
(24) BOLT PTH
1/4x1 1/4



(24) WASHER
LOCK INT
8x15



(24) T-NUT 1/4



(1) DX - SLIDE BED 10' LIGHT GREEN - A100035



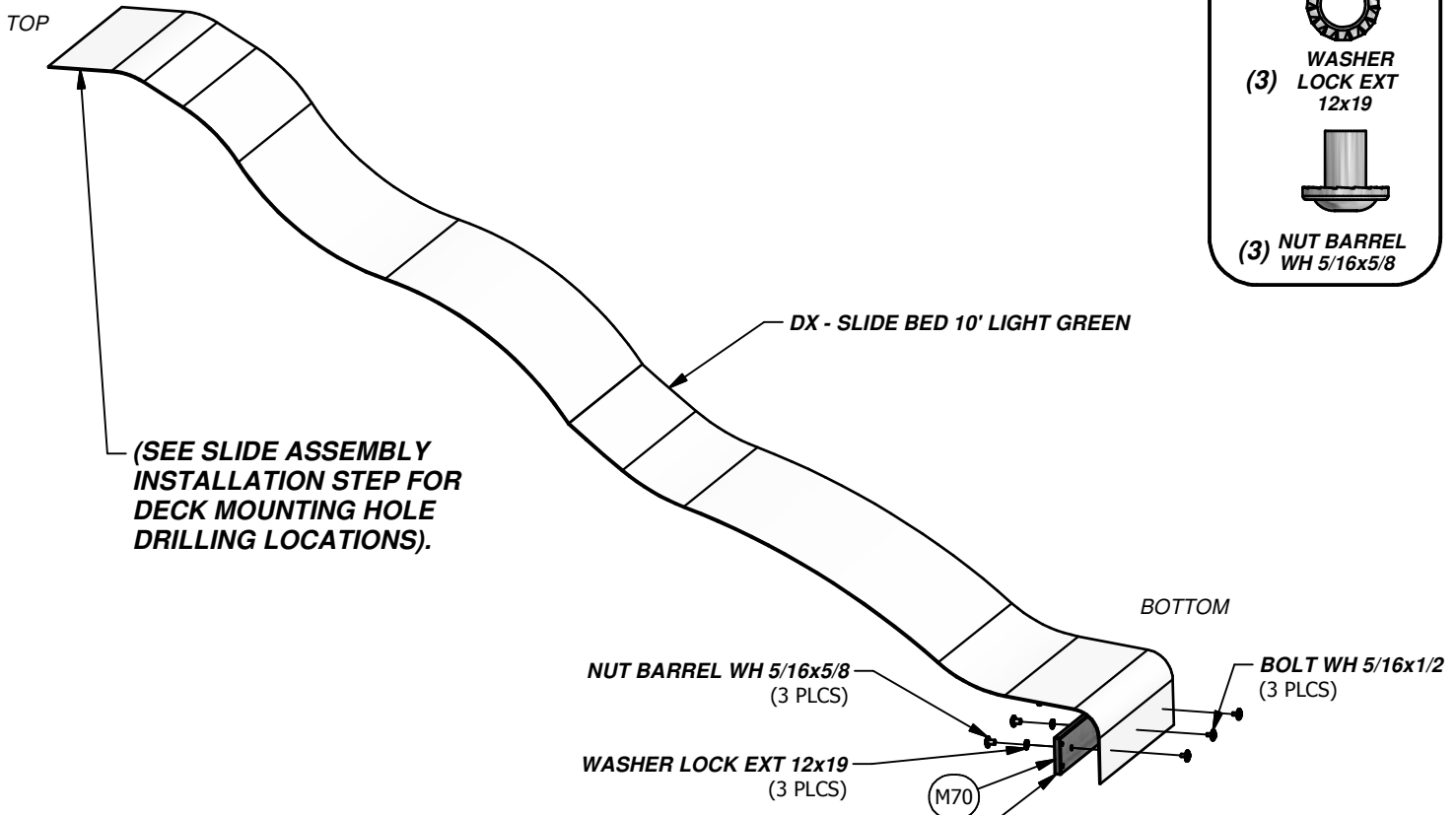
(1) M70 - SLIDE BED SUPPORT - W100935
5/8"x3 3/8"x19 7/8" (16x86x505)

10 FOOT SLIDE ASSEMBLY


PHASE 1

STEP 1


- ATTACH SLIDE BED SUPPORT TO SLIDE USING HARDWARE SHOWN.




(SEE SLIDE ASSEMBLY INSTALLATION STEP FOR DECK MOUNTING HOLE DRILLING LOCATIONS).



(3) BOLT WH 5/16x1/2



(3) WASHER LOCK EXT 12x19



(3) NUT BARREL WH 5/16x5/8



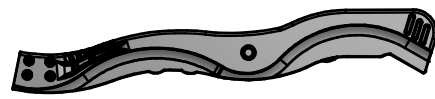
USE M70 SLIDE BED SUPPORT AS A TEMPLATE FOR DRILLING BOTTOM HOLE PATTERN IN SLIDE BED. BE SURE TO PLACE SLIDE BRACE UP 1/2" FROM BOTTOM EDGE OF SLIDE BED BEFORE MARKING HOLE PATTERN. USE A 3/8" DRILL BIT TO DRILL HOLE PATTERN.

TIP: PREBENDING THE ENDS WILL EASE ASSEMBLY.

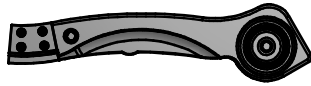
(1) DS - SLIDE RAIL 10' BOTTOM RIGHT GREEN - A100031



(1) TR - SLIDE RAIL 10' TOP RIGHT GREEN - A100033



(1) DR - SLIDE RAIL 10' BOTTOM LEFT GREEN - A100030



(1) DT - SLIDE RAIL 10' TOP LEFT GREEN - A100032



10 FOOT SLIDE ASSEMBLY

PHASE 2

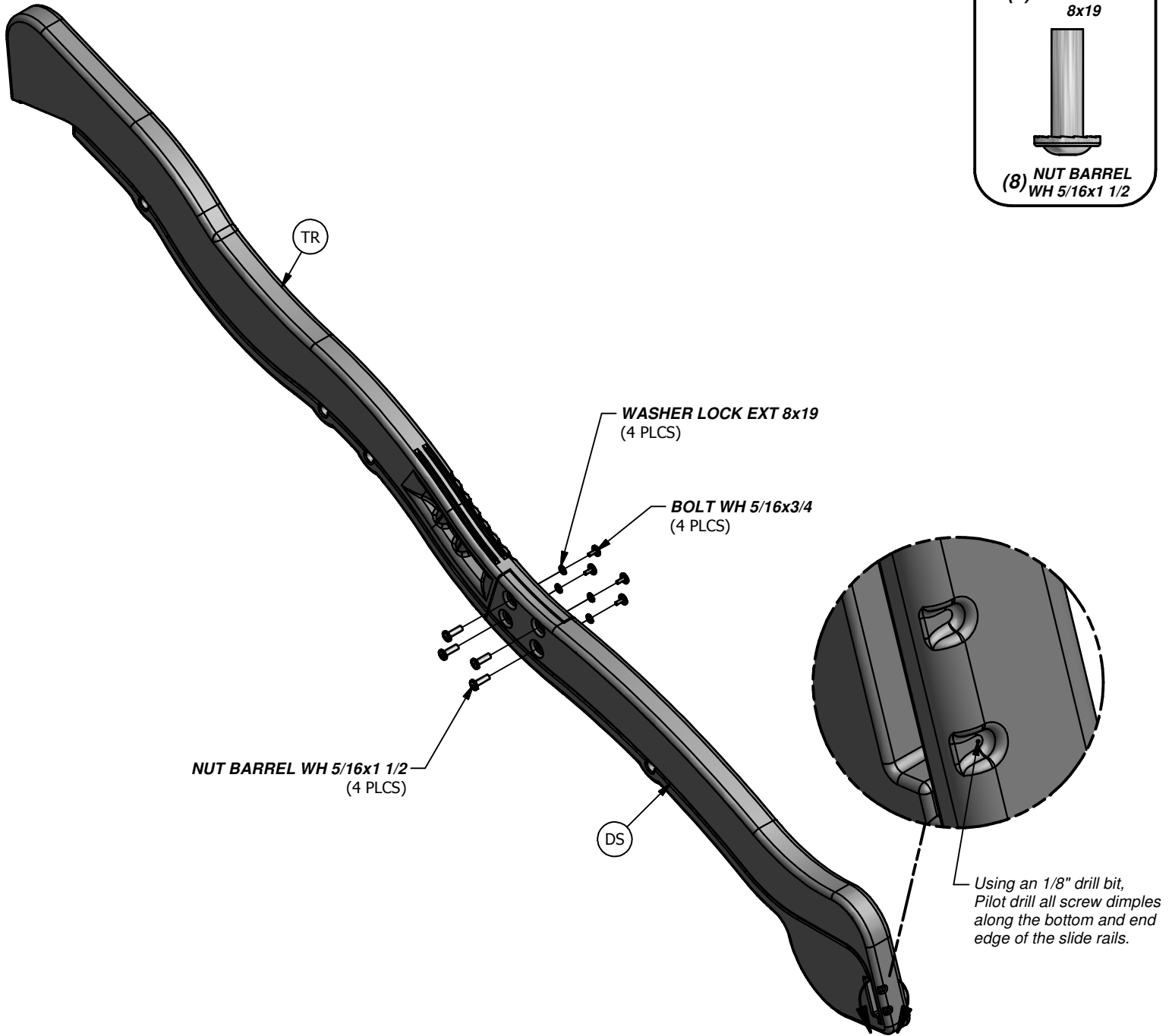
STEP 2

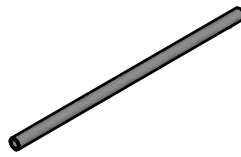
- ASSEMBLE WITH HARDWARE AS SHOWN.
- REPEAT ON OTHER SIDE, MAKING A LEFT AND RIGHT ASSEMBLY.

(8) BOLT WH 5/16x3/4

(8) WASHER LOCK EXT 8x19

(8) NUT BARREL WH 5/16x1 1/2





(4) DW - SLIDE SUPPORT TUBE 21.34x505 - A100034
21.34 OD x 2.77 W x 505

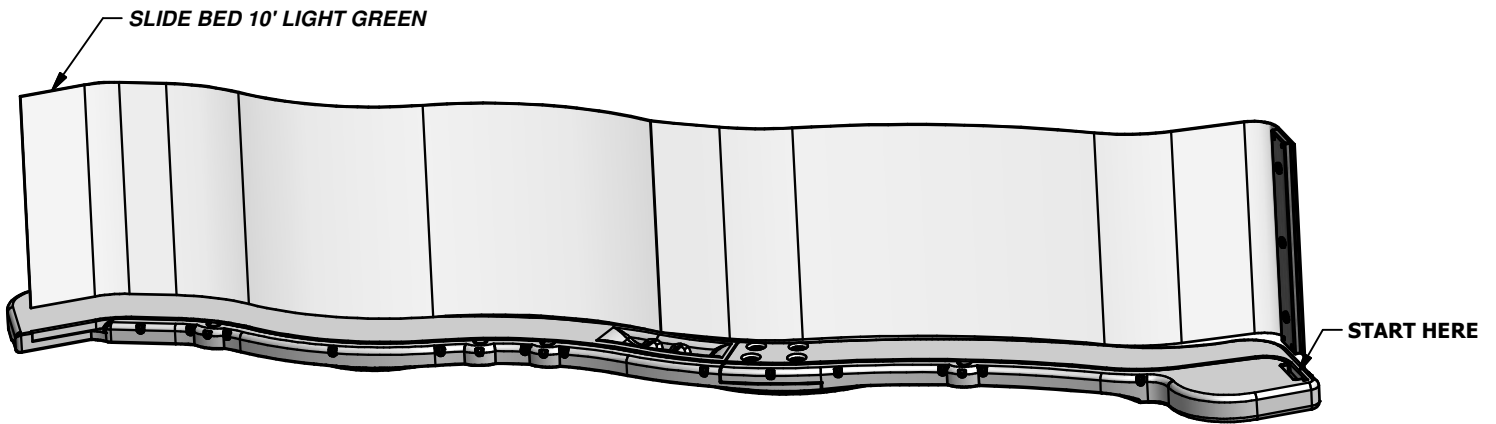
10 FOOT SLIDE ASSEMBLY

PHASE 3

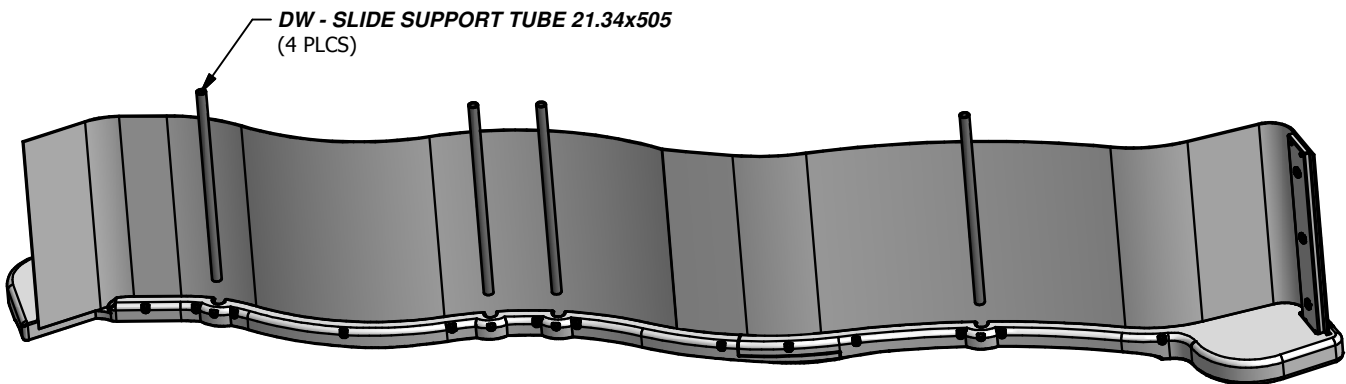
STEP 3

• PLACE (1) SLIDE RAIL ASSEMBLY ON A FLAT SURFACE AND BEGIN INSERTING SLIDE BED AT THE BOTTOM OF THE SLIDE RAIL (FIG. 1). HAVE A HELPER BEND THE SLIDE BED TOWARDS THE TOP OF THE SLIDE AND INSERT THE BED INTO THE SLIDE CAVITY. MAKE SURE SLIDE BED IS COMPLETELY DOWN IN THE SLIDE CAVITY.

• INSTALL THE (4) SLIDE SUPPORT TUBES INTO THEIR RESPECTIVE PILOT LOCATIONS (FIG. 2).



(FIG. 1)



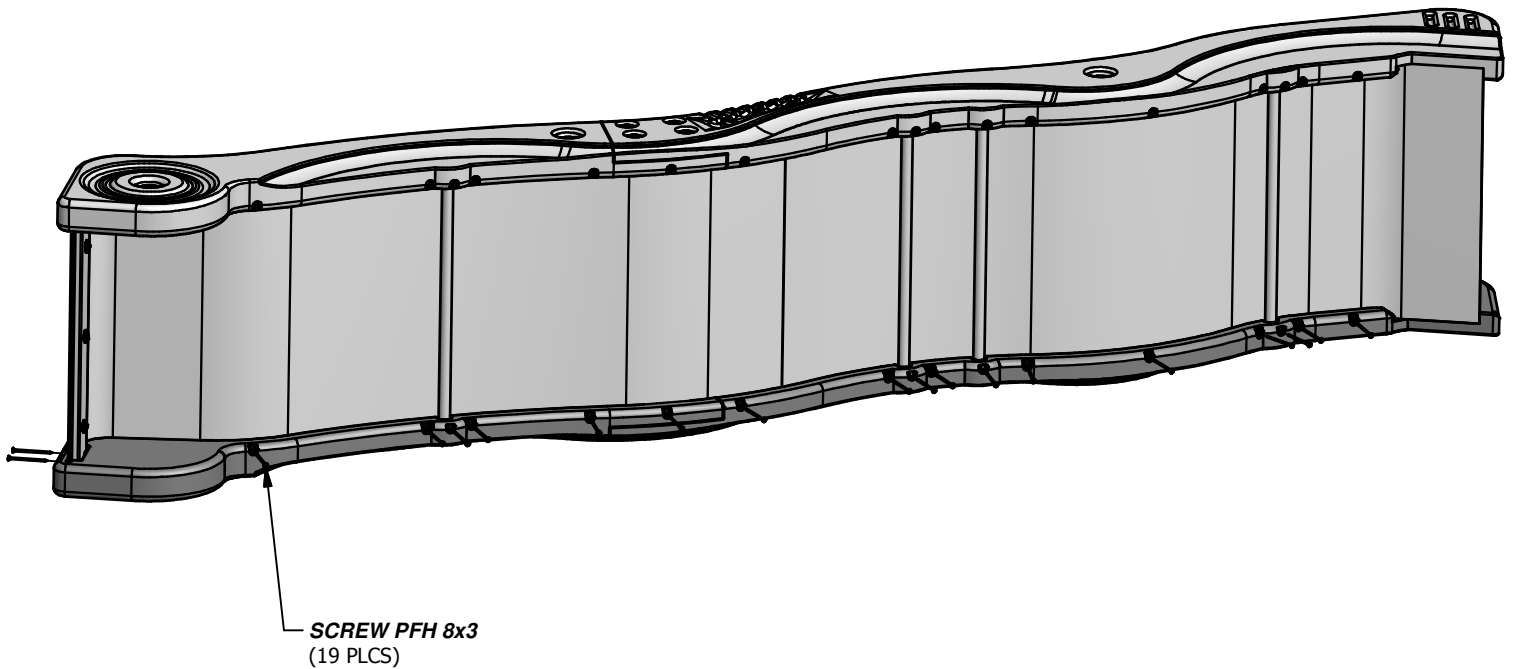
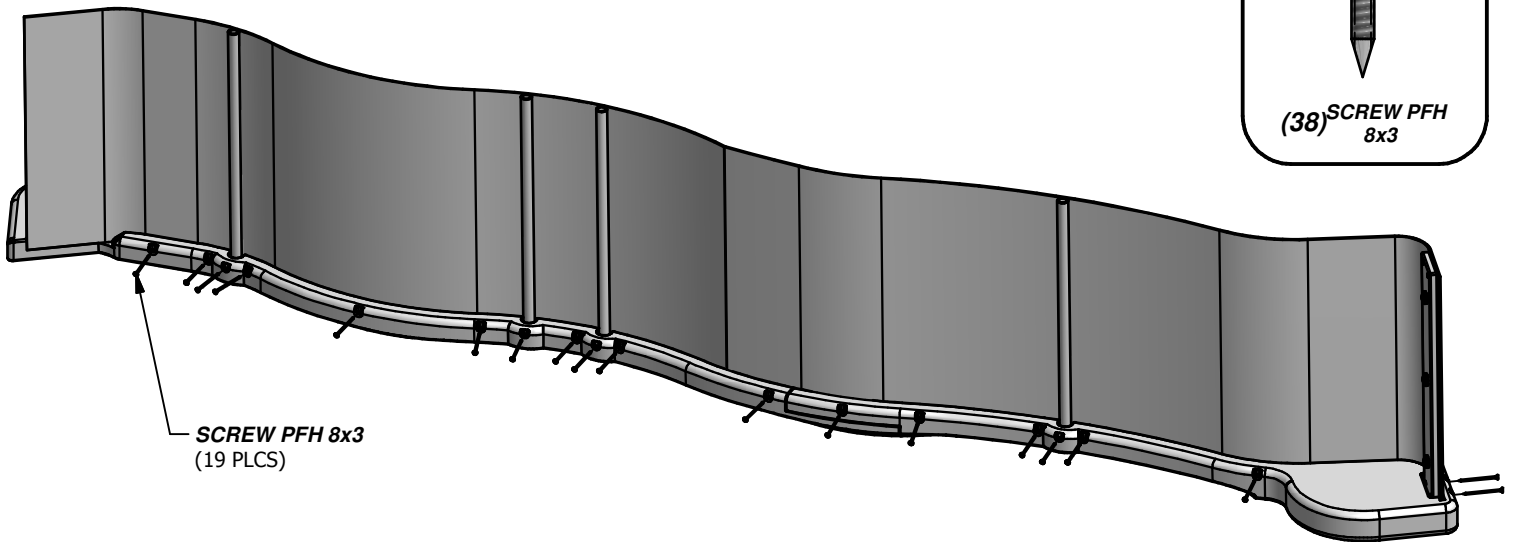
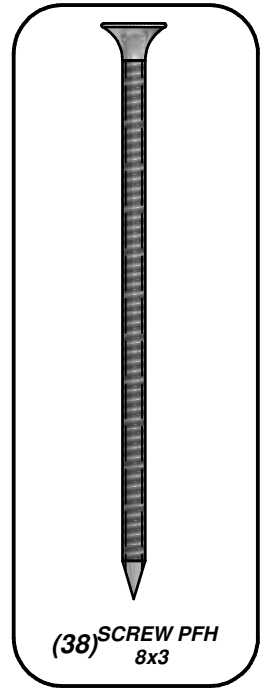
(FIG. 2)

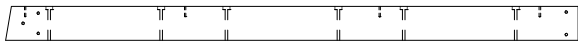
10 FOOT SLIDE ASSEMBLY

PHASE 4

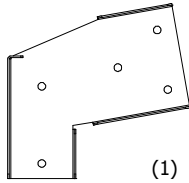
STEP 4

- ONCE THE SLIDE BED, SUPPORT TUBES, AND SUPPORT BOARD ARE COMPLETELY IN THE CAVITY AND SUPPORT POCKET, SECURE USING 3" SCREWS AT EACH OF THE PILOT HOLE LOCATIONS AS SHOWN.
- REPEAT PROCESS FOR OPPOSITE SLIDE RAIL.

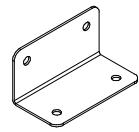
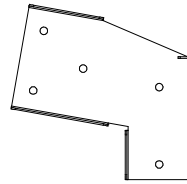




(1) **SB74 - SWING BEAM EXTENDED - W102419**
 2"x5 1/4"x89 1/2" (50x134x2274)



(1) **TC - SWING BEAM EXTENSION BRACKET-RIGHT - A100326**



(2) **GD - L BRACKET 66x66x127 - A100140**

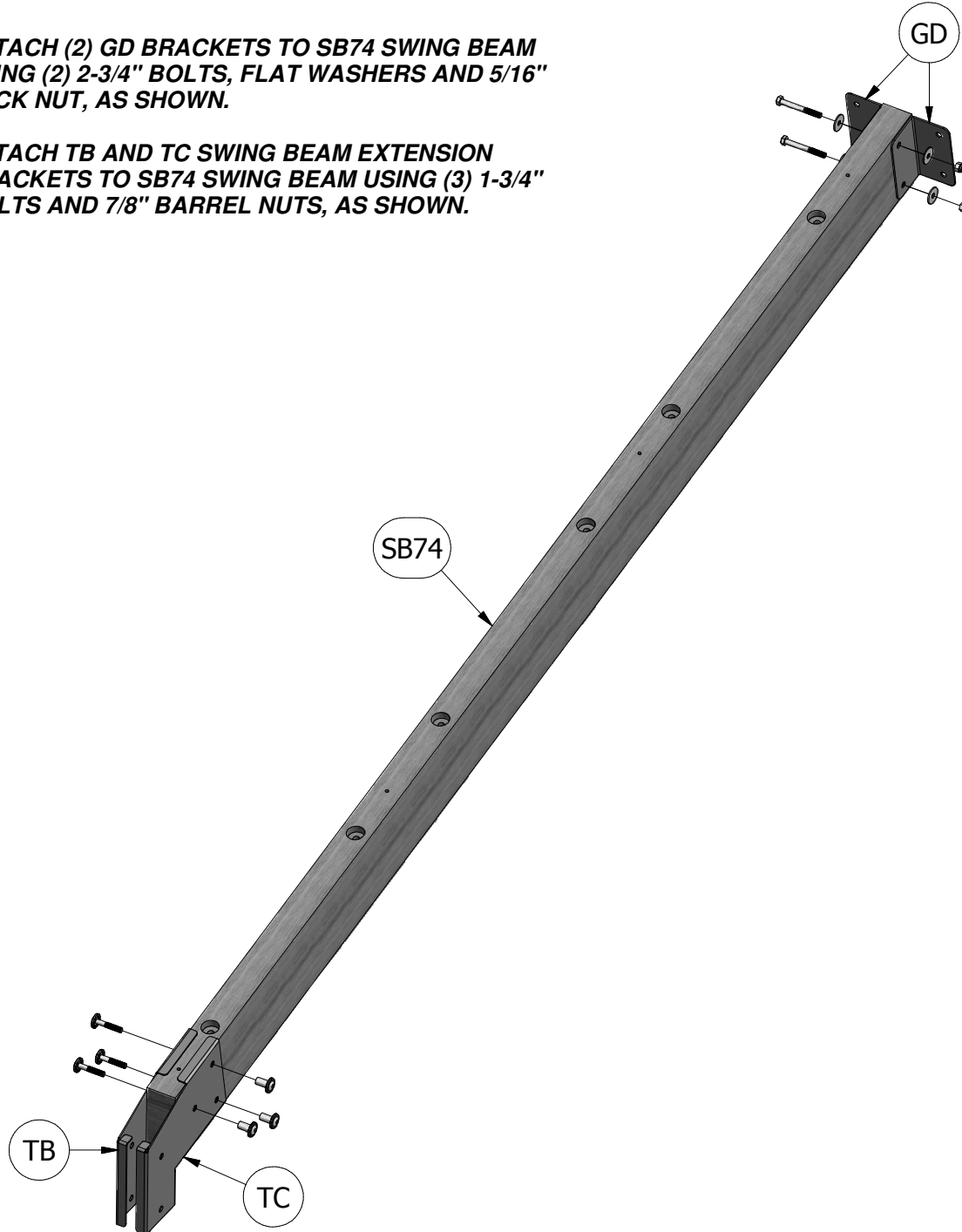
(1) **TB - SWING BEAM EXTENSION BRACKET-LEFT - A100325**

4 FT GREEN EXTENDED SWING BEAM WITH GLIDER

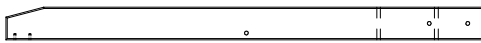
STEP 1

ATTACH (2) GD BRACKETS TO SB74 SWING BEAM USING (2) 2-3/4" BOLTS, FLAT WASHERS AND 5/16" LOCK NUT, AS SHOWN.

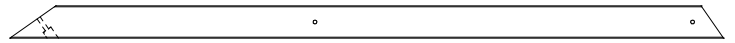
ATTACH TB AND TC SWING BEAM EXTENSION BRACKETS TO SB74 SWING BEAM USING (3) 1-3/4" BOLTS AND 7/8" BARREL NUTS, AS SHOWN.



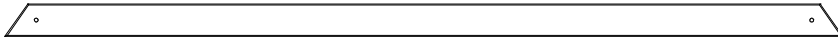
(3) BOLT WH 5/16x1-3/4	(2) BOLT HEX 5/16x2-3/4
(3) NUT BARREL WH 5/16x7/8	(4) WASHER FLAT 8x27
	(2) NUT LOCK 5/16



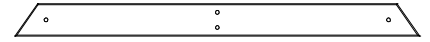
(1) **W71 - SWING BEAM SUPPORT - W102420**
2"x3 3/8"x49 5/8" (50x86x1260)



(2) **E77 - ANGLE BRACE - W100991**
1 3/8"x3 3/8"x74 3/8" (36x86x1890)



(1) **H80 - GROUND BOARD - W100990**
1"x3 3/8"x87 3/8" (24x86x2218)



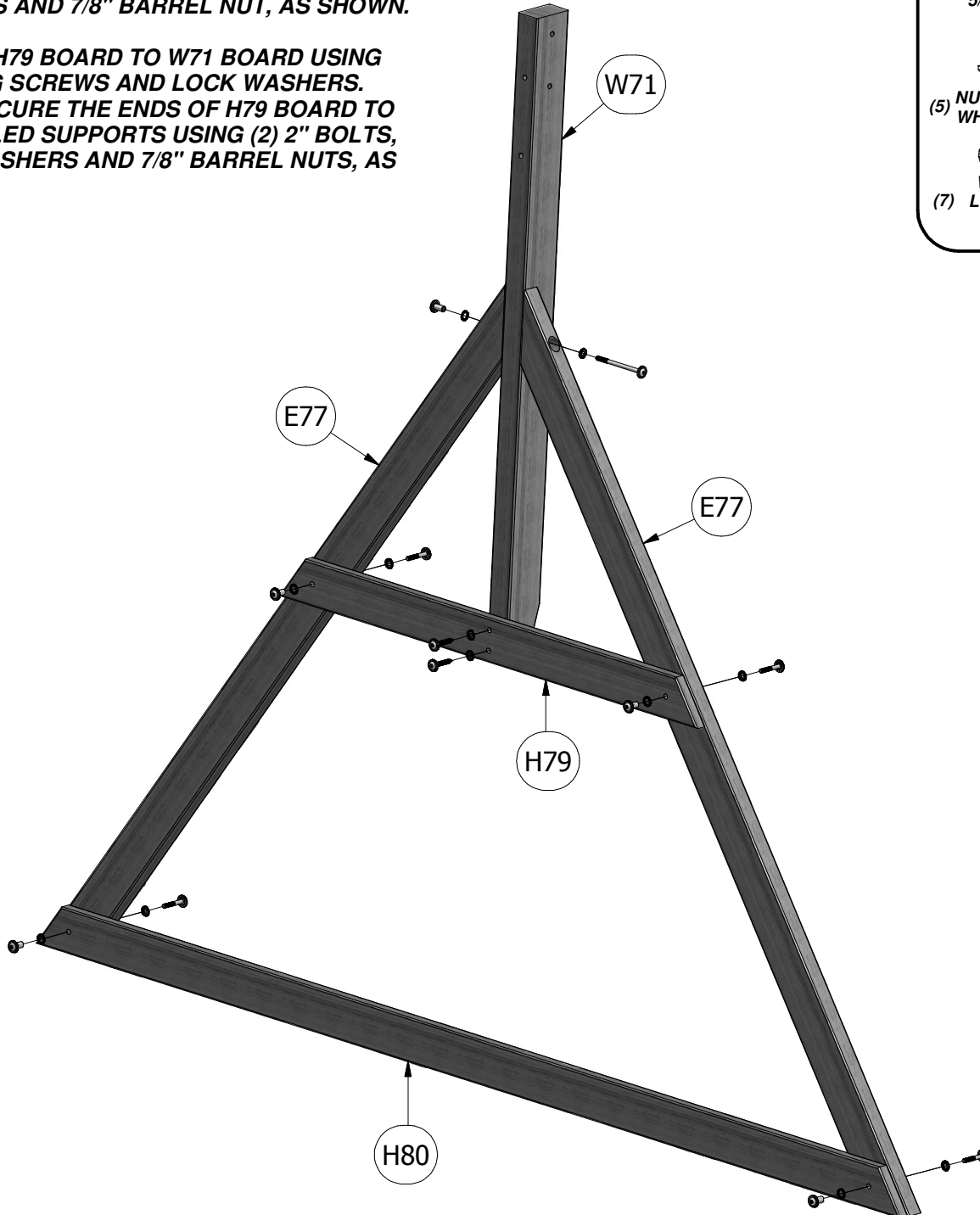
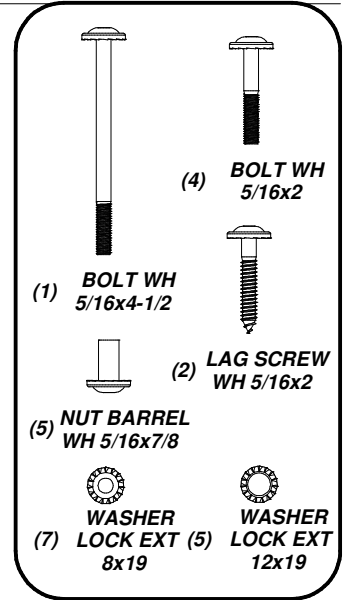
(1) **H79 - END SUPPORT - W100992**
1"x3 1/2"x42" (24x86x1072)

STEP 2

ATTACH H80 GROUND BOARD TO (2) E77 ANGLED SUPPORT BOARDS USING (2) 2" BOLTS, LOCK WASHERS AND 7/8" BARREL NUTS, AS SHOWN.

ATTACH (2) E77 ANGLED SUPPORT BOARDS TO W71 SUPPORT USING 4- 1/2" BOLT, LOCK WASHERS AND 7/8" BARREL NUT, AS SHOWN.

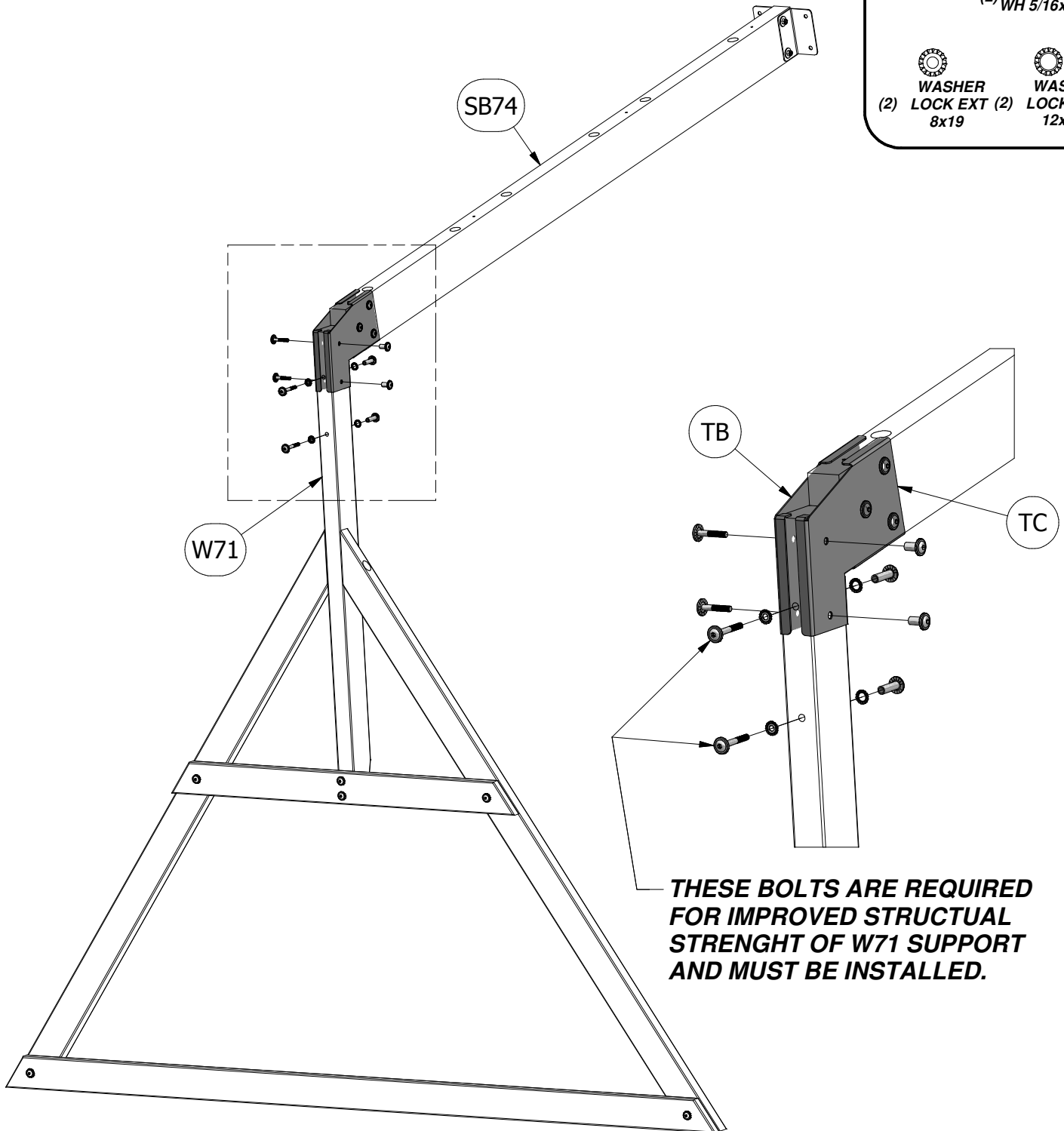
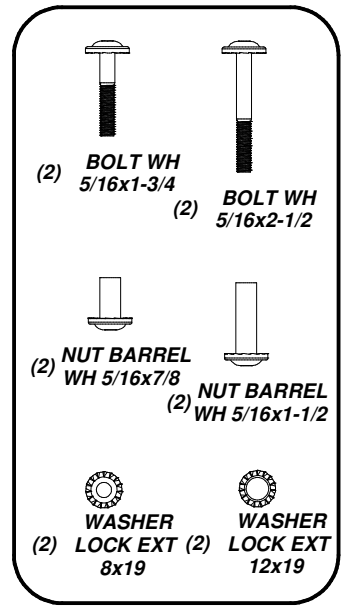
ATTACH H79 BOARD TO W71 BOARD USING (2) 2" LAG SCREWS AND LOCK WASHERS. NEXT, SECURE THE ENDS OF H79 BOARD TO E77 ANGLED SUPPORTS USING (2) 2" BOLTS, LOCK WASHERS AND 7/8" BARREL NUTS, AS SHOWN.

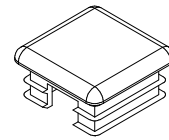
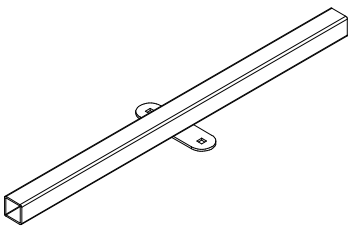


STEP 3

INSERT W71 BOARD INTO TB AND TC BRACKET OPENING AND SECURE USING (2) 1-3/4" BOLTS AND 7/8" BARREL NUTS, AS SHOWN.

INSERT (2) 2-1/2" BOLTS, LOCK WASHERS AND 1-1/2" BARREL NUTS INTO THE EDGE OF W71 BOARD, AS SHOWN.





(4) EX - GLIDER BUSHING BYD GREEN - A100066

(4) EY - TUBING CAP GLIDER SUPPORT - A100067

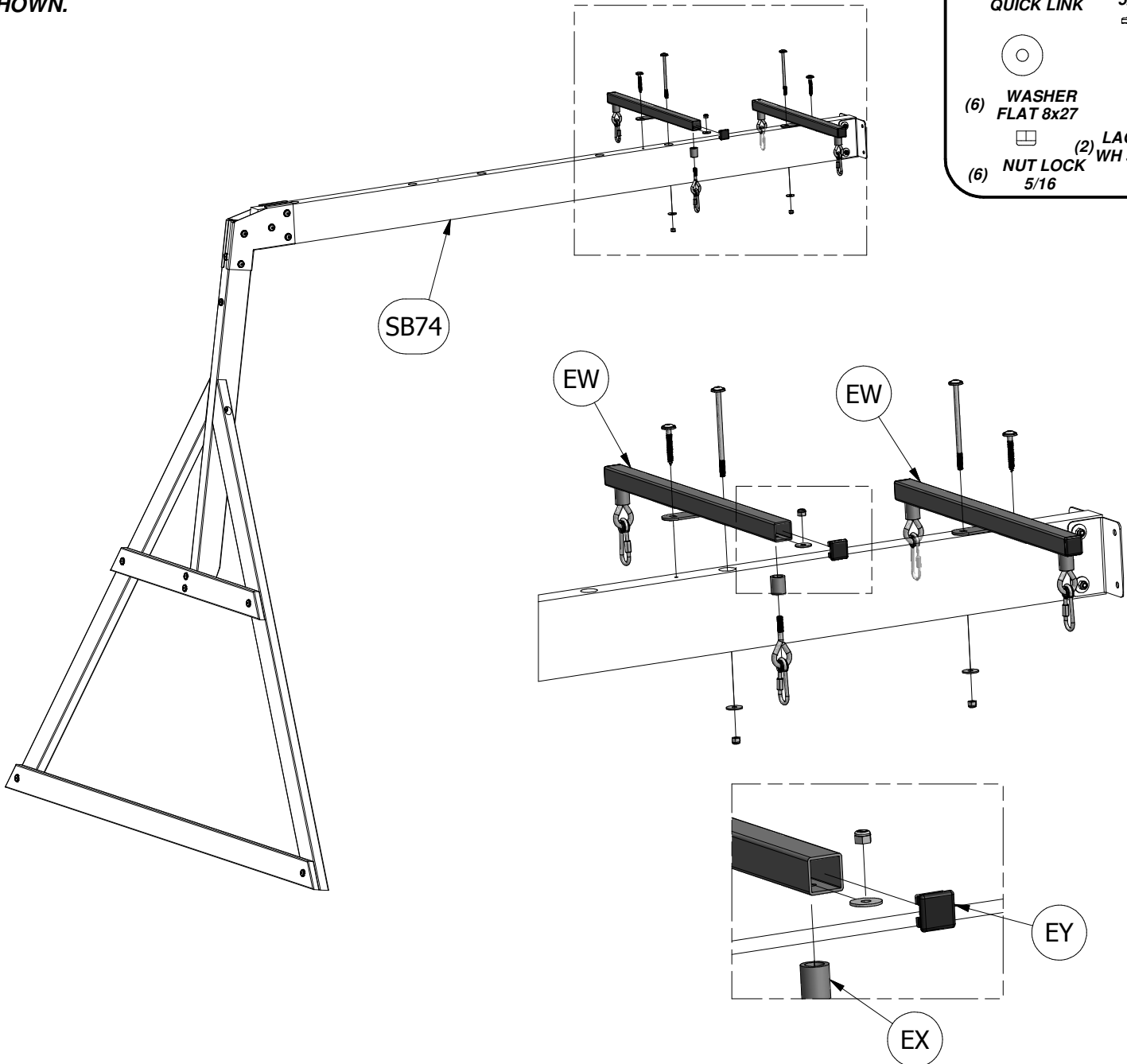
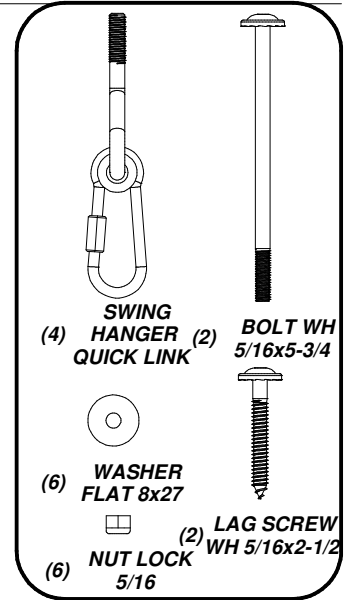
(2) EW - GLIDER SUPPORT BYD GREEN - A100065

STEP 4

ATTACH (2) EW GLIDER SUPPORT BARS TO SB74 SWING BEAM USING (2) 5-3/4" BOLTS, FLAT WASHERS AND 5/16" LOCK NUTS AND (2) 2-1/2" LAG SCREWS, AS SHOWN.

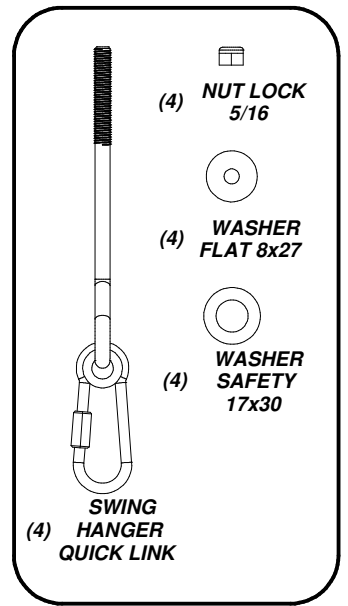
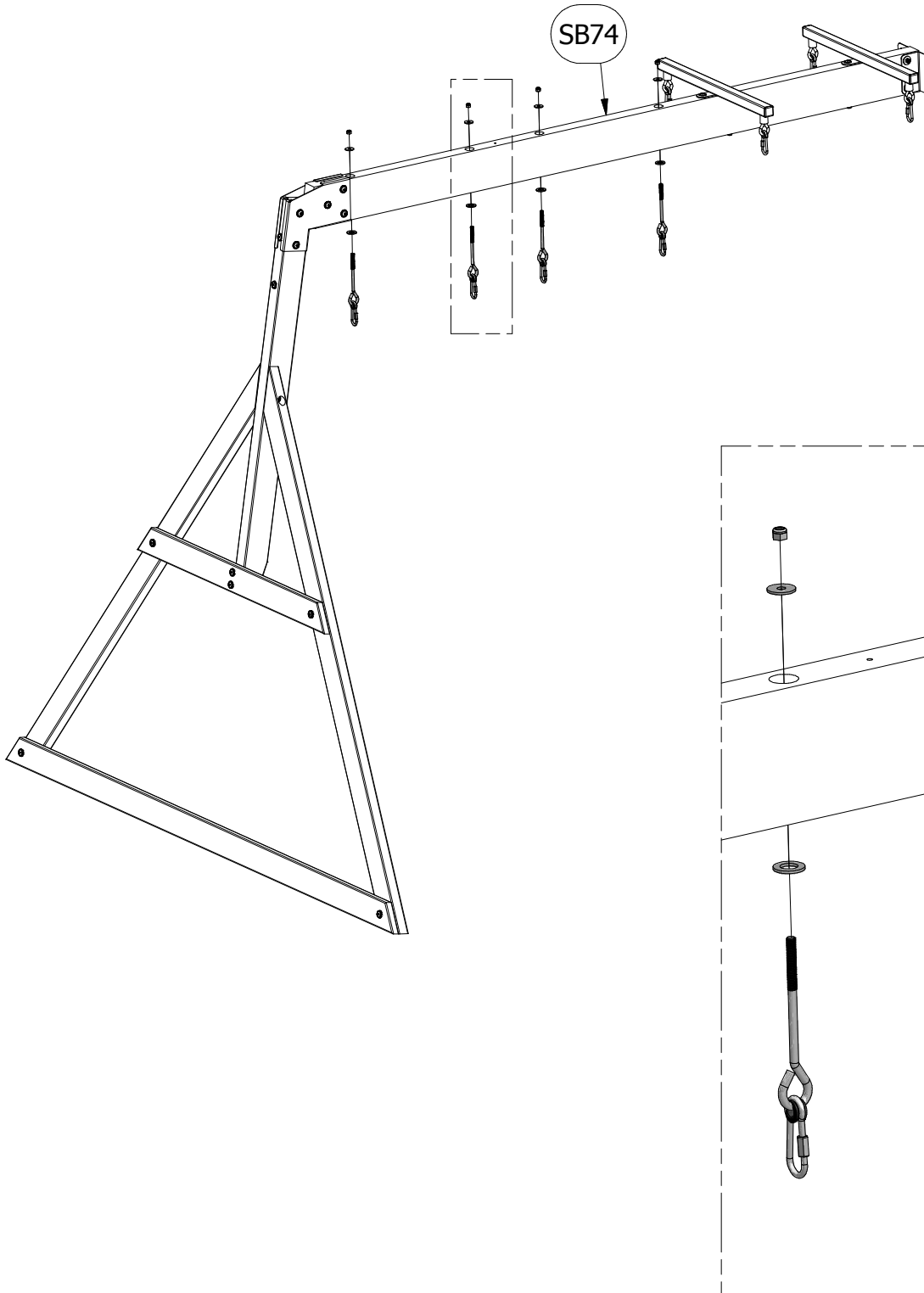
INSERT (4) SWING HANGER QUICK LINKS INTO (4) EX BUSHINGS AND THEN ATTACH SWING HANGER QUICK LINKS TO EW GLIDER SUPPORTS USING (4) FLAT WASHERS AND 5/16" LOCK NUTS, AS SHOWN.

INSERT (4) EY GLIDER SUPPORT CAPS INTO THE ENDS OF EW GLIDER SUPPORTS, AS SHOWN.



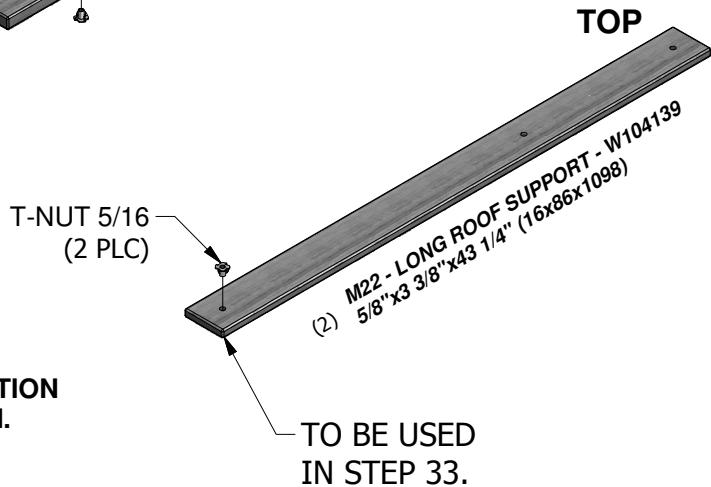
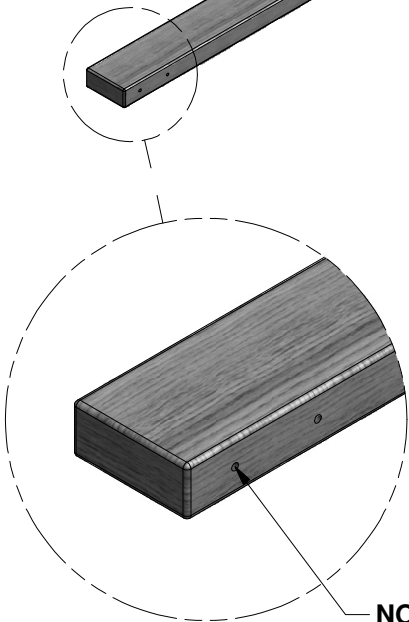
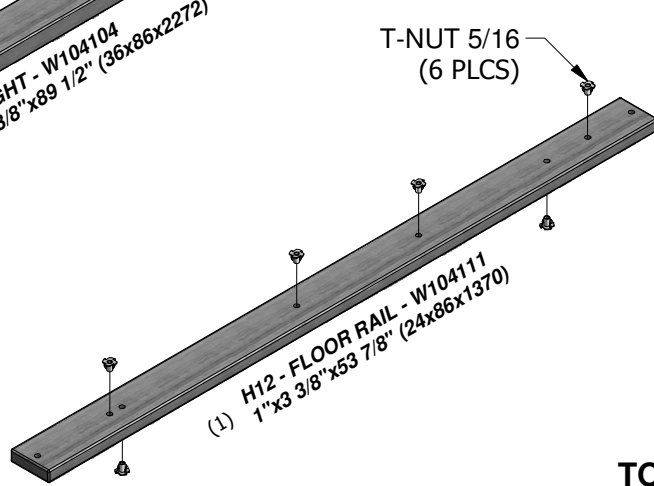
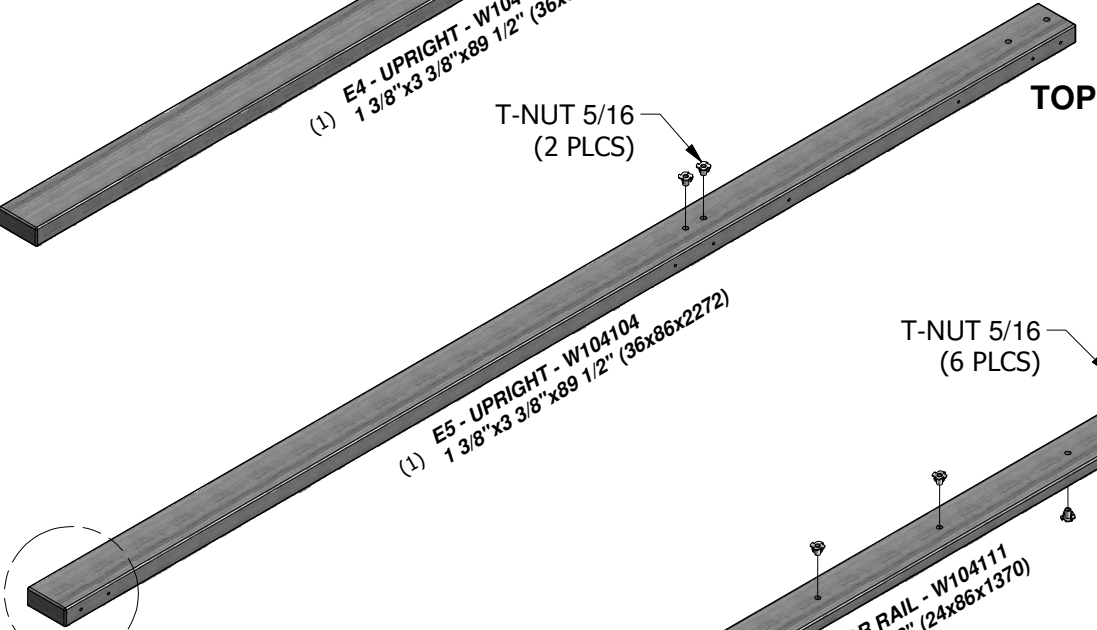
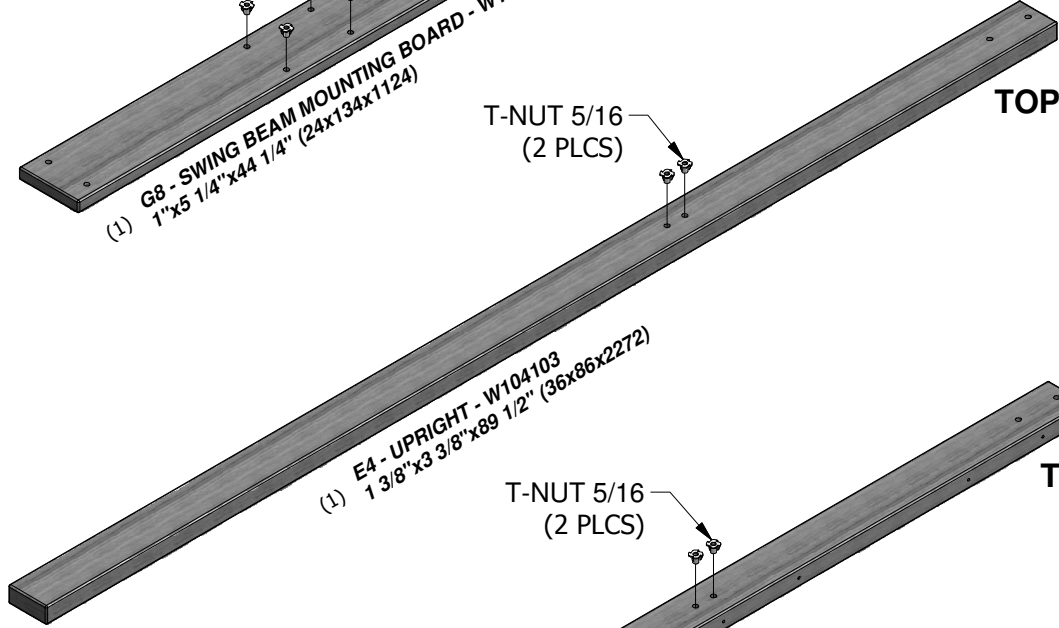
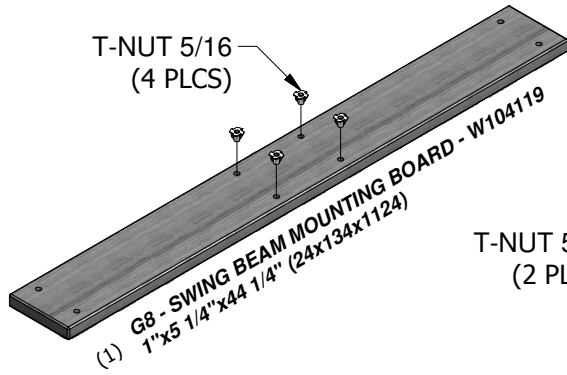
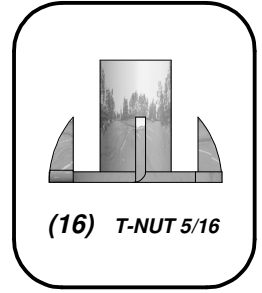
STEP 5

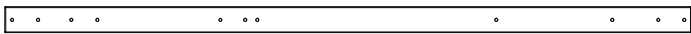
INSERT (4) SWING HANGER QUICK LINK INTO SB74 SWING BEAM USING (4) SAFETY WASHERS, FLAT WASHERS AND 5/16" LOCK NUTS, AS SHOWN.



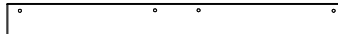
STEP 1

LAY PARTS FLAT ON GROUND AND INSERT T-NUTS USING A HAMMER.

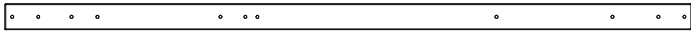




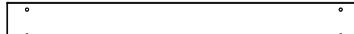
(1) **E2 - UPRIGHT - W104101**
1 3/8"x3 3/8"x89 1/2" (36x86x2272)



(1) **G8 - SWING BEAM MOUNTING BOARD - W104119**
1"x5 1/4"x44 1/4" (24x134x1124)



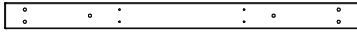
(1) **E3 - UPRIGHT - W104102**
1 3/8"x3 3/8"x89 1/2" (36x86x2272)



(1) **G11 - GROUND BOARD - W104107**
1"x5 1/4"x46 1/8" (24x134x1172)



(2) **M25 - WALL RAIL - W104162**
5/8"x3 3/8"x44 1/4" (16x86x1124)

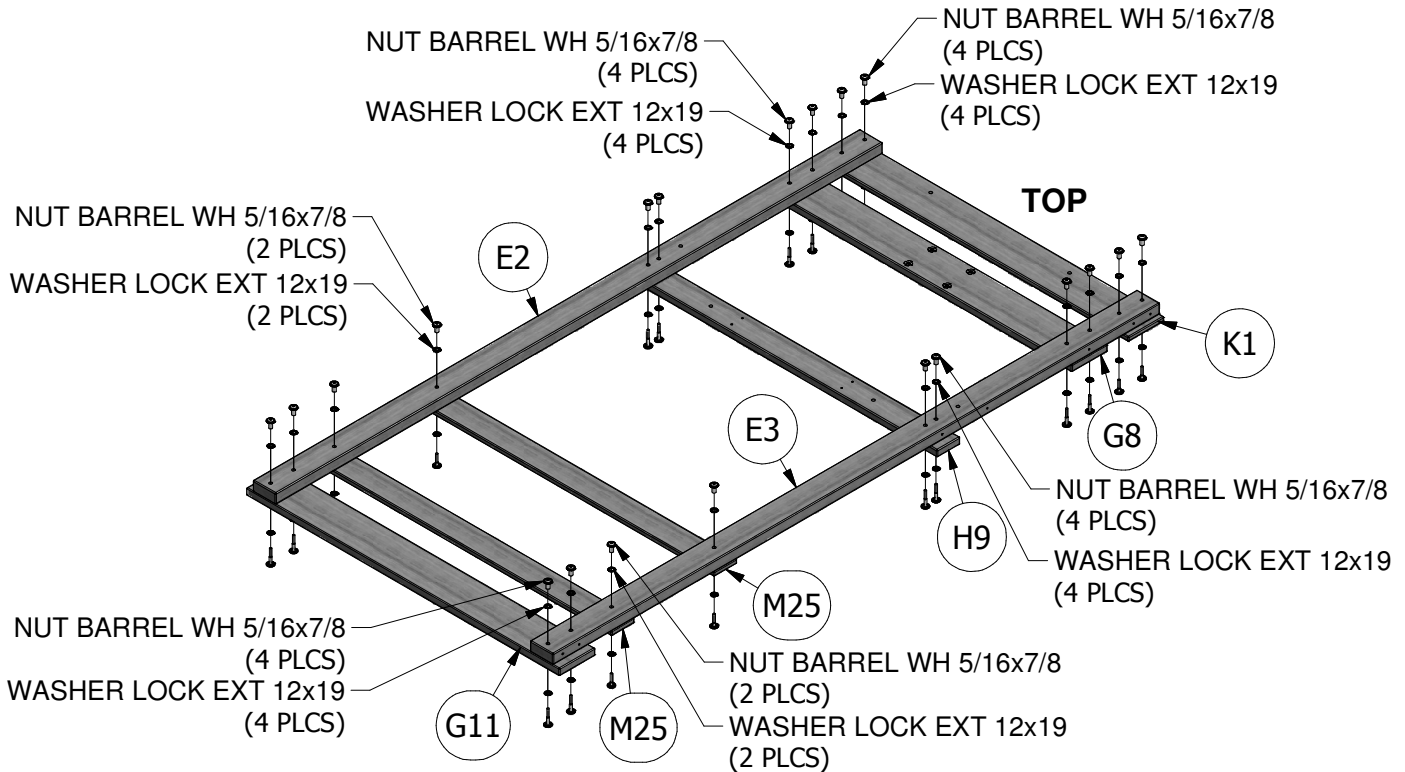
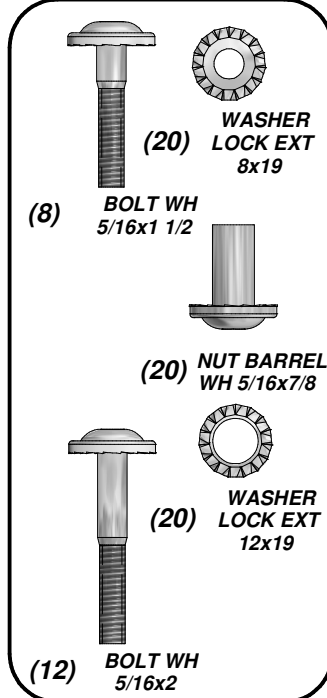
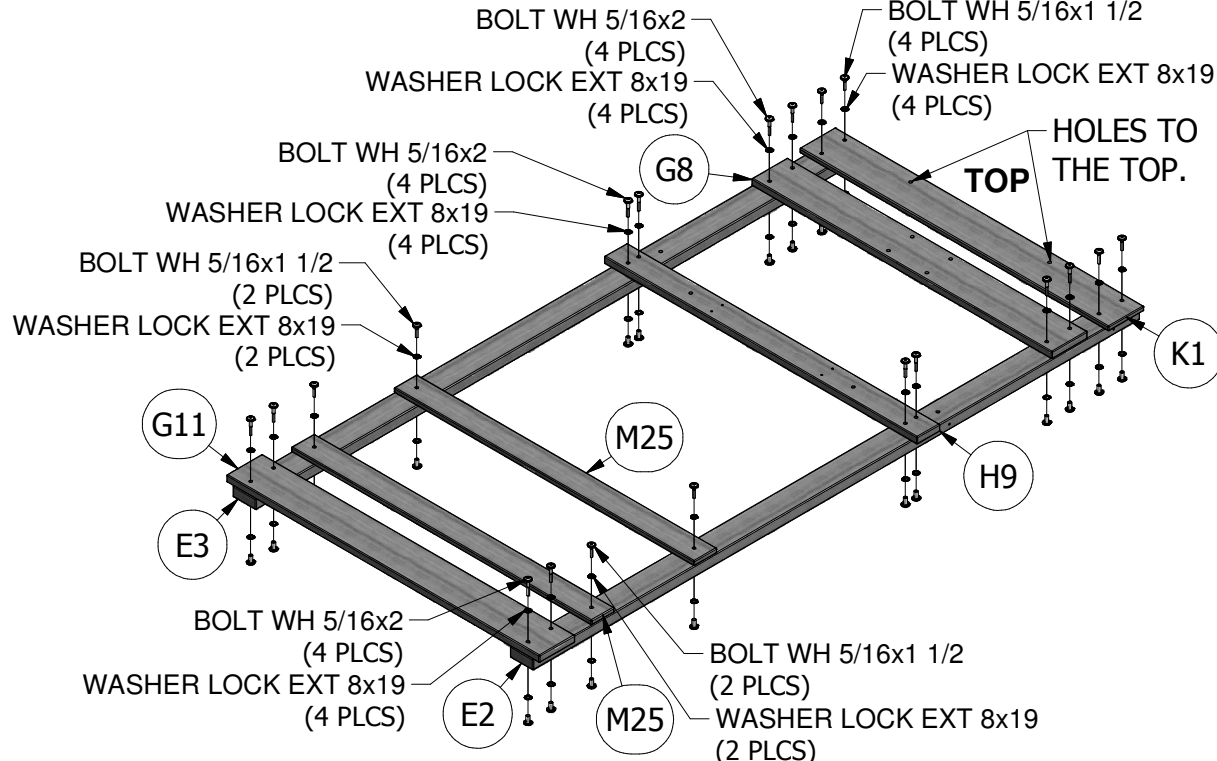


(1) **H9 - FLOOR RAIL - W104112**
1"x3 3/8"x46 1/8" (24x86x1172)



(1) **K1 - UPPER WALL RAIL - W104116**
5/8"x5 1/4"x45 1/2" (16x134x1156)

STEP 2



INSIDE VIEW

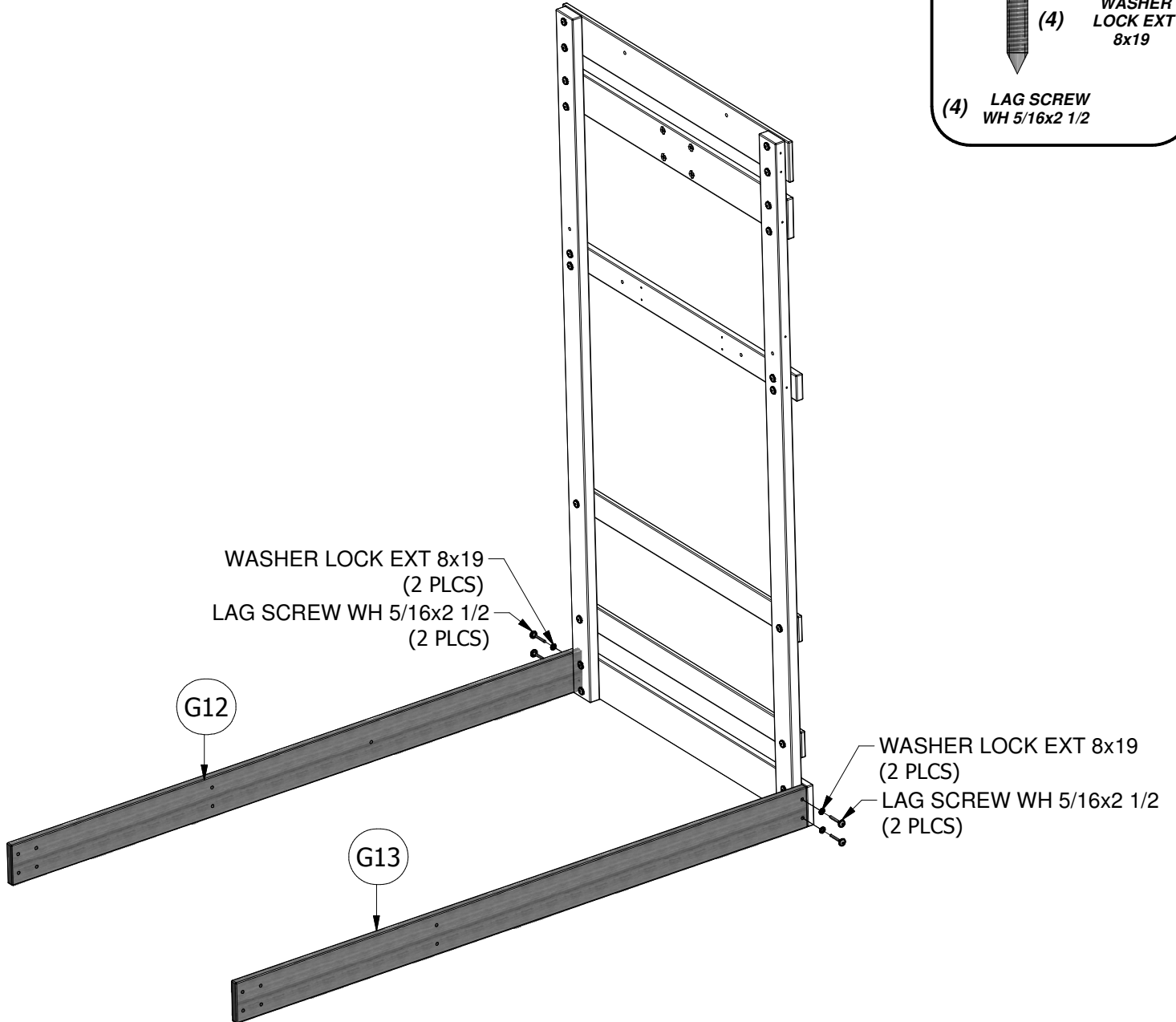
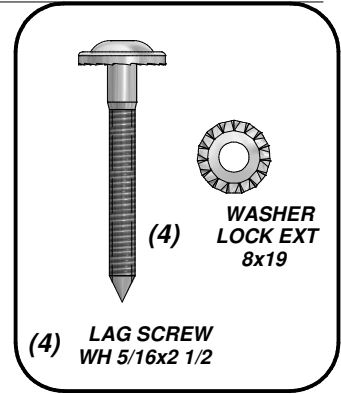


(1) **G12 - GROUND BOARD - W104105**
1"x5 1/4"x82" (24x134x2084)



(1) **G13 - GROUND BOARD - W104106**
1"x5 1/4"x82" (24x134x2084)

STEP 3



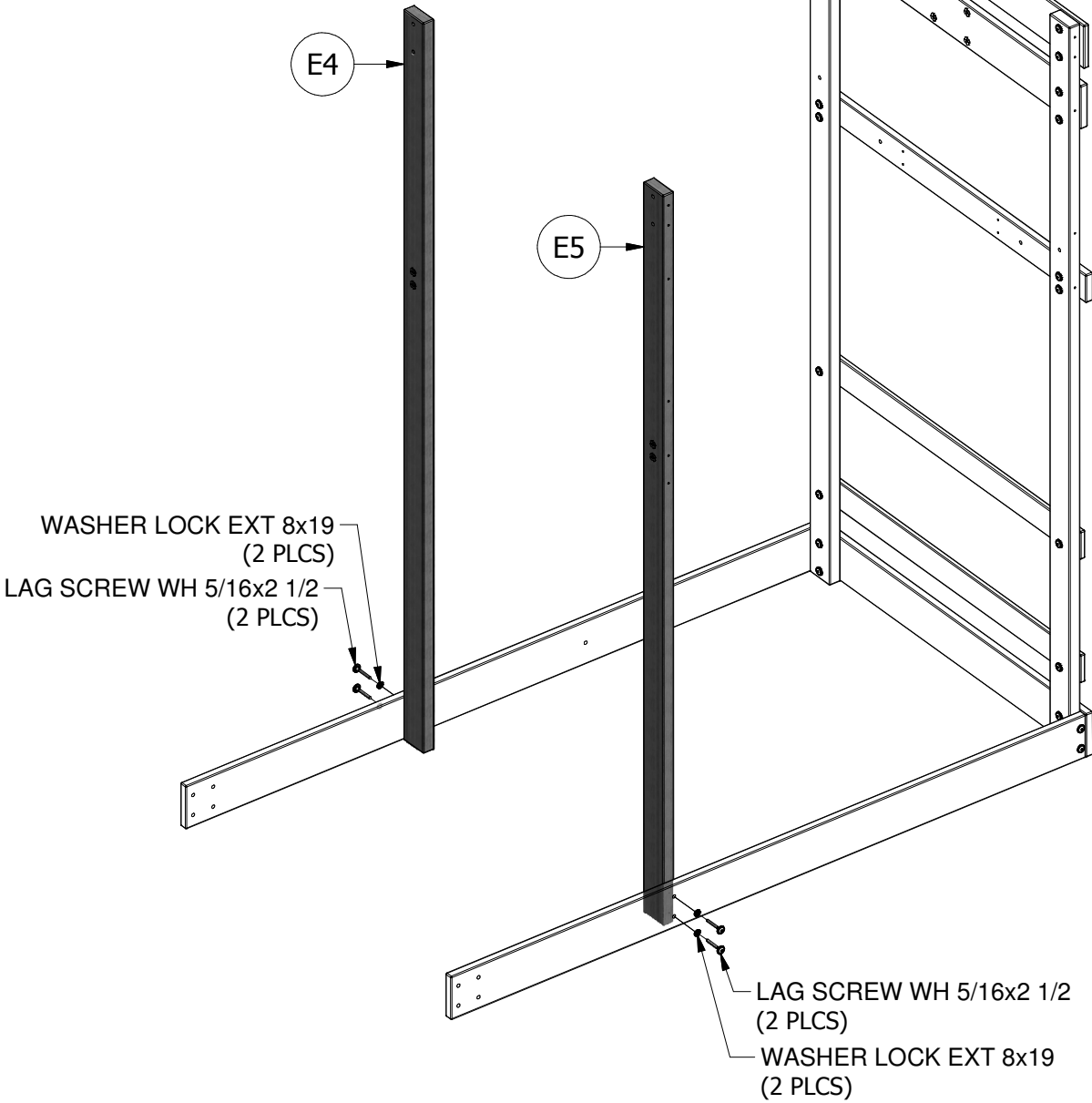
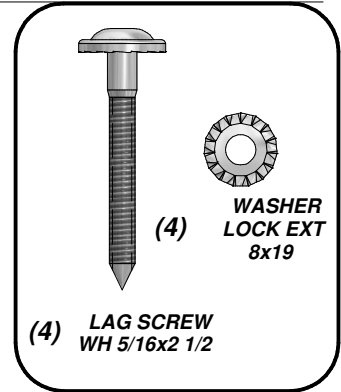


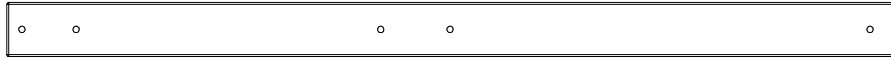
(1) **E4 - UPRIGHT - W104103**
1 3/8"x3 3/8"x89 1/2" (36x86x2272)



(1) **E5 - UPRIGHT - W104104**
1 3/8"x3 3/8"x89 1/2" (36x86x2272)

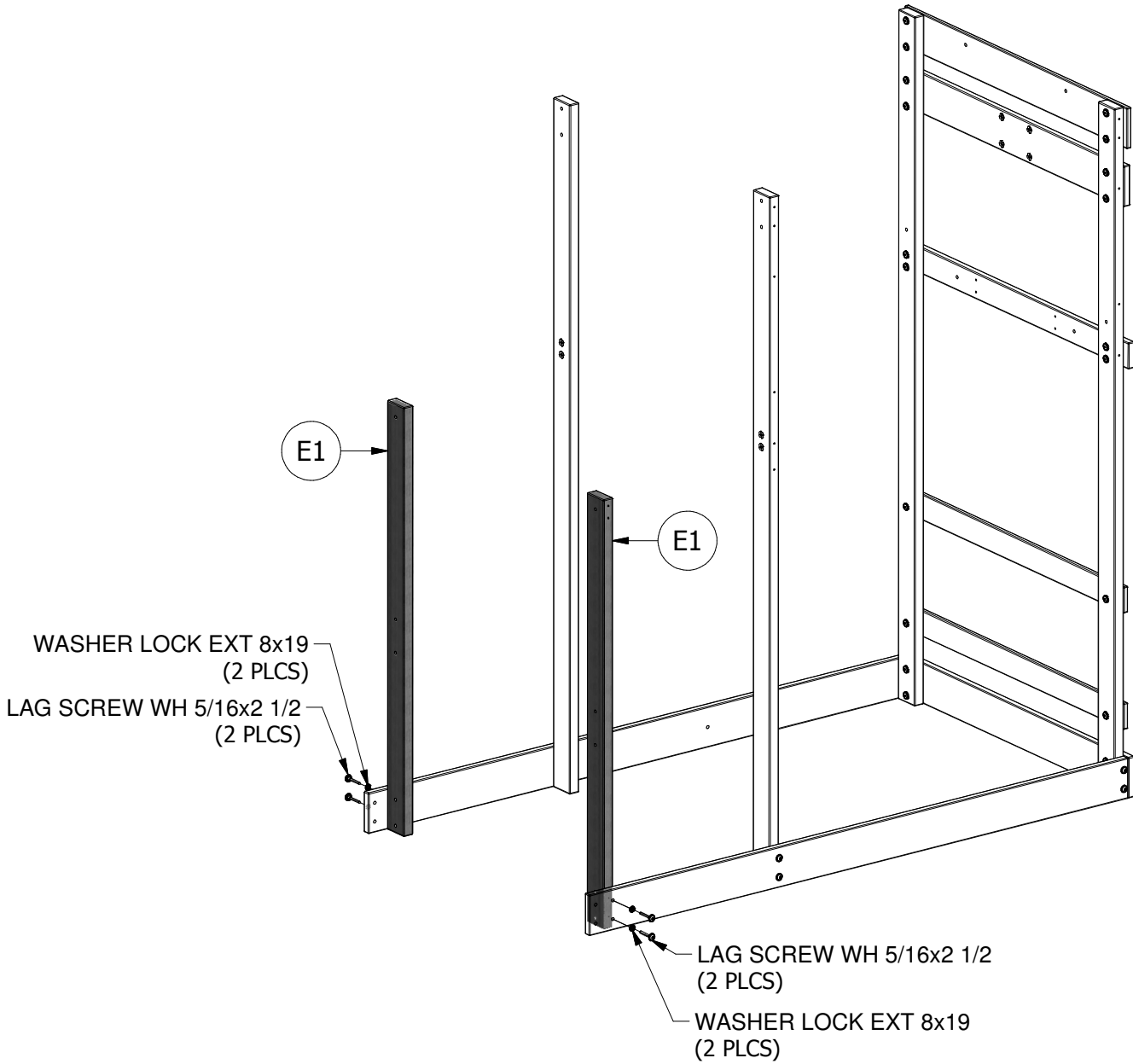
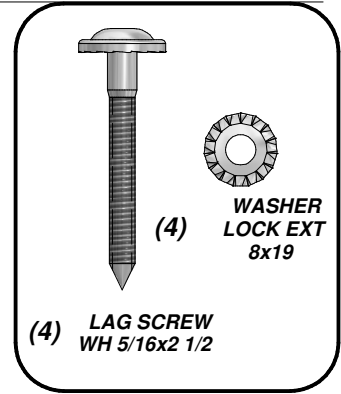
STEP 4





(2) **E1 - UPRIGHT - W104109**
1 3/8"x3 3/8"x55 5/8" (36x86x1414)

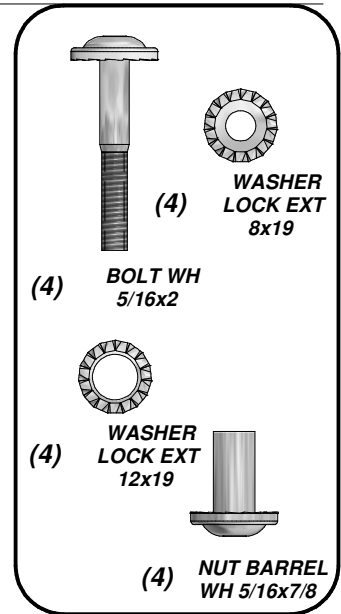
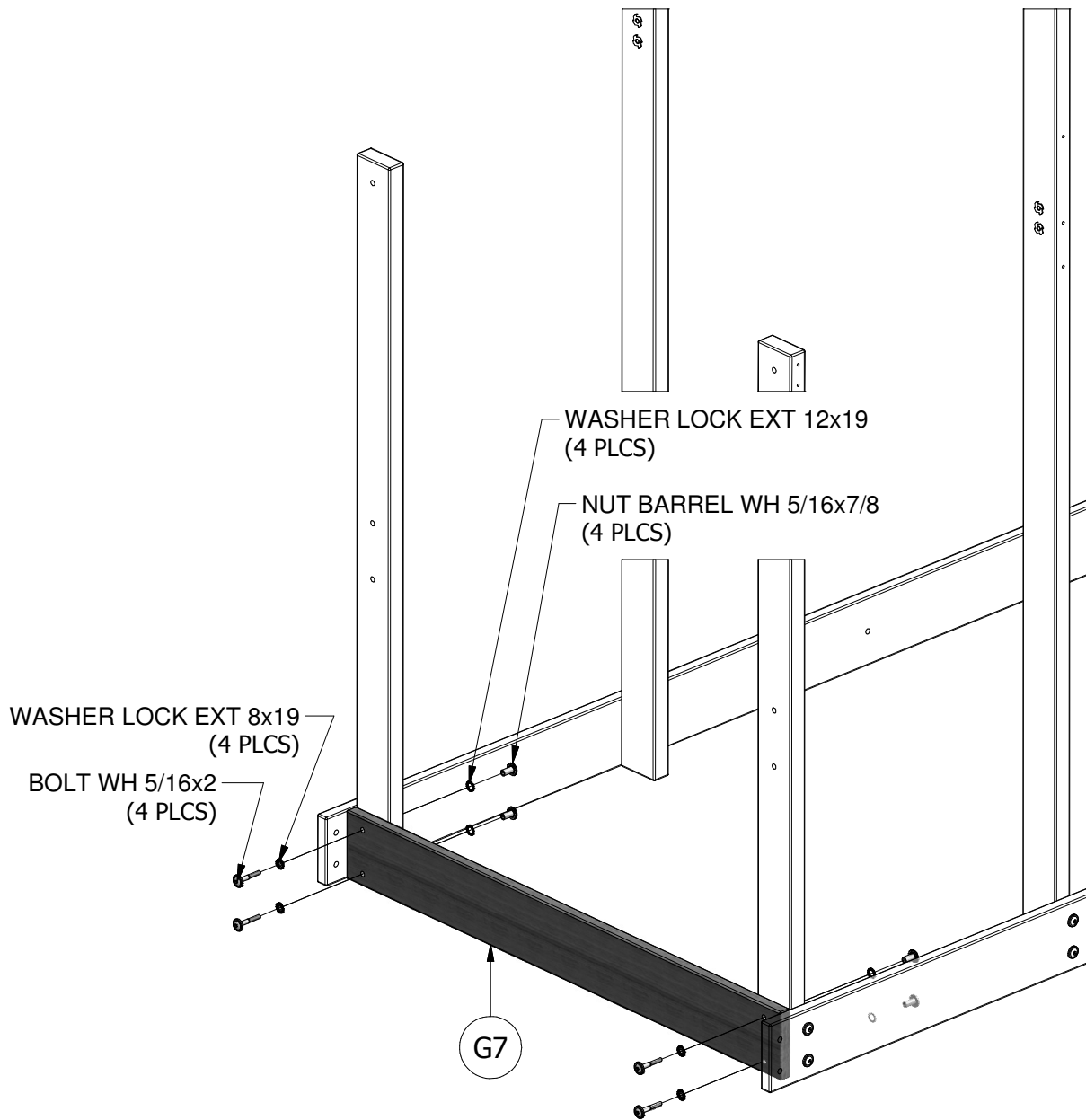
STEP 5





(1) **G7 - GROUND BOARD - W104108**
1"x5 1/4"x44 1/4" (24x134x1124)

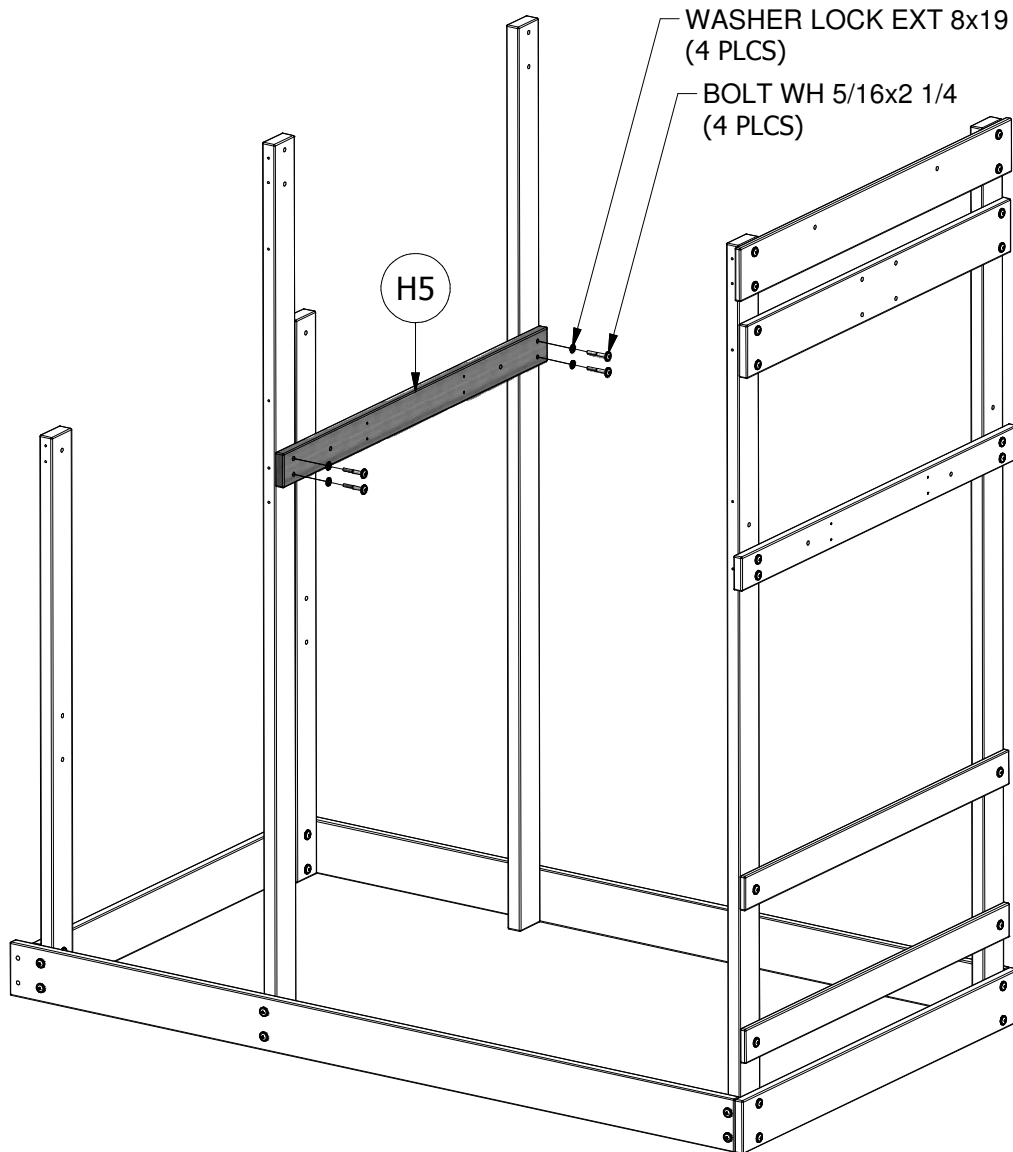
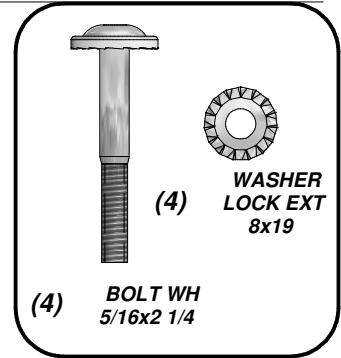
STEP 6





(1) **H5 - FLOOR RAIL - W104113**
1"x3 3/8"x44 1/4" (24x86x1124)

STEP 7



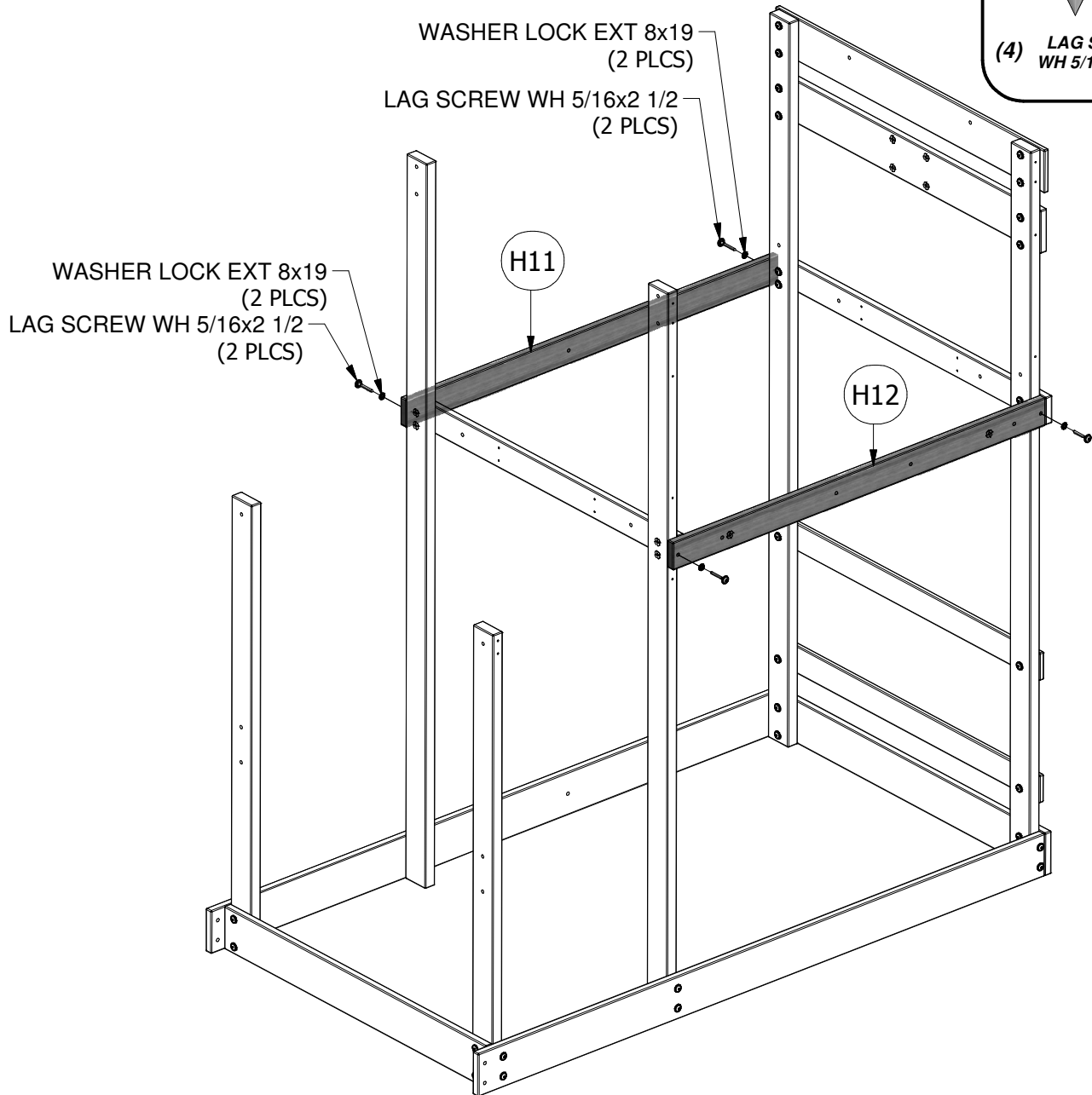
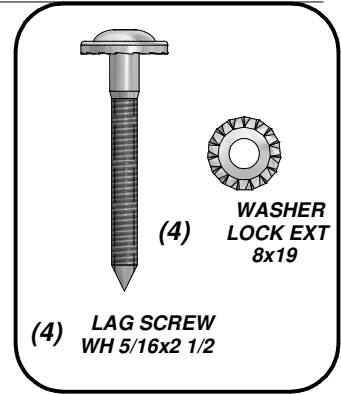


(1) **H11 - FLOOR RAIL - W104110**
1"x3 3/8"x53 7/8" (24x86x1370)



(1) **H12 - FLOOR RAIL - W104111**
1"x3 3/8"x53 7/8" (24x86x1370)

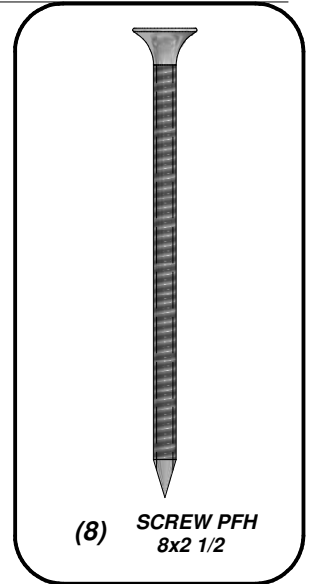
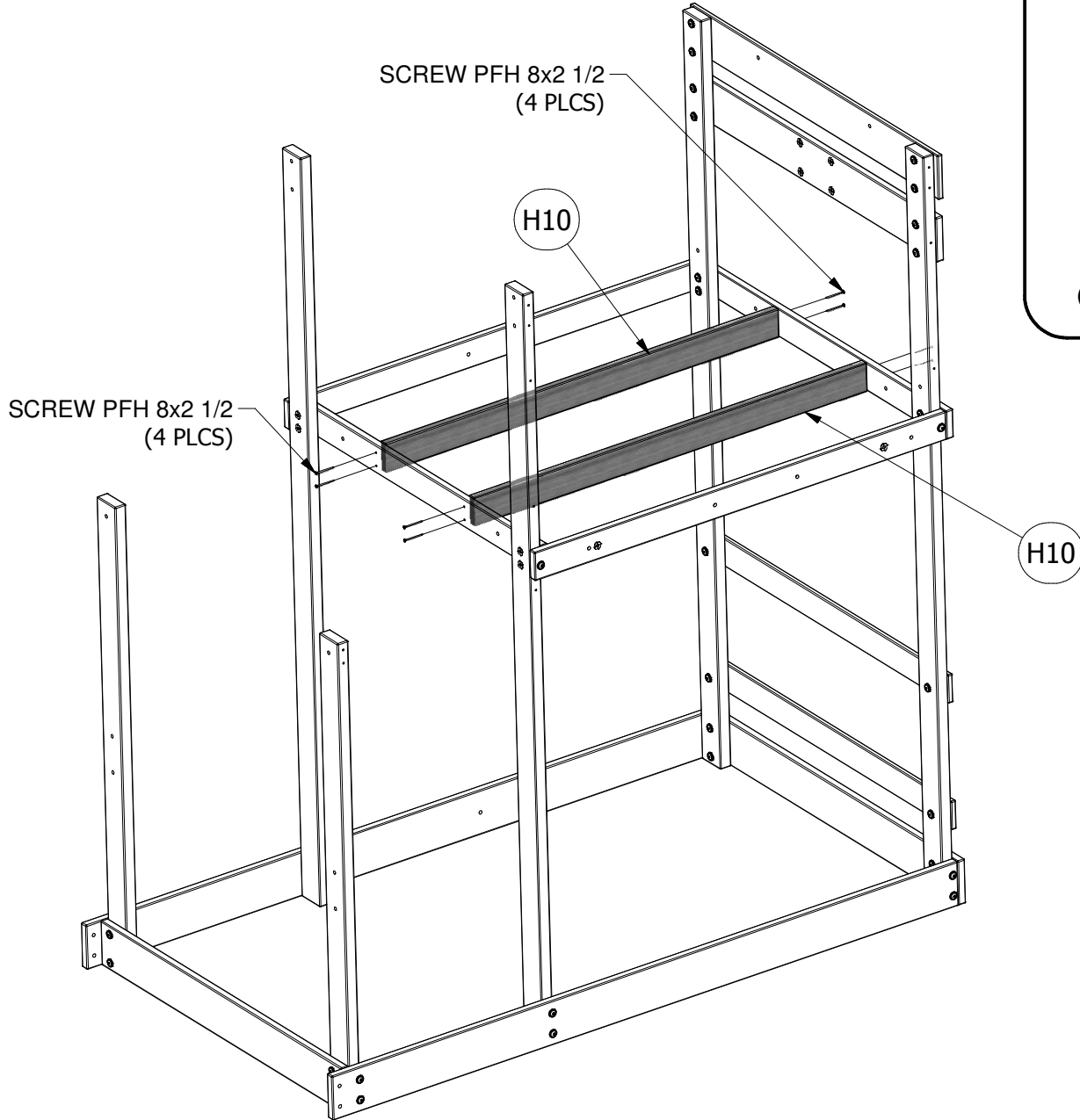
STEP 8





(2) **H10 - FLOOR SUPPORT - W104120**
1"x3 3/8"x51 5/8" (24x86x1310)

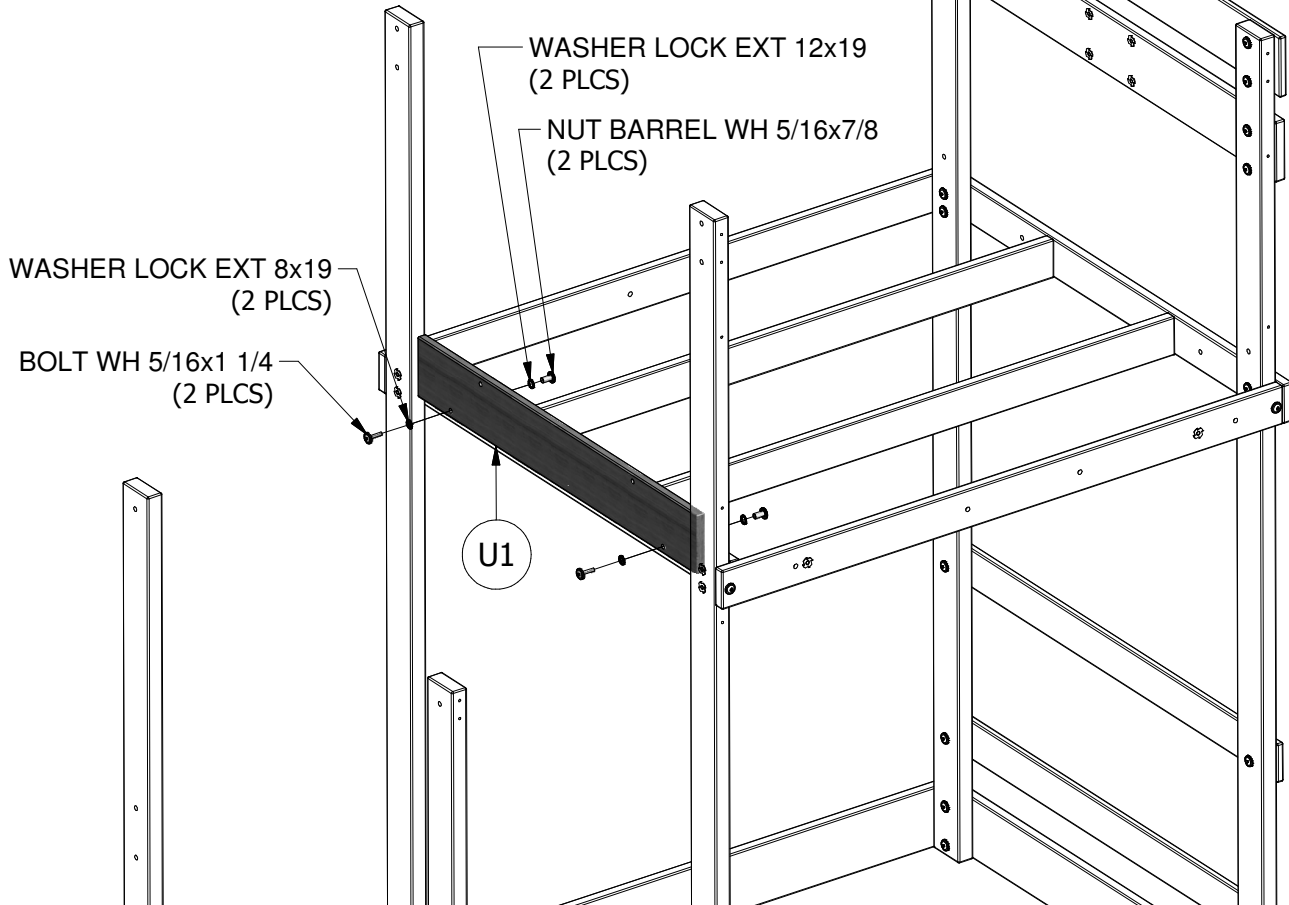
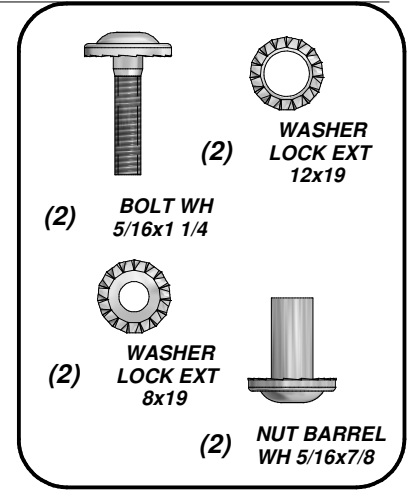
STEP 9

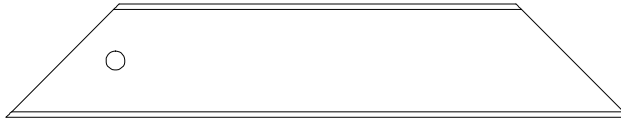




(1) **U1 - WALL RAIL - W104147**
3/4"x5 1/4"x37 3/8" (20x134x950)

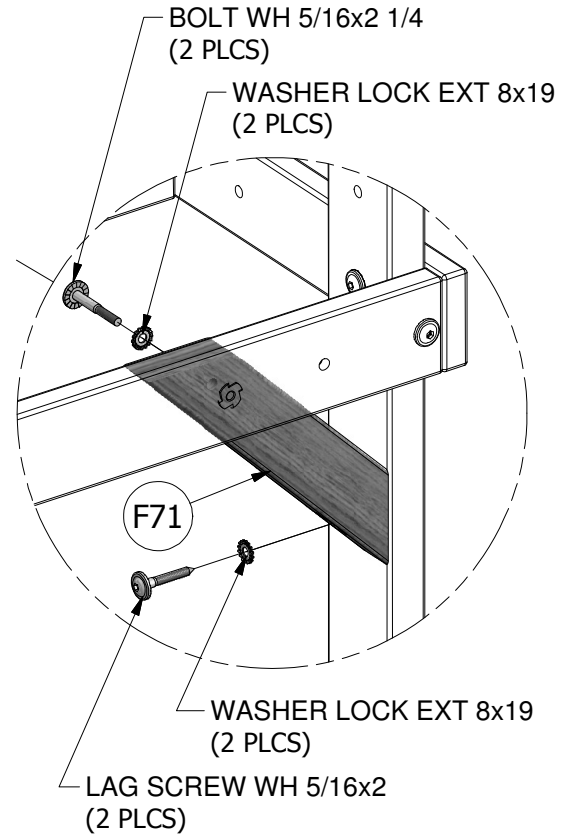
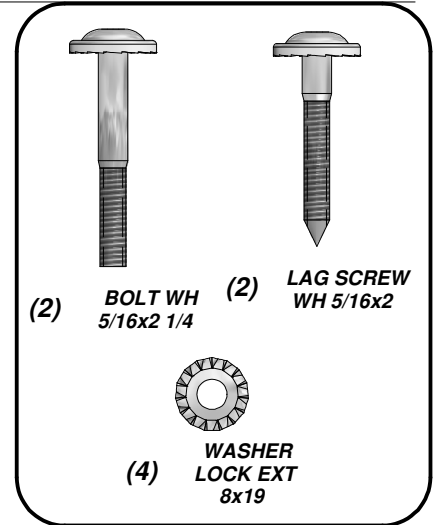
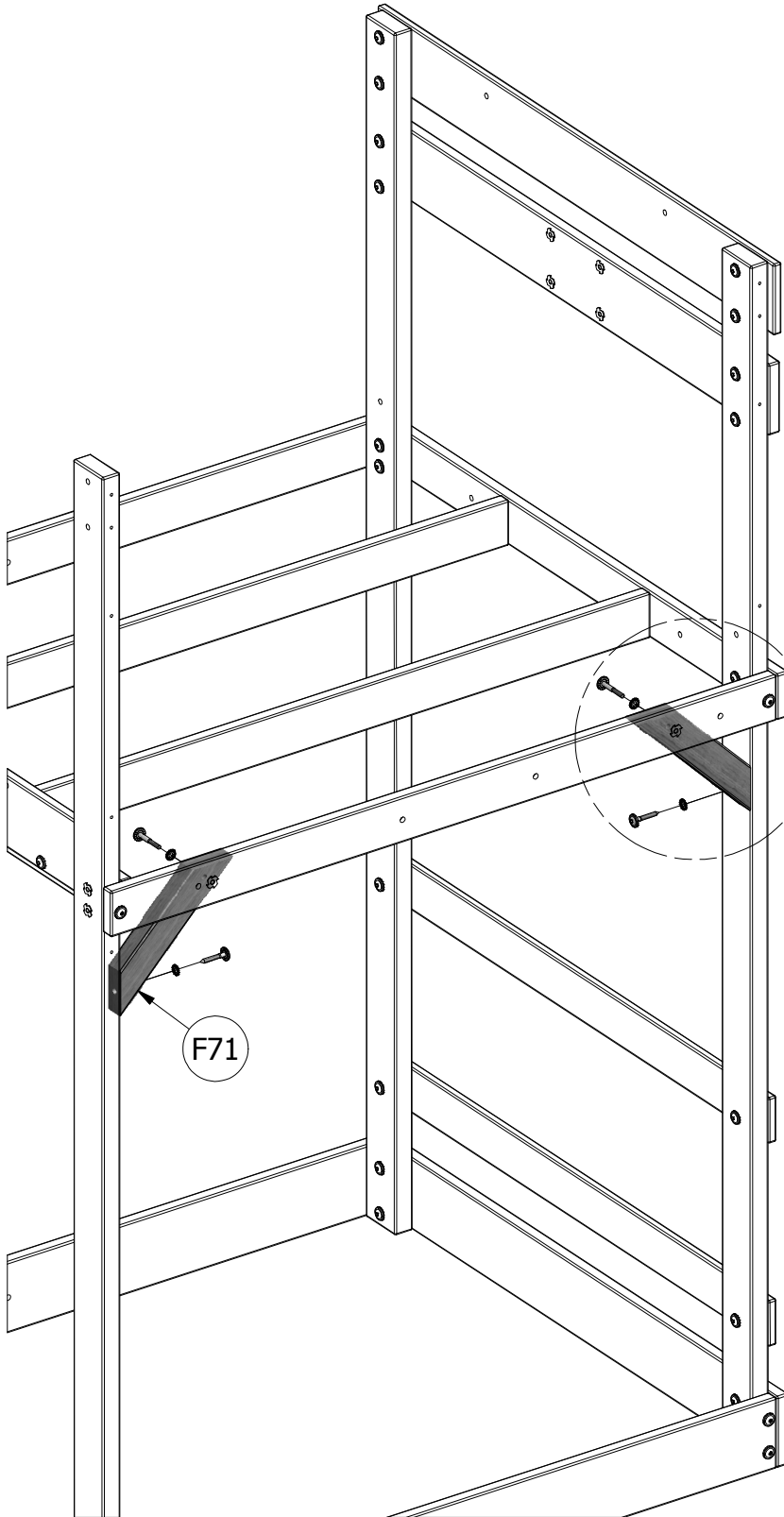
STEP 10

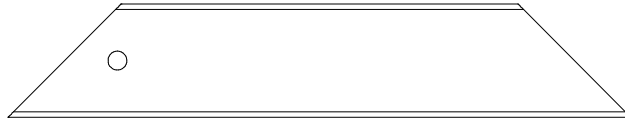




(2) **F71 - STANDARD ANGLE BRACE - W100689**
1 3/8"x2 3/8"x13" (36x60x330)

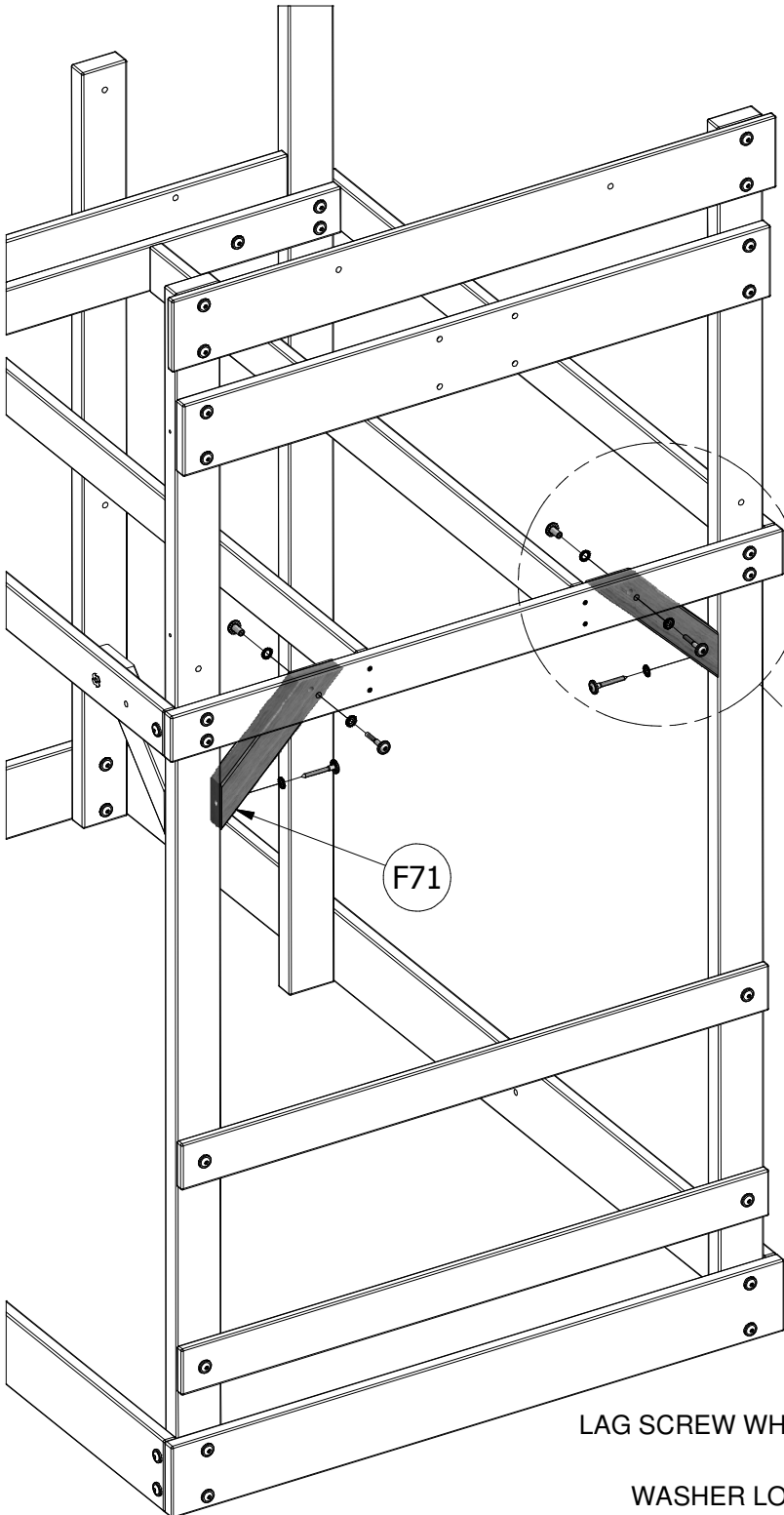
STEP 11



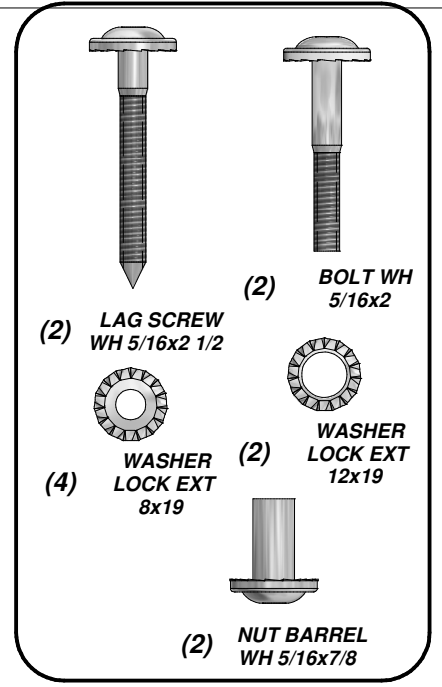


(2) **F71 - STANDARD ANGLE BRACE - W100689**
1 3/8"x2 3/8"x13" (36x60x330)

STEP 12



F71



(2) **LAG SCREW**
WH 5/16x2 1/2

(2) **BOLT WH**
5/16x2

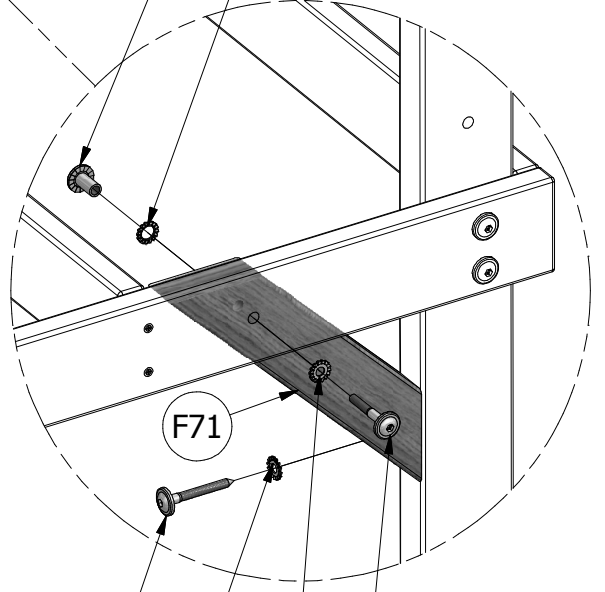
(4) **WASHER**
LOCK EXT
8x19

(2) **WASHER**
LOCK EXT
12x19

(2) **NUT BARREL**
WH 5/16x7/8

NUT BARREL WH 5/16x7/8
(2 PLCS)

WASHER LOCK EXT 12x19
(2 PLCS)



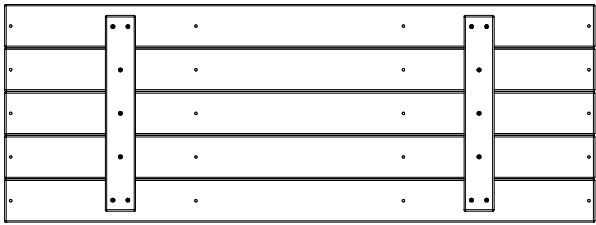
F71

LAG SCREW WH 5/16x2 1/2
(2 PLCS)

WASHER LOCK EXT 8x19
(2 PLCS)

BOLT WH 5/16x2
(2 PLCS)

WASHER LOCK EXT 8x19
(2 PLCS)

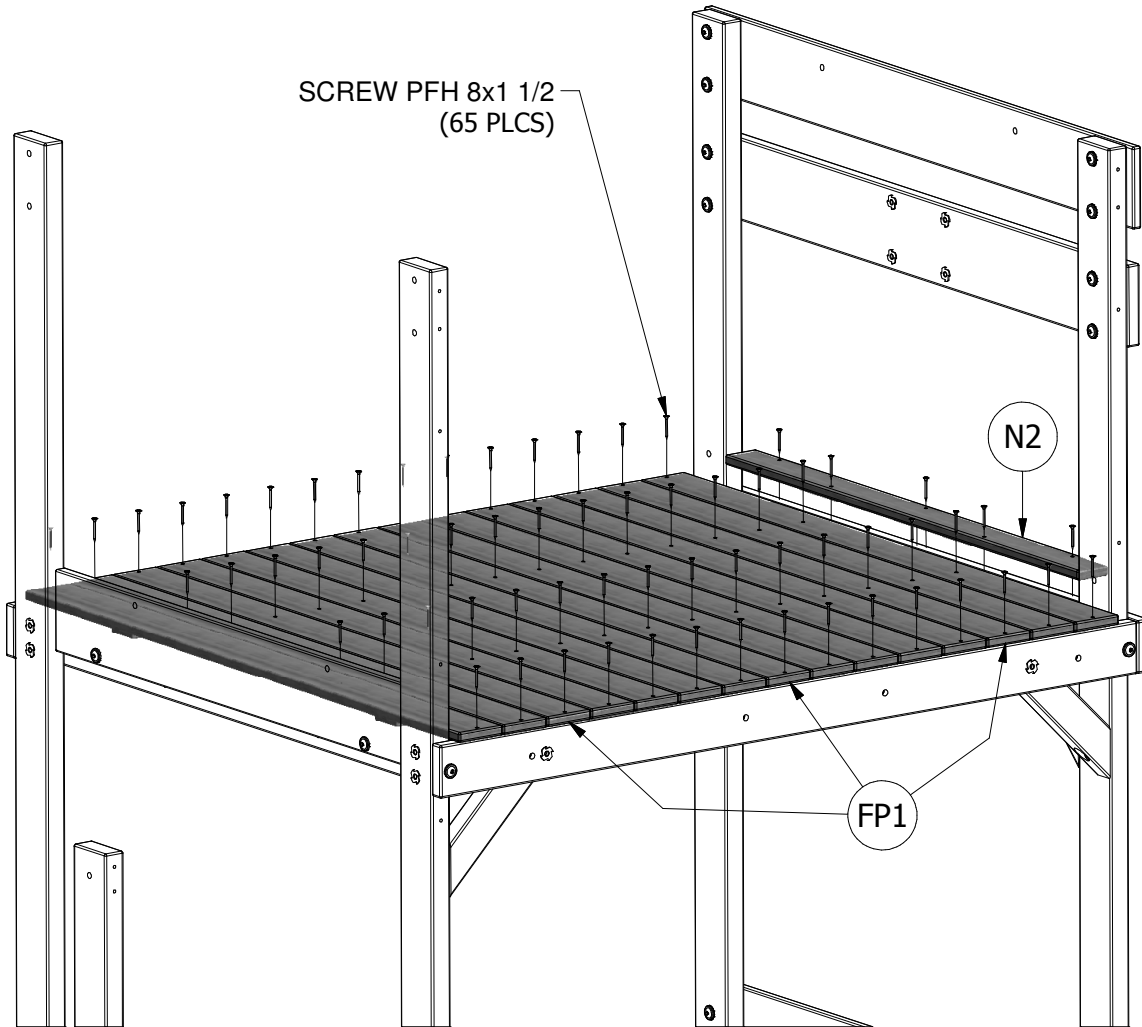
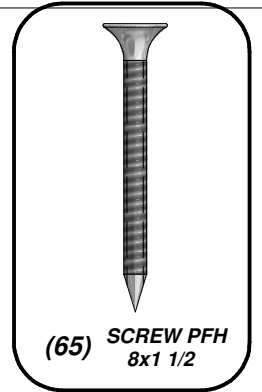


(3) FP1 - FLOOR PANEL - W104121



(1) N2 - FLOOR BOARD - W104122
5/8"x2 3/8"x37 3/8" (16x60x950)

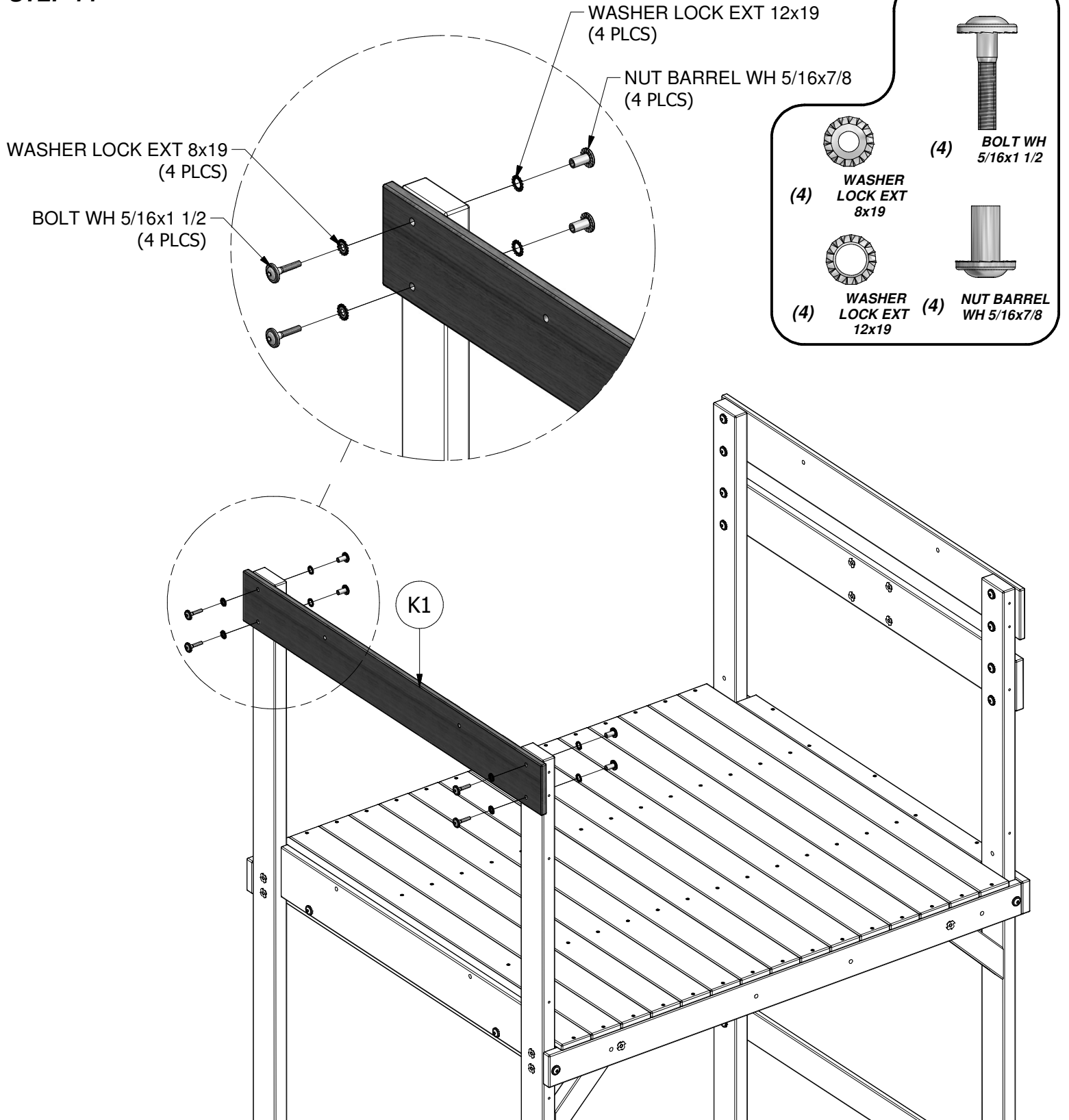
STEP 13

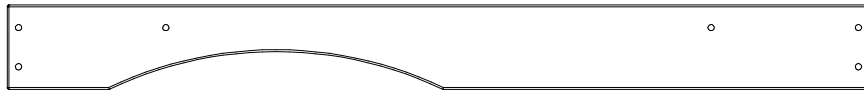




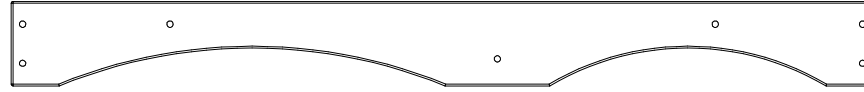
(1) **K1 - UPPER WALL RAIL - W104116**
5/8"x5 1/4"x45 1/2" (16x134x1156)

STEP 14



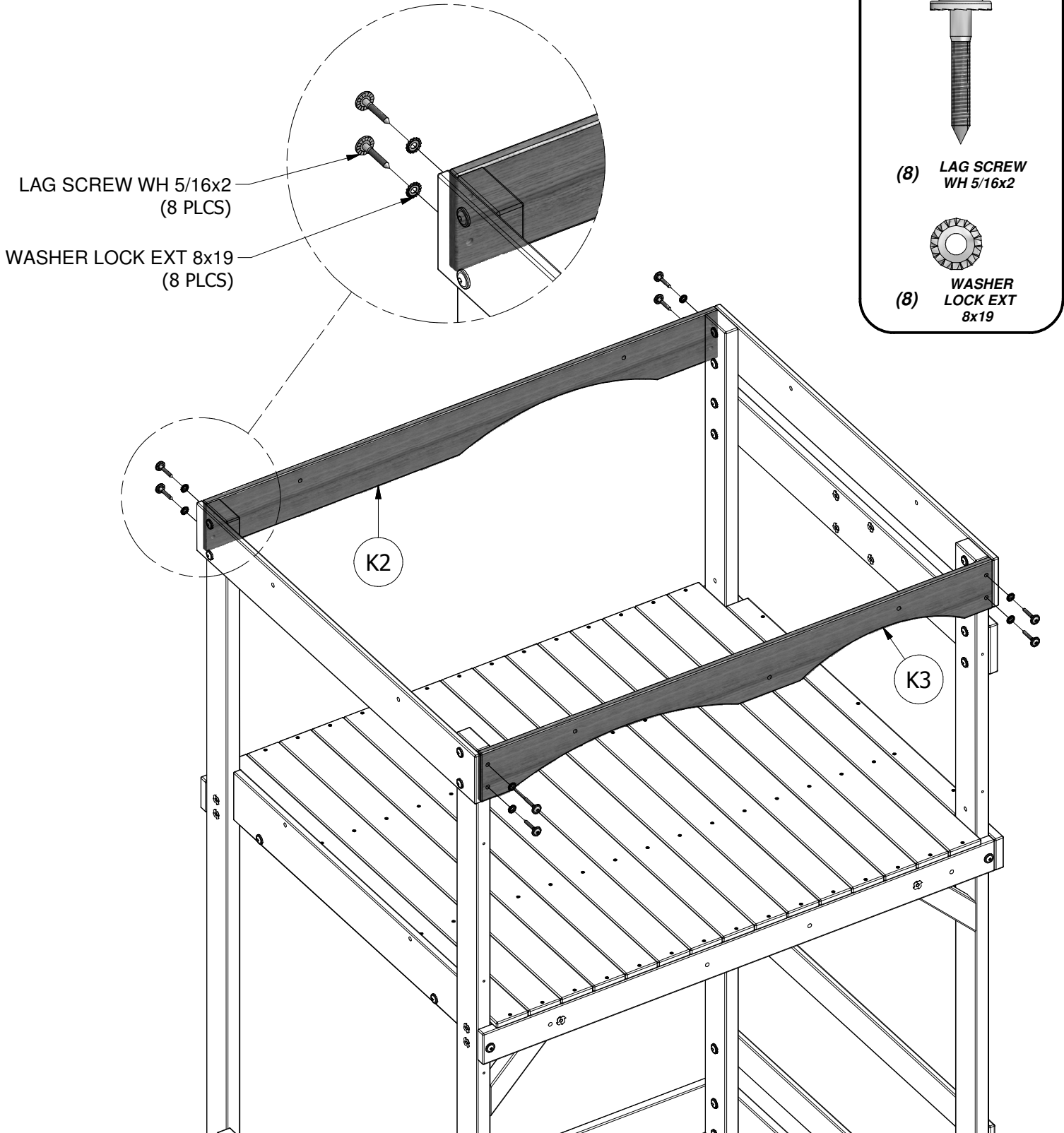


(1) **K2 - ARCH BOARD - W104117**
5/8"x5 1/4"x53 7/8" (16x134x1370)



(1) **K3 - DOUBLE ARCH BOARD - W104118**
5/8"x5 1/4"x53 7/8" (16x134x1370)

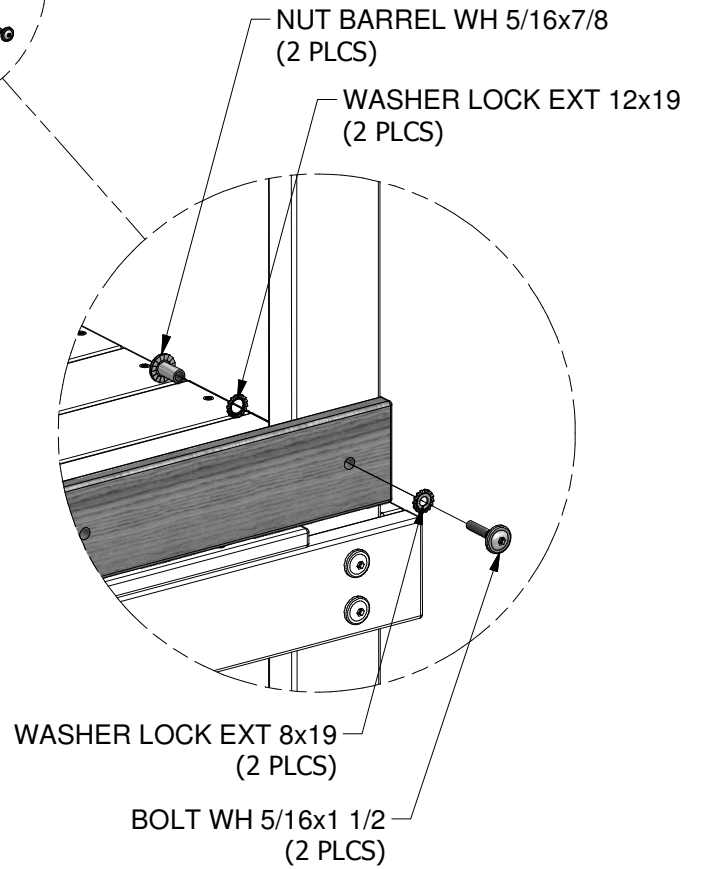
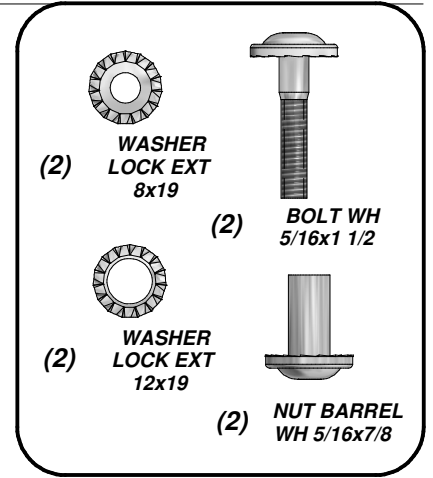
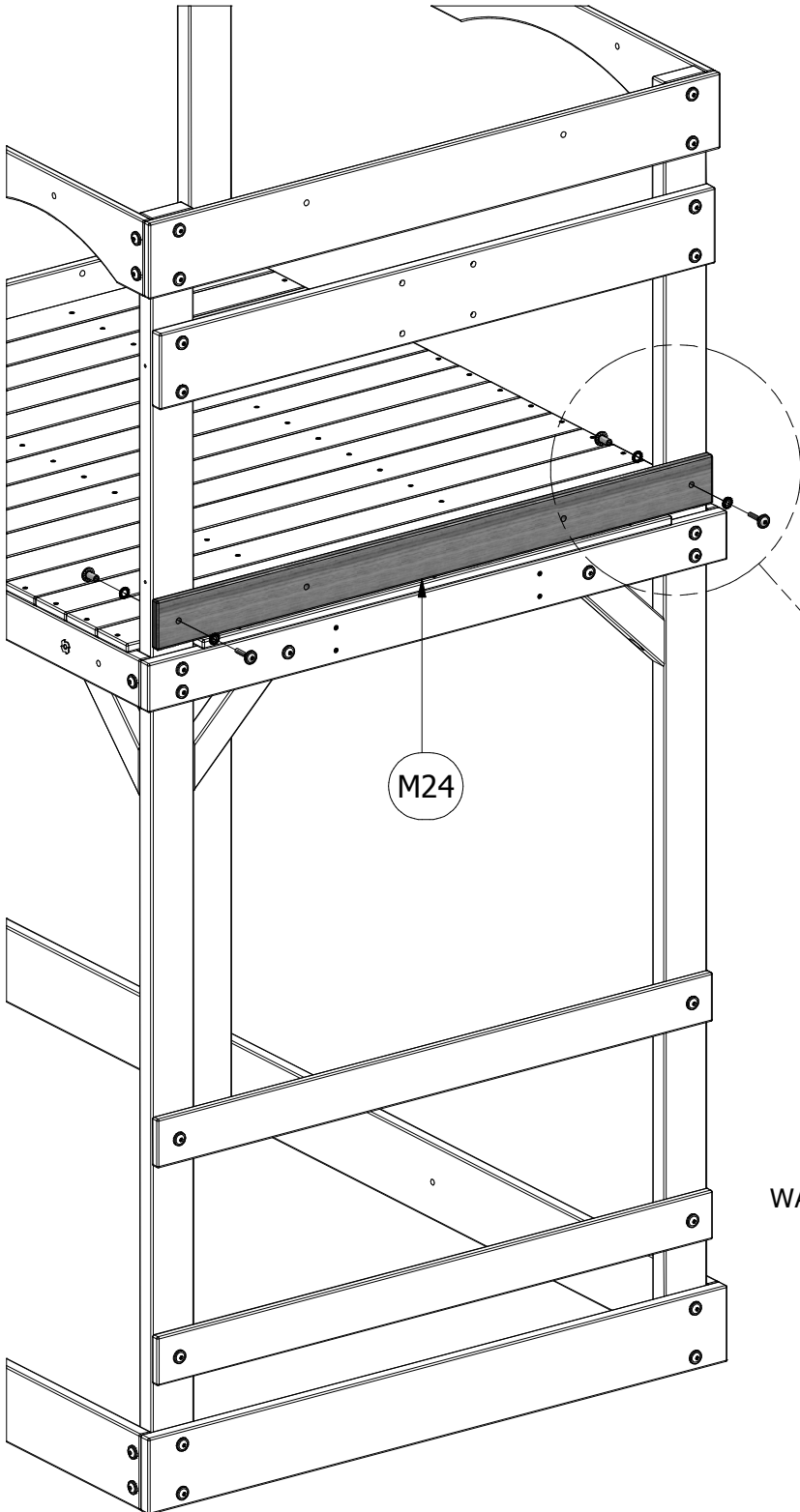
STEP 15





(1) **M24 - WALL RAIL - W104133**
5/8"x3 3/8"x44 1/4" (16x86x1124)

STEP 16



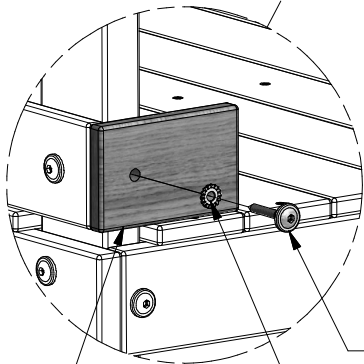
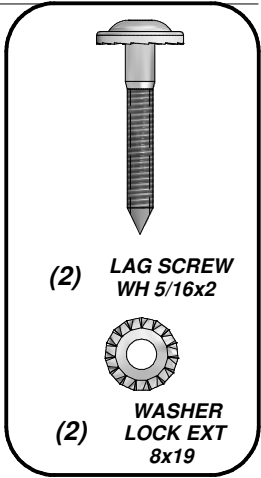
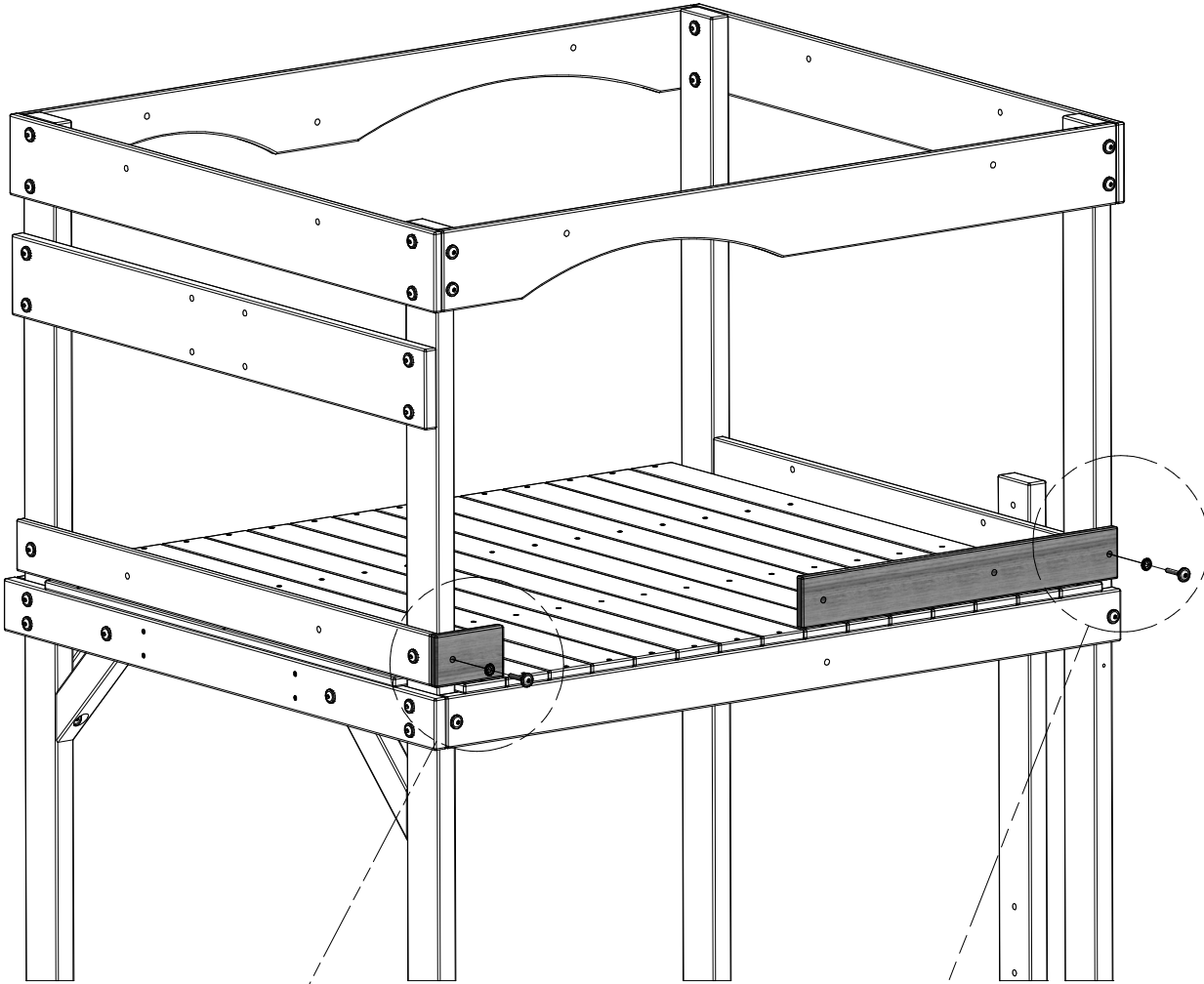


(1) **M2 - SMALL WALL RAIL - W104135**
5/8"x3 3/8"x5 3/8" (16x86x138)



(1) **M12 - WALL RAIL - W104136**
5/8"x3 3/8"x25 1/4" (16x86x642)

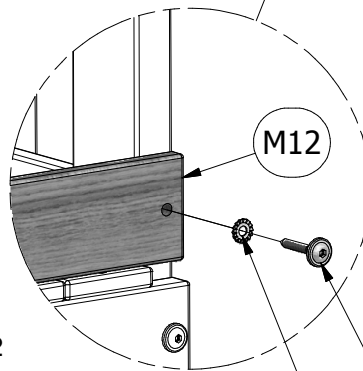
STEP 17



M2

LAG SCREW WH 5/16x2
(1 PLC)

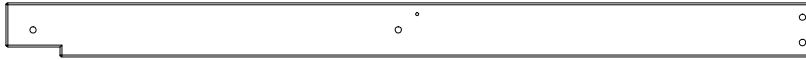
WASHER LOCK EXT 8x19
(1 PLC)



M12

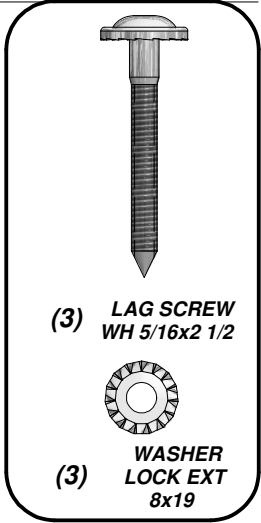
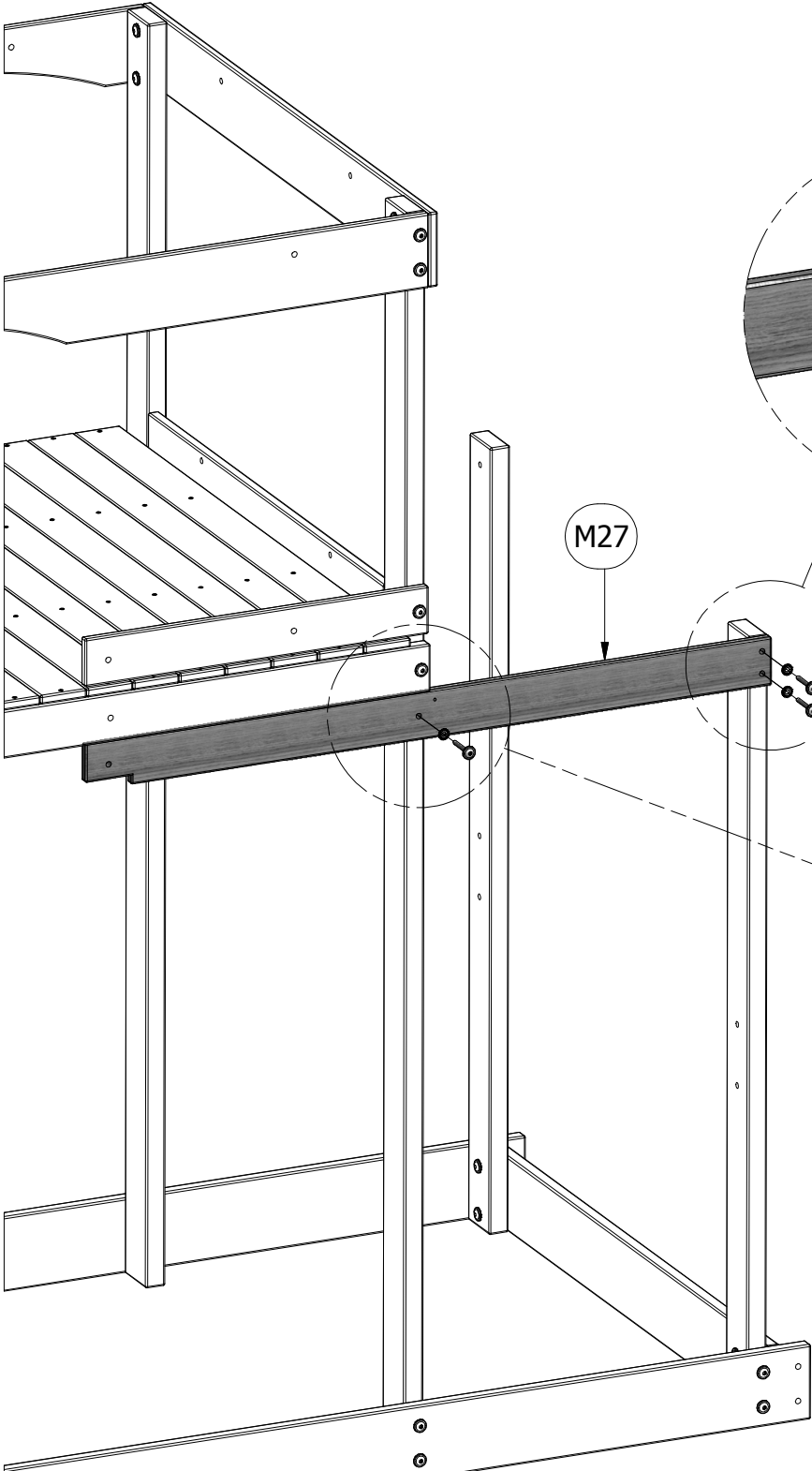
LAG SCREW WH 5/16x2
(1 PLC)

WASHER LOCK EXT 8x19
(1 PLC)



(1) **M27 - WALL RAIL - W104115**
5/8"x3 3/8"x50 1/2" (16x86x1283)

STEP 18



LAG SCREW WH 5/16x2 1/2
(2 PLCS)

WASHER LOCK EXT 8x19
(2 PLCS)

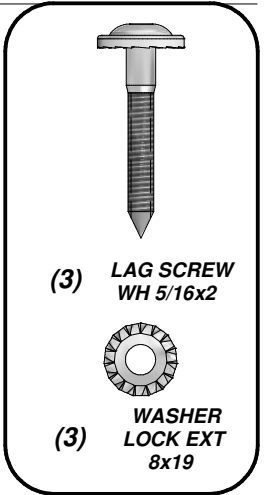
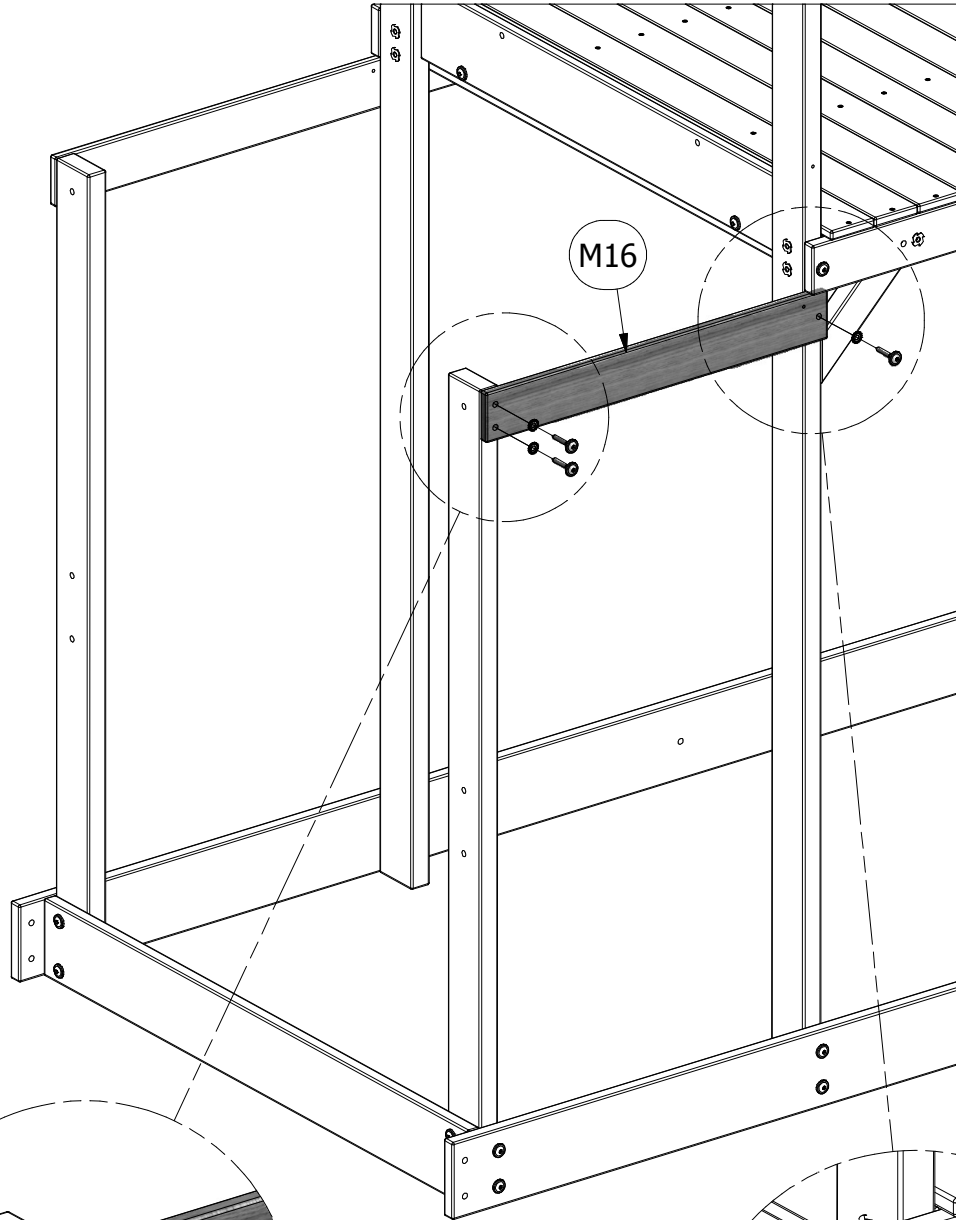
WASHER LOCK EXT 8x19
(1 PLC)

LAG SCREW WH 5/16x2 1/2
(1 PLC)



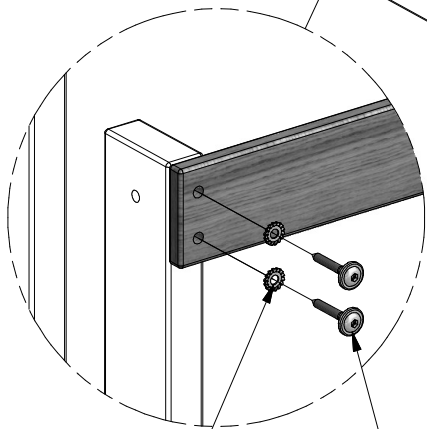
- (1) **M16 - LEMONADE ROOF SUPPORT - W104123**
5/8"x3 3/8"x26 3/4" (16x86x678)

STEP 19

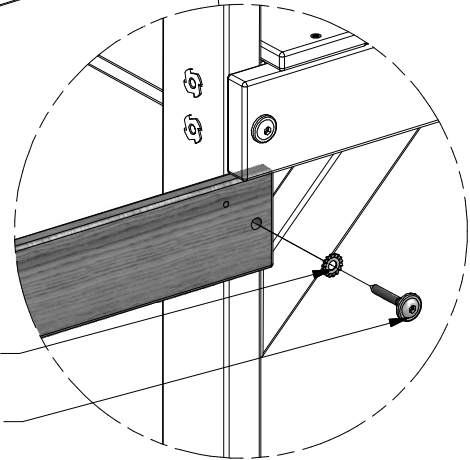


(3) **LAG SCREW**
WH 5/16x2

(3) **WASHER
LOCK EXT**
8x19



WASHER LOCK EXT 8x19
(2 PLCS)
LAG SCREW WH 5/16x2
(2 PLCS)

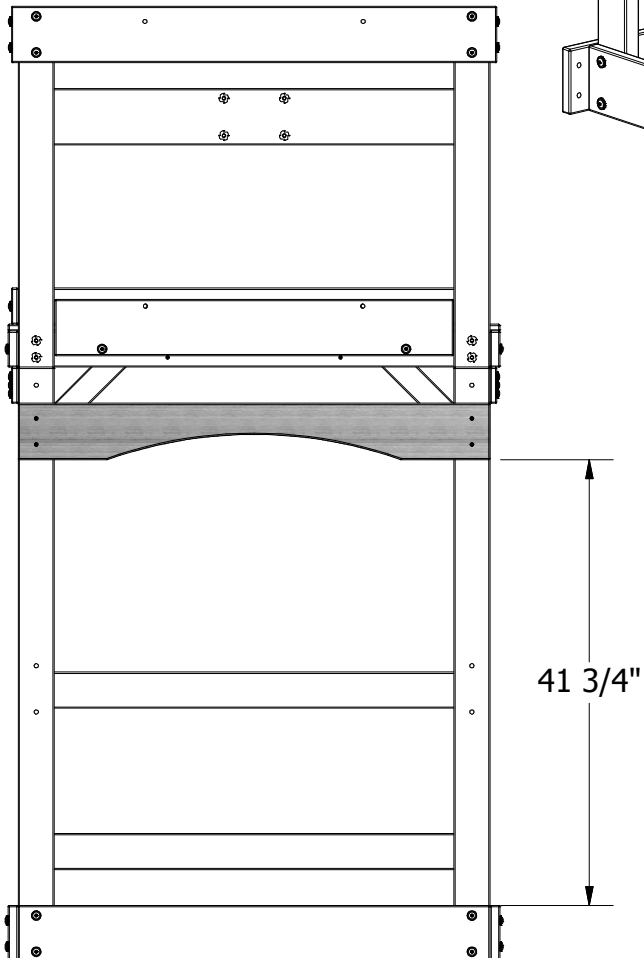
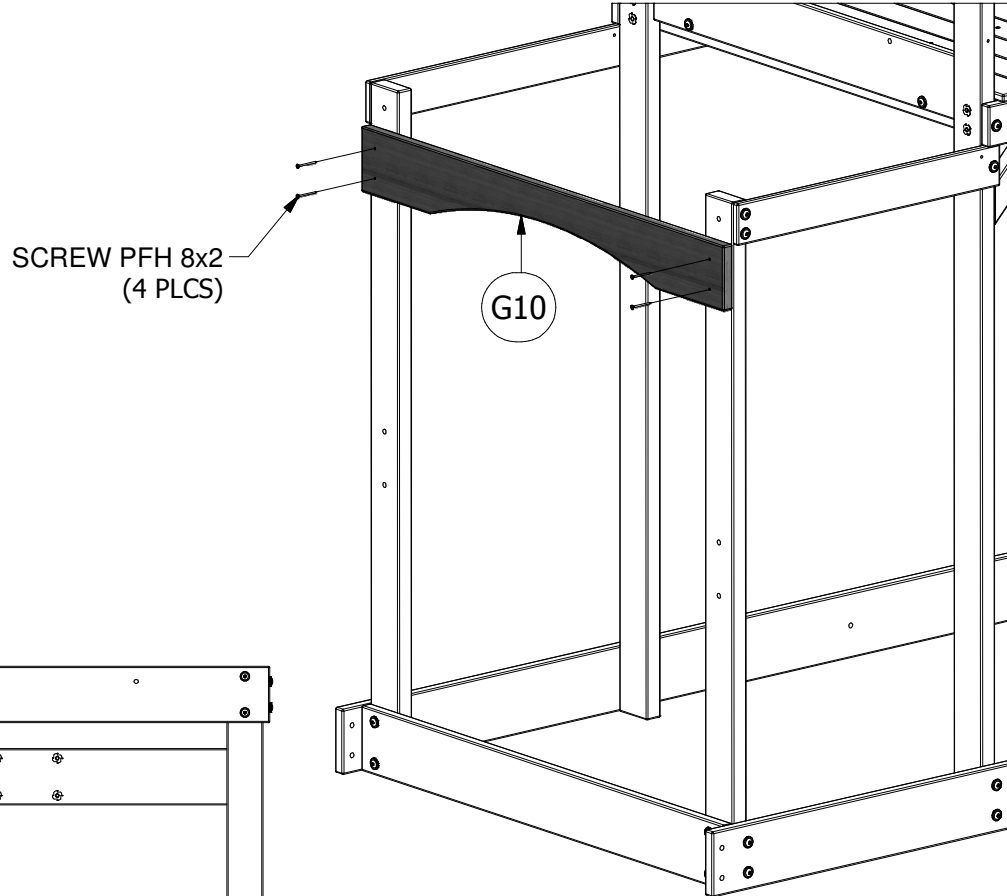


WASHER LOCK EXT 8x19
(1 PLC)
LAG SCREW WH 5/16x2
(1 PLC)



(1) **G10 - LEMONADE ARCH BOARD - W104175**
1"x5 1/4"x44 1/4" (24x134x1124)

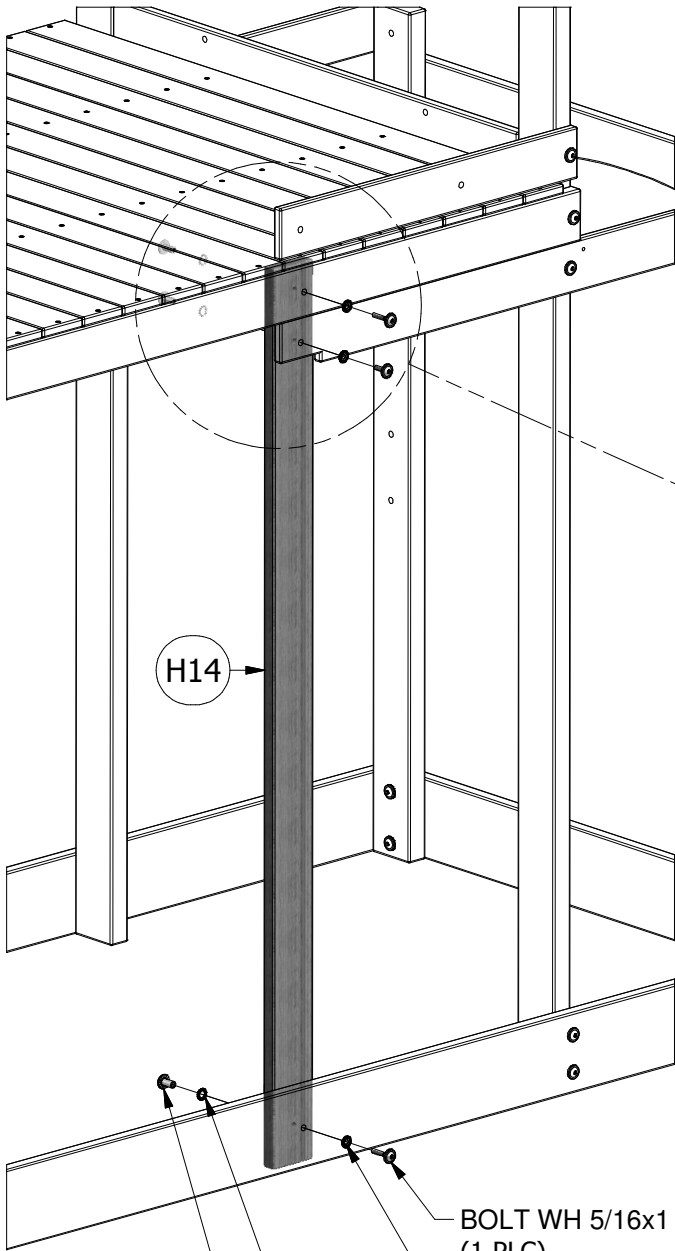
STEP 20



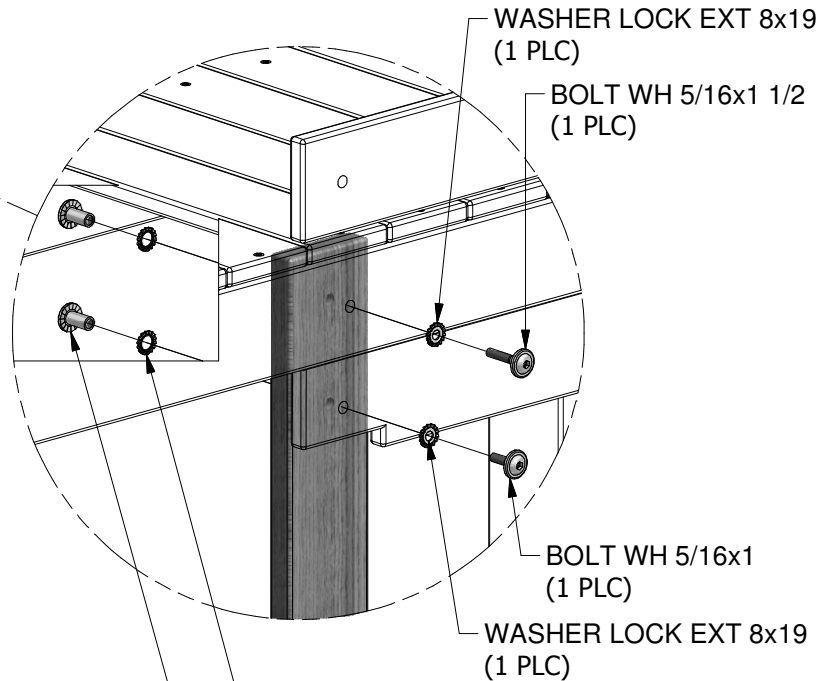
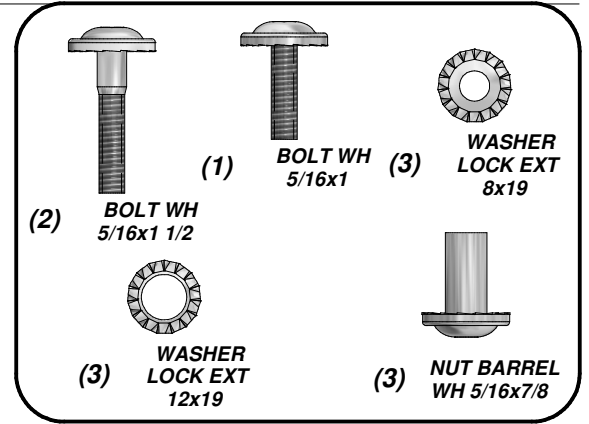


(1) **H14 - DOOR RAIL - W104114**
1"x3 3/8"x59" (24x86x1500)

STEP 21



H14



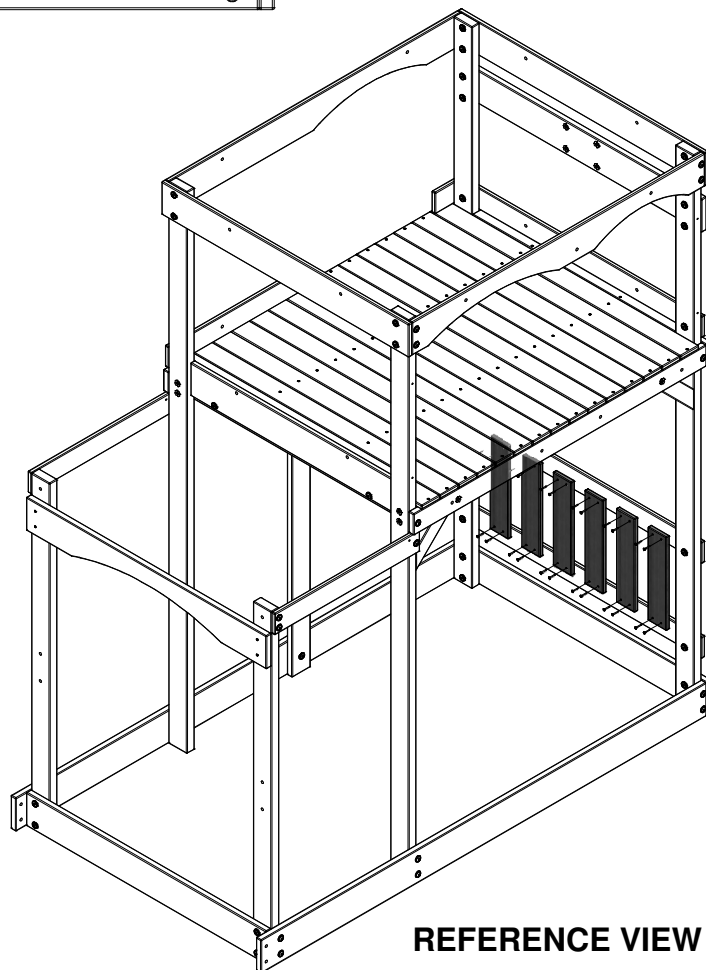
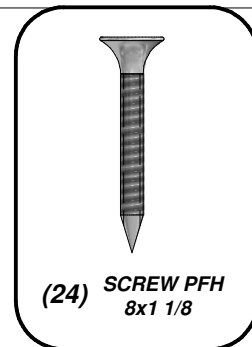
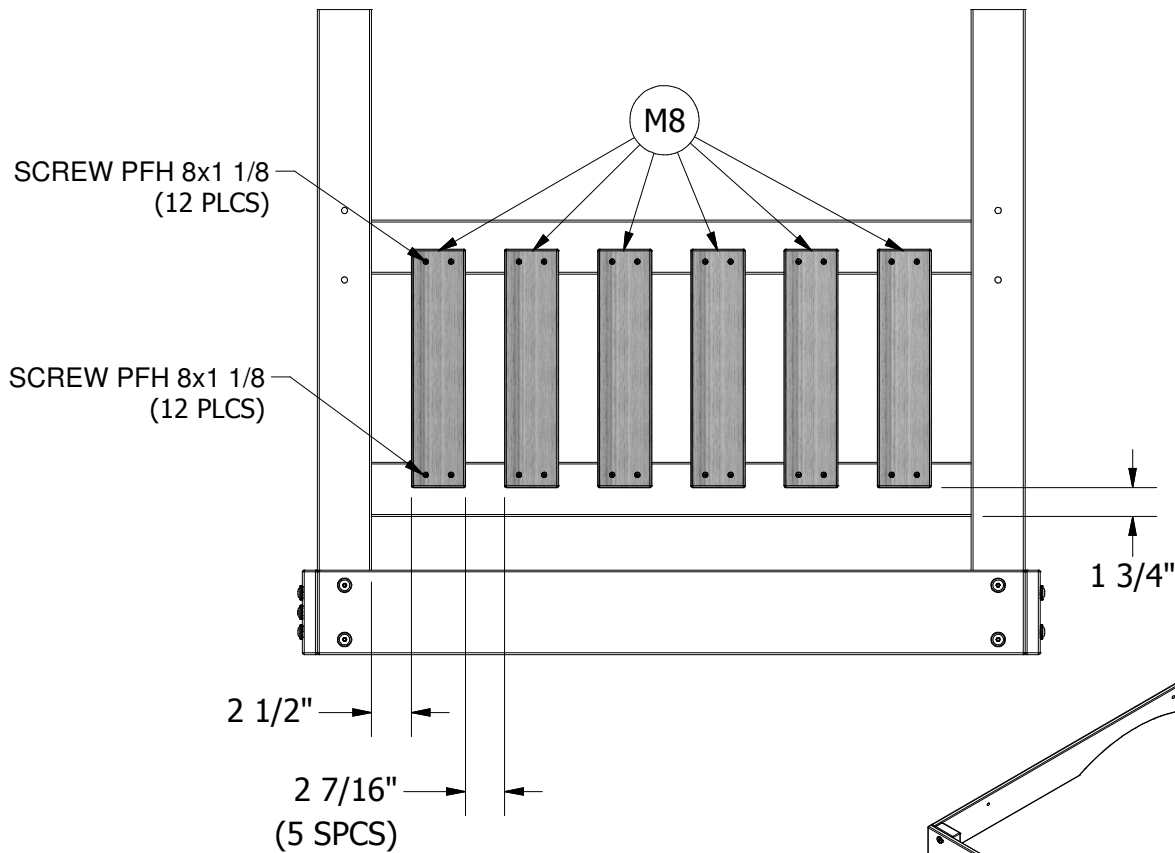
- BOLT WH 5/16x1 1/2 (1 PLC)
- WASHER LOCK EXT 8x19 (1 PLC)
- WASHER LOCK EXT 12x19 (1 PLC)
- NUT BARREL WH 5/16x7/8 (1 PLC)

- WASHER LOCK EXT 12x19 (2 PLCS)
- NUT BARREL WH 5/16x7/8 (2 PLCS)



(6) **M8 - WALL SLAT - W104134**
5/8"x3 3/8"x14 7/8" (16x86x378)

STEP 22

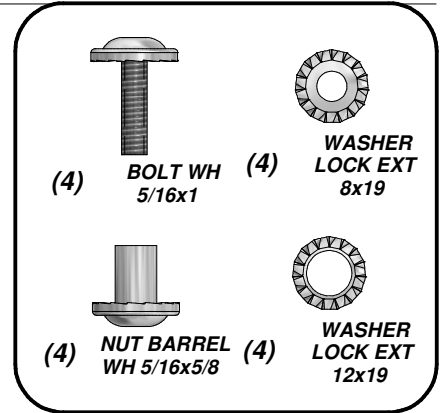
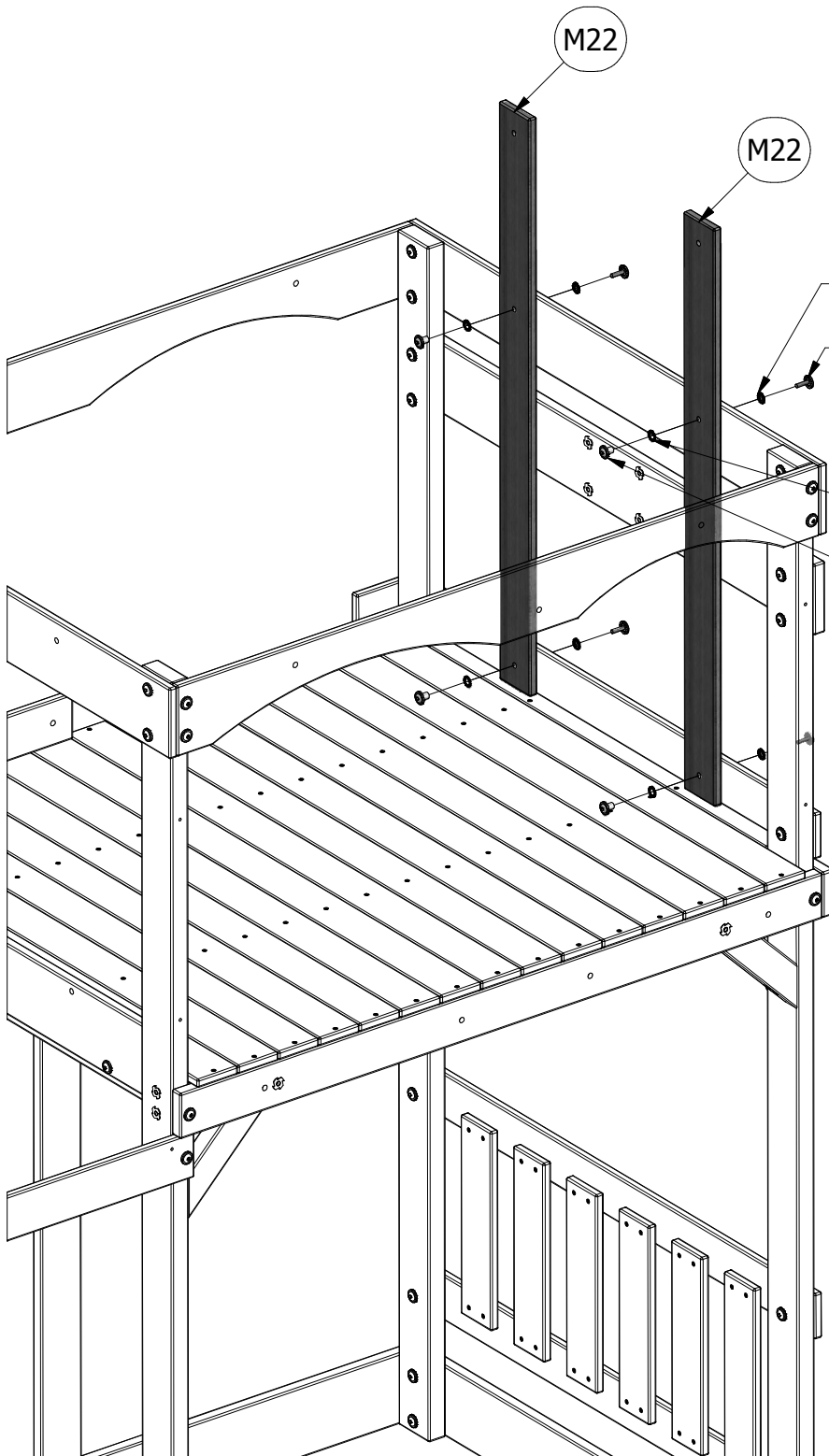


REFERENCE VIEW



(2) **M22 - LONG ROOF SUPPORT - W104139**
5/8"x3 3/8"x43 1/4" (16x86x1098)

STEP 23



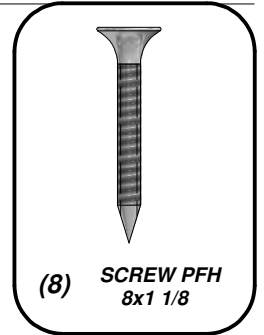
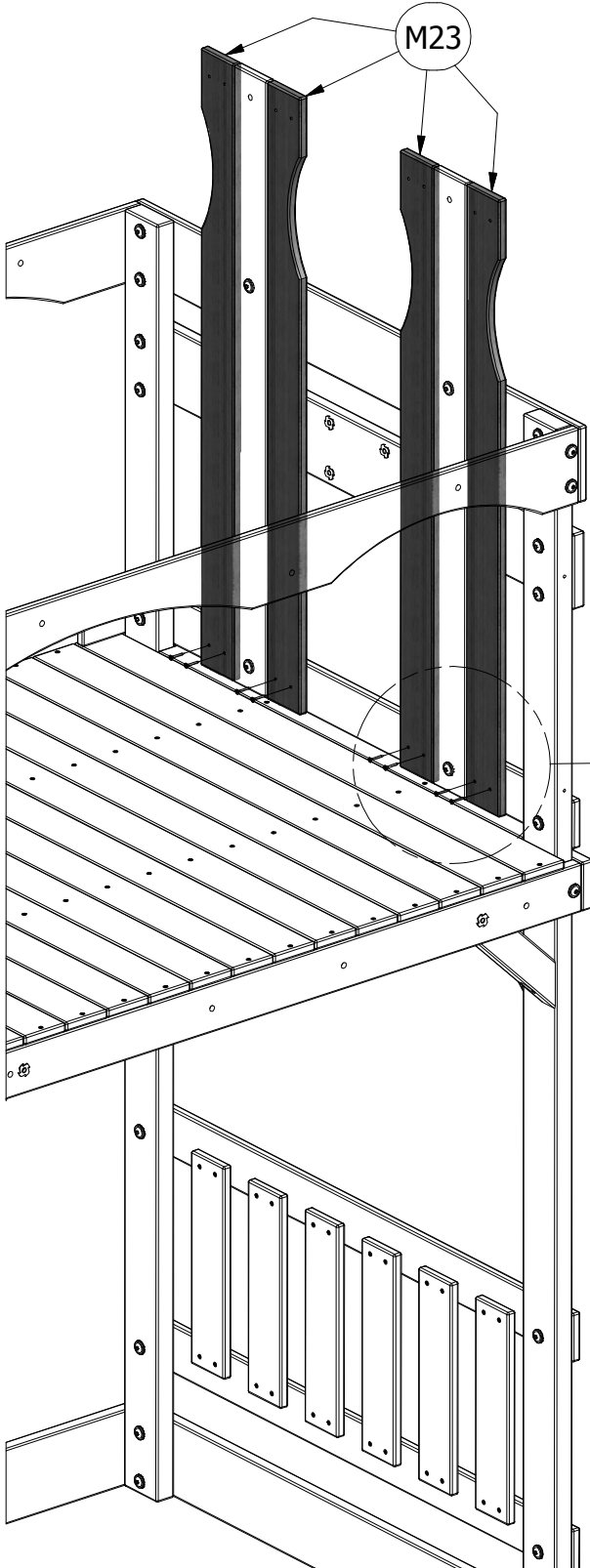
WASHER LOCK EXT 8x19
(4 PLCS)
BOLT WH 5/16x1
(4 PLCS)

WASHER LOCK EXT 12x19
(4 PLCS)
NUT BARREL WH 5/16x5/8
(4 PLCS)



(4) **M23 - LONG ARCH ROOF SUPPORT - W104140**
5/8"x3 3/8"x43 1/4" (16x86x1098)

STEP 24



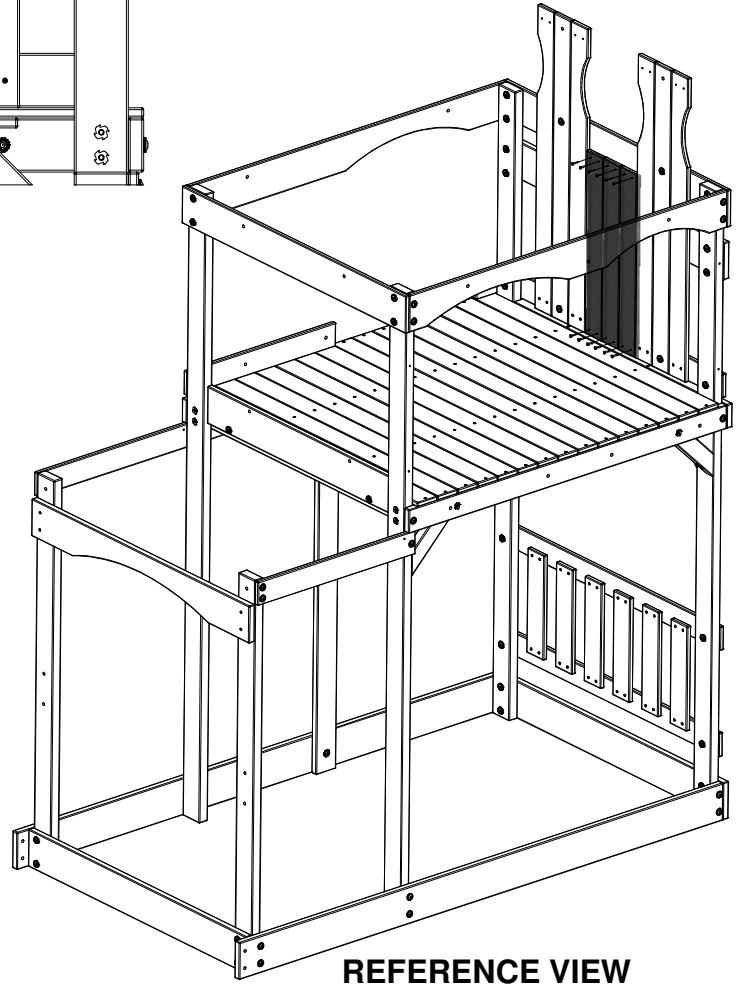
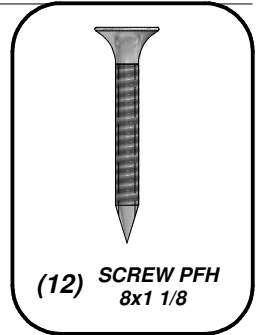
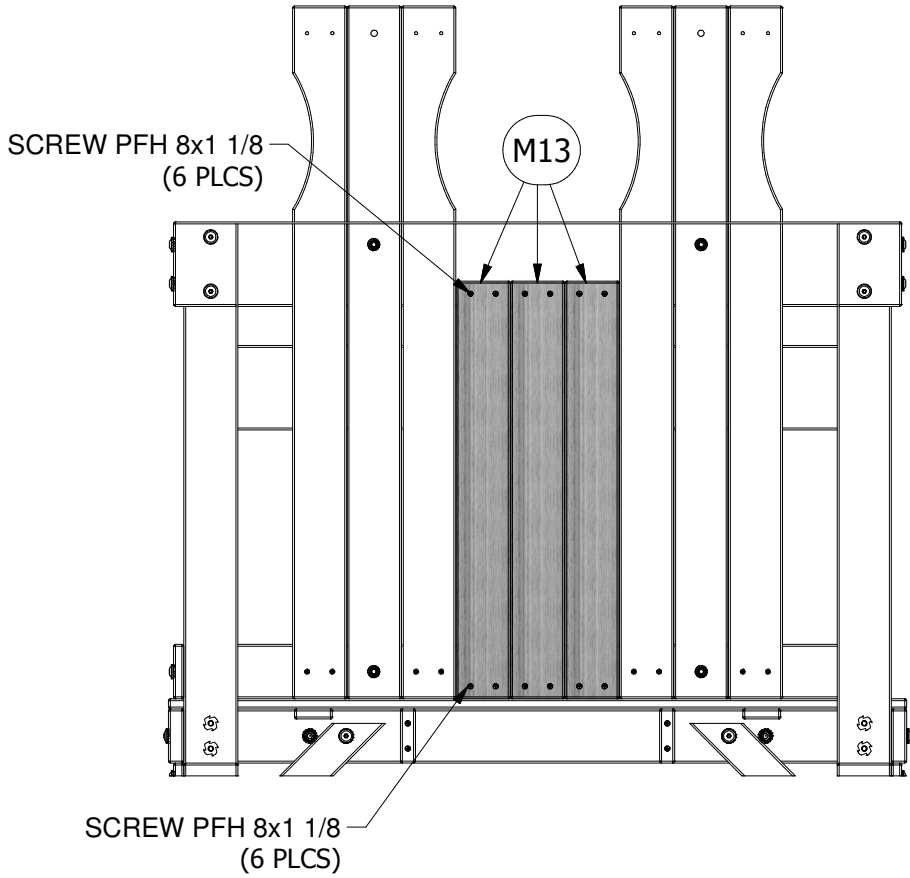
(8) **SCREW PFH**
8x1 1/8

SCREW PFH 8x1 1/8
(8 PLCS)



(3) **M13 - WALL BOARD - W104137**
5/8"x3 3/8"x26 1/8" (16x86x662)

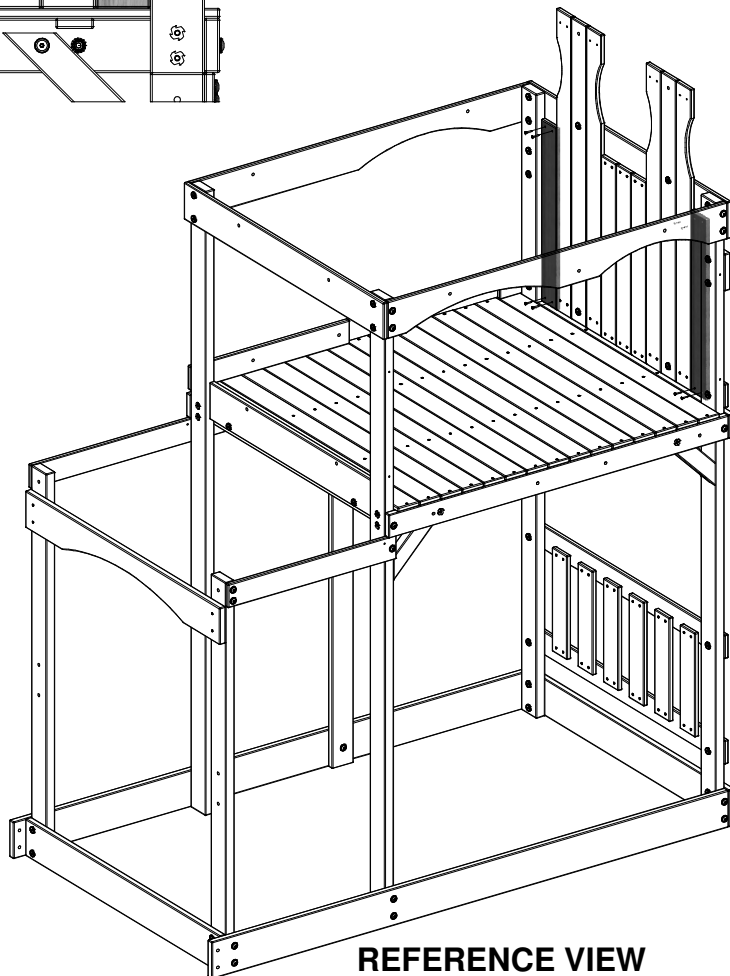
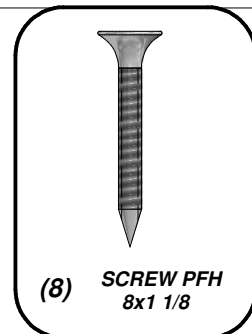
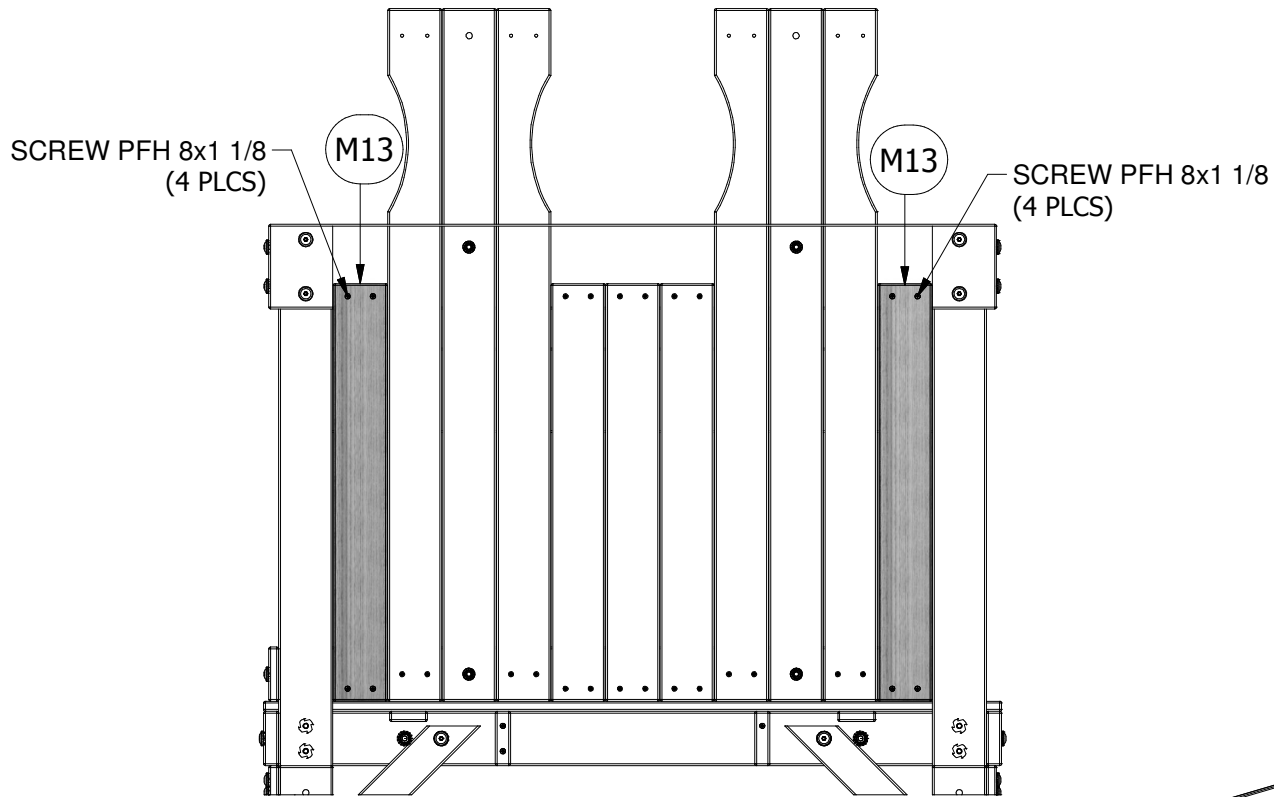
STEP 25





(2) **M13 - WALL BOARD - W104137**
5/8"x3 3/8"x26 1/8" (16x86x662)

STEP 26

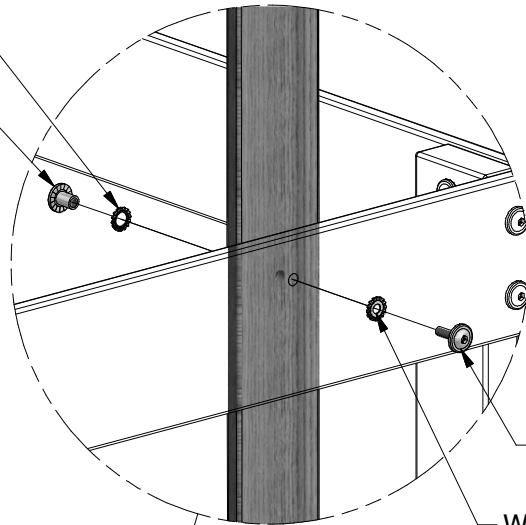




(1) **M22 - LONG ROOF SUPPORT - W104139**
5/8"x3 3/8"x43 1/4" (16x86x1098)

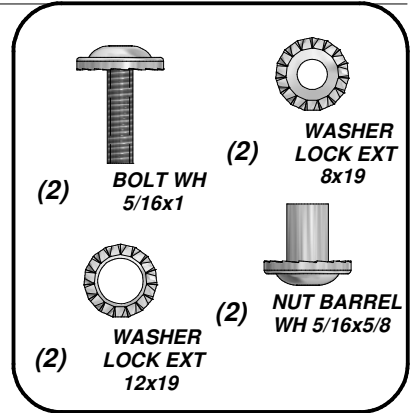
STEP 27

WASHER LOCK EXT 12x19
(1 PLC)
NUT BARREL WH 5/16x5/8
(1 PLC)



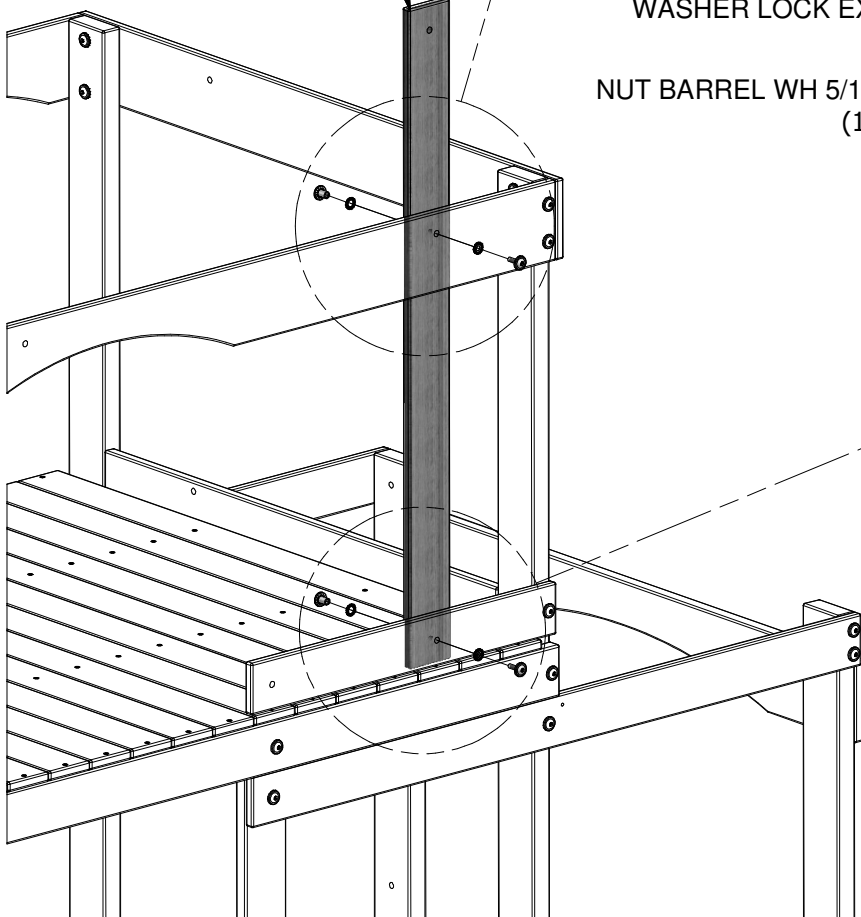
BOLT WH 5/16x1
(1 PLC)

WASHER LOCK EXT 8x19
(1 PLCS)



M22

WASHER LOCK EXT 12x19
(1 PLC)
NUT BARREL WH 5/16x5/8
(1 PLC)

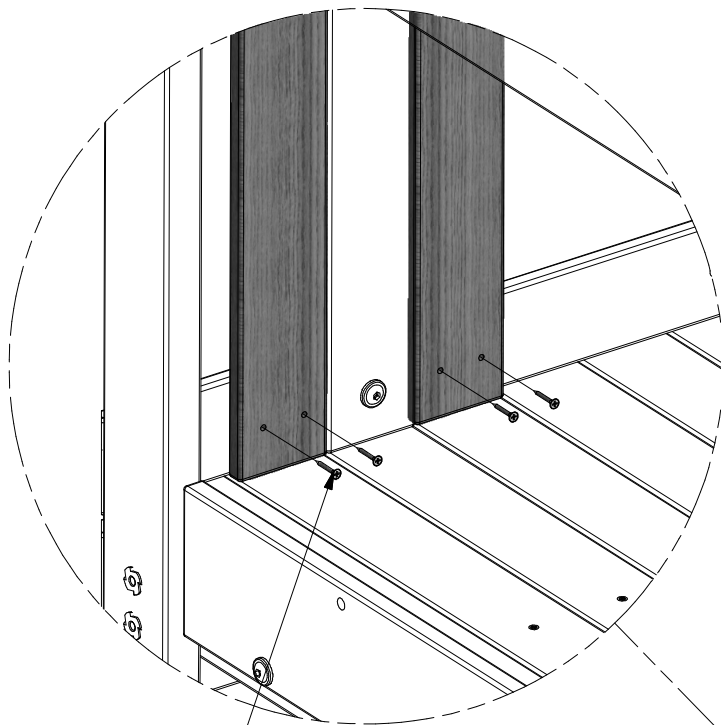
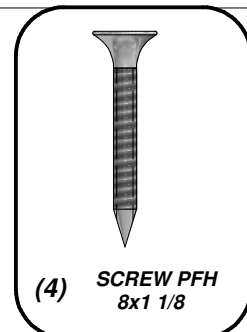


WASHER LOCK EXT 8x19
(1 PLC)
BOLT WH 5/16x1
(1 PLC)

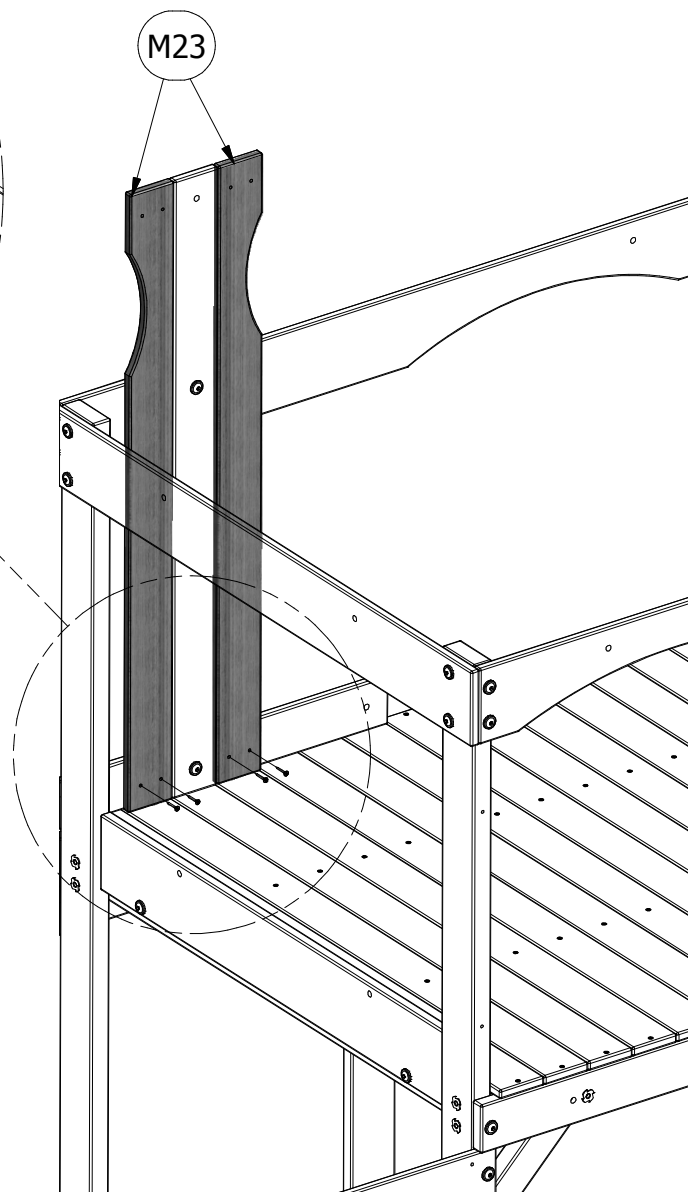


(2) **M23 - LONG ARCH ROOF SUPPORT - W104140**
5/8"x3 3/8"x43 1/4" (16x86x1098)

STEP 28



SCREW PFH 8x1 1/8
(4 PLCS)



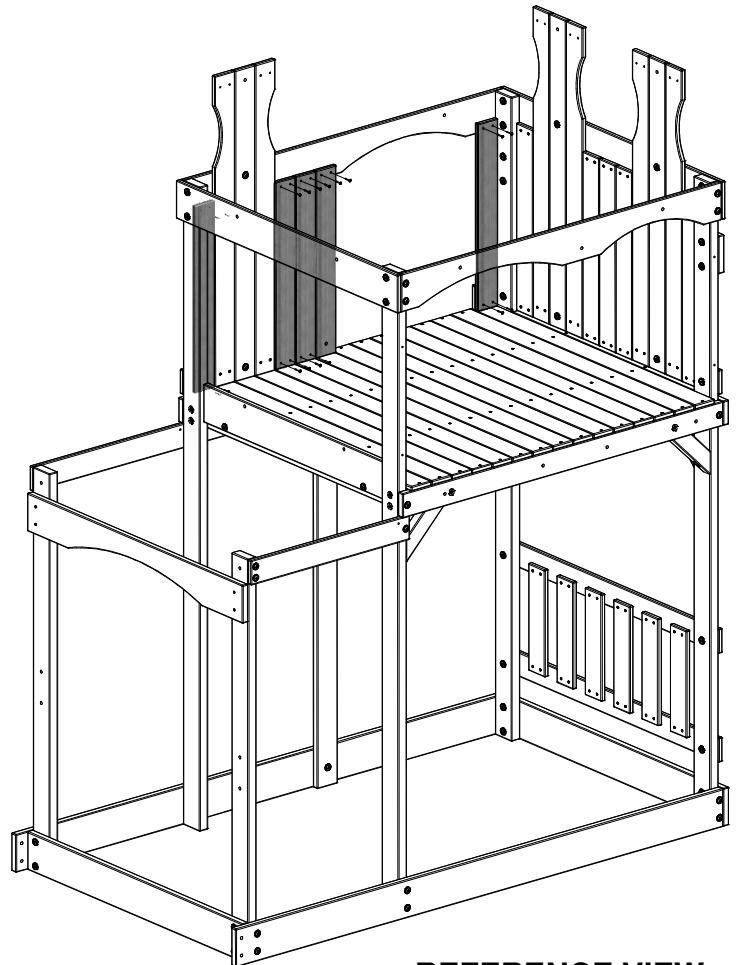
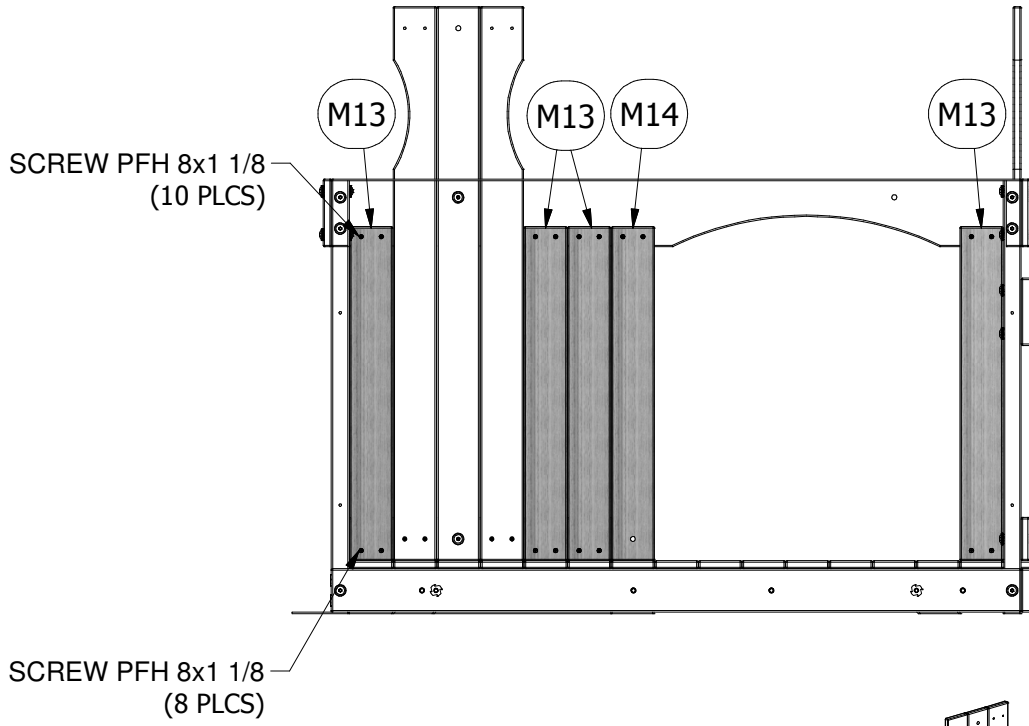
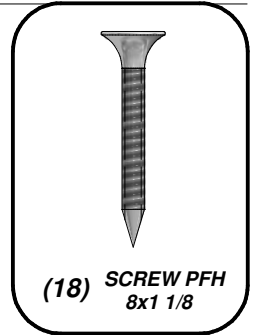


(4) **M13 - WALL BOARD - W104137**
5/8"x3 3/8"x26 1/8" (16x86x662)

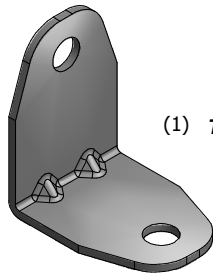


(1) **M14 - WALL BOARD - W104138**
5/8"x3 3/8"x26 1/8" (16x86x662)

STEP 29

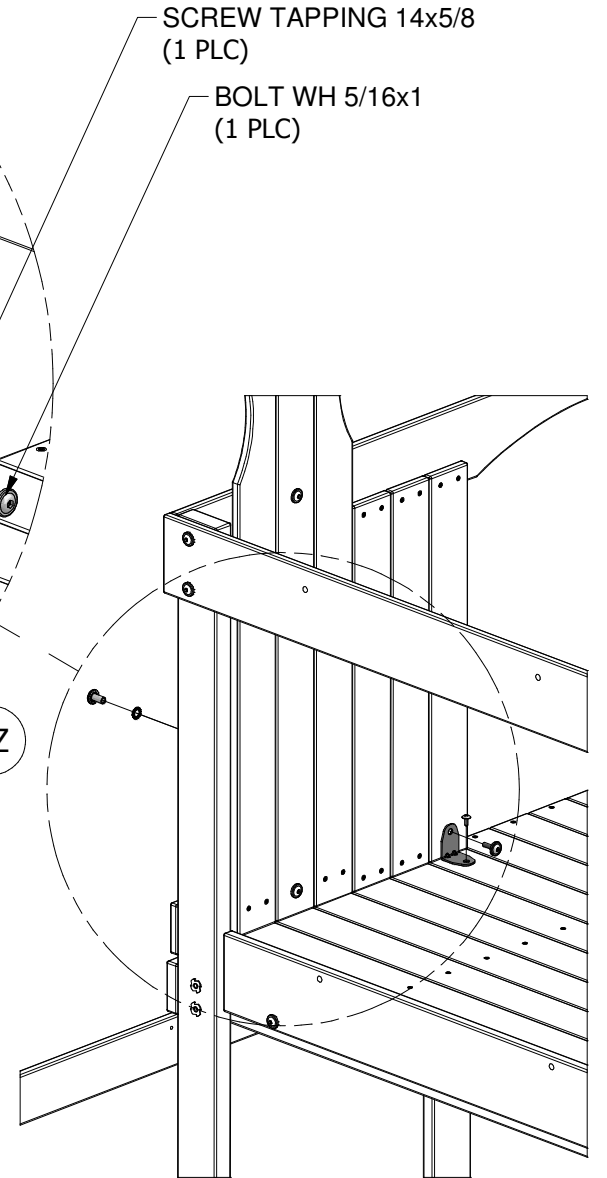
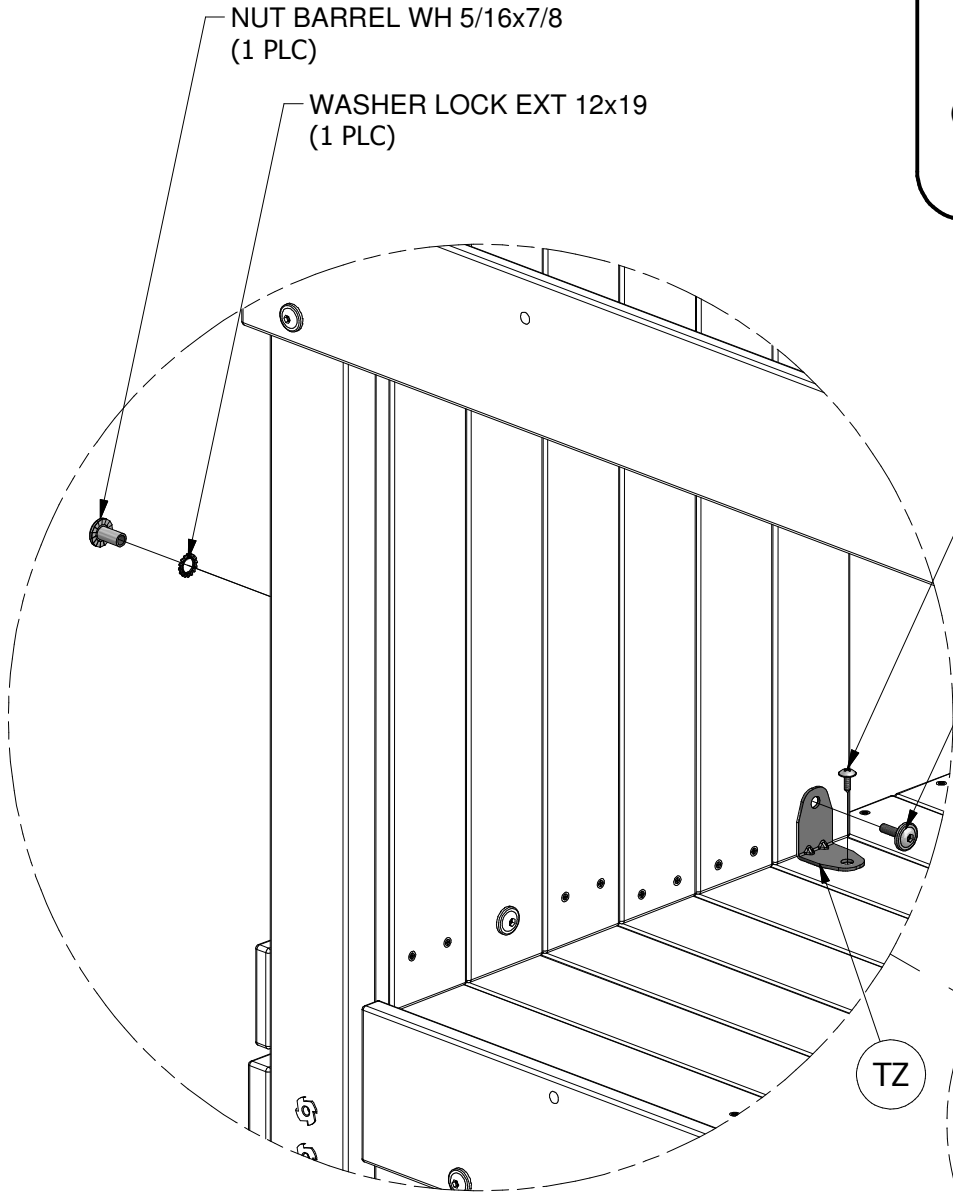
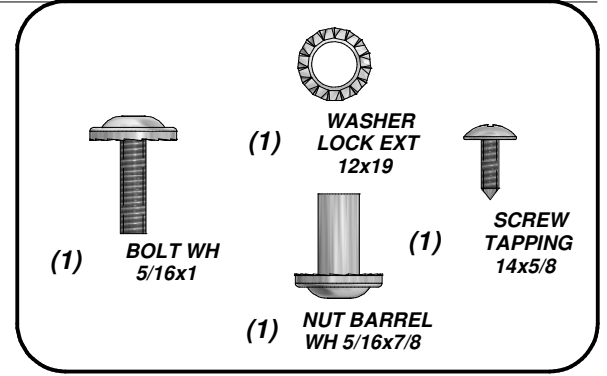


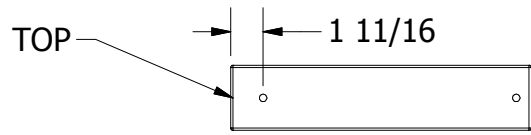
REFERENCE VIEW



(1) TZ - L BRACKET 2.5x38x50x55 - A100340

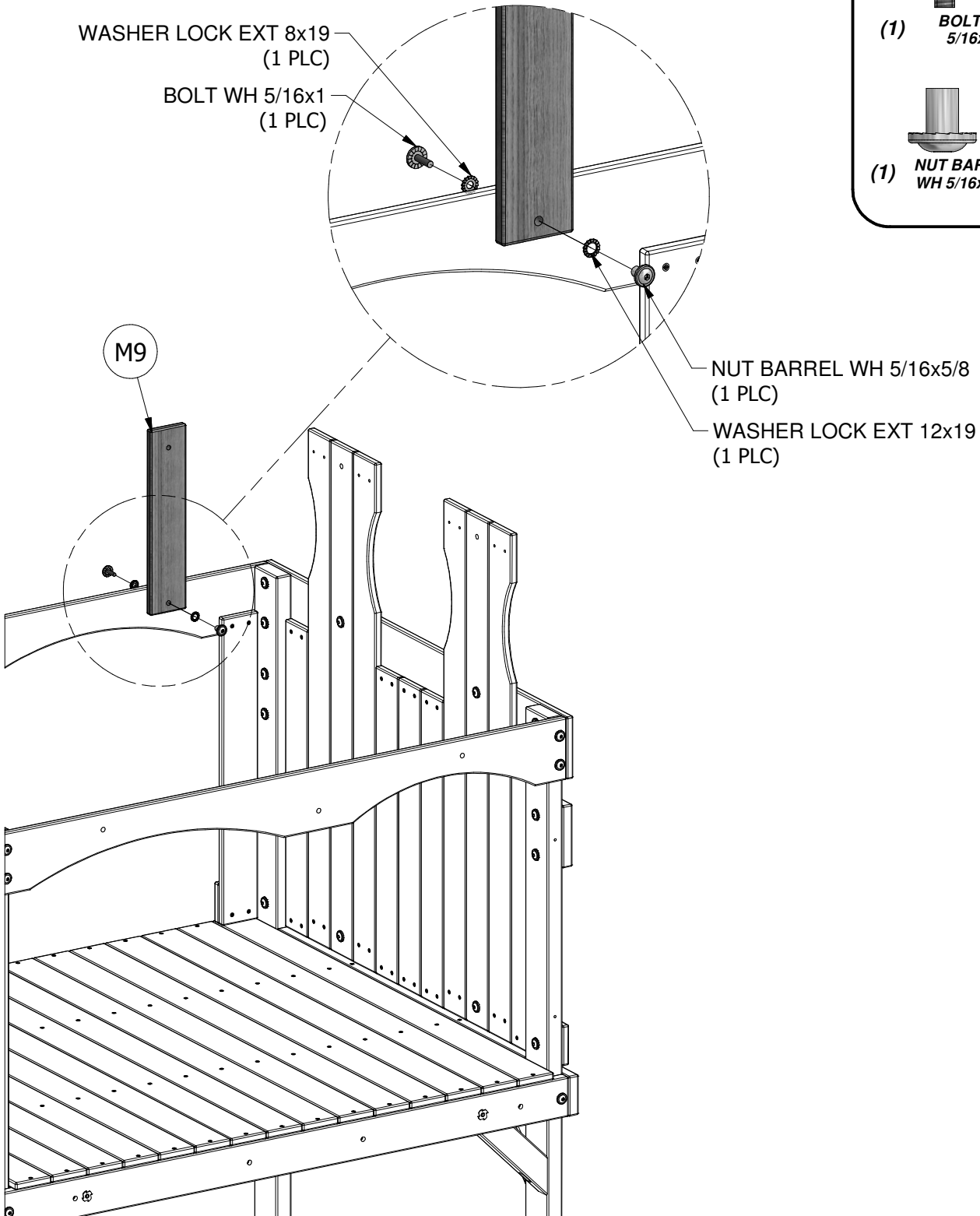
STEP 30


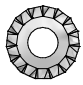




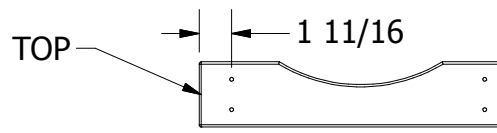


(1) **M9 - SHORT ROOF SUPPORT - W104143**
 5/8"x3 3/8"x15 5/8" (16x86x398)

STEP 31

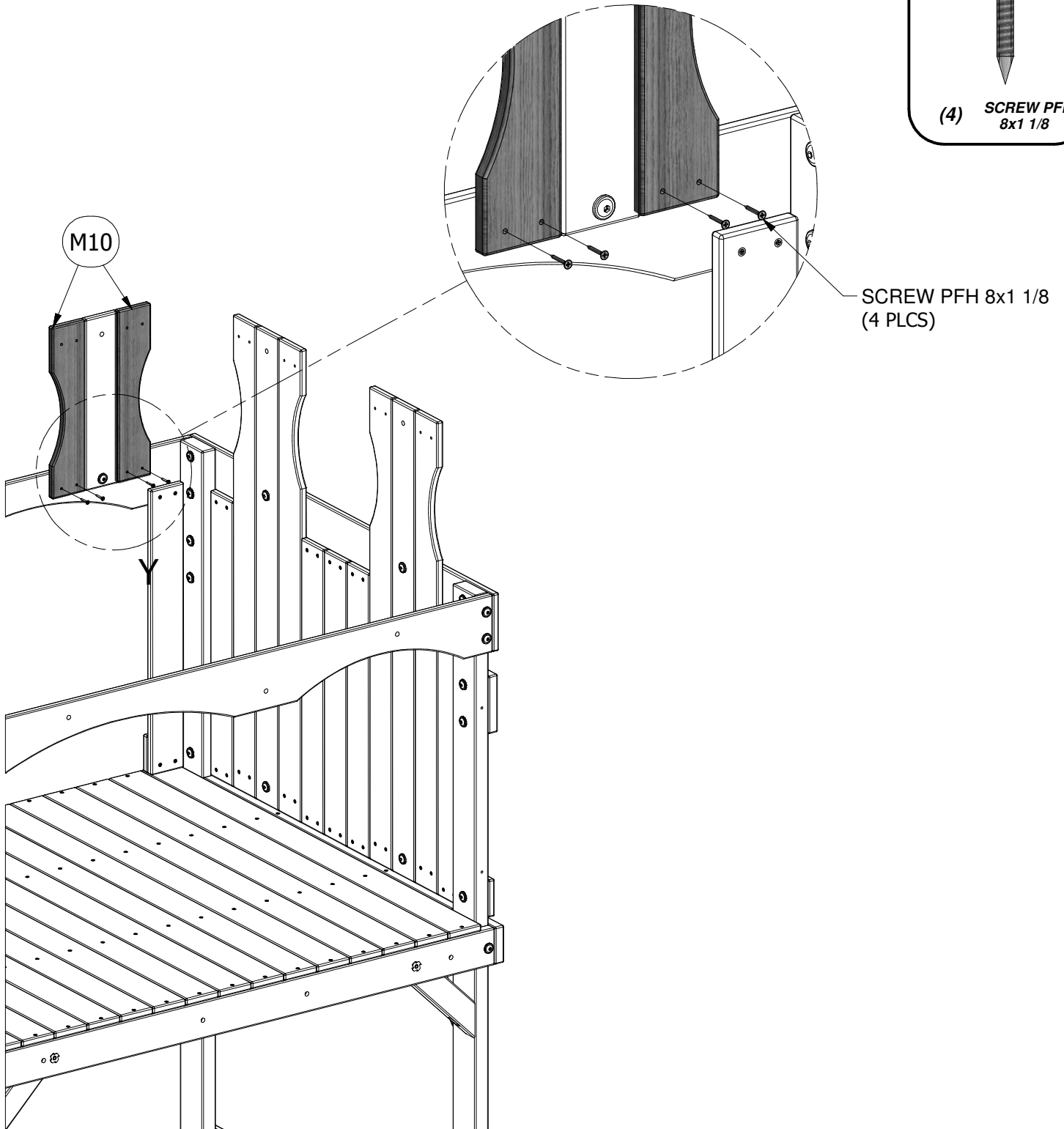
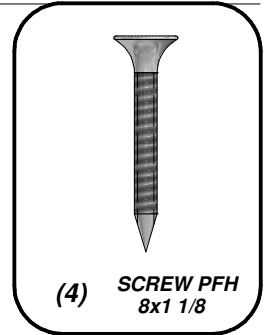


	
(1) BOLT WH 5/16x1	(1) WASHER LOCK EXT 8x19
	
(1) NUT BARREL WH 5/16x5/8	(1) WASHER LOCK EXT 12x19



(2) **M10 - ARCH ROOF SUPPORT - W104144**
5/8"x3 3/8"x15 5/8" (16x86x398)

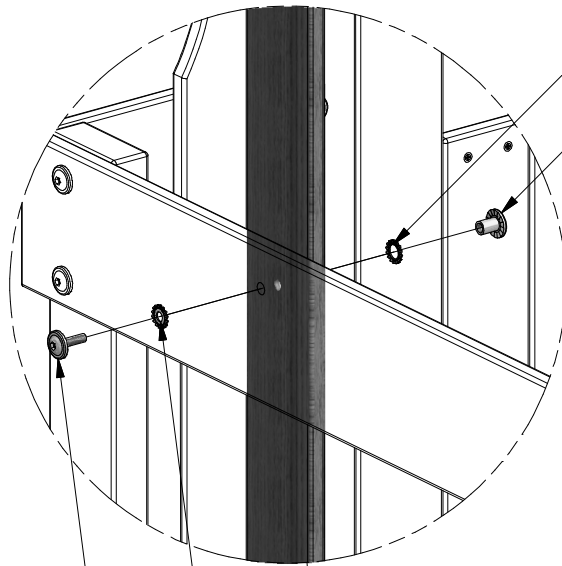
STEP 32



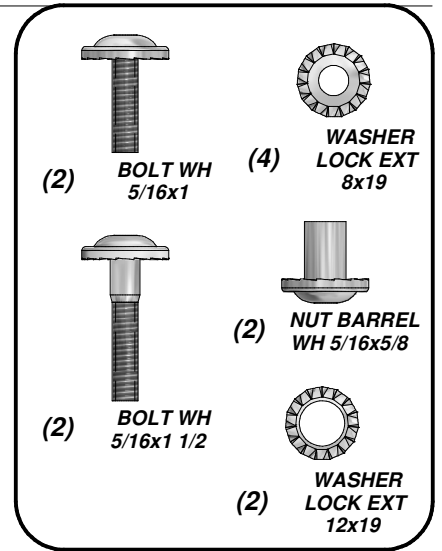


(2) **M22 - LONG ROOF SUPPORT - W104139**
5/8"x3 3/8"x43 1/4" (16x86x1098)

STEP 33



WASHER LOCK EXT 12x19
(2 PLCS)
NUT BARREL WH 5/16x5/8
(2 PLCS)



BOLT WH 5/16x1
(2 PLCS)

WASHER LOCK EXT 8x19
(2 PLCS)

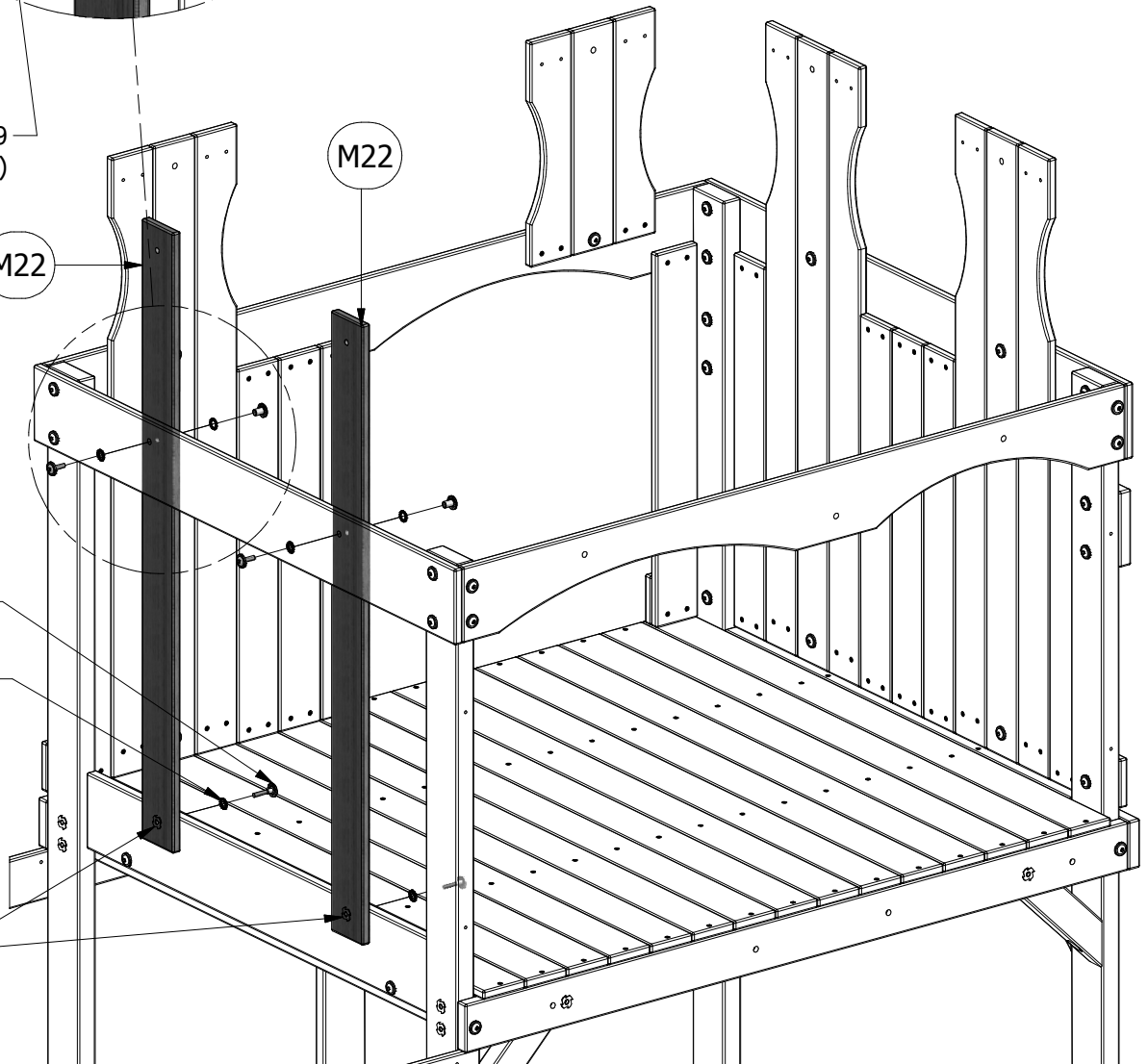
M22

M22

BOLT WH 5/16x1 1/2
(2 PLCS)

WASHER LOCK EXT 8x19
(2 PLCS)

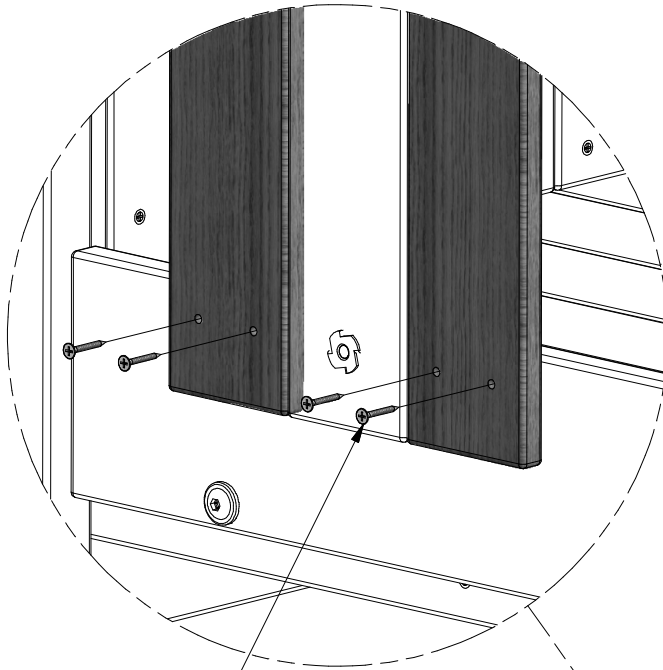
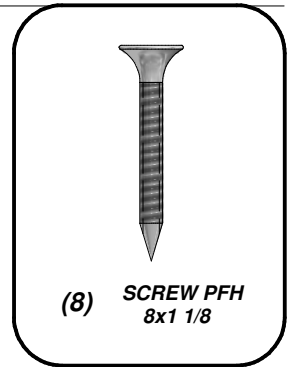
T-NUT FROM
STEP 1.



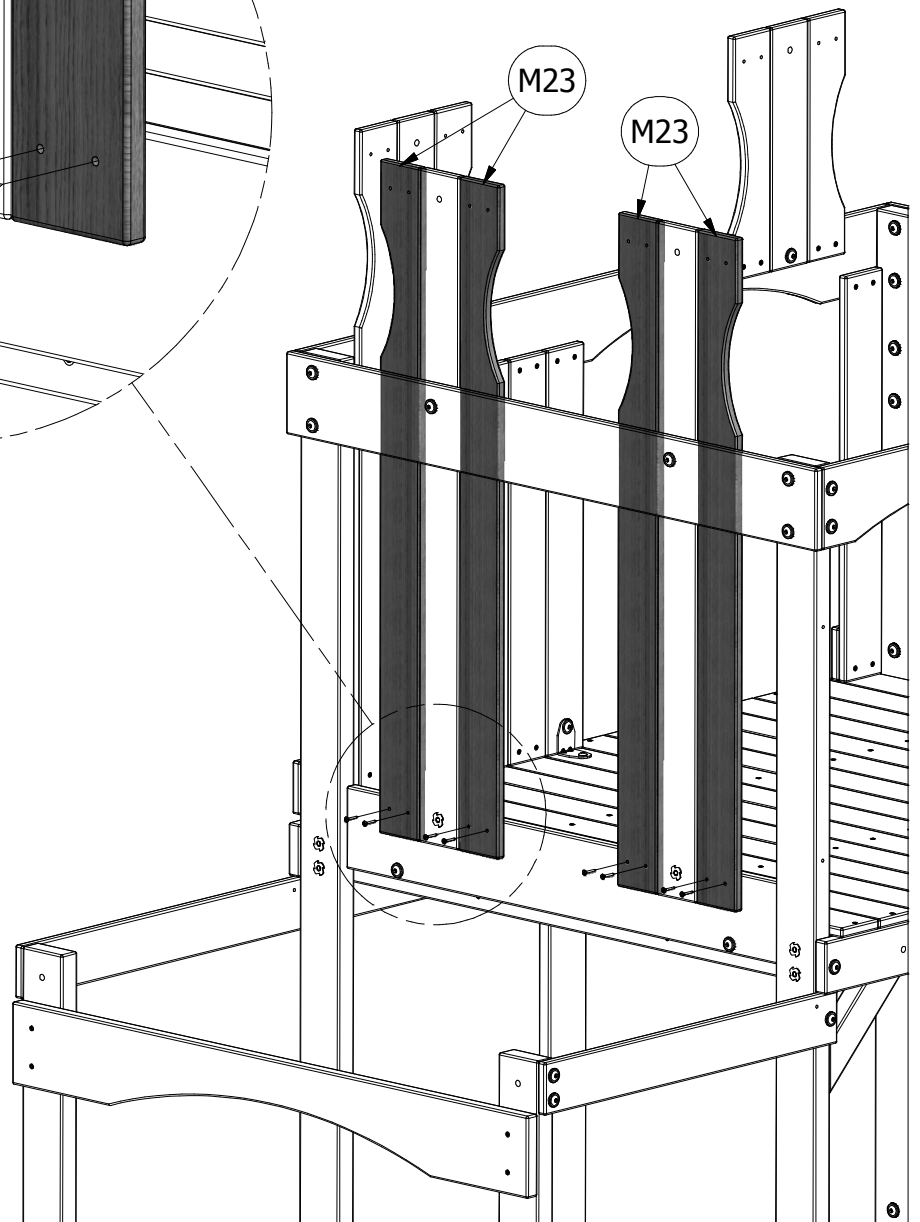


(4) **M23 - LONG ARCH ROOF SUPPORT - W104140**
5/8"x3 3/8"x43 1/4" (16x86x1098)

STEP 34

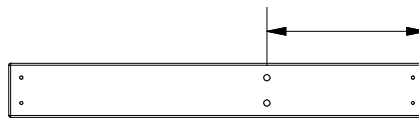


SCREW PFH 8x1 1/8
(8 PLCS)



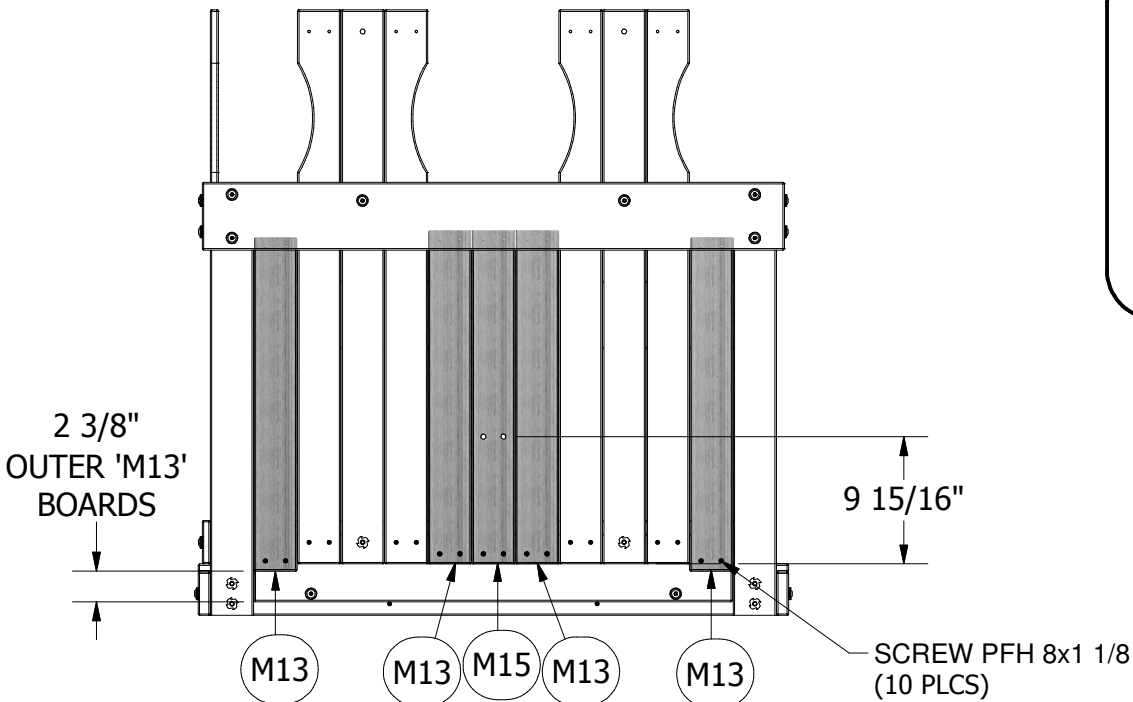
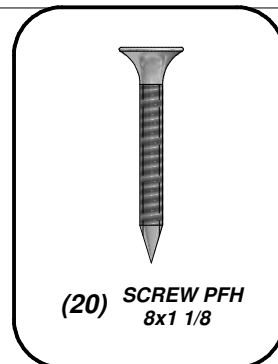


(4) **M13 - WALL BOARD - W104137**
5/8"x3 3/8"x26 1/8" (16x86x662)

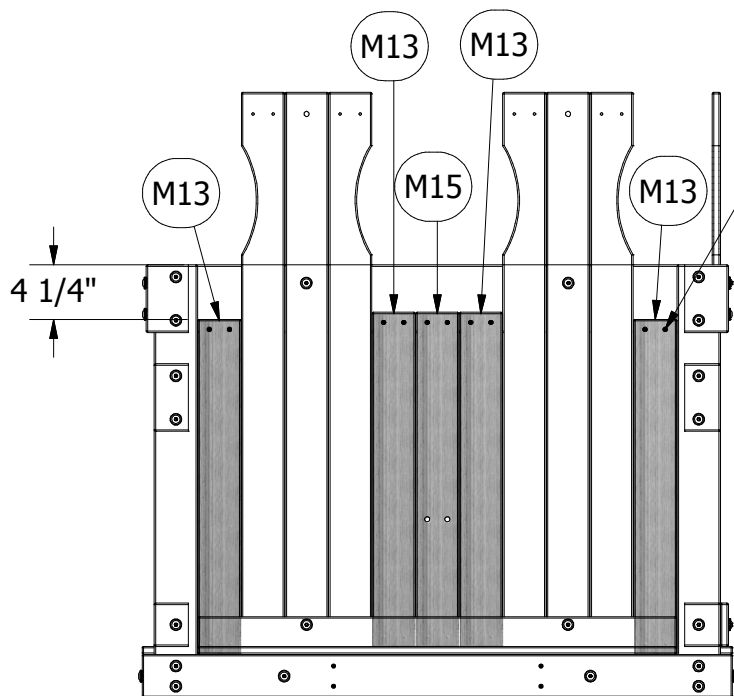


(1) **M15 - WALL BOARD - W104160**
5/8"x3 3/8"x26 1/8" (16x86x662)

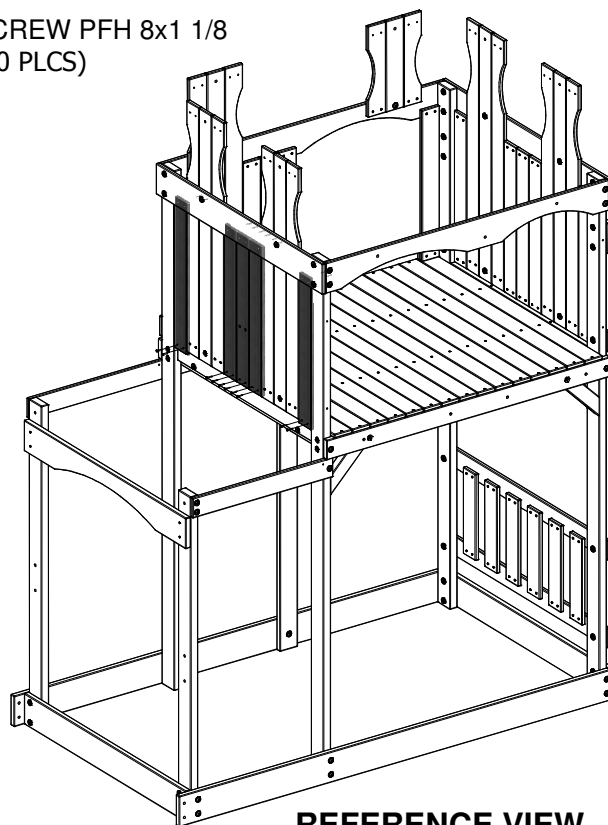
STEP 35



PORCH VIEW



PICKET VIEW



REFERENCE VIEW



(1) **M18 - ENTRANCE WALL BOARD - W104141**
5/8"x3 3/8"x27 7/8" (16x86x708)

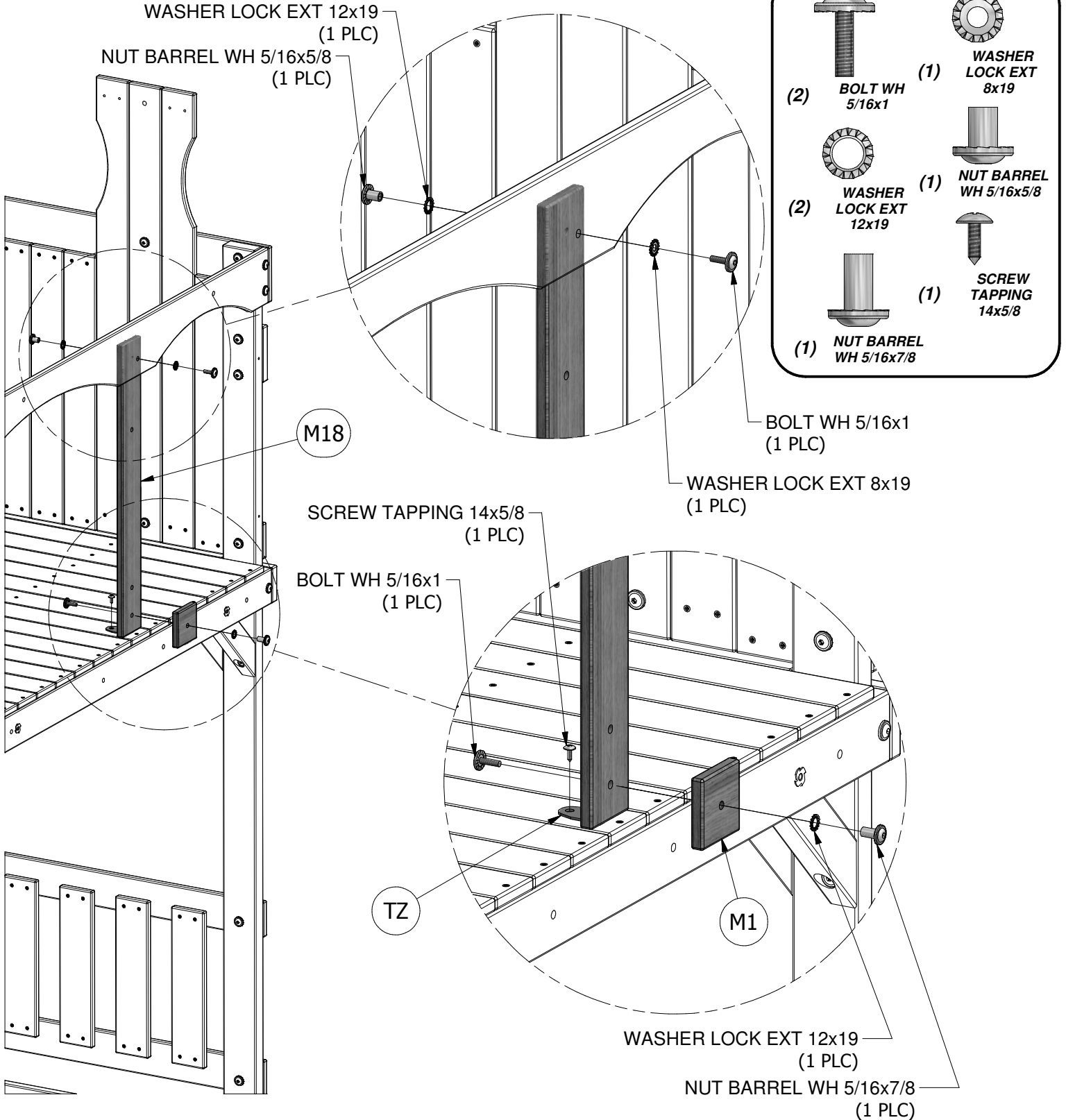


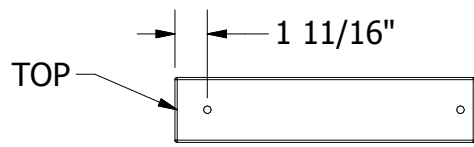
(1) **M1 - DECORATIVE WALL RAIL - W104142**
5/8"x3 3/8"x3 3/8" (16x86x86)



(1) **TZ - L BRACKET 2.5x38x50x55 - A100340**

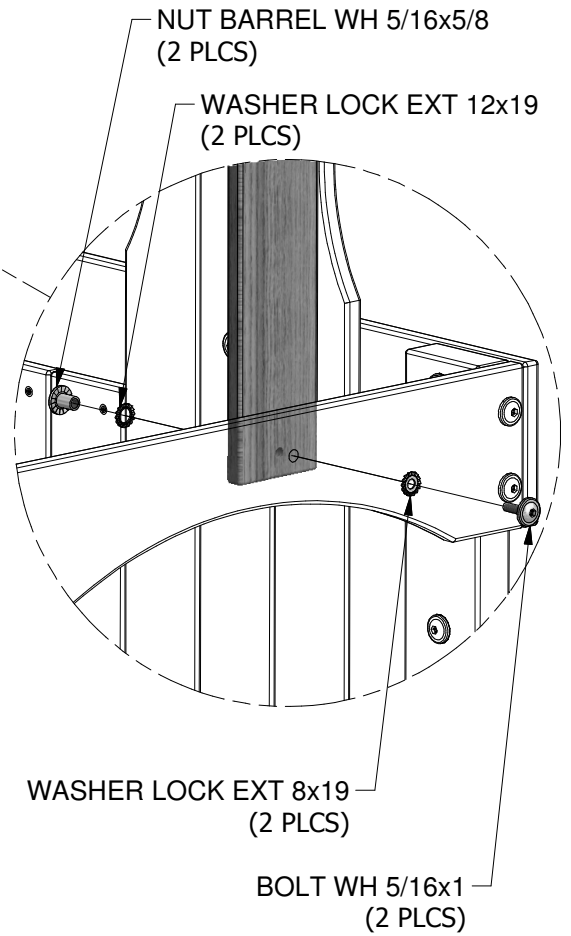
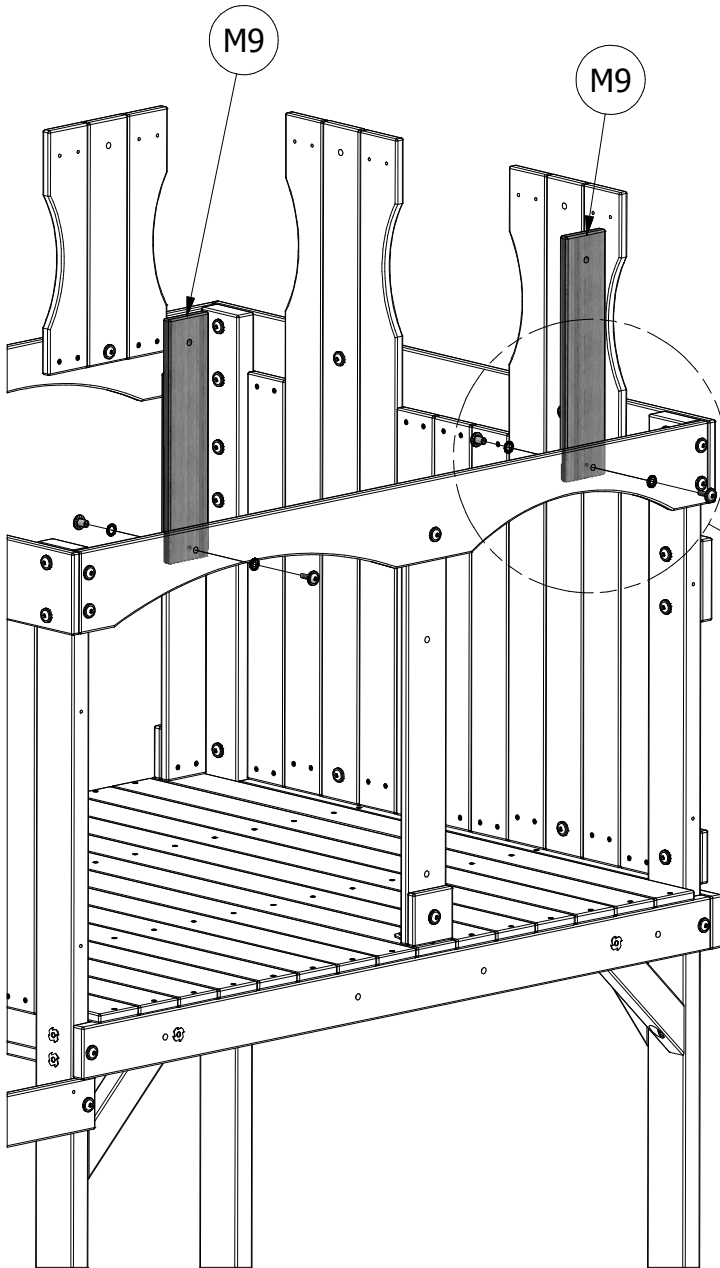
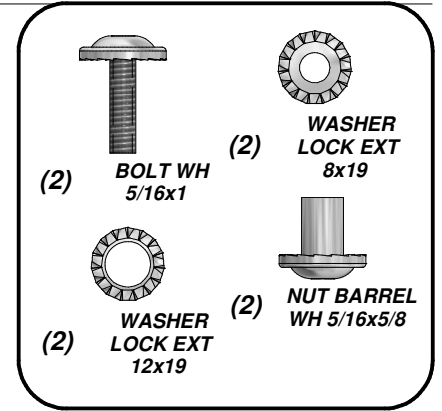
STEP 36

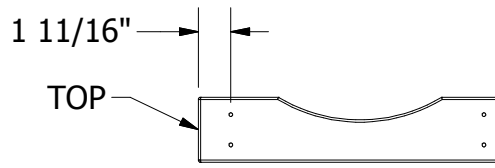




(2) **M9 - SHORT ROOF SUPPORT - W104143**
 5/8"x3 3/8"x15 5/8" (16x86x398)

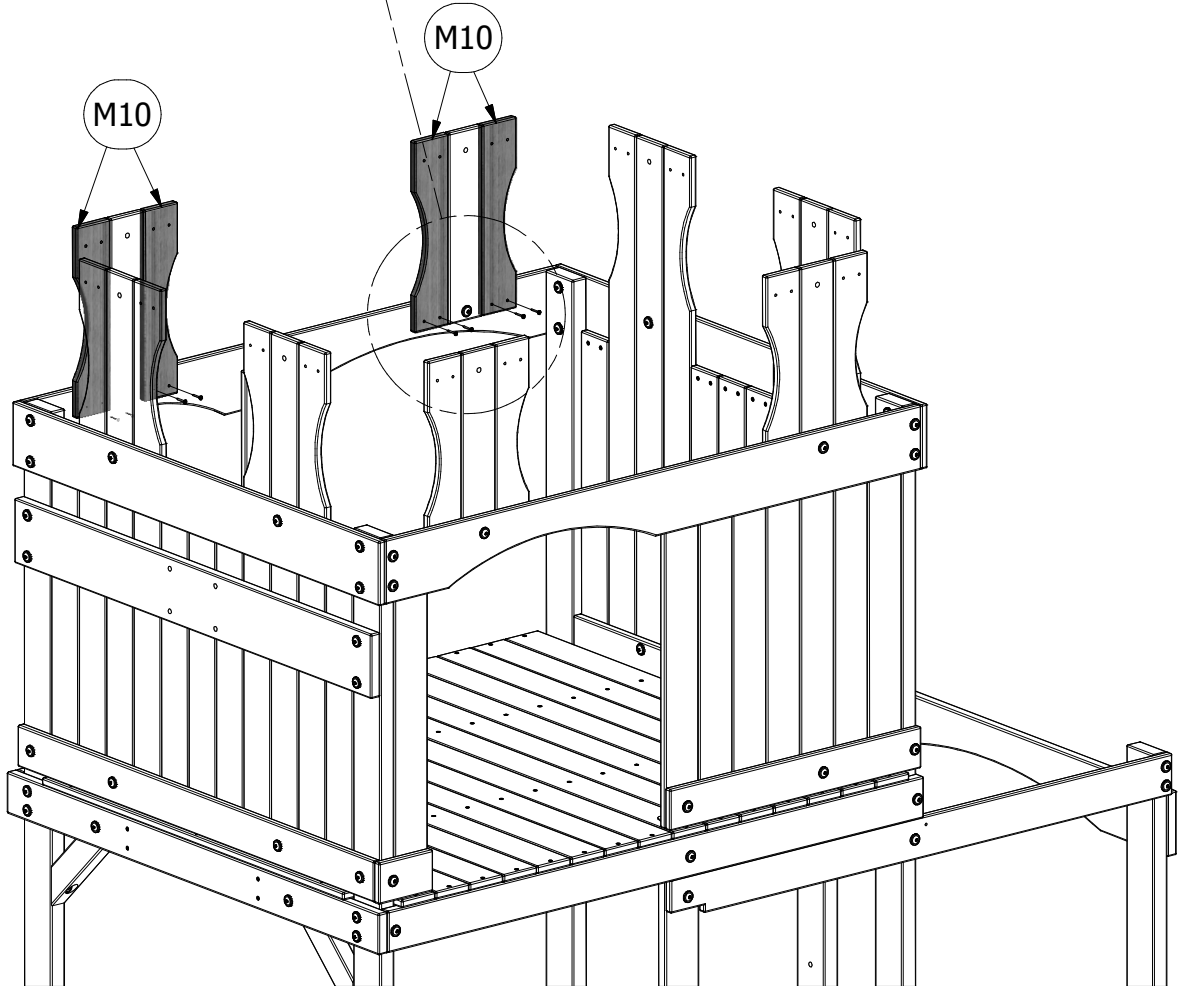
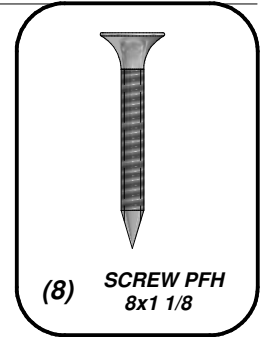
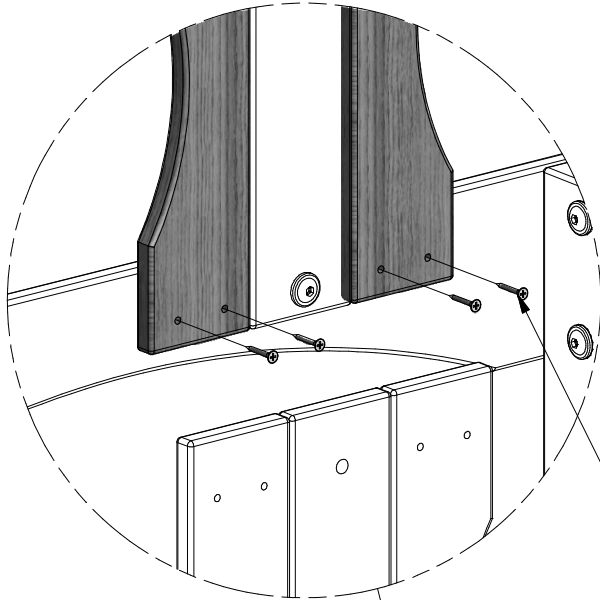
STEP 37





(4) **M10 - ARCH ROOF SUPPORT - W104144**
 5/8"x3 3/8"x15 5/8" (16x86x398)

STEP 38

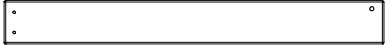




(4) **M29 - WALL BOARD - W104125**
5/8"x3 3/8"x57 1/4" (16x86x1454)



(2) **M6 - UPPER WALL BOARD - W104128**
5/8"x3 3/8"x11 7/8" (16x86x302)



(2) **M19 - LOWER WALL BOARD - W104126**
5/8"x3 3/8"x29 5/8" (16x86x754)

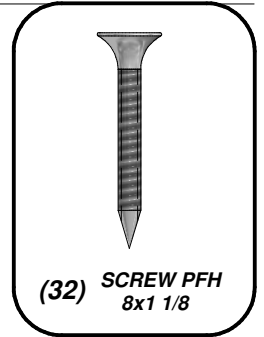
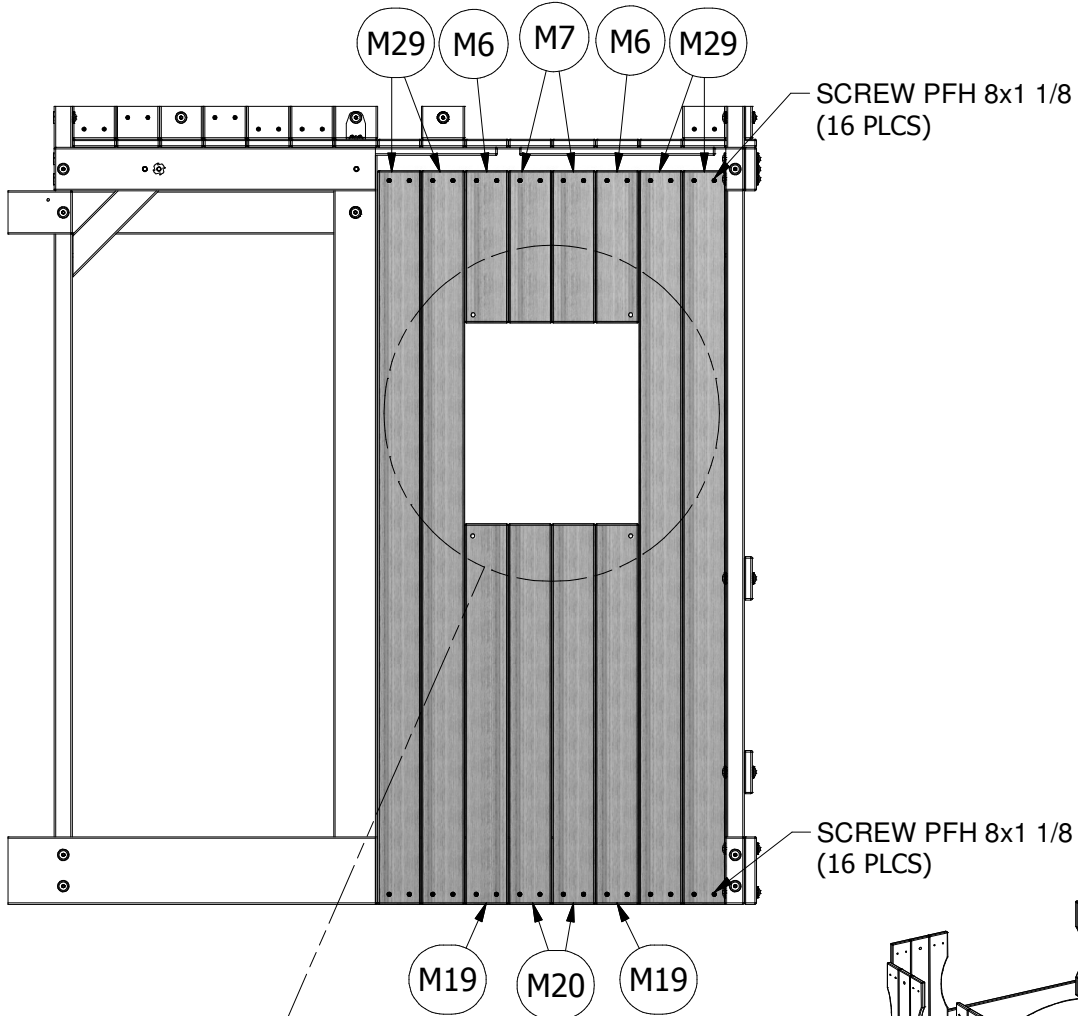


(2) **M20 - LOWER WALL BOARD - W104127**
5/8"x3 3/8"x29 5/8" (16x86x754)

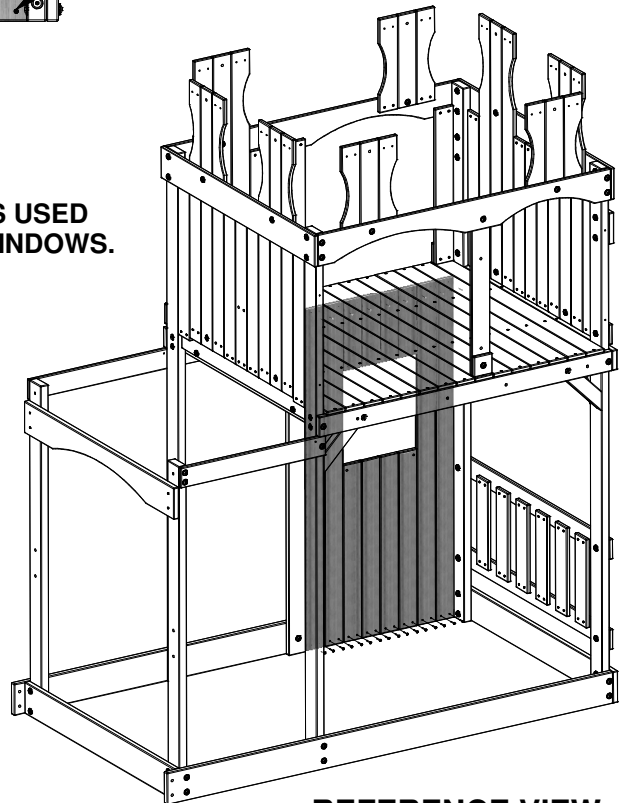
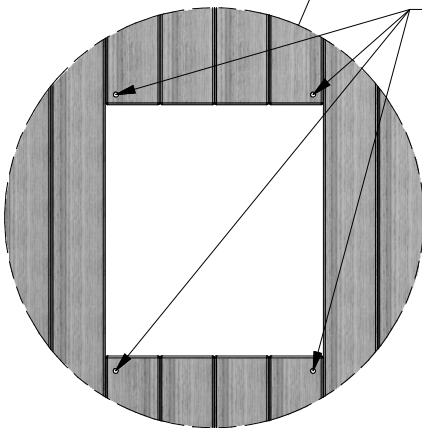


(2) **M7 - UPPER WALL BOARD - W104129**
5/8"x3 3/8"x11 7/8" (16x86x302)

STEP 39



NOTE HOLE LOCATIONS USED TO INSTALL PLASTIC WINDOWS.

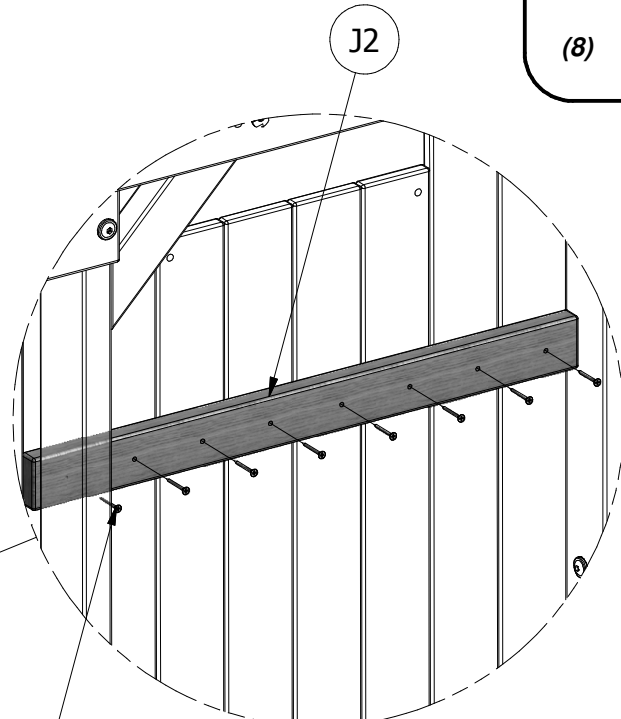
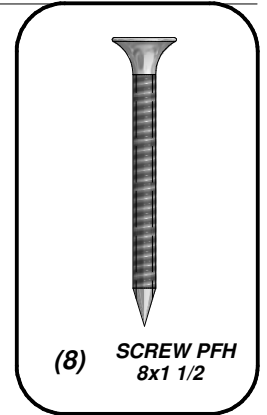
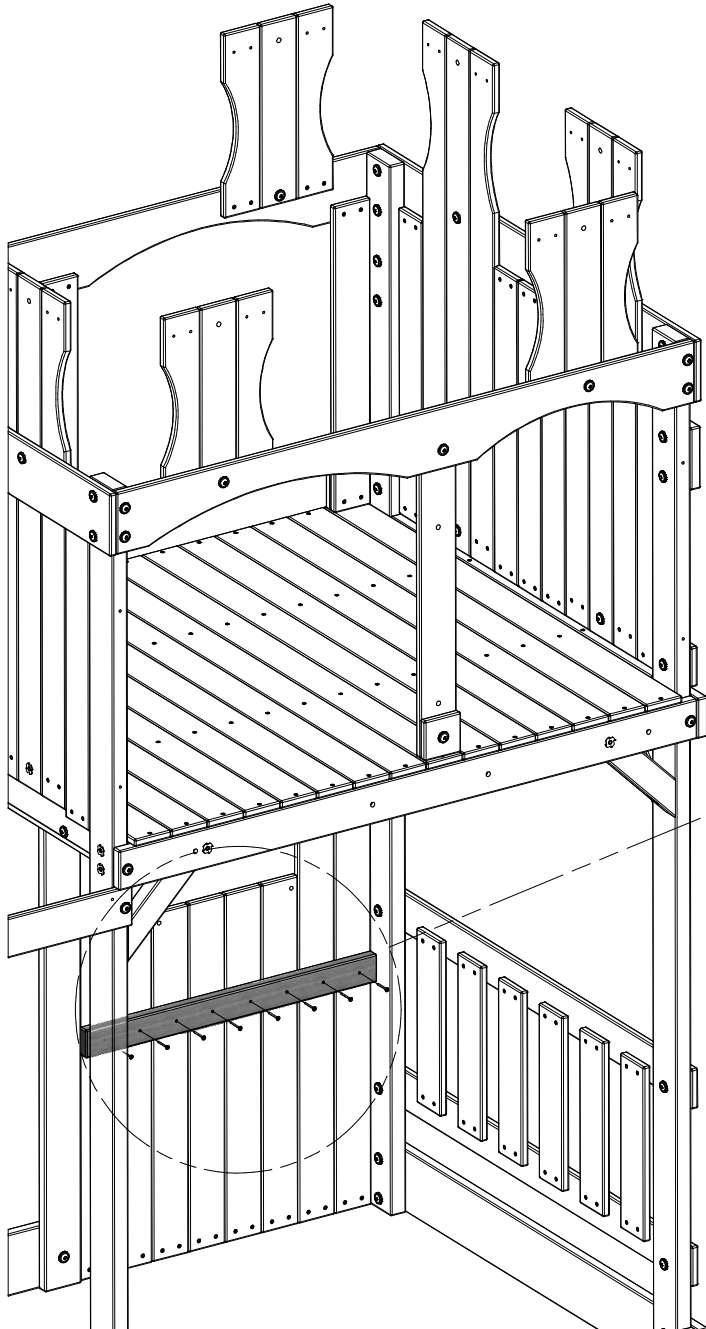


REFERENCE VIEW

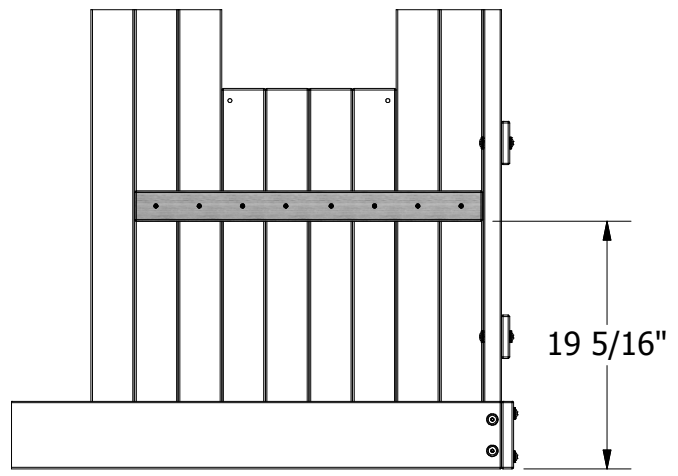


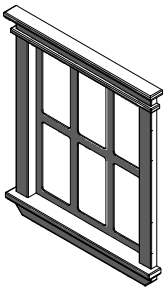
(1) **J2 - WALL RAIL - W104181**
1"x2 3/8"x27 1/8" (24x60x690)

STEP 40

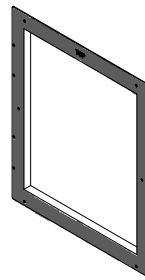


SCREW PFH 8x1 1/2
(8 PLCS)



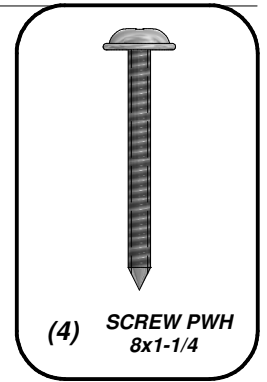


(1) SX - PLASTIC WINDOW 44x412x485 - A100321

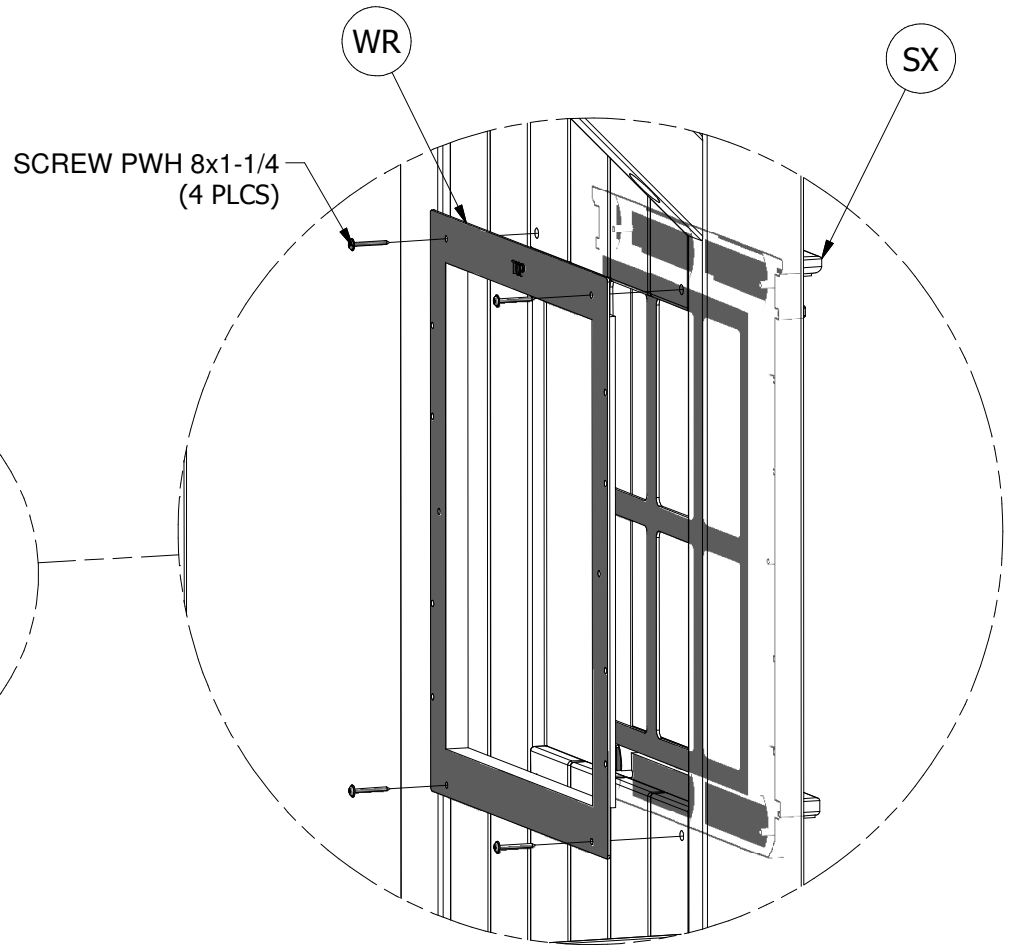
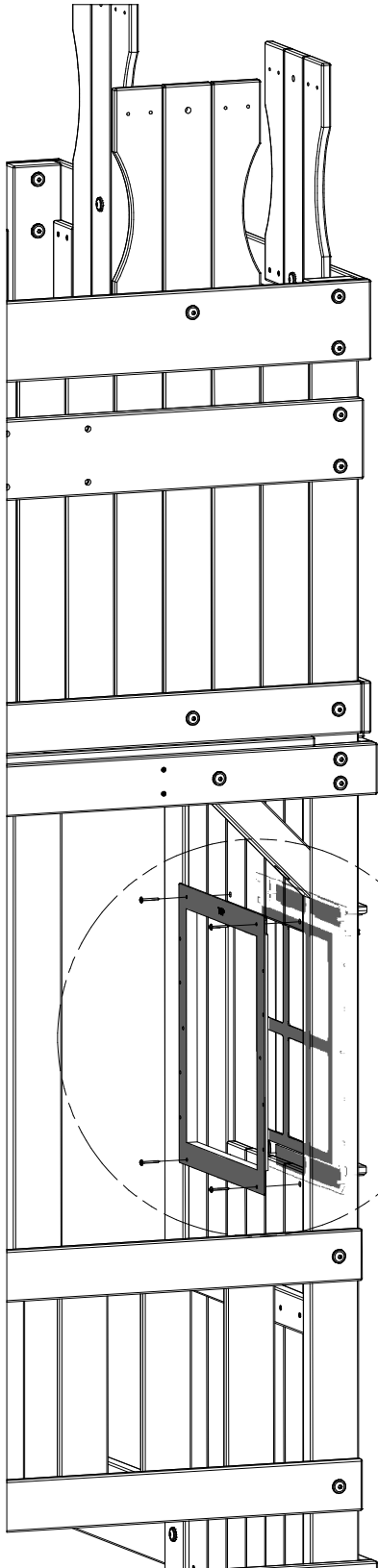


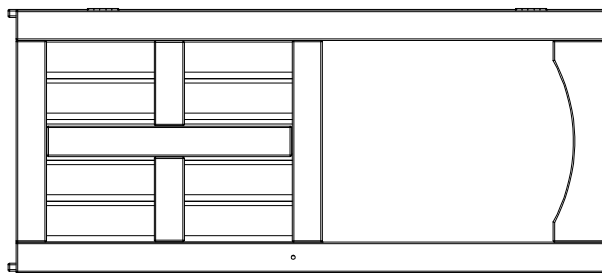
(1) WR - LARGE PLASTIC WINDOW TRIM - A100365

STEP 41



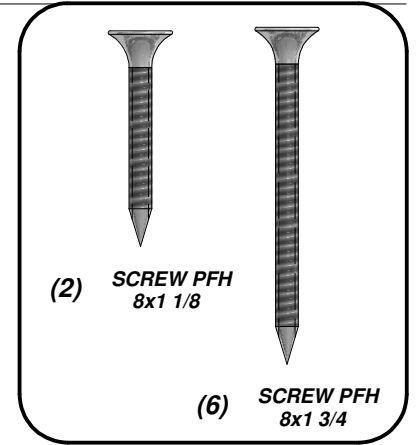
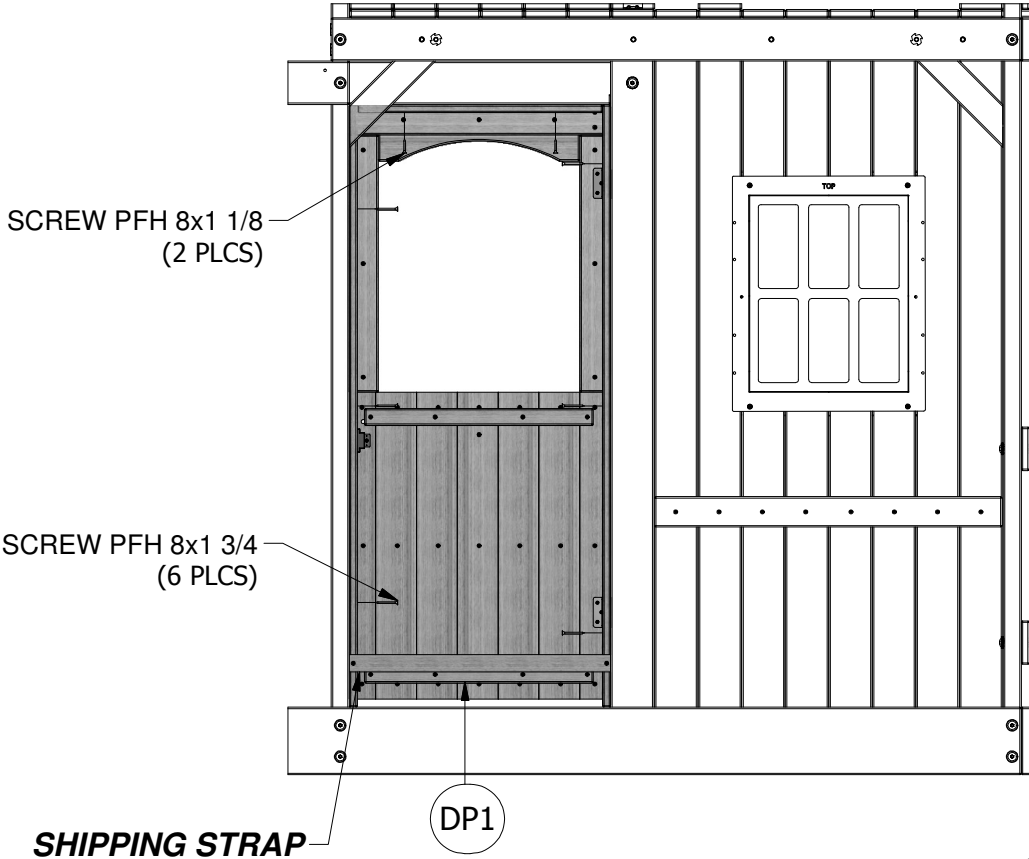
(4) SCREW PWH
8x1-1/4





(1) DP1 - DOOR PANEL - W104183

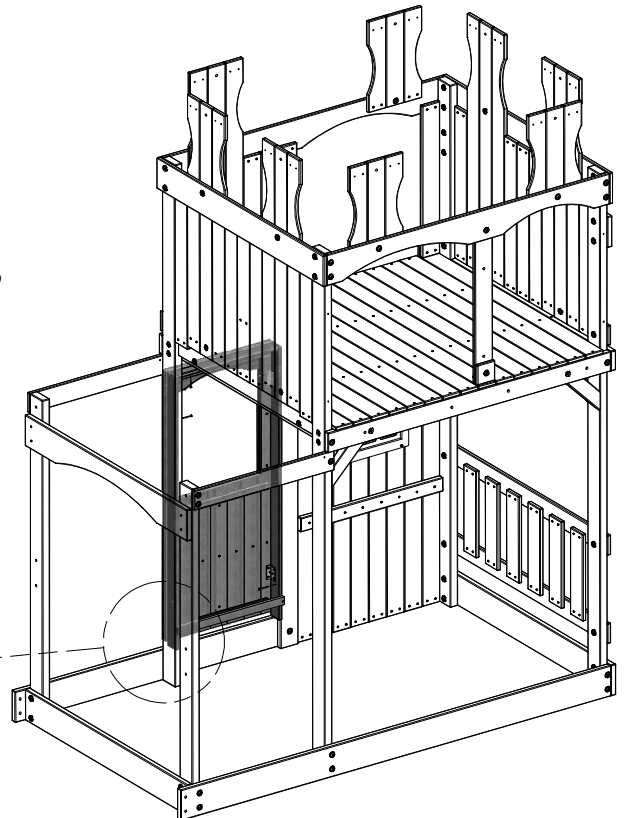
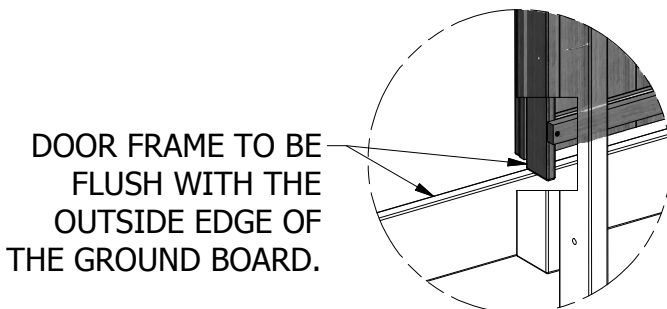
STEP 42



SPECIAL NOTE

AFTER DOOR PANEL IS COMPLETELY INSTALLED, REMOVE SHIPPING STRAP AND 1-3/4" WOOD SCREWS FROM DOOR ASSEMBLY. SHIPPING STRAP FOR SHIPPING PURPOSES ONLY.

***SHIPPING STRAP MAY NEED TO BE REMOVED FIRST TO AID IN FIT UP.**



REFERENCE VIEW



(2) **M4 - UPPER WALL BOARD - W104131**
5/8"x3 3/8"x8 1/2" (16x86x216)

(2) **M5 - UPPER WALL BOARD - W104132**
5/8"x3 3/8"x8 1/2" (16x86x216)

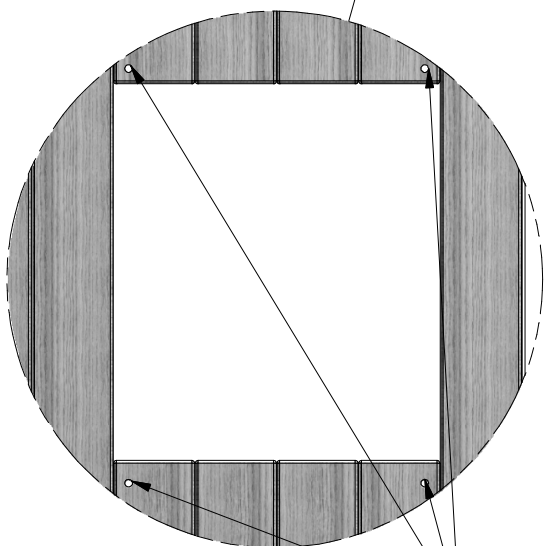
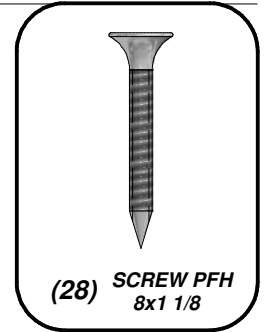
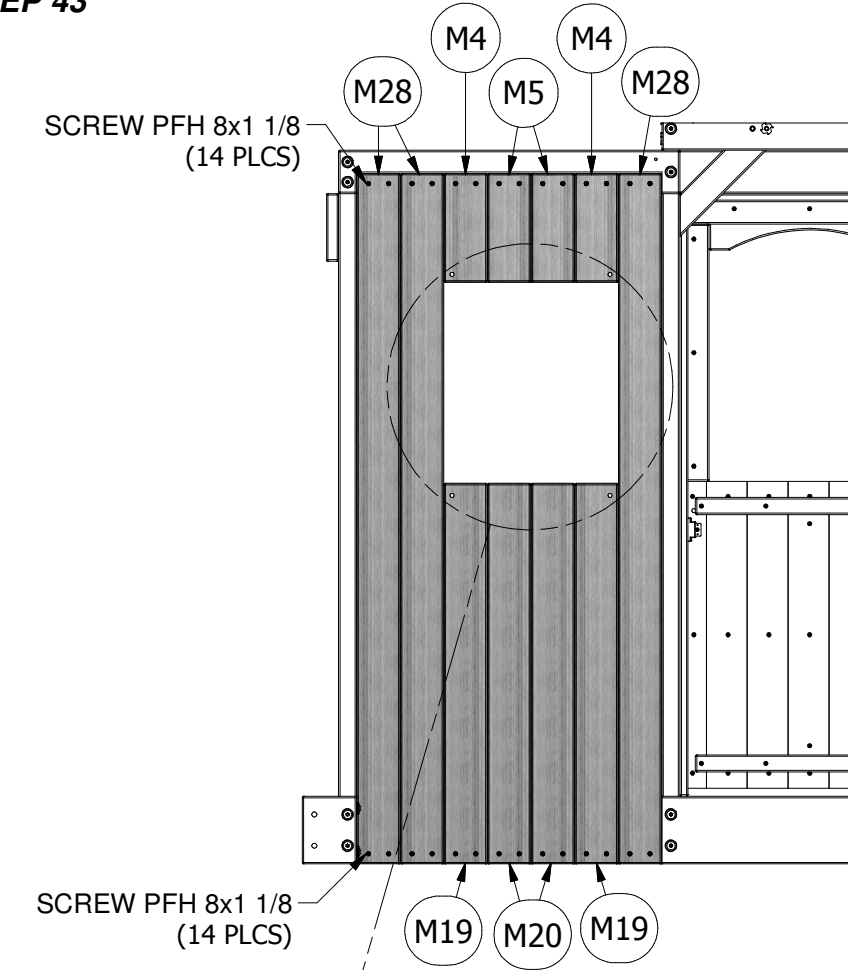
(2) **M20 - LOWER WALL BOARD - W104127**
5/8"x3 3/8"x29 5/8" (16x86x754)



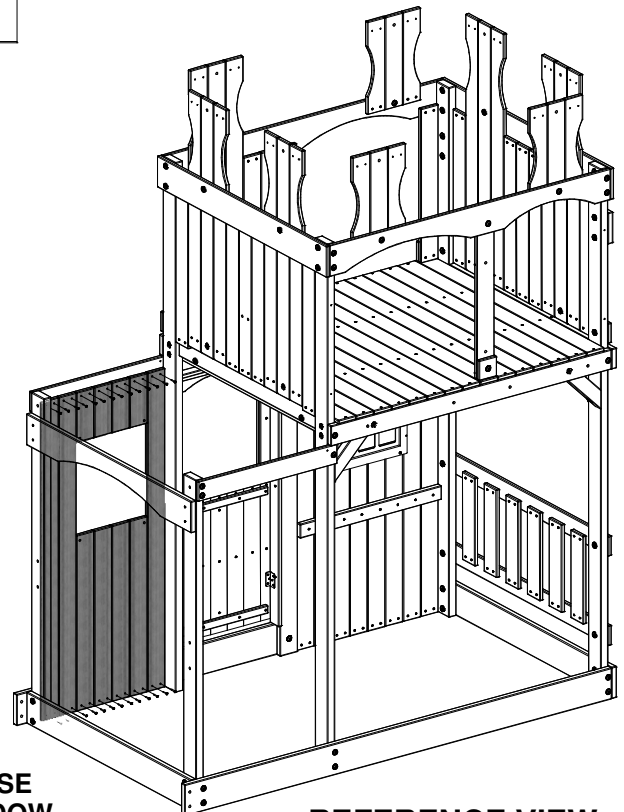
(2) **M19 - LOWER WALL BOARD - W104126**
5/8"x3 3/8"x29 5/8" (16x86x754)

(3) **M28 - WALL BOARD - W104130**
5/8"x3 3/8"x53 7/8" (16x86x1368)

STEP 43



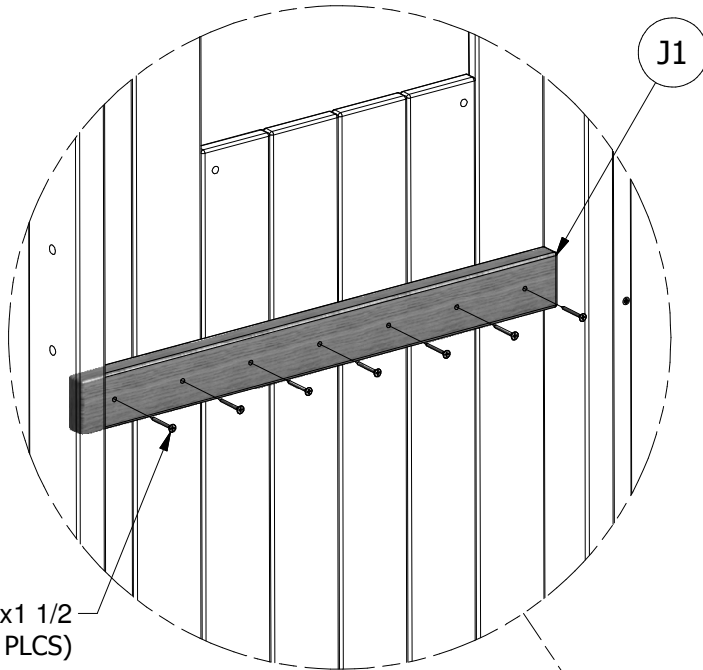
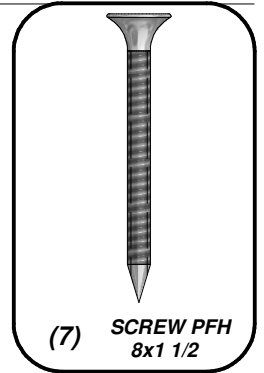
NOTE HOLE LOCATIONS USE TO INSTALL PLASTIC WINDOW.



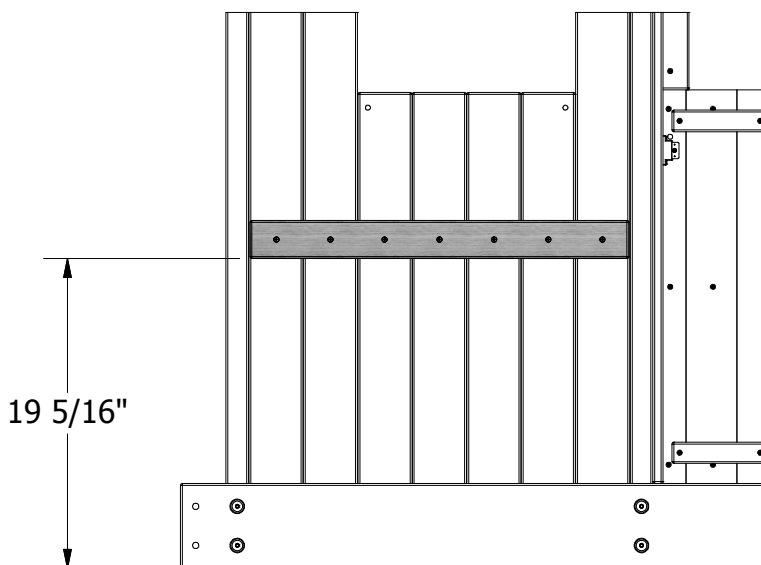


(1) **J1 - WALL RAIL - W104180**
1"x2 3/8"x23 3/4" (24x60x602)

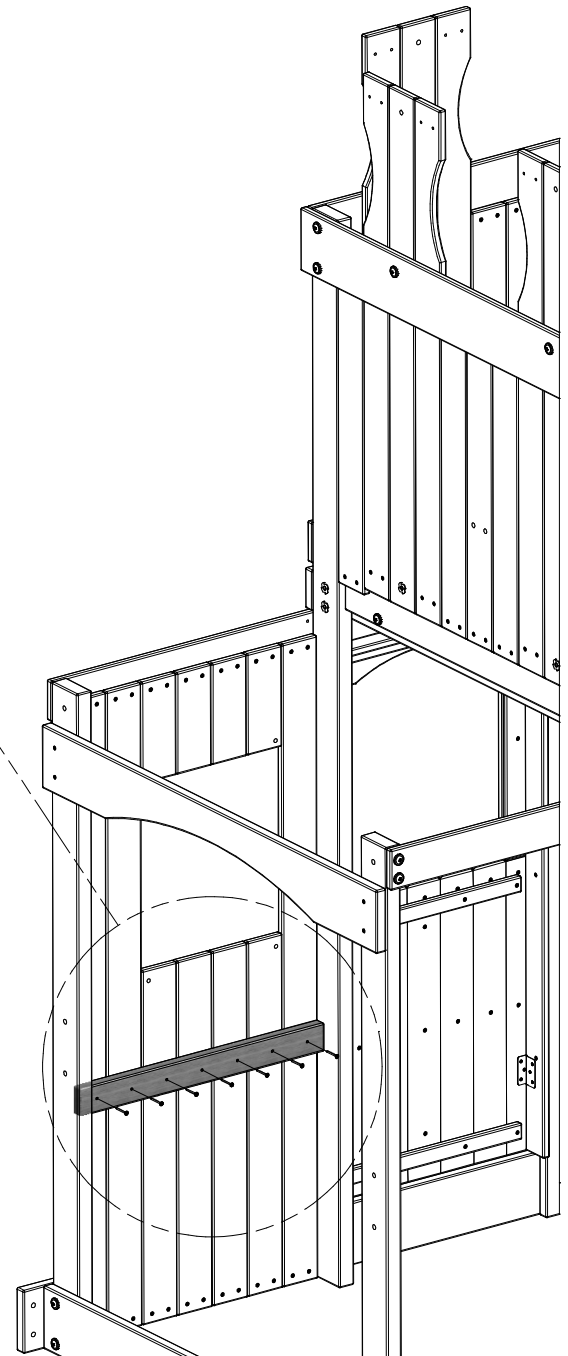
STEP 44

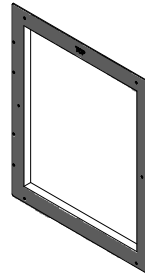
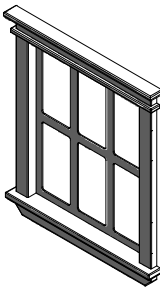


SCREW PFH 8x1 1/2
(7 PLCS)



19 5/16"

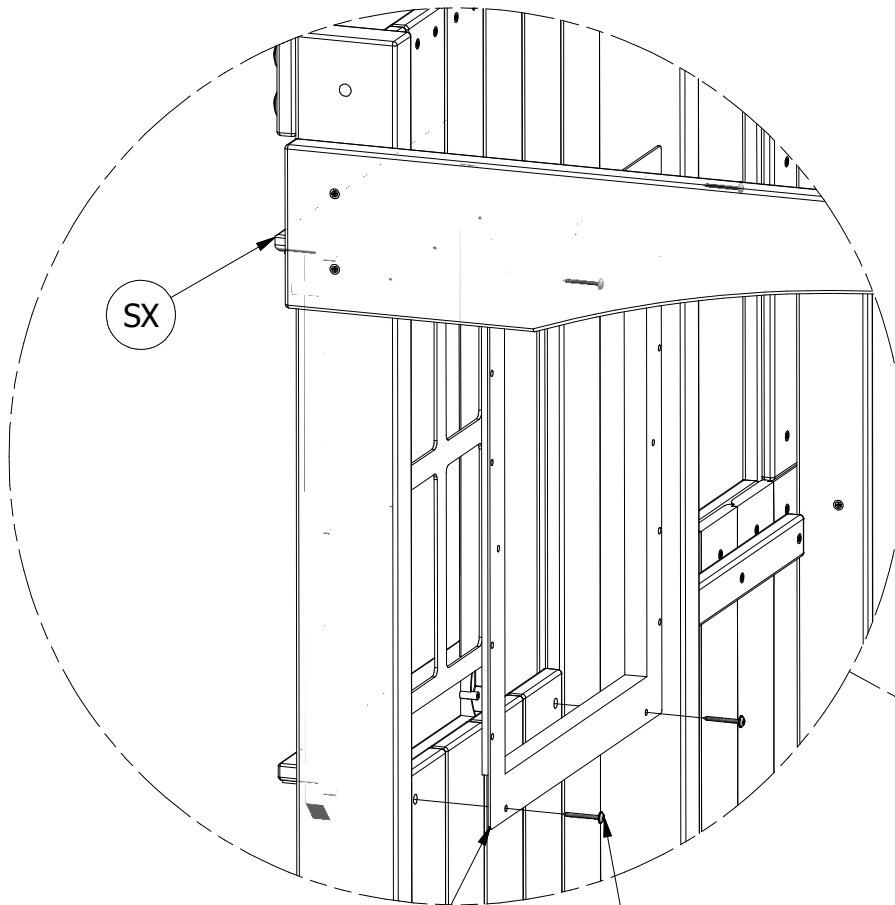
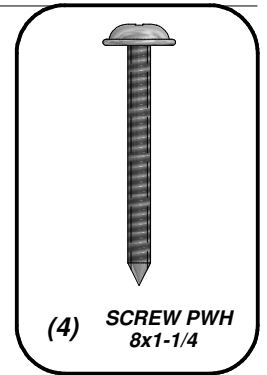




(1) SX - PLASTIC WINDOW 44x412x485 - A100321

(1) WR - LARGE PLASTIC WINDOW TRIM - A100365

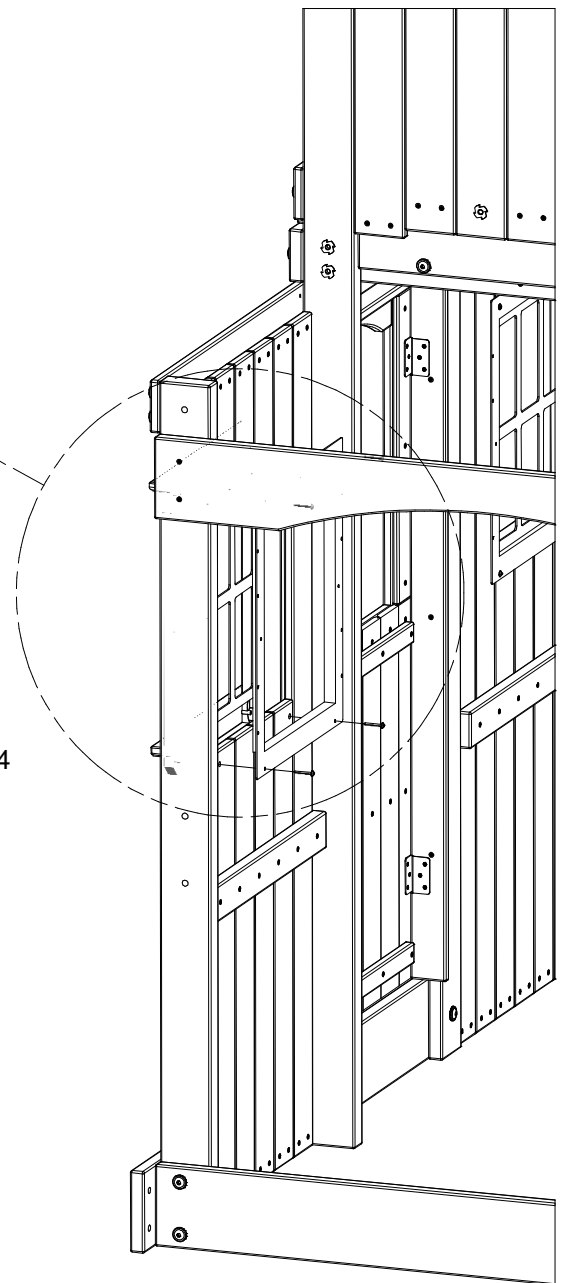
STEP 45



SX

WR

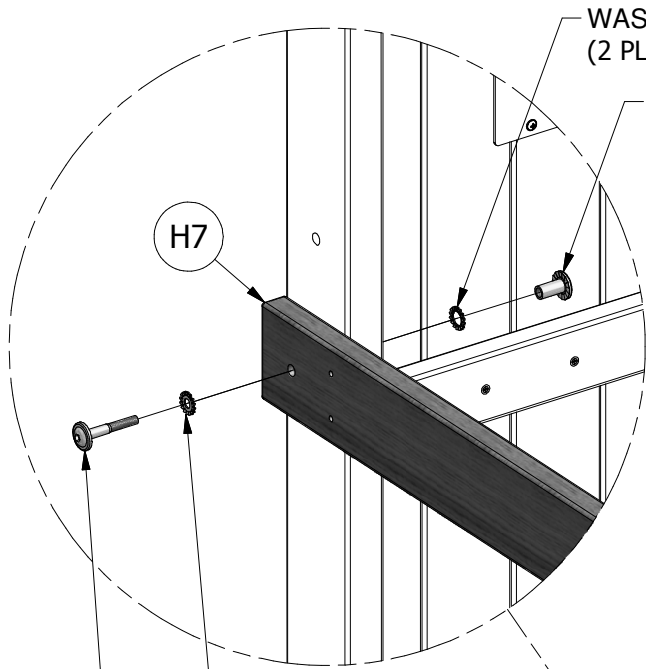
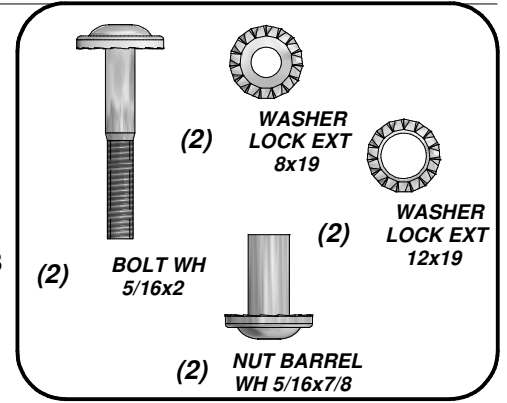
SCREW PWH 8x1-1/4
(4 PLCS)





(1) **H7 - SHELF SUPPORT RAIL - W104161**
1"x3 3/8"x44 1/4" (24x86x1124)

STEP 46



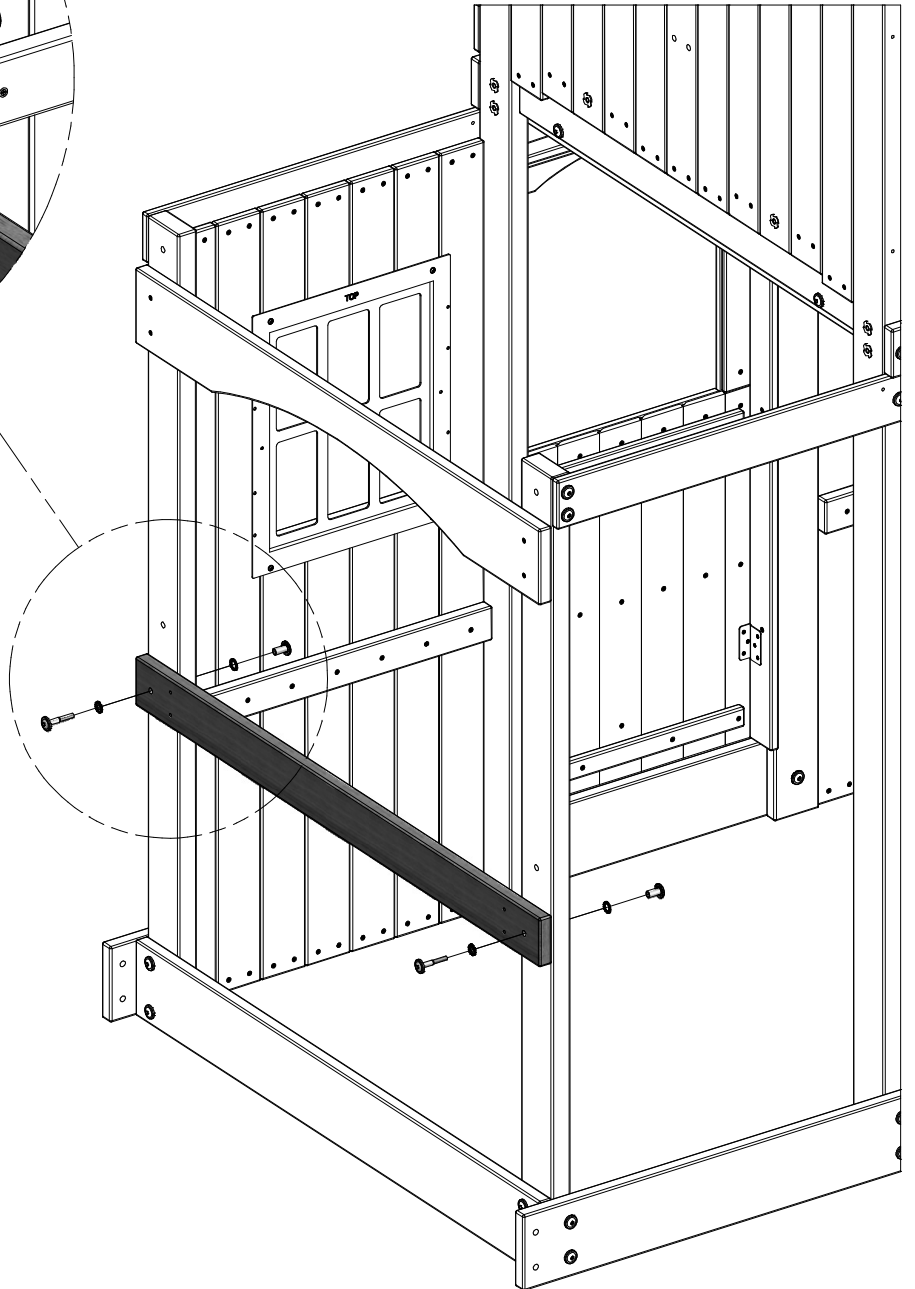
WASHER LOCK EXT 12x19
(2 PLCS)

NUT BARREL WH 5/16x7/8
(2 PLCS)

H7

WASHER LOCK EXT 8x19
(2 PLCS)

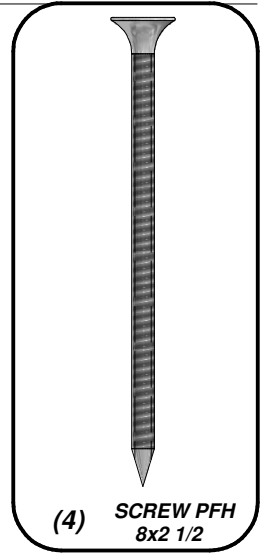
BOLT WH 5/16x2
(2 PLCS)



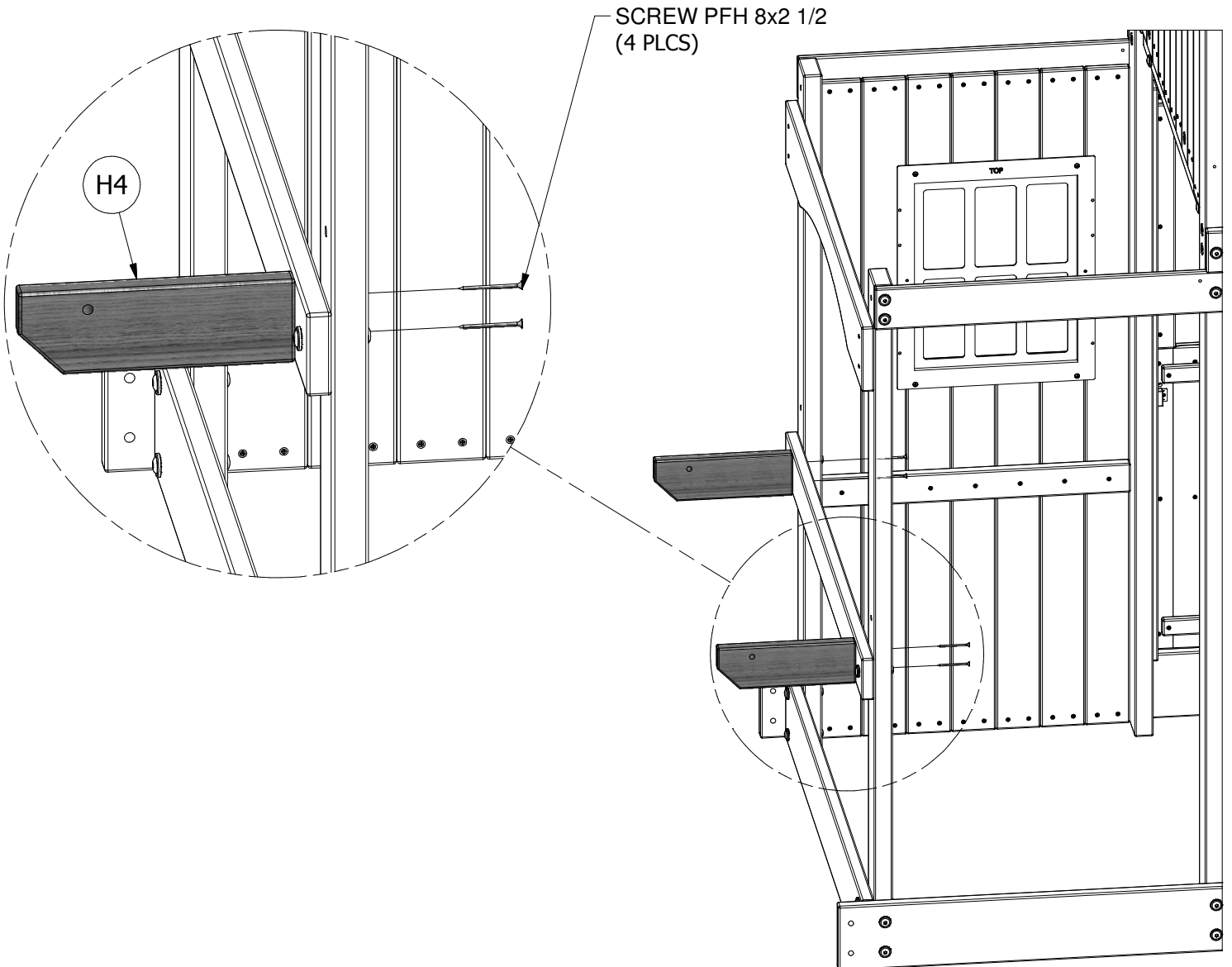


(2) **H4 - SHELF SUPPORT - W104163**
1"x3 3/8"x10 1/2" (24x86x268)

STEP 47



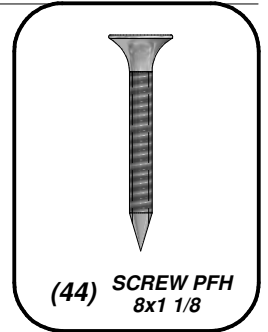
(4) **SCREW PFH**
8x2 1/2



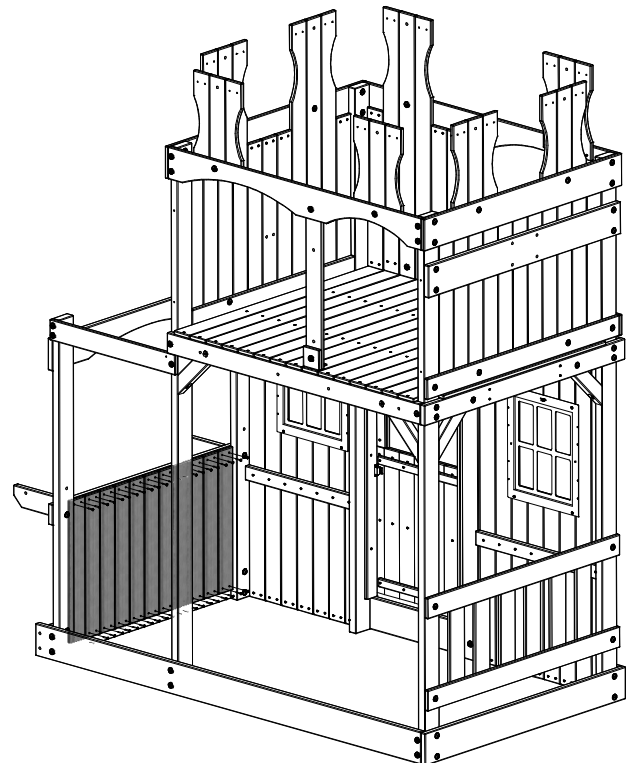
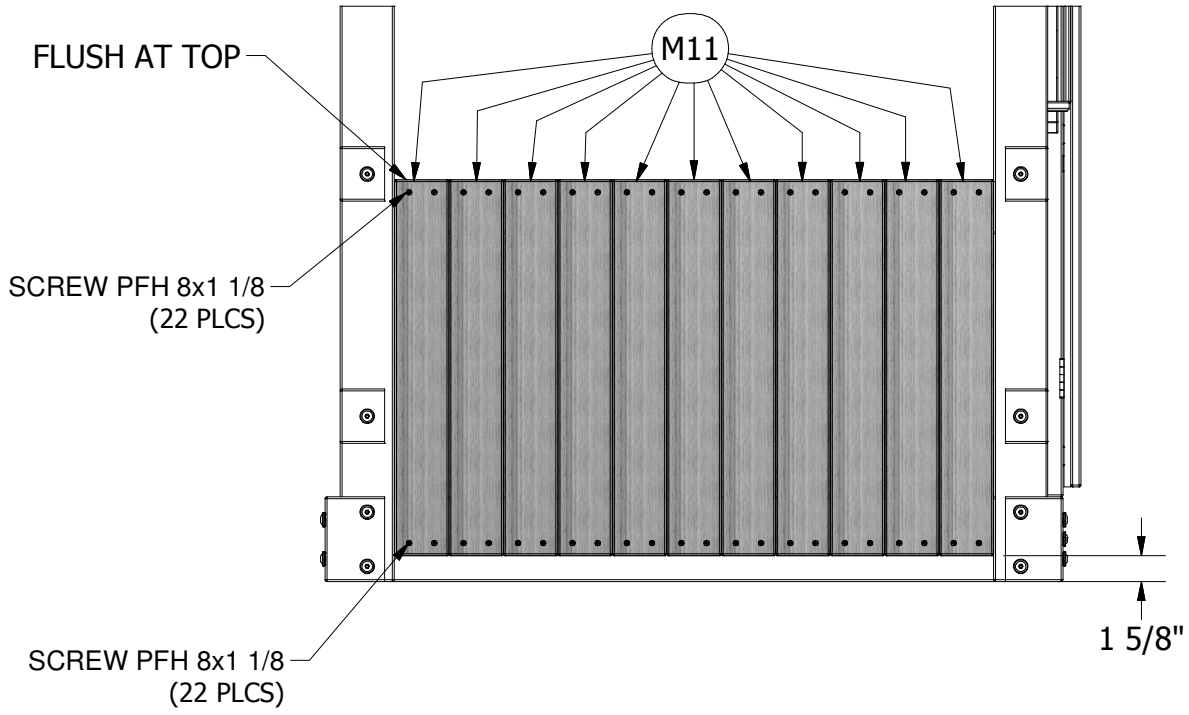


(11) **M11 - WALL BOARD - W104169**
5/8"x3 3/8"x23 1/2" (16x86x596)

STEP 48



(44) **SCREW PFH**
8x1 1/8

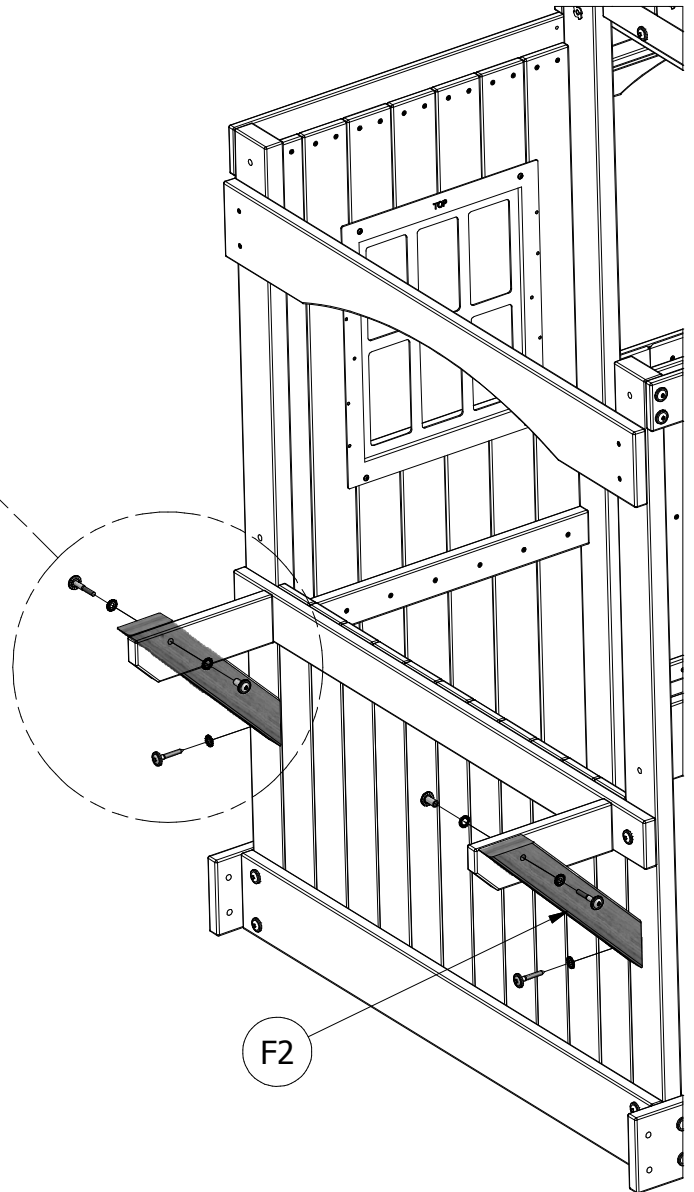
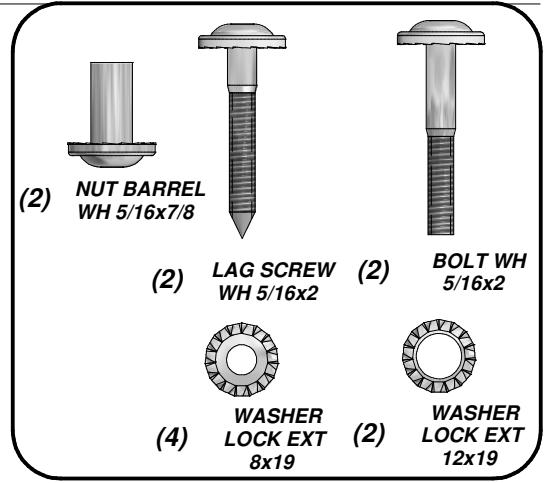
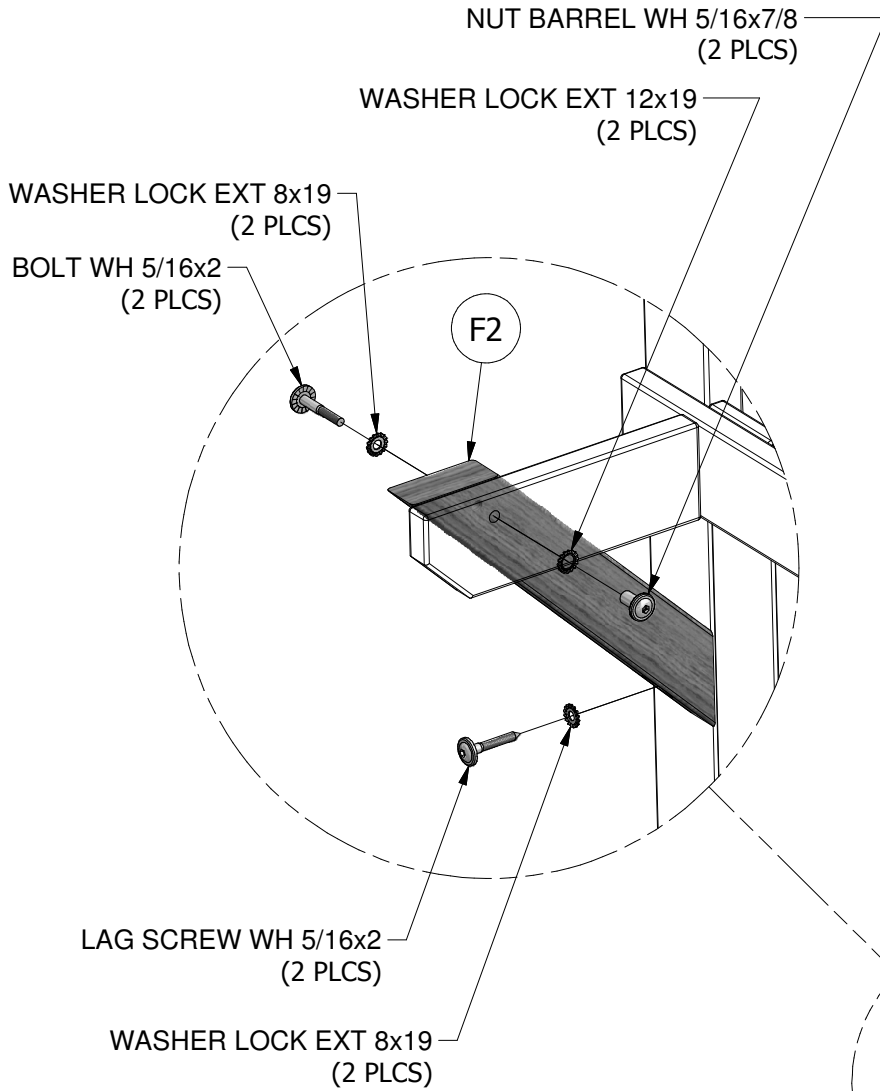


REFERENCE VIEW



(2) **F2 - SHELF BRACE - W104164**
1 3/8"x2 3/8"x16" (36x60x406)

STEP 49





(1) Q1 - SHELF BOARD - W104165
1"x4 3/8"x44 1/4" (24x112x1124)

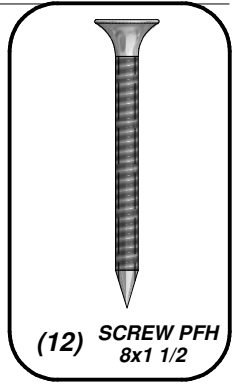


(1) Q2 - SHELF BOARD - W104166
1"x4 3/8"x44 1/4" (24x112x1124)

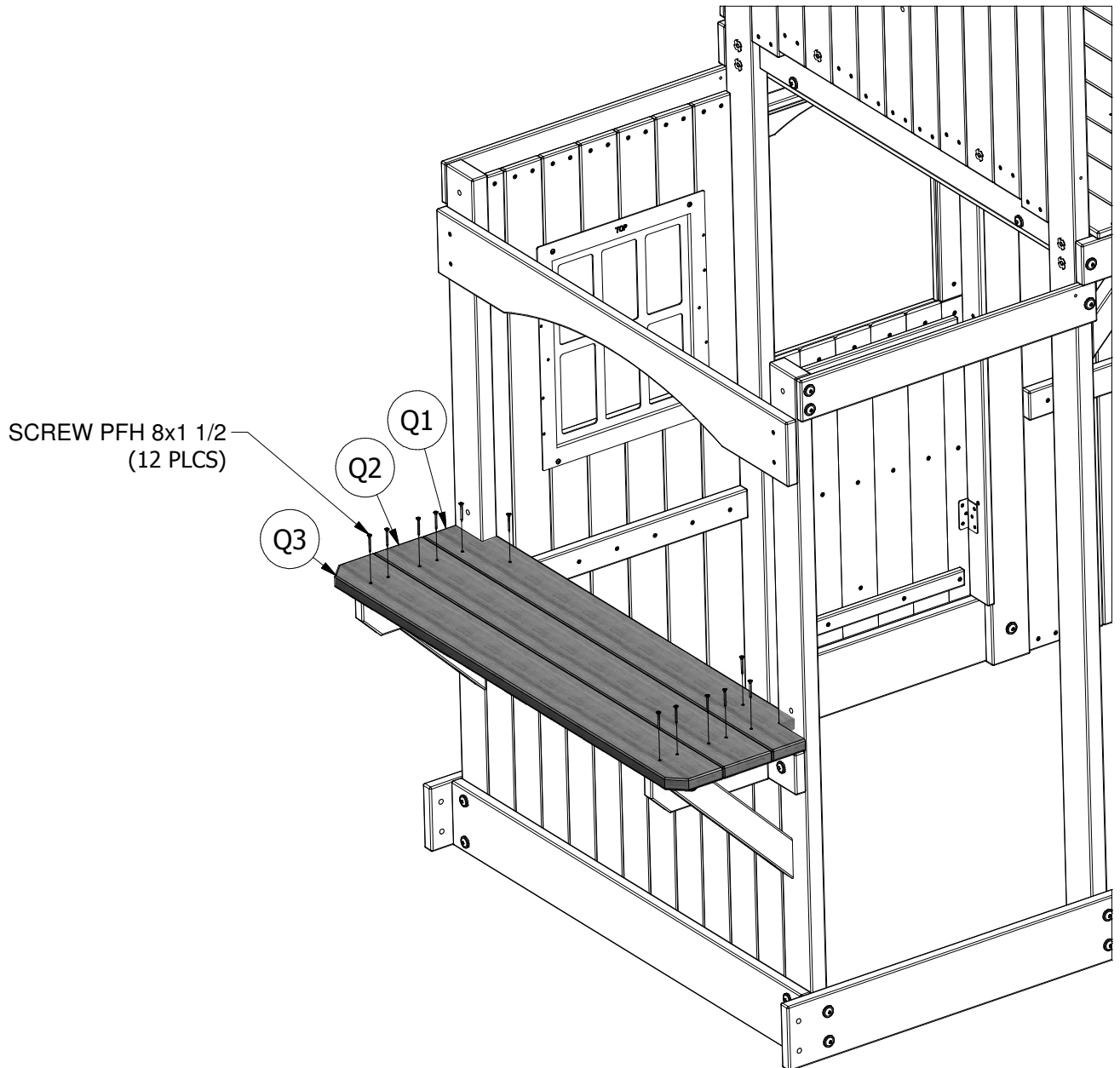


(1) Q3 - SHELF BOARD - W104167
1"x4 3/8"x44 1/4" (24x112x1124)

STEP 50



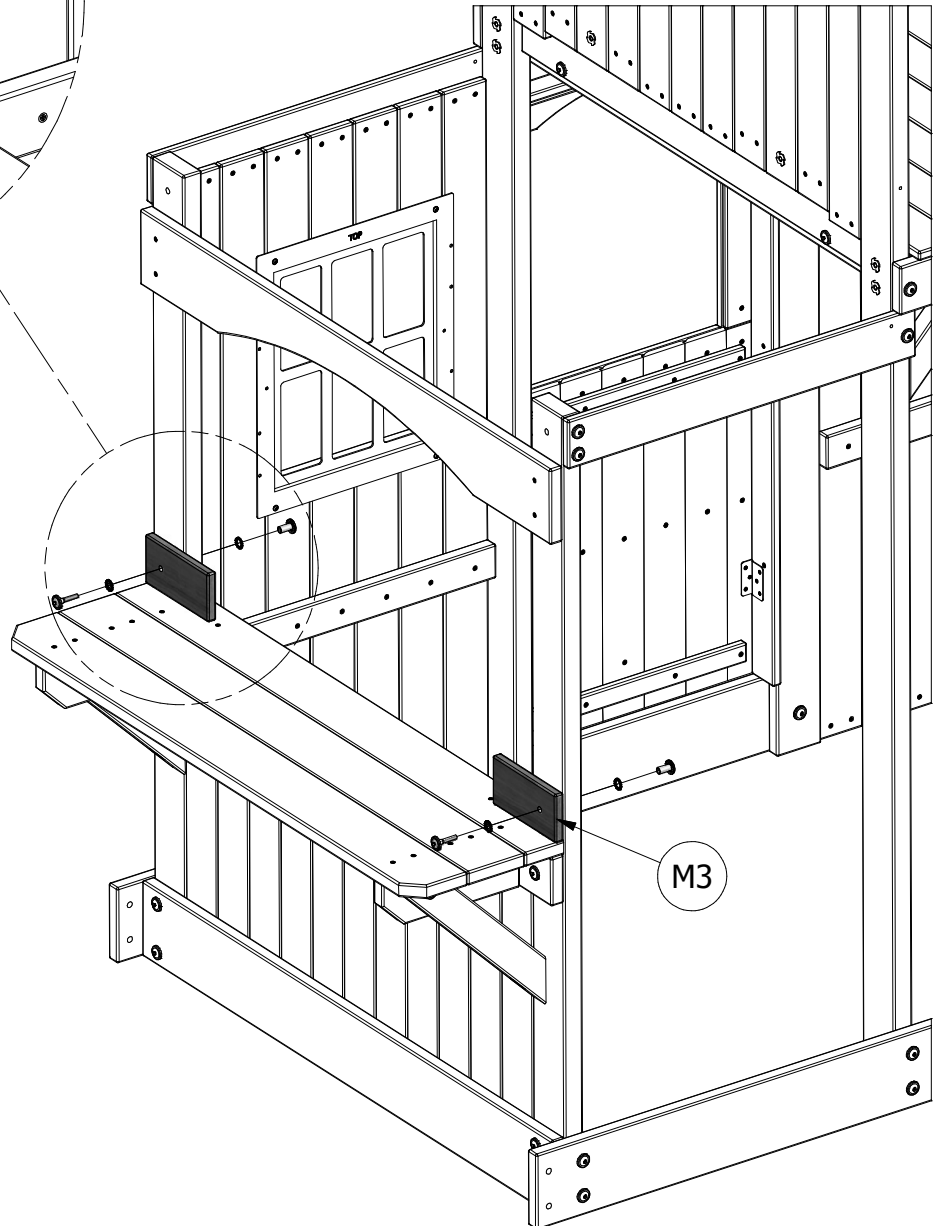
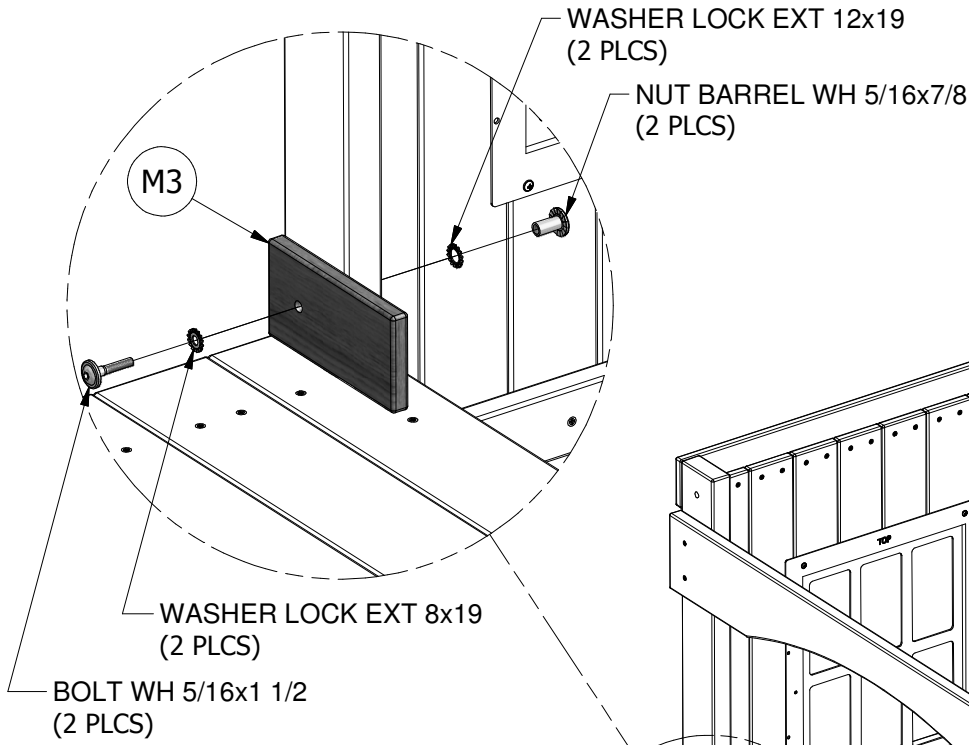
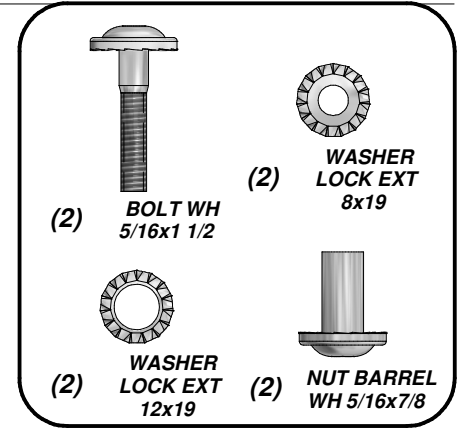
(12) SCREW PFH
8x1 1/2





(2) **M3 - LEMONADE WALL RAIL - W104173**
5/8"x3 3/8"x6 3/4" (16x86x172)

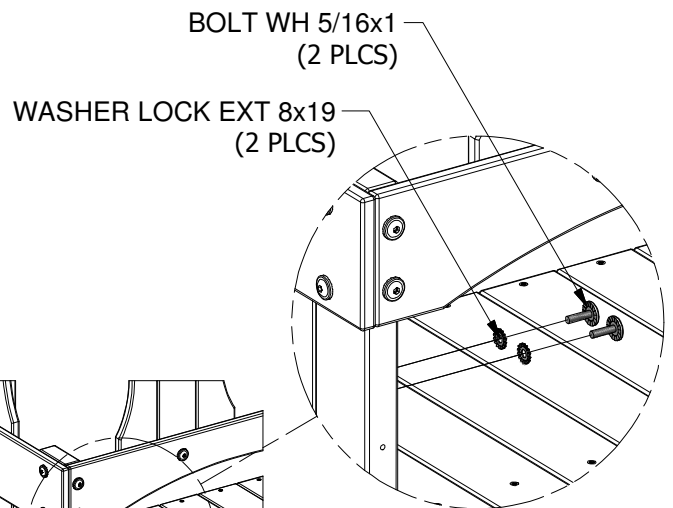
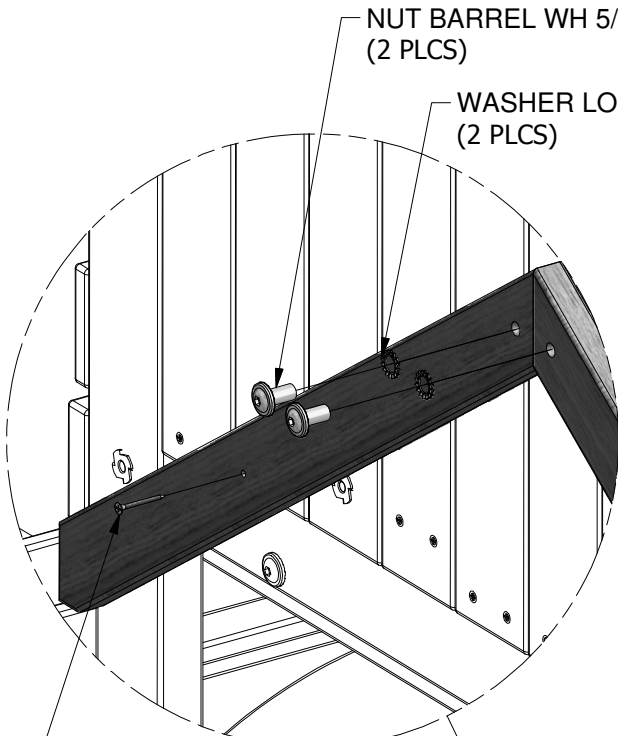
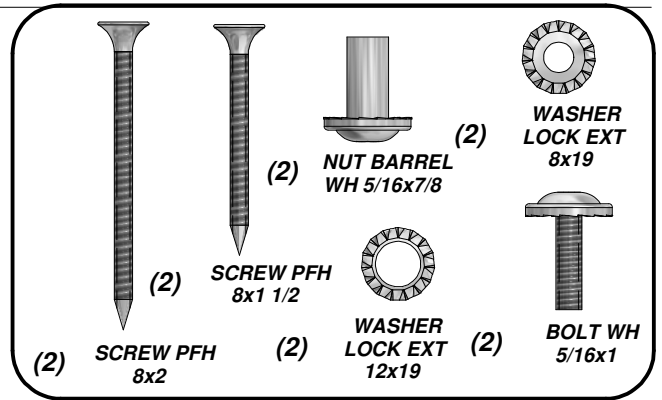
STEP 51





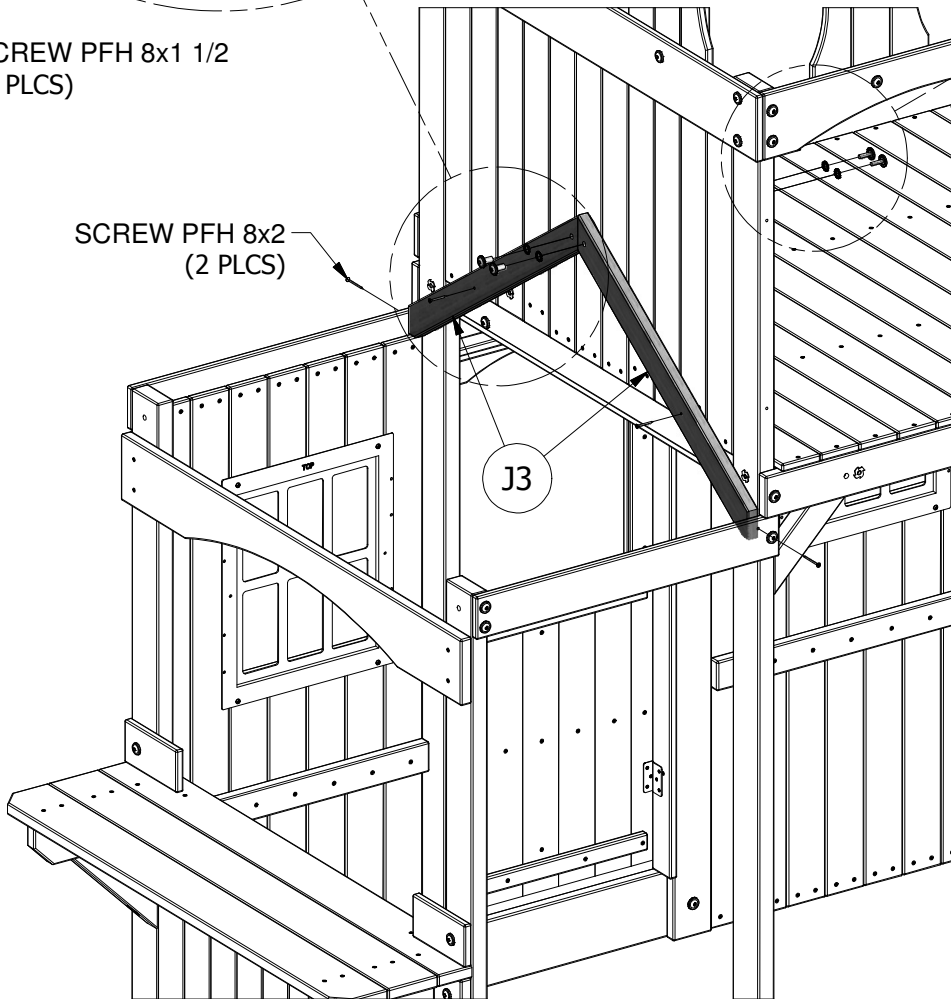
(2) **J3 - LEMONADE ROOF SUPPORT - W104156**
1"x2 3/8"x28 1/4" (24x60x718)

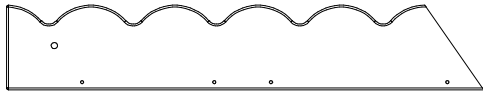
STEP 52



SCREW PFH 8x1 1/2 (2 PLCS)

SCREW PFH 8x2 (2 PLCS)



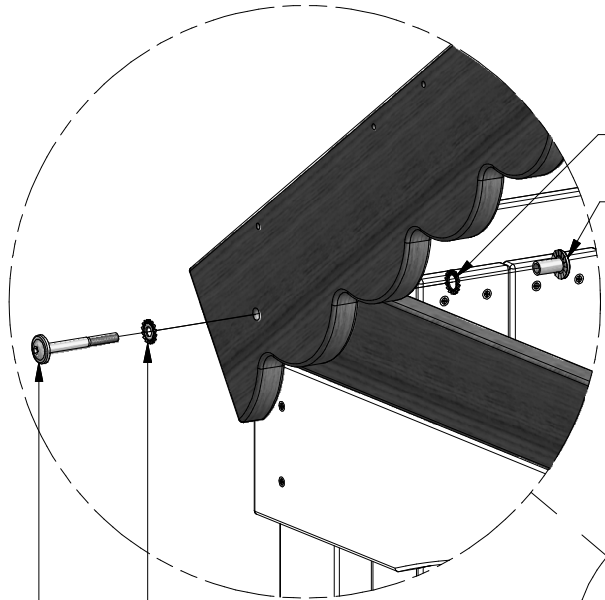


(2) **G3 - LEMONADE GABLE BOARD - W104151**
1"x5 1/4"x29 7/8" (24x134x758)

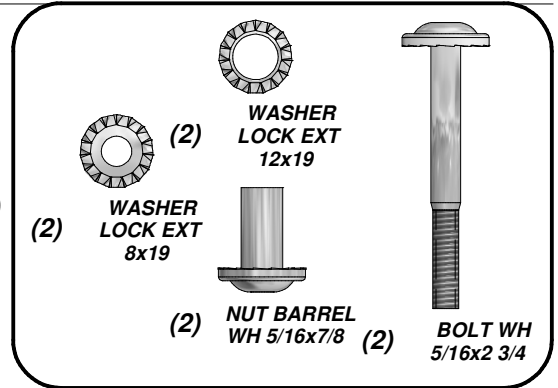


(1) **H8 - LEMONADE ROOF SUPPORT - W104124**
1"x3 3/8"x45 1/2" (24x86x1156)

STEP 53



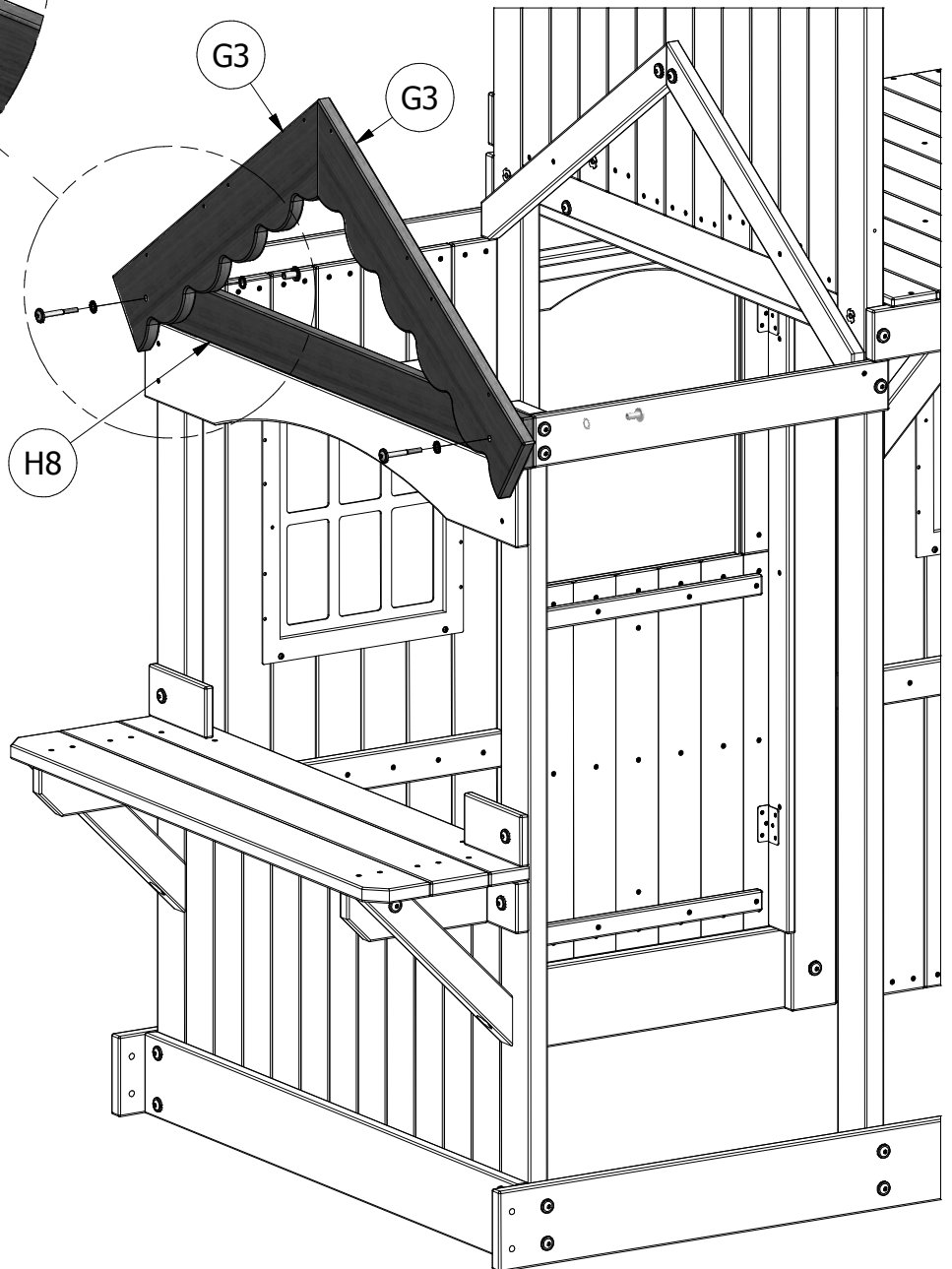
WASHER LOCK EXT 12x19
(2 PLCS)
NUT BARREL WH 5/16x7/8
(2 PLCS)



(2) **WASHER LOCK EXT 12x19**
(2) **WASHER LOCK EXT 8x19**

(2) **NUT BARREL WH 5/16x7/8** (2) **BOLT WH 5/16x2 3/4**

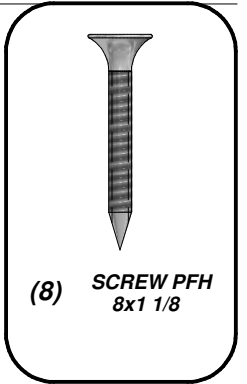
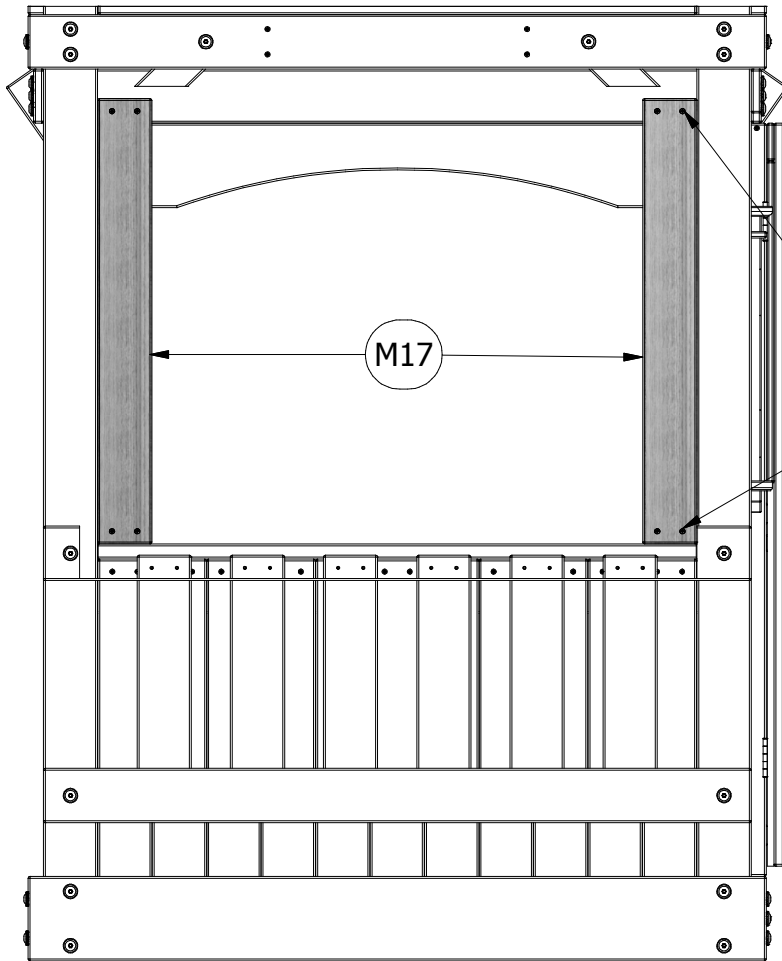
WASHER LOCK EXT 8x19
(2 PLCS)
BOLT WH 5/16x2 3/4
(2 PLCS)





(2) **M17 - WALL BOARD - W104174**
5/8"x3 3/8"x27 3/4" (16x86x706)

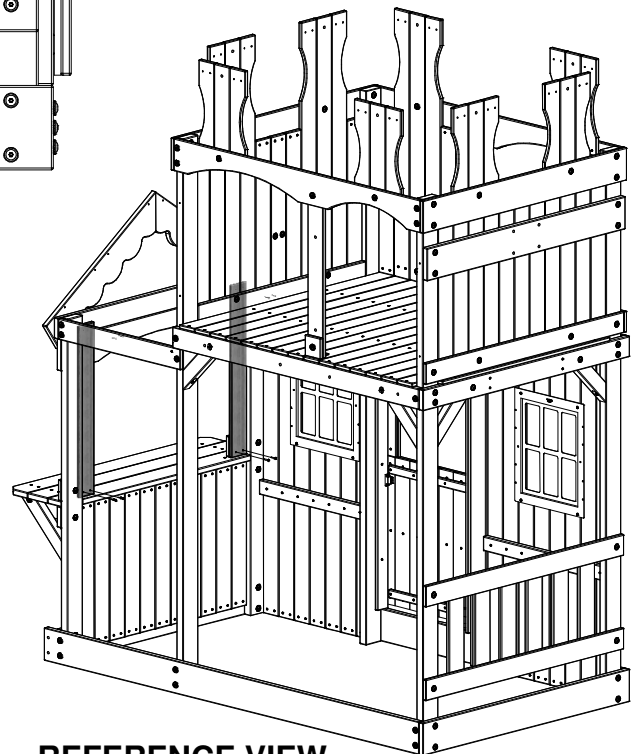
STEP 54



(8) **SCREW PFH**
8x1 1/8

SCREW PFH 8x1 1/8
(4 PLCS)

SCREW PFH 8x1 1/8
(4 PLCS)

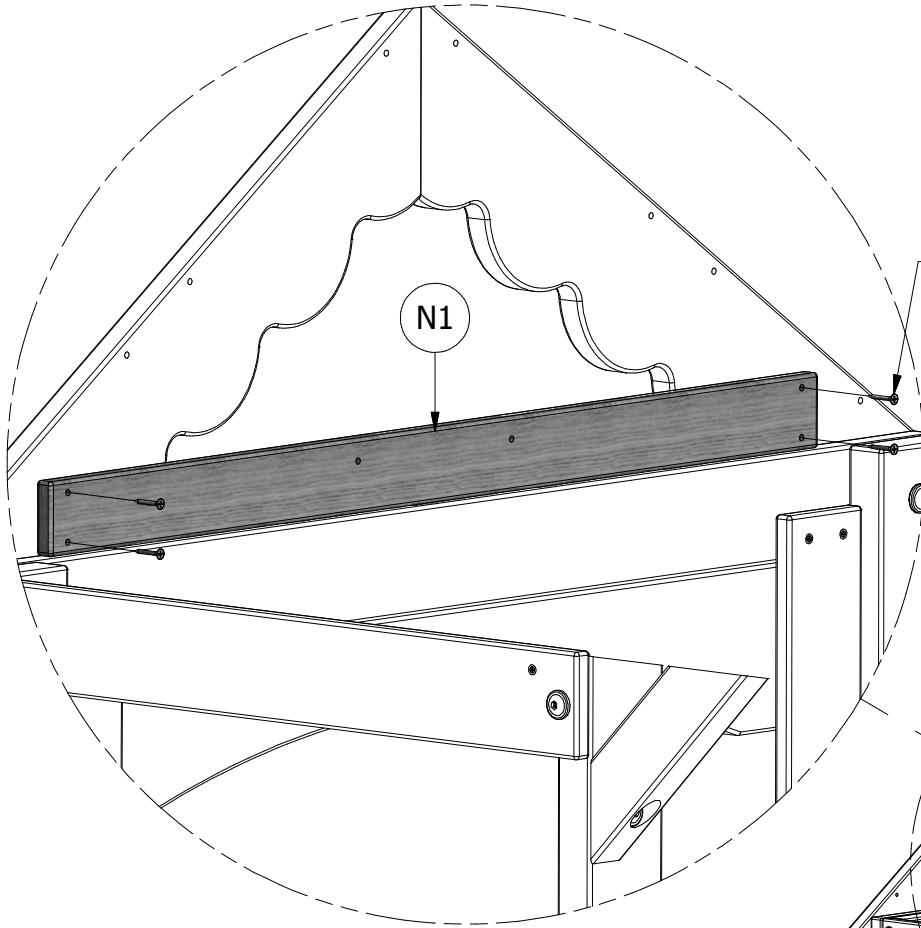


REFERENCE VIEW

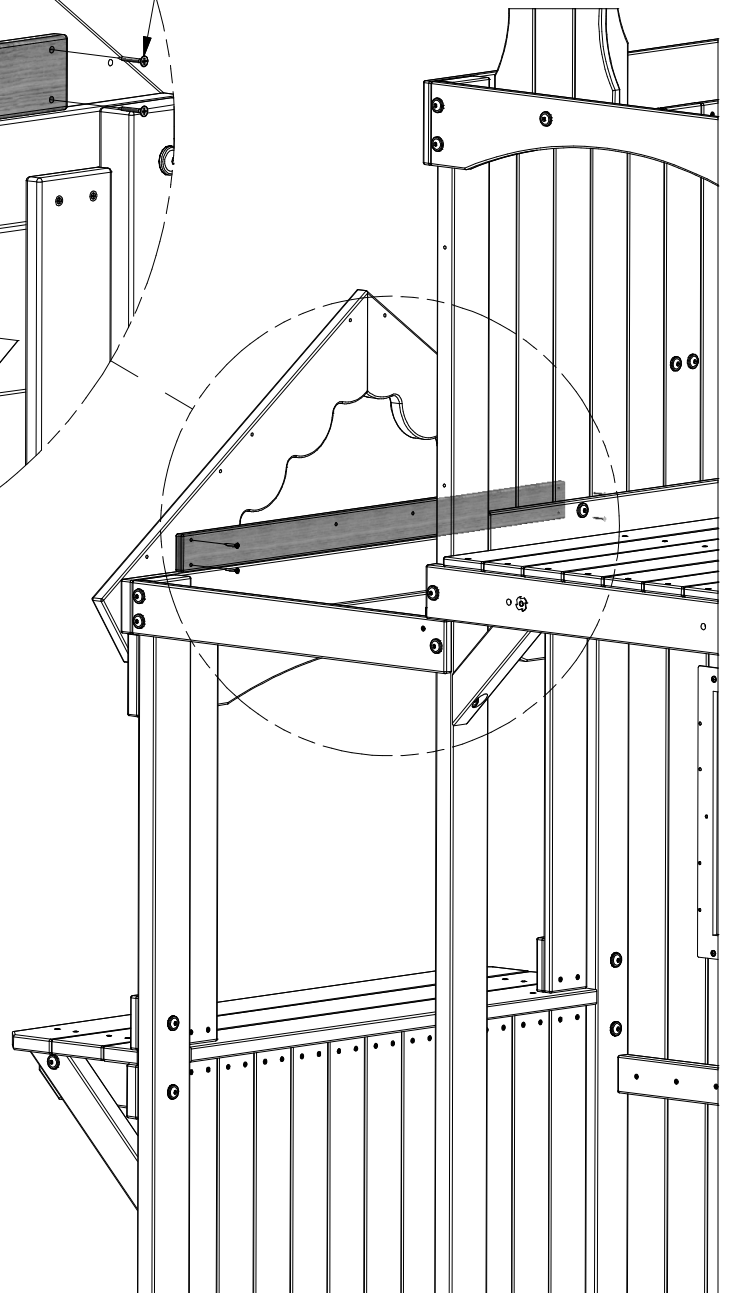
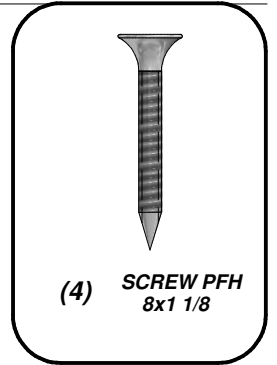


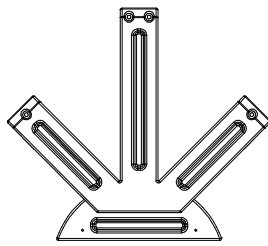
(1) **N1 - LEMONADE GABLE BOARD - W104159**
5/8"x2 3/8"x35 3/8" (16x60x900)

STEP 55



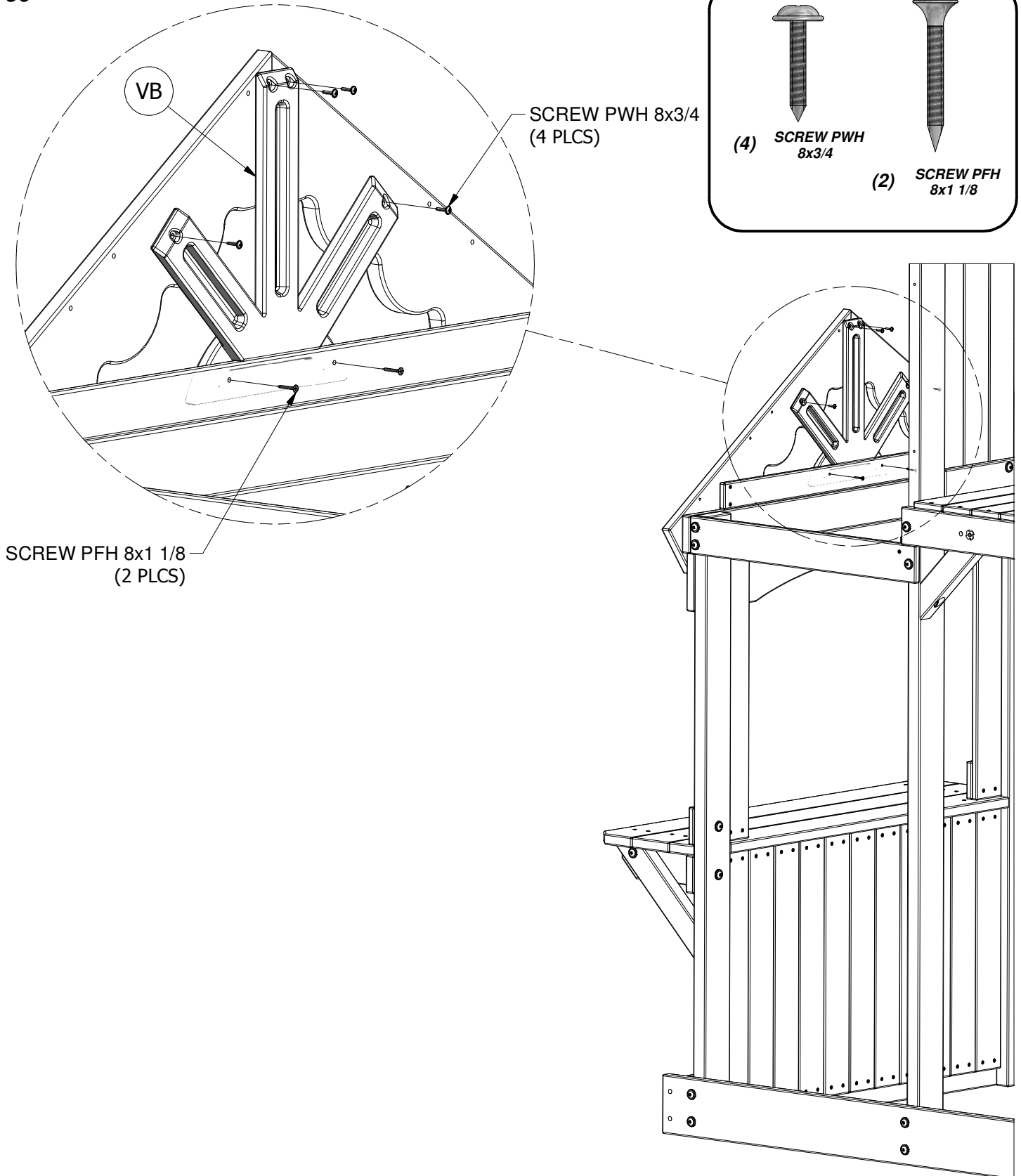
SCREW PFH 8x1 1/8
(4 PLCS)

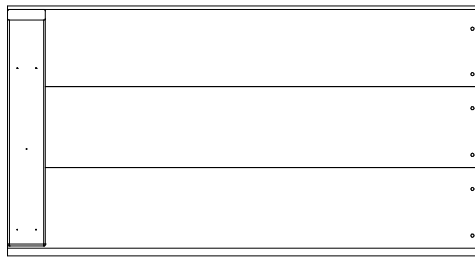




(1) VB - PLASTIC SUNBURST - A100361

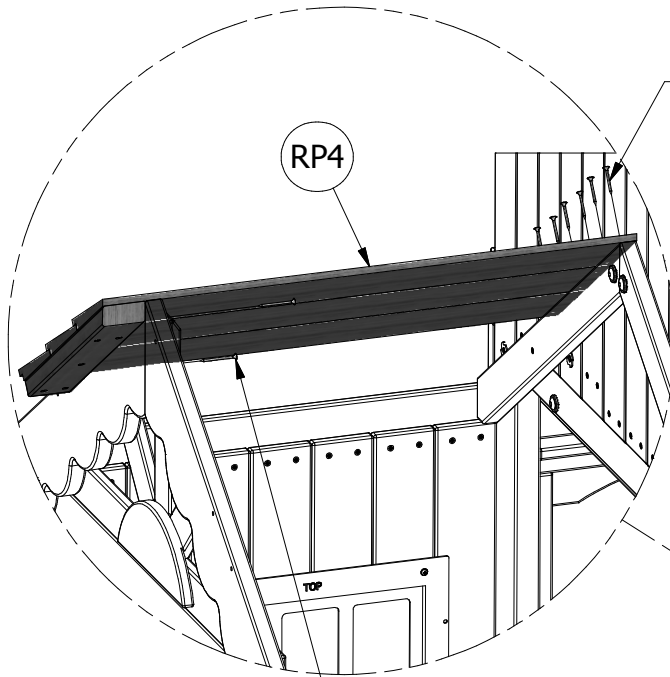
STEP 56





(1) RP4 - ROOF PANEL - W104153

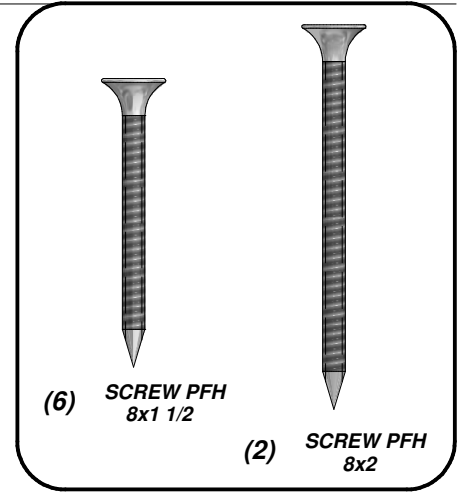
STEP 57



SCREW PFH 8x1 1/2
(6 PLCS)

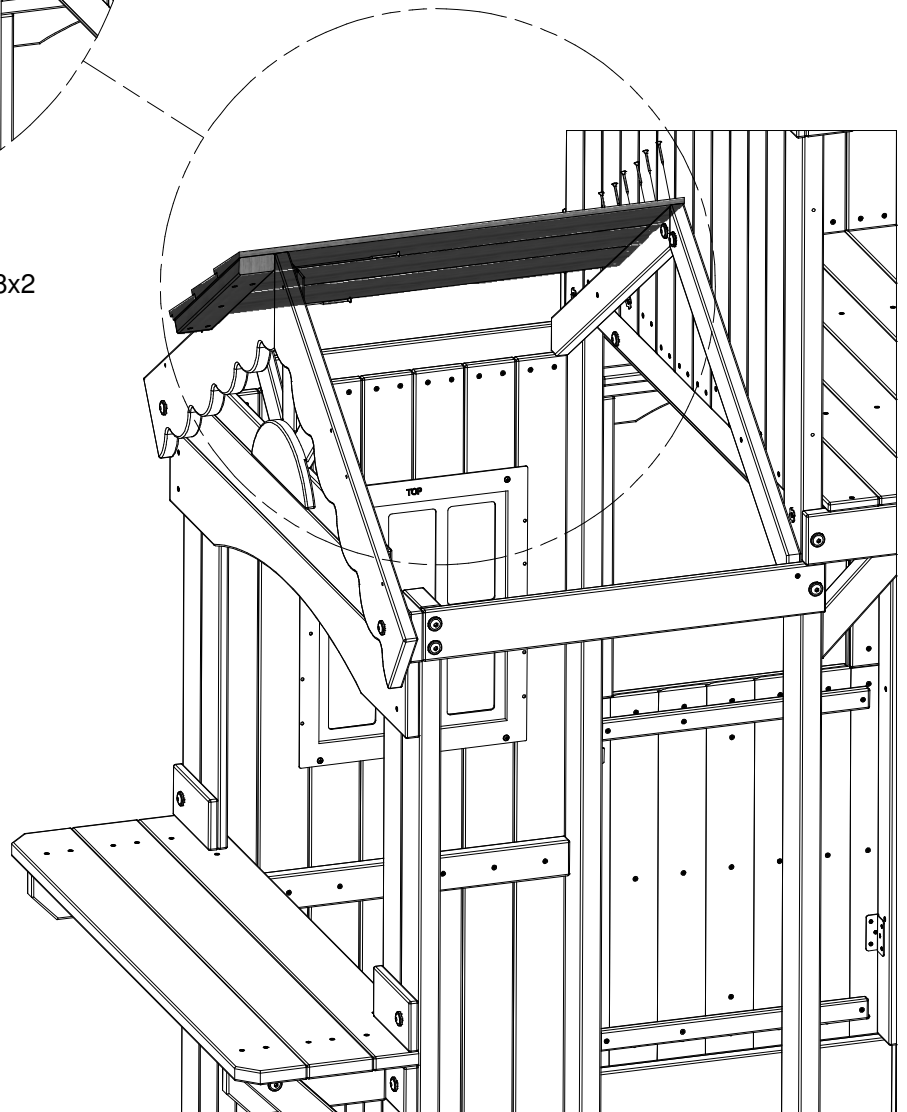
RP4

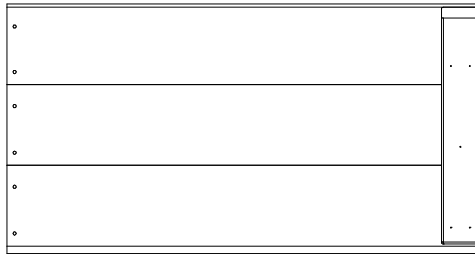
SCREW PFH 8x2
(2 PLCS)



(6) SCREW PFH
8x1 1/2

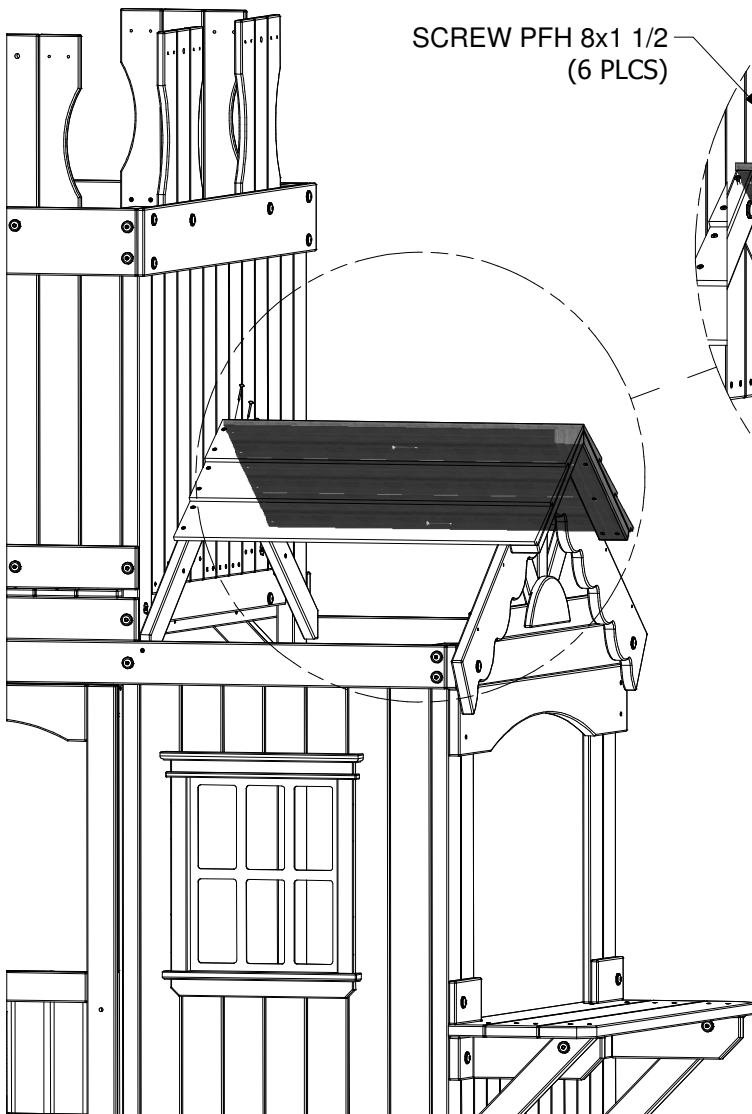
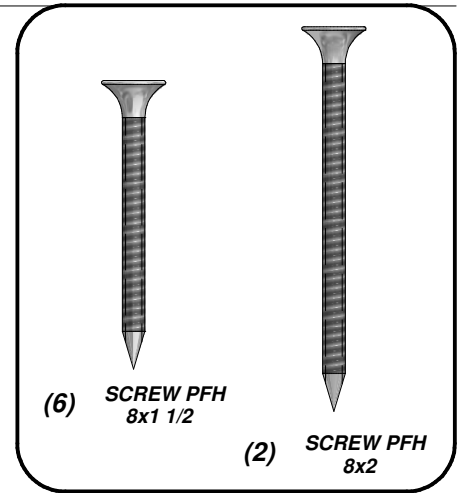
(2) SCREW PFH
8x2





(1) RP6 - ROOF PANEL - W104155

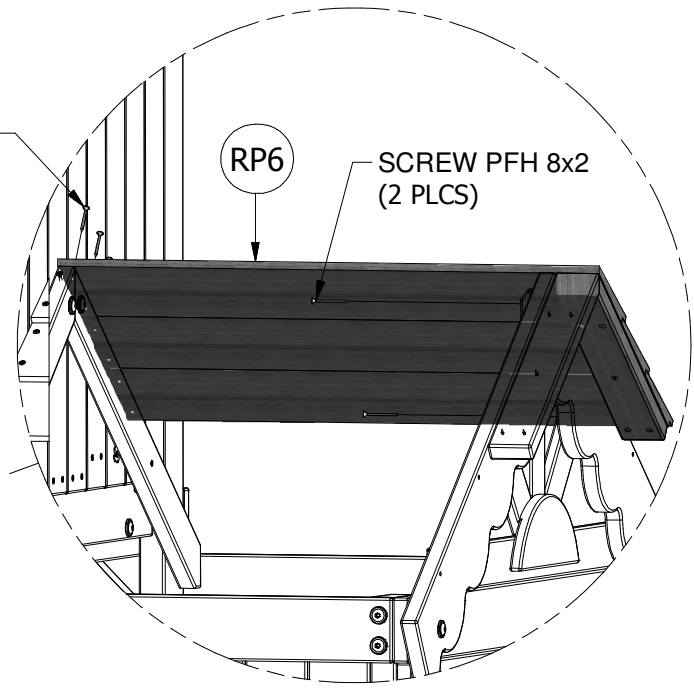
STEP 58

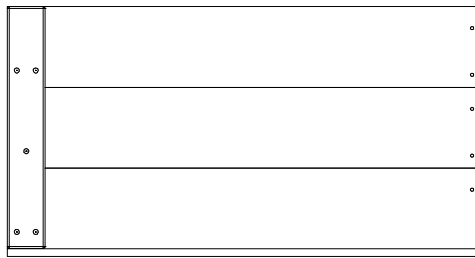


SCREW PFH 8x1 1/2
(6 PLCS)

RP6

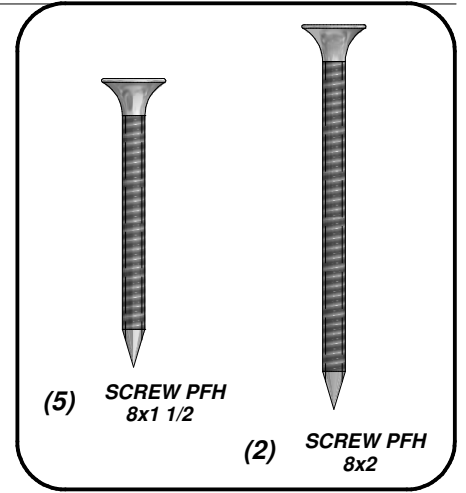
SCREW PFH 8x2
(2 PLCS)





(1) RP3 - ROOF PANEL - W104152

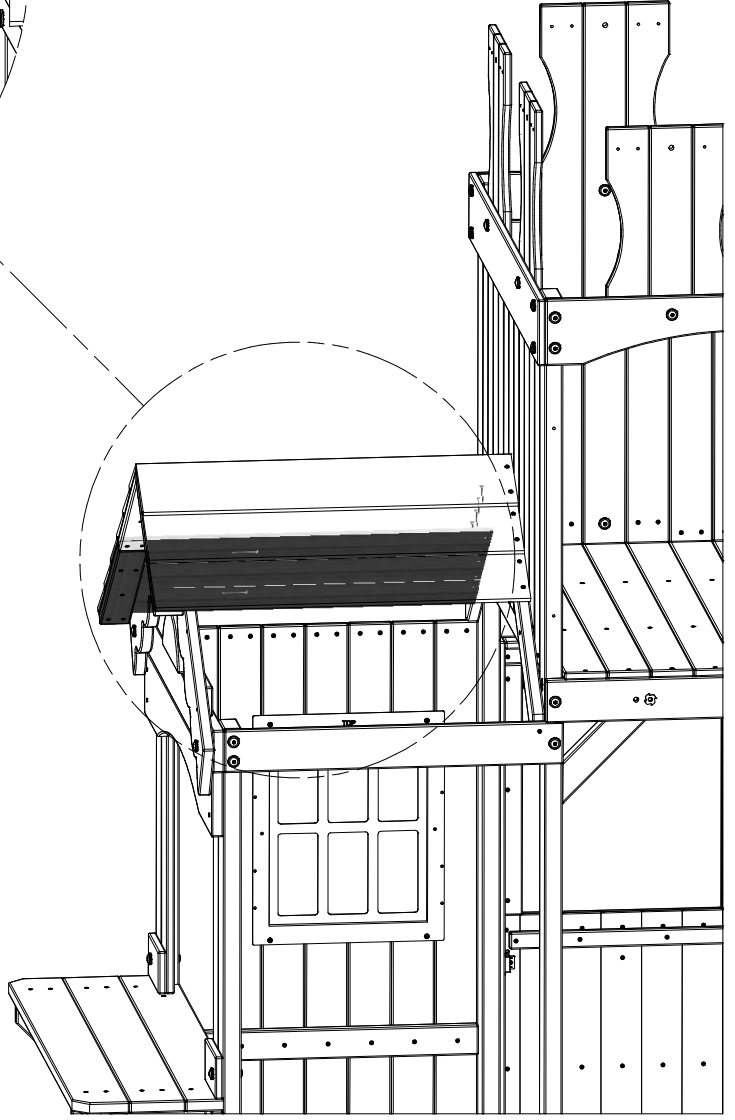
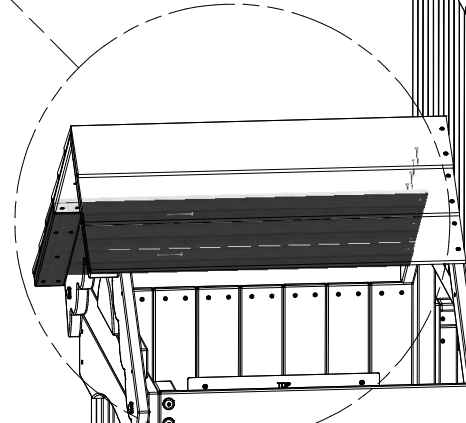
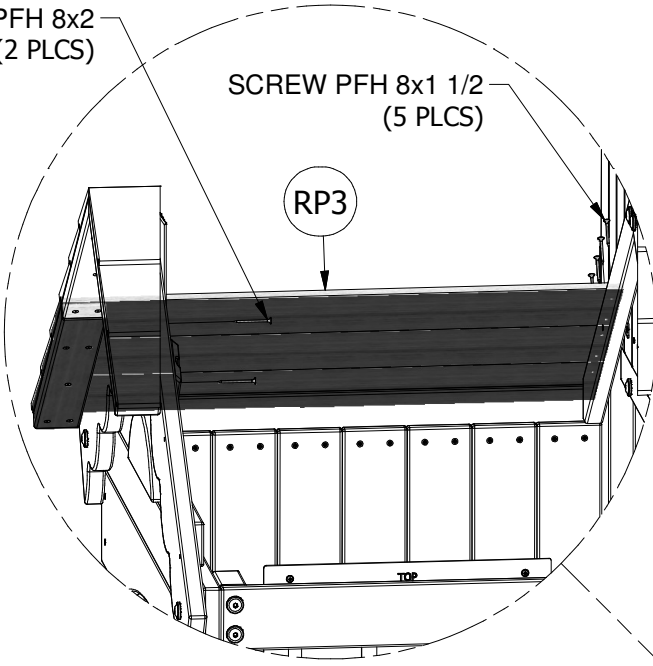
STEP 59

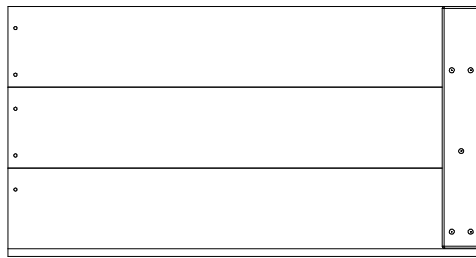


SCREW PFH 8x2
(2 PLCS)

SCREW PFH 8x1 1/2
(5 PLCS)

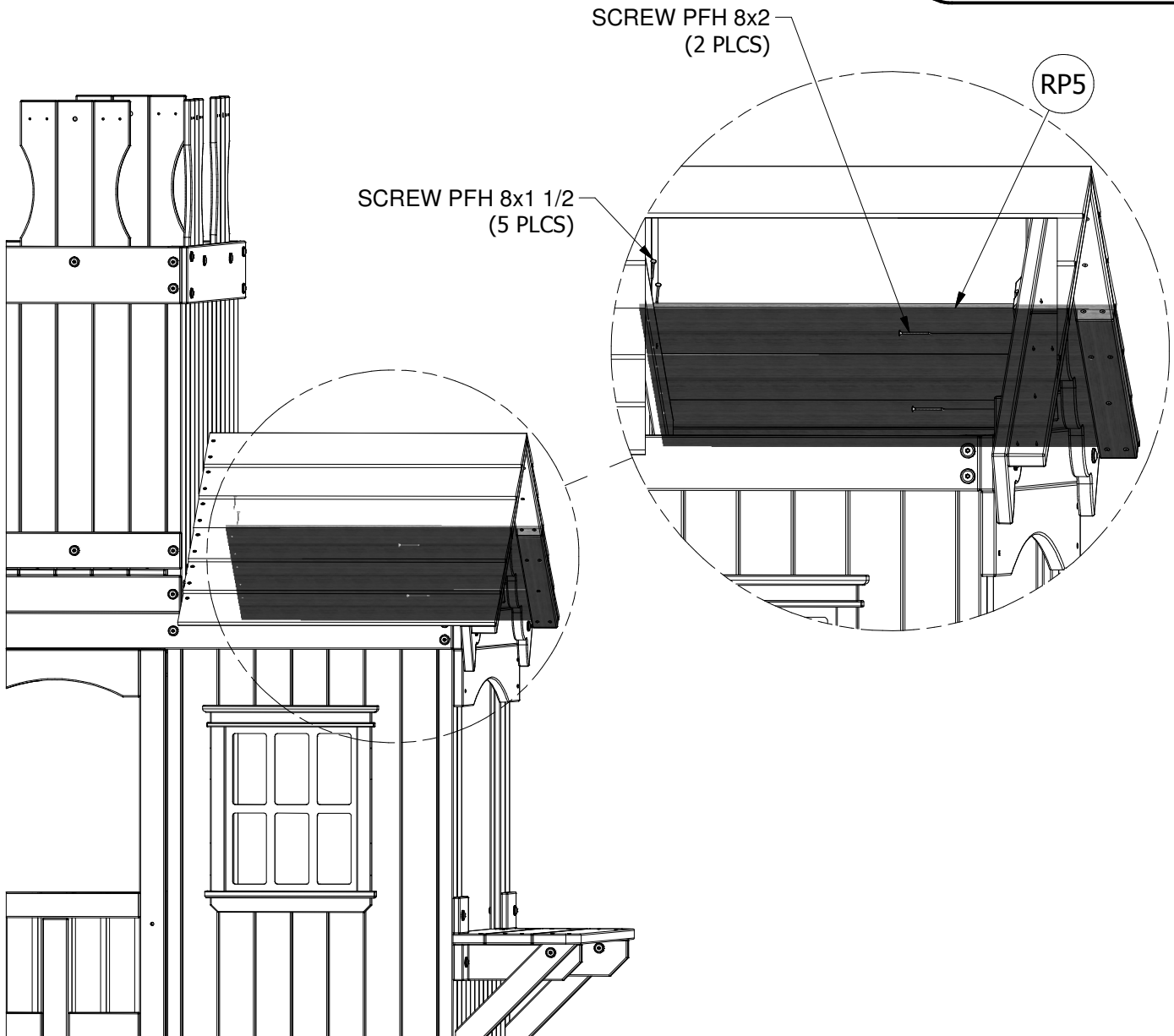
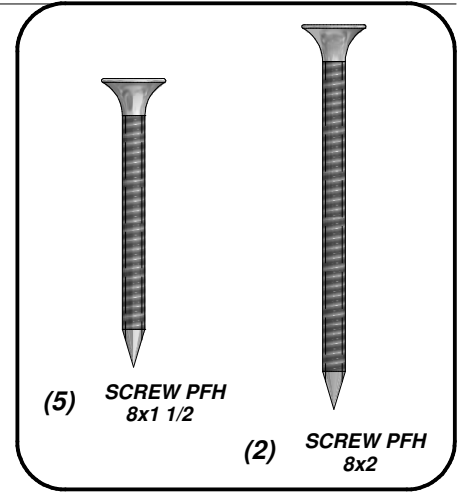
RP3

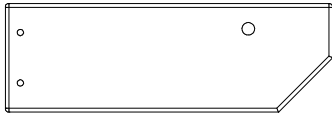




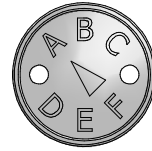
(1) RP5 - ROOF PANEL - W104154

STEP 60



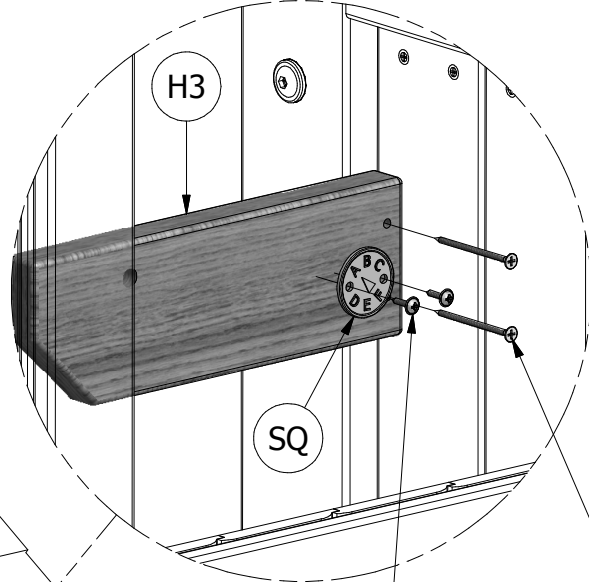


(1) **H3 - SHELF SUPPORT - W104176**
1"x3 3/8"x10 1/4" (24x86x260)

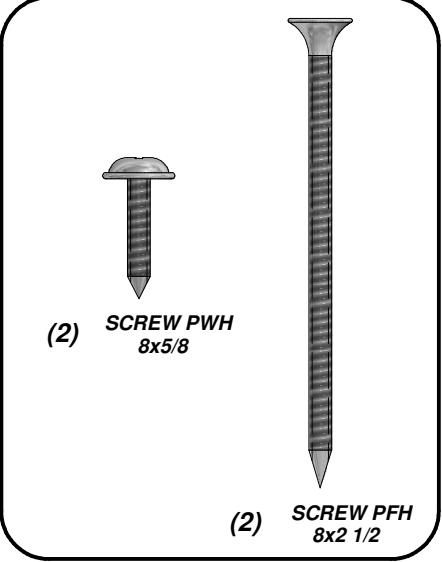


(1) **SQ - "A" REVISION TAG - A100314**

STEP 61



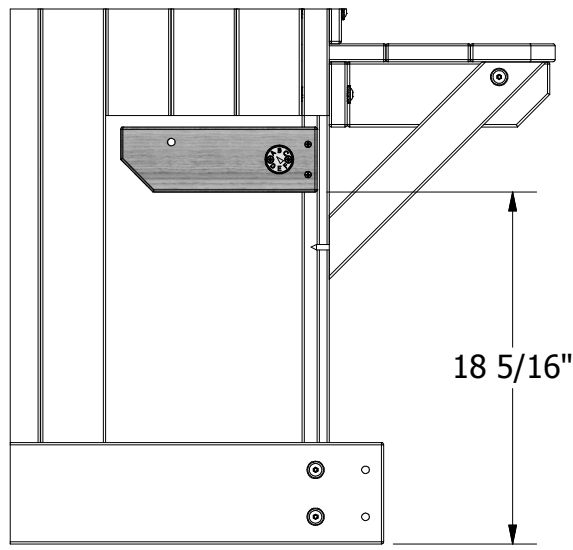
SCREW PWH 8x5/8
(2 PLCS)



(2) **SCREW PWH**
8x5/8

(2) **SCREW PFH**
8x2 1/2

SCREW PFH 8x2 1/2
(2 PLCS)



18 5/16"

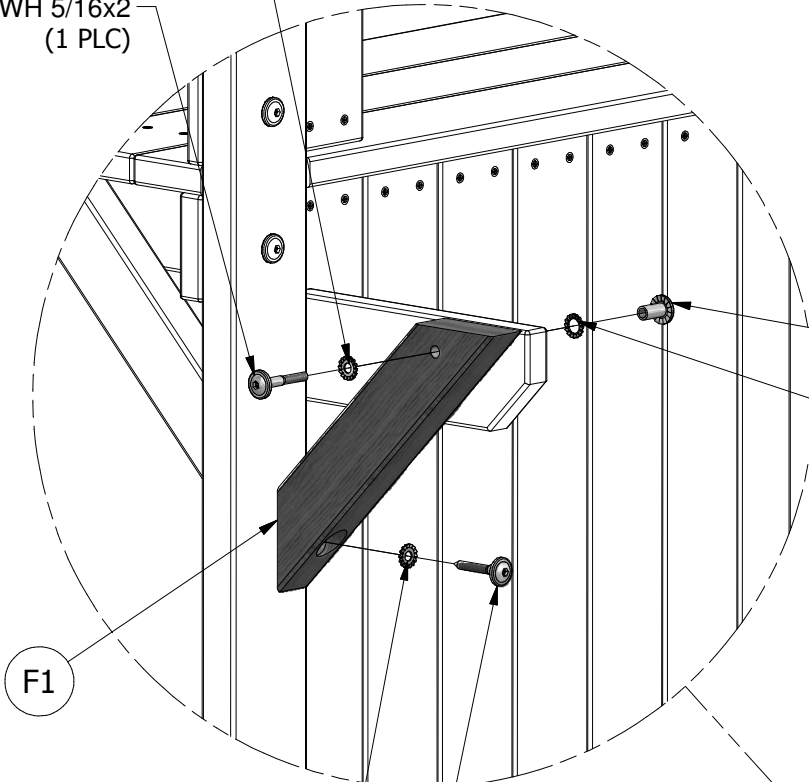


(1) **F1 - SHELF BRACE - W104177**
1 3/8"x2 3/8"x13 1/8" (36x60x332)

STEP 62

WASHER LOCK EXT 8x19
(1 PLC)

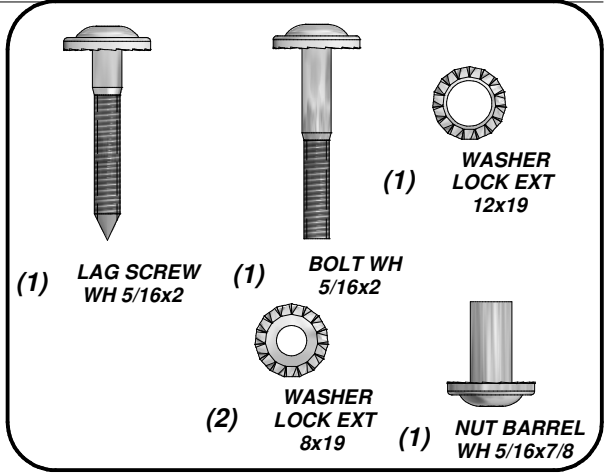
BOLT WH 5/16x2
(1 PLC)



F1

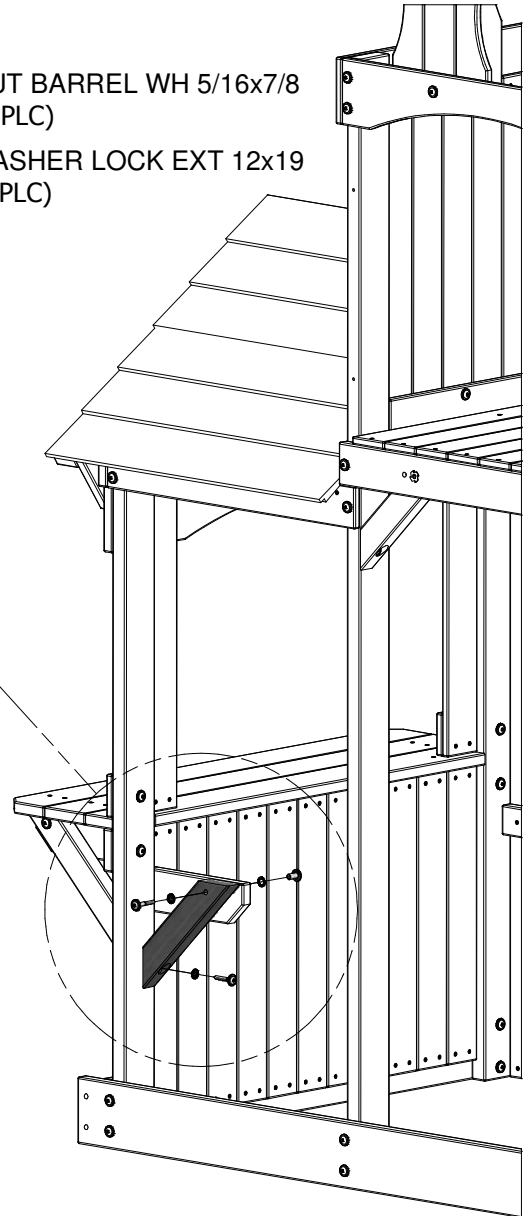
WASHER LOCK EXT 8x19
(1 PLC)

LAG SCREW WH 5/16x2
(1 PLC)



NUT BARREL WH 5/16x7/8
(1 PLC)

WASHER LOCK EXT 12x19
(1 PLC)



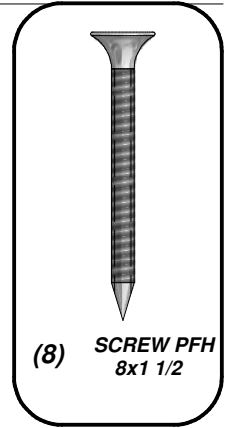
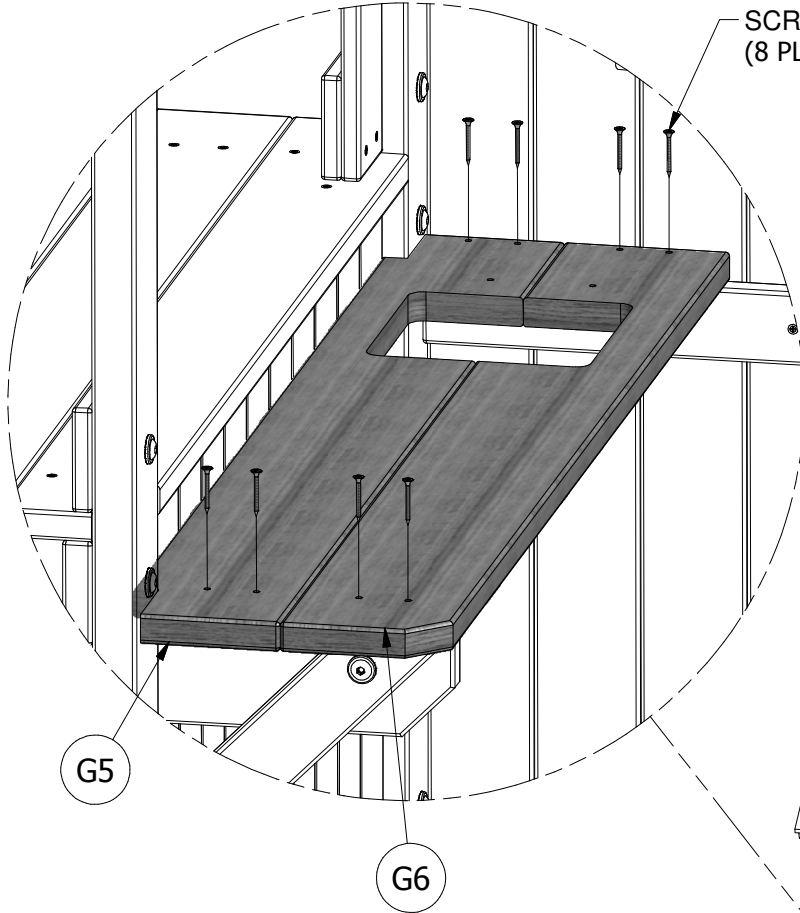


(1) **G5 - SHELF BOARD - W104178**
1"x5 1/4"x43" (24x134x1092)

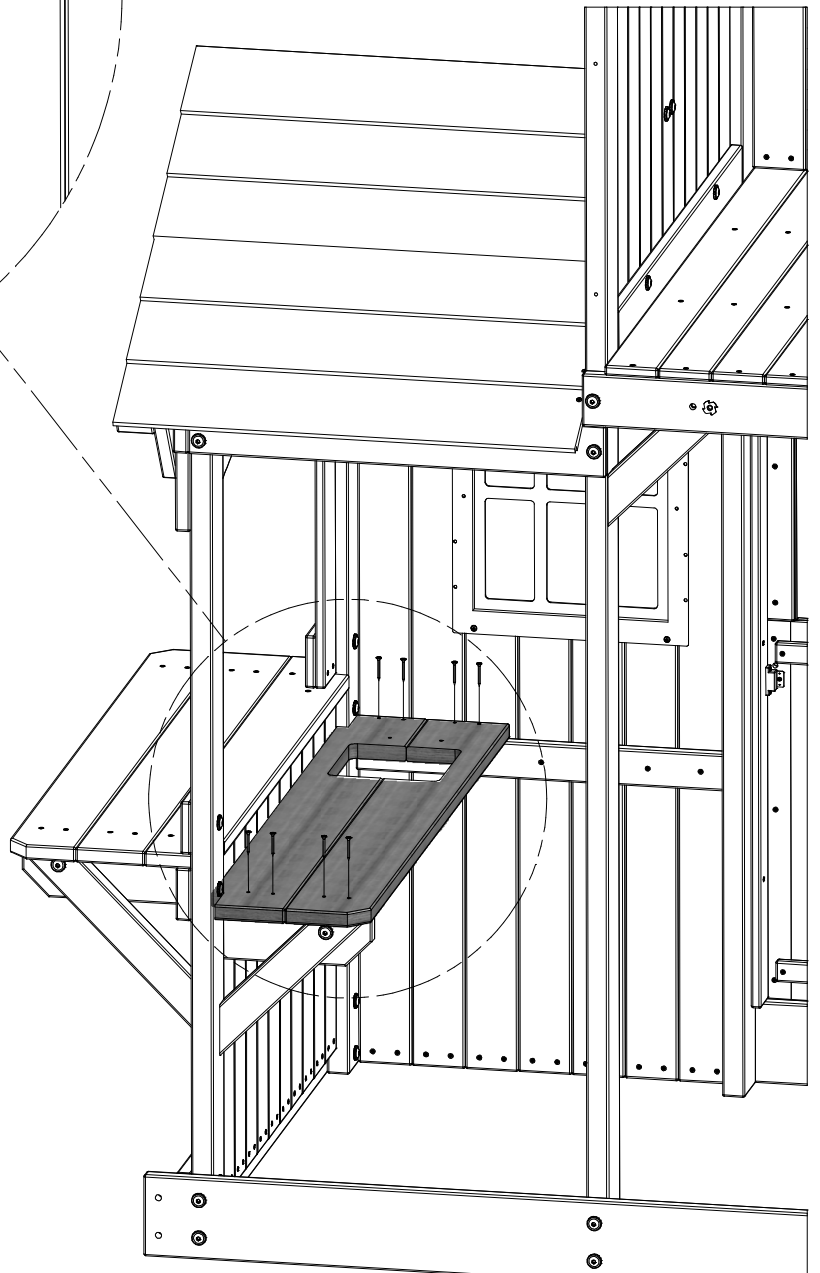


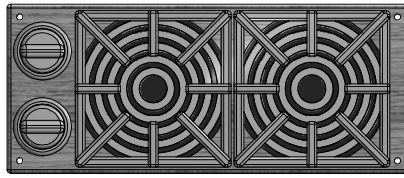
(1) **G6 - SHELF BOARD - W104179**
1"x5 1/4"x43" (24x134x1092)

STEP 63



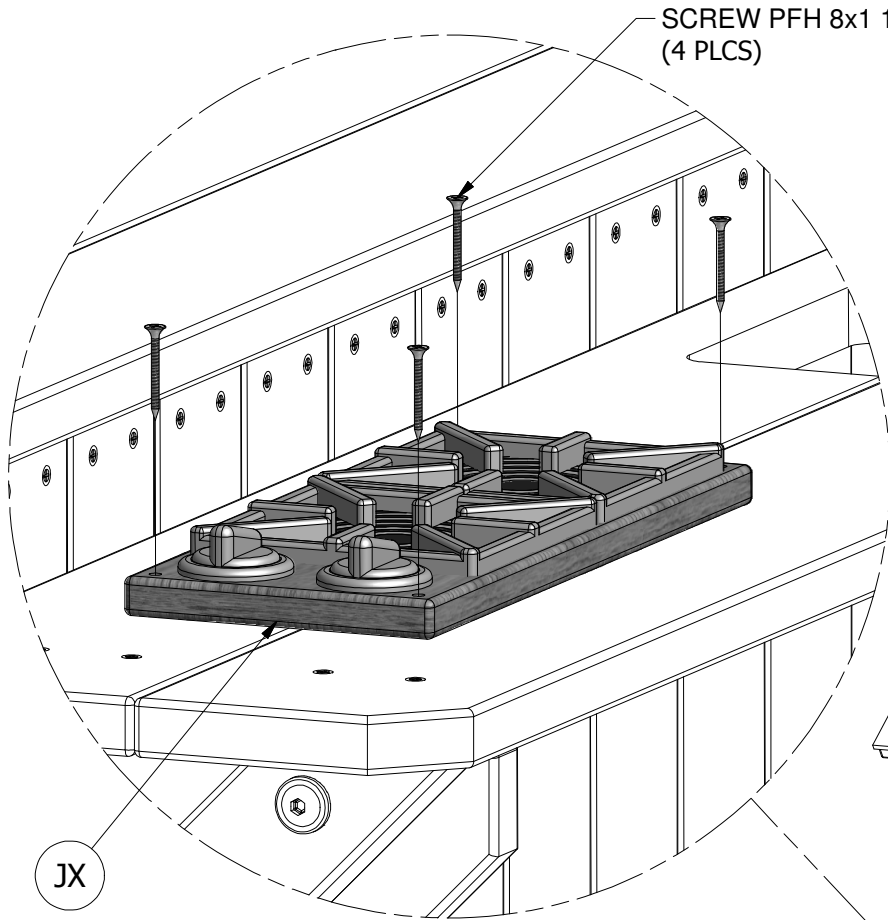
(8) **SCREW PFH**
8x1 1/2



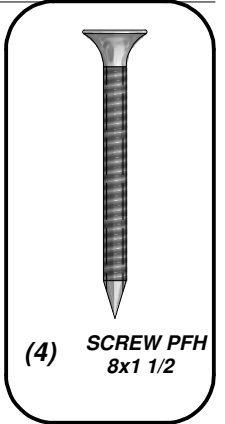


(1) JX - STOVE ASSEMBLY - A100136

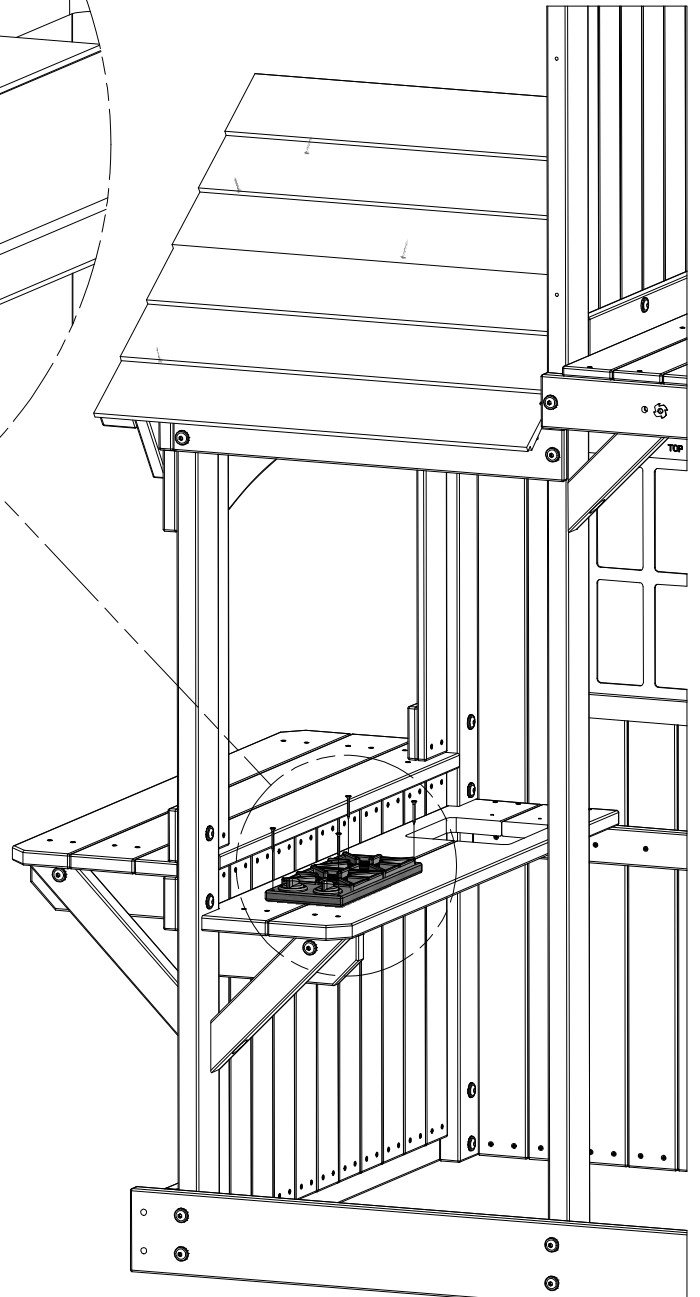
STEP 64

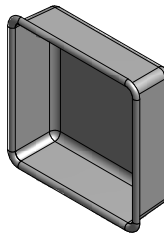


SCREW PFH 8x1 1/2
(4 PLCS)



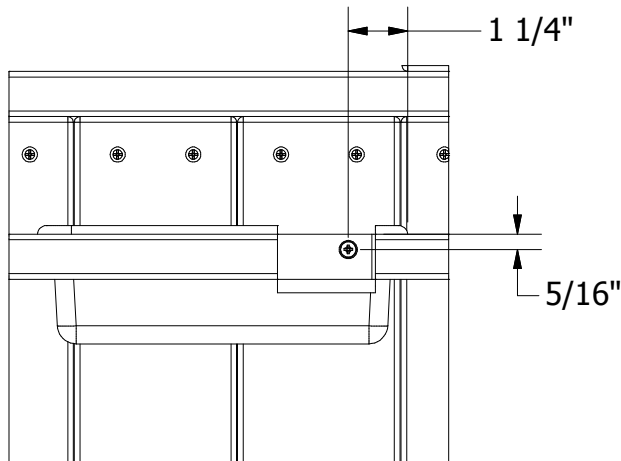
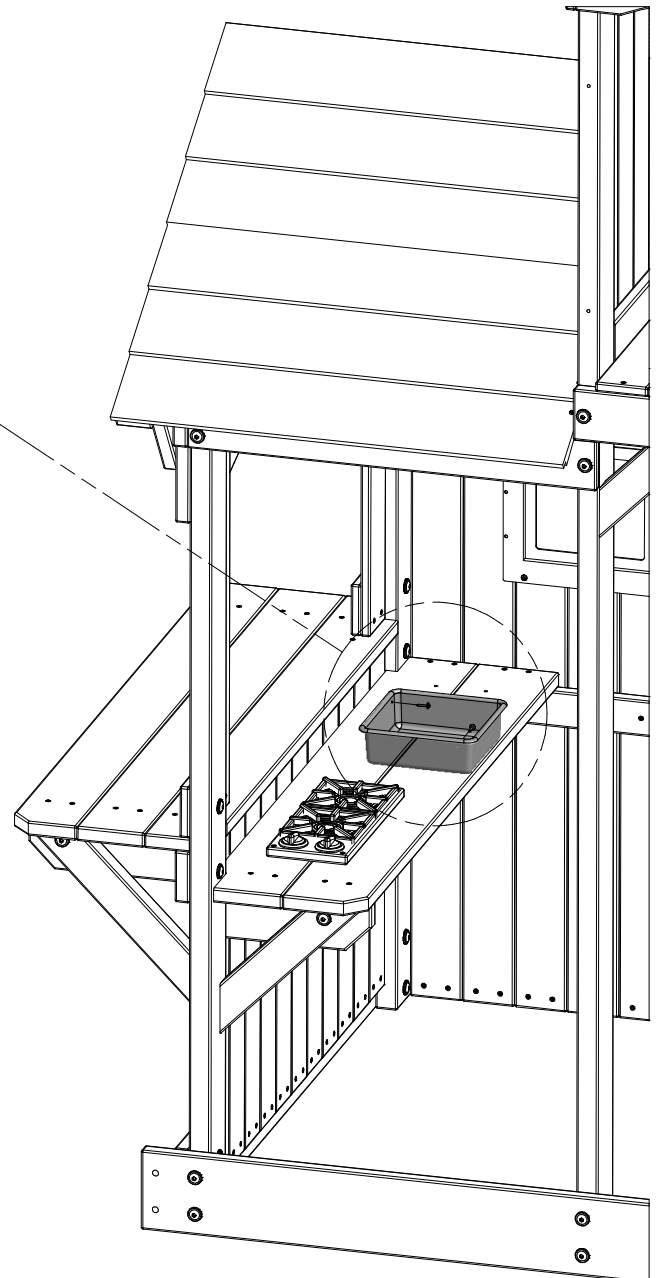
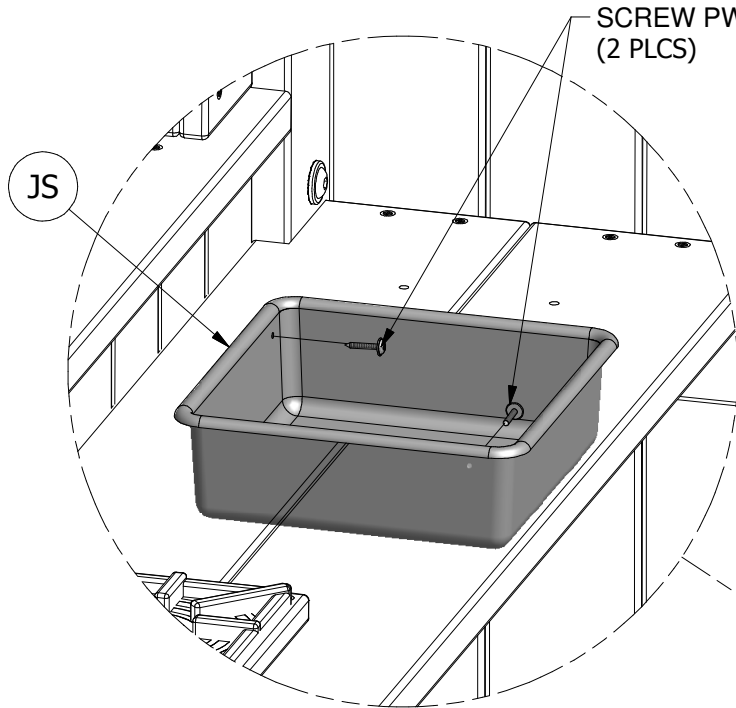
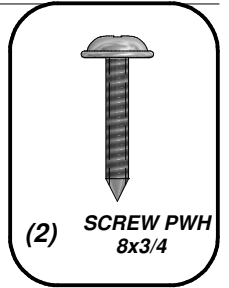
(4) SCREW PFH
8x1 1/2



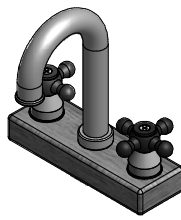


(1) JS - SQUARE SINK BOWL - A100129

STEP 65

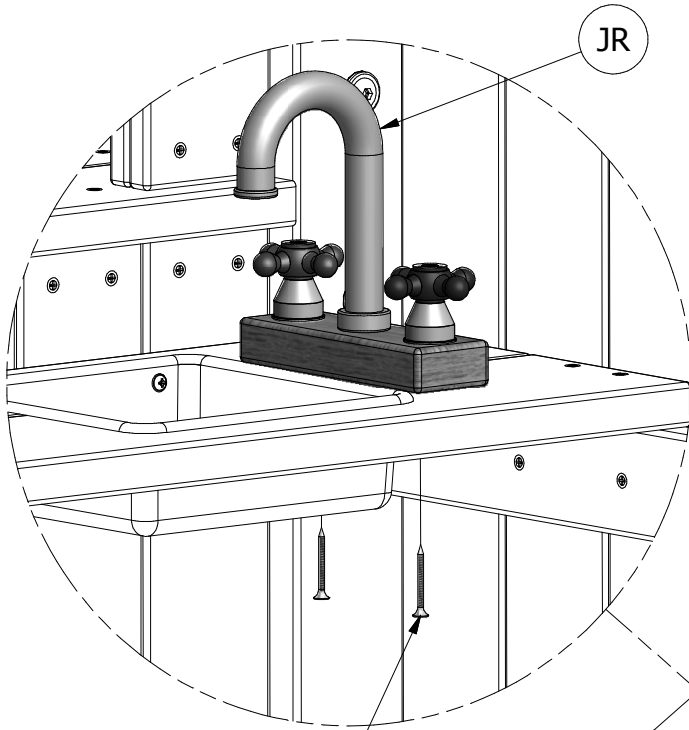


**SQUARE SINK BOWL
SCREW PLACEMENT
(2) LOCATIONS**



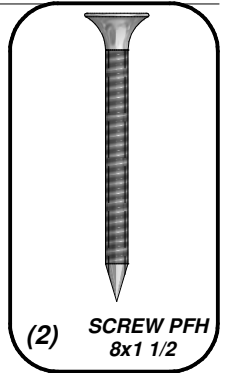
(1) JR - FAUCET KIT - A100125

STEP 66

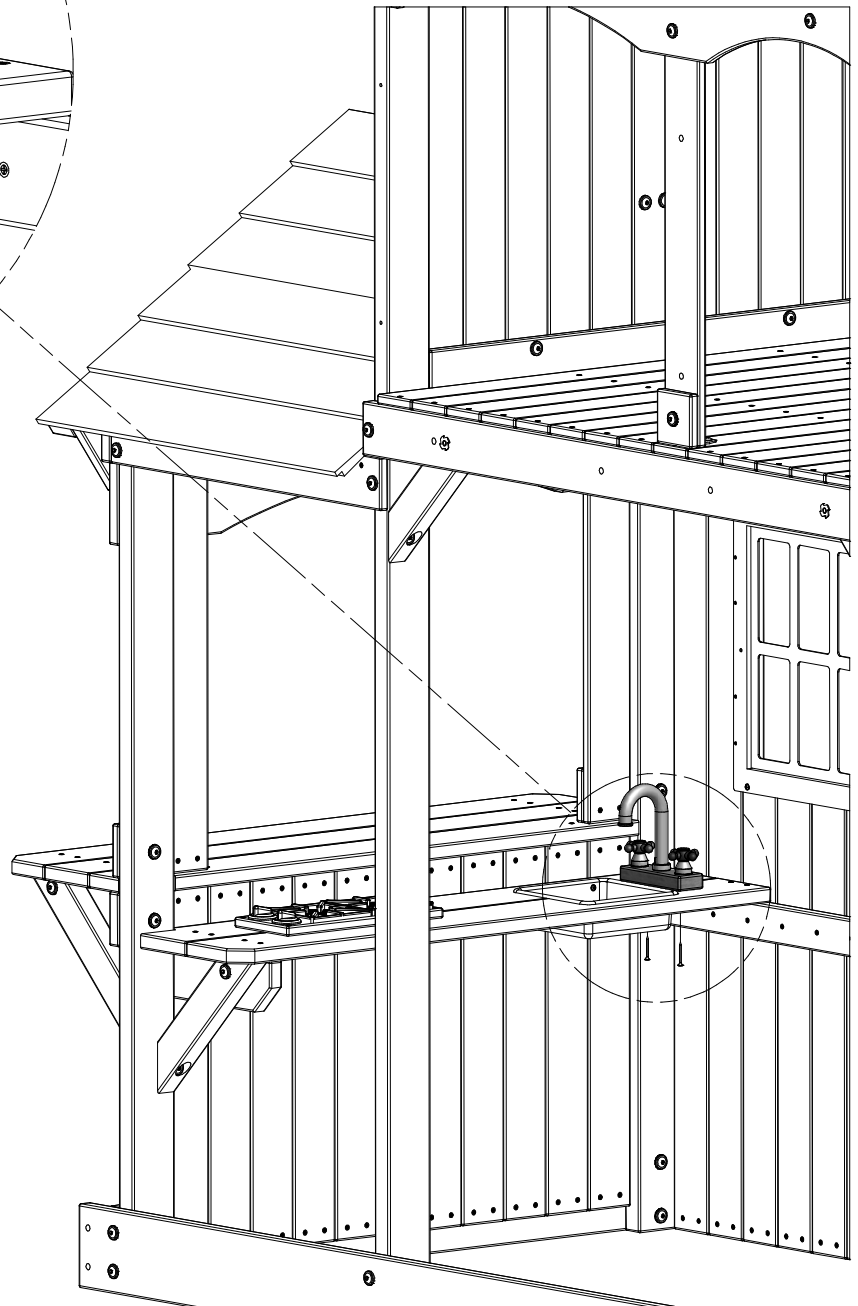


JR

SCREW PFH 8x1 1/2
(2 PLCS)



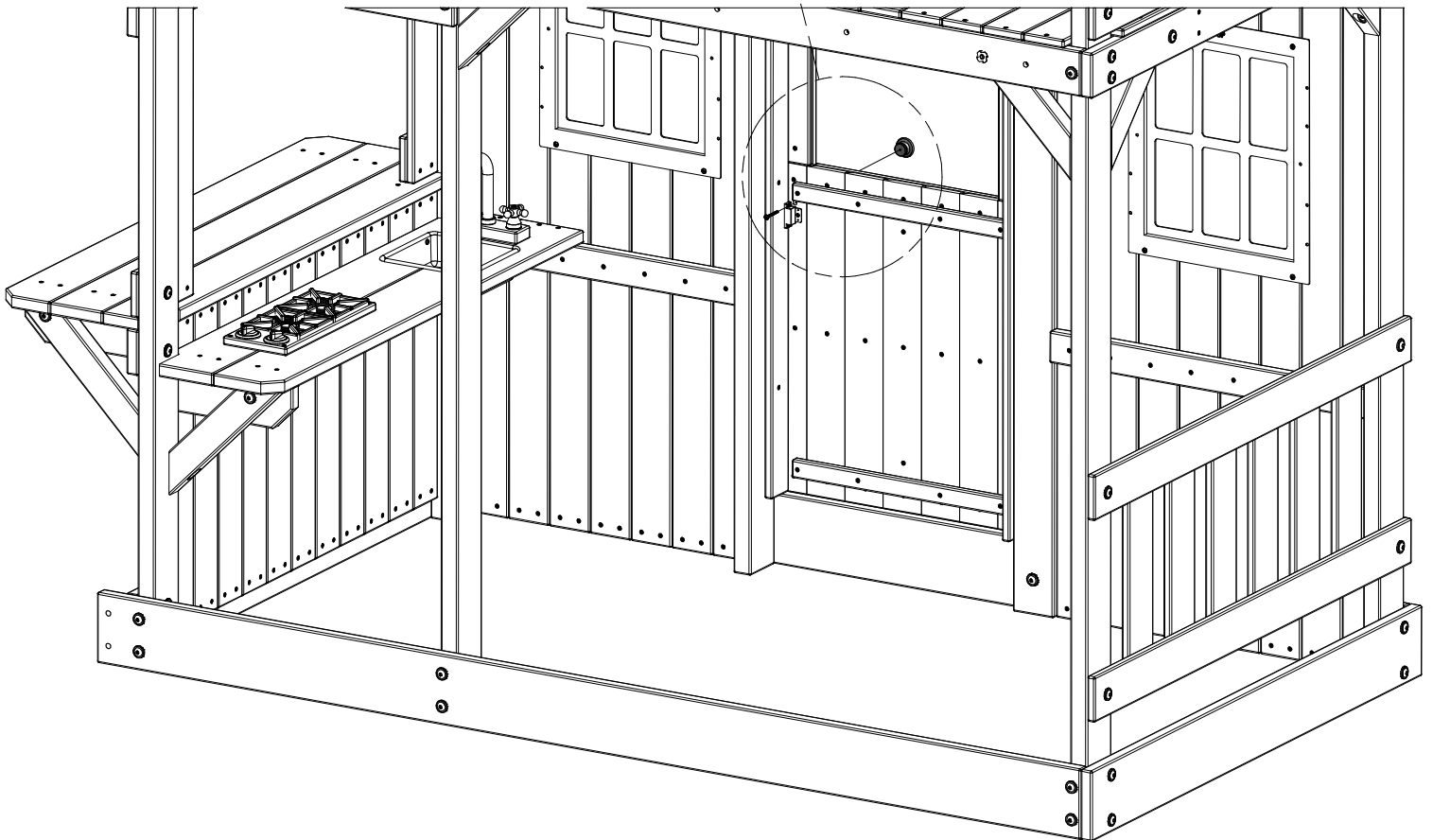
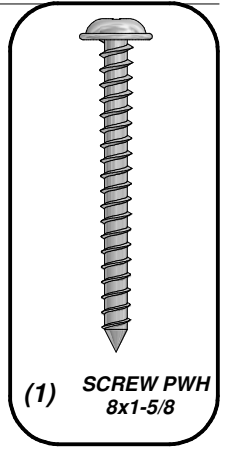
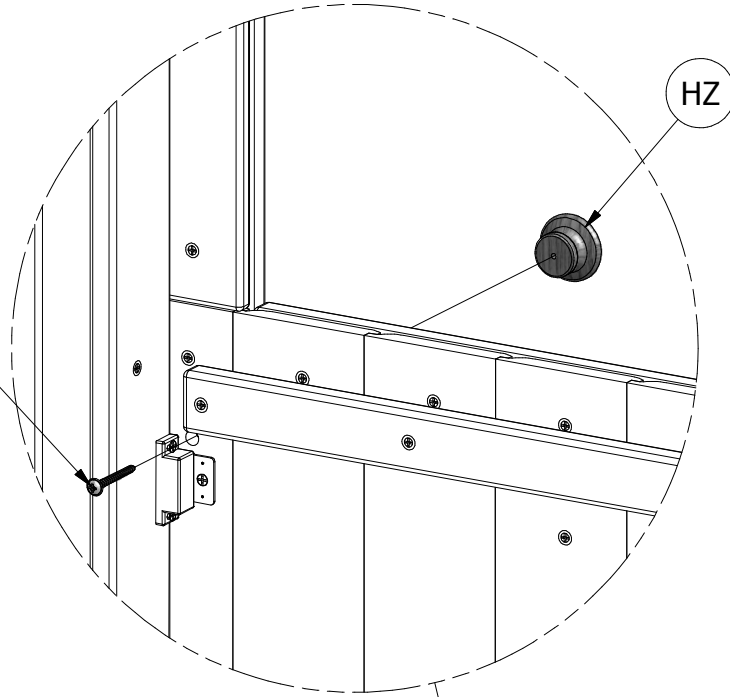
(2) SCREW PFH
8x1 1/2

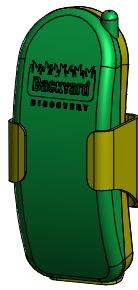




(1) HZ - KNOB - A100071

STEP 67

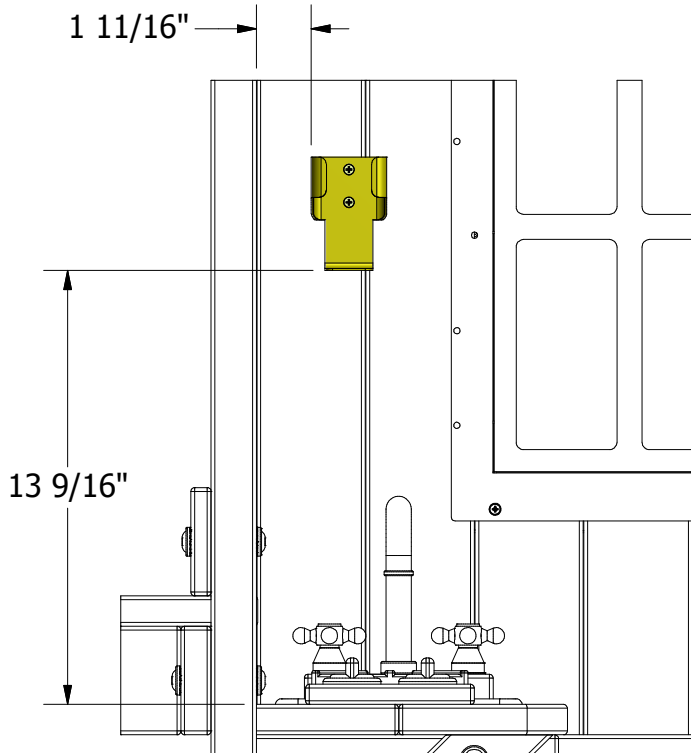
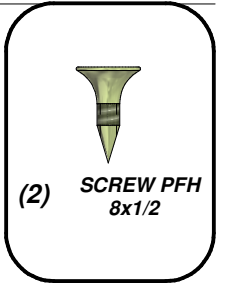
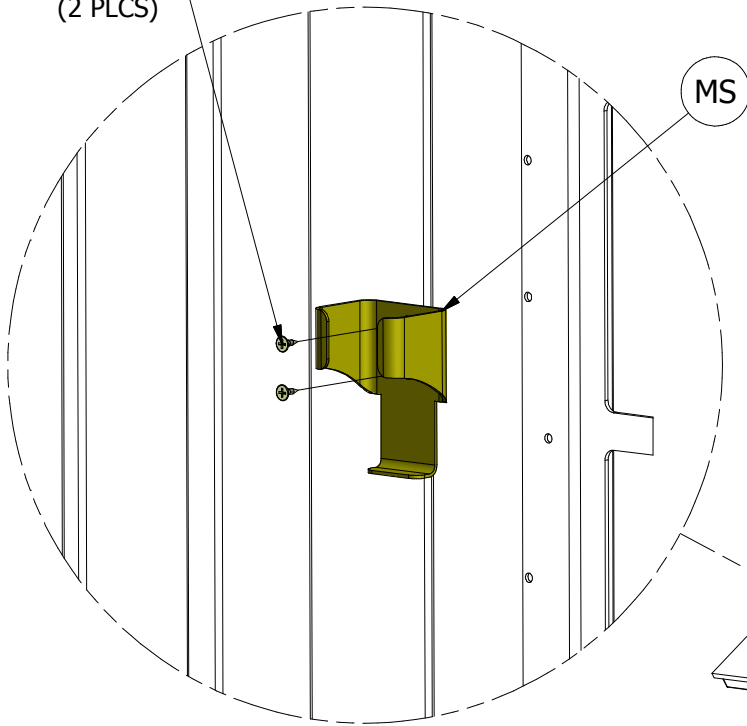




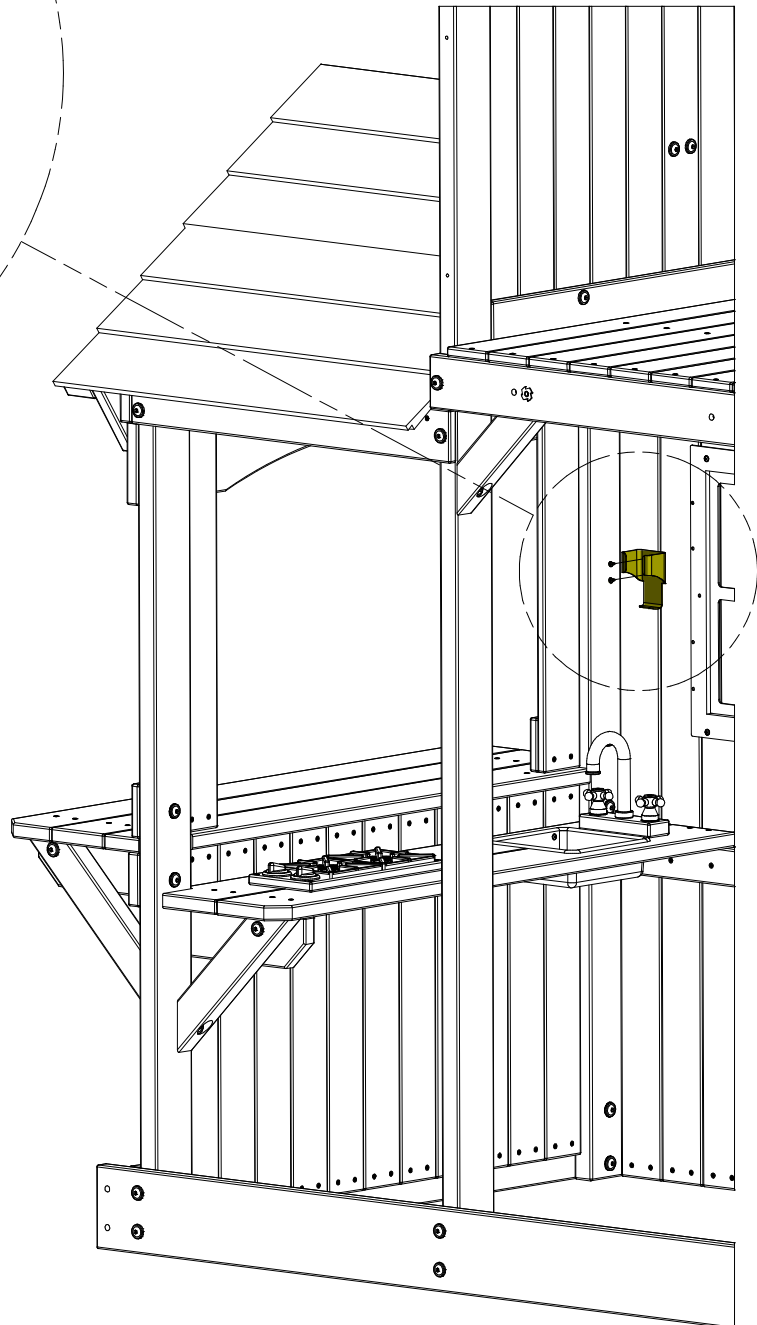
(1) MS - PHONE KIT - A100132

STEP 68

SCREW PFH 8x1/2
(2 PLCS)



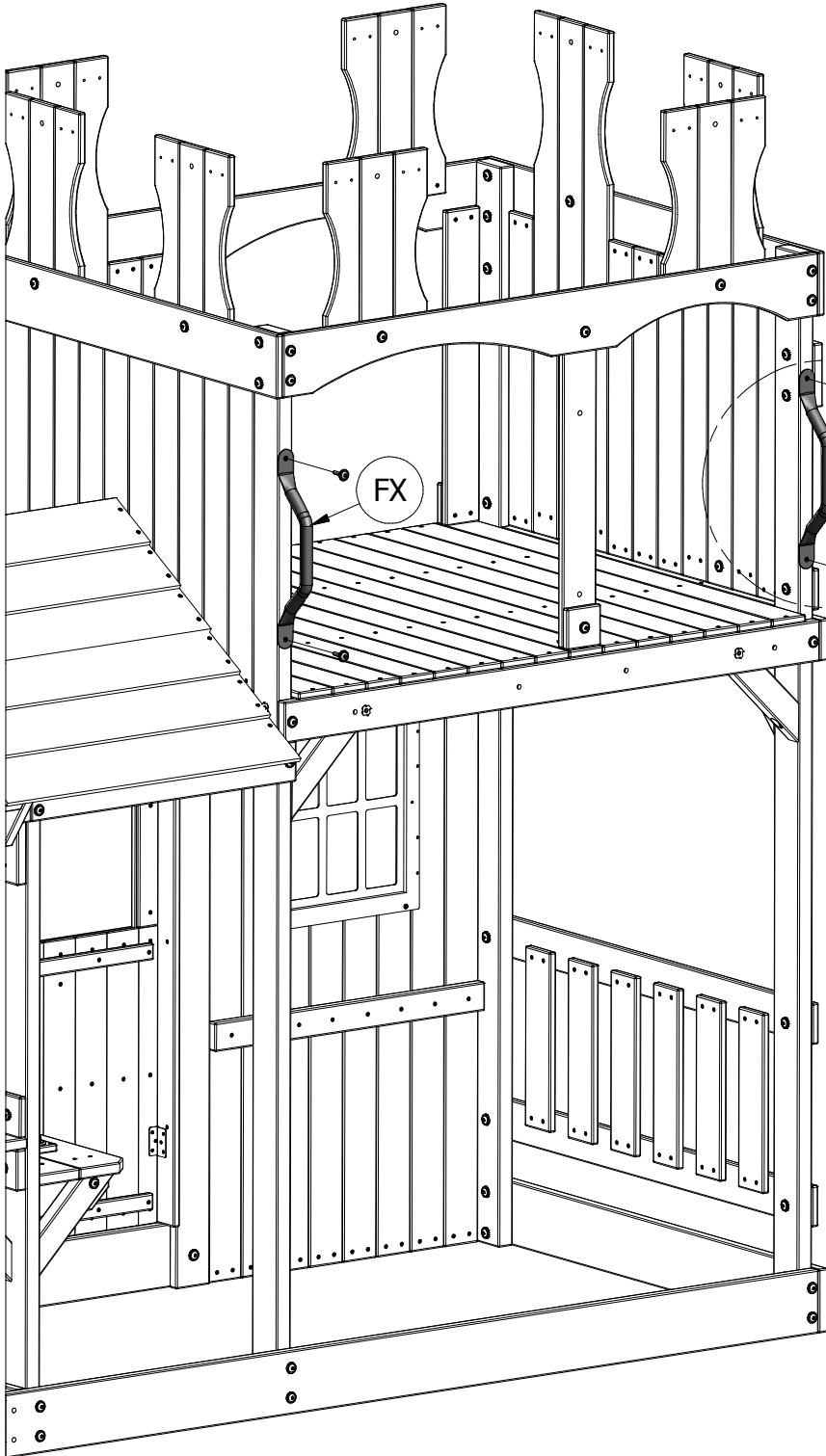
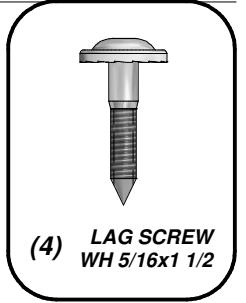
**PHONE HOLDER
PLACEMENT LOCATION**



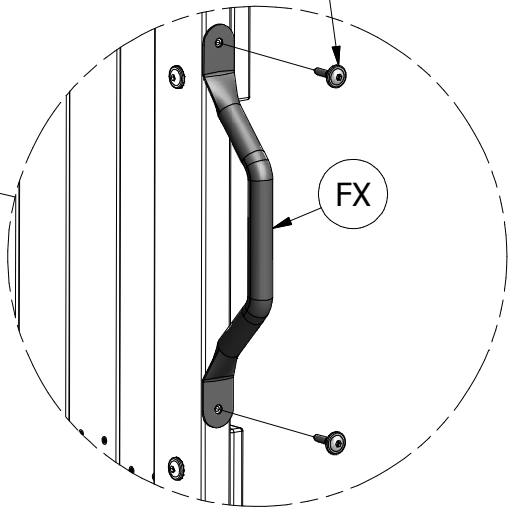


(2) FX - HAND GRIP METAL GREEN 381 c/c - A100118

STEP 69



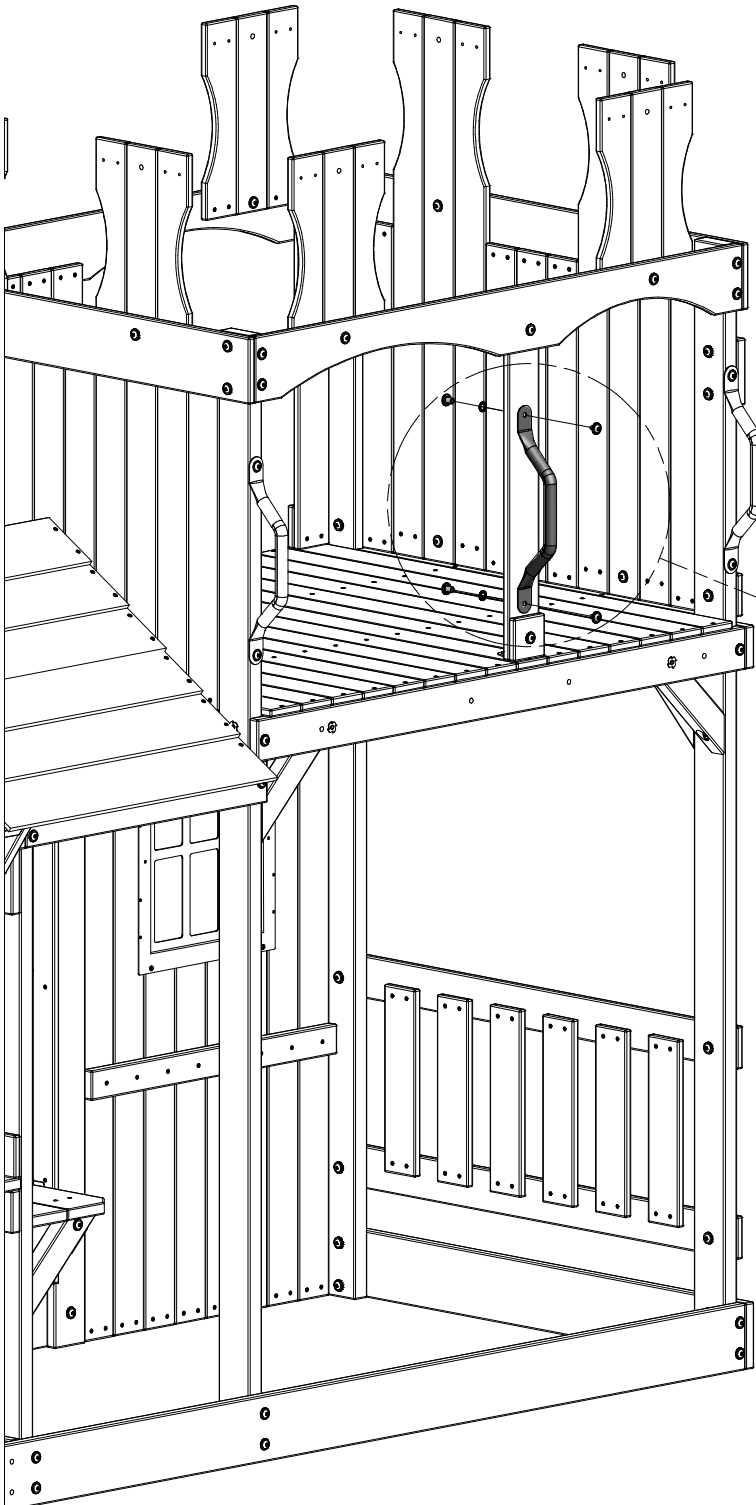
LAG SCREW WH 5/16x1 1/2
(4 PLCS)





(1) FX - HAND GRIP METAL GREEN 381 c/c - A100118

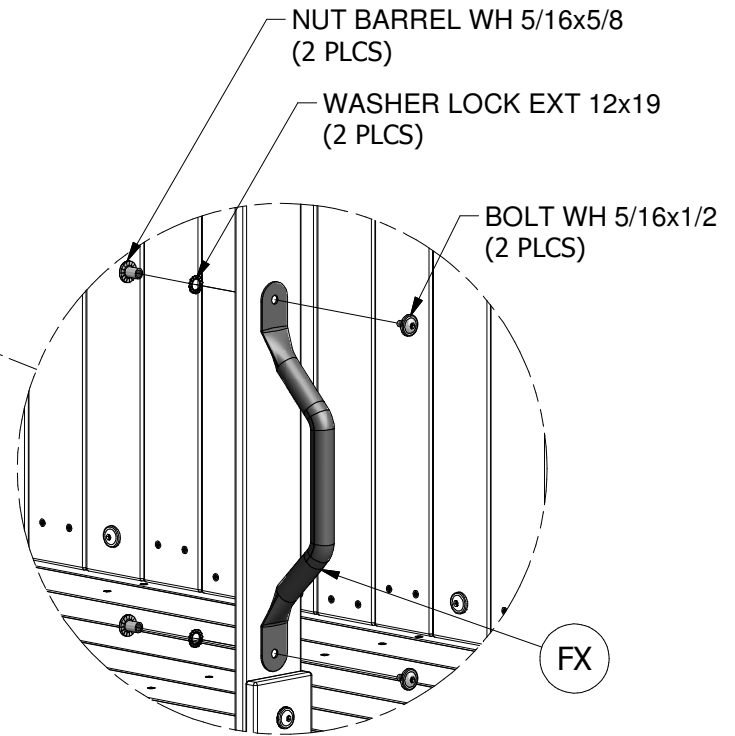
STEP 70



(2) WASHER LOCK EXT 12x19

(2) BOLT WH 5/16x1/2

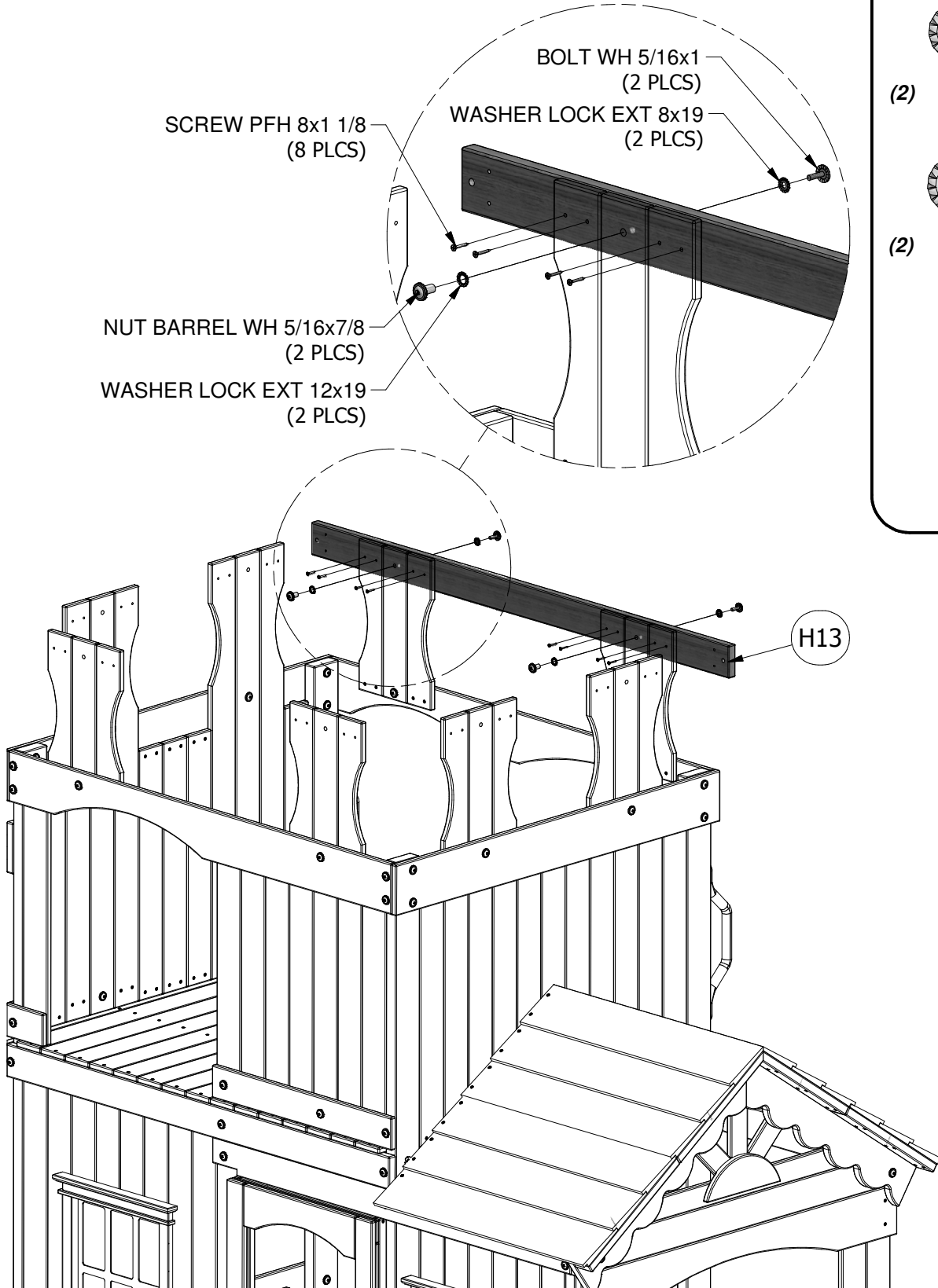
(2) NUT BARREL WH 5/16x5/8





(1) **H13 - HORIZONTAL ROOF SUPPORT - W104146**
1"x3 3/8"x58 7/8" (24x86x1494)

STEP 71



SCREW PFH 8x1 1/8
(8 PLCS)

NUT BARREL WH 5/16x7/8
(2 PLCS)

WASHER LOCK EXT 12x19
(2 PLCS)

BOLT WH 5/16x1
(2 PLCS)
WASHER LOCK EXT 8x19
(2 PLCS)

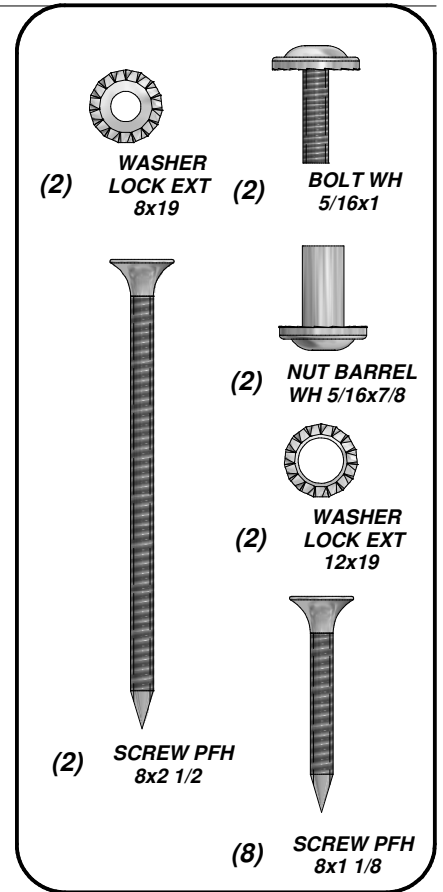
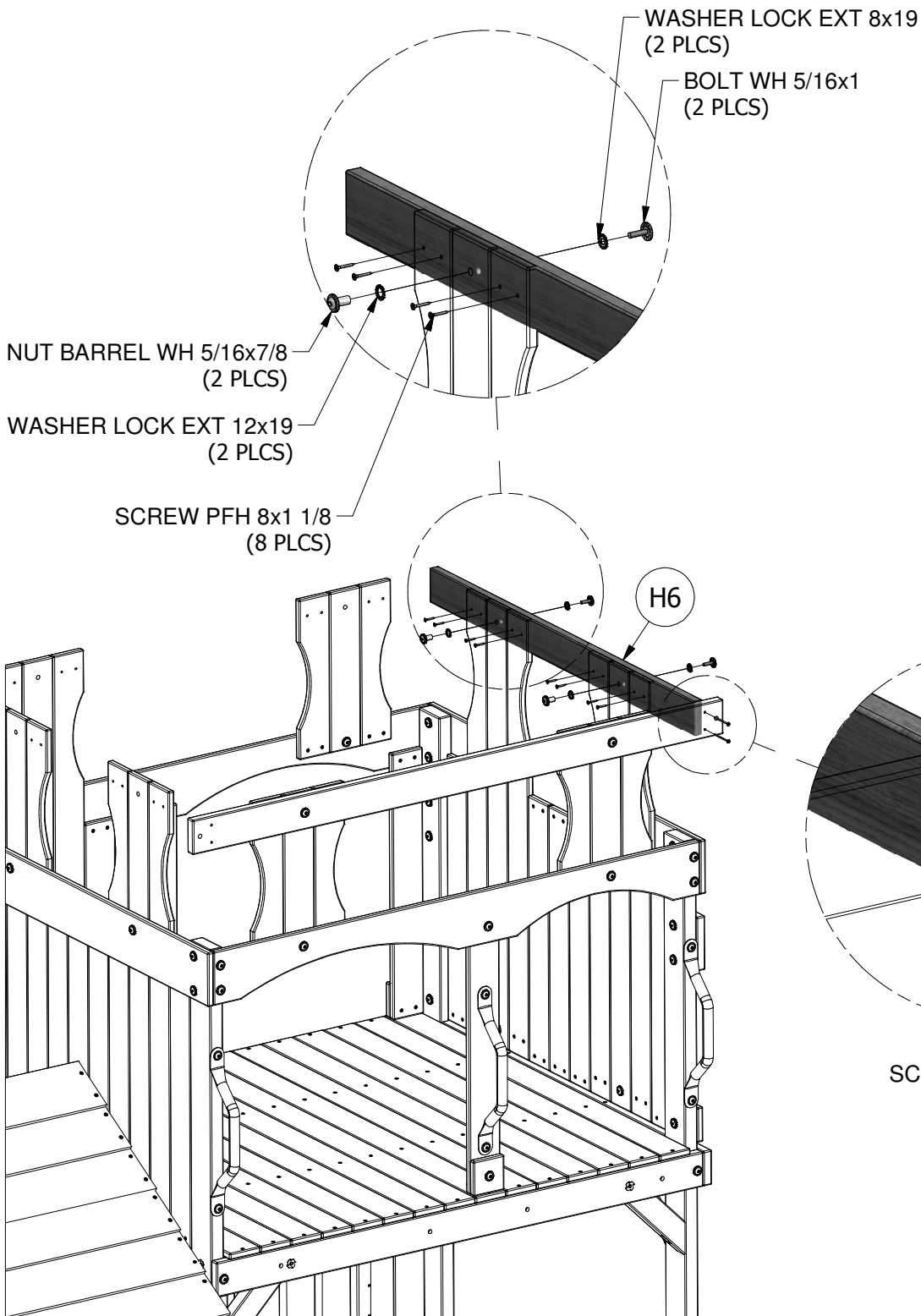
H13

- (2) WASHER LOCK EXT 8x19
- (2) BOLT WH 5/16x1
- (2) WASHER LOCK EXT 12x19
- (2) NUT BARREL WH 5/16x7/8
- (8) SCREW PFH 8x1 1/8



(1) **H6 - HORIZONTAL ROOF SUPPORT - W104145**
1"x3 3/8"x44 1/4" (24x86x1124)

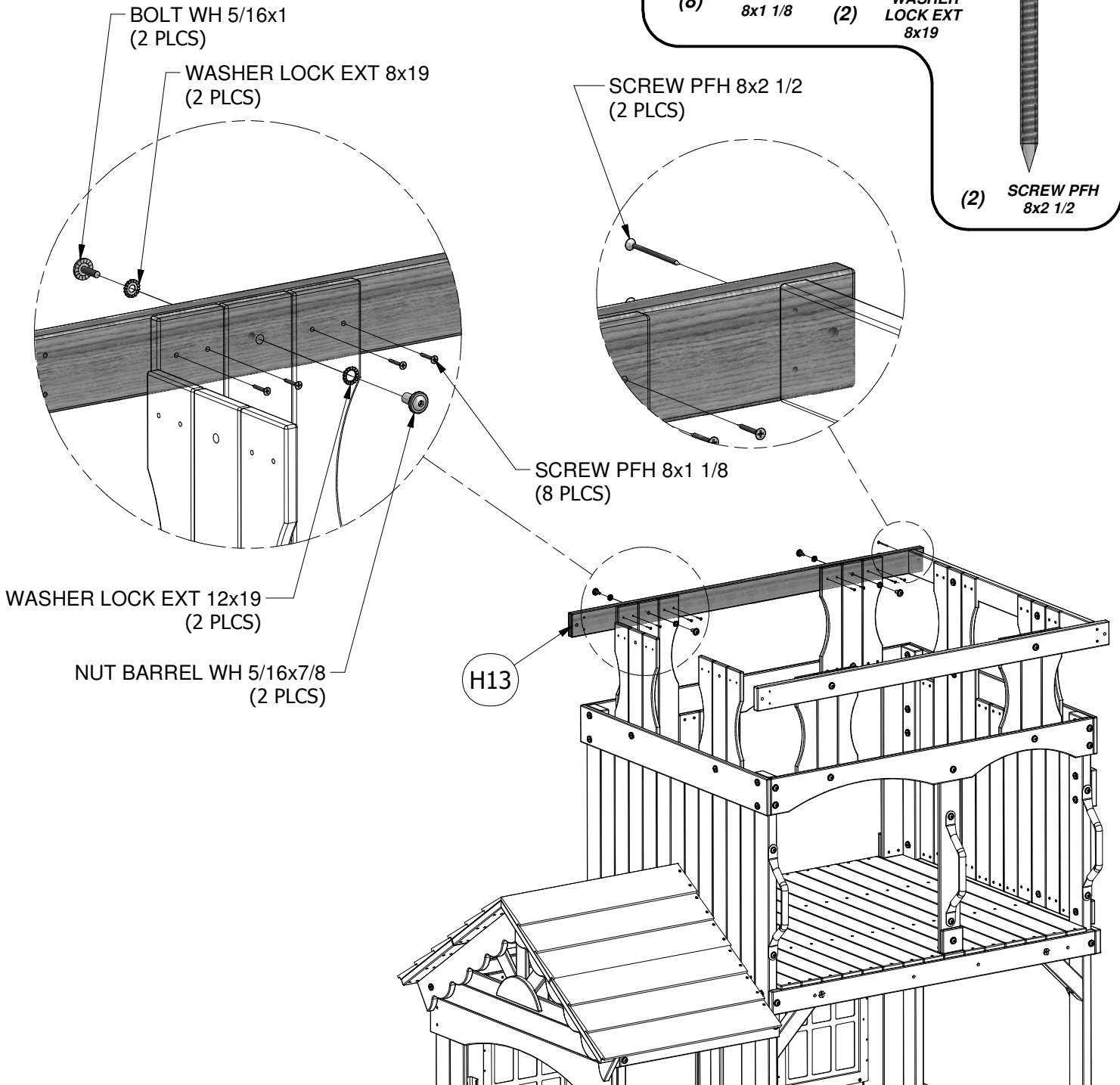
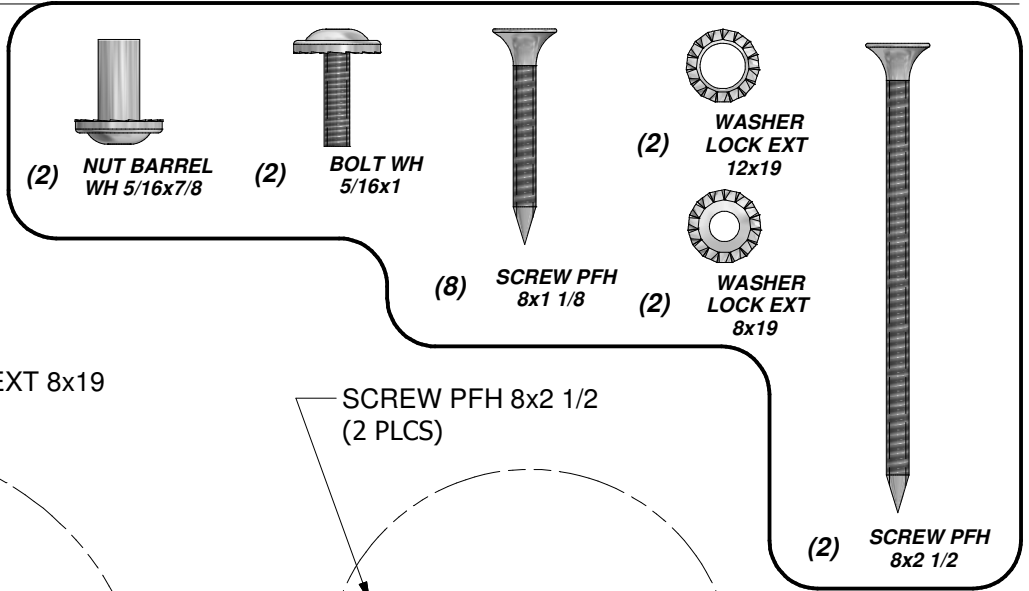
STEP 72





(1) **H13 - HORIZONTAL ROOF SUPPORT - W104146**
1"x3 3/8"x58 7/8" (24x86x1494)

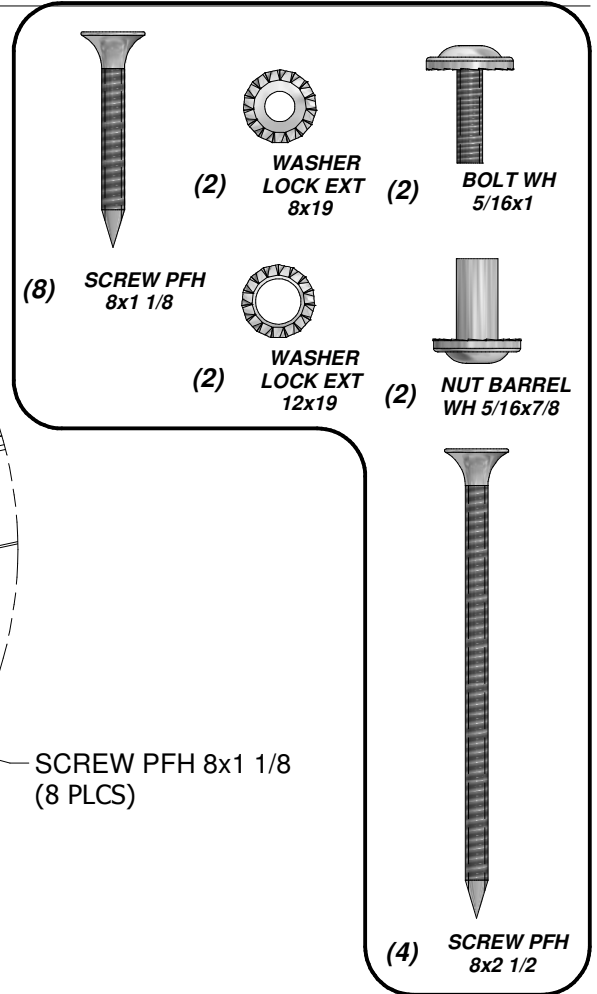
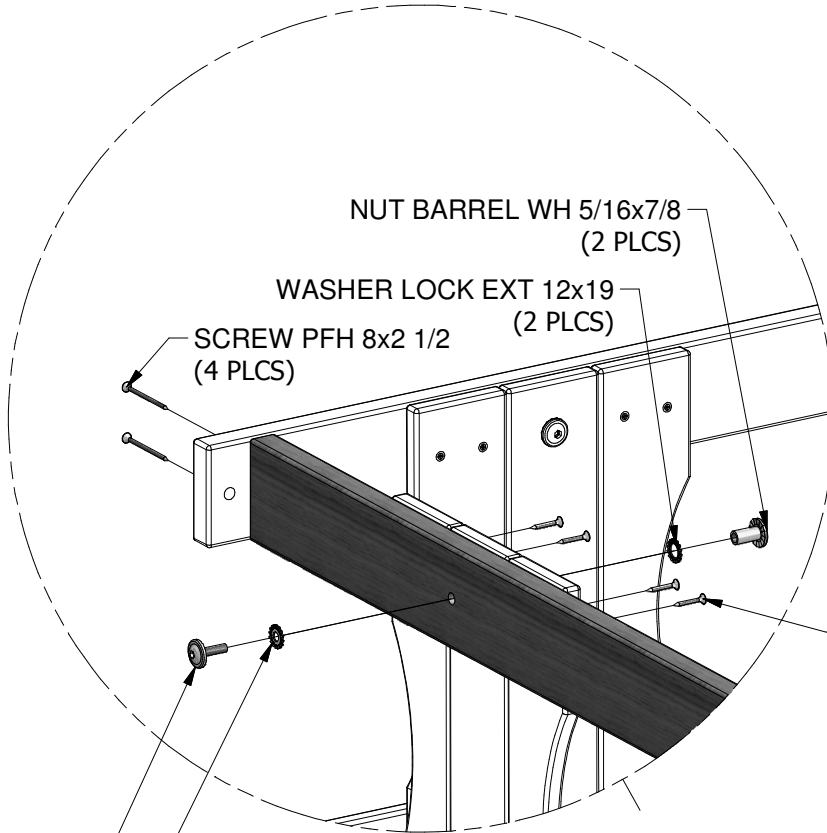
STEP 73



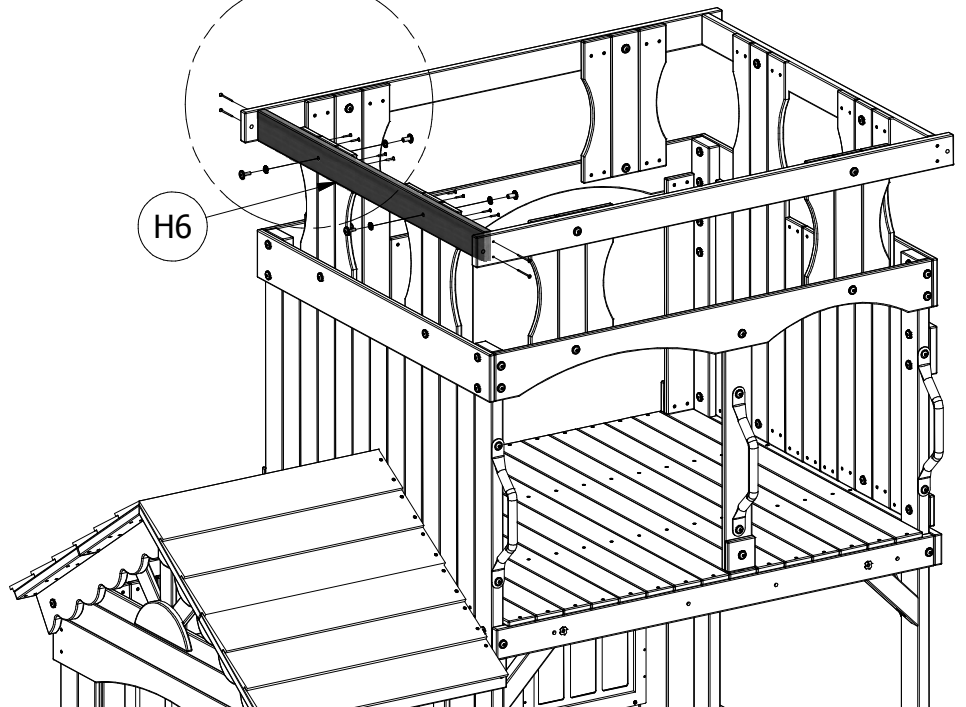


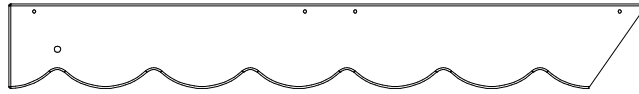
(1) **H6 - HORIZONTAL ROOF SUPPORT - W104145**
1"x3 3/8"x44 1/4" (24x86x1124)

STEP 74



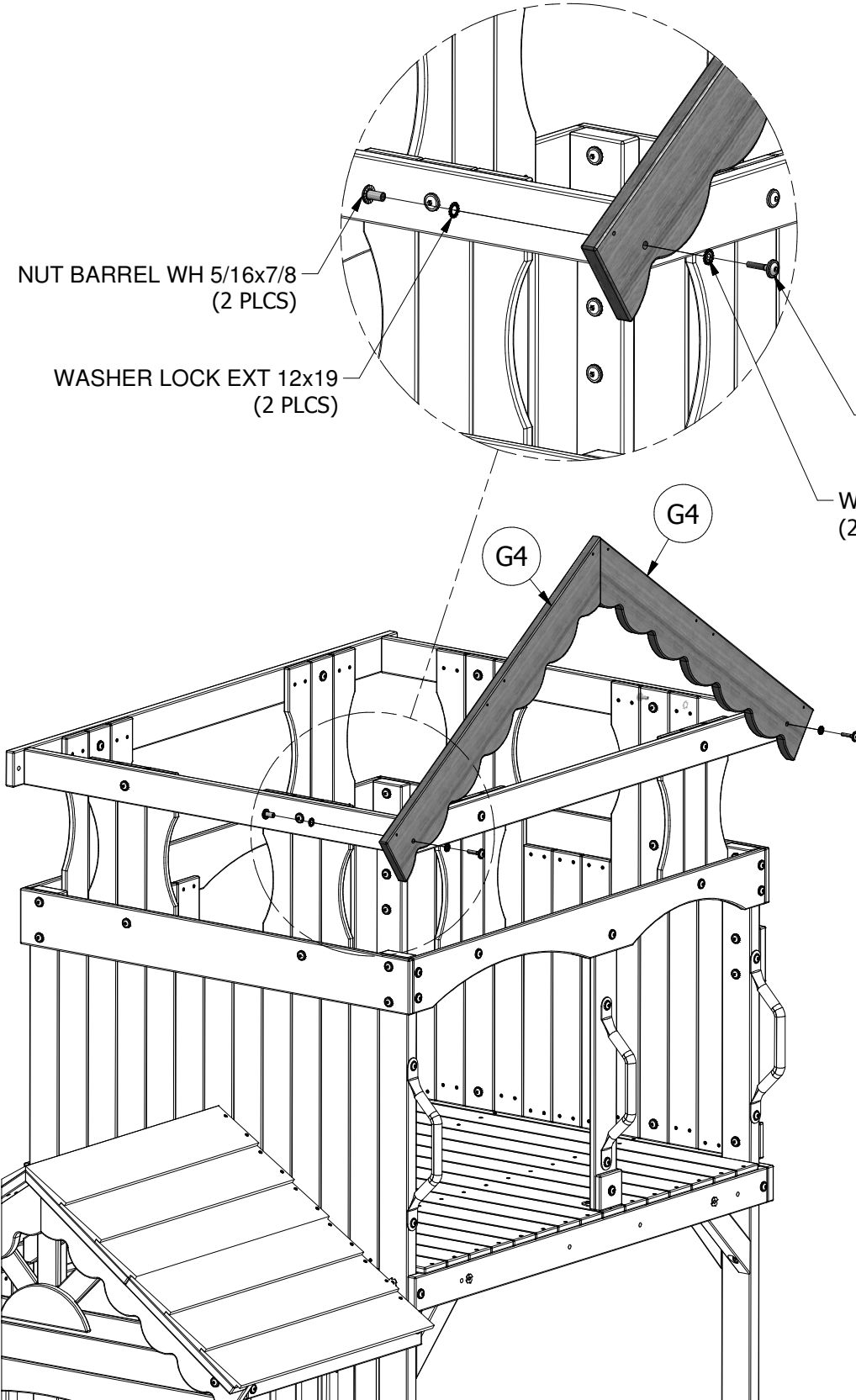
WASHER LOCK EXT 8x19 (2 PLCS)
BOLT WH 5/16x1 (2 PLCS)





(2) **G4 - FORT GABLE BOARD - W104150**
1"x5 1/4"x39 7/8" (24x134x1014)

STEP 75

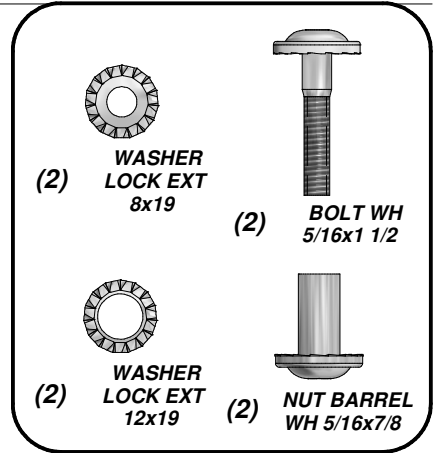


NUT BARREL WH 5/16x7/8
(2 PLCS)

WASHER LOCK EXT 12x19
(2 PLCS)

BOLT WH 5/16x1 1/2
(2 PLCS)

WASHER LOCK EXT 8x19
(2 PLCS)



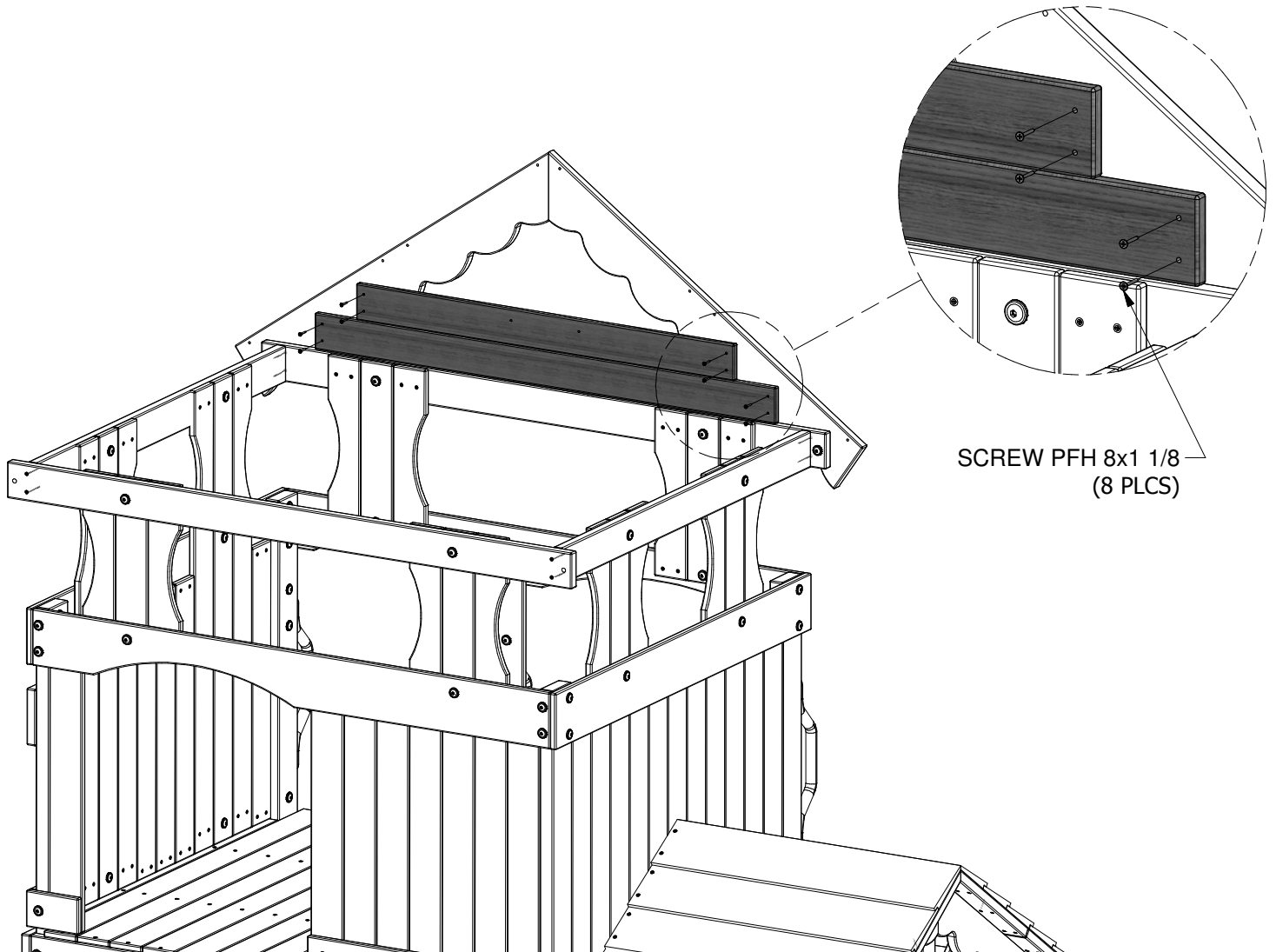
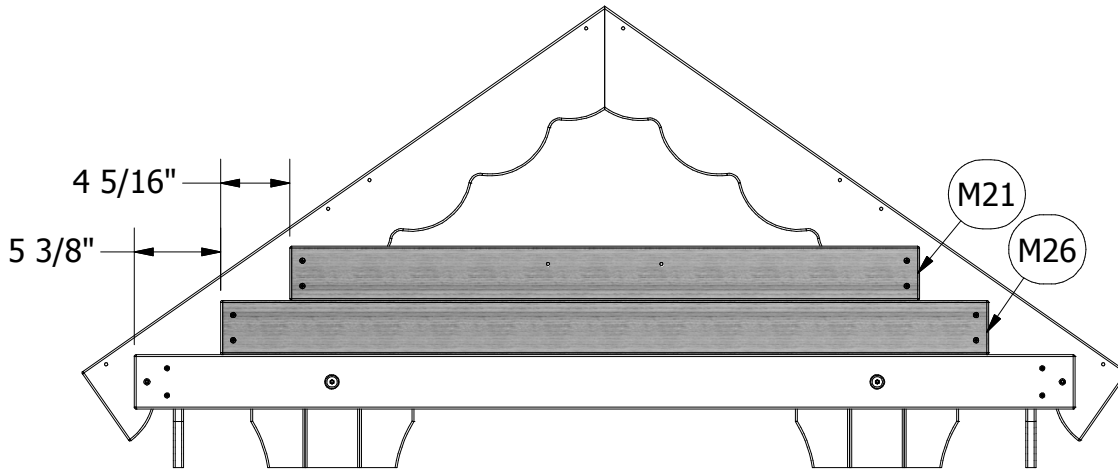
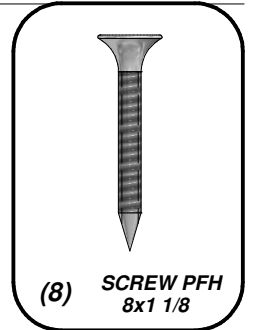


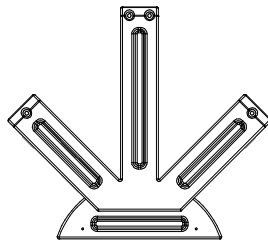
(1) **M21 - GABLE BOARD - W104158**
5/8"x3 3/8"x39 3/8" (16x86x1000)



(1) **M26 - GABLE BOARD - W104157**
5/8"x3 3/8"x48" (16x86x1220)

STEP 76

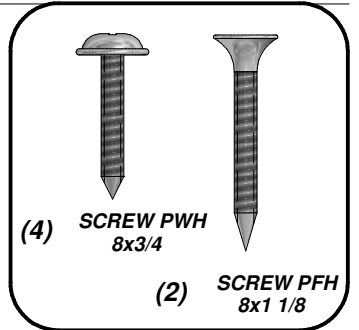
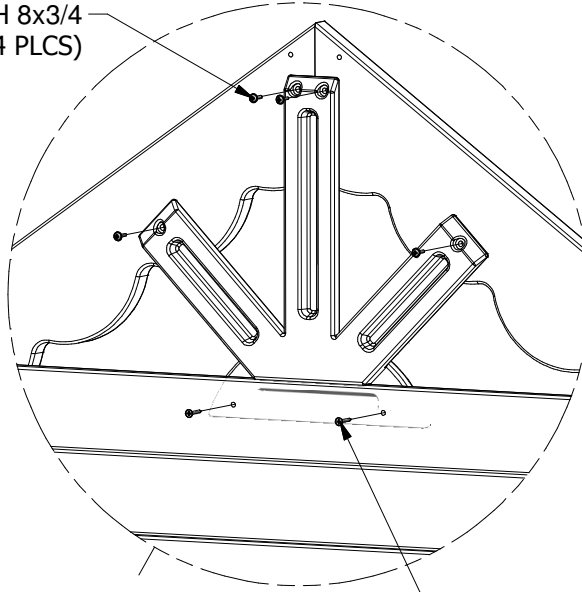




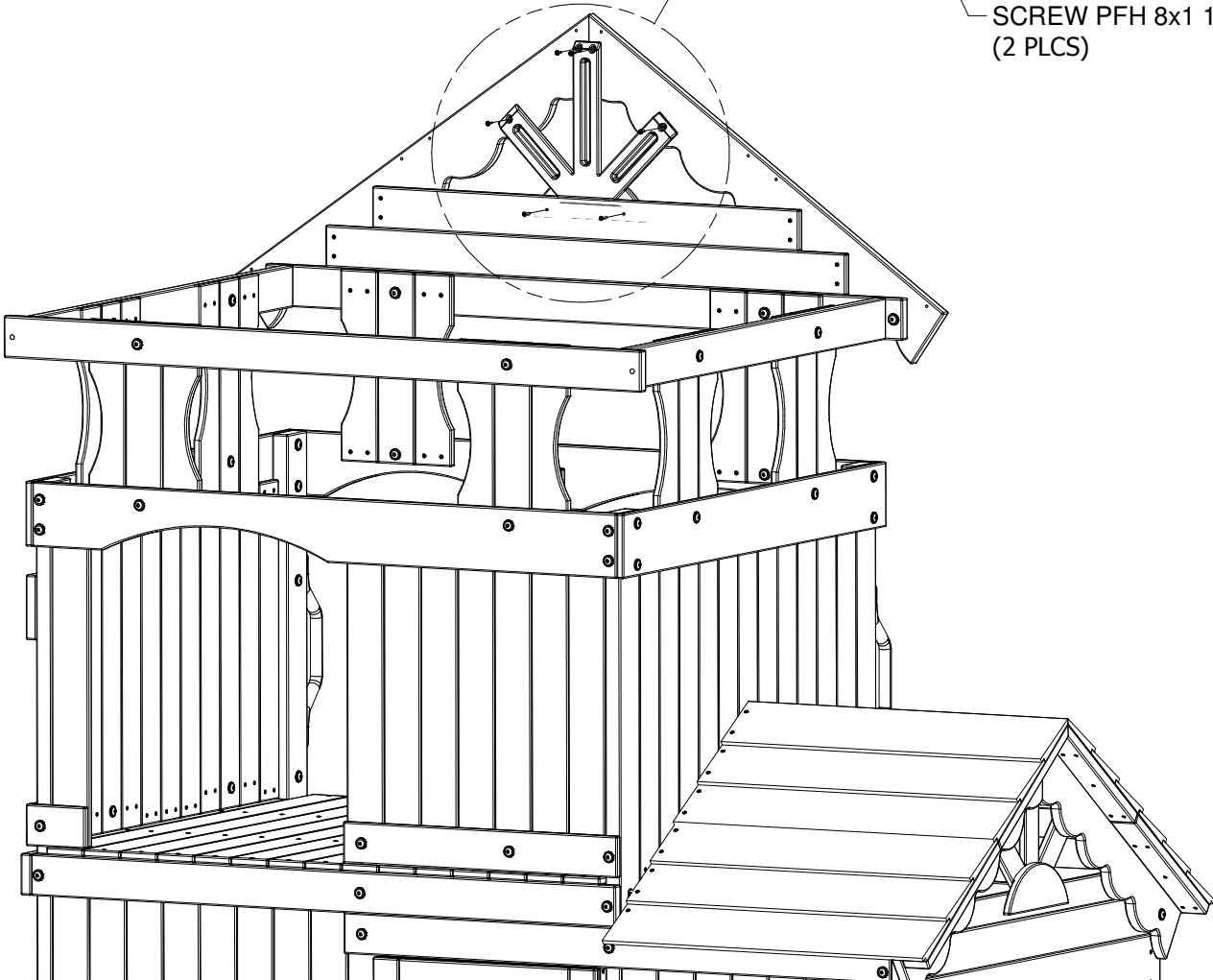
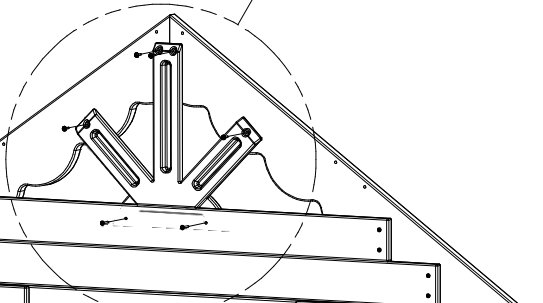
(1) VB - PLASTIC SUNBURST - A100361

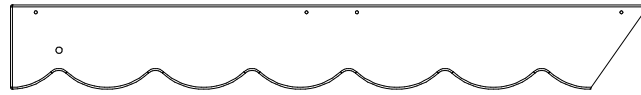
STEP 77

SCREW PWH 8x3/4
(4 PLCS)



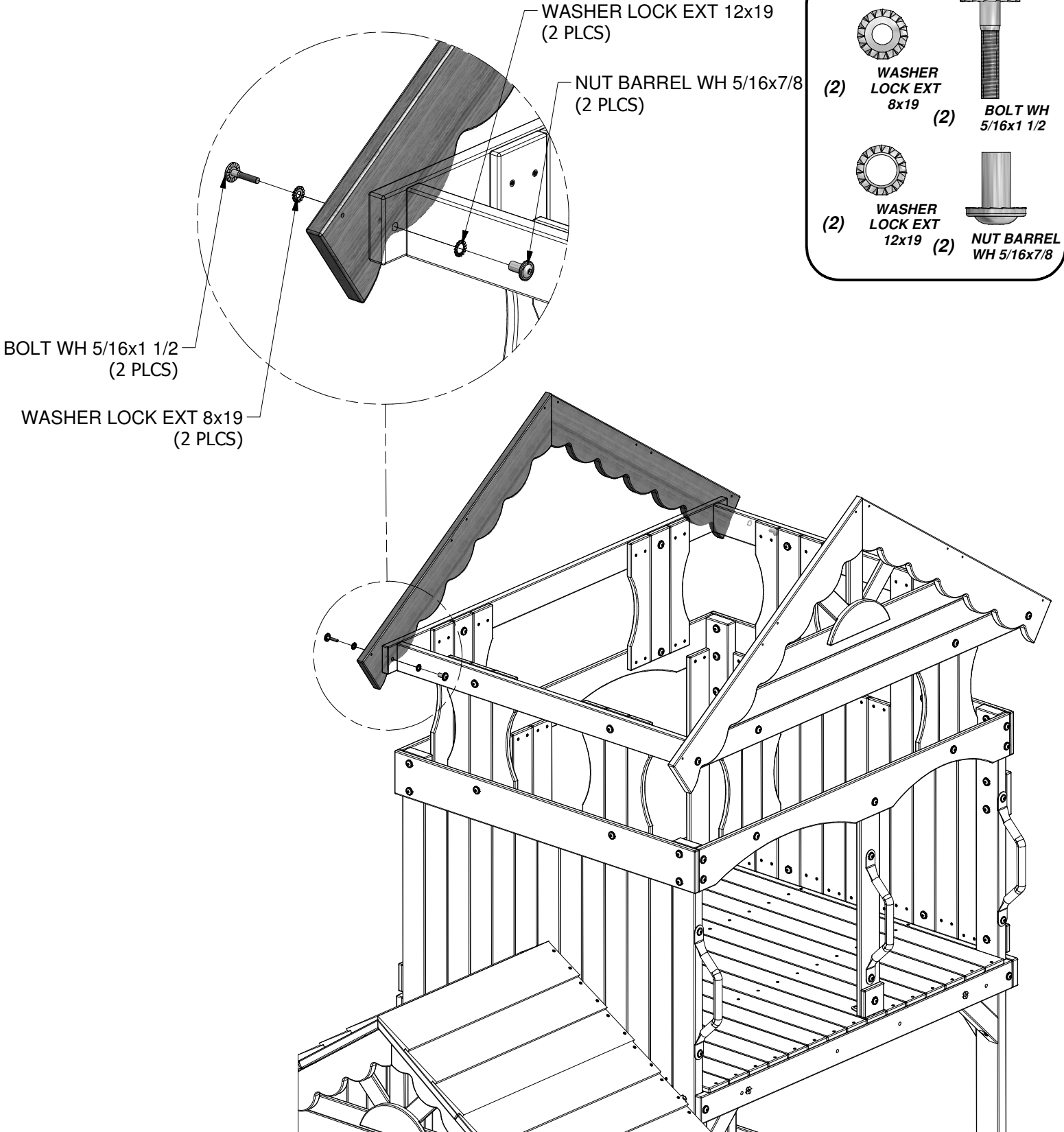
SCREW PFH 8x1 1/8
(2 PLCS)





(2) **G4 - FORT GABLE BOARD - W104150**
1"x5 1/4"x39 7/8" (24x134x1014)

STEP 78



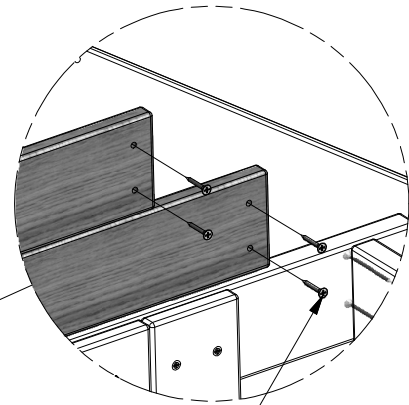
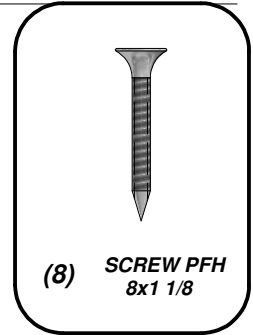
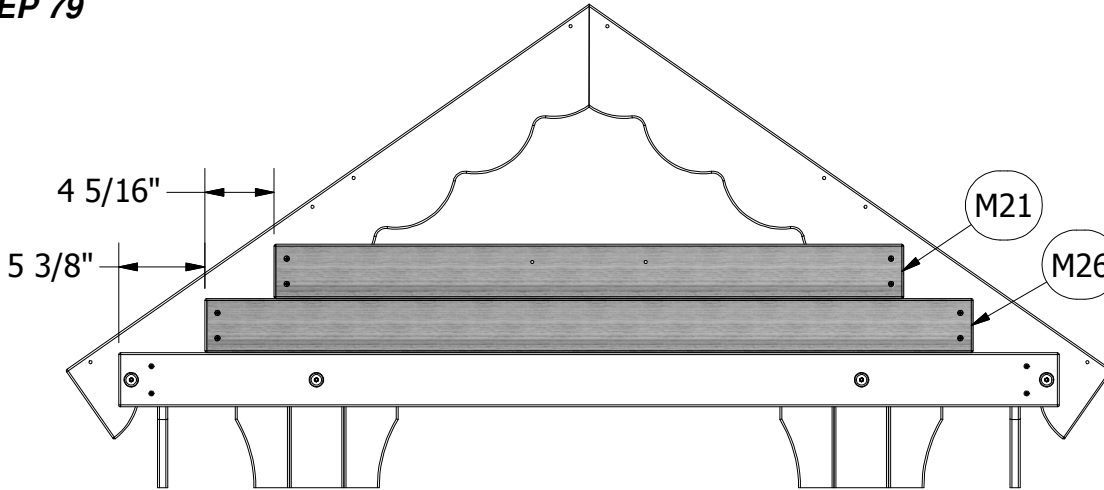


(1) **M21 - GABLE BOARD - W104158**
5/8"x3 3/8"x39 3/8" (16x86x1000)

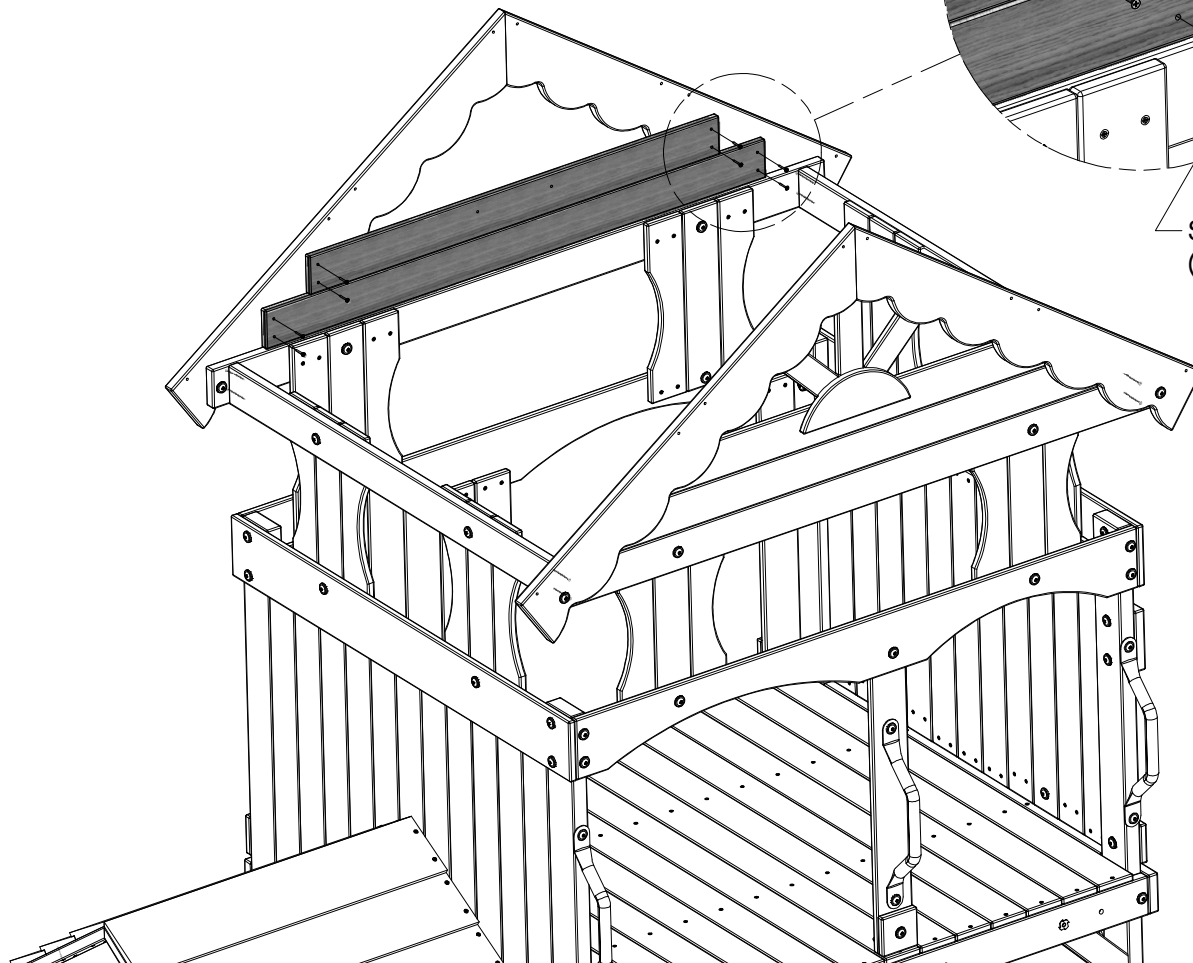


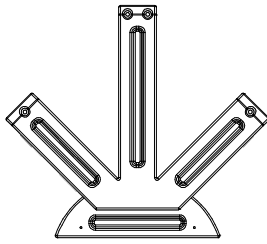
(1) **M26 - GABLE BOARD - W104157**
5/8"x3 3/8"x48" (16x86x1220)

STEP 79



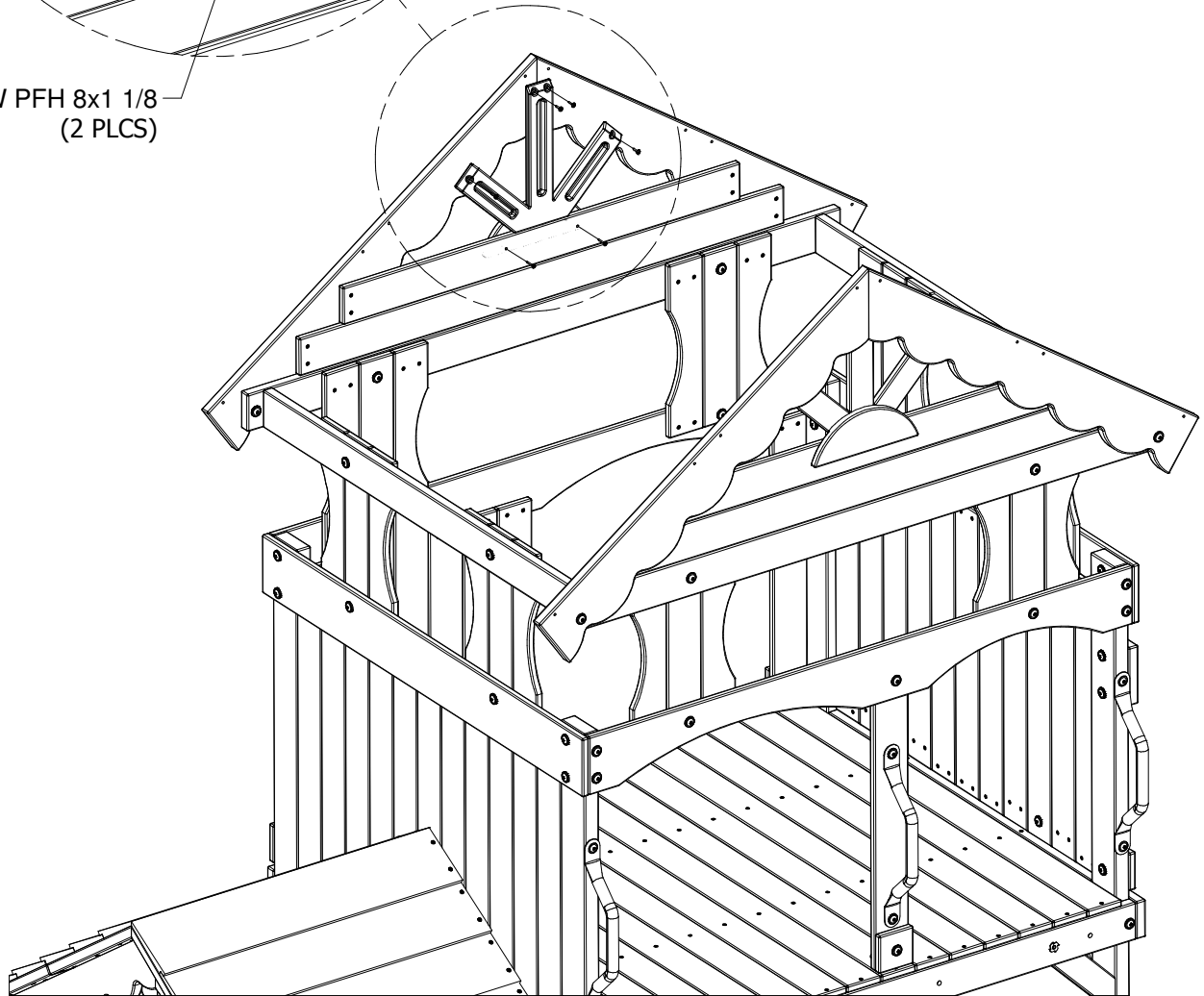
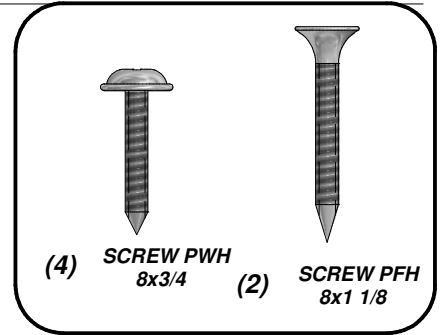
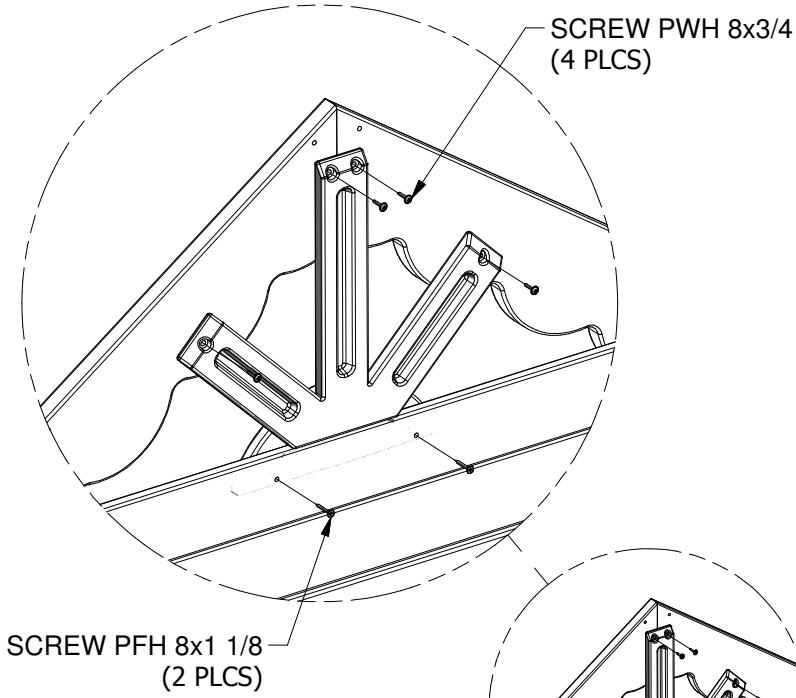
SCREW PFH 8x1 1/8
(8 PLCS)





(1) VB - PLASTIC SUNBURST - A100361

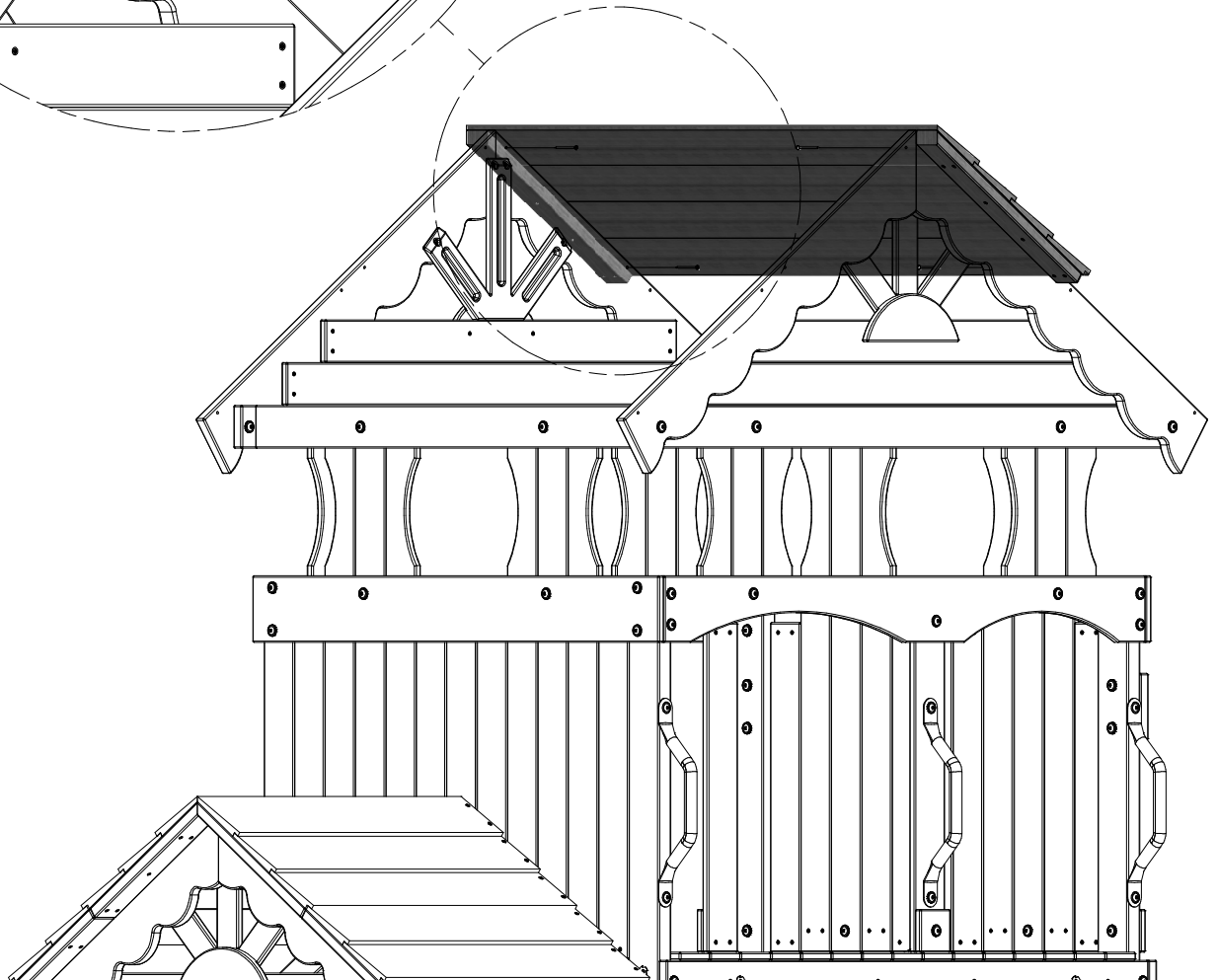
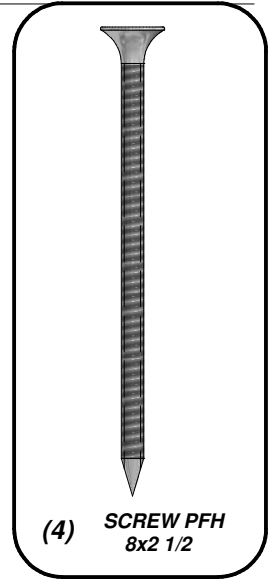
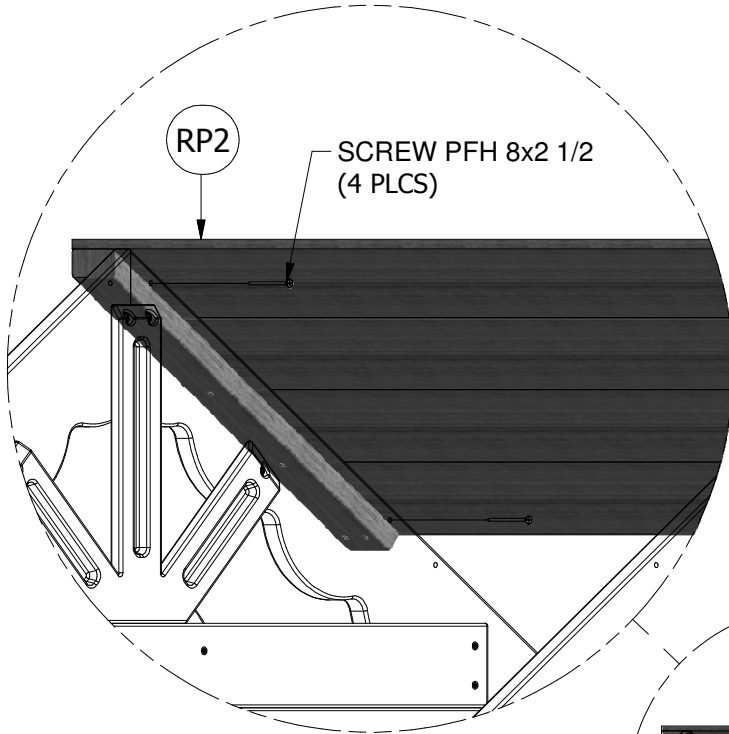
STEP 80

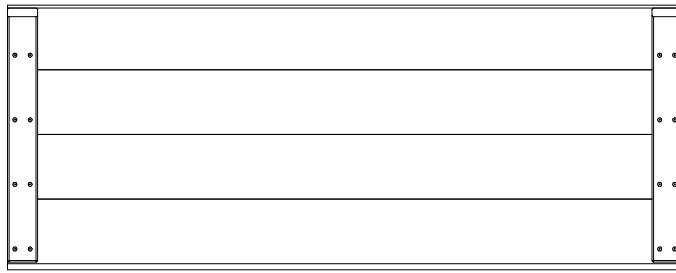




(1) RP2 - ROOF PANEL - W104149

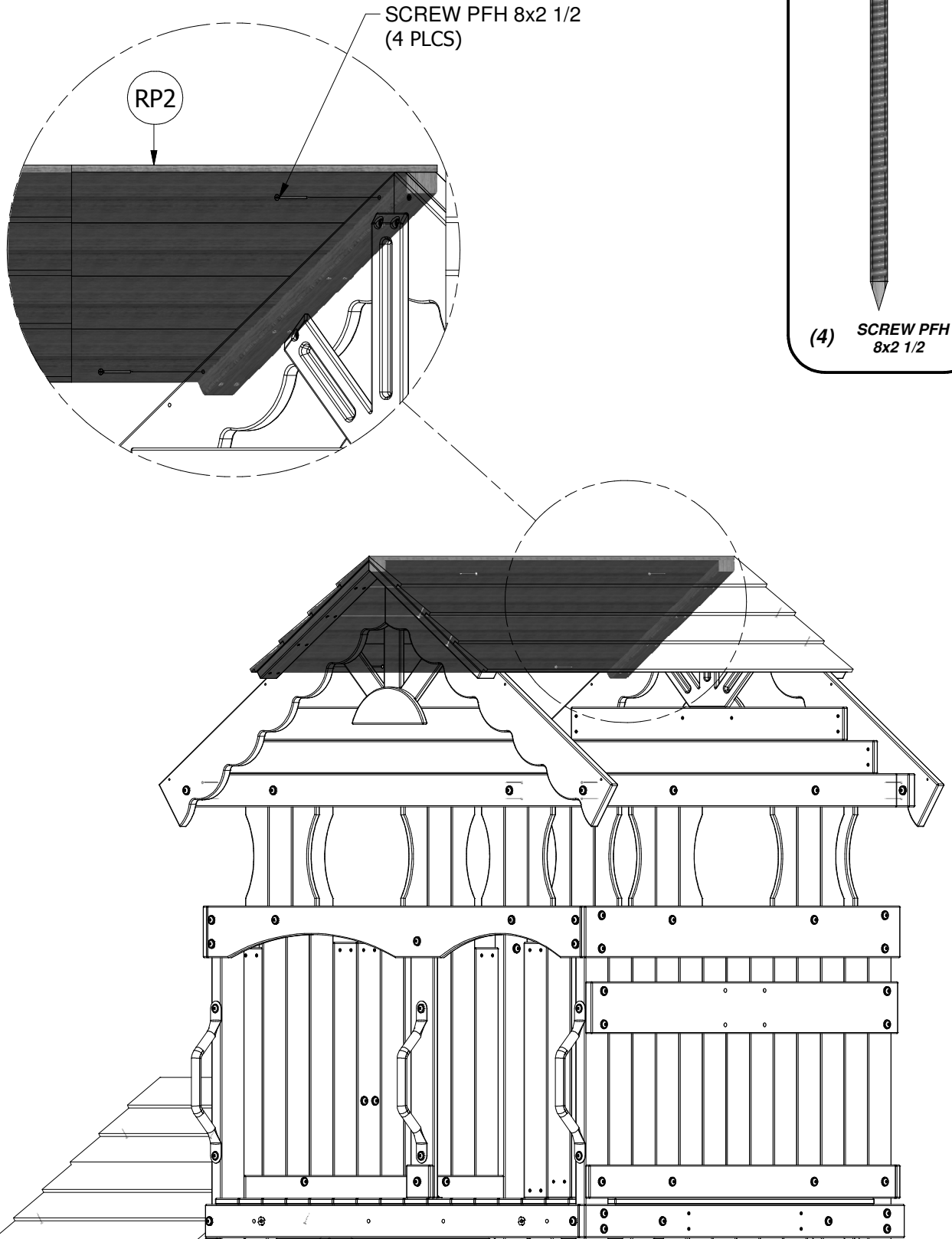
STEP 81





(1) RP2 - ROOF PANEL - W104149

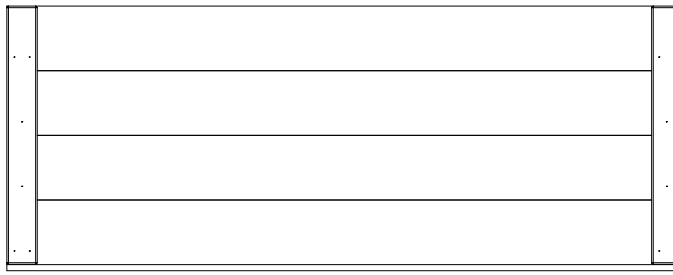
STEP 82



SCREW PFH 8x2 1/2
(4 PLCS)

RP2

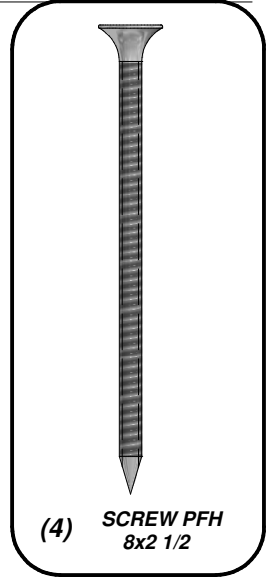
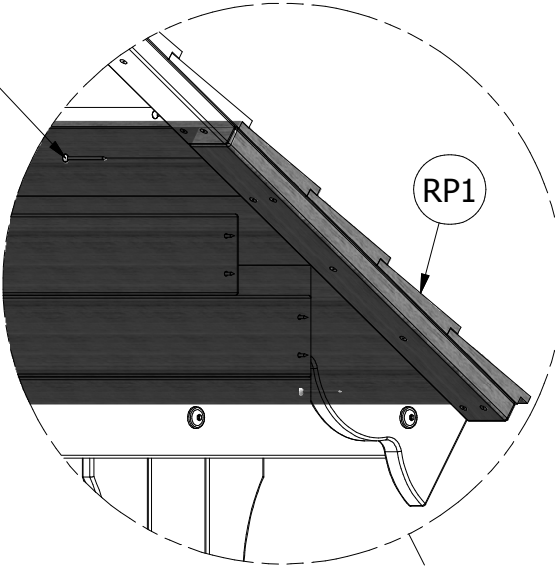
(4) SCREW PFH
8x2 1/2



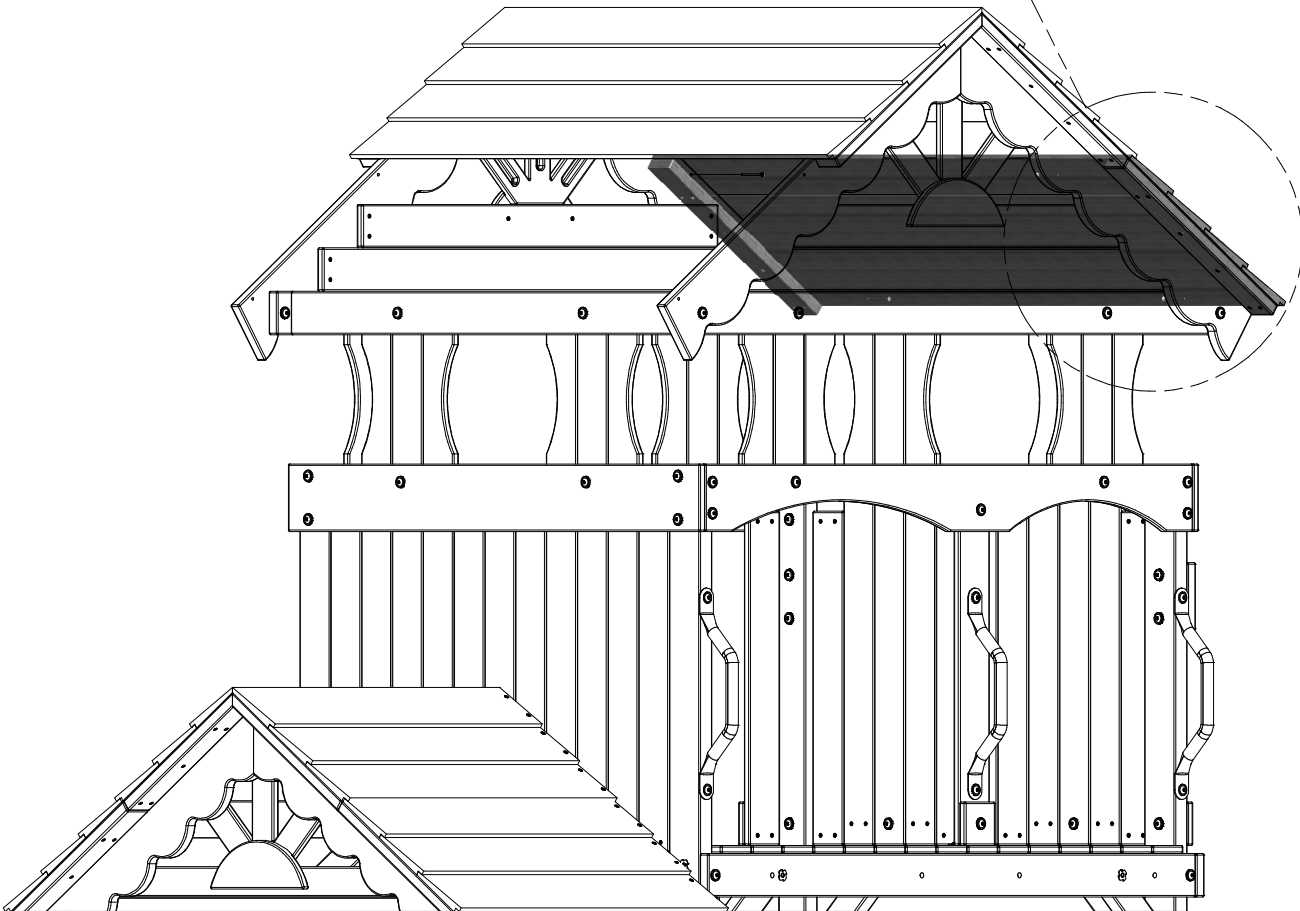
(1) RP1 - ROOF PANEL - W104148

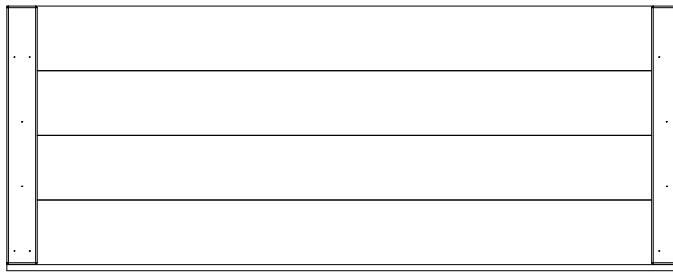
STEP 83

SCREW PFH 8x2 1/2
(4 PLCS)



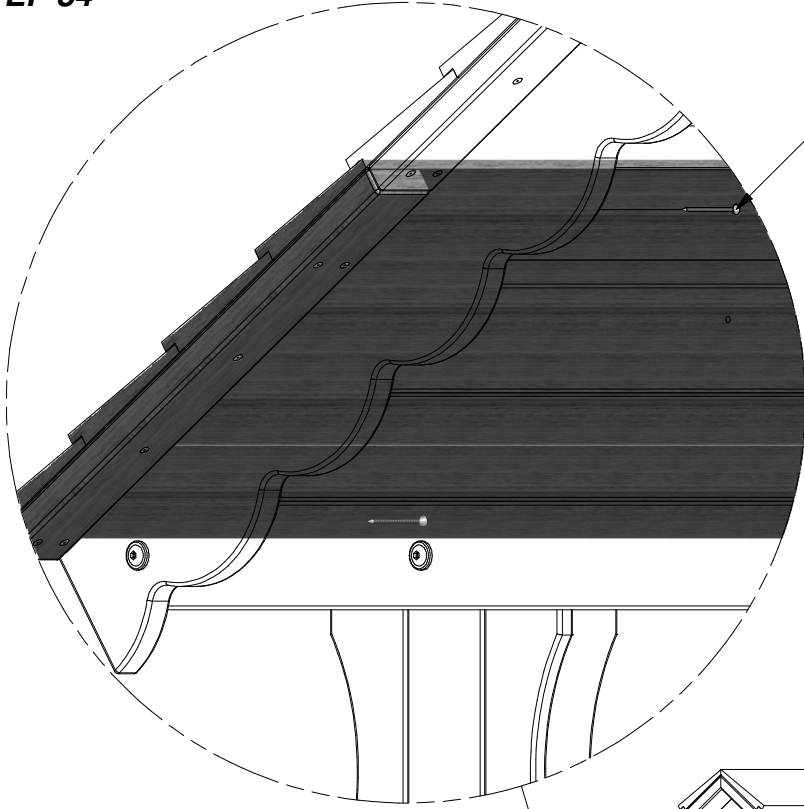
(4) SCREW PFH
8x2 1/2



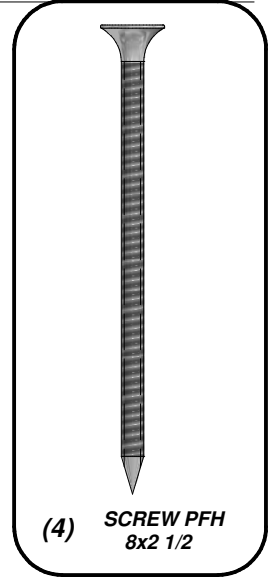


(1) RP1 - ROOF PANEL - W104148

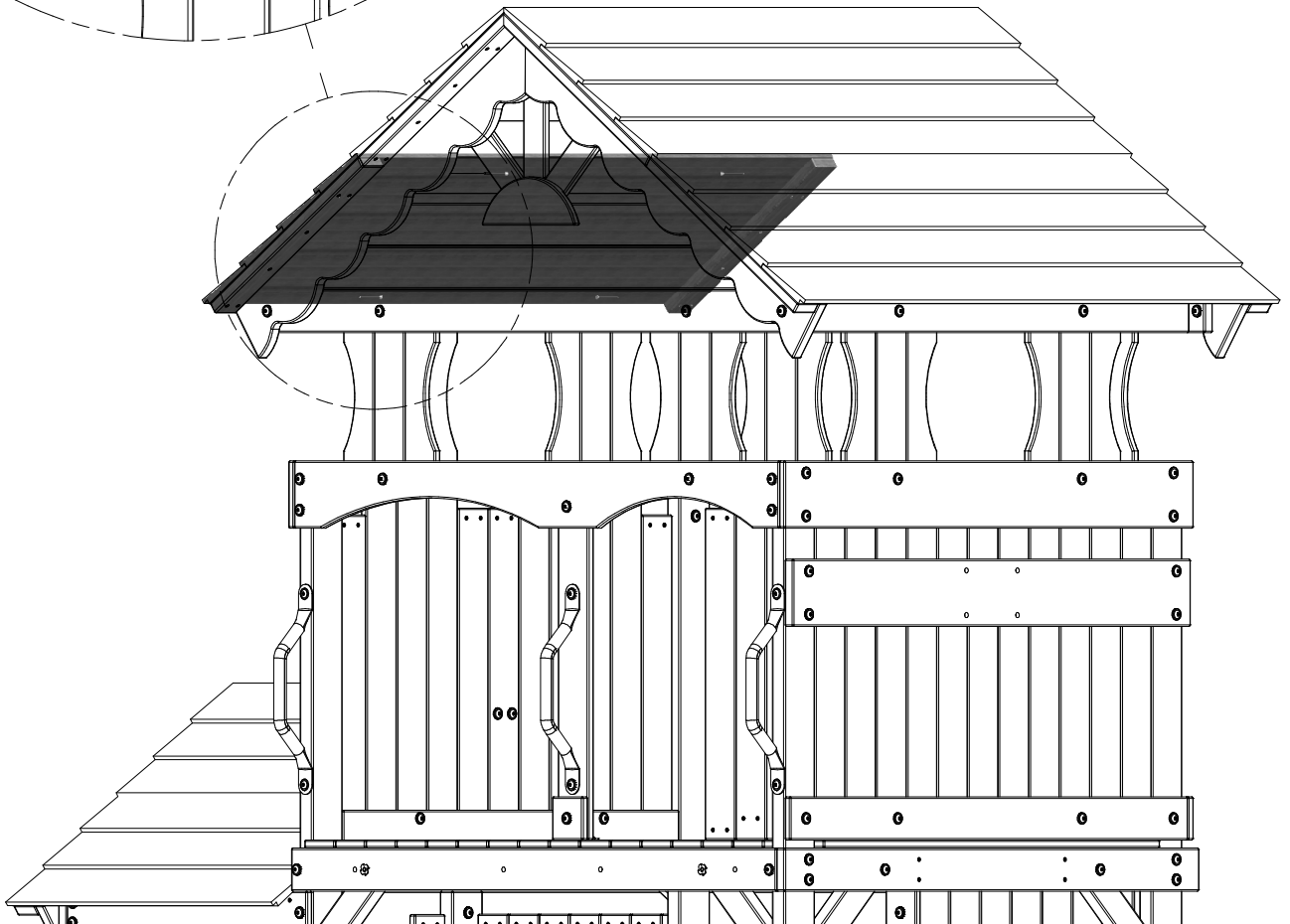
STEP 84



SCREW PFH 8x2 1/2
(4 PLCS)



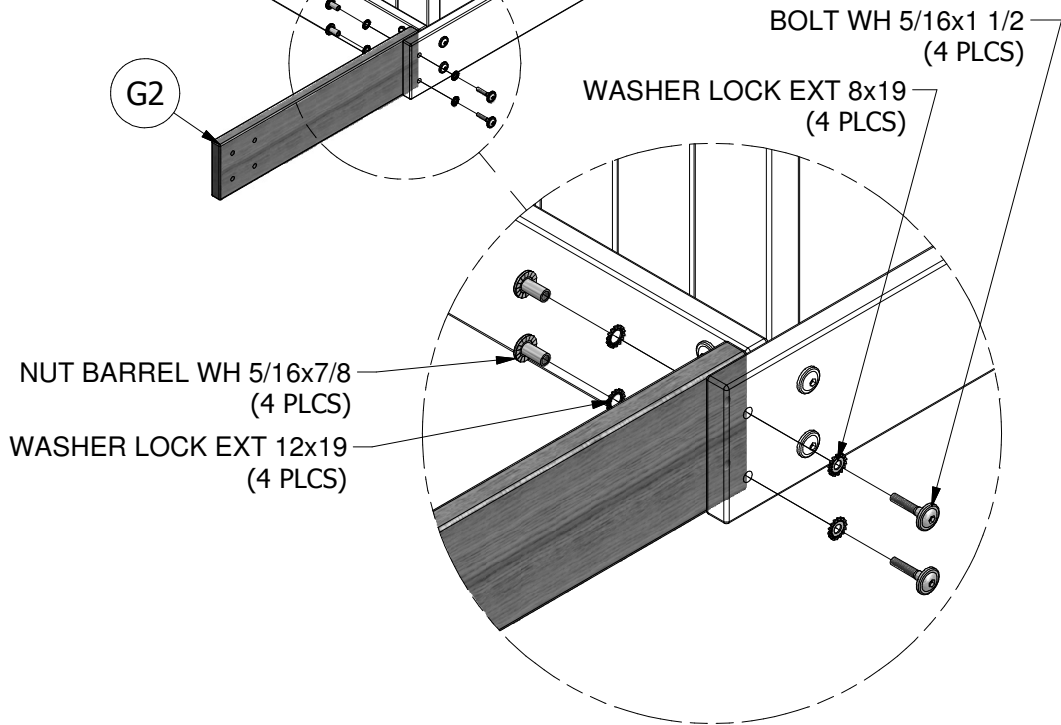
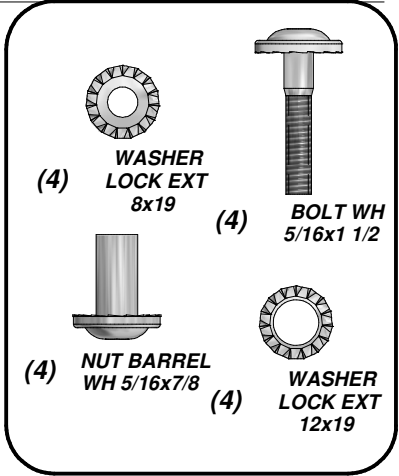
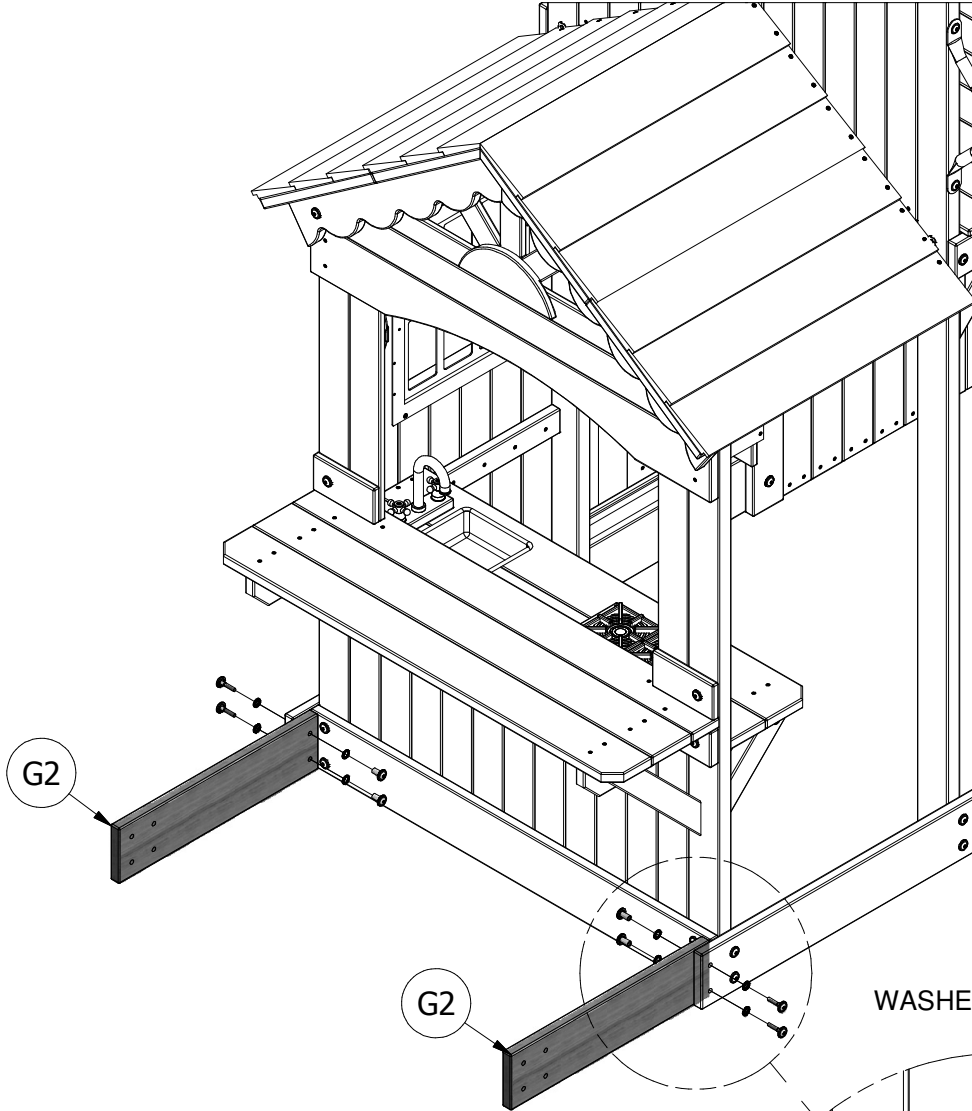
(4) SCREW PFH
8x2 1/2





(2) **G2 - HORIZONTAL BENCH LEG - W104168**
1"x5 1/4"x22" (24x134x560)

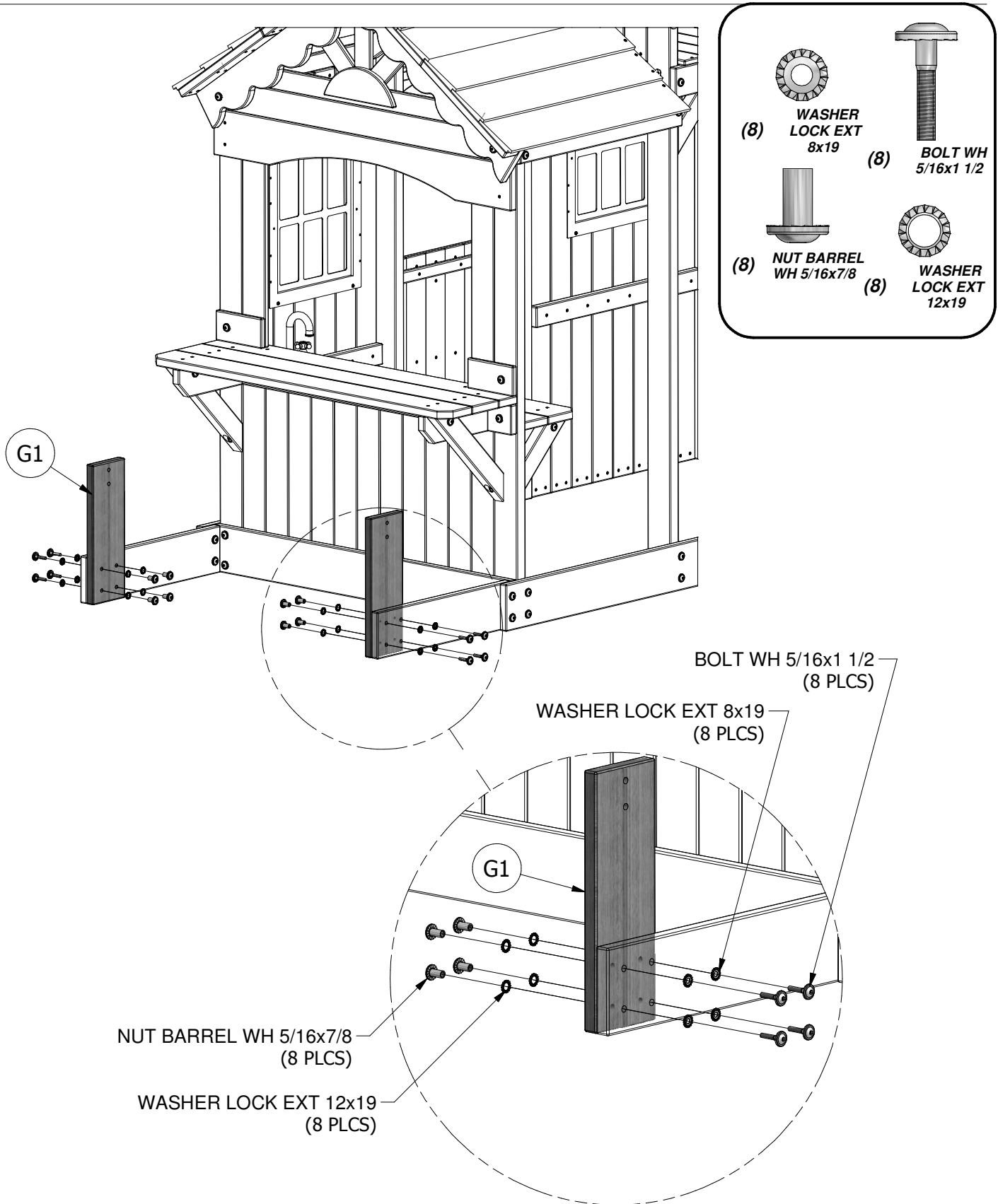
STEP 85

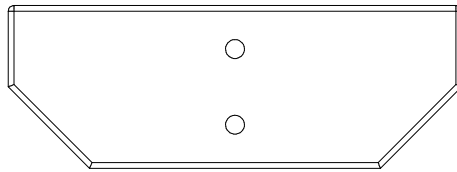




(2) **G1 - VERTICAL BENCH LEG - W104170**
 1"x5 1/4"x15 3/4" (24x134x400)

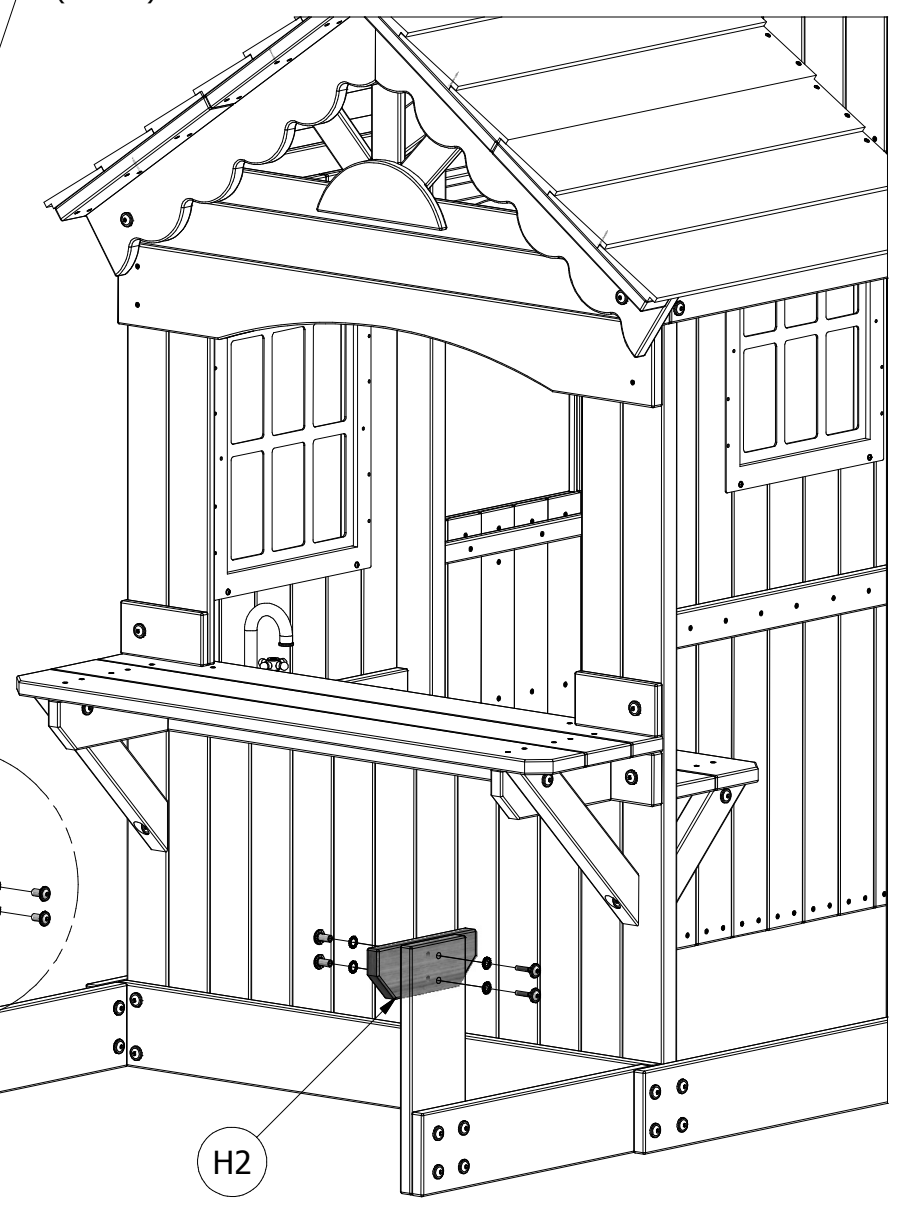
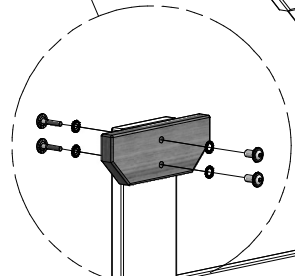
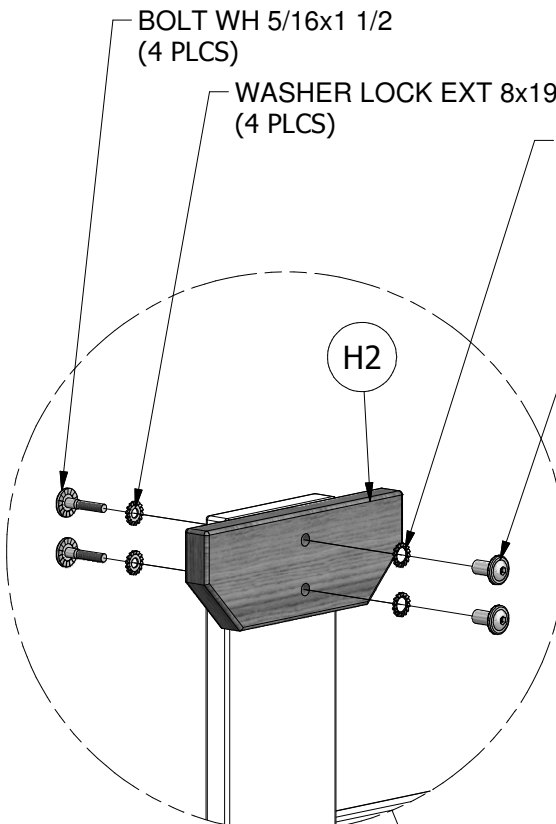
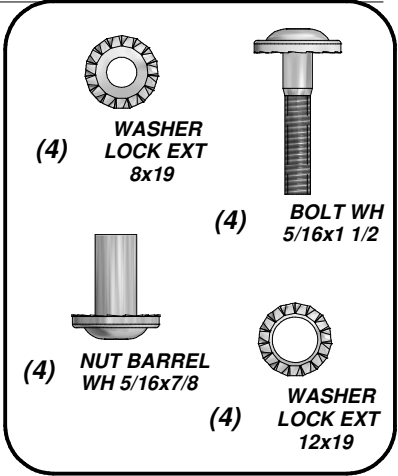
STEP 86





(2) **H2 - BENCH SEAT SUPPORT - W104171**
 1"x3 3/8"x9 1/2" (24x86x240)

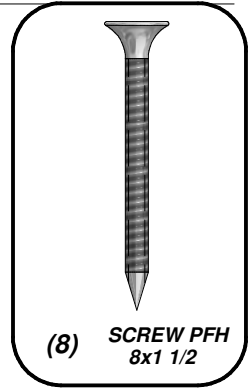
STEP 87



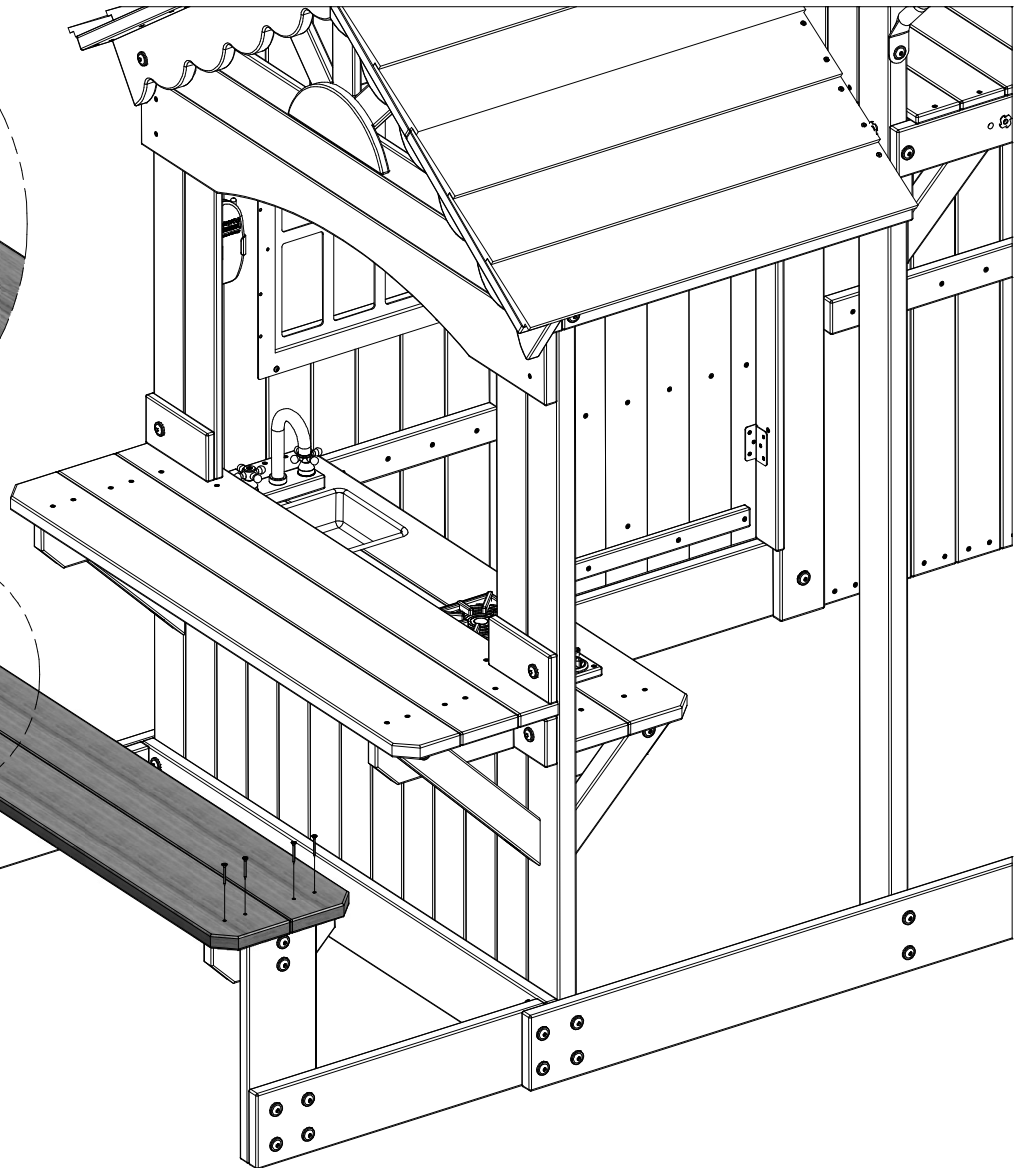
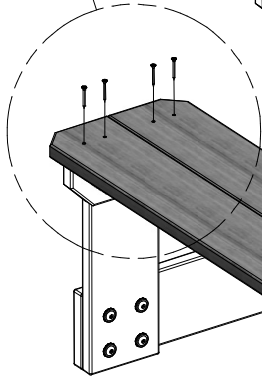
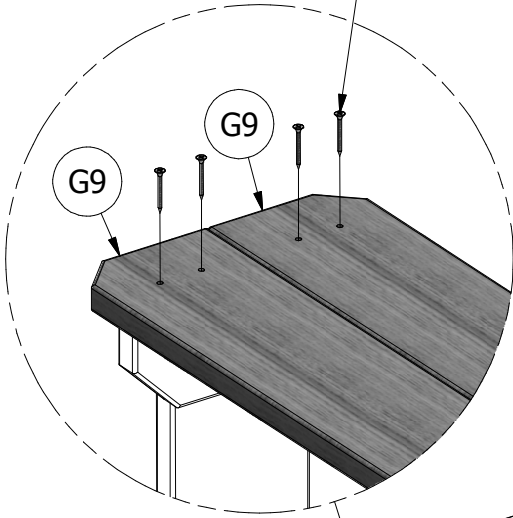


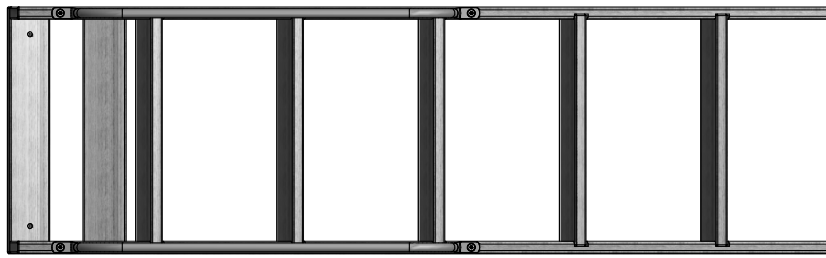
(2) **G9 - SEAT BOARD - W104172**
1"x5 1/4"x44 1/4" (24x134x1124)

STEP 88



SCREW PFH 8x1 1/2
(8 PLCS)



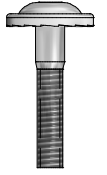
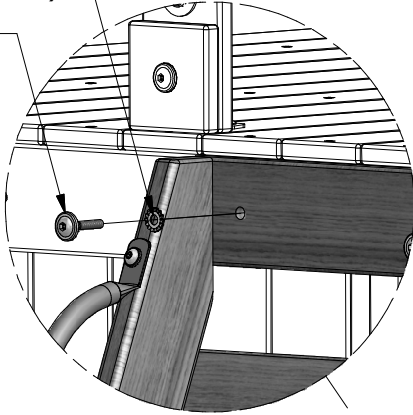


(1) 5 FT LADDER ASSEMBLY

STEP 89

WASHER LOCK EXT 8x19
(2 PLCS)

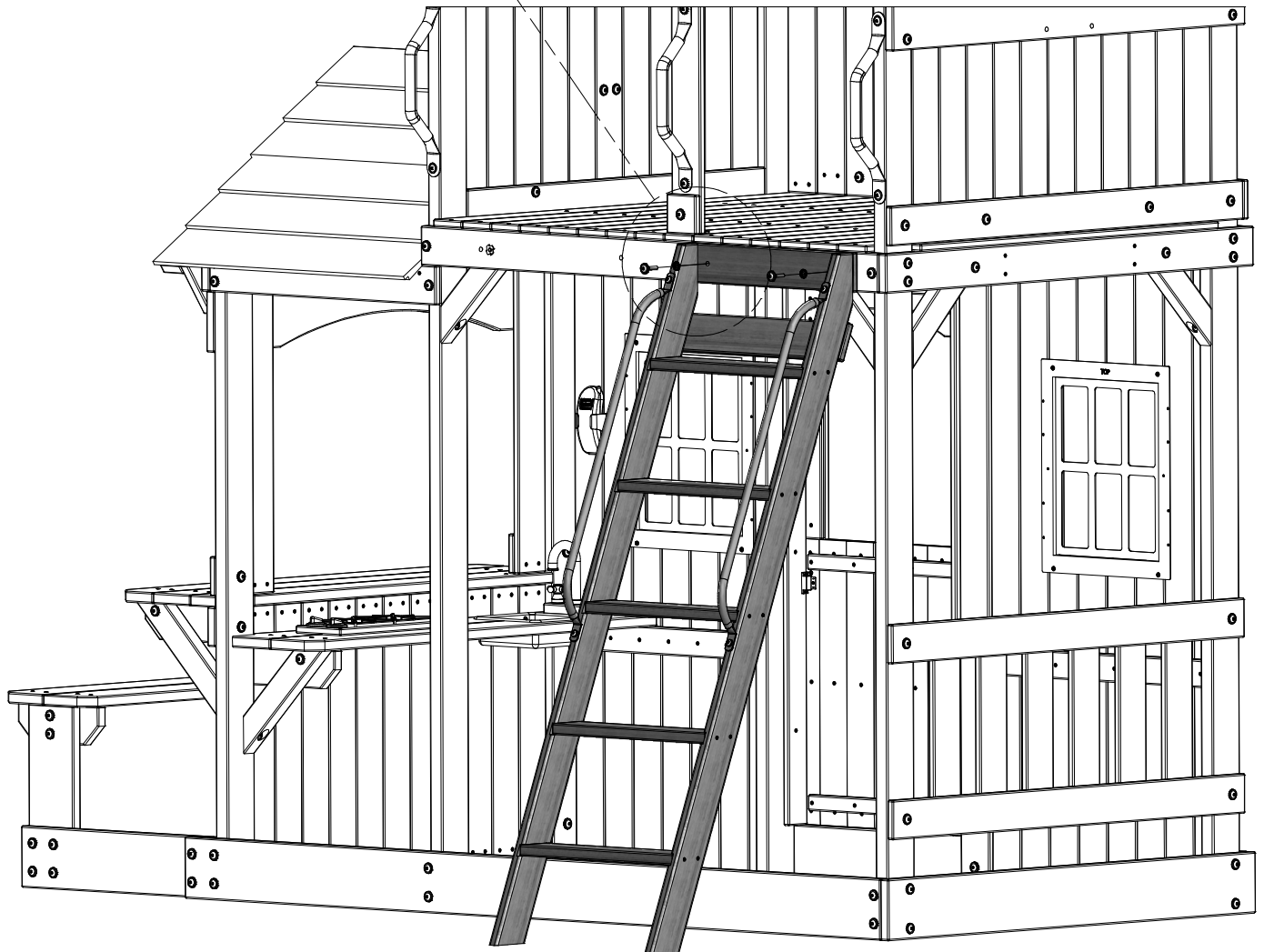
BOLT WH 5/16x1 1/2
(2 PLCS)

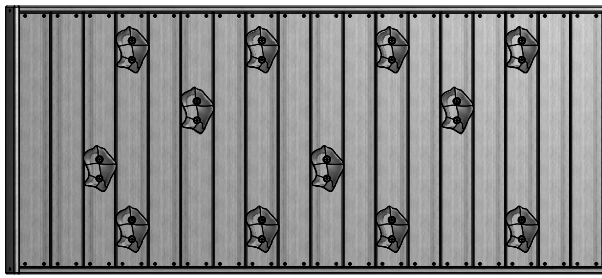


(2) BOLT WH
5/16x1 1/2



(2) WASHER
LOCK EXT
8x19





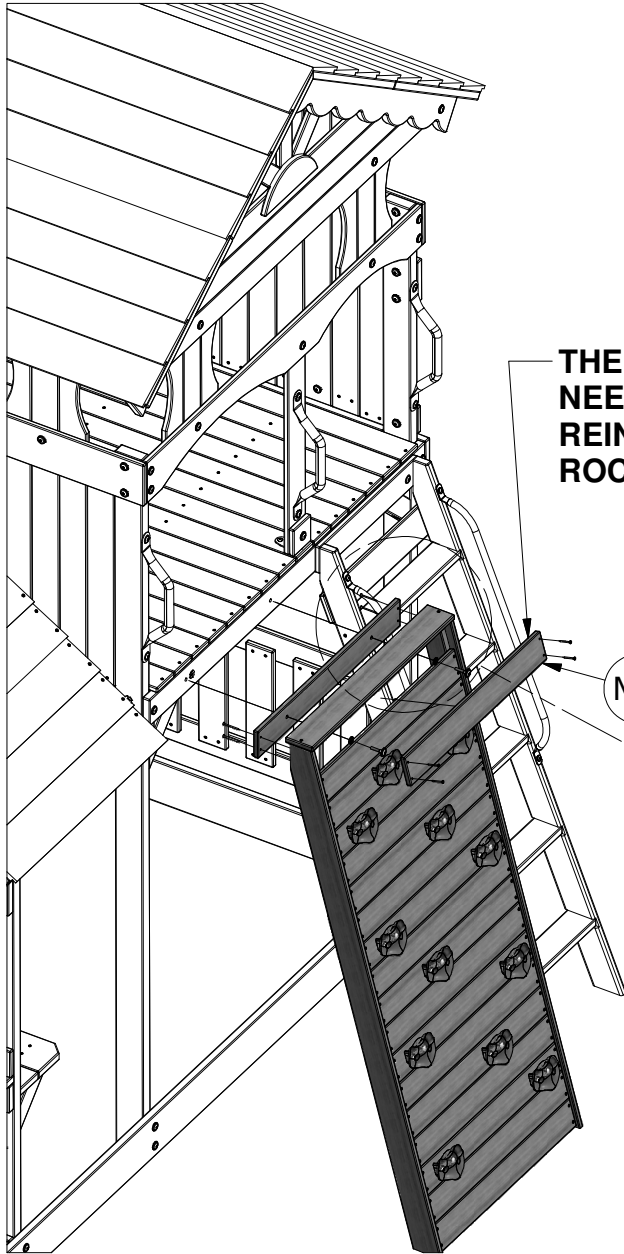
(1) 5 FT ROCK WALL ASSEMBLY

1 7/16"



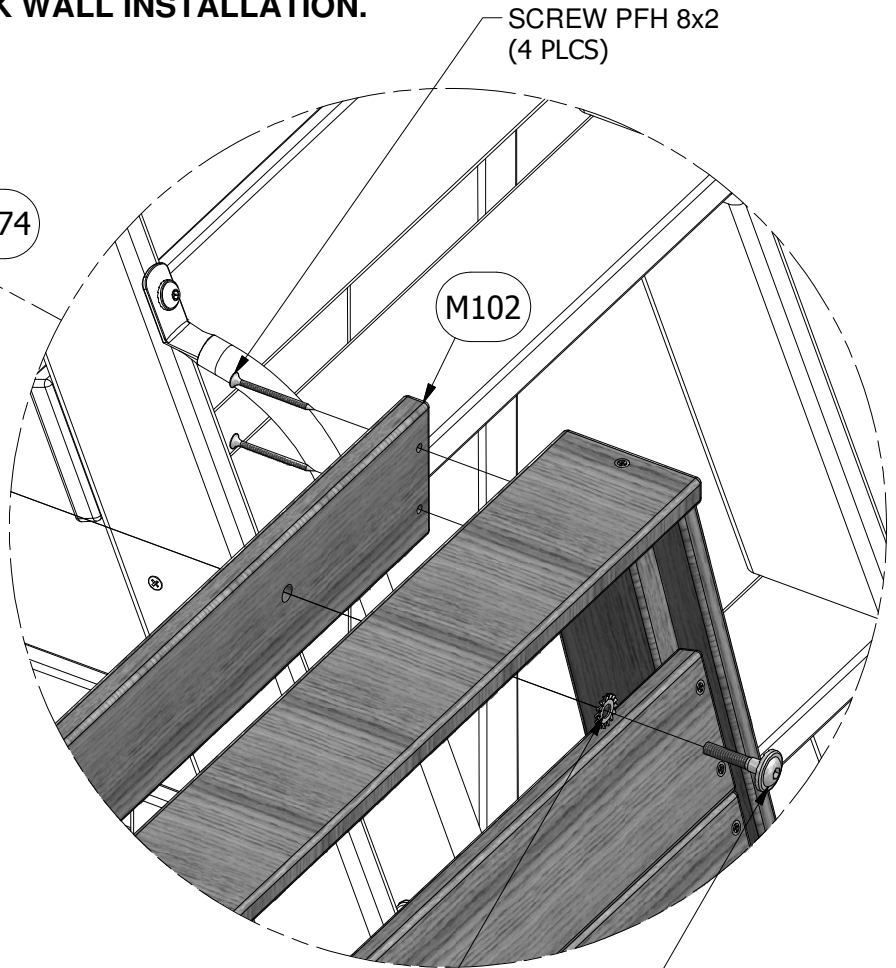
(1) M102 - ATTACHMENT BOARD - W104184
5/8"x3 3/8"x27 7/8" (16x86x707)

STEP 90



THE TOP 'M74' BOARD MAY
NEED TO BE REMOVED AND
REINSTALLED TO AID IN
ROCK WALL INSTALLATION.

M74

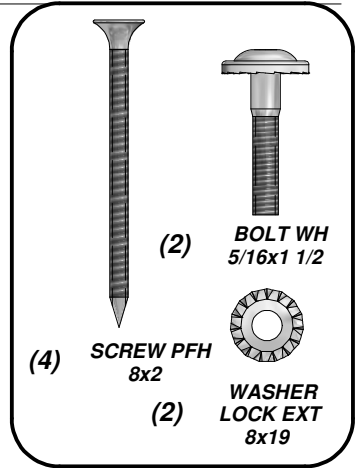


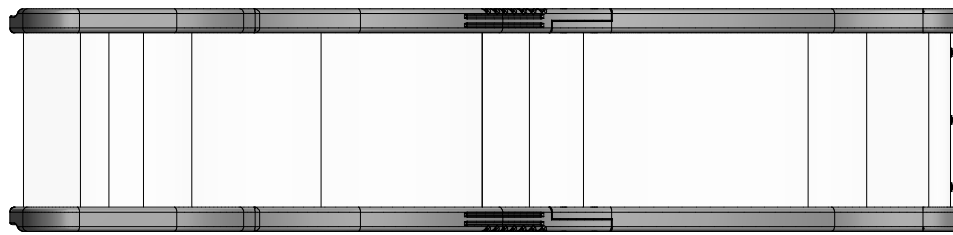
SCREW PFH 8x2
(4 PLCS)

M102

WASHER LOCK EXT 8x19
(2 PLCS)

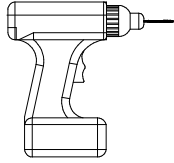
BOLT WH 5/16x1 1/2
(2 PLCS)



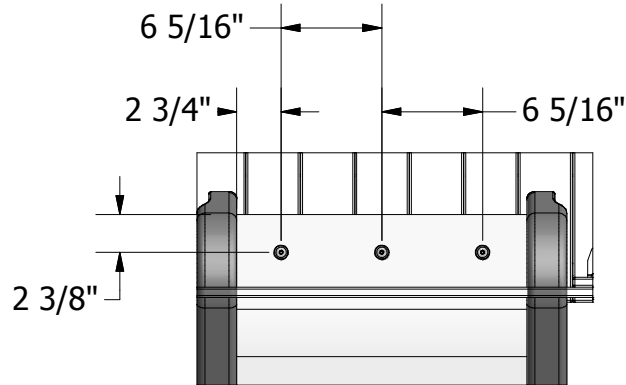


(1) 10 FT SLIDE ASSEMBLY



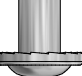
STEP 91

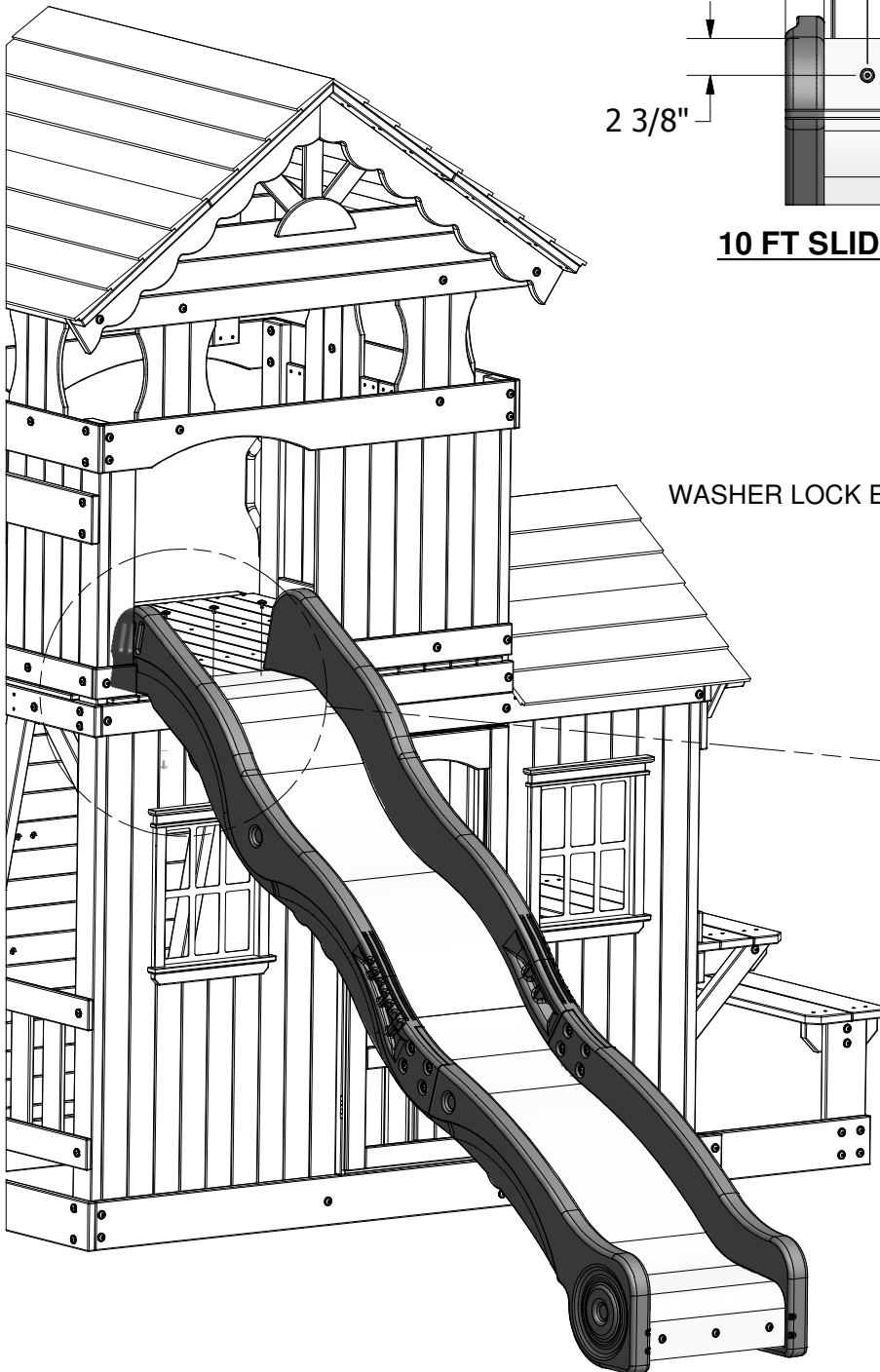


To prevent board splitting, you must pre-drill each board with a 3/8" drill bit, before attaching.



10 FT SLIDE DRILLING PATTERN

- (3)  **BOLT WH 5/16x1/2**
- (3)  **WASHER LOCK EXT 12x19**
- (3)  **NUT BARREL WH 5/16x5/8**

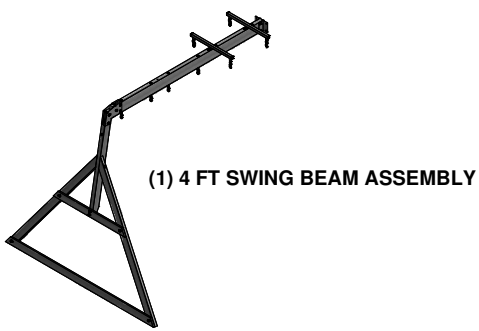


WASHER LOCK EXT 12x19
(3 PLCS)

BOLT WH 5/16x1/2
(3 PLCS)

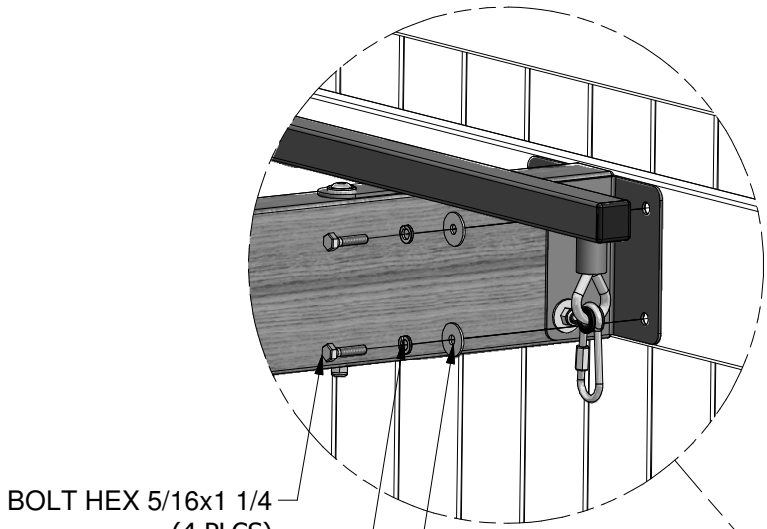
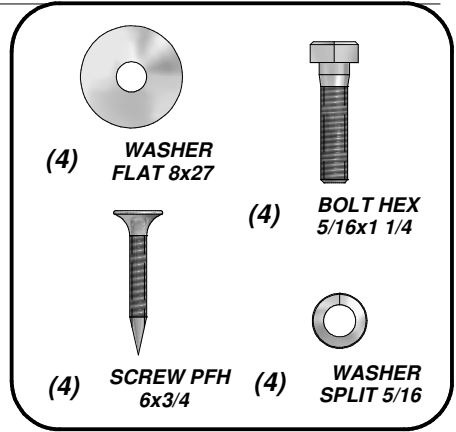
NUT BARREL WH 5/16x5/8
(3 PLCS)

THIS HARDWARE IS ASSEMBLED FROM THE INSIDE OF FORT STRUCTURE.



(1) HC - BYD ID TAG (LARGE) 2011 WITH AGES - A100164

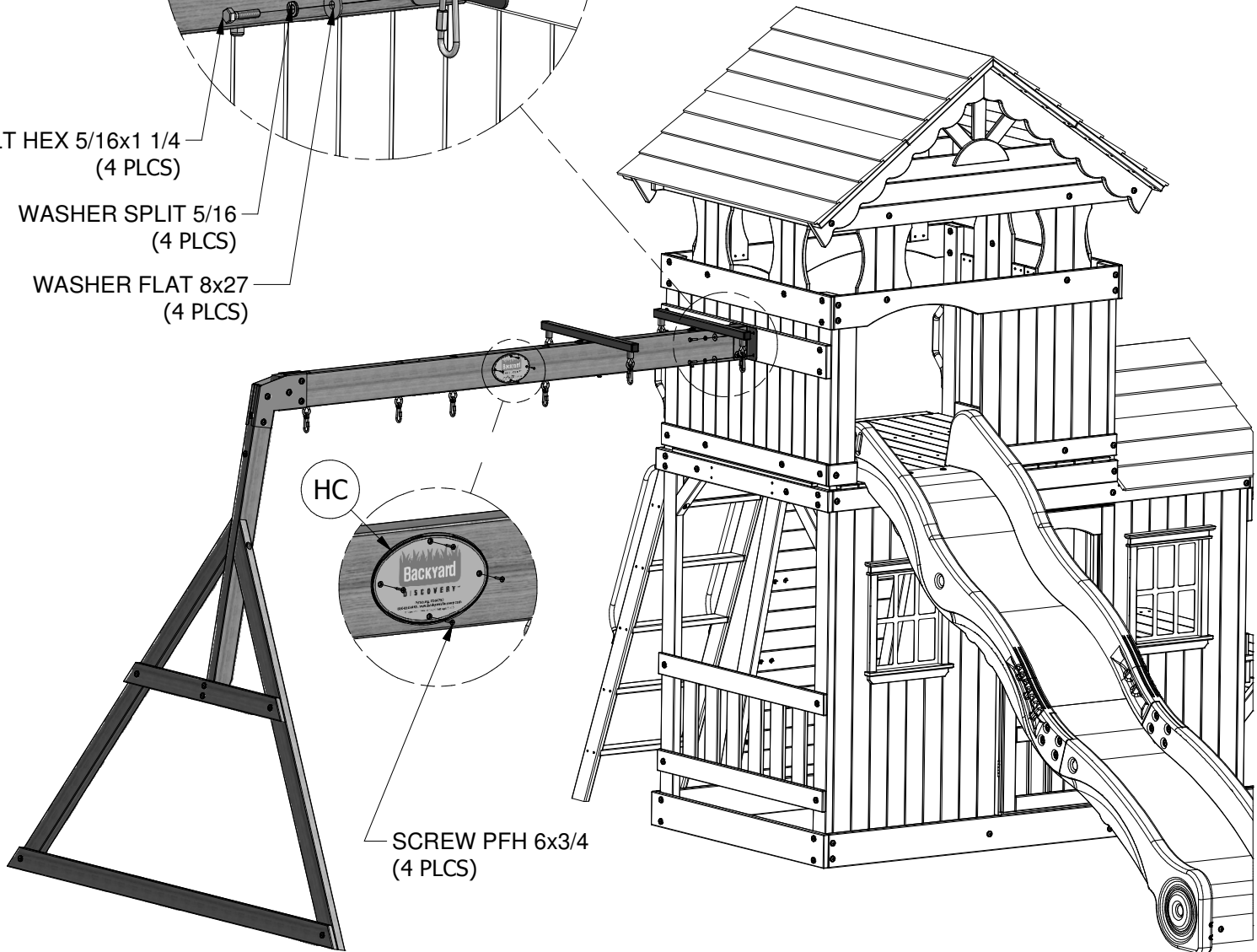
STEP 92



BOLT HEX 5/16x1 1/4
(4 PLCS)

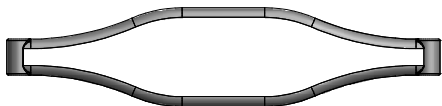
WASHER SPLIT 5/16
(4 PLCS)

WASHER FLAT 8x27
(4 PLCS)

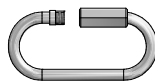


HC

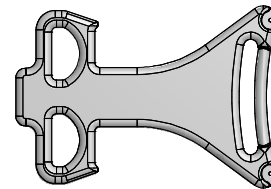
SCREW PFH 6x3/4
(4 PLCS)



(1) DN - GLIDER SEAT DARK GREEN - A100025



(4) FA - QUICK LINK - A100069

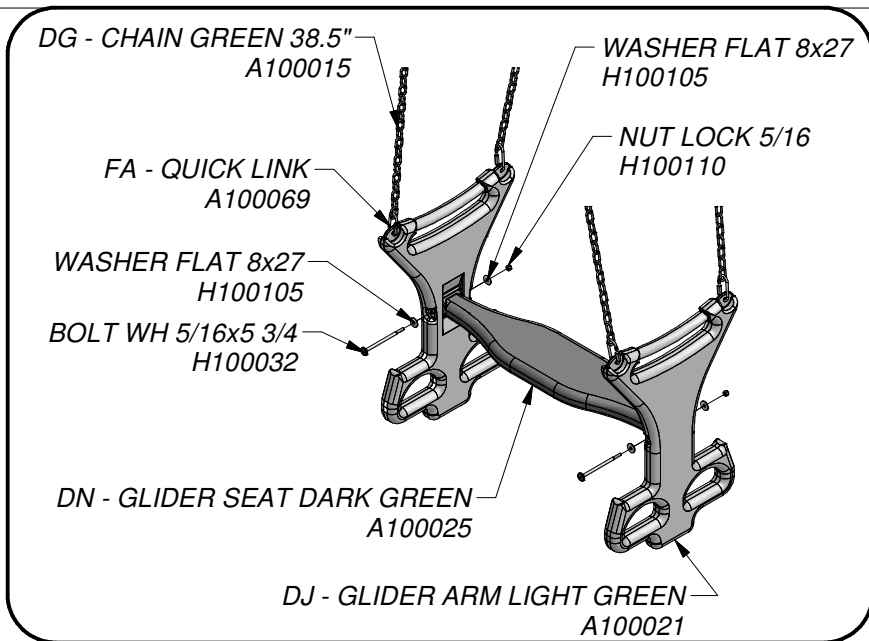


(2) DJ - GLIDER ARM LIGHT GREEN - A100021

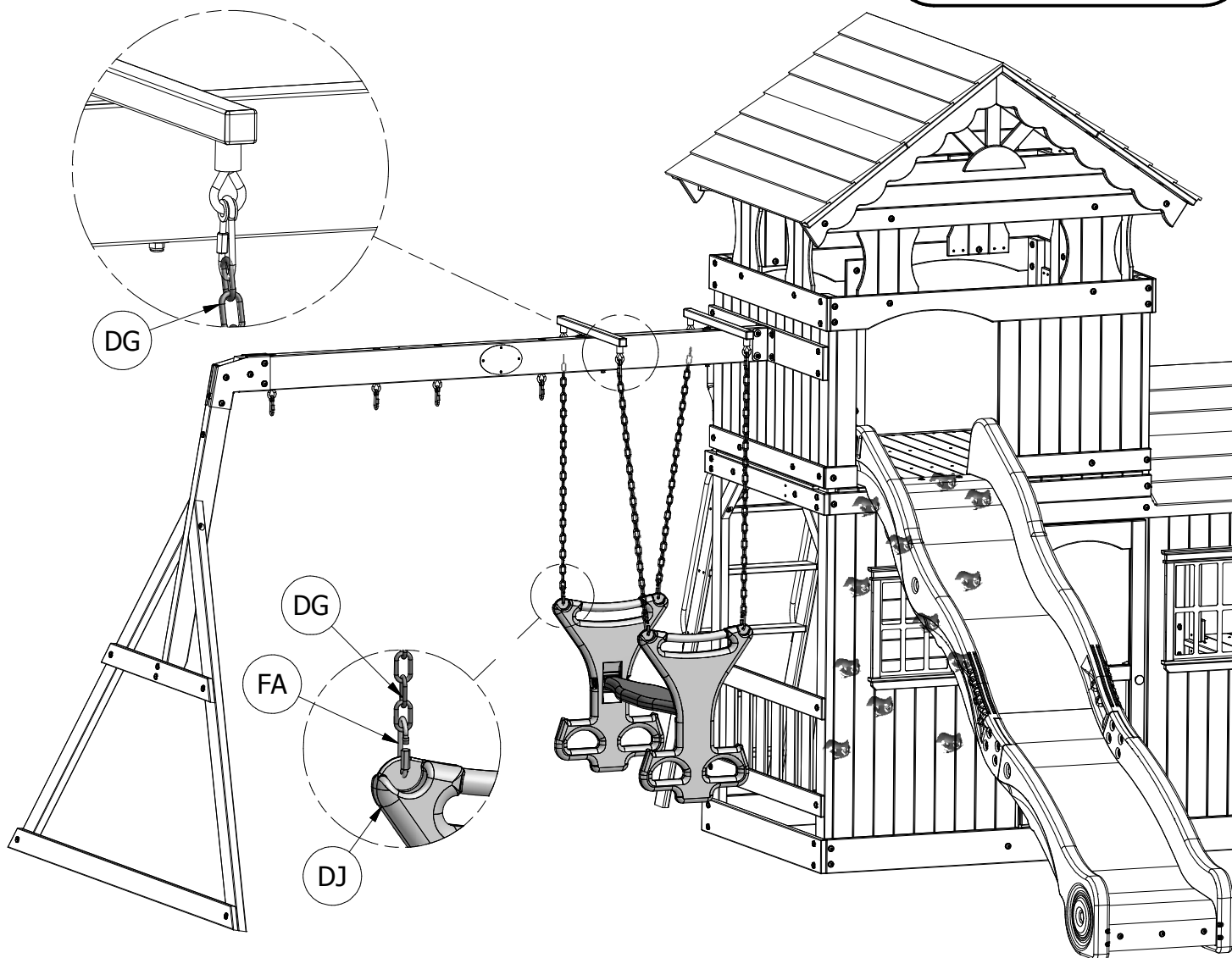
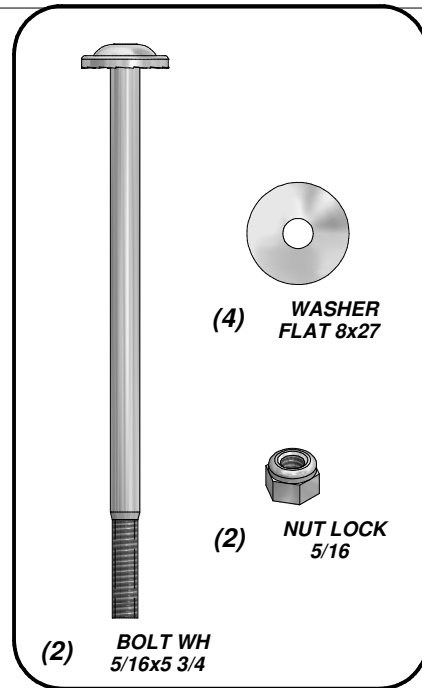


(4) DG - CHAIN GREEN 38.5" - A100015

STEP 93

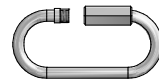


GLIDER ASSEMBLY

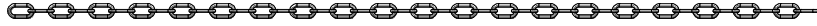




(2) DP - SWING SEAT GREEN - A100027

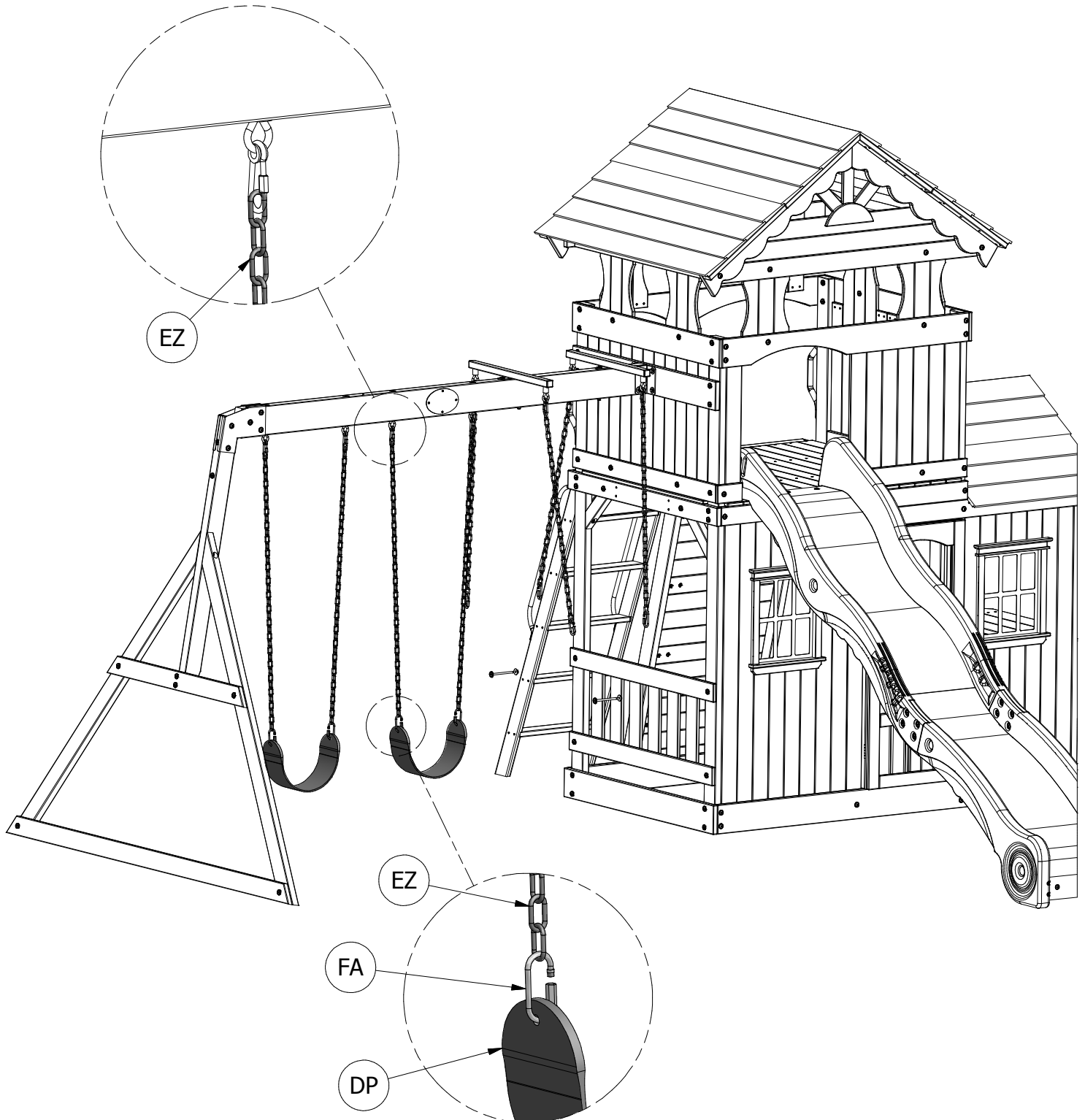


(4) FA - QUICK LINK - A100069



(4) EZ - CHAIN GREEN 51.25" - A100068

STEP 94





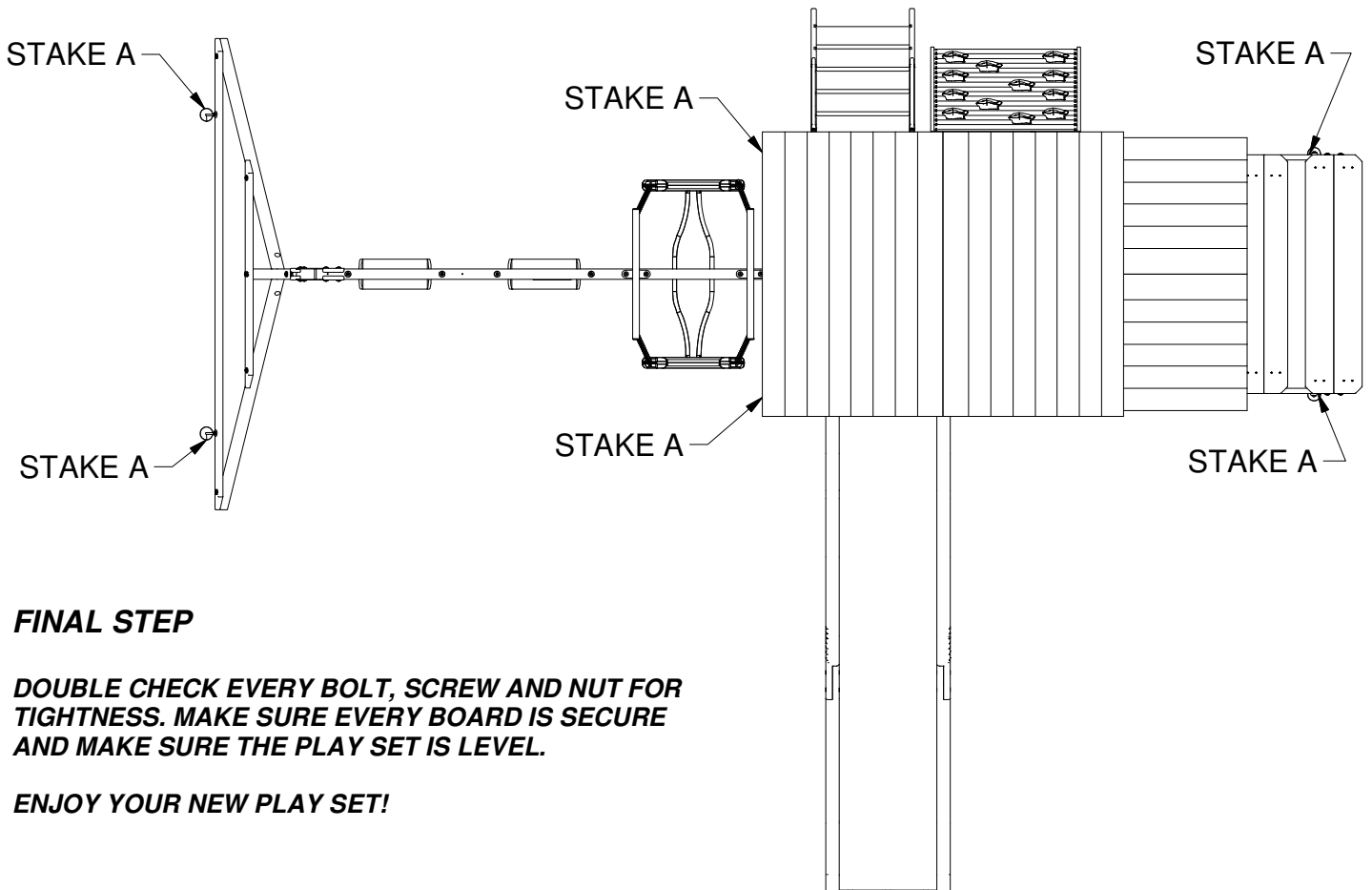
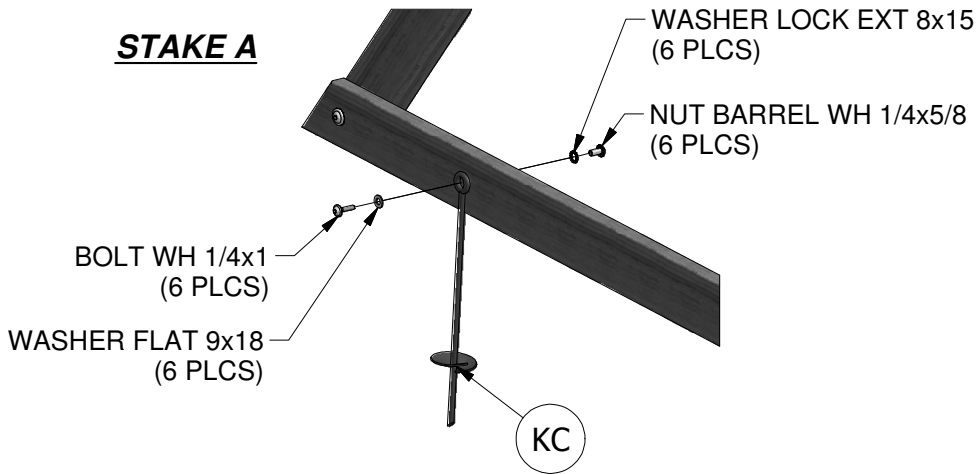
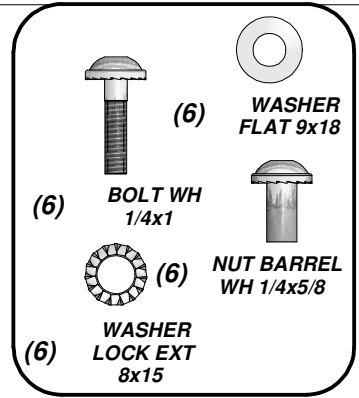
(6) KC - METAL GROUND STAKE BROWN - A100178

STEP 95

Anchoring Instructions

NOTE:

FAILURE TO USE GROUND STAKES CAN VOID WARRANTY & CAUSE INJURY!



FINAL STEP

DOUBLE CHECK EVERY BOLT, SCREW AND NUT FOR TIGHTNESS. MAKE SURE EVERY BOARD IS SECURE AND MAKE SURE THE PLAY SET IS LEVEL.

ENJOY YOUR NEW PLAY SET!

Limited Warranty

This Limited Warranty by Backyard Discovery applies to products manufactured under the Backyard Discovery brand or its other brands including but not limited to Backyard Botanical, Adventure Playsets, and Leisure Time Products.

Backyard Discovery warrants that this product is free from defect in materials and workmanship for a period of one (1) year from the original date of purchase. This one (1) year warranty covers all parts including wood, hardware, and accessories. All wood carries a five (5) year pro-rated warranty against rot and decay. Refer to the schedule below for charges associated with replacement of parts under this Limited Warranty. In addition, Backyard Discovery will replace any parts within the first 30 days from date of purchase found to be missing from or damaged in the original packaging.

This warranty applies to the original owner and registrant and is **non-transferable**. Regular maintenance is required to assure maximum life and performance of this product and failure by the owner to maintain the product according to the maintenance requirements may void this warranty. Maintenance guidelines are provided in the Owner's Manual.

This Limited Warranty does not cover:

- Labor for any inspection
- Labor for replacement of any defective item(s)
- Incidental or consequential damages
- Cosmetic defects which do not affect performance or integrity of a part or the entire product
- Vandalism, improper use, failure due to loading or use beyond the capacities stated in the applicable Assembly Manual.
- Acts of nature including but not limited to wind, storms, hail, floods, excessive water exposure
- Improper installation including but not limited to installation on uneven, unlevel, or soft ground
- Minor twisting, warping, checking, or any other natural occurring properties of wood that do not affect performance or integrity

Backyard Discovery products have been designed for safety and quality. Any modifications made to the original product could damage the structural integrity of the unit leading to failure and possible injury. Modification voids any and all warranties and Backyard Discovery assumes no liability for any modified products or consequences resulting from failure of a modified product.

This product is warranted for RESIDENTIAL USE ONLY. Under no circumstance should a Backyard Discovery product be used in public settings. Such use may lead to product failure and potential injury. Any and all public use will void this warranty. Backyard Discovery disclaims all other representations and warranties of any kind, express or implied.

This Warranty gives you specific legal rights. You may have other rights as well which vary from state to state or province to province. This warranty excludes all consequential damages, however, some states do not allow the limitation or exclusion of consequential damages and therefore this limitation may not apply to you.

Pro Rated Part Replacement Schedule

Product Age

All Parts

0-30 days from date of purchase

31 days to 1 year

Wood Rot and Decay Only

1 year

2 years

3 years

4 years

5 years

Over 5 years

Customer Pays

\$0 and free shipping

\$0 + S&H

\$0 and free shipping

20% + S&H

40% + S&H

60% + S&H

80% + S&H

100% + S&H