



Available August 15, 2014 - (80 CFM)

	Full Speed:	Low Speed:		
	80 CFM/0.8 Sones @ 0.1 SP, 11.5 Watts 63 CFM/1.3 Sones @ 0.25 SP, 11.4 Watts	50 CFM/0.4 Sones @ 0.1 SP, 5.3 Watts 40 CFM/0.6 Sones @ 0.25 SP, 7.0 Watts		

Description

Low noise ceiling mount ventilating fan rated for continuous running. Fan is ENERGY STAR® qualified, HVI, UL, and cUL certified, and can be used to comply with ASHRAE 62.2 (local and whole building continuous and intermittent operation), CA Title 24, and CALGreen requirements.

Motor/Blower

- Power rating of 120 volts/60Hz
- DC brushless motor engineered to run continuously
- Motor equipped with thermal cutoff fuse
- Removable with permanently lubricated plug-in motor

Housing

- Galvanized steel body
- Detachable 4" diameter duct adapter
- Built-in backdraft damper
- Easy installation

Grille

- Attractive design using ABS material
- Attached to housing with included grille bracket

Light

- (1) GU24 26-Watt CFL lamp included

LED Indicator

- Blue and amber LED indicator lights to show humidity and motion sensor modes

Warranty

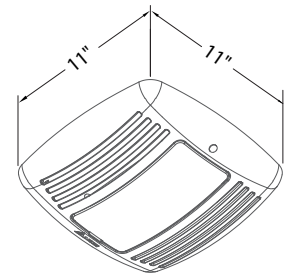
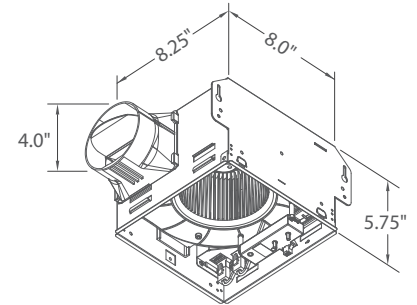
- 3-year limited warranty

Features

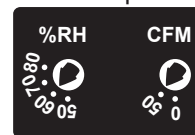
- Adjustable humidity set points between ~50% to ~80% RH
- Adjustable low speed airflow
- For ceiling mount only, airflow of 80 CFM(±10%) and 0.8 Sones at 0.1" static pressure
- Power consumption approximately 11.5 Watts with an efficiency rating approximately 6.9 CFM/Watt at 0.1" static pressure
- UL and cUL listed for tub/shower enclosure when used with GFCI-protected branch circuit wiring

DC Motor Technology

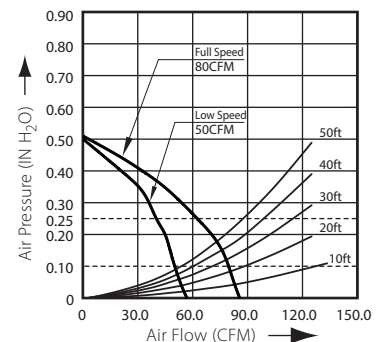
- Allows fan to operate in humidity control mode or motion mode by humidity and motion sensors
- For humidity control mode, when humidity is above the user-adjustable set-point, fan runs at full speed (80 CFM). When humidity is below the set-point, the fan runs continuously at a pre-set lower level (0 or 50 CFM)
- When motion is detected, fan runs at full speed (80 CFM). When user leaves, fan remains running 10 minutes delay time at full speed mode
- Built-in soft start function to increase bearings' life
- Automatically powers OFF when impeller is locked abnormally



Control Options



Fan Curve



GreenBuilder GBR80MHL	Continuous low speed		Full speed	
Static Pressure (inches w.g.)	0.1	0.25	0.1	0.25
Air Flow (CFM)	50	40	80	63
Sones	0.4	0.6	0.8	1.3
Power Consumption (Watts)	5.3	7.0	11.5	11.4
Energy Efficiency (CFM/Watt)	9.4	5.7	6.9	5.5
Current (Amps)	0.17 Max		0.22 Max	
Power Rating (V/Hz)	120/60			

Model	Quantity	Comments	Project:
			Location:
			Architect:
			Engineer:
			Contractor:
			Submitted by:
			Date: