

DVE60M9900V

SAMSUNG

Samsung FlexDry™ Dryer

7.5 cu. ft. Capacity DOE



Signature Features

FlexDry™

- Two dryers in one lets you dry delicates and everyday garments at the same time.

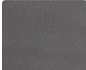
Delicate Dryer

- Flat dry delicates, sweaters, and accessories to prevent items from shrinking and fabric damage.

Multi-Steam Technology

- Steam away wrinkles, odors, bacteria and static.

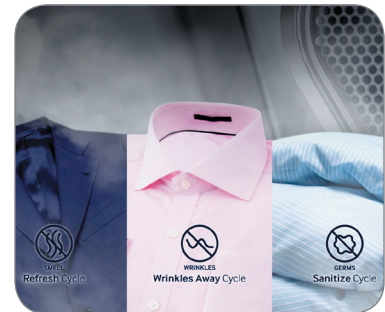
Available Colors

 Fingerprint Resistant Black Stainless Steel (shown)

 White



FlexDry™ with Delicate Dryer



Multi-Steam Technology

Tumble Dryer Features

- Steam
- Vent Sensor
- Wi-Fi Connectivity
- Eco Dry
- Sensor Dry
- Smart Care
- Touch Controls
- Stainless Steel Drum
- 12 Preset Dry Cycles
- 11 Options
- 5 Temperature Settings
- Interior Drum Light
- LED Display: Ice Blue

Convenience

- Child Lock
- Filter Check Indicator
- Door Lock

Delicate Dryer Features

- Wi-Fi Connectivity
- Smart Care
- Drying Rack
- 4 Preset Dry Cycles
- 7 Options

Convenience

- Child Lock

DVE60M9900V

SAMSUNG

Samsung FlexDry™ Dryer

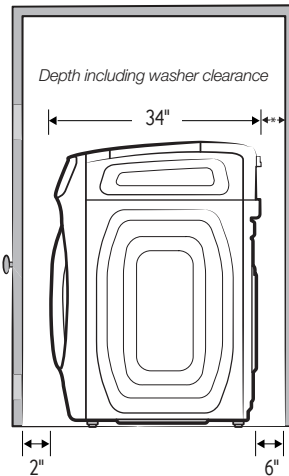
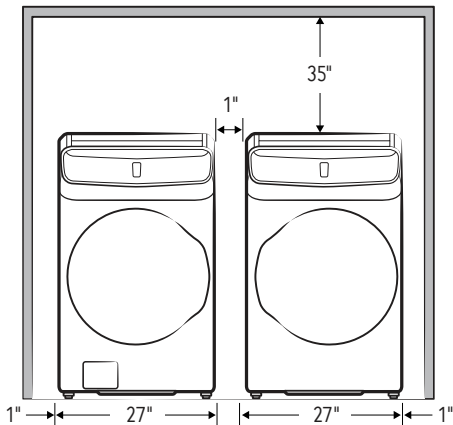
7.5 cu. ft. Capacity DOE

Installation Specifications

If the washer and dryer are installed together or the dryer alone, the closet front must have two unobstructed air openings for a combined minimum total area of 72-inch.² Your washer alone does not require a specific air opening.

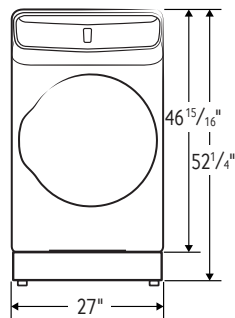
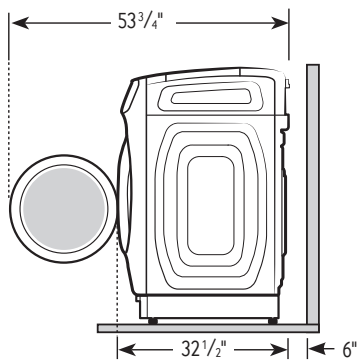
Alcove or closet installation

Minimum Clearance for Closet and Alcove Installations:

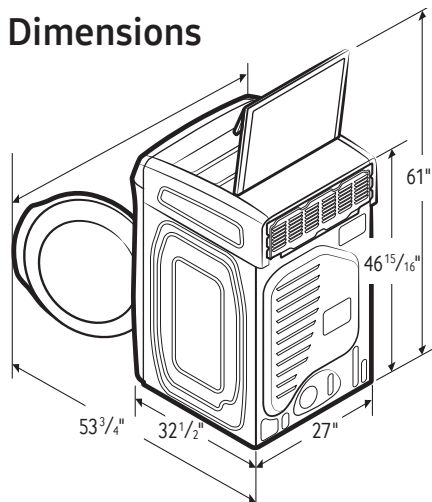


*Required spacing (External exhaust elbow may require additional space.)

Installation with pedestal



Dimensions



4-Way Venting

Tumble Dryer

12 Preset Dry Cycles:

Refresh, Wrinkle Away, Steam Sanitize, Normal, Heavy Duty, Towels, Permanent Press, Active Wear, Bedding, Delicates, Time Dry, Air Fluff

11 Options:

Eco Dry, Adjust Time (up), Adjust Time (down), Anti Static, Mixed Load Bell, Smart Control, Smart Care, Drum Light, Child Lock, Sound, Wrinkle Prevent

5 Temperature Settings:

High, Medium, Medium Low, Low, Extra Low

5 Dry Levels:

Very Dry, More Dry, Normal Dry, Less Dry, Damp Dry

Delicate Dryer

4 Preset Dry Cycles:

Wool, Shirt/Blouse, Undergarment, Accessory

7 Options:

Time+, Super Speed, Air Dry, Smart Control, Smart Care, Child Lock, Sound

Warranty

One (1) Year Parts and Labor

Product Dimensions & Weight (WxHxD)

Dimensions: 27" x 46¹⁵/₁₆" x 32¹/₂"

Weight: 167 lbs

Shipping Dimensions & Weight (WxHxD)

Dimensions: 29⁹/₁₆" x 50¹/₄" x 34¹¹/₁₆"

Weight: 178 lbs

Electric

Fingerprint Resistant

Black Stainless Steel

White

Model

DVE60M9900V

DVE60M9900W

UPC Code

887276197562

887276197586

Gas

Fingerprint Resistant

Black Stainless Steel

White

DVG60M9900V

DVG60M9900W

887276197616

887276197623

Matching Washer

Fingerprint Resistant

Black Stainless Steel

White

WV60M9900AV 887276196947

WV60M9900AW 887276196954

Actual color may vary. Design, specifications, and color availability are subject to change without notice. Non-metric weights and measurements are approximate.

©2018 Samsung Electronics America, Inc., 85 Challenger Road, Ridgefield Park, NJ 07660. Tel: 800-SAMSUNG. samsung.com. Samsung is a registered trademark of Samsung Electronics Co. Ltd.