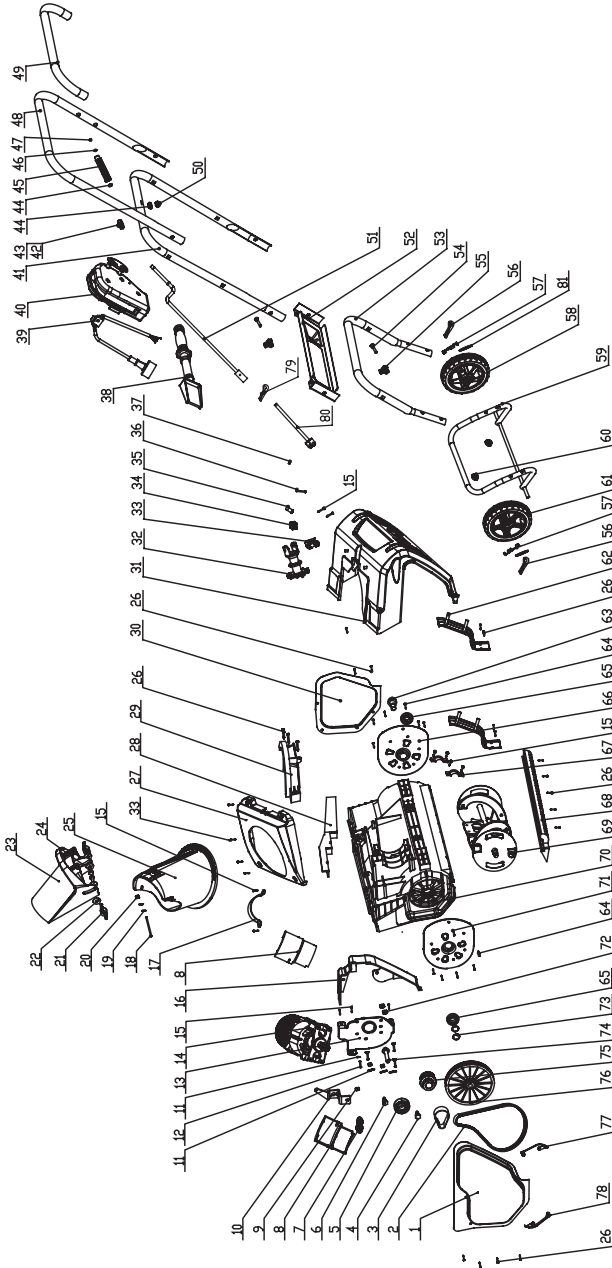


EXPLODED VIEW



PARTS LIST

ITEM NO.	PART NO.	DESCRIPTION	QTY
1	33306100-10	Left side board	1
2	3290198	Belt	1
3	34901100	Strap	1
4	33212100	Tensioner fix shaft	1
5	32104100	Tensioner bearing	1
6	33211100	Tensioner shaft	1
7	33903100	Tensioner spring	1
8	34165100	Motor vent cover	2
9	32201100	Locknut	7
10	33305100	Tensioner bracket	1
11	3290699	Washer	7
12	32203100	Cross screw	4
13	33301100-2	Motor support	1
14	31120100-1	Motor assembly	1
15	3220505	Screw	9
16	34120100-1	Waterproof bracket	1
17	33378100	Motor clamp	1
18	32208100	Cross screw	1
19	32210100	Washer	2
20	32209100	Nut	1
21	3410835-50	Knob	2
22	32215100	Washer	4
23	34111100-10	Chute deflector	1
24	32216100	Hex screw	2
25	34110100-10	Discharge chute	1
26	32207100	Cross screw	20
27	34104100-10	Out chute cover	1
28	34121100A	Waterproof support	2
29	34106100-1	Inlet chute cover	1
30	33307100-10	Right side board	1
31	34102100-10	Rear cover	1
32	34160100	Pinion bracket	1
33	34161100	Plate	1
34	34162100	Square bushing	1
35	33260100	Pin	1
36	32288100	Screw	1
37	32901261	Locknut	1
38	34118100-10	Snow spade	1
39	31107100A	Pigtail cable	1
40	3630235-7	Switch assembly	1
41	33207100-10	Middle handle	1
42	3330499	Screw	1


PARTS LIST

ITEM NO.	PART NO.	DESCRIPTION	QTY
43	3420199	Rubber	1
44	3290299	Washer	2
45	3410499A-10	Handle	1
46	33306699	Washer	1
47	32901251	Retaining ring	1
48	32208100-10	Upper handle	1
49	3490137-1	Soft grip sponge	1
50	3290599	Nut	1
51	33214100-10	Rear rocker	1
52	33310100-10	Panel	1
53	33205100A-10	Front handle	1
54	3220436	Bolt	4
55	3410835-8	Knob	4
56	3290135	Split pin	2
57	34108229A-10	Wheel cover	2
58	34204229B-10	8" Wheel (right)	1
59	33206100A-10	Lower handle	1
60	34250100	Rubber sleeve	2
61	34204229A-10	8" Wheel (left)	1
62	33304100	Front support	2
63	33201100A	Short shaft	1
64	32206100	Cross screw	12
65	32102100	Waterproof bearing	2
66	33309100	Right support	1
67	34158100	Inner cord clamp	4
68	34105100-1	Vane	1
69	31118100	Impellor assembly	1
70	34101100-10	Front cover	1
71	33308100	Left support	1
72	3220651	Nut	2
73	32217100	Washer	3
74	33203100A	Pulley wheel support shaft	1
75	31110100A	Pulley wheel assembly	1
76	34109100-1	Driver wheel	1
77	33274100-10	Right barrier chip	1
78	33273100-10	Left barrier chip	1
79	3320643	Hitch pin	1
80	33214100-11	Upper rocker	1
81	3220898	Washer	2



TOLL-FREE HELPLINE: 1-888-90WORKS (888.909.6757)

Rev: 01 (05-18-10)

 Printed in China on 100% recycle material