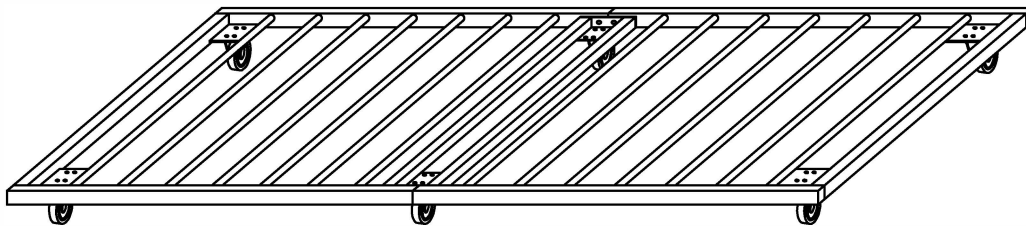




USE AND CARE GUIDE

ROLL OUT TRUNDLE



Questions, problems, missing parts?
Before returning to the store, call Home Decorators Collection Customer Service
8 a.m. – 7 p.m., EST, Monday – Friday, 9 a.m. – 6 p.m., EST, Saturday

1-800-998-7021

HOMEDEPOT.COM/HOMEDECORATORS

1

THANK YOU

We appreciate the trust and confidence you have placed in Home Decorators Collection through the purchase of this Roll Out Trundle. We strive to continually create quality products designed to enhance your home. Visit us online to see our full line of products available for your home improvement needs. Thank you for choosing Home Decorators Collection!

Table of Contents

| | | | |
|--------------------------|---|------------------------|---|
| Table of Contents..... | 2 | Assembly..... | 5 |
| Safety Information..... | 2 | Maintenance..... | 7 |
| Warranty..... | 2 | Care and Cleaning..... | 7 |
| What is Covered..... | 2 | | |
| What is Not Covered..... | 2 | | |
| Pre-Assembly..... | 3 | | |
| Planning Assembly..... | 3 | | |
| Hardware Included..... | 3 | | |
| Package Contents..... | 4 | | |

Safety Information



WARNING:Keep small parts away from children during assembly.



WARNING:Please confirm all parts are correct before starting the assembly process.



WARNING:Read and follow instructions carefully.



WARNING:Do not Tighten all bolts and screws completely until the entire unit has been assembled and set up.



WARNING:Do not let any sharp objects touch or rub the surface of the product.



WARNING:Be careful if using power tools as they can over tighten screws and strip threads.



WARNING:When assembling, do not let children play around the working area.

Warranty

3 YEAR WARRANTY

WHAT IS COVERED

We warrant the bed to be free of manufacturing defects to the original purchaser for three year.

WHAT IS NOT COVERED

It remains the customer's responsibility for freight and packaging charges to and from our service center. This warranty does not cover commercial use, hardware, acts of nature, fire, freezing and abusive use. In addition, purchased parts are not covered under this warranty. We reserve the right to make substitutions with similar merchandise, if the model in question is no longer in production.

Pre-Assembly

PLANNING ASSEMBLY

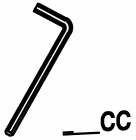
Please carefully take all of the parts out of the box and lay them on a flat surface to verify that you have all of the parts.

Before assembling, make sure your area is large enough to unpack, sort and assemble the unit.

HARDWARE INCLUDED



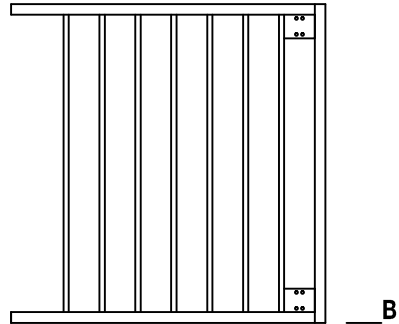
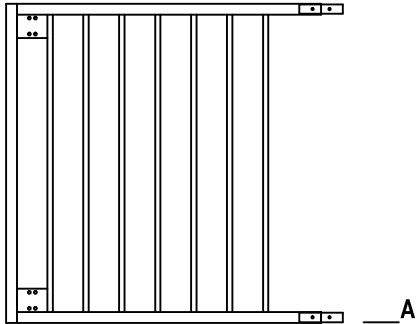
NOTE: Hardware not shown to actual size.



| Part | Hardware | Quantity |
|------|-----------------------|----------|
| AA | 1/4"*1/2" ALLEN BOLTS | 24 |
| BB | 1/4"*3/4" ALLEN BOLTS | 4 |
| CC | ALLEN WRENCH | 1 |

Pre-Assembly (continued)

PACKAGE CONTENTS

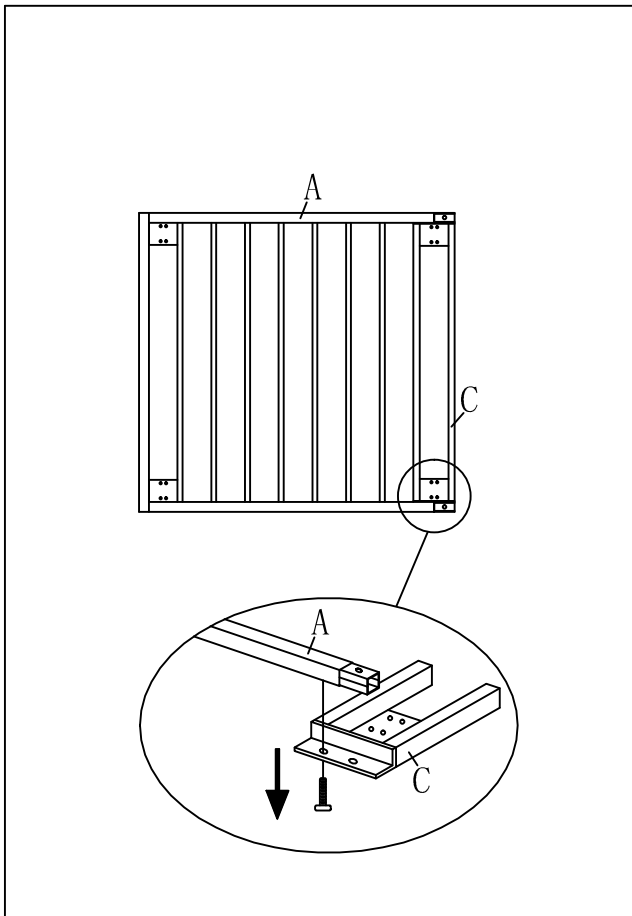


| Part | Components | Quantity |
|------|------------|----------|
| A | LEFT DECK | 1 |
| B | RIGHT DECK | 1 |
| C | CROSS BAR | 1 |
| D | CASTERS | 6 |

Assembly

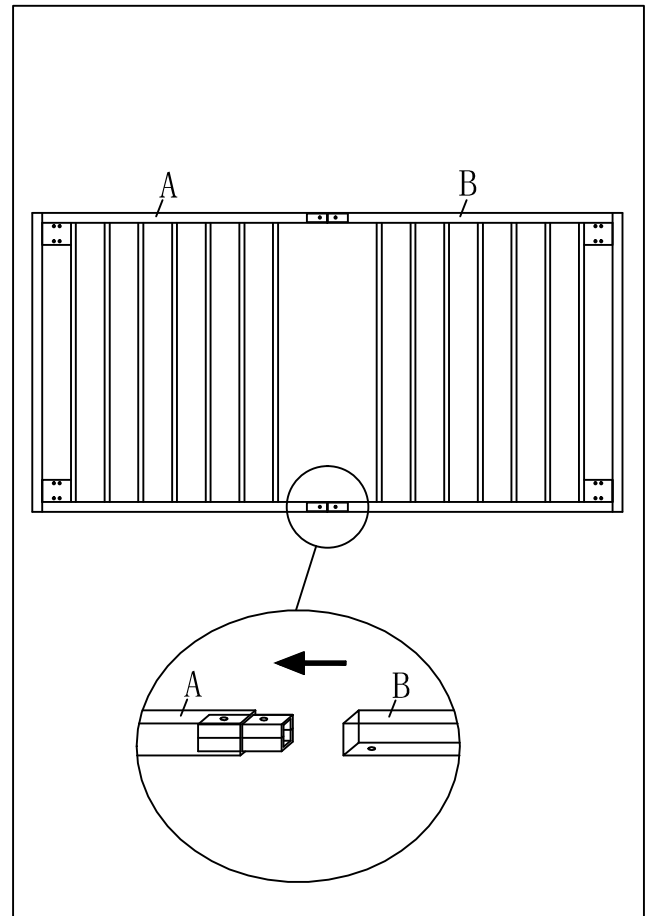
1 Step 1 - Figure 1

- Cross Bar (C) will need to take off the Allen Bolts from the Left Deck (A), please use Allen Wrench (CC) to take off.



2 Step 2 - Figure 2

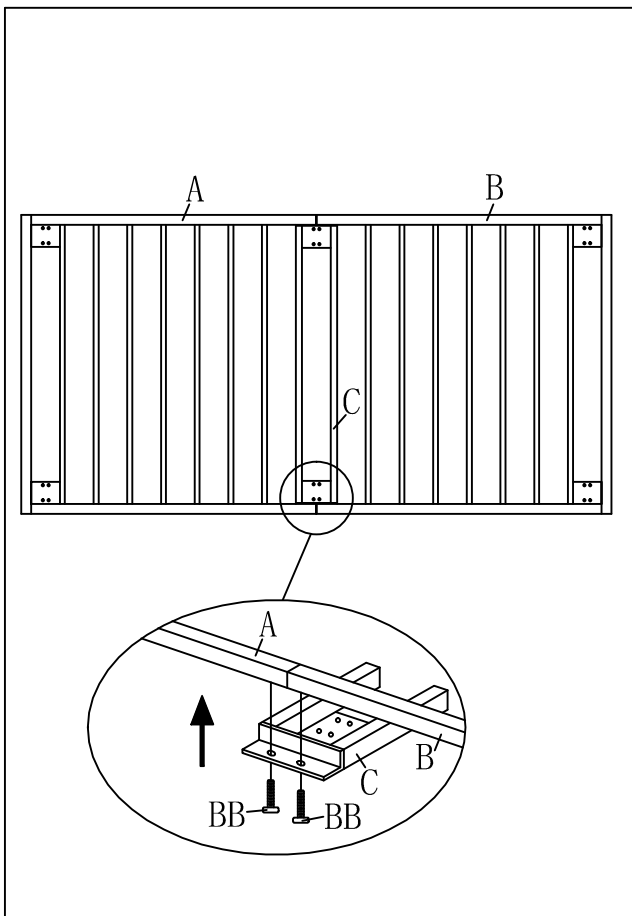
- Right Deck (B) need to insert to the Left Deck (A) .



Assembly (continued)

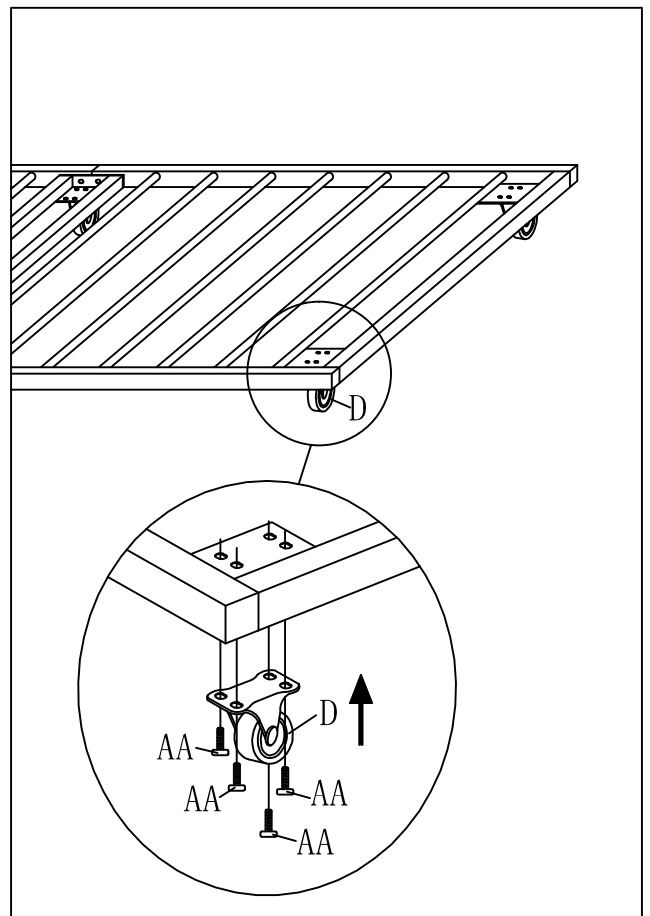
3 Step 3 - Figure 3

- Right Deck (B) connect with Left Deck (A) screw Cross Bar (C) with Allen Bolts (BB) tighten with Allen Wrench (CC).



4 Step 4 - Figure 4

- Insert Casters (D) to the Left Deck (A), Right Deck (B) and Cross Bar (C) use Allen Bolts (AA) tighten with Allen Wrench (CC).



Maintenance

- Keep the product away from direct heat and sunlight.
- Prolonged exposure to heat sources may cause glazing, melting and scorching, or even cause color to fade.
- Regular vacuuming or light brushing helps to remove dirt and prevent soil build-up, which increases the appearance wear.
- Periodically (every 90 days) make sure that the screws are fully tightened.

Care and Cleaning

- Vacuum your product regularly. Small dust particles are very abrasive and can wear furniture prematurely.
- Clean spills immediately to prevent staining. If necessary, gently wipe away the spill using a soft, clean cloth dampened with lukewarm water. Allow to dry and brush lightly.
- Never use harsh chemicals or solvents on your product as this may damage the fabric.
- If you choose to use a professional product, pretest the fabric in an inconspicuous area for any signs of discoloration or shrinking.
- Marks and stains from pens, crayons and ink markers are difficult to remove. In the event that your product becomes permanently stained, we recommend that you consult a professional.

HOME DECORATORS COLLECTION

**Questions, problems, missing parts?
Before returning to the store, call Home Decorators Collection Customer Service
8 a.m. – 7 p.m., EST, Monday – Friday, 9 a.m. – 6 p.m., EST, Saturday**

1-800-998-7021

HOMEDEPOT.COM/HOMEDECORATORS

Retain this manual for future use.