



HOME SOLUTIONS BUILT BETTER

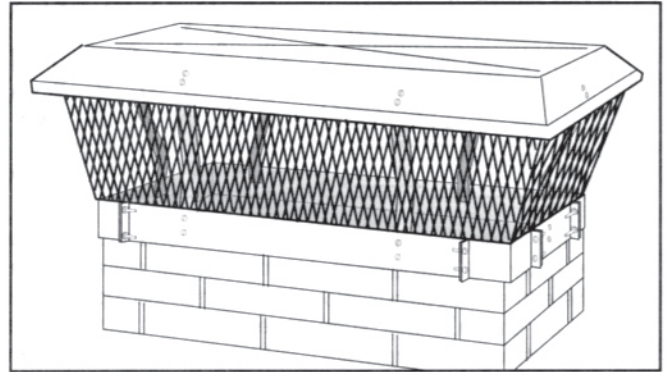
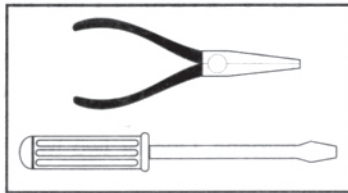
Chimney Cover Assembly & Installation Instructions

IMPORTANT

Read all instructions and **CAUTIONS** carefully before beginning. Failure to do so may result in improper installation and/or hazardous situation.

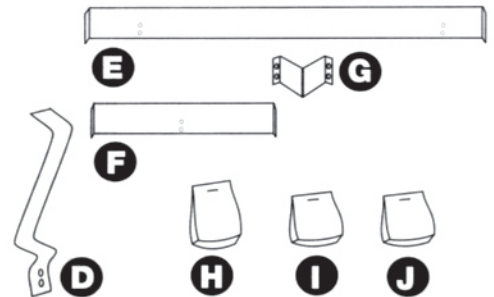
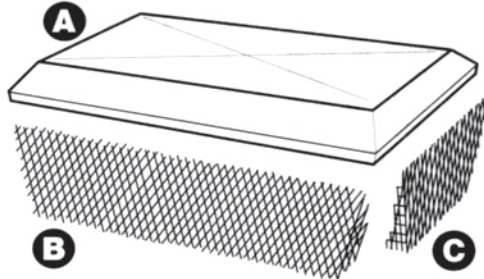
TOOLS REQUIRED

- Needle nose pliers
- Flat head screwdriver

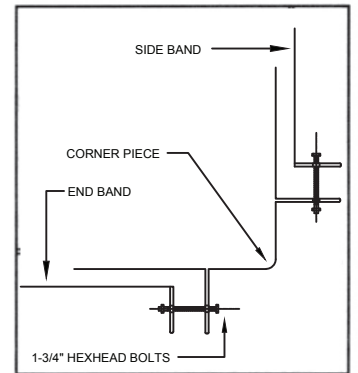
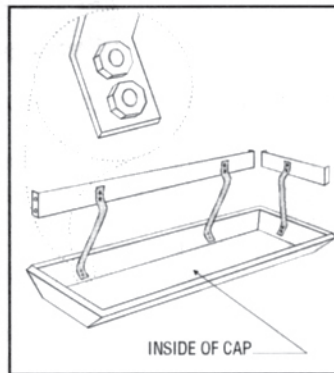
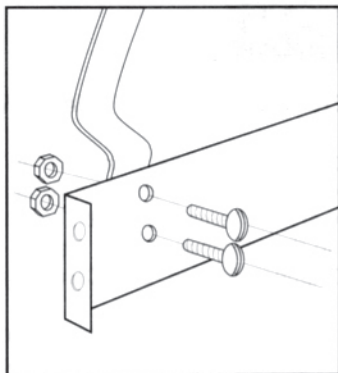
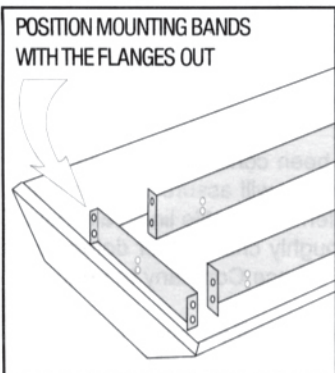


ILLUSTRATED PARTS LIST

- A Chimney Top
- B Side Wire Birdguard Screens
- C End Wire Birdguard Screens
- D Braces
- E Side Mounting Bands
- F End Mounting Bands
- G Corners
- H Bag of 1 3/4" Hexhead Bolts & Nuts
- I Bag of 3/8" Bolts & Nuts
- J Bag of Twist Ties



Assembly Instructions For Chimney Cover



1. Place the four band pieces into the inverted top. Match marks on the bands with the marks on the inverted top. Band flanges **MUST** be facing out with predrilled holes nearest the inverted top.

2. Attach the braces to the bands using 3/8" bolts and nuts. After each brace/band unit is assembled place it back in the inverted top until all braces and bands are assembled.

IMPORTANT

Be sure all braces are fastened to the inside of bands and that the flanges on bands are facing out from chimney cover.

3. Next attach band/brace assembly to inverted top as shown, using 3/8" bolts and nuts. Make certain the marks on bands match marks on inverted top. The bolthead should be to the outside of band (flange side) and top of cover.

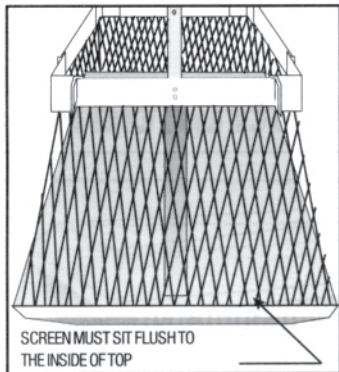
4. Attach the four adjustable corner pieces as shown using sixteen 1 3/4" hexhead bolts and nuts.

IMPORTANT

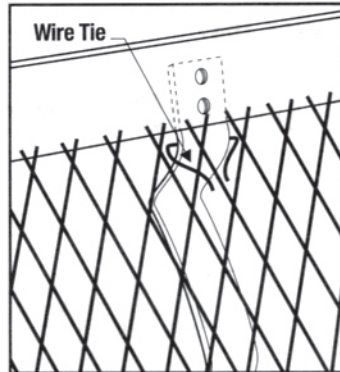
Make certain the boltheads are facing out (toward corners as illustrated). This will aid in the final installation of the assembled unit. Also, for easier final installation **do not completely tighten down the bolts and nuts on the corner pieces.**

(continued on other side)

Birdguard Assembly Instructions And Installation Instructions



5. With the partially assembled chimney cover still upside/down, place the end screen pieces into position as shown. Make sure they are centered. The screen fits to the OUTSIDE of the braces & bands, snug against the underneath side of top and flush with the outside of the bands.



6. With end screen pieces in the correct position, attach the screen at the top and bottom of each brace with supplied wire twist ties by threading the wire behind the brace and back through the screen, then tighten by twisting. Now repeat Step 5 and Step 6 for the side pieces.

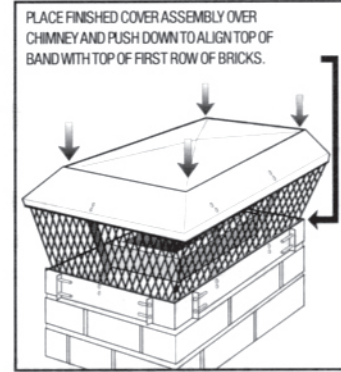
TIP

For easier threading of twist ties through screens, bend twist ties into a "U" shape. Insert the "U" shaped tie from the inside of chimney cover behind braces and around at least one piece of screen. Use fingers or needle nose pliers to pull tight and twist securely.



7. To fasten corners together, twist extra tie wires around and through overlapping ends of screens. One or two twist ties per corner is adequate.

Use the additional wire ties to secure the screen to the band by slipping the ties through the single holes in the band and around the screen.



8. Set the fully assembled chimney cover atop chimney. The top of the 2 1/4" band should be level with the top of the first row of bricks on the chimney. There should be a minimum of six inches of space between the top of the flue tile and the inside top of the chimney cover to allow for adequate exhaust.

Lastly, tighten all bolts in corner pieces until band is snug on all sides of the chimney.

Save these instructions for future reference on care and chimney maintenance.

CAUTION

SAFETY RECOMMENDATION ON GOOD VENTING PRACTICE. READ CAREFULLY.

1. Before the chimney cover is installed, your chimney should be inspected to be sure your chimney has been constructed properly. It needs to be the proper size and height for what you are venting to provide an adequate draft. This inspection will assure that the flue is not in need of repair and is clear of any obstructions. Bird, squirrel, or animal nests, tree limbs, leaves, fallen brick or tile lining all could cause hazardous conditions. The vent pipe leading from the furnace to the chimney should also be thoroughly checked for deterioration, blockage and/or soot accumulation. We recommend a Certified Chimney Sweep, Gas Company, or Furnace Company to perform this safety inspection.

2. When wood burning units are being vented, the chimney should be visually checked as often as every few days. If the cover or screen appears to be sooty or dirty, it follows that the inside of the flue is also dirty. A buildup inside the chimney could cause a **CHIMNEY FIRE**. The cause of this buildup may be a slow draft or the type of wood that is being burned. In this case, contact your local Certified Chimney Sweep to inspect and clean the flue and suggest steps to minimize further buildup in the future.

3. If you are venting a gas or oil furnace/heater, **EXTREME CAUTION** should be taken when temperatures fall below freezing. Visually check the chimney cover daily for possible frost, snow, freezing rain, or ice buildup. If drafting properly, the heat from the escaping flue gases will prevent any frost buildup on the cover. However, improper burner settings or conditions, obstructions or restrictions that may develop in the furnace or the chimney, could cause the escaping flue gases to cool down. The cooling of these gases could cause a buildup of frost and ice on the cover. If this buildup condition occurs, call a Certified Furnace Company, Gas Company, or a Chimney Sweep, **AT ONCE**.

4. **CARBON MONOXIDE BUILDUP** in the house, due to a blockage in the chimney or an improper functioning furnace/heater, **MAY CAUSE DROWSINESS, HEADACHES, AND/OR NAUSEA**, in its early stages, warning of its presence. **CONTINUED EXPOSURE COULD BE FATAL**, if proper chimney venting is not established and maintained.